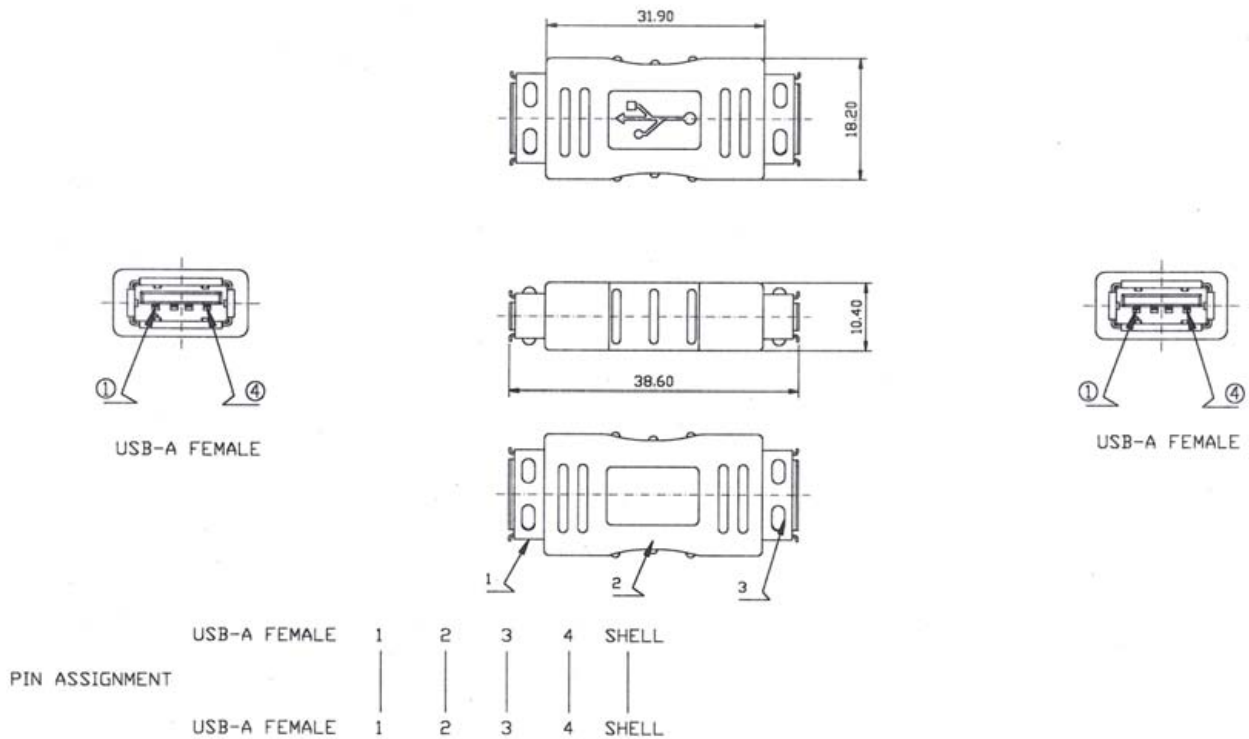


USB ADAPTER REV.1.1 AF/AF TYPE



	DESCRIPTION
1	USB-A TYPE FEMALE INSULATION: WHITE IN COLOR
2	PVC MOLDED WITH COPPER FOIL BEIGE IN COLOR
3	USB-A TYPE FEMALE INSULATION: WHITE IN COLOR
4	INTERNAL WIRES: UL1007 30AWG 7 STRANDED L: 17MM

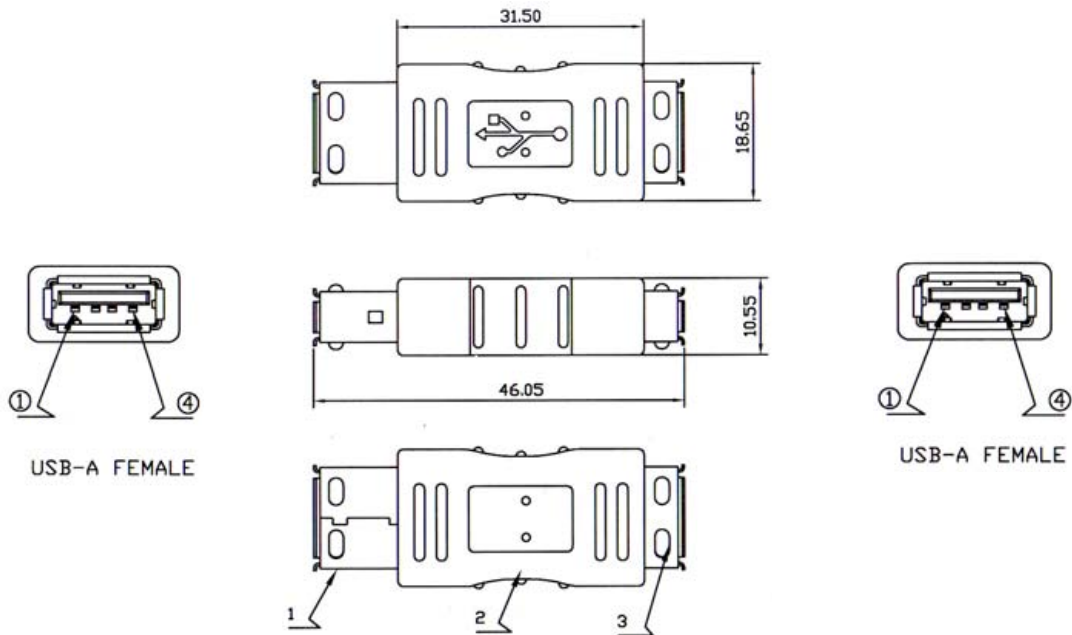
ORDERING INFORMATION:

P/N A D U $\frac{1}{1} - \frac{001}{2} \frac{V}{3}$

P/N REVISED

1. USB REVISION:
"1" REVISION 1.1
2. ADAPTER TYPE:
"001" USB A TYPE FEMALE TO
USB A TYPE FEMALE
3. INSULATOR COLOR:
"V" IVORY

USB ADAPTER REV.1.1 AF/AF TYPE WITH LED



AF		PIN ASSIGNMENT		AF		COLOR	
1	—	1	—	RED			
2	—	2	—	WHITE			
3	—	3	—	GREEN			
4	—	4	—	BLACK			
SHELL	—	SHELL	—	BRAID			

	DESCRIPTION
1	USB-A TYPE FEMALE INSULATION: WHITE IN COLOR
2	PVC MOLDED WITH TRANSPARENT IN COLOR
3	USB-A TYPE FEMALE INSULATION: WHITE IN COLOR
4	INTERNAL WIRES: UL1007 30AWG 7 STRANDED L: 17MM

ORDERING INFORMATION:

P/N A D U $\frac{1}{1} - \frac{002}{2} \frac{x}{3}$

P/N REVISED

1. USB REVISION:
"1" REVISION 1.1
2. ADAPTER CODE:
"002" USB A TYPE FEMALE TO
USB A TYPE FEMALE WITH LED
3. LED COLOR:
"R" RED LIGHT
"Y" YELLOW
"N" GREEN
"U" BLUE
"W" WHITE

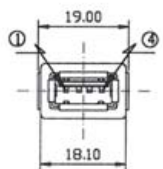
USB ADAPTER REV.1.1 AF/AM TYPE

SPECIFICATIONS

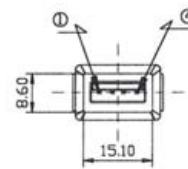
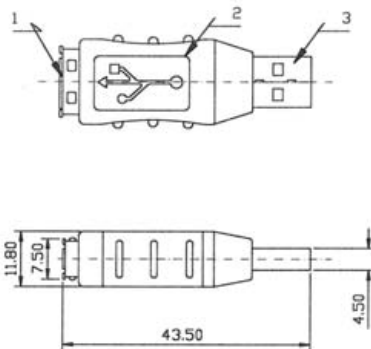
Insulation Resistance: 10M Ohm

Contact Resistance: 100 Ohm

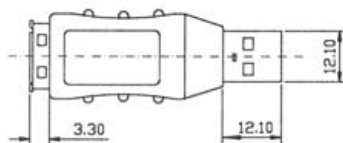
*RoHS & REACH compliant.



USB-A FEMALE



USB-A MALE



	USB-A FEMALE	1	2	3	4	SHELL
PIN ASSIGNMENT						
	USB-A MALE	1	2	3	4	SHELL

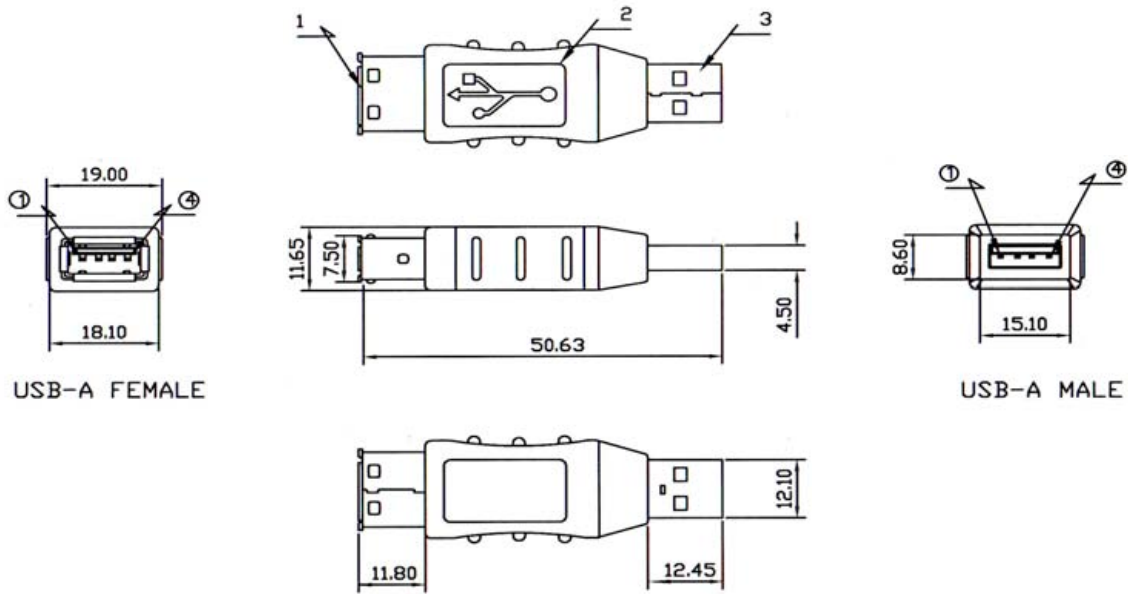
ORDERING INFORMATION:

P/N A D U $\frac{1}{1} - \frac{003}{2} \frac{V}{3}$

P/N REVISED

1. USB REVISION:
"1" REVISION 1.1
2. ADAPTER TYPE:
"003" USB A TYPE FEMALE TO
USB A TYPE MALE
3. INSULATOR COLOR:
"V" IVORY

USB ADAPTER REV.1.1 AF/AM TYPE WITH LED



PIN ASSIGNMENT

AM	AF	COLOR
1	1	RED
2	2	WHITE
3	3	GREEN
4	4	BLACK
SHELL	SHELL	BRAID

LED circuit diagram: A resistor labeled R:330Ω is connected in series with an LED between the RED and BLACK lines.

	DESCRIPTION
1	USB-A TYPE FEMALE INSULATION: WHITE IN COLOR
2	PVC MOLDED WITH TRANSPARENT IN COLOR
3	USB-A TYPE MALE INSULATION: WHITE IN COLOR
4	INTERNAL WIRES UL1007 30AWG 7 STRANDED L: 17MM

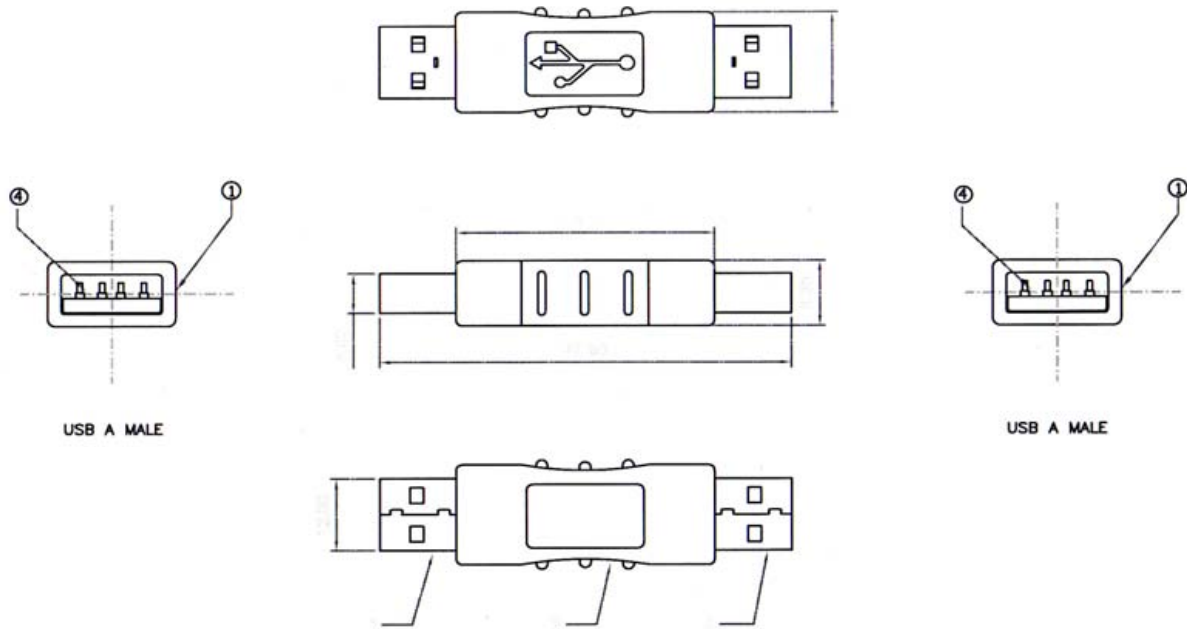
ORDERING INFORMATION:

P/N A D U $\frac{1}{1} - \frac{004}{2} \frac{x}{3}$

P/N REVISED

1. USB REVISION:
"1" REVISION 1.1
2. ADAPTER CODE:
"004" USB A TYPE FEMALE TO
USB A TYPE MALE WITH LED
3. LED COLOR:
"R" RED LIGHT
"Y" YELLOW
"N" GREEN
"U" BLUE
"W" WHITE

USB ADAPTER REV.1.1 AM/AM TYPE



	USB-A MALE	1	2	3	4	SHELL
PIN ASSIGNMENT						
	USB-A MALE	1	2	3	4	SHELL

	DESCRIPTION
1	USB-A TYPE MALE INSULATION: WHITE IN COLOR
2	PVC MOLDED WITH COPPER FOIL BEIGE IN COLOR
3	USB-A TYPE MALE INSULATION: WHITE IN COLOR
4	INTERNAL WIRES UL1007 30AWG 7 STRANDED L: 17MM

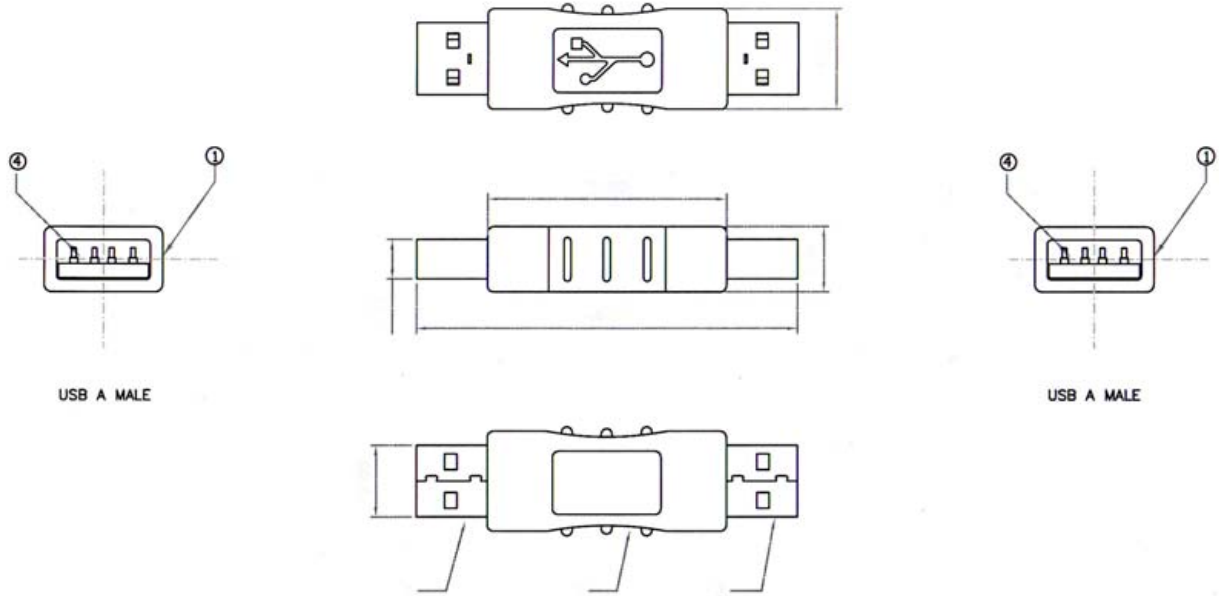
ORDERING INFORMATION:

P/N A D U $\frac{1}{1} - \frac{005}{2} \frac{V}{3}$

P/N REVISED

1. USB REVISION:
"1" REVISION 1.1
2. ADAPTER CODE:
"005" USB A TYPE MALE TO
USB A TYPE MALE
3. INSULATOR COLOR:
"V" IVORY

USB ADAPTER REV.1.1 AM/AM TYPE WITH LED



USB A MALE

USB A MALE

PIN ASSIGNMENT

AM		AM		COLOR	
1	—	1	—	RED	
2	—	2	—	WHITE	
3	—	3	—	GREEN	
4	—	4	—	BLACK	
SHELL	—	SHELL	—	BRAID	

	DESCRIPTION
1	USB-A TYPE MALE INSULATION: WHITE IN COLOR
2	PVC MOLDED WITH TRANSPARENT IN COLOR
3	USB-A TYPE MALE INSULATION: WHITE IN COLOR
4	INTERNAL WIRES UL1007 30AWG 7 STRANDED L: 17MM

ORDERING INFORMATION:

P/N A D U $\frac{1}{1} - \frac{006}{2} \frac{x}{3}$

P/N REVISED

1. USB REVISION:
"1" REVISION 1.1
2. ADAPTER CODE:
"006" USB A TYPE MALE TO
USB A TYPE MALE WITH LED
3. LED COLOR:
"R" RED LIGHT
"Y" YELLOW
"N" GREEN
"U" BLUE
"W" WHITE

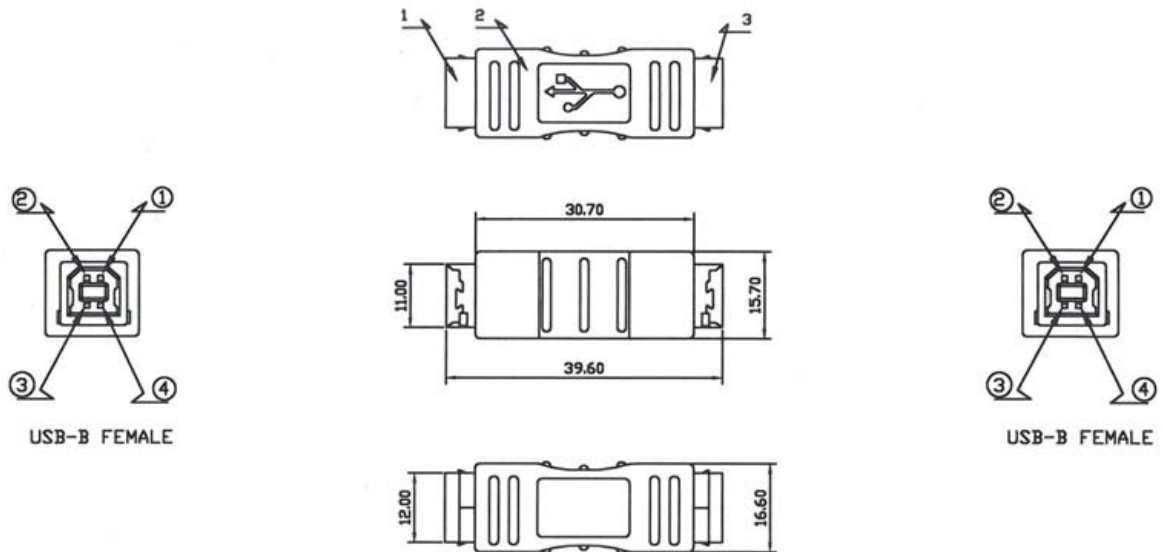
USB ADAPTER REV.1.1 BF/BF TYPE

SPECIFICATIONS

Insulation Resistance: 10M Ohm

Contact Resistance: 100 Ohm

*RoHS & REACH compliant.



	USB-B FEMALE	1	2	3	4	SHELL
PIN ASSIGNMENT						
	USB-B FEMALE	1	2	3	4	SHELL

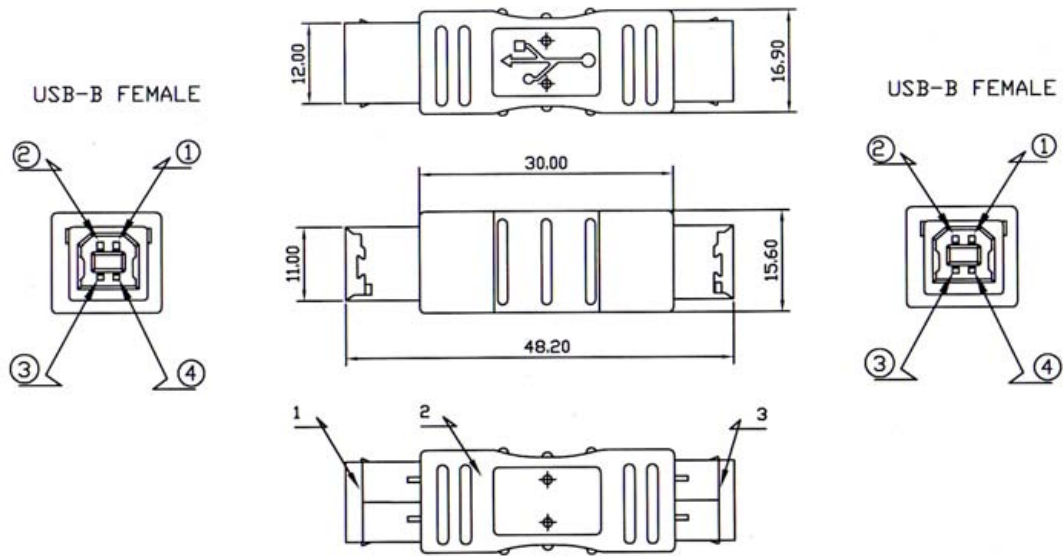
ORDERING INFORMATION:

P/N A D U 1 - 007 V
1 2 3

P/N REVISED

1. USB REVISION:
"1" REVISION 1.1
2. ADAPTER TYPE:
"007" USB B TYPE FEMALE TO
USB B TYPE FEMALE
3. INSULATOR COLOR:
"V" IVORY

USB ADAPTER REV.1.1 BF/BF TYPE WITH LED



BF		PIN ASSIGNMENT		BF		COLOR	
1	—	1	—	RED			
2	—	2	—	WHITE			
3	—	3	—	GREEN			
4	—	4	—	BLACK			
SHELL		SHELL		BRAID			

	DESCRIPTION
1	USB-B TYPE FEMALE INSULATION: WHITE IN COLOR
2	PVC MOLDED WITH TRANSPARENT IN COLOR
3	USB-B TYPE FEMALE INSULATION: WHITE IN COLOR
4	INTERNAL WIRES: UL1007 30AWG 7 STRANDED L: 17MM

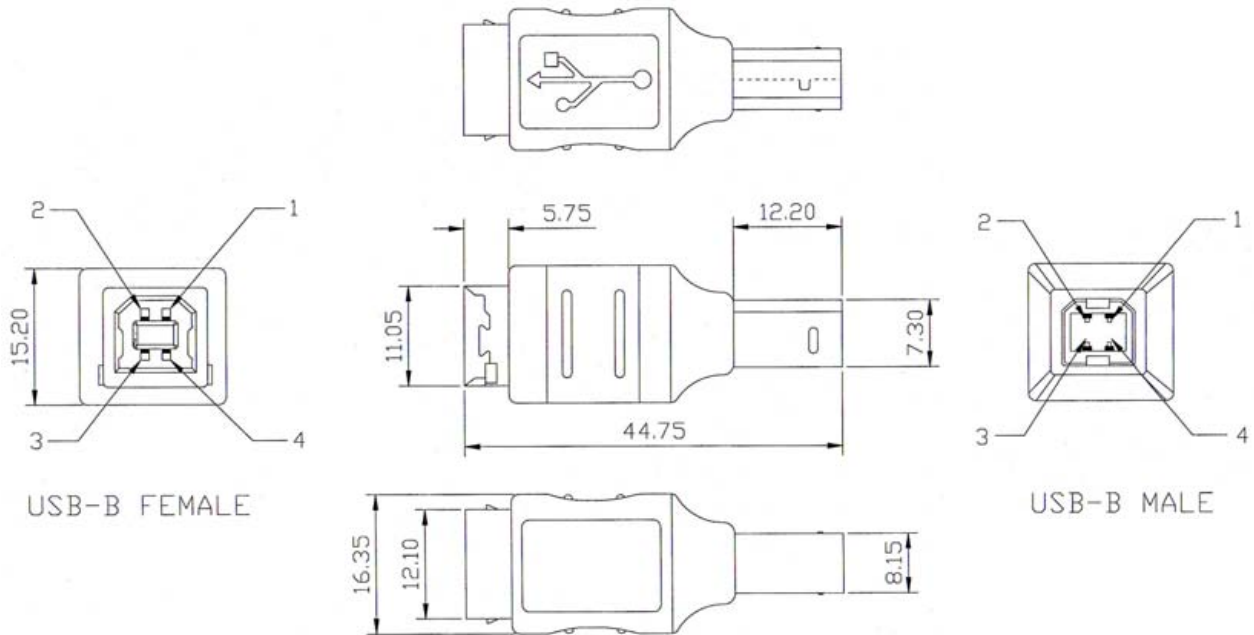
ORDERING INFORMATION:

P/N A D U $\frac{1}{1} - \frac{008}{2} \frac{x}{3}$

P/N REVISED

1. USB REVISION:
"1" REVISION 1.1
2. ADAPTER CODE:
"008" USB B TYPE FEMALE TO
USB B TYPE FEMALE WITH LED
3. LED COLOR:
"R" RED LIGHT
"Y" YELLOW
"N" GREEN
"U" BLUE
"W" WHITE

USB ADAPTER REV.1.1 BF/BM TYPE



	USB-B FEMALE	1	2	3	4	SHELL
PIN ASSIGNMENT						
	USB-B MALE	1	2	3	4	SHELL

	DESCRIPTION
1	USB-B TYPE FEMALE INSULATION: WHITE IN COLOR
2	PVC MOLDED BEIGE IN COLOR
3	USB-B TYPE MALE INSULATION: WHITE IN COLOR
4	INTERNAL WIRES: UL1007 30AWG

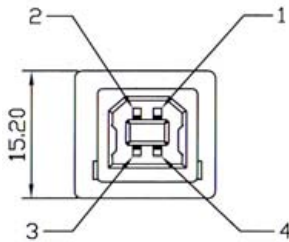
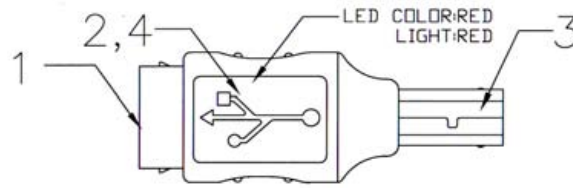
ORDERING INFORMATION:

P/N A D U $\frac{1}{1} - \frac{009}{2} \frac{V}{3}$

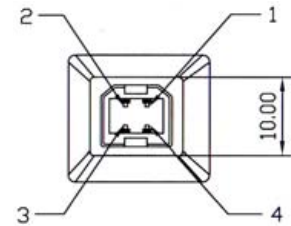
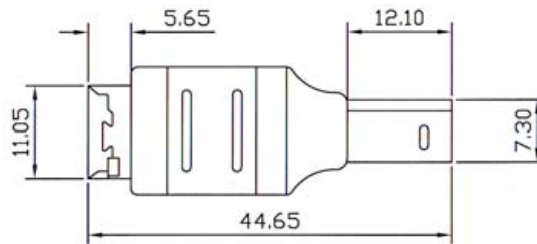
P/N REVISED

1. USB REVISION:
"1" REVISION 1.1
2. ADAPTER CODE:
"009" USB B TYPE FEMALE TO
USB B TYPE MALE
3. INSULATOR COLOR:
"V" IVORY

USB ADAPTER REV.1.1 BF/BM TYPE WITH LED



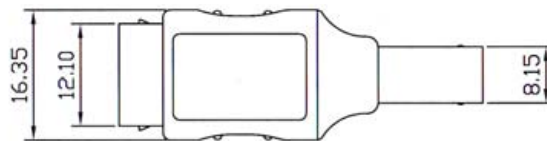
USB-B FEMALE



USB-B MALE

PIN ASSIGNMENT

BM		BF	
1	—	1	
2	—	2	
3	—	3	
4	—	4	
SHELL	—	SHELL	



	DESCRIPTION
1	USB B TYPE FEMALE SHELL PLATED: NICKEL CONTACT: G/F
2	55P PVC MOLD TRANSPARENT IN COLOR
3	USB B TYPE MALE SHELL PLATED: NICKEL CONTACT: G/F
4	INTERNAL WIRES: UL1007 30AWG

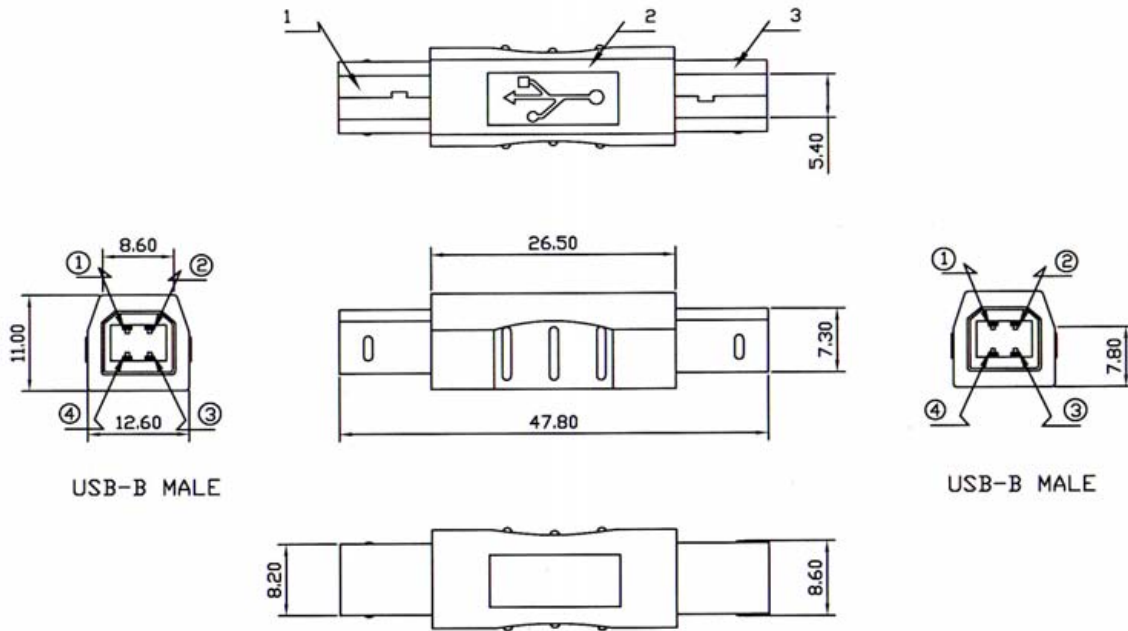
ORDERING INFORMATION:

P/N A D U $\frac{1}{1} - \frac{010}{2} \frac{x}{3}$

P/N REVISED

1. USB REVISION:
"1" REVISION 1.1
2. ADAPTER CODE:
"010" USB B TYPE FEMALE TO
USB B TYPE MALE WITH LED
3. LED COLOR:
"R" RED LIGHT
"Y" YELLOW
"N" GREEN
"U" BLUE
"W" WHITE

USB ADAPTER REV.1.1 BM/BM TYPE



	USB-B MALE	1	2	3	4	SHELL
PIN ASSIGNMENT						
	USB-B MALE	1	2	3	4	SHELL

	DESCRIPTION
1	USB-B TYPE MALE INSULATION: WHITE IN COLOR
2	PVC MOLDED WITH COPPER FOIL BEIGE IN COLOR
3	USB-B TYPE MALE INSULATION: WHITE IN COLOR
4	INTERNAL WIRES: UL1007 30AWG 7 STRANDED L: 17MM

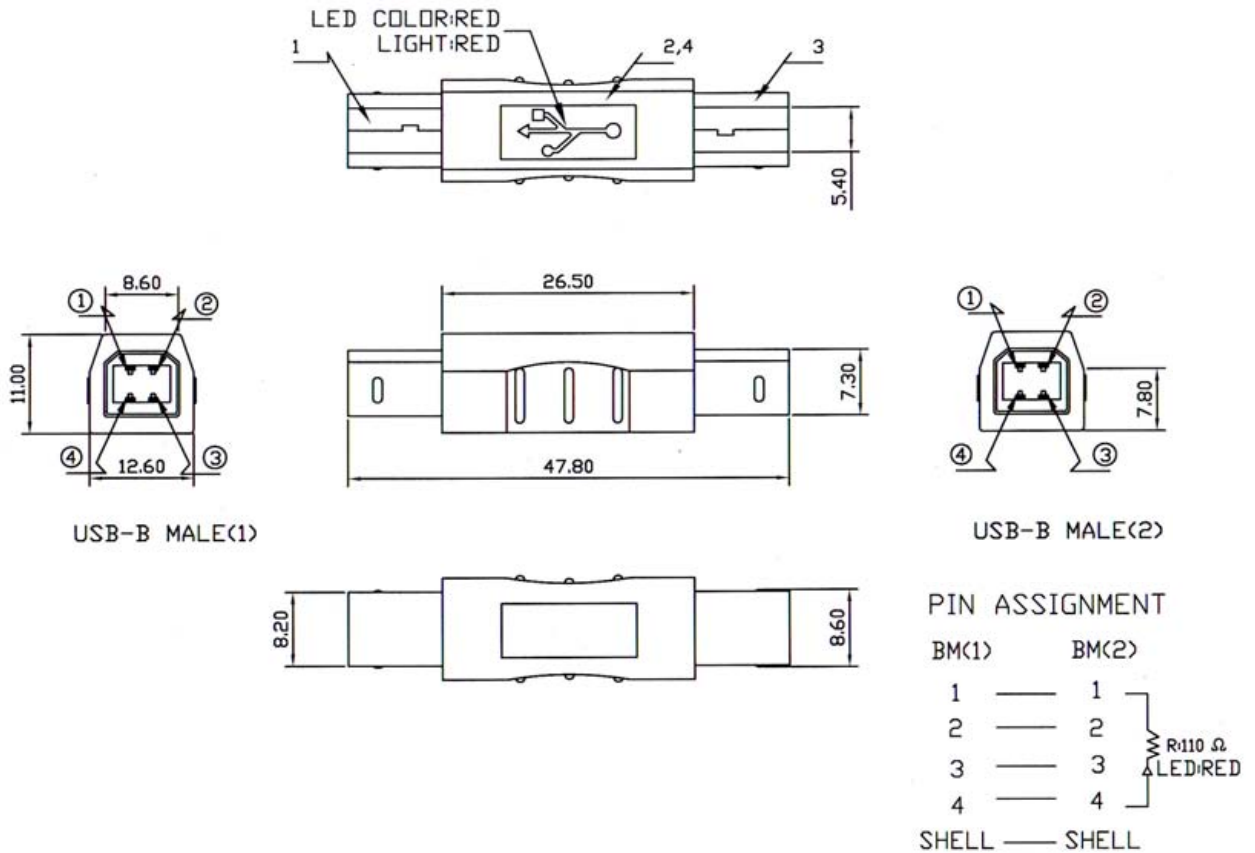
ORDERING INFORMATION:

P/N A D U 1 - 011 V
1 2 3

P/N REVISED

1. USB REVISION:
"1" REVISION 1.1
2. ADAPTER CODE:
"011" USB B TYPE MALE TO
USB B TYPE MALE
3. INSULATOR COLOR:
"V" IVORY

USB ADAPTER REV.1.1 BM/BM TYPE WITH LED



	DESCRIPTION
1	USB B TYPE MALE SHELL PLATED: NICKEL CONTACT: G/F
2	55P PVC MOLD TRANSPARENT IN COLOR
3	USB B TYPE MALE SHELL PLATED: NICKEL CONTACT: G/F
4	INTERNAL WIRES: UL1007 30AWG 7 STRANDED L: 17MM

ORDERING INFORMATION:

P/N A D U $\frac{1}{1} - \frac{012}{2} \frac{x}{3}$

P/N REVISED

1. USB REVISION:
"1" REVISION 1.1
2. ADAPTER CODE:
"012" USB B TYPE MALE TO
USB B TYPE MALE WITH LED
3. LED COLOR:
"R" RED LIGHT
"Y" YELLOW
"N" GREEN
"U" BLUE
"W" WHITE

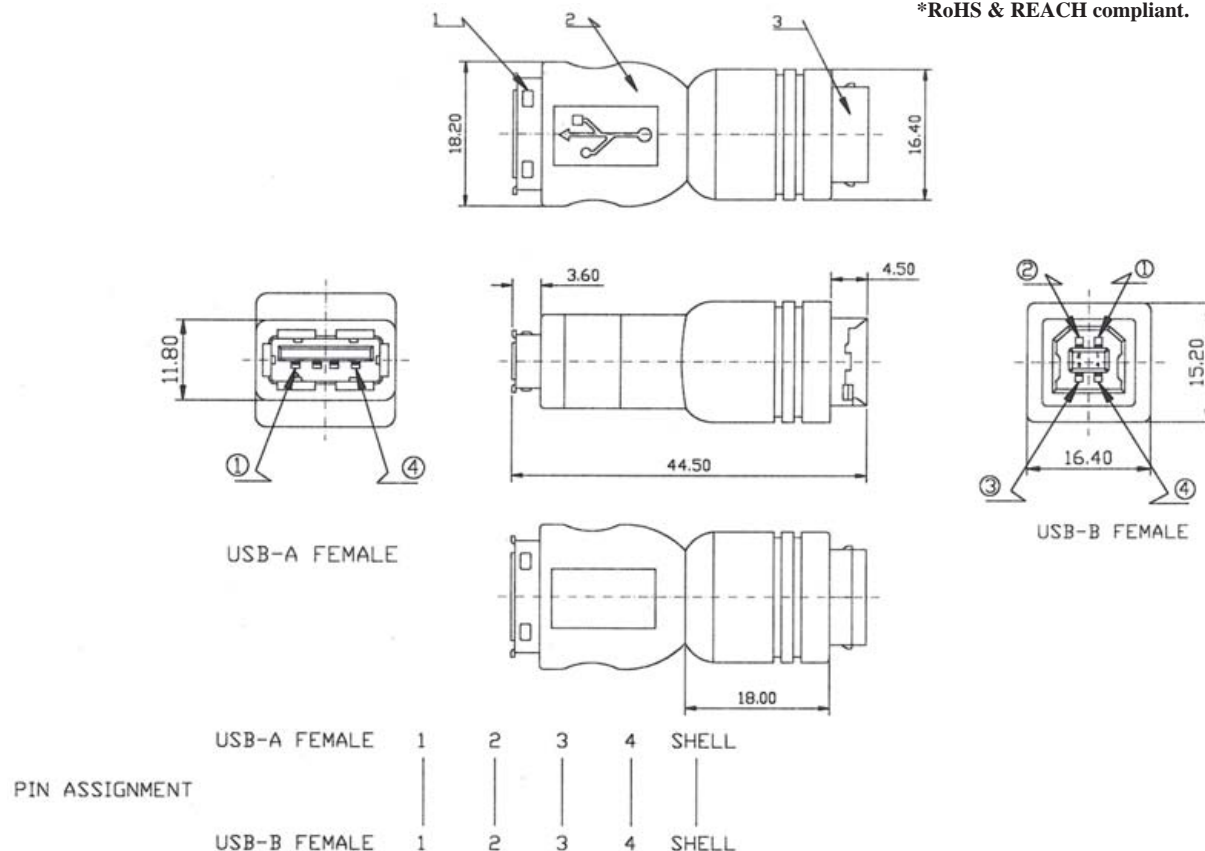
USB ADAPTER REV.1.1 AF/BF TYPE

SPECIFICATIONS

Insulation Resistance: 10M Ohm

Contact Resistance: 100 Ohm

*RoHS & REACH compliant.



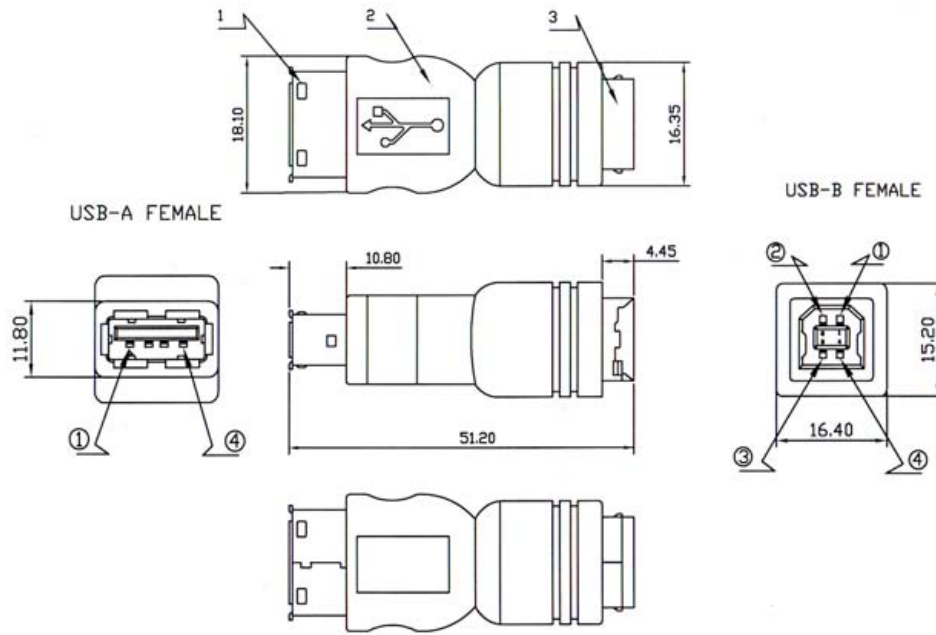
ORDERING INFORMATION:

P/N A D U 1 - 013 V

P/N REVISED

1. USB REVISION:
"1" REVISION 1.1
2. ADAPTER TYPE:
"013" USB A TYPE FEMALE TO
USB B TYPE FEMALE
3. INSULATOR COLOR:
"V" IVORY

USB ADAPTER REV.1.1 AF/BF TYPE WITH LED



PIN ASSIGNMENT

AF	BF	COLOR
1	1	RED
2	2	WHITE
3	3	GREEN
4	4	BLACK
SHELL	SHELL	BRAID

LED circuit diagram: A resistor (R: 330Ω) is connected in series with the LED between pins 3 and 4.

	DESCRIPTION
1	USB-A TYPE FEMALE INSULATION: WHITE IN COLOR
2	PVC MOLDED WITH TRANSPARENT IN COLOR
3	USB-B TYPE FEMALE INSULATION: WHITE IN COLOR
4	INTERNAL WIRES: UL1007 30AWG 7 STRANDED L: 17MM

ORDERING INFORMATION:

P/N A D U $\frac{1}{1} - \frac{014}{2} \frac{x}{3}$

P/N REVISED

- USB REVISION:
"1" REVISION 1.1
- ADAPTER CODE:
"014" USB A TYPE FEMALE TO
USB B TYPE FEMALE WITH LED
- LED COLOR:
"R" RED LIGHT
"Y" YELLOW
"N" GREEN
"U" BLUE
"W" WHITE

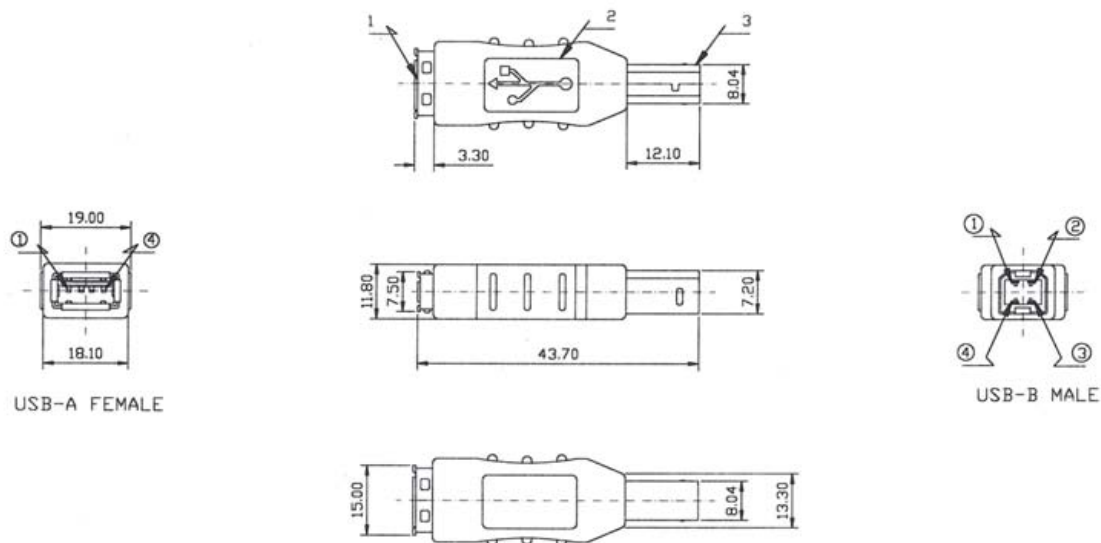
USB ADAPTER REV.1.1 AF/BM TYPE

SPECIFICATIONS

Insulation Resistance: 10M Ohm

Contact Resistance: 100 Ohm

*RoHS & REACH compliant.



	USB-A FEMALE	1	2	3	4	SHELL
PIN ASSIGNMENT						
	USB-B MALE	1	2	3	4	SHELL

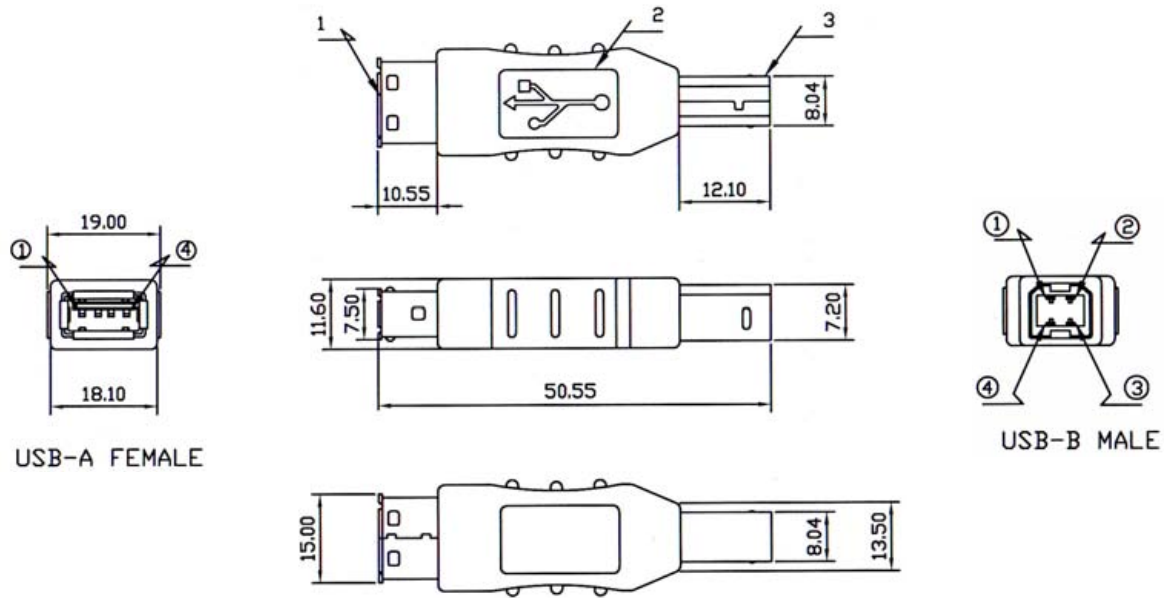
ORDERING INFORMATION:

P/N A D U $\frac{1}{1} - \frac{015}{2} \frac{V}{3}$

P/N REVISED

1. USB REVISION:
"1" REVISION 1.1
2. ADAPTER TYPE:
"015" USB A TYPE FEMALE TO
USB B TYPE MALE
3. INSULATOR COLOR:
"V" IVORY

USB ADAPTER REV.1.1 AF/BM TYPE WITH LED



PIN ASSIGNMENT

AF	BM	COLOR
1	1	RED
2	2	WHITE
3	3	GREEN
4	4	BLACK
SHELL	SHELL	BRAID

R:330Ω
LED

	DESCRIPTION
1	USB-A TYPE FEMALE INSULATION: WHITE IN COLOR
2	PVC MOLDED WITH TRANSPARENT IN COLOR
3	USB-B TYPE MALE INSULATION: WHITE IN COLOR
4	INTERNAL WIRES: UL1007 30AWG 7 STRANDED L: 17MM

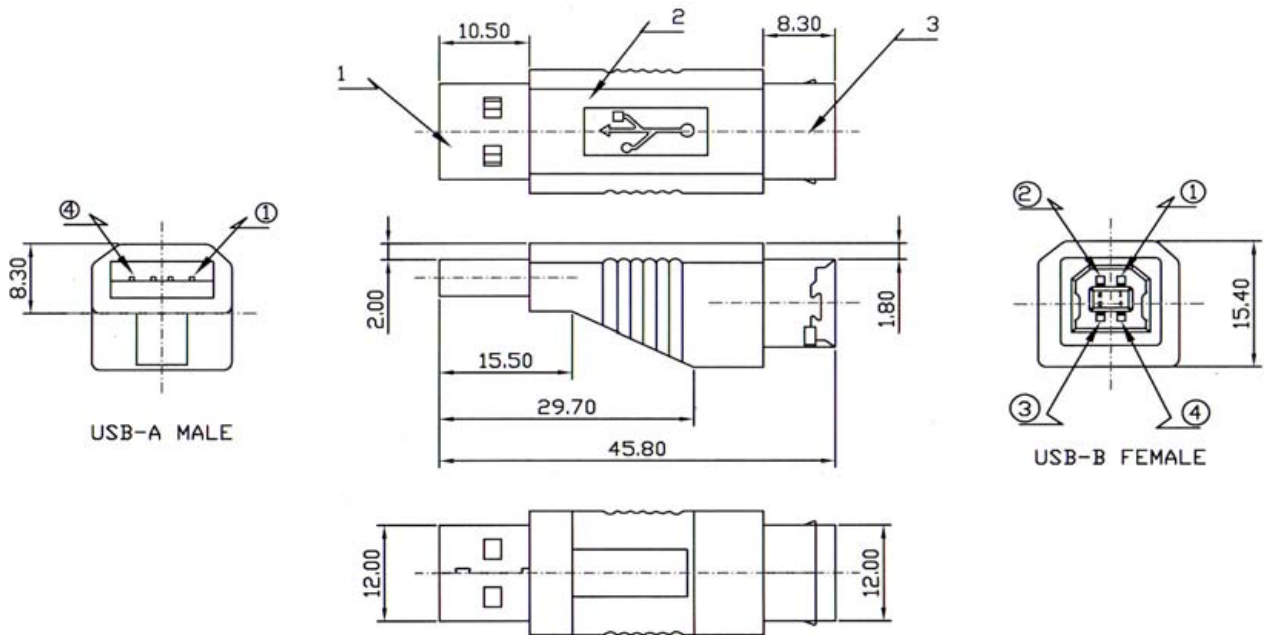
ORDERING INFORMATION:

P/N A D U $\frac{1}{1} - \frac{016}{2} \frac{x}{3}$

P/N REVISED

1. USB REVISION:
"1" REVISION 1.1
2. ADAPTER CODE:
"016" USB A TYPE FEMALE TO
USB B TYPE MALE WITH LED
3. LED COLOR:
"R" RED LIGHT
"Y" YELLOW
"N" GREEN
"U" BLUE
"W" WHITE

USB ADAPTER REV.1.1 AM/BF TYPE



	1	2	3	4	SHELL
USB-A MALE	1	2	3	4	SHELL
PIN ASSIGNMENT					
USB-B FEMALE	1	2	3	4	SHELL

	DESCRIPTION
1	USB-A TYPE MALE INSULATION: WHITE IN COLOR
2	PVC MOLDED WITH COPPER FOIL BEIGE IN COLOR
3	USB-B TYPE FEMALE INSULATION: WHITE IN COLOR
4	INTERNAL WIRES: UL1007 30AWG 7 STRANDED L: 17MM

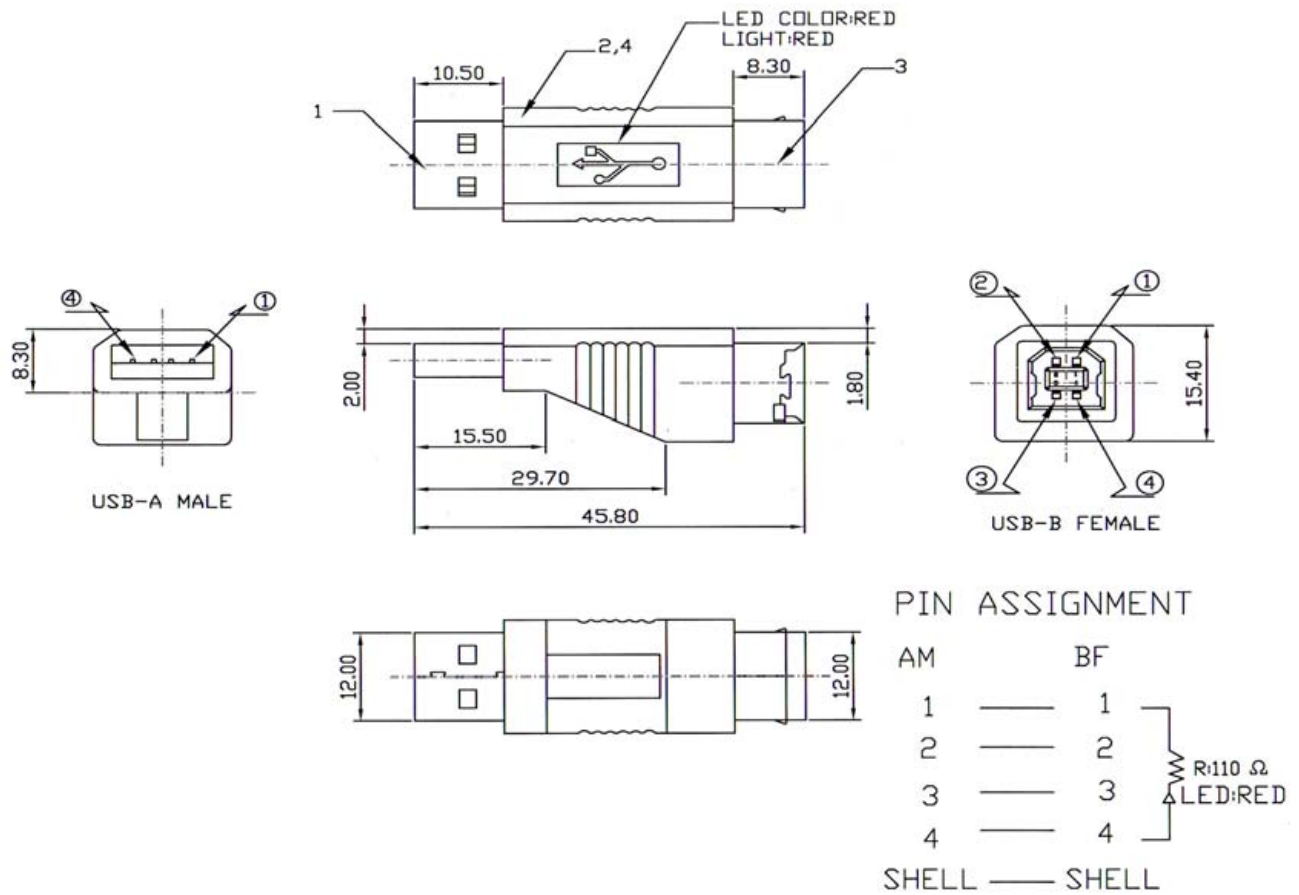
ORDERING INFORMATION:

P/N A D U $\frac{1}{1} - \frac{017}{2} \frac{V}{3}$

P/N REVISED

1. USB REVISION:
"1" REVISION 1.1
2. ADAPTER CODE:
"017" USB A TYPE MALE TO
USB B TYPE FEMALE
3. INSULATOR COLOR:
"V" IVORY

USB ADAPTER REV.1.1 AM/BF TYPE WITH LED



	DESCRIPTION
1	USB A TYPE MALE SHELL PLATED: NICKEL CONTACT: G/F
2	55P PVC MOLD TRANSPARENT IN COLOR
3	USB B TYPE FEMALE SHELL PLATE: NICKEL CONTACT: G/F
4	INTERNAL WIRES: UL1007 30AWG 7 STRANDED L: 17MM

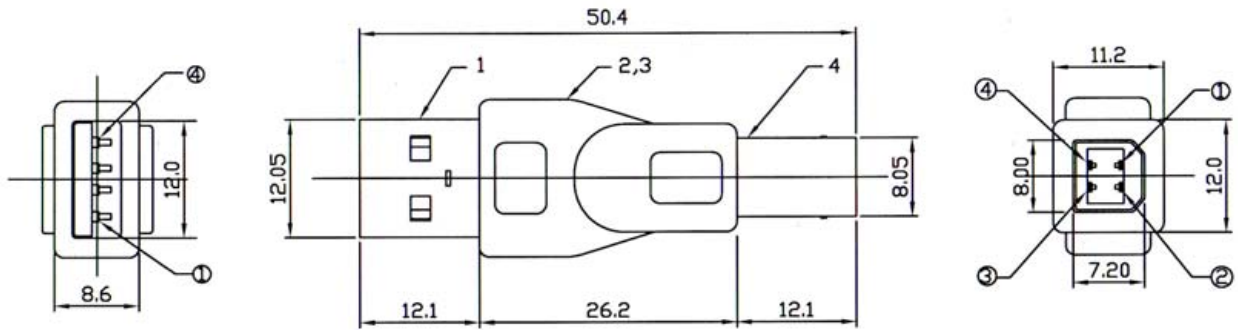
ORDERING INFORMATION:

P/N A D U $\frac{1}{1} - \frac{018}{2} \frac{x}{3}$

P/N REVISED

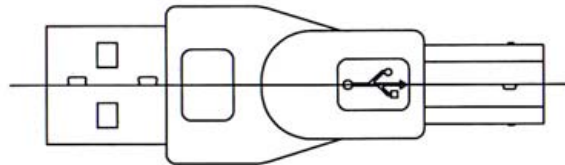
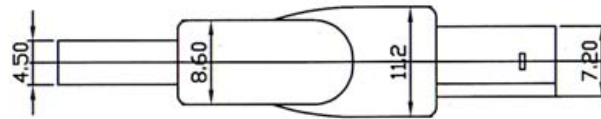
1. USB REVISION:
"1" REVISION 1.1
2. ADAPTER CODE:
"018" USB A TYPE MALE TO
USB B TYPE FEMALE WITH LED
3. LED COLOR:
"R" RED LIGHT
"Y" YELLOW
"N" GREEN
"U" BLUE
"W" WHITE

USB ADAPTER REV.1.1 AM/BM TYPE



USB A MALE

USB B MALE



USB-A MALE	1	2	3	4	SHELL
PIN ASSIGNMENT					
USB-B MALE	1	2	3	4	SHELL

	DESCRIPTION
1	USB-A TYPE MALE INSULATION: WHITE IN COLOR GOLD FLASH
2	PVC MOLDED BEIGE IN COLOR
3	WIRE: UL1007 30AWG L: 17MM BLACK IN COLOR
4	USB-B TYPE MALE INSULATION: WHITE IN COLOR GOLD FLASH

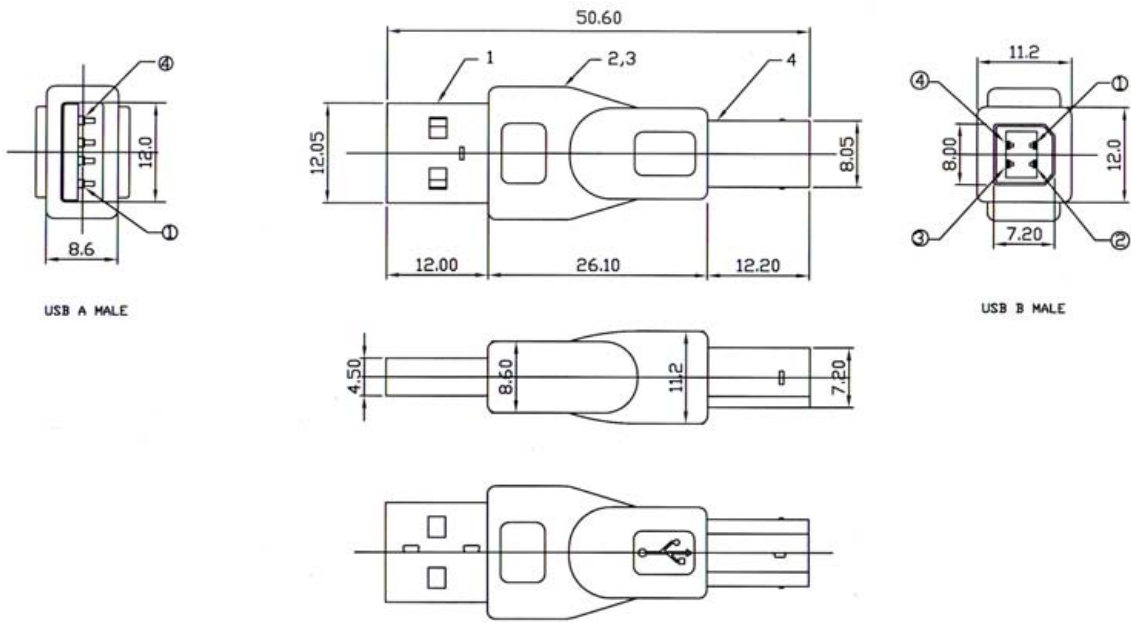
ORDERING INFORMATION:

P/N A D U $\frac{1}{1} - \frac{019}{2} \frac{V}{3}$

P/N REVISED

1. USB REVISION:
"1" REVISION 1.1
2. ADAPTER CODE:
"019" USB A TYPE MALE TO
USB B TYPE MALE
3. INSULATOR COLOR:
"V" IVORY

USB ADAPTER REV.1.1 AM/BM TYPE WITH LED



PIN ASSIGNMENT

AM	BM	COLOR
1	1	RED
2	2	WHITE
3	3	GREEN
4	4	BLACK
SHELL	SHELL	BRAID



	DESCRIPTION
1	USB-A TYPE MALE INSULATION : WHITE IN COLOR GOLD FLASH
2	PVC MOLDED TRANSPARENT IN COLOR
3	WIRE: UL1007 30AWG L: 17MM BLACK IN COLOR
4	USB-B TYPE MALE INSULATION: WHITE IN COLOR GOLD FLASH

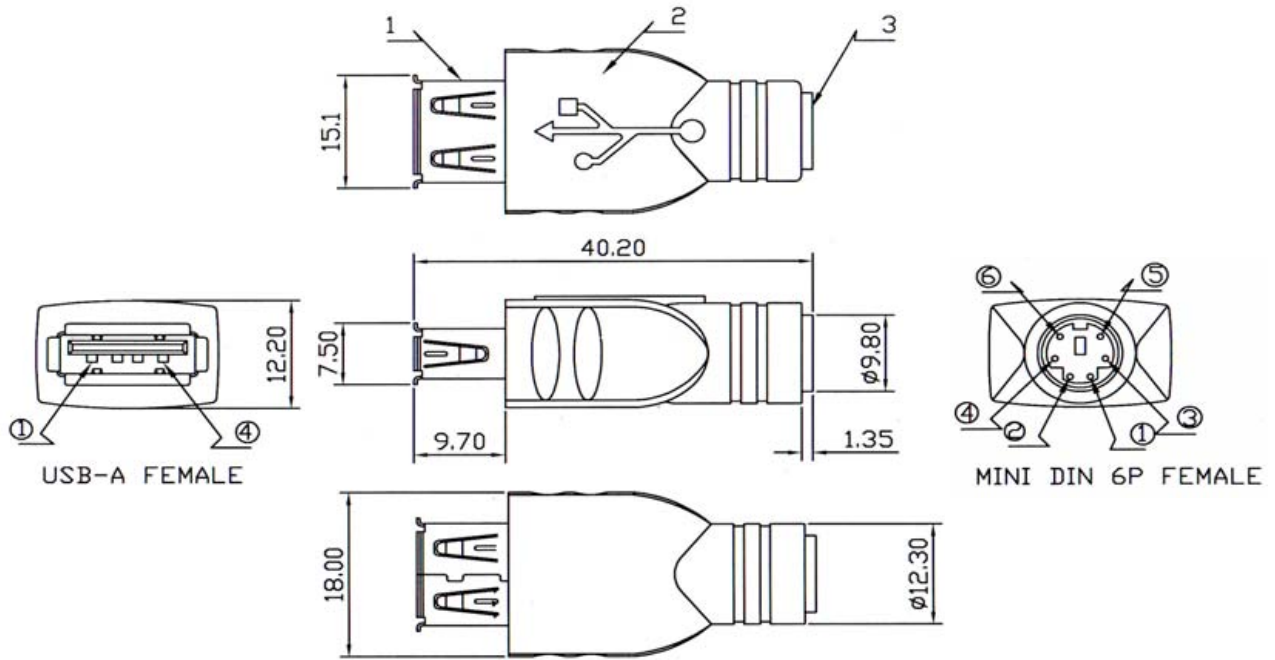
ORDERING INFORMATION:

P/N A D U $\frac{1}{1} - \frac{020}{2} \frac{x}{3}$

P/N REVISED

1. USB REVISION:
"1" REVISION 1.1
2. ADAPTER CODE:
"020" USB A TYPE MALE TO
USB B TYPE MALE WITH LED
3. LED COLOR:
"R" RED LIGHT
"Y" YELLOW
"N" GREEN
"U" BLUE
"W" WHITE

USB ADAPTER REV.1.1 AF/MD6F TYPE



	USB-A FEMALE	2	4	1	3	SHELL
PIN ASSIGNMENT						
	MINI DIN 6P FEMALE	1	3	4	5	SHELL

	DESCRIPTION
1	USB-A TYPE FEMALE INSULATION: BEIGE IN COLOR
2	PVC MOLDED BLACK IN COLOR
3	MINI DIN 6P FEMALE INSULATION: BLACK IN COLOR

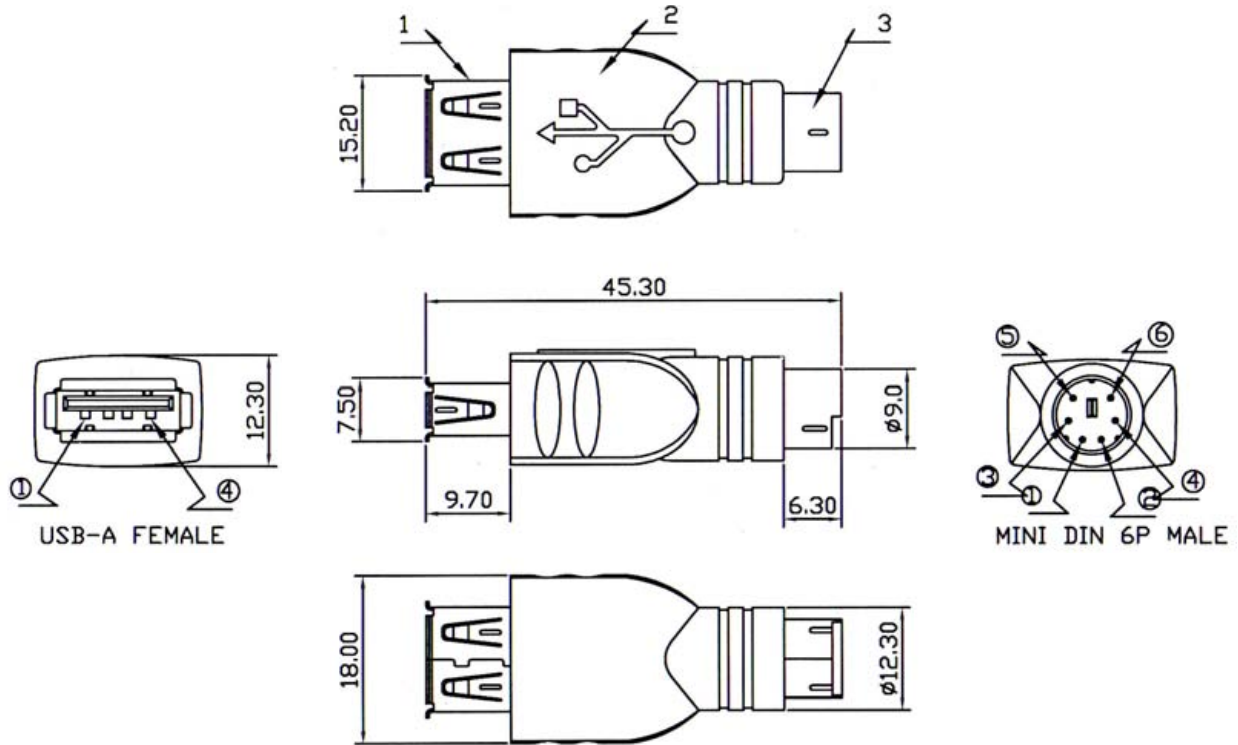
ORDERING INFORMATION:

P/N A D U 1 - 021 B
1 2 3

P/N REVISED

1. USB REVISION:
"1" REVISION 1.1
2. ADAPTER CODE:
"021" USB A TYPE FEMALE TO
MINI DIN 6 PIN FEMALE
3. INSULATOR COLOR:
"B" BLACK

USB ADAPTER REV.1.1 AF/MD6M TYPE



	USB-A FEMALE	2	4	1	3	SHELL
PIN ASSIGNMENT						
	MINI DIN 6P MALE	1	3	4	5	SHELL

	DESCRIPTION
1	USB-A TYPE FEMALE INSULATION: BEIGE IN COLOR
2	PVC MOLDED BLACK IN COLOR
3	MINI DIN 6P MALE INSULATION: BLACK IN COLOR

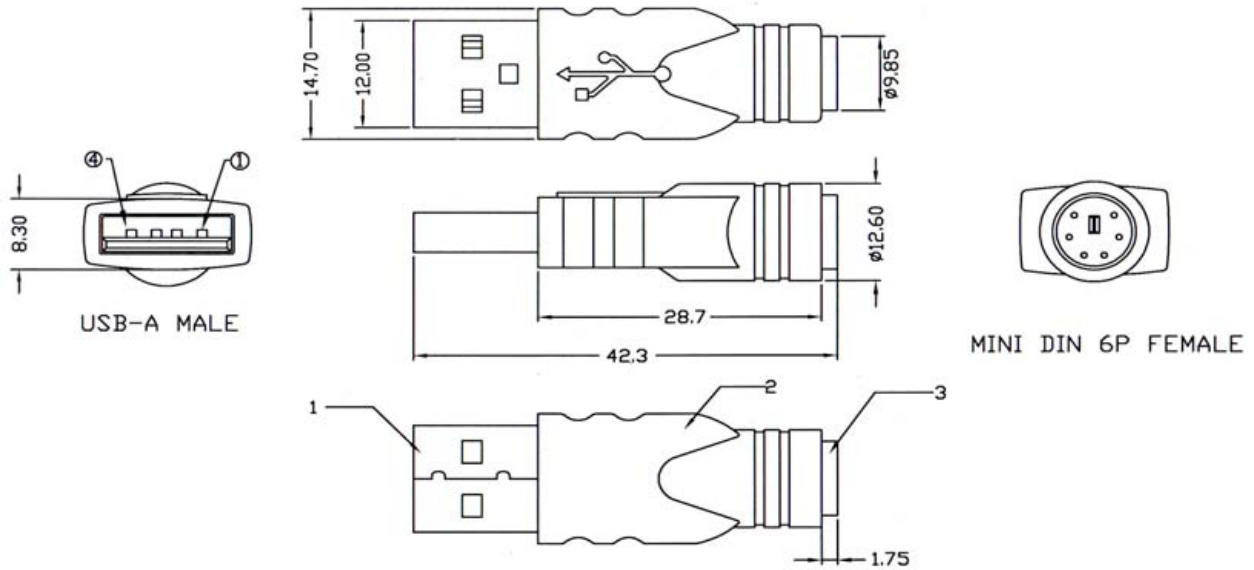
ORDERING INFORMATION:

P/N A D U 1 - 022 B

P/N REVISED

1. USB REVISION:
"1" REVISION 1.1
2. ADAPTER CODE:
"022" USB A TYPE FEMALE TO
MINI DIN 6 PIN MALE
3. INSULATOR COLOR:
"B" BLACK
"P" PURPLE

USB ADAPTER REV.1.1 AM/MD6F TYPE



	USB-A MALE	2	4	1	3	SHELL
PIN ASSIGNMENT						
	MINI DIN 6P FEMALE	1	3	4	5	SHELL

	DESCRIPTION
1	USB-A TYPE MALE INSULATION: WHITE IN COLOR
2	PVC MOLDED BLACK IN COLOR
3	MINI DIN 6P FEMALE INSULATION: BLACK IN COLOR

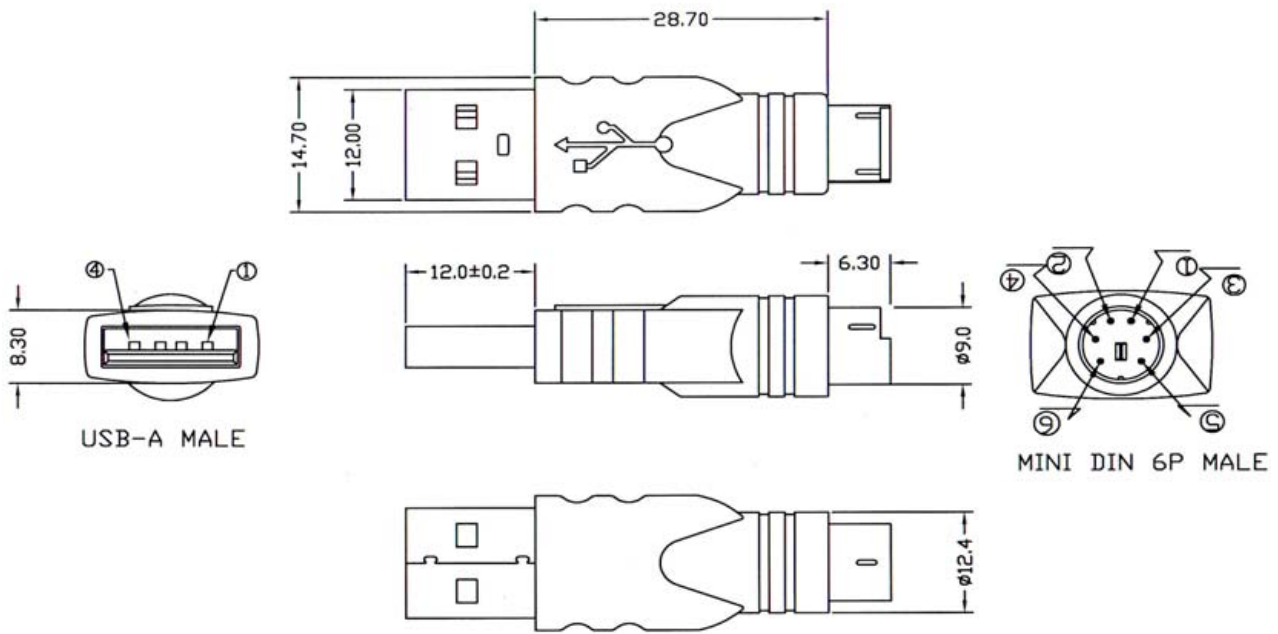
ORDERING INFORMATION:

P/N A D U 1 - 023 B

P/N REVISED

1. USB REVISION:
"1" REVISION 1.1
2. ADAPTER CODE:
"023" USB A TYPE MALE TO
MINI DIN 6 PIN FEMALE
3. INSULATOR COLOR:
"B" BLACK

USB ADAPTER REV.1.1 AM/MD6M TYPE



	USB-A MALE	2	4	1	3	SHELL
PIN ASSIGNMENT						
	MINI DIN 6P MALE	1	3	4	5	SHELL

	DESCRIPTION
1	USB-A TYPE MALE INSULATION: BEIGE IN COLOR
2	PVC MOLDED BLACK IN COLOR
3	MINI DIN 6P MALE INSULATION: BLACK IN COLOR

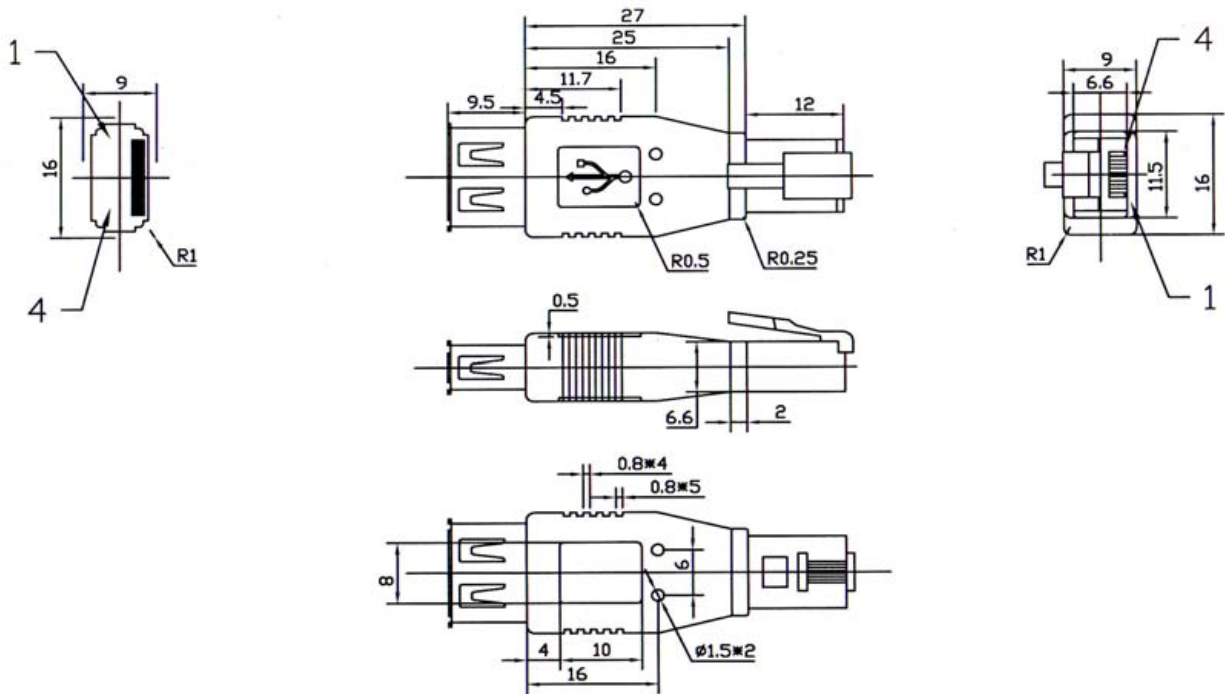
ORDERING INFORMATION:

P/N A D U 1 - 024 B

P/N REVISED

1. USB REVISION:
"1" REVISION 1.1
2. ADAPTER CODE:
"024" USB A TYPE MALE TO
MINI DIN 6 PIN MALE
3. INSULATOR COLOR:
"B" BLACK

USB ADAPTER REV.1.1 AF/RJ11M TYPE



PIN ASSIGNMENT

USB-A FEMALE	1	2	3	4	SHELL
RJ116P4C PLUG	1	2	3	4	SHELL

	DESCRIPTION
1	USB-A TYPE FEMALE WHITE PASTERN CONTACT PLATED: GOLD FLASH
2	PVC MOLDED COLOR: BLACK
3	INTERNAL WIRES: UL1007 30AWG
4	RJ11 6P4C PLUG CONTACT PLATED: GOLD FLASH

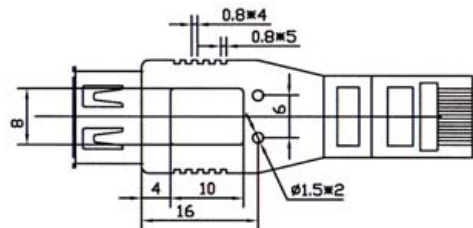
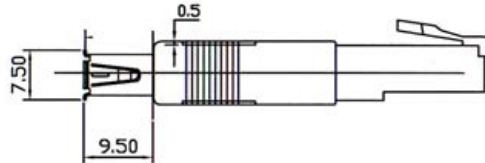
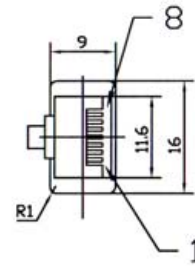
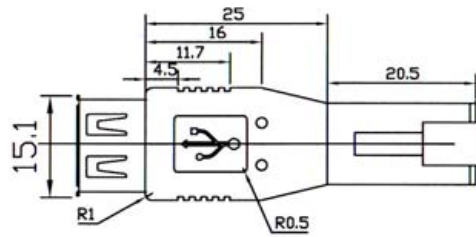
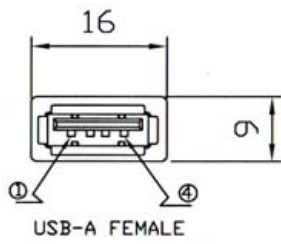
ORDERING INFORMATION:

P/N A D U $\frac{1}{1} - \frac{025}{2} \frac{B}{3}$

P/N REVISED

1. USB REVISION:
"1" REVISION 1.1
2. ADAPTER CODE:
"025" USB A TYPE FEMALE TO
RJ11 6P4C MODULAR PLUG
3. INSULATOR COLOR:
"B" BLACK

USB ADAPTER REV.1.1 AF/RJ45M TYPE



PIN ASSIGNMENT

USB-A FEMALE	1	2	3	4	SHELL
RJ458P4C PLUG	1	2	3	6	SHELL

	DESCRIPTION
1	USB-A TYPE FEMALE WHITE PASTERN CONTACT PLATED: GOLD FLASH
2	PVC MOLDED COLOR: BLACK
3	INTERNAL WIRES: UL1007 30AWG
4	RJ45 8P8C PLUG CONTACT PLATED: GOLD FLASH

ORDERING INFORMATION:

P/N A D U $\frac{1}{1} - \frac{026}{2} \frac{B}{3}$

P/N REVISED

1. USB REVISION:
"1" REVISION 1.1
2. ADAPTER CODE:
"026" USB A TYPE FEMALE TO
RJ45 8P8C MODULAR PLUG
3. INSULATOR COLOR:
"B" BLACK

USB ADAPTER REV.1.1 AF/AM TYPE WITH P.C. BOARD

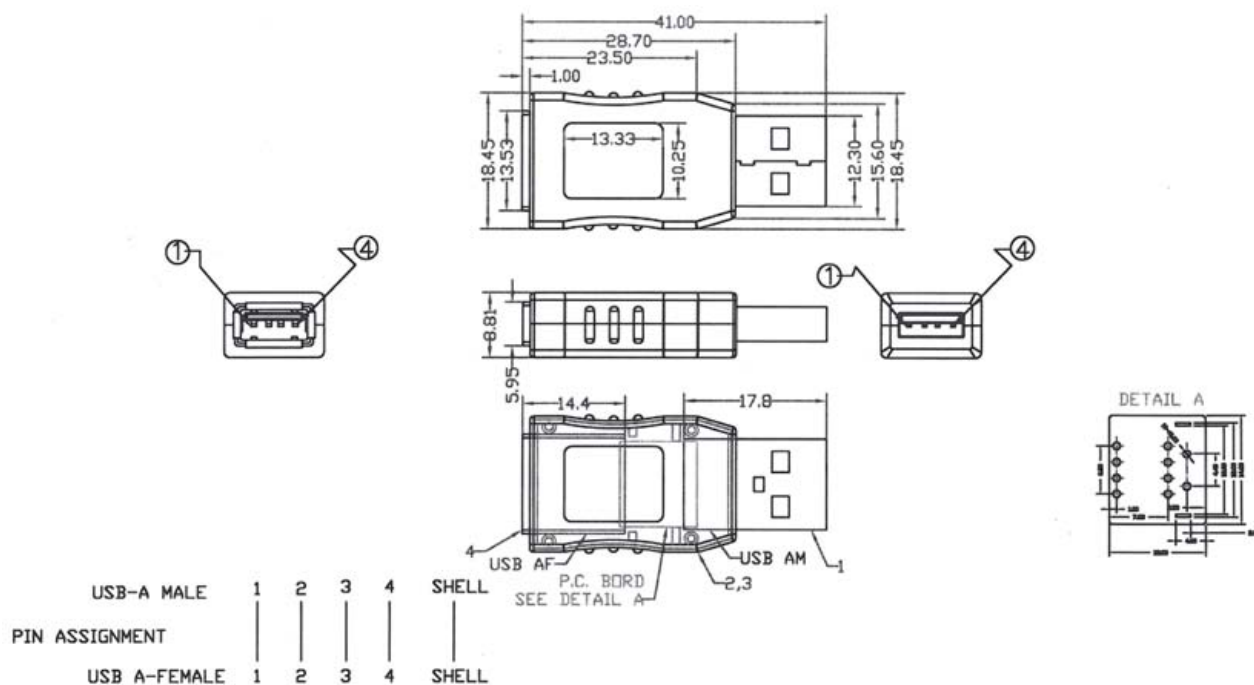
SPECIFICATIONS

HI-POT: 250V

Insulation Resistance: 10M Ohm

Contact Resistance: 5 Ohm

*RoHS & REACH compliant.



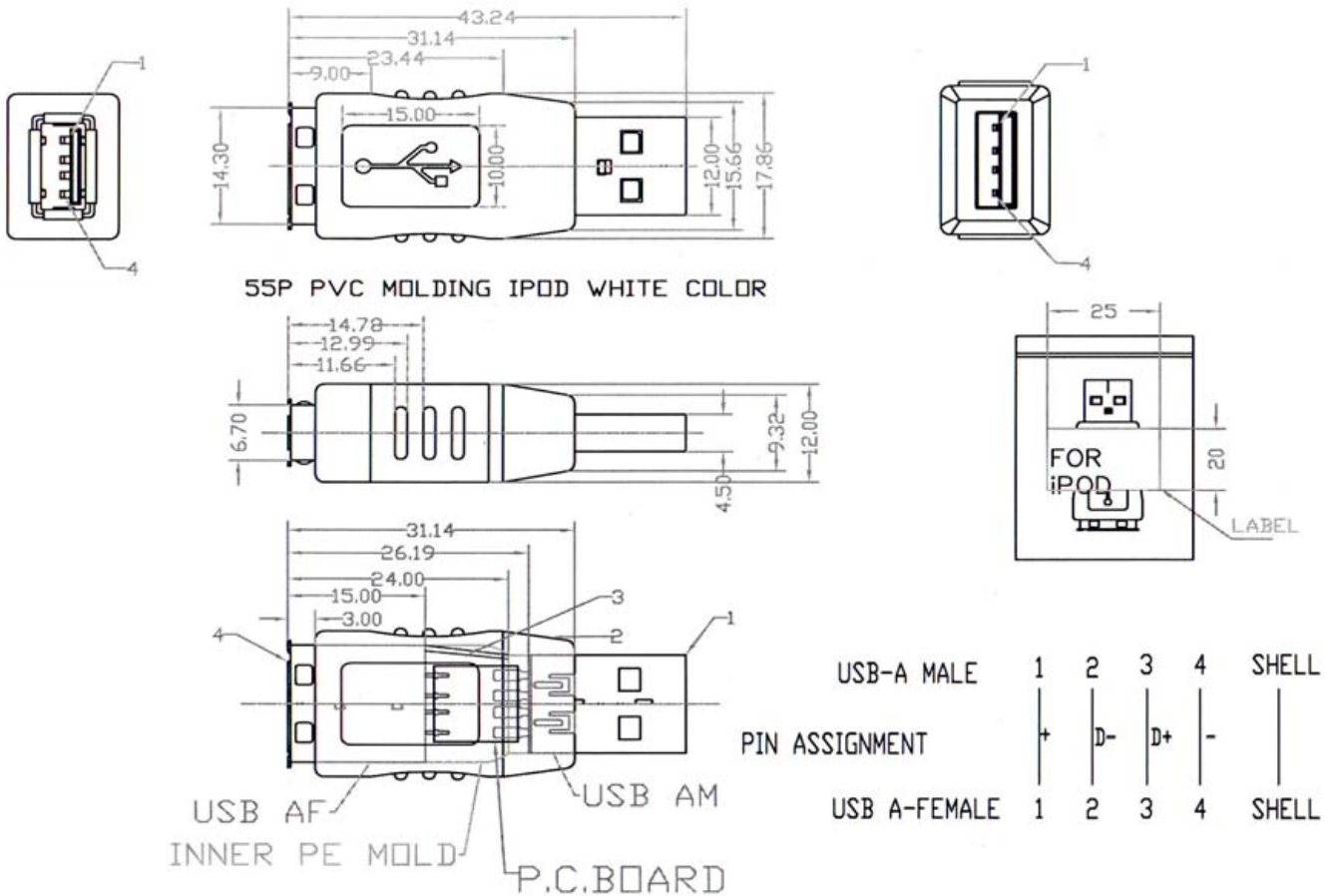
ORDERING INFORMATION:

P/N A D U $\frac{1}{1} - \frac{029}{2} \frac{B}{3}$

P/N REVISED

1. USB REVISION:
"1" REVISION 1.1
2. ADAPTER TYPE:
"029" USB A TYPE FEMALE TO
USB A TYPE MALE WITH P.C. BOARD
3. INSULATOR COLOR:
"B" BLACK

USB ADAPTER REV.1.1 AF/AM TYPE FOR IPOD



	DESCRIPTION
1	USB-A TYPE MALE SOLDER TYPE SHELL PLATED: NICKEL CONTACT: G/F
2	55P PVC MOLDING IPOD WHITE COLOR
3	INNER CABLE UL1007 30AWG JACKET COLOR BLACK
4	USB A TYPE FEMALE SOLDER TYPE SHELL PLATED: NICKEL CONTACT: G/F

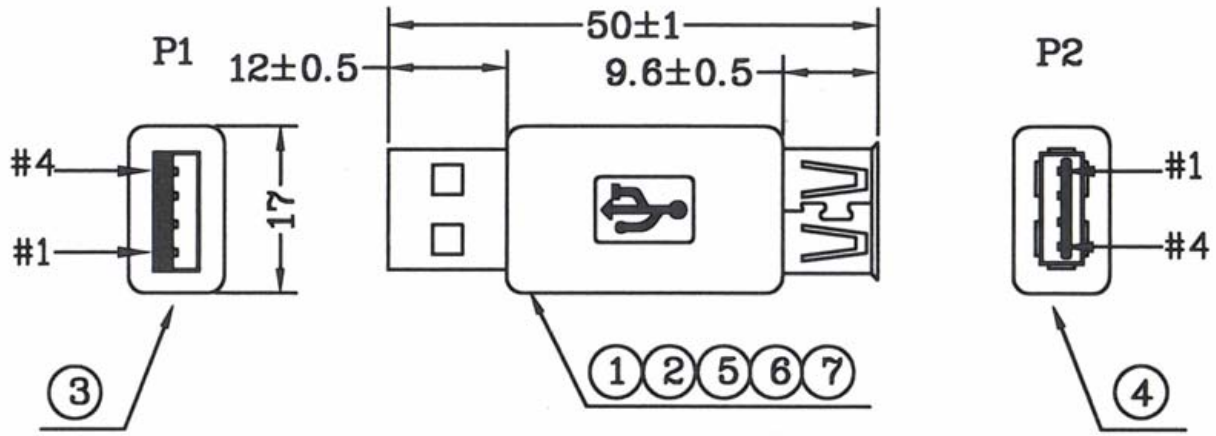
ORDERING INFORMATION:

P/N A D U $\frac{1}{1} - \frac{030}{2} \frac{W}{3}$

P/N REVISED

1. USB REVISION:
"1" REVISION 1.1
2. ADAPTER CODE:
"030" USB A TYPE FEMALE TO
USB A TYPE MALE WITH RESISTORS
3. INSULATOR COLOR:
"W" WHITE

USB ADAPTER REV.1.1 AF/AM TYPE



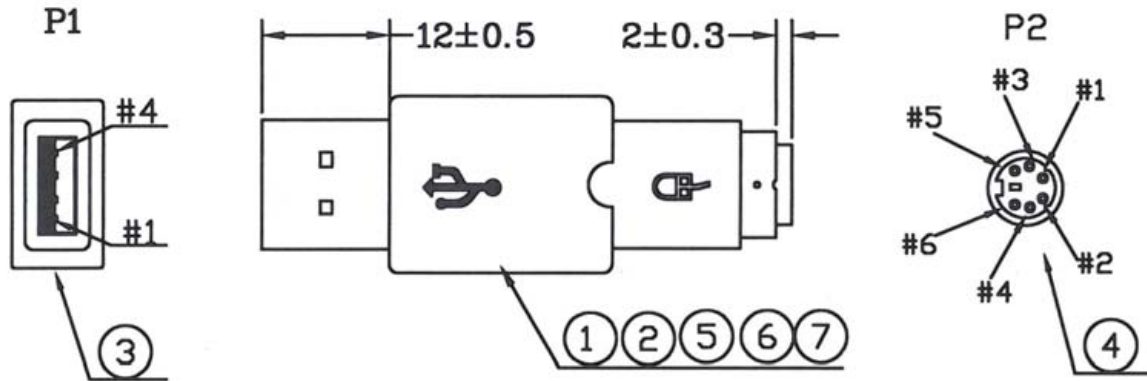
P1	PIN ASSIGNMENT	P2
1	—————	1
2	—————	2
3	—————	3
4	—————	4
S	—————	S

ORDERING INFORMATION:

P/N A D U 1 - 031 B
1 2 3

1. USB REVISION:
"1" REVISION 1.1
2. ADAPTER CODE:
"031" USB A TYPE FEMALE TO
USB A TYPE MALE
3. INSULATOR COLOR:
"B" BLACK

USB ADAPTER REV.1.1 AM/MD6F TYPE



PIN ASSIGNMENT

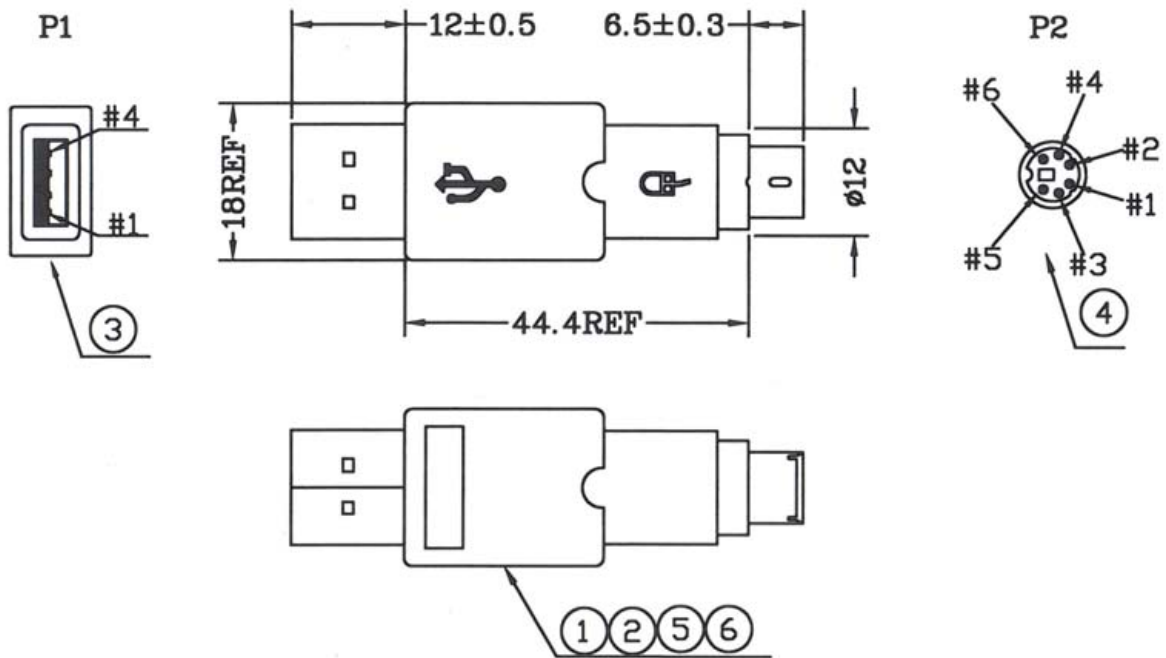
P1	P2
1 _____	4
2 _____	1
3 _____	5
4 _____	3
S _____	S

ORDERING INFORMATION:

P/N A D U $\frac{1}{1} - \frac{032}{2} \frac{x}{3}$

1. USB REVISION:
"1" REVISION 1.1
2. ADAPTER CODE:
"032" USB A TYPE MALE TO
MINI DIN 6 PIN FEMALE
3. INSULATOR COLOR:
"B" BLACK
"V" BEIGE
"N" LIGHT GREEN

USB ADAPTER REV.1.1 AM/MD6M TYPE



PIN ASSIGNMENT

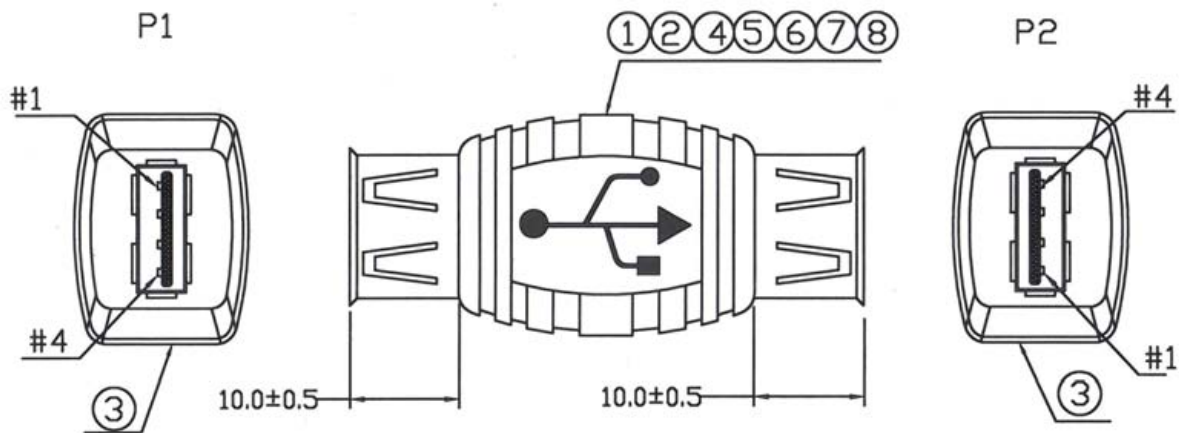
P1	P2
1	4
2	1
3	5
4	3
S	S

ORDERING INFORMATION:

P/N A D U $\frac{1}{1} - \frac{033}{2} \frac{B}{3}$

1. USB REVISION:
"1" REVISION 1.1
2. ADAPTER CODE:
"033" USB A TYPE MALE TO
MINI DIN 6 PIN MALE
3. INSULATOR COLOR:
"B" BLACK

USB ADAPTER REV.1.1 AF/AF TYPE



PIN ASSIGNMENT

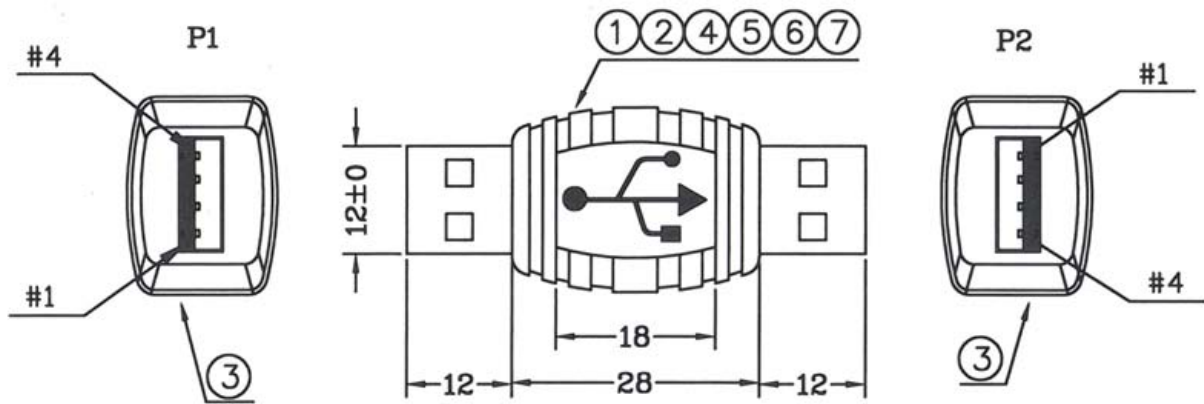
P1	P2
1	1
2	2
3	3
4	4
S	S

ORDERING INFORMATION:

P/N A D U 1 - 034 B
1 2 3

1. USB REVISION:
"1" REVISION 1.1
2. ADAPTER CODE:
"034" USB A TYPE FEMALE TO
USB A TYPE FEMALE
3. INSULATOR COLOR:
"B" BLACK

USB ADAPTER REV.1.1 AM/AM TYPE



PIN ASSIGNMENT

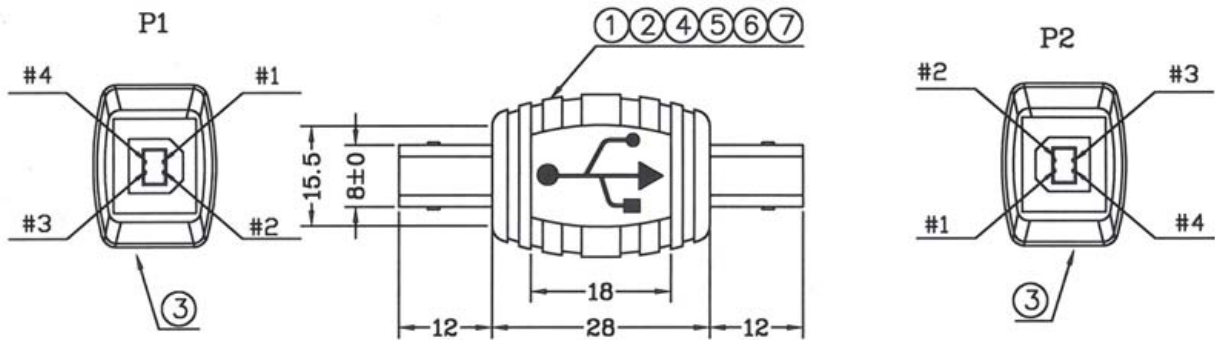
P1	P2
1	1
2	2
3	3
4	4
S	S

ORDERING INFORMATION:

P/N A D U $\frac{1}{1} - \frac{035}{2} \frac{V}{3}$

1. USB REVISION:
"1" REVISION 1.1
2. ADAPTER CODE:
"035" USB A TYPE MALE TO
USB A TYPE MALE
3. INSULATOR COLOR:
"V" BEIGE

USB ADAPTER REV.1.1 BM/BM TYPE



PIN ASSIGNMENT

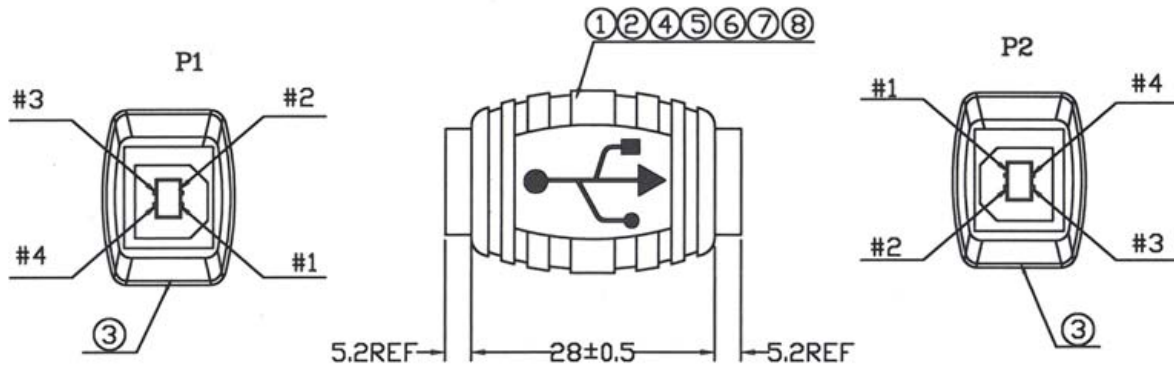
P1	P2
1	1
2	2
3	3
4	4
S	S

ORDERING INFORMATION:

P/N A D U $\frac{1}{1} - \frac{036}{2} \frac{V}{3}$

1. USB REVISION:
"1" REVISION 1.1
2. ADAPTER CODE:
"036" USB B TYPE MALE TO
USB B TYPE MALE
3. INSULATOR COLOR:
"V" BEIGE

USB ADAPTER REV.1.1 BF/BF TYPE



PIN ASSIGNMENT

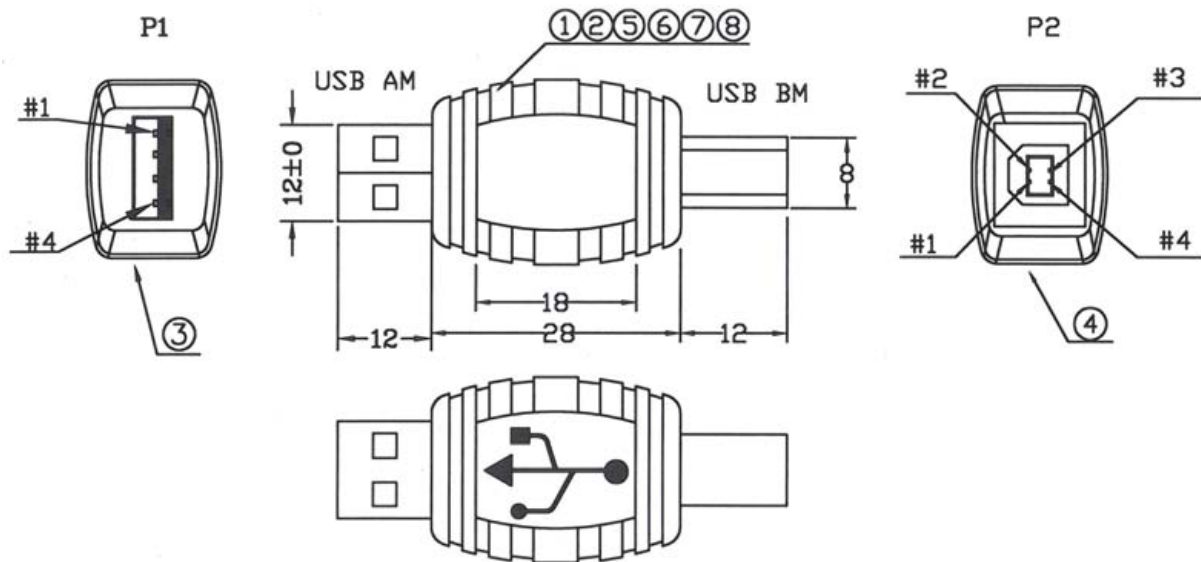
P1	P2
1	1
2	2
3	3
4	4
S	S

ORDERING INFORMATION:

P/N A D U $\frac{1}{1} - \frac{037}{2} \frac{B}{3}$

1. USB REVISION:
"1" REVISION 1.1
2. ADAPTER CODE:
"037" USB B TYPE FEMALE TO
USB B TYPE FEMALE
3. INSULATOR COLOR:
"B" BLACK

USB ADAPTER REV.1.1 AM/BM TYPE



PIN ASSIGNMENT

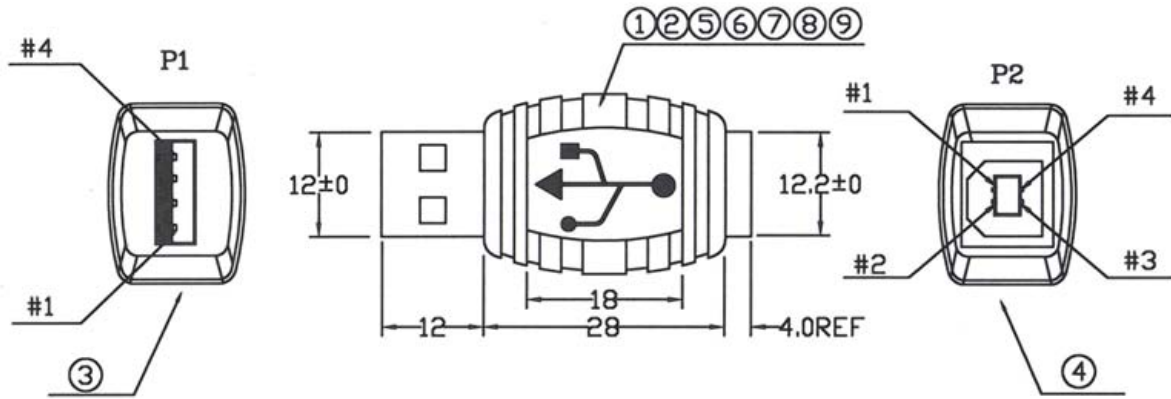
P1	P2
1	1
2	2
3	3
4	4
S	S

ORDERING INFORMATION:

P/N A D U $\frac{1}{1} - \frac{038}{2} \frac{x}{3}$

1. USB REVISION:
"1" REVISION 1.1
2. ADAPTER CODE:
"038" USB A TYPE MALE TO
USB B TYPE MALE
3. INSULATOR COLOR:
"V" BEIGE
"B" BLACK

USB ADAPTER REV.1.1 AM/BF TYPE



PIN ASSIGNMENT

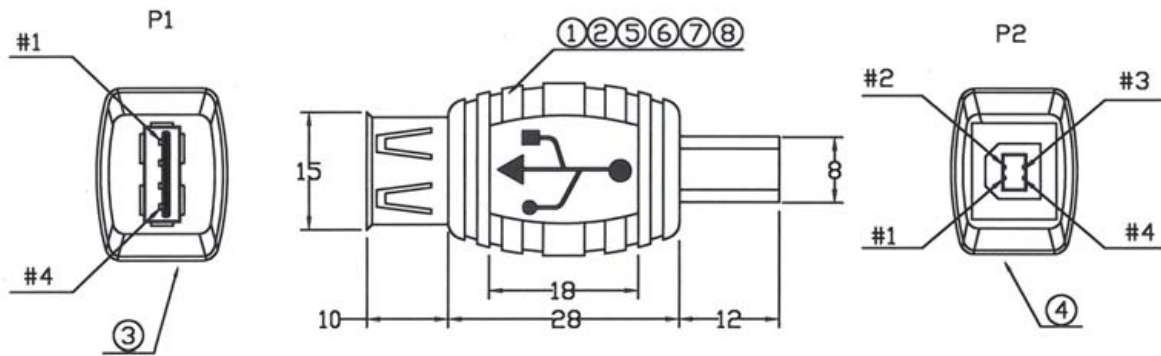
P1	P2
1	1
2	2
3	3
4	4
S	S

ORDERING INFORMATION:

P/N A D U $\frac{1}{1} - \frac{039}{2} \frac{V}{3}$

1. USB REVISION:
"1" REVISION 1.1
2. ADAPTER CODE:
"039" USB A TYPE MALE TO
USB B TYPE FEMALE
3. INSULATOR COLOR:
"V" BEIGE

USB ADAPTER REV.1.1 AF/BM TYPE



PIN ASSIGNMENT

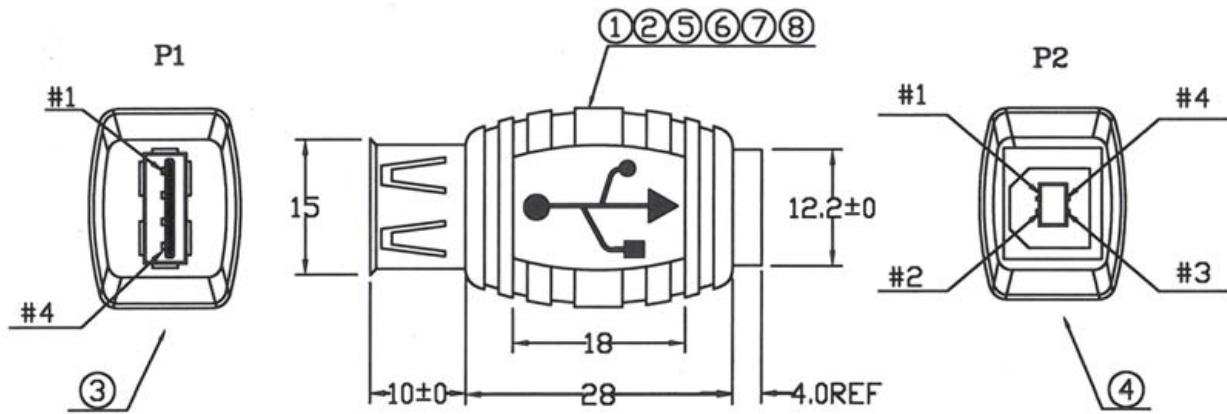
P1	P2
1	1
2	2
3	3
4	4
S	S

ORDERING INFORMATION:

P/N A D U $\frac{1}{1} - \frac{040}{2} \frac{V}{3}$

1. USB REVISION:
"1" REVISION 1.1
2. ADAPTER CODE:
"040" USB A TYPE FEMALE TO
USB B TYPE MALE
3. INSULATOR COLOR:
"V" BEIGE

USB ADAPTER REV.1.1 AF/BF TYPE



PIN ASSIGNMENT

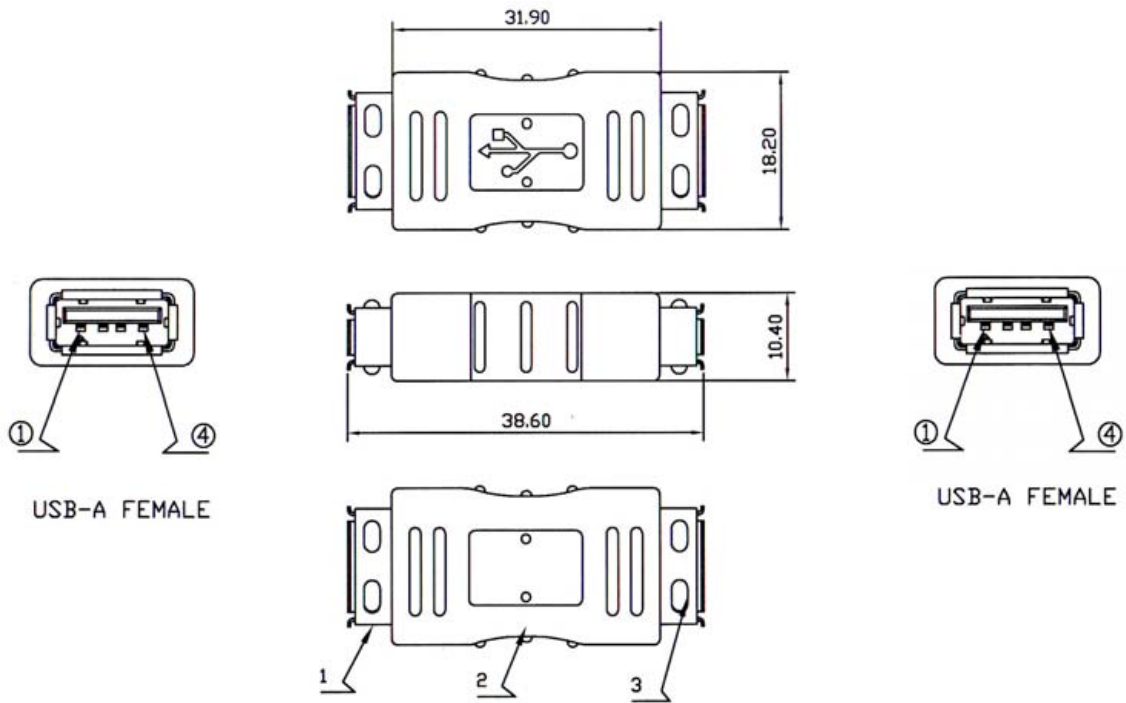
P1	P2
1	1
2	2
3	3
4	4
S	S

ORDERING INFORMATION:

P/N A D U 1 - 041 B
 1 2 3

1. USB REVISION:
"1" REVISION 1.1
2. ADAPTER CODE:
"041" USB A TYPE FEMALE TO
USB B TYPE FEMALE
3. INSULATOR COLOR:
"B" BLACK

USB ADAPTER REV.2.0 AF/AF TYPE



PIN ASSIGNMENT

USB-A FEMALE	1	2	3	4	SHELL
USB-A FEMALE	1	2	3	4	SHELL

	DESCRIPTION
1	USB-A TYPE FEMALE INSULATION: WHITE IN COLOR CONTACT PLATED: 30U"
2	PVC MOLDED WITH COPPER FOIL BEIGE IN COLOR
3	USB-A TYPE FEMALE INSULATION: WHITE IN COLOR CONTACT PLATED: 30U"
4	INTERNAL WIRES: UL1007 30AWG 7 STRANDED L: 17MM

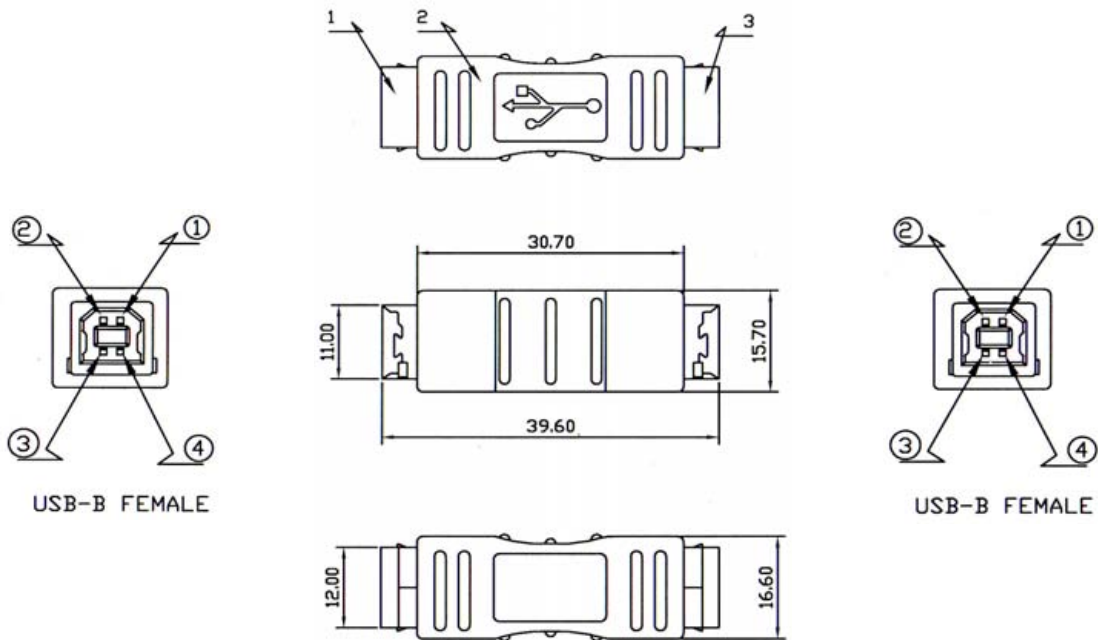
ORDERING INFORMATION:

P/N A D U $\frac{2}{1}$ - $\frac{001}{2}$ $\frac{V}{3}$

P/N REVISED

1. USB REVISION:
"2" REVISION 2.0
2. ADAPTER CODE:
"001" USB A TYPE FEMALE TO
USB A TYPE FEMALE
3. INSULATOR COLOR:
"V" IVORY

USB ADAPTER REV.2.0 BF/BF TYPE



	USB-B FEMALE	1	2	3	4	SHELL
PIN ASSIGNMENT						
	USB-B FEMALE	1	2	3	4	SHELL

	DESCRIPTION
1	USB-B TYPE FEMALE INSULATION: WHITE IN COLOR CONTACT PLATED: 30U"
2	PVC MOLDED WITH COPPER FOIL BEIGE IN COLOR
3	USB-B TYPE FEMALE INSULATION: WHITE IN COLOR CONTACT PLATED: 30U"
4	INTERNAL WIRES: UL1007 30AWG 7 STRANDED L: 17MM

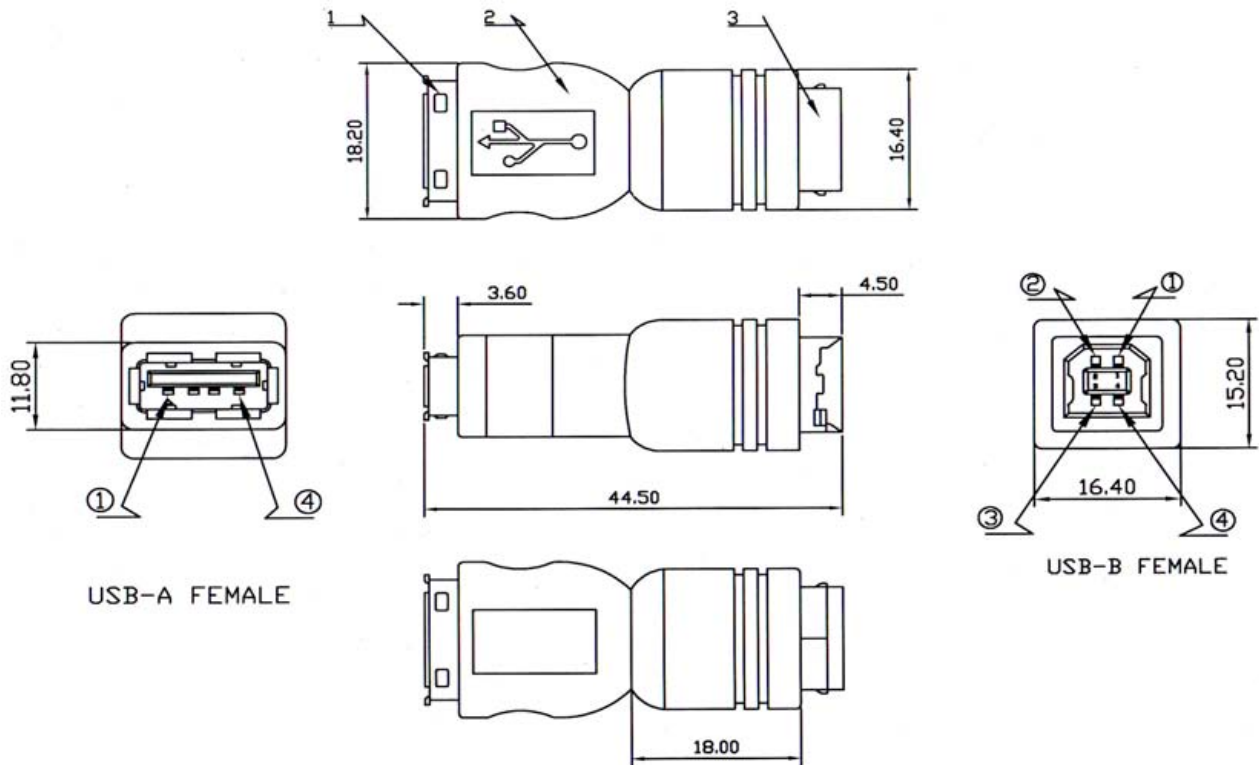
ORDERING INFORMATION:

P/N A D U $\frac{2}{1}$ - $\frac{007}{2}$ V $\frac{3}{3}$

P/N REVISED

1. USB REVISION:
"2" REVISION 2.0
2. ADAPTER CODE:
"007" USB B TYPE FEMALE TO
USB B TYPE FEMALE
3. INSULATOR COLOR:
"V" IVORY

USB ADAPTER REV.2.0 AF/BF TYPE



	USB-A FEMALE	1	2	3	4	SHELL
PIN ASSIGNMENT						
	USB-B FEMALE	1	2	3	4	SHELL

	DESCRIPTION
1	USB-A TYPE FEMALE INSULATION: WHITE IN COLOR GOLD 30U" PLATED
2	PVC MOLDED WITH COPPER FOIL BEIGE IN COLOR
3	USB-B TYPE FEMALE INSULATION: WHITE IN COLOR GOLD 30U" PLATED
4	INTERNAL WIRE: UL1007 30AWG 7 STRANDED L: 17MM

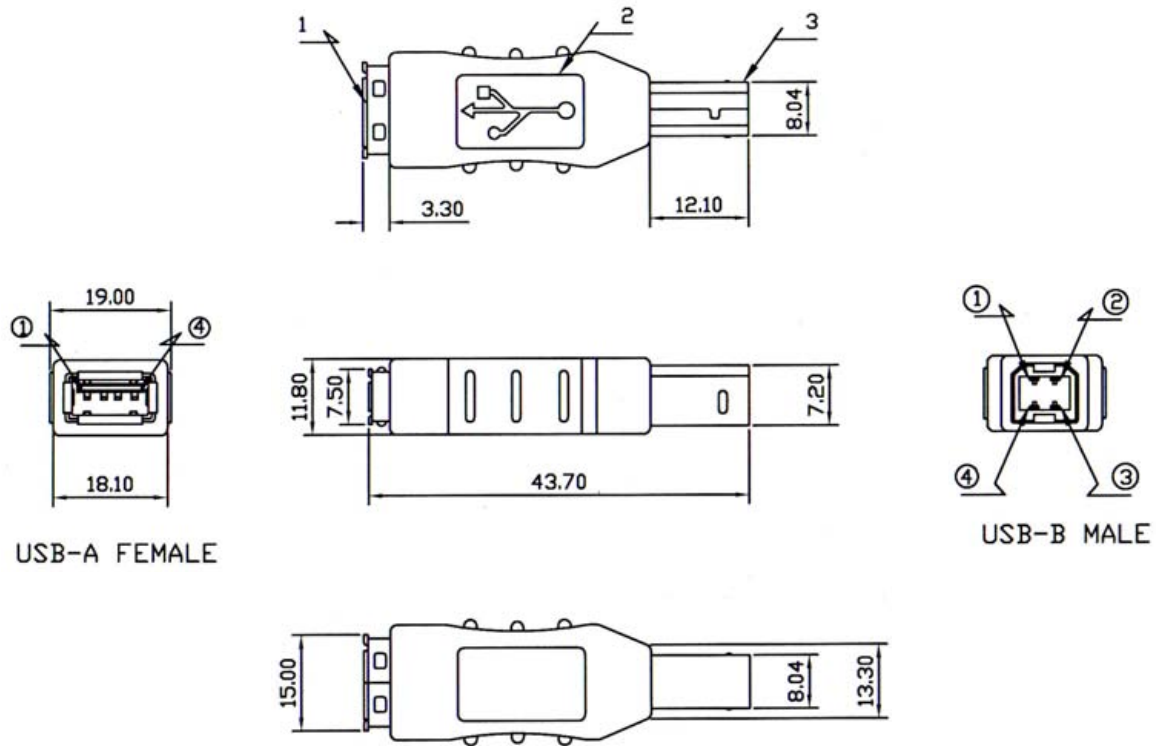
ORDERING INFORMATION:

P/N A D U $\frac{2}{1}$ - $\frac{013}{2}$ $\frac{V}{3}$

P/N REVISED

1. USB REVISION:
"2" REVISION 2.0
2. ADAPTER CODE:
"013" USB A TYPE FEMALE TO
USB B TYPE FEMALE
3. INSULATOR COLOR:
"V" IVORY

USB ADAPTER REV.2.0 AF/BM TYPE



USB-A FEMALE

USB-B MALE

	USB-A FEMALE	1	2	3	4	SHELL
PIN ASSIGNMENT						
	USB-B MALE	1	2	3	4	SHELL

	DESCRIPTION
1	USB-A TYPE FEMALE INSULATION: WHITE IN COLOR CONTACT PLATED: 30U"
2	PVC MOLDED WITH COPPER FOIL BEIGE IN COLOR
3	USB-B TYPE MALE INSULATION: WHITE IN COLOR CONTACT PLATED: 30U"
4	INTERNAL WIRES: UL1007 30AWG 7 STRANDED L: 17MM

ORDERING INFORMATION:

P/N A D U $\frac{2}{1} - \frac{015}{2} \frac{V}{3}$

P/N REVISED

1. USB REVISION:
"2" REVISION 2.0
2. ADAPTER CODE:
"015" USB A TYPE FEMALE TO
USB B TYPE MALE
3. INSULATOR COLOR:
"V" IVORY

USB ADAPTER REV.2.0 AM/BF TYPE

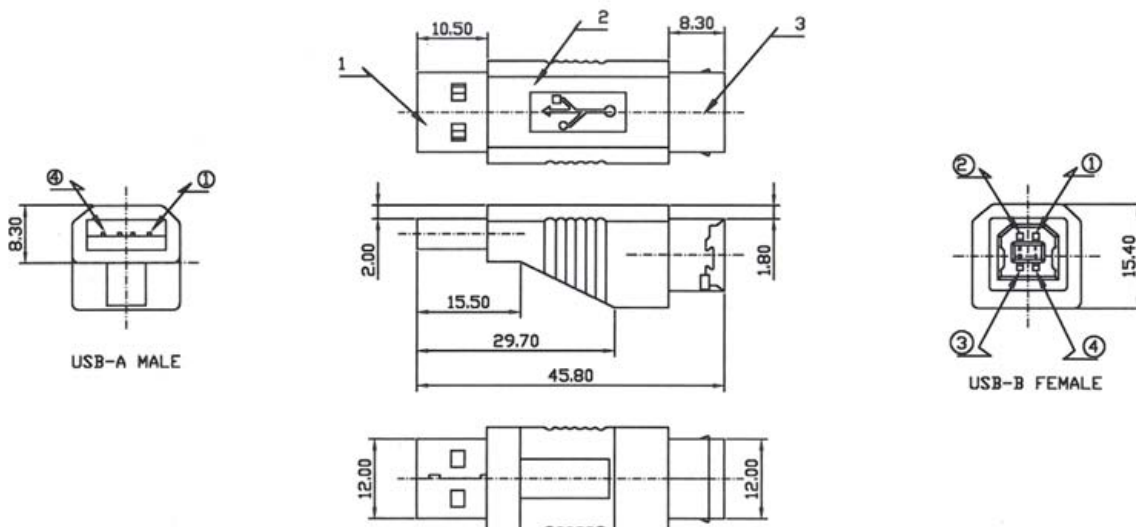
SPECIFICATIONS

HI-POT: 250V

Insulation Resistance: 10M Ohm

Contact Resistance: 5 Ohm

*RoHS & REACH compliant.



	1	2	3	4	SHELL
USB-A MALE					
PIN ASSIGNMENT					
USB-B FEMALE					

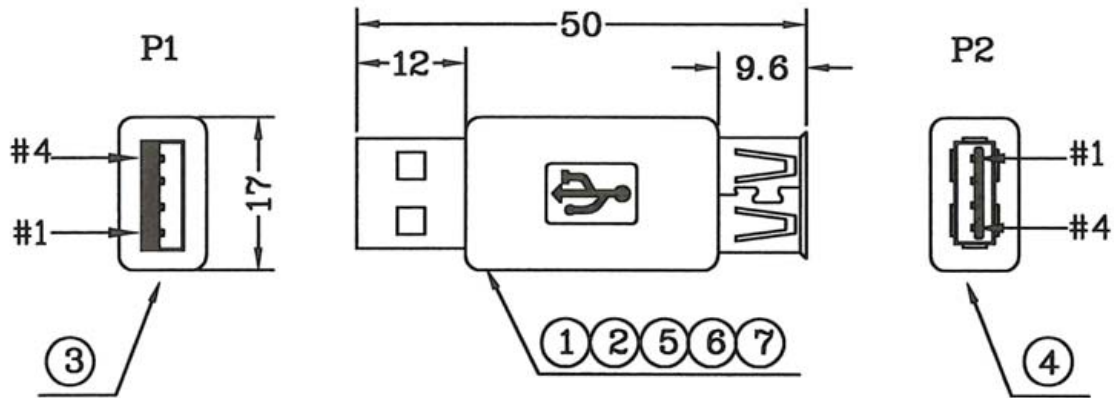
ORDERING INFORMATION:

P/N A D U 2 - 017 V
1 2 3

P/N REVISED

1. USB REVISION:
"2" REVISION 2.0
2. ADAPTER TYPE:
"017" USB A TYPE MALE TO
USB B TYPE FEMALE
3. INSULATOR COLOR:
"V" IVORY

USB ADAPTER REV.2.0 AF/AM TYPE



PIN ASSIGNMENT

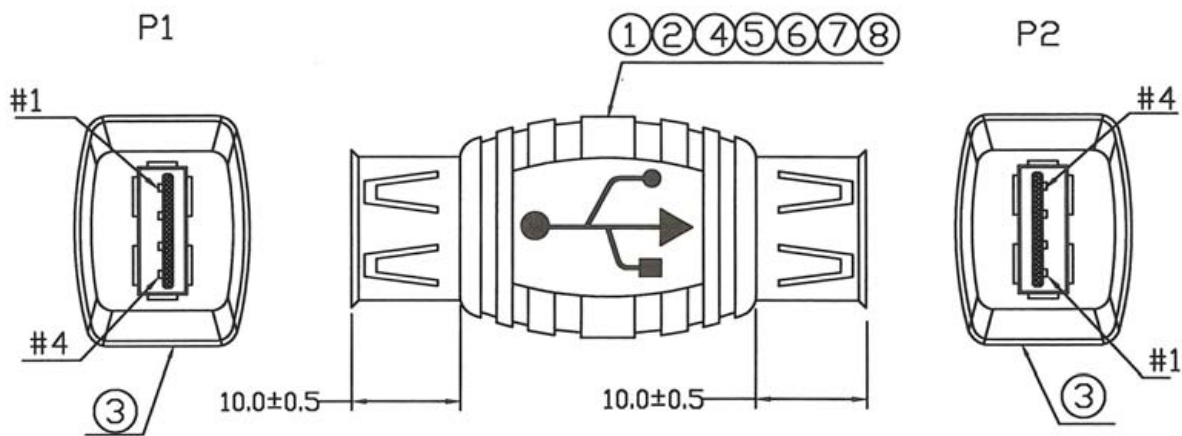
P1	—————	P2
1	—————	1
2	—————	2
3	—————	3
4	—————	4
S	—————	S

ORDERING INFORMATION:

P/N A D U 2 - 031 V

1. USB REVISION:
"2" REVISION 2.0
2. ADAPTER TYPE:
"031" USB A TYPE FEMALE TO
USB B TYPE MALE
3. INSULATOR COLOR:
"V" BEIGE

USB ADAPTER REV.2.0 AF/AF TYPE



PIN ASSIGNMENT	
P1	P2
1	1
2	2
3	3
4	4
S	S

ORDERING INFORMATION:

P/N A D U 2 - 034 V
1 2 3

1. USB REVISION:
"2" REVISION 2.0
2. ADAPTER TYPE:
"034" USB A TYPE FEMALE TO
USB A TYPE FEMALE
3. INSULATOR COLOR:
"V" BEIGE

USB3.0 TO USB 3.0 ADAPTERS

			
ADU3-001U	ADU3-003U	ADU3-005U	ADU3-006U
			
USB3.0 RIGHT ANGLE ADAPTERS			

ORDERING INFORMATION:

P/N ADU3-001U	USB3.0 AF TO BF ADAPTER BLUE
P/N ADU3-002U	USB3.0 AF TO BM ADAPTER BLUE
P/N ADU3-003U	USB3.0 AM TO BF ADAPTER BLUE
P/N ADU3-004U	USB3.0 AM TO BM ADAPTER BLUE
P/N ADU3-005U	USB3.0 BF TO BF ADAPTER BLUE
P/N ADU3-006U	USB3.0 BM TO BF ADAPTER BLUE
P/N ADU3-007U	USB3.0 BM TO BM ADAPTER BLUE
P/N ADU3-008U	USB3.0 AF TO AF ADAPTER BLUE
P/N ADU3-009U	USB3.0 AM TO AM ADAPTER BLUE
P/N ADU3-010U	USB3.0 AM TO AF ADAPTER BLUE
P/N ADU3-011U	USB3.0 AM TO AF LEFTWARDS R/A ADAPTER
P/N ADU3-012U	USB3.0 AM TO BM RIGHTWARDS R/A ADAPTER

NOTE

AF = A TYPE FEMALE
 AM = A TYPE MALE
 BF = B TYPE FEMALE
 BM = B TYPE MALE
 R/A = RIGHT ANGLE

USB3.0 HOUSING TO WAFER ADAPTERS (1)

			
ADU3-013U	ADU3-014U	ADU3-015U	ADU3-016U
			
ADU3-017U	ADU3-018U	ADU3-019U	ADU3-020U
			
ADU3-021U			

ORDERING INFORMATION:

P/N ADU3-013U	USB3.0 HOUSING 20F TO HOUSING 20F ADAPTER
P/N ADU3-014U	USB3.0 HOUSING 20F TO BOX HEADER 20M ADAPTER
P/N ADU3-015U	USB3.0 BOX HEADER 20M TO BOX HEADER 20M ADAPTER
P/N ADU3-016U	USB3.0 AM TO HOUSING 20F ADAPTER
P/N ADU3-017U	USB3.0 AM TO BOX HEADER 20M ADAPTER
P/N ADU3-018U	USB3.0 AF TO HOUSING 20F ADAPTER
P/N ADU3-019U	USB3.0 AF TO BOX HEADER 20M ADAPTER
P/N ADU3-020U	USB3.0 BM TO HOUSING 20F ADAPTER
P/N ADU3-021U	USB3.0 BM TO BOX HEADER 20M ADAPTER

NOTE

AF = A TYPE FEMALE
 AM = A TYPE MALE
 BM = B TYPE MALE
 20F = 20 PIN FEMALE
 20M = 20 PIN MALE

USB3.0 HOUSING TO WAFER ADAPTERS (2)

			
ADU3-022U	ADU3-024U	ADU3-025U	ADU3-027U
			
ADU3-042U	ADU3-043U		

ORDERING INFORMATION:

P/N ADU3-022U	USB3.0 HOUSING 20F TO AM+AM ADAPTER
P/N ADU3-023U	USB3.0 HOUSING 20F TO AM+AF ADAPTER
P/N ADU3-024U	USB3.0 HOUSING 20F TO AF+AF ADAPTER
P/N ADU3-025U	USB3.0 BOX HEADER 20M TO AM+AM ADAPTER
P/N ADU3-026U	USB3.0 BOX HEADER 20M TO AM+AF ADAPTER
P/N ADU3-027U	USB3.0 BOX HEADER 20M TO AF+AF ADAPTER
P/N ADU3-042U	USB3.0 HOUSING 20F TO MICRO USB3.0 BM ADAPTER
P/N ADU3-043U	USB3.0 BOX HEADER 20M TO MICRO USB3.0 BM ADAPTER

NOTE

AF = A TYPE FEMALE
 AM = A TYPE MALE
 BM = B TYPE MALE
 20F = 20 PIN FEMALE
 20M = 20 PIN MALE

USB 3.0 ADAPTER A/F TO B/F TYPE

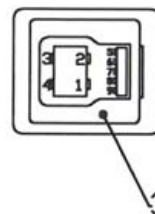
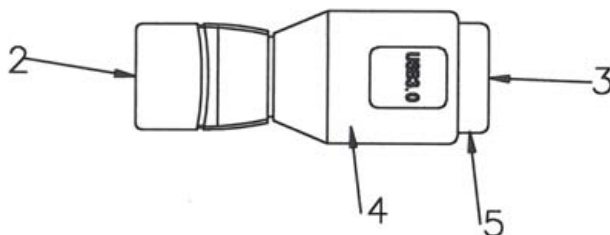
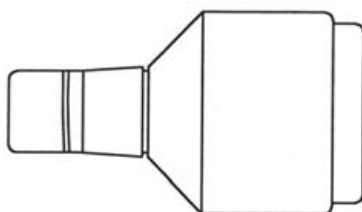
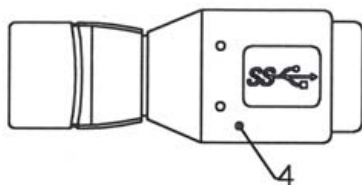
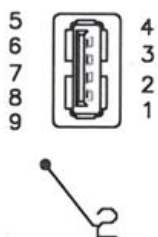
SPECIFICATIONS

HI-POT: 250V

Insulation Resistance: 5M Ohm

Contact Resistance: 10 Ohm

*RoHS & REACH compliant.



USB3.0 AF	USB3.0 BF
1	1
2	2
3	3
4	4
5	5
6	6
7	7
8	8
9	9
SHELL	SHELL

ORDERING INFORMATION:

P/N A D U 3 - 001 U
 1 2 3

1. USB REVISION:
"3" REVISION 3.0
2. ADAPTER TYPE:
"001" USB 3.0 A TYPE FEMALE TO
USB 3.0 B TYPE FEMALE
3. INSULATOR COLOR:
"U" BLUE

USB 3.0 ADAPTER A/F TO B/M TYPE

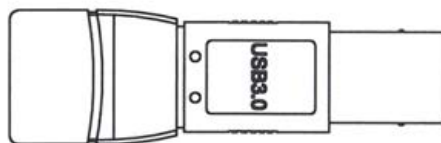
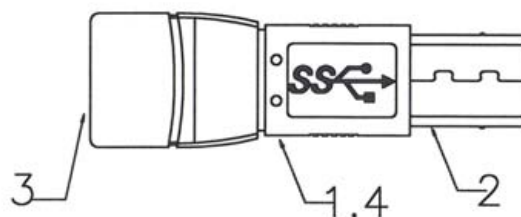
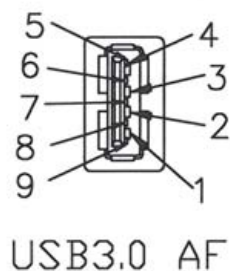
SPECIFICATIONS

HI-POT: 250V

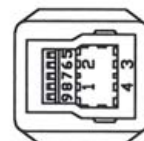
Insulation Resistance: 5M Ohm

Contact Resistance: 10 Ohm

*RoHS & REACH compliant.



USB3.0 BM



USB3.0 AF	USB3.0 BM
1	1
2	2
3	3
4	4
5	5
6	6
7	7
8	8
9	9
SHELL	SHELL

ORDERING INFORMATION:

P/N A D U 3 - 002 U
1 2 3

1. USB REVISION:
"3" REVISION 3.0
2. ADAPTER TYPE:
"002" USB 3.0 A TYPE FEMALE TO
USB 3.0 B TYPE MALE
3. INSULATOR COLOR:
"U" BLUE

USB 3.0 ADAPTER A/M TO B/F TYPE

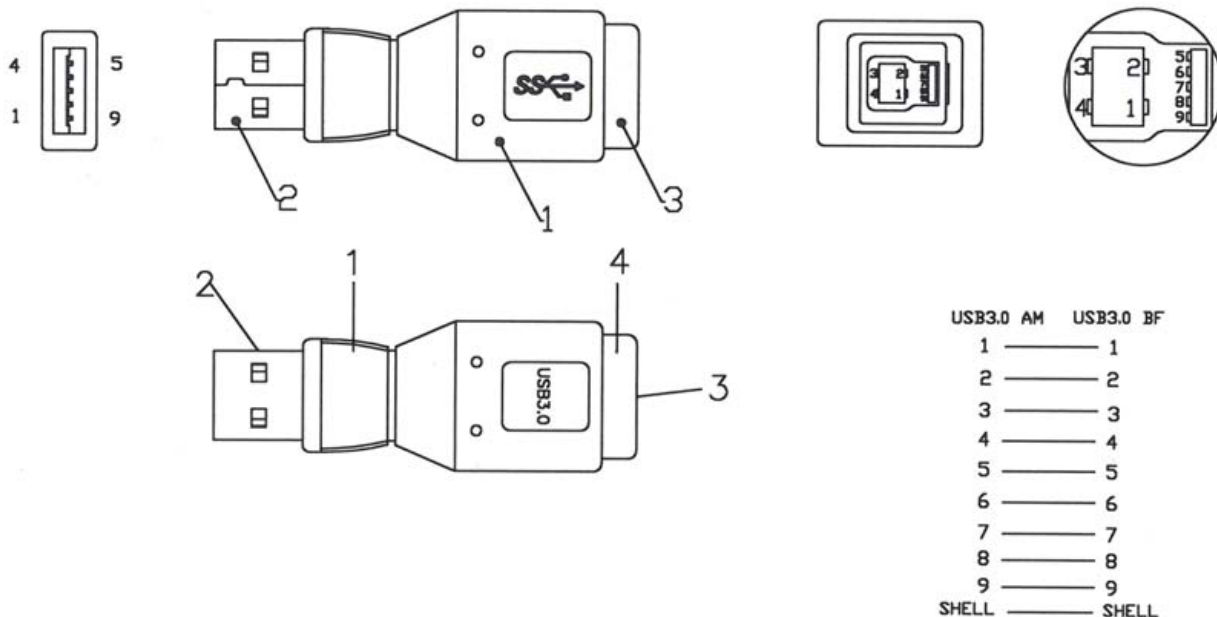
SPECIFICATIONS

HI-POT: 250V

Insulation Resistance: 5M Ohm

Contact Resistance: 10 Ohm

*RoHS & REACH compliant.



ORDERING INFORMATION:

P/N A D U 3 - 003 U
1 2 3

1. USB REVISION:
"3" REVISION 3.0
2. ADAPTER TYPE:
"003" USB 3.0 A TYPE MALE TO
USB 3.0 B TYPE FEMALE
3. INSULATOR COLOR:
"U" BLUE

USB 3.0 ADAPTER A/M TO B/M TYPE

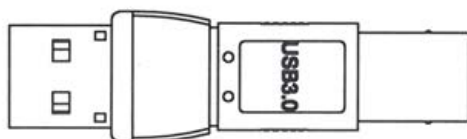
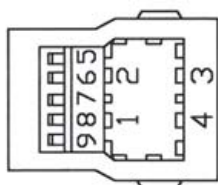
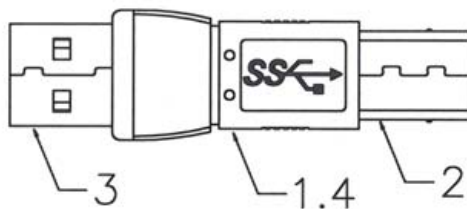
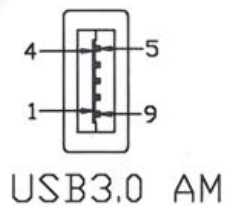
SPECIFICATIONS

HI-POT: 250V

Insulation Resistance: 5M Ohm

Contact Resistance: 10 Ohm

*RoHS & REACH compliant.



USB3.0 AM USB3.0 BM

1 — 1

2 — 2

3 — 3

4 — 4

5 — 5

6 — 6

7 — 7

8 — 8

9 — 9

SHELL — SHELL

ORDERING INFORMATION:

P/N A D U 3 - 004 U
 1 2 3

1. USB REVISION:
"3" REVISION 3.0
2. ADAPTER TYPE:
"004" USB 3.0 A TYPE MALE TO
USB 3.0 B TYPE MALE
3. INSULATOR COLOR:
"U" BLUE

USB 3.0 ADAPTER B/F TO B/F TYPE

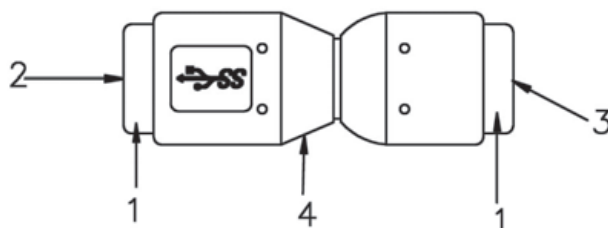
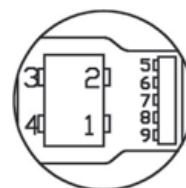
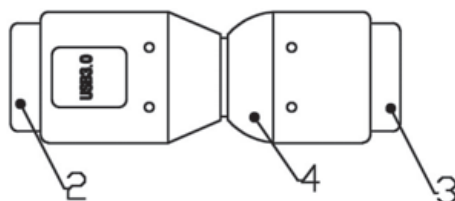
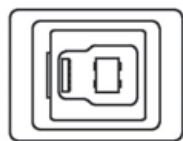
SPECIFICATIONS

HI-POT: 250V

Insulation Resistance: 5M Ohm

Contact Resistance: 10 Ohm

*RoHS & REACH compliant.



USB3.0 BF	USB3.0 BF
1	1
2	2
3	3
4	4
5	5
6	6
7	7
8	8
9	9
SHELL	SHELL

ORDERING INFORMATION:

P/N A D U 3 - 005 U
 1 2 3

1. USB REVISION:
"3" REVISION 3.0
2. ADAPTER TYPE:
"005" USB 3.0 B TYPE FEMALE TO
USB 3.0 B TYPE FEMALE
3. INSULATOR COLOR:
"U" BLUE

USB 3.0 ADAPTER B/M TO B/F TYPE

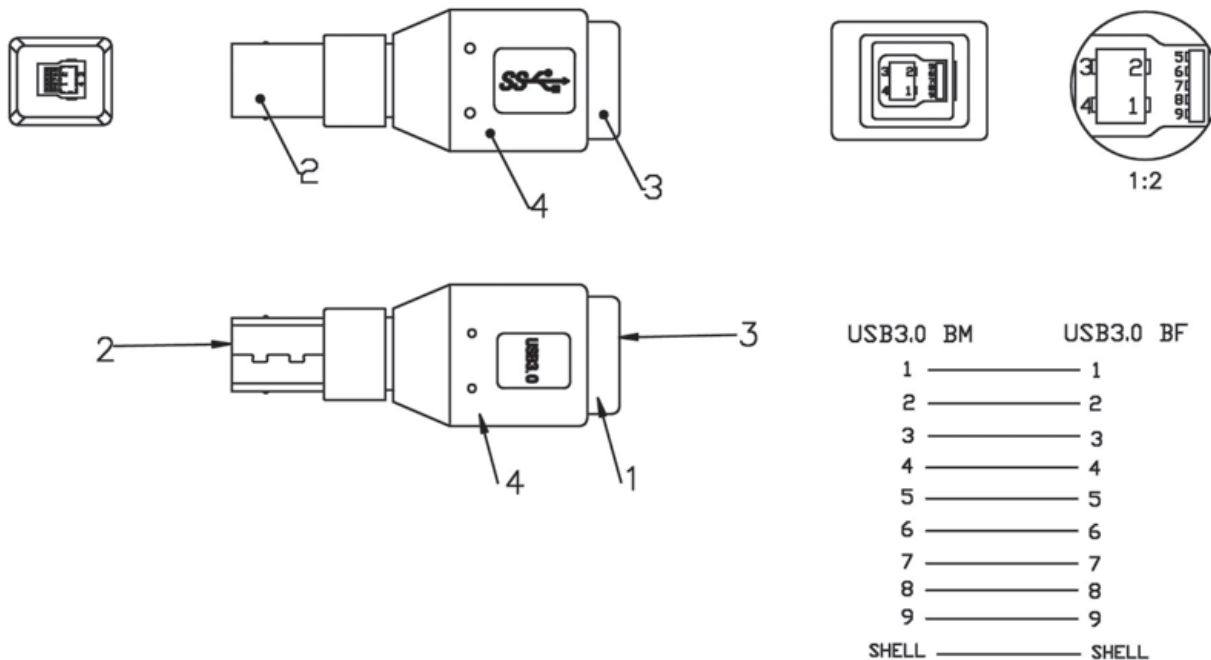
SPECIFICATIONS

HI-POT: 250V

Insulation Resistance: 5M Ohm

Contact Resistance: 10 Ohm

*RoHS & REACH compliant.



ORDERING INFORMATION:

P/N A D U 3 - 006 U

1. USB REVISION:
"3" REVISION 3.0
2. ADAPTER TYPE:
"006" USB 3.0 B TYPE MALE TO
USB 3.0 B TYPE FEMALE
3. INSULATOR COLOR:
"U" BLUE

USB 3.0 ADAPTER B/M TO B/M TYPE

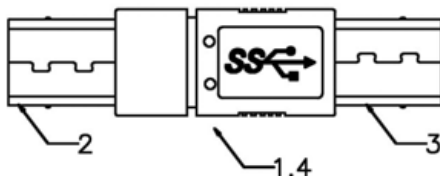
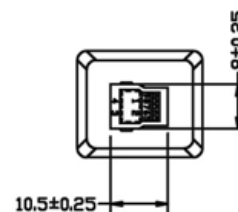
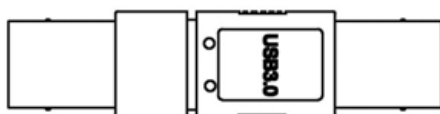
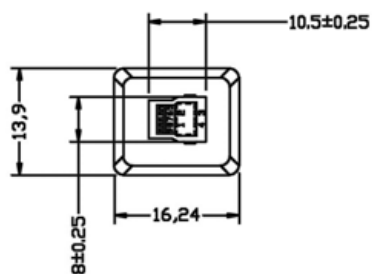
SPECIFICATIONS

HI-POT: 250V

Insulation Resistance: 5M Ohm

Contact Resistance: 10 Ohm

*RoHS & REACH compliant.



USB3.0 BM	—	USB3.0 BM
1	—	1
2	—	2
3	—	3
4	—	4
5	—	5
6	—	6
7	—	7
8	—	8
9	—	9
SHELL	—	SHELL

ORDERING INFORMATION:

P/N A D U 3 - 007 U
 1 2 3

1. USB REVISION:
"3" REVISION 3.0
2. ADAPTER TYPE:
"007" USB 3.0 B TYPE MALE TO
USB 3.0 B TYPE MALE
3. INSULATOR COLOR:
"U" BLUE

MINI USB 4P FUJI MALE TO USB B/F ADAPTER

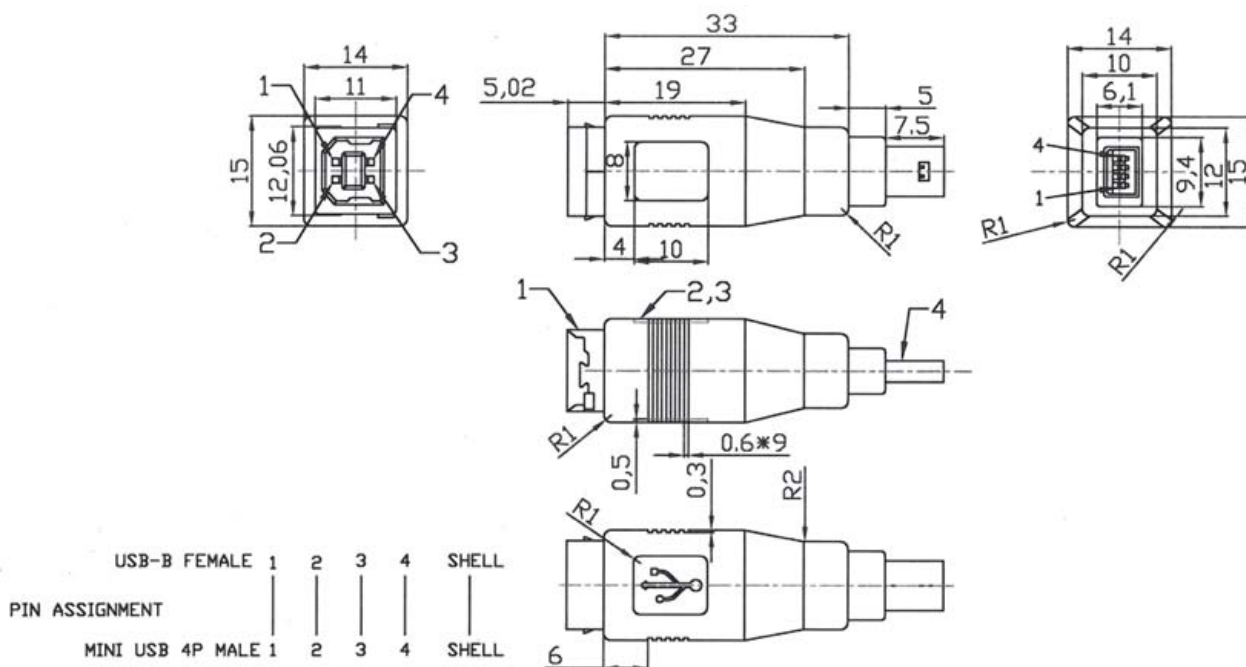
SPECIFICATIONS

HI-POT: 250V

Insulation Resistance: 10M Ohm

Contact Resistance: 3 Ohm

*RoHS & REACH compliant.



ORDERING INFORMATION:

P/N A D U M - 025 B
 1 2

1. ADAPTER TYPE:
"025" MINI USB 4P FUJI MALE TO
USB B TYPE FEMALE
2. INSULATOR COLOR:
"B" BLACK

MINI USB 4M TO USB A/M ADAPTER

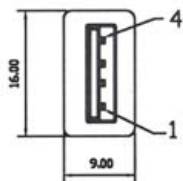
SPECIFICATIONS

HI-POT: 250V

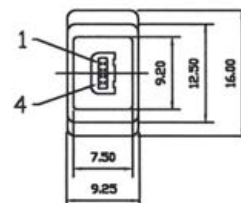
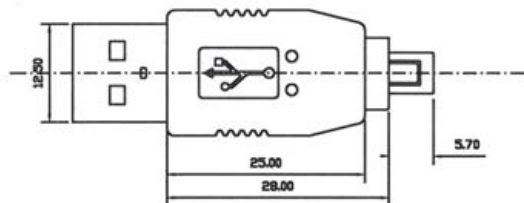
Insulation Resistance: 10M Ohm

Contact Resistance: 3 Ohm

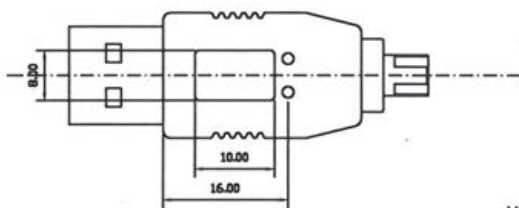
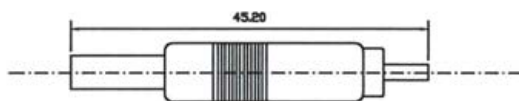
*RoHS & REACH compliant.



USB A MALE



MINI USB 4P MALE



PIN ASSIGNMENT

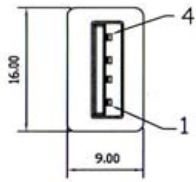
USB-A MALE	1	2	3	4	SHELL
MINI USB 4P MALE	1	2	3	4	SHELL

ORDERING INFORMATION:

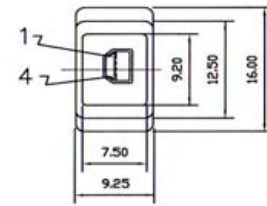
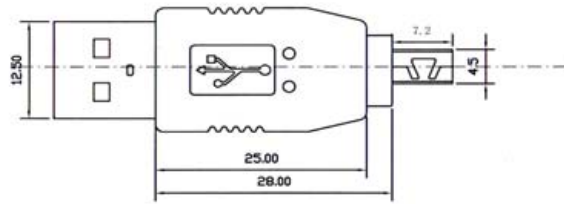
P/N A D U M - 030 B
1 2

1. ADAPTER TYPE:
"030" MINI USB 4P MALE TO
USB A TYPE MALE
2. INSULATOR COLOR:
"B" BLACK

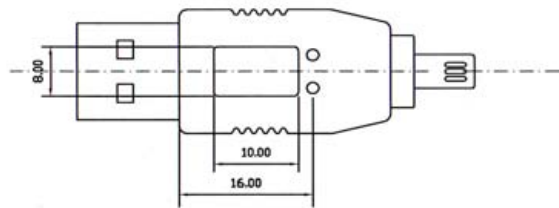
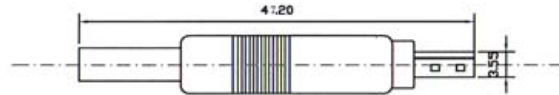
MINI USB 4M TO USB A/M ADAPTER



USB A MALE



MINI USB 4P MALE MITSUMI



PIN ASSIGNMENT

USB-A MALE	1	2	3	4	SHELL
MINI USB 4P MALE	1	2	3	4	SHELL

	DESCRIPTION
1	USB-A TYPE MALE WHITE PASTER CONTACT PLATED: GOLD FLASH
2	PVC MOLDED COLOR: BLACK
3	INTERNAL WIRES: UL1007 30AWG
4	MINI USB 4P MALE BLACK MITSUMI CONTACT PLATED: GOLD FLASH

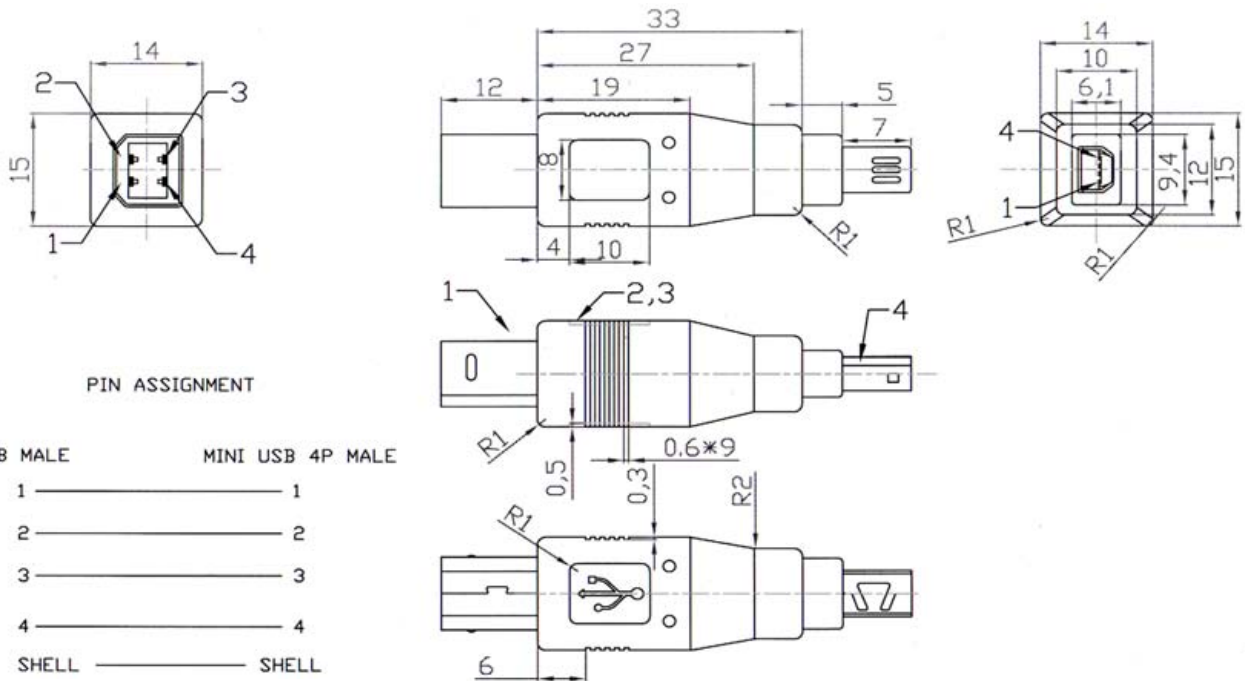
ORDERING INFORMATION:

P/N A D U M - 031 B
 1 2

P/N REVISED

- ADAPTER TYPE:
"031" MINI USB 4P MITSUMI MALE TO USB A TYPE MALE
- INSULATOR COLOR:
"B" BLACK

MINI USB 4M TO USB B/M ADAPTER



	DESCRIPTION
1	USB-B TYPE MALE WHITE PASTER CONTACT PLATED: GOLD FLASH
2	PVC MOLDED COLOR: BLACK
3	INTERNAL WIRES: UL1007 30AWG
4	MINI USB 4P MALE BLACK MITSUMI CONTACT PLATED: G/F

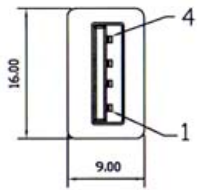
ORDERING INFORMATION:

P/N A D U M - $\frac{032B}{12}$

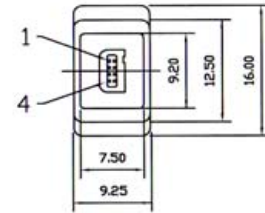
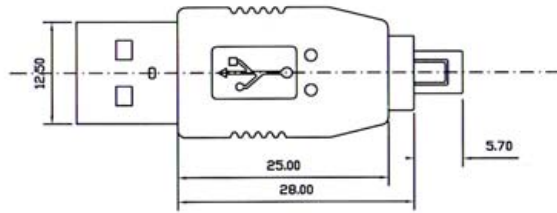
P/N REVISED

- ADAPTER TYPE:
"032" MINI USB 4P MITSUMI MALE TO USB B TYPE MALE
- INSULATOR COLOR:
"B" BLACK

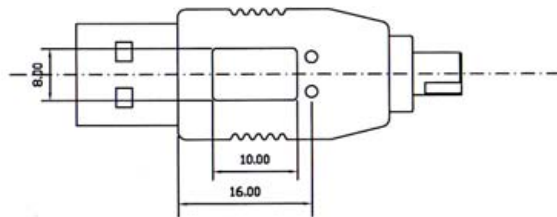
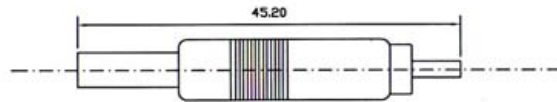
MINI USB 4M TO USB A/M ADAPTER



USB A MALE



MINI USB 4P MALE



PIN ASSIGNMENT

USB-A MALE	1	2	3	4	SHELL
MINI USB 4P MALE	1	2	3	4	SHELL

	DESCRIPTION
1	USB-A TYPE MALE WHITE PASTERN CONTACT PLATED: GOLD FLASH
2	PVC MOLDED COLOR: BLACK
3	INTERNAL WIRES: UL1007 30AWG
4	MINI USB 4P MALE BLACK HIROSE CONTACT PLATED: GOLD FLASH

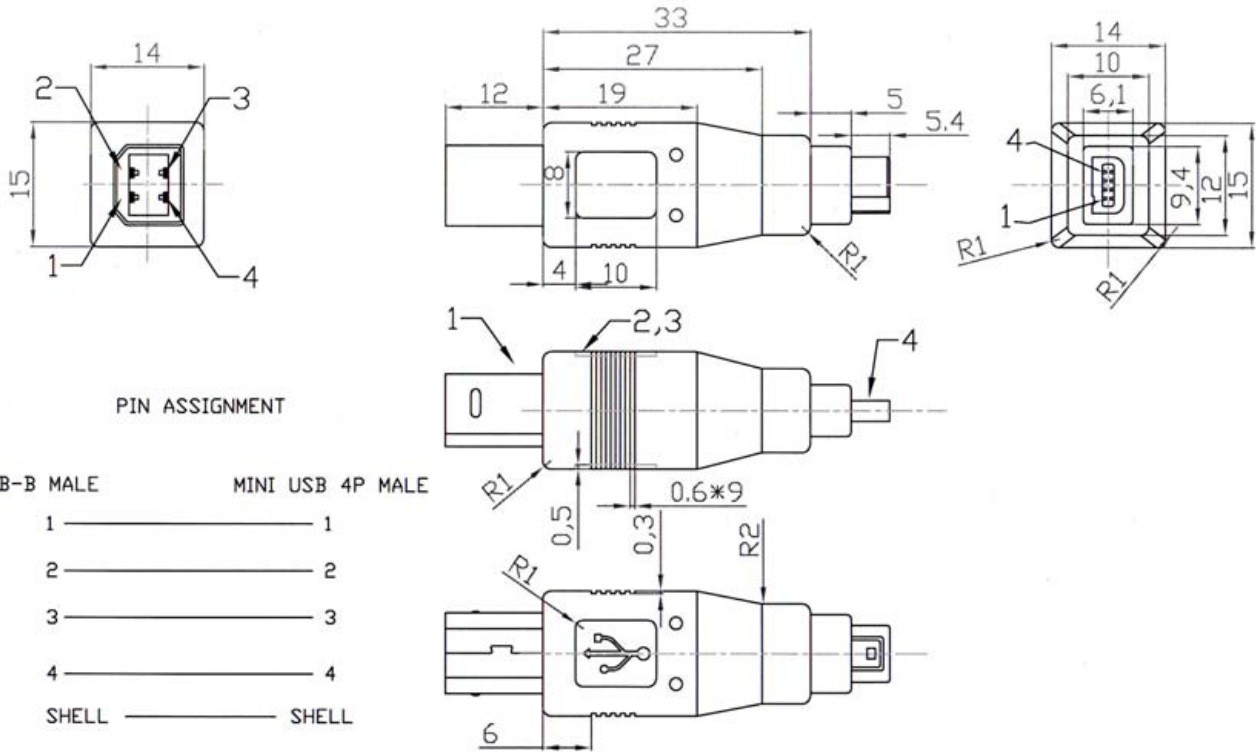
ORDERING INFORMATION:

P/N A D U M - 033
 1 2

P/N REVISED

1. ADAPTER TYPE:
"033" MINI USB 4P HIROSE MALE TO USB A TYPE MALE
2. INSULATOR COLOR:
"B" BLACK

MINI USB 4M TO USB B/M ADAPTER



	DESCRIPTION
1	USB-B TYPE MALE WHITE PASTER CONTACT PLATED: GOLD FLASH
2	PVC MOLDED COLOR: BLACK
3	INTERNAL WIRES: UL1007 30AWG
4	MINI USB 4P MALE WHITE HIROSE SINGLE KEY CONTACT PLATED: G/F

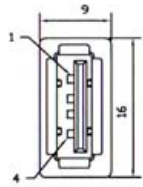
ORDERING INFORMATION:

P/N A D U M - $\frac{034B}{12}$

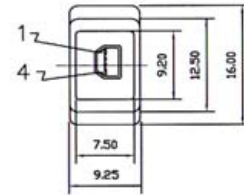
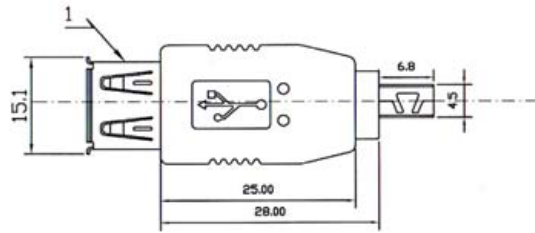
P/N REVISED

- ADAPTER TYPE:
"034" MINI USB 4P HIROSE MALE TO USB B TYPE MALE
- INSULATOR COLOR:
"B" BLACK

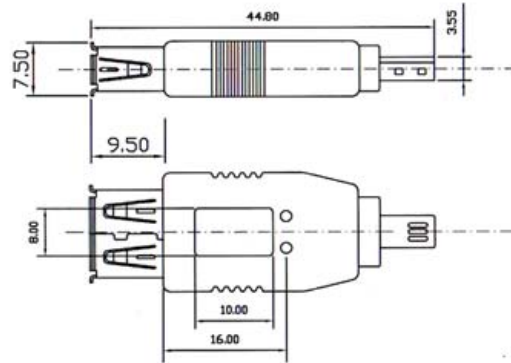
MINI USB 4M TO USB A/F ADAPTER



USB-A FEMALE



MINI USB 4P MALE MITSUMI



PIN ASSIGNMENT

USB-A FEMALE	1	2	3	4	SHELL
MINI USB 4P MALE	1	2	3	4	SHELL

	DESCRIPTION
1	USB-A TYPE FEMALE WHITE PASTERN CONTACT PLATED: GOLD FLASH
2	PVC MOLDED COLOR: BLACK
3	INTERNAL WIRES: UL1007 30AWG
4	MINI USB 4P MALE BLACK MITSUMI CONTACT PLATED: GOLD FLASH

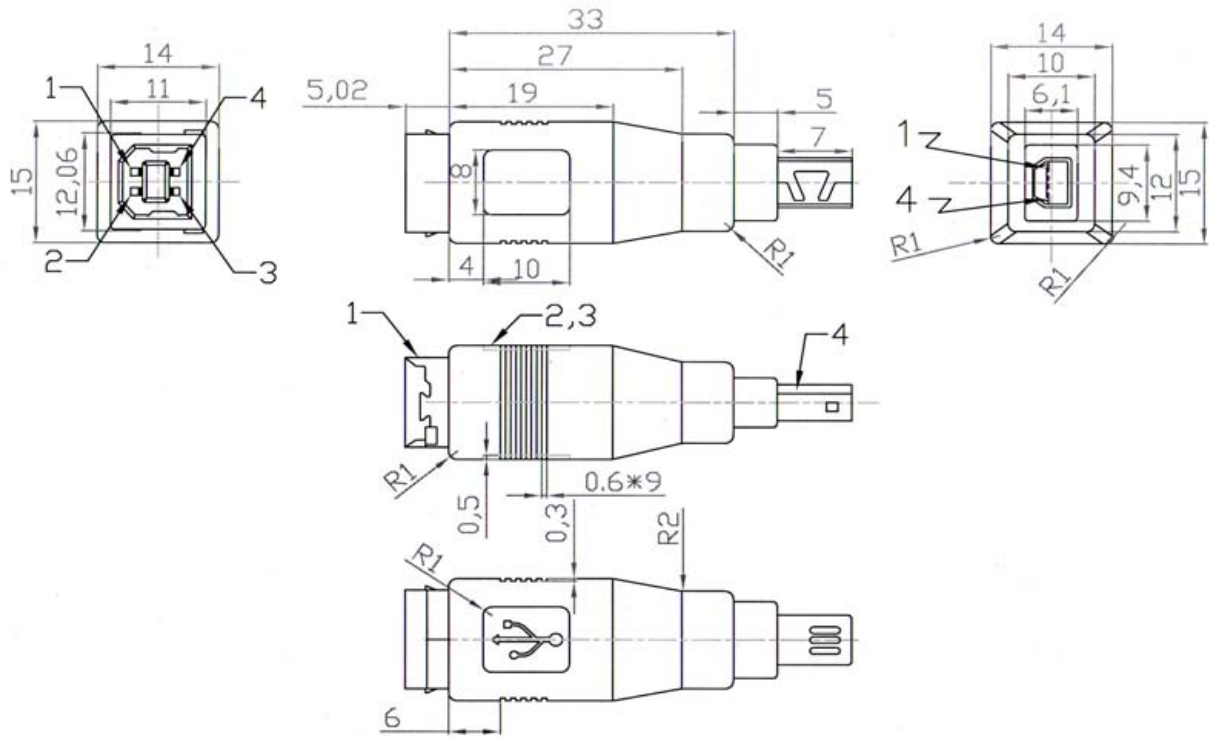
ORDERING INFORMATION:

P/N A D U M - $\frac{035B}{12}$

P/N REVISED

- ADAPTER TYPE:
"035" MINI USB 4P MITSUMI MALE TO USB A TYPE FEMALE
- INSULATOR COLOR:
"B" BLACK

MINI USB 4M TO USB B/F ADAPTER



USB-B FEMALE	1	2	3	4
PIN ASSIGNMENT				
MINI USB 4P MALE	1	2	3	4

	DESCRIPTION
1	USB-B TYPE FEMALE WHITE PASTER CONTACT PLATED: GOLD FLASH
2	PVC MOLDED COLOR: BLACK
3	INTERNAL WIRES: UL1007 30AWG
4	MINI USB 4P MALE BLACK B TYPE CONTACT PLATED: G/F

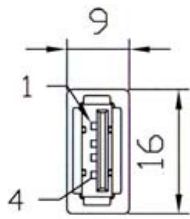
ORDERING INFORMATION:

P/N A D U M - $\frac{036}{1} \frac{B}{2}$

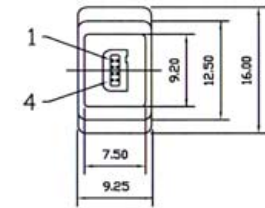
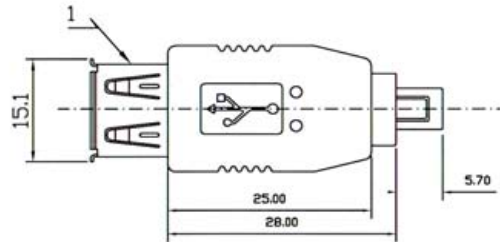
P/N REVISED

- ADAPTER TYPE:
"036" MINI USB 4 PIN MITSUMI MALE TO
USB B TYPE FEMALE
- INSULATOR COLOR:
"B" BLACK

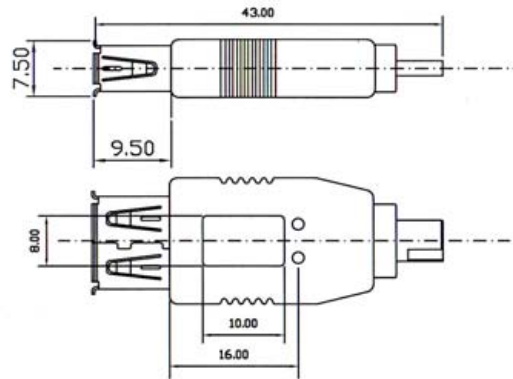
MINI USB 4M TO USB A/F ADAPTER



USB-A FEMALE



MINI USB 4P MALE



PIN ASSIGNMENT

USB-A FEMALE	1	2	3	4	SHELL
MINI USB 4P MALE	1	2	3	4	SHELL

	DESCRIPTION
1	USB-A TYPE FEMALE WHITE PASTER CONTACT PLATED: GOLD FLASH
2	PVC MOLDED COLOR: BLACK
3	INTERNAL WIRES: UL1007 30AWG
4	MINI USB 4P MALE BLACK B HIROSE CONTACT PLATED: GOLD FLASH

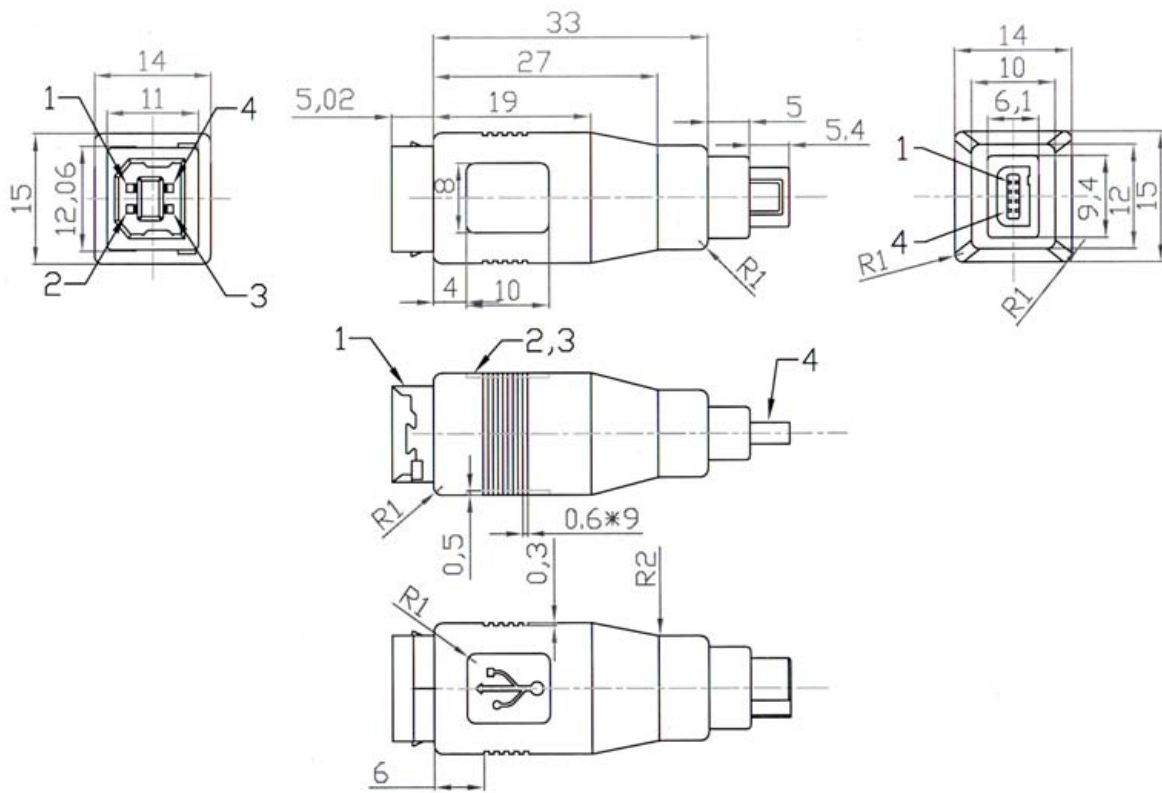
ORDERING INFORMATION:

P/N A D U M - $\frac{037B}{12}$

P/N REVISED

- ADAPTER TYPE:
"037" MINI USB 4P HIROSE MALE TO USB A TYPE FEMALE
- INSULATOR COLOR:
"B" BLACK

MINI USB 4M TO USB B/F ADAPTER



	USB-B FEMALE	1	2	3	4	SHELL
PIN ASSIGNMENT						
	MINI USB 4P MALE	1	2	3	4	SHELL

	DESCRIPTION
1	USB-B TYPE FEMALE WHITE PASTERN CONTACT PLATED: GOLD FLASH
2	PVC MOLDED COLOR: BLACK
3	INTERNAL WIRES: UL1007 30AWG
4	MINI USB 4P MALE BLACK HIROSE SINGLE KEY CONTACT PLATED: G/F

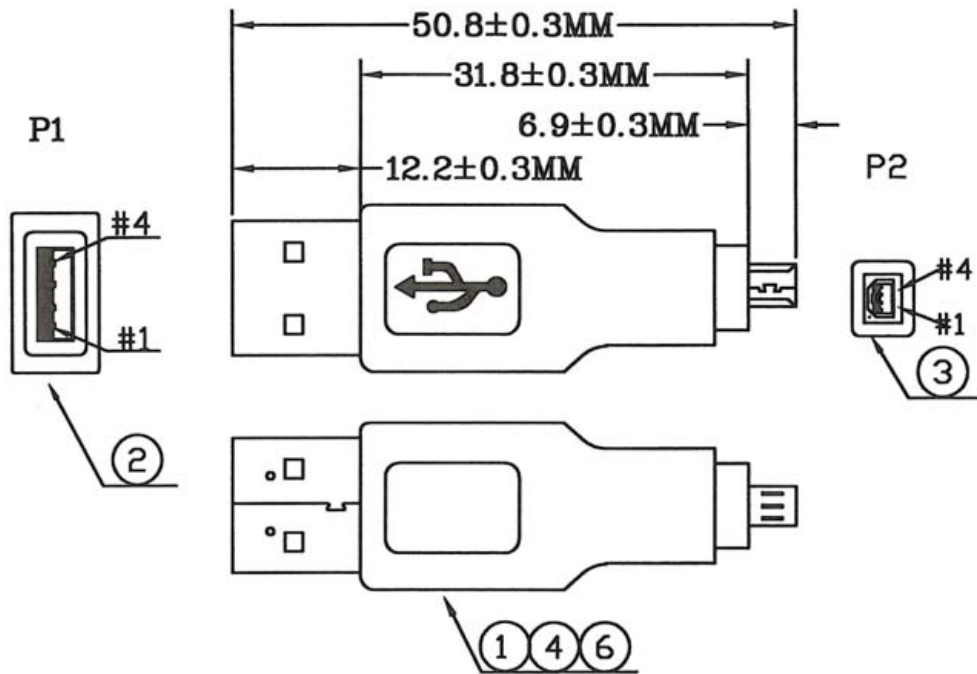
ORDERING INFORMATION:

P/N A D U M - $\frac{038B}{12}$

P/N REVISED

- ADAPTER TYPE:
"038" MINI USB 4 PIN HIROSE MALE TO
USB B TYPE FEMALE
- INSULATOR COLOR:
"B" BLACK

MINI USB MITSUMI 4M TO USB A/M ADAPTER



PIN ASSIGNMENT

P1	P2
1	4
2	3
3	2
4	1
S	S

ORDERING INFORMATION:

P/N A D U M - $\frac{044}{1} \frac{B}{2}$

- ADAPTER TYPE:
"044" MINI USB MITSUMI 4 PIN MALE TO
USB A TYPE MALE
- INSULATOR COLOR:
"B" BLACK

MINI USB 5AM TO USB A/M ADAPTER

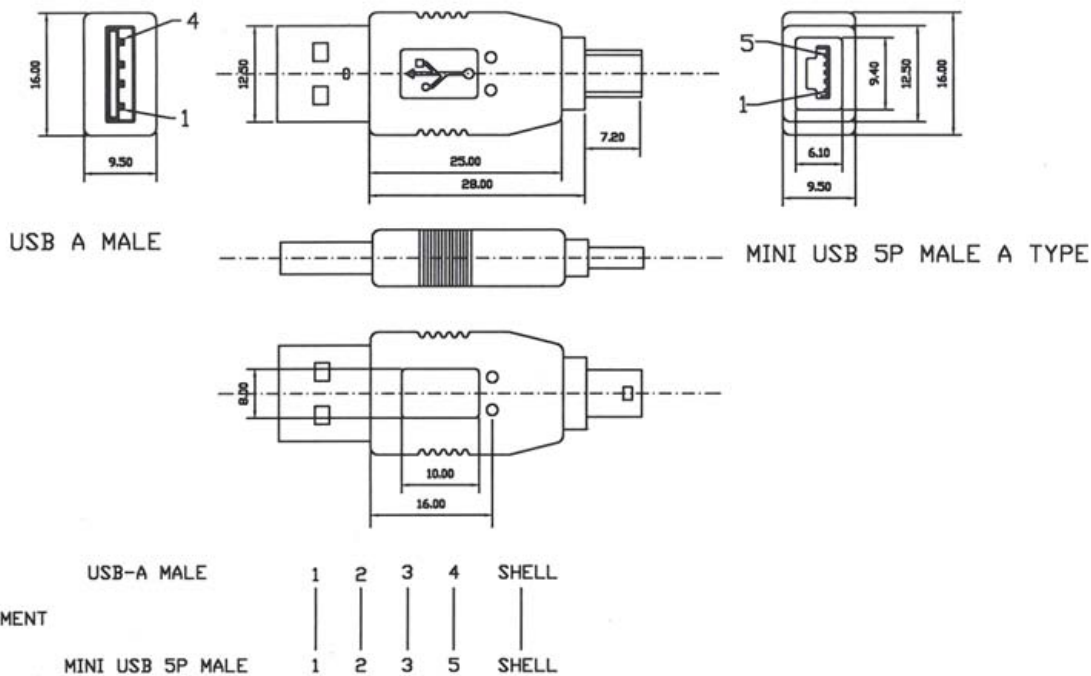
SPECIFICATIONS

HI-POT: 250V

Insulation Resistance: 10M Ohm

Contact Resistance: 3 Ohm

*RoHS & REACH compliant.

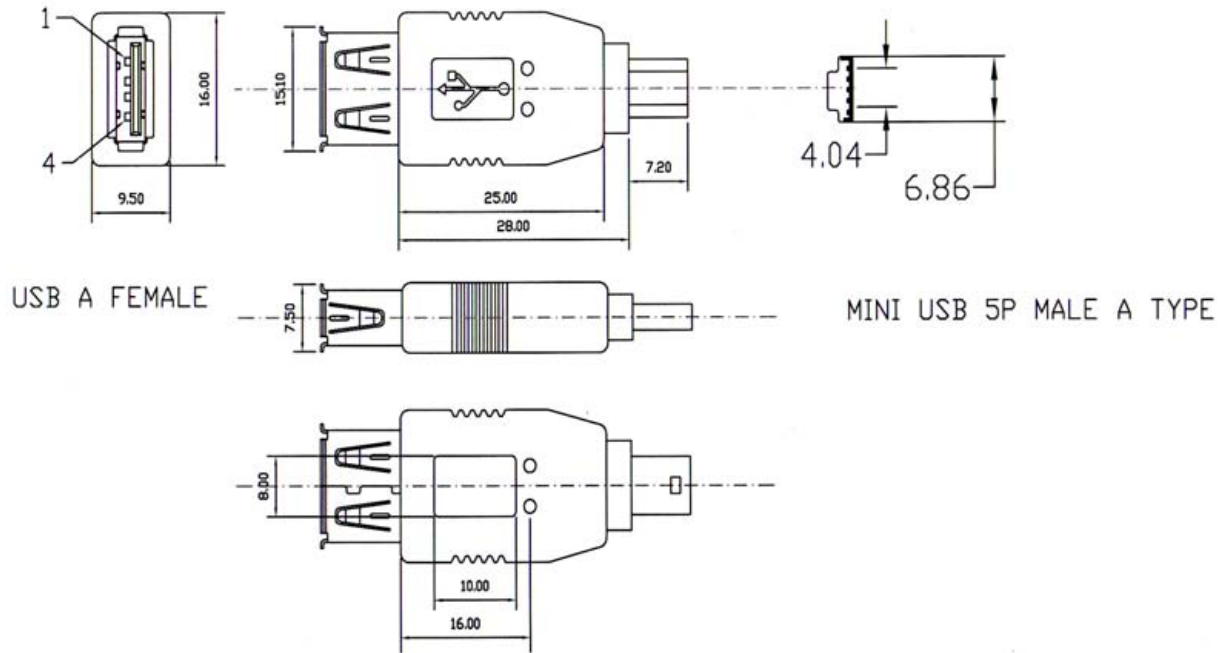


ORDERING INFORMATION:

P/N A D U M - 001 B
1 2

- ADAPTER TYPE:
"001" MINI USB 5P A TYPE MALE TO
USB A TYPE MALE
- INSULATOR COLOR:
"B" BLACK

MINI USB 5AM TO USB A/F ADAPTER



	USB-A FEMALE	1	2	3	4	SHELL
PIN ASSIGNMENT						
	MINI USB 5P MALE	1	2	3	5	SHELL

	DESCRIPTION
1	USB-A TYPE FEMALE WHITE PASTERN CONTACT PLATED: GOLD FLASH
2	PVC MOLDED COLOR: BLACK
3	INTERNAL WIRES: UL1007 30AWG
4	MINI USB 5P MALE BLACK A TYPE CONTACT PLATED: GOLD FLASH

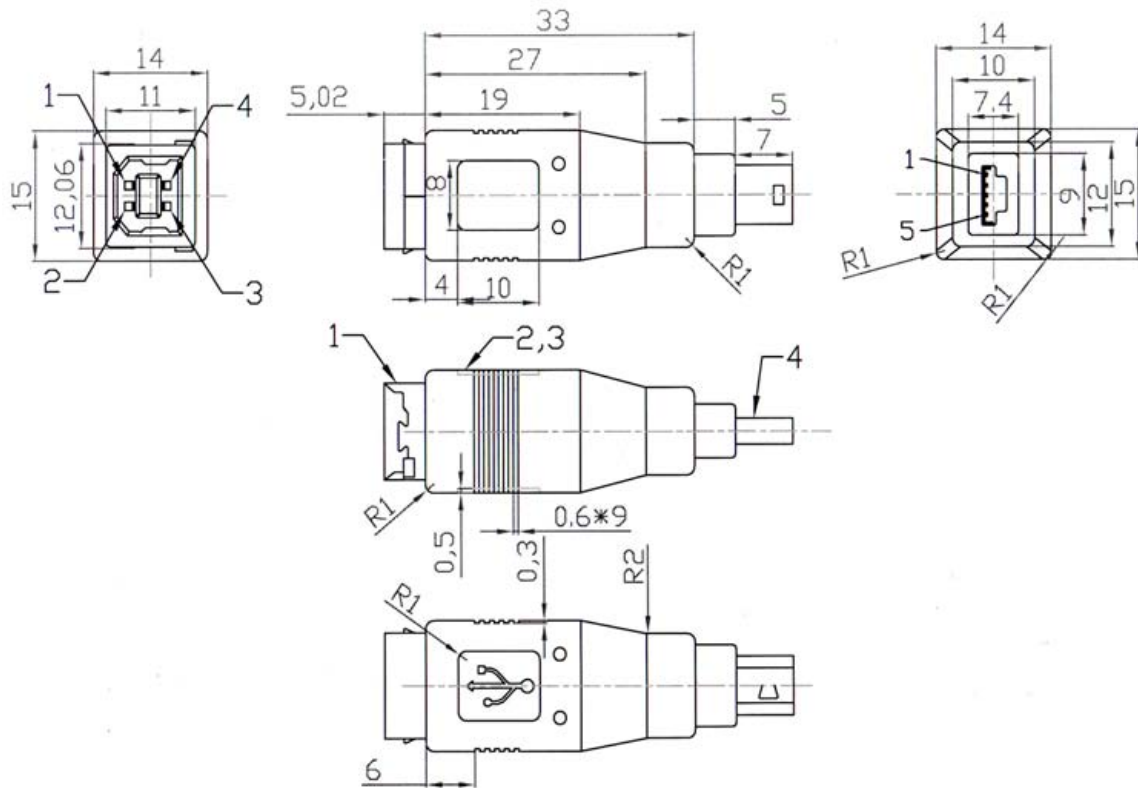
ORDERING INFORMATION:

P/N A D U M - $\frac{005}{1} \frac{B}{2}$

P/N REVISED

- 1. ADAPTER TYPE:
"005" MINI USB 5P A TYPE MALE TO USB A TYPE FEMALE
- 2. INSULATOR COLOR:
"B" BLACK

MINI USB 5AM TO USB B/F ADAPTER



	USB-B FEMALE	1	2	3	4	SHELL
PIN ASSIGNMENT						
	MINI USB 5P MALE	1	2	3	5	SHELL

	DESCRIPTION
1	USB-B TYPE FEMALE WHITE PASTERN CONTACT PLATED: GOLD FLASH
2	PVC MOLDED COLOR: BLACK
3	INTERNAL WIRES: UL1007 30AWG
4	MINI USB 5P MALE BLACK A TYPE CONTACT PLATED: GOLD FLASH

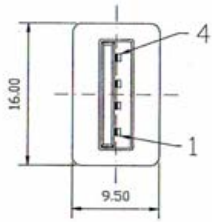
ORDERING INFORMATION:

P/N A D U M - $\frac{013B}{12}$

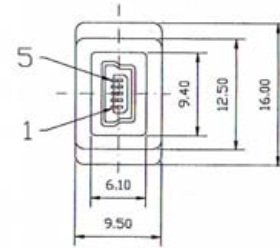
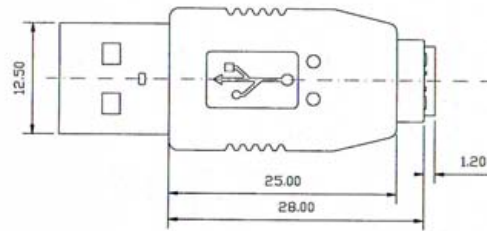
P/N REVISED

- ADAPTER TYPE:
"013" MINI USB 5P A TYPE MALE TO USB B TYPE FEMALE
- INSULATOR COLOR:
"B" BLACK

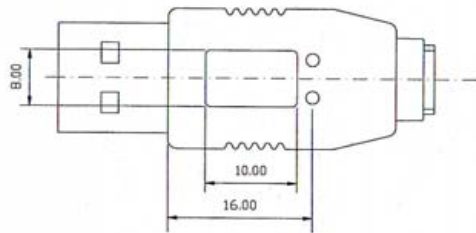
MINI USB 5BF TO USB A/M ADAPTER



USB A MALE



MINI USB 5P FEMALE



	USB-A MALE	1	2	3	4	SHELL
PIN ASSIGNMENT						
	MINI USB 5P FEMALE	1	2	3	5	SHELL

	DESCRIPTION
1	USB-A TYPE MALE WHITE PASTER CONTACT PLATED: GOLD FLASH
2	PVC MOLDED COLOR: BLACK
3	INTERNAL WIRES: UL1007 30AWG
4	MINI USB 5P FEMALE BLACK PASTER CONTACT PLATED: GOLD FLASH

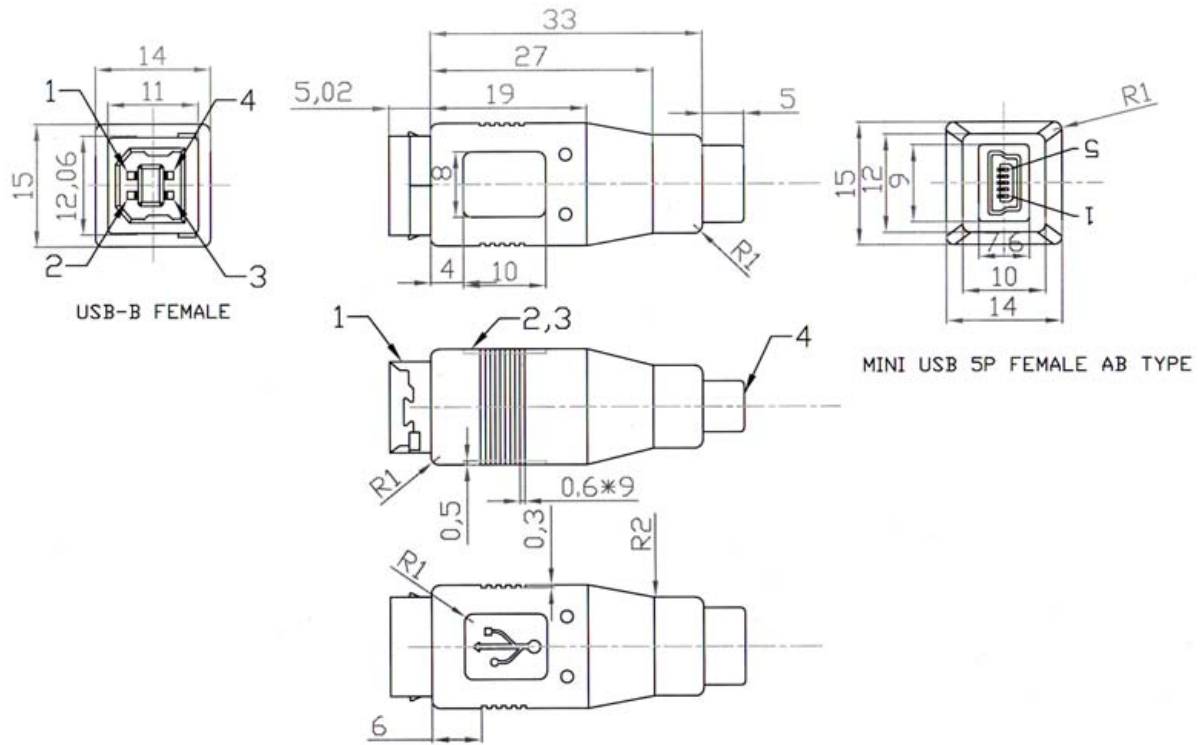
ORDERING INFORMATION:

P/N A D U M - 004 B
 1 2

P/N REVISED

- ADAPTER TYPE:
"004" MINI USB 5 PIN B TYPE FEMALE TO
USB A TYPE MALE
- INSULATOR COLOR:
"B" BLACK

MINI USB 5BF TO USB B/F ADAPTER



USB-B FEMALE	1	2	3	4	SHELL
PIN ASSIGNMENT					
MINI USB 5P FEMALE	1	2	3	5	SHELL

	DESCRIPTION
1	USB-B TYPE FEMALE SHELL PLATED: NICKEL CONTACT: G/F
2	PVC MOLDED COLOR: BLACK
3	INTERNAL WIRES: UL1007 30AWG
4	MINI USB 5P FEMALE AB TYPE SHELL PLATED: NICKEL CONTACT: G/F

ORDERING INFORMATION:

P/N A D U M - $\frac{016B}{12}$

P/N REVISED

- ADAPTER TYPE:
"016" MINI USB 5 PIN B TYPE FEMALE TO
USB B TYPE FEMALE
- INSULATOR COLOR:
"B" BLACK

MINI USB 5BF TO USB B/M ADAPTER

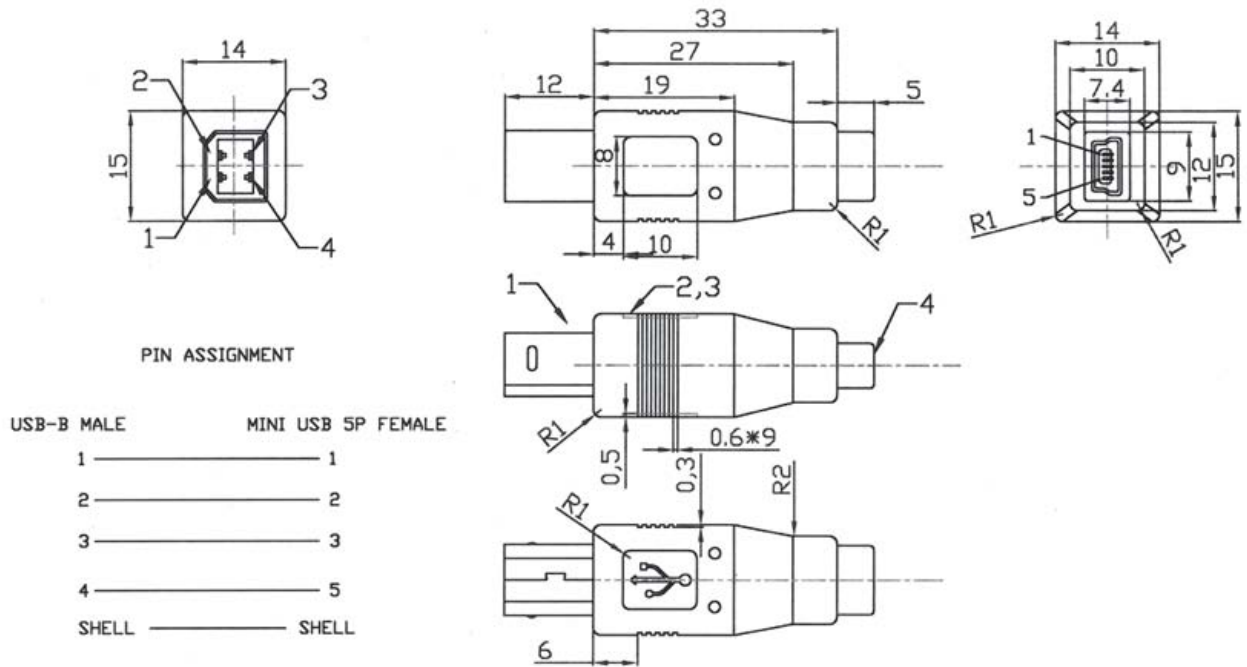
SPECIFICATIONS

HI-POT: 250V

Insulation Resistance: 10M Ohm

Contact Resistance: 3 Ohm

*RoHS & REACH compliant.

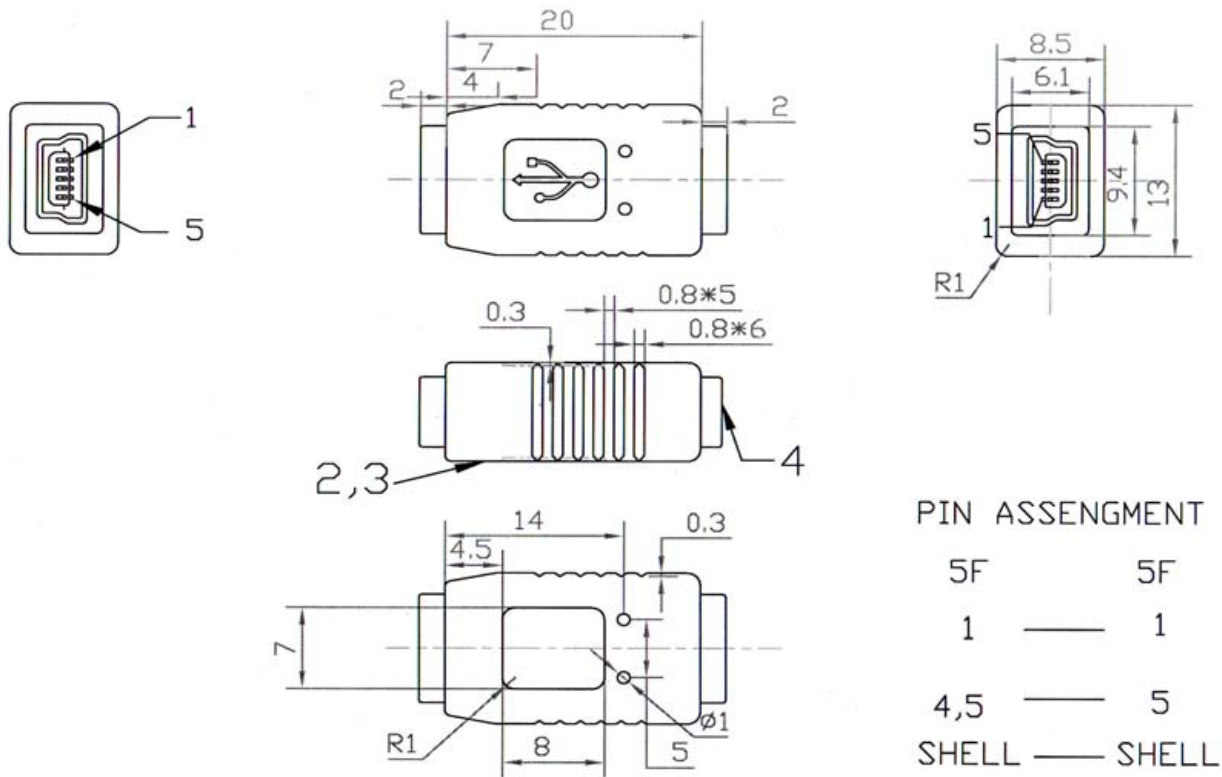


ORDERING INFORMATION:

P/N A D U M - $\frac{012B}{12}$

1. ADAPTER TYPE:
"012" MINI USB 5P B TYPE FEMALE TO
USB B TYPE MALE
2. INSULATOR COLOR:
"B" BLACK

MINI USB 5BF TO 5BF ADAPTER



	DESCRIPTION
1	PVC 55P MOLD BLACK IN COLOR
2	INNER WIER: UL1007 30AWG
3	MINI USB 5P FEMALE 180° SOLDER B TYPE SHELL PLATED: NICKEL CONTACT: G/F

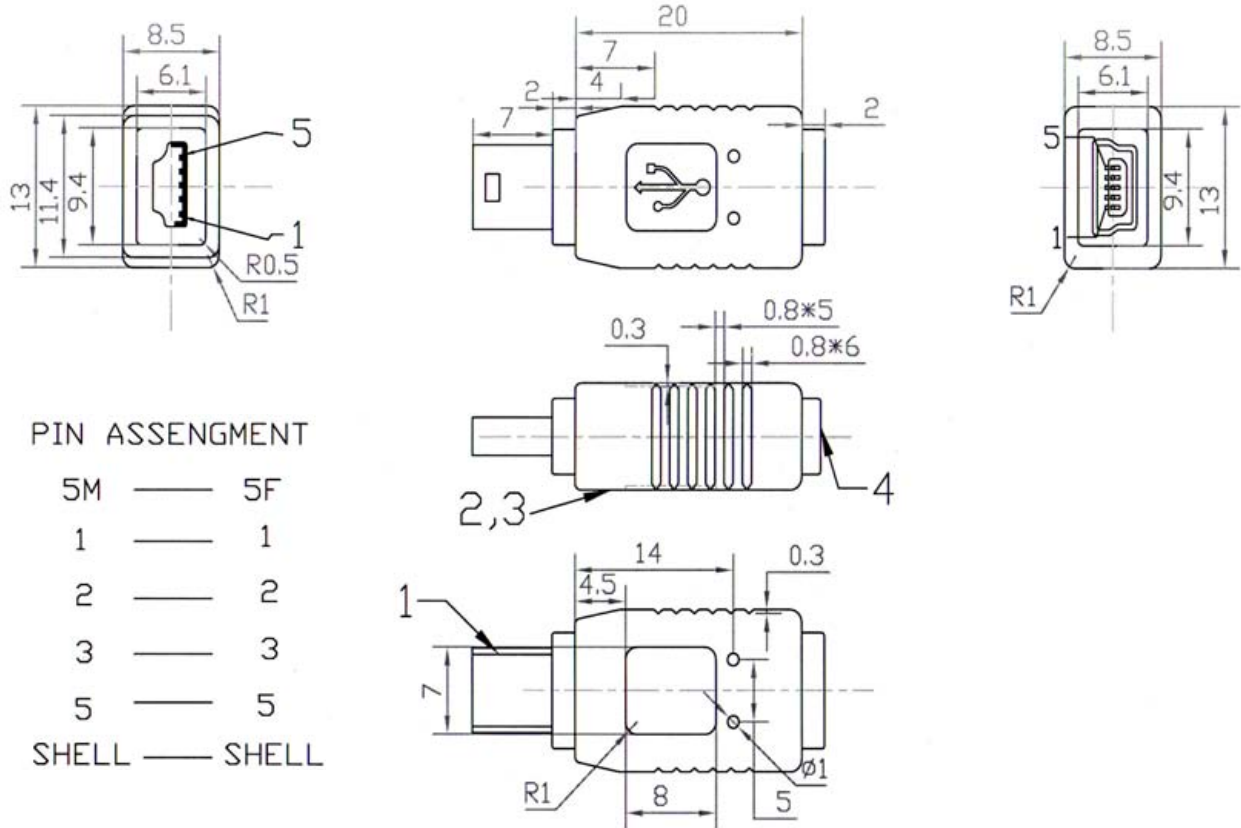
ORDERING INFORMATION:

P/N A D U M - 043 B
1 2

P/N REVISED

- ADAPTER TYPE:
"043" MINI USB 5 PIN B TYPE FEMALE TO
MINI USB 5 PIN B TYPE FEMALE
- INSULATOR COLOR:
"B" BLACK

MINI USB 5BM TO 5BF ADAPTER



PIN ASSENGMENT

5M	—	5F
1	—	1
2	—	2
3	—	3
5	—	5
SHELL	—	SHELL

	DESCRIPTION
1	MINI USB 5 PIN B TYPE MALE SHELL PLATED: NICKEL CONTACT: GOLD FLASH
2	PVC 55P MOLD BLACK IN COLOR
3	INNER WIRE: UL1007 30AWG
4	MINI USB 5P FEMALE 180° SOLDER B TYPE SHELL PLATED: NICKEL CONTACT: G/F

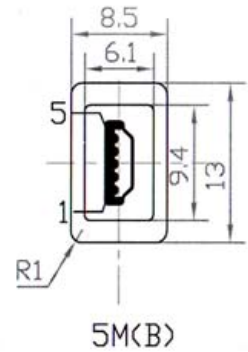
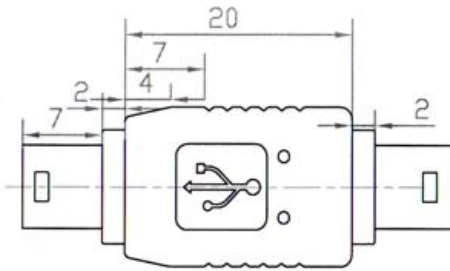
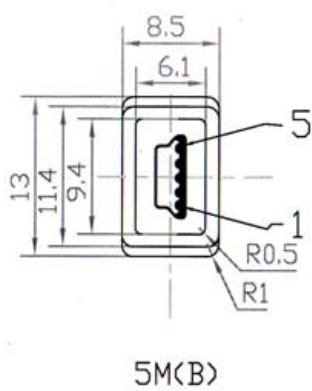
ORDERING INFORMATION:

P/N A D U M - $\frac{042B}{12}$

P/N REVISED

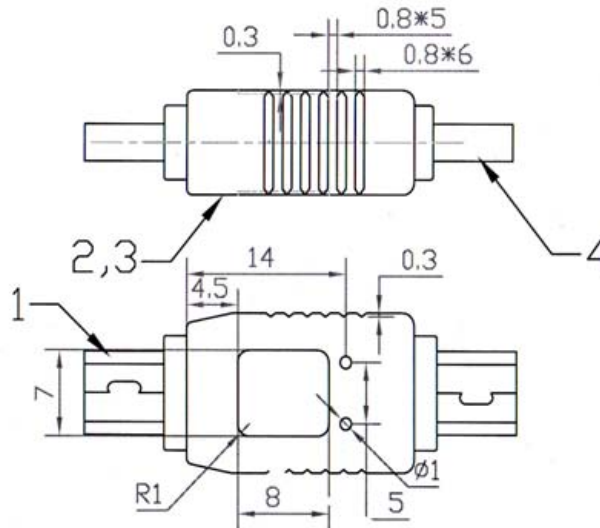
- ADAPTER TYPE:
"042" MINI USB 5 PIN B TYPE MALE TO
MINI USB 5 PIN B TYPE FEMALE
- INSULATOR COLOR:
"B" BLACK

MINI USB 5BM TO 5BM ADAPTER



PIN ASSENGMENT

5M(B)	5M(B)
1	1
2	2
3	3
5	5
SHELL	SHELL



	DESCRIPTION
1	MINI USB 5 PIN B TYPE MALE SHELL PLATED: NICKEL CONTACT: G/F
2	PVC 55P MOLD BLACK IN COLOR
3	INNER WIRE: UL1007 30AWG
4	MINI USB 5 PIN B TYPE MALE SHELL PLATED: NICKEL CONTACT: G/F

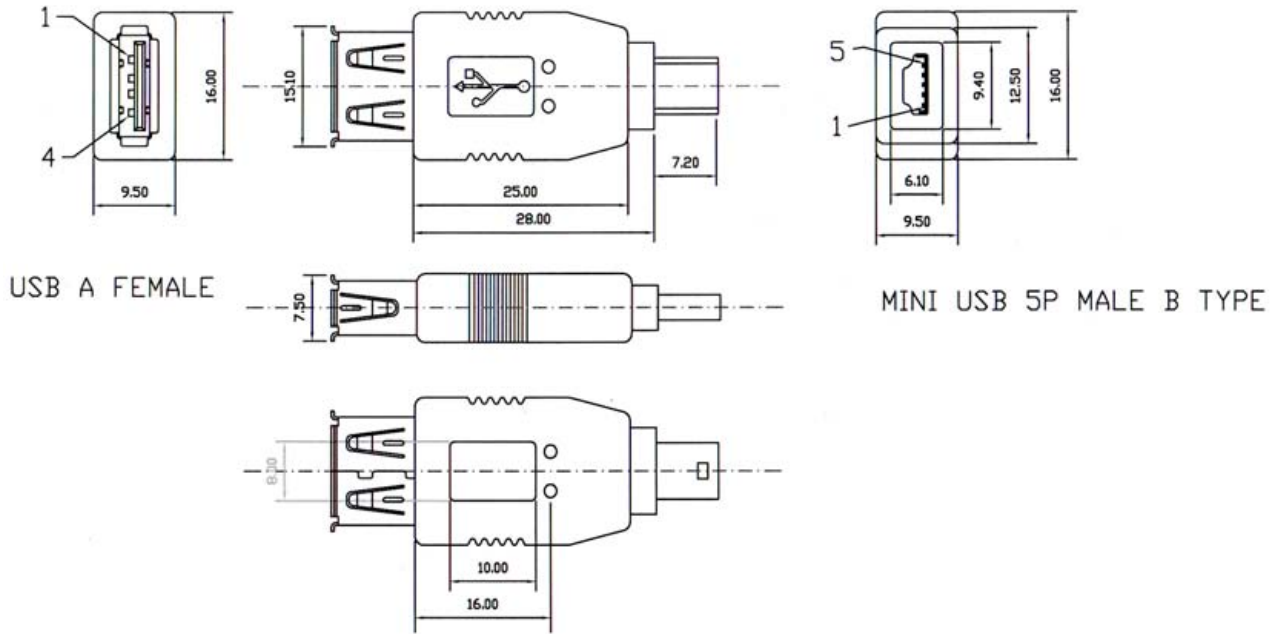
ORDERING INFORMATION:

P/N A D U M - $\frac{041B}{1\ 2}$

P/N REVISED

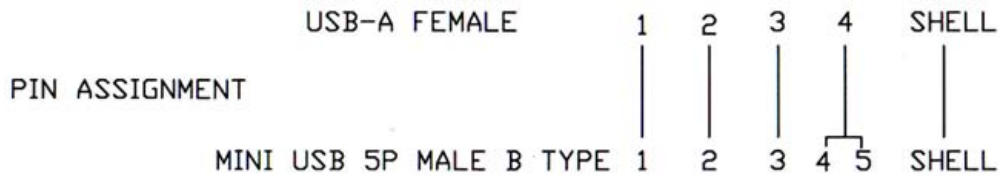
- ADAPTER TYPE:
"041" MINI USB 5 PIN B TYPE MALE TO
MINI USB 5 PIN B TYPE MALE
- INSULATOR COLOR:
"B" BLACK

MINI USB 5BM TO USB A/F ADAPTER



USB A FEMALE

MINI USB 5P MALE B TYPE



	DESCRIPTION
1	USB-A TYPE FEMALE WHITE PASTER CONTACT PLATED: GOLD FLASH
2	PVC MOLDED COLOR: BLACK
3	INTERNAL WIRES: UL1007 30AWG
4	MINI USB 5P B MALE BLACK PASTER CONTACT PLATED: GOLD FLASH

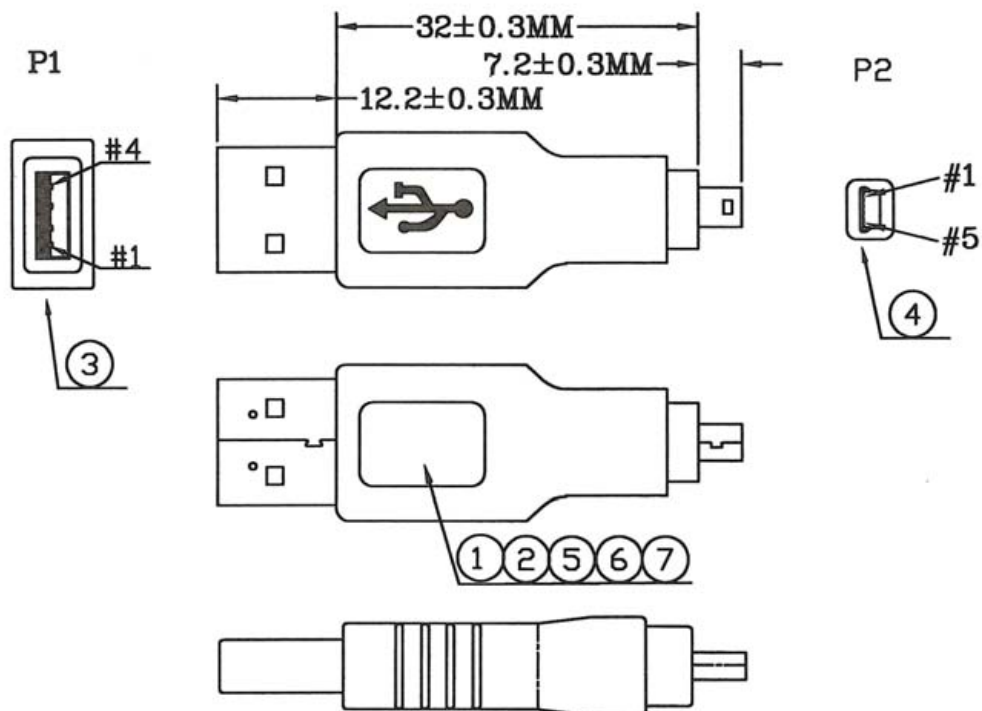
ORDERING INFORMATION:

P/N A D U M - 0 1 7 B
1 2

P/N REVISED

1. ADAPTER TYPE:
"017" MINI USB 5P B TYPE MALE TO USB A TYPE FEMALE
2. INSULATOR COLOR:
"B" BLACK

MINI USB 5BM TO USB A/M ADAPTER



PIN ASSIGNMENT

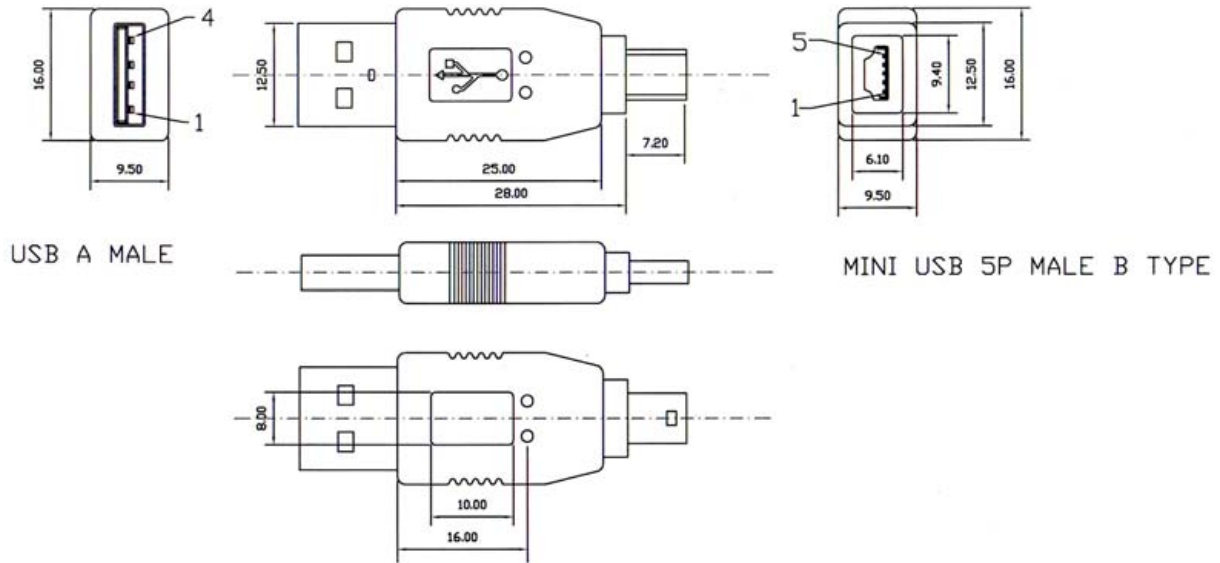
P1	P2
1	1
2	2
3	3
4	5
S	S

ORDERING INFORMATION:

P/N A D U M - 045 B
1 2

- ADAPTER TYPE:
 "045" MINI USB 5 PIN B TYPE MALE TO
 USB A TYPE MALE
- INSULATOR COLOR:
 "B" BLACK

MINI USB 5BM TO USB A/M ADAPTER



PIN ASSIGNMENT		1	2	3	4	SHELL
USB-A MALE		1	2	3	4	SHELL
MINI USB 5P(B) MALE		1	2	3	5	SHELL

	DESCRIPTION
1	USB-A TYPE MALE WHITE PASTER CONTACT PLATED: GOLD FLASH
2	PVC MOLDED COLOR: BLACK
3	INTERNAL WIRES: UL1007 30AWG
4	MINI USB 5P MALE B TYPE BLACK PASTER CONTACT PLATED: GOLD FLASH

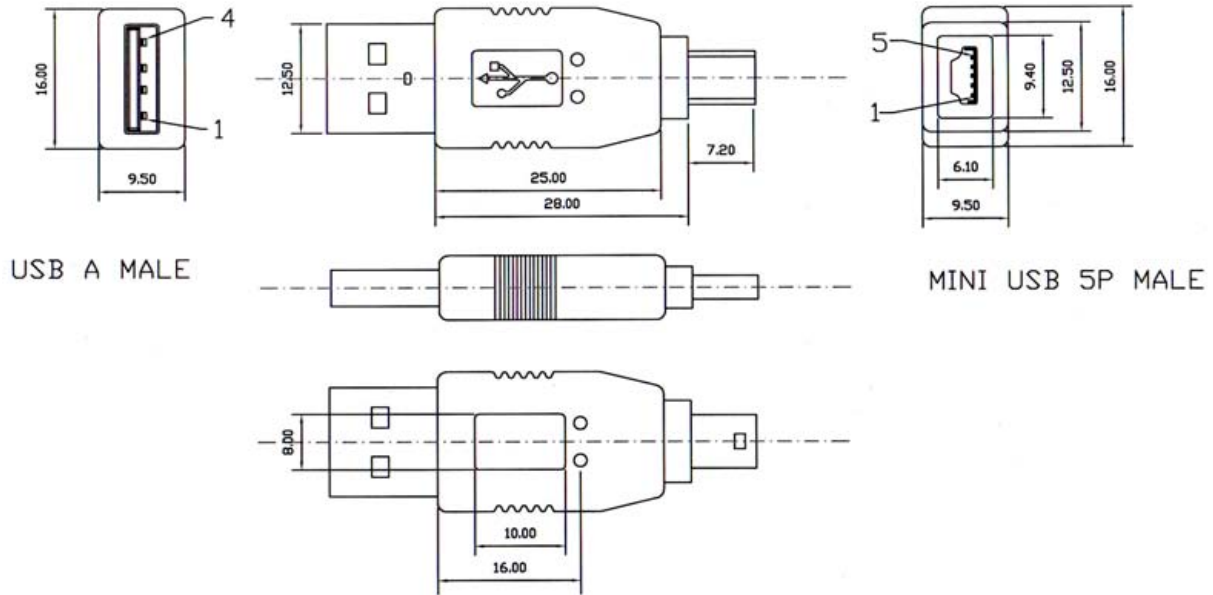
ORDERING INFORMATION:

P/N A D U M - $\frac{002}{1} \frac{B}{2}$

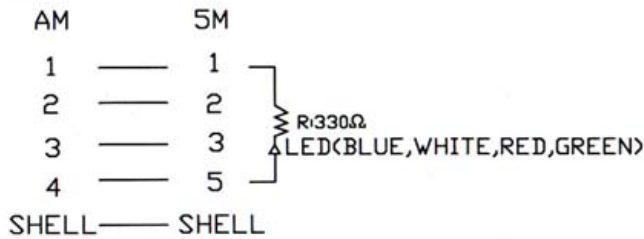
P/N REVISED

- ADAPTER TYPE:
"002" MINI USB 5P B TYPE MALE TO USB A TYPE MALE
- INSULATOR COLOR:
"B" BLACK

MINI USB 5BM TO USB A/M ADAPTER WITH LED



PIN ASSIGNMENT



	DESCRIPTION
1	USB-A TYPE MALE WHITE PASTER CONTACT PLATED: GOLD FLASH
2	PVC MOLDED WITH TRANSPARENT IN COLOR
3	INTERNAL WIRES: UL1007 30AWG
4	MINI USB 5P MALE BLACK PASTER CONTACT PLATED: GOLD FLASH

ORDERING INFORMATION:

P/N A D U M - $\frac{022}{1} \frac{x}{2}$

P/N REVISED

- ADAPTER TYPE:
"022" MINI USB 5P B TYPE MALE TO
USB A TYPE MALE WITH LED
- LED COLOR:
"N" GREEN
"R" RED
"U" BLUE
"W" WHITE

MINI USB 5BM TO USB B/F ADAPTER

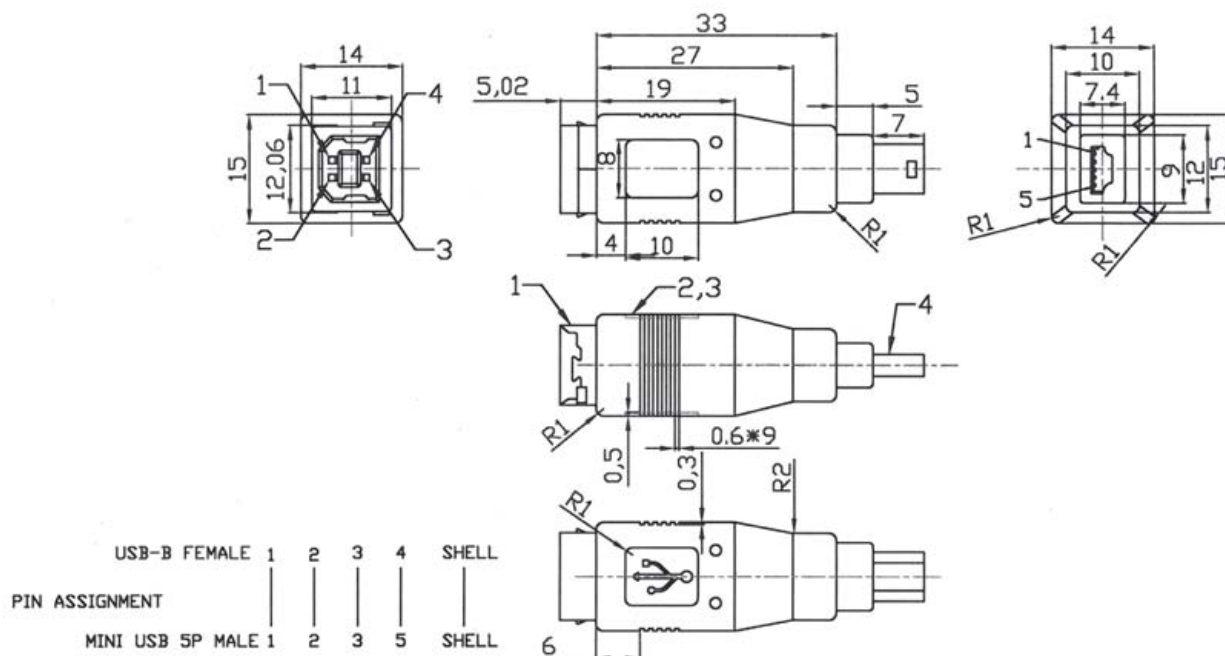
SPECIFICATIONS

HI-POT: 250V

Insulation Resistance: 10M Ohm

Contact Resistance: 3 Ohm

*RoHS & REACH compliant.



ORDERING INFORMATION:

P/N A D U M - 014 B
 1 2

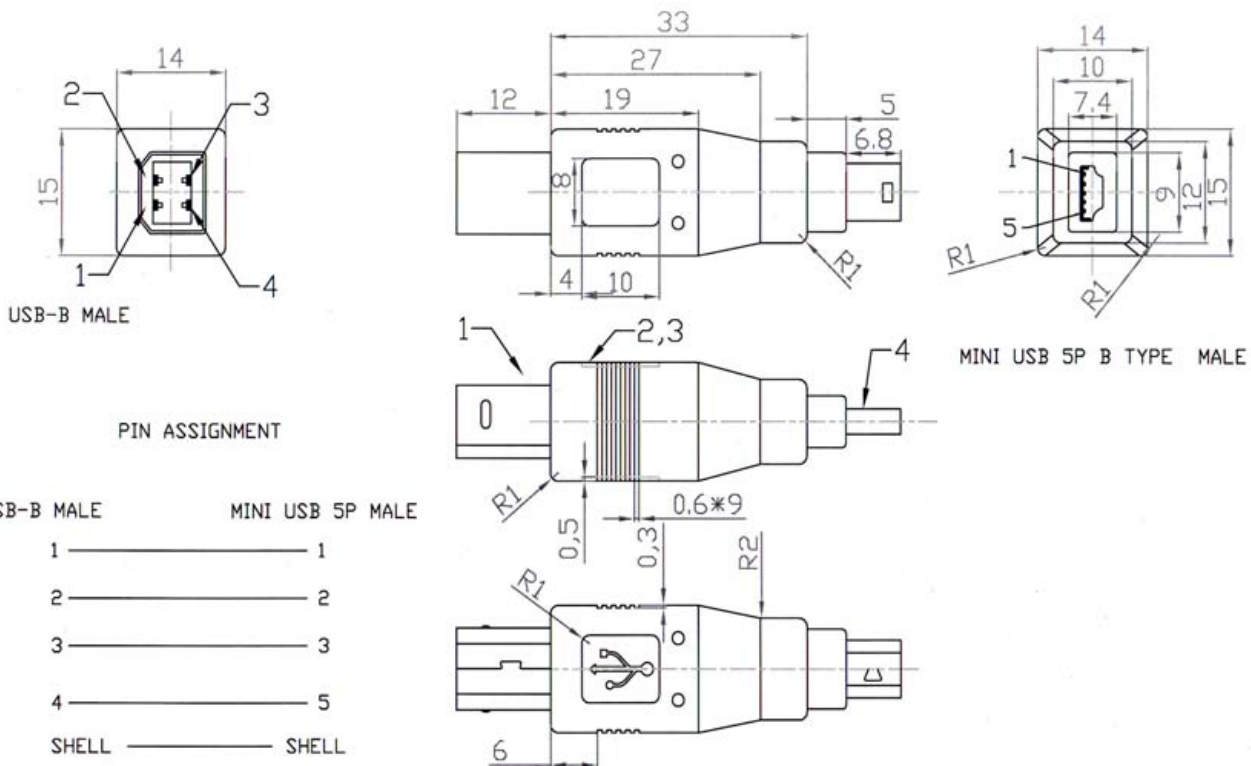
1. ADAPTER TYPE:

"014" MINI USB 5P B TYPE MALE TO
USB B TYPE FEMALE

2. INSULATOR COLOR:

"B" BLACK

MINI USB 5BM TO USB B/M ADAPTER



	DESCRIPTION
1	USB-B TYPE MALE SHELL PLATED: NICKEL CONTACT: G/F
2	PVC MOLDED COLOR: BLACK
3	INTERNAL WIRES: UL1007 30AWG
4	MINI USB 5P B TYPE MALE SHELL PLATED: NICKEL CONTACT: G/F

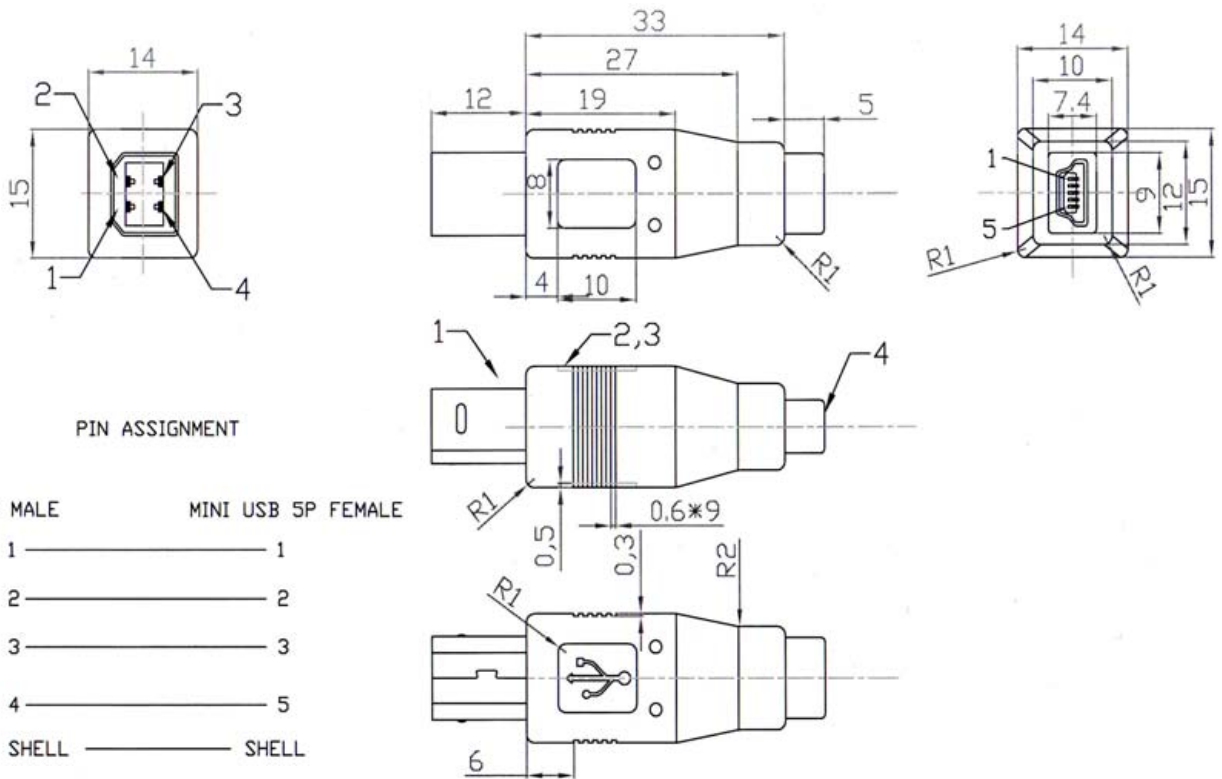
ORDERING INFORMATION:

P/N A D U M - $\frac{010B}{12}$

P/N REVISED

- ADAPTER TYPE:
"010" MINI USB 5 PIN B TYPE MALE TO
USB B TYPE MALE
- INSULATOR COLOR:
"B" BLACK

MINI USB 5AF TO USB B/M ADAPTER



	DESCRIPTION
1	USB-B TYPE MALE WHITE PASTER CONTACT PLATED: GOLD FLASH
2	PVC MOLDED COLOR: BLACK
3	INTERNAL WIRES: UL1007 30AWG
4	MINI USB 5P FEMALE BLACK A TYPE CONTACT PLATED: GOLD FLASH

ORDERING INFORMATION:

P/N A D U M - $\frac{011B}{1\ 2}$

P/N REVISED

- ADAPTER TYPE:
"011" MINI USB 5P A TYPE FEMALE TO USB B TYPE MALE
- INSULATOR COLOR:
"B" BLACK

MINI USB 8P MINOLTA MALE TO USB B/F ADAPTER

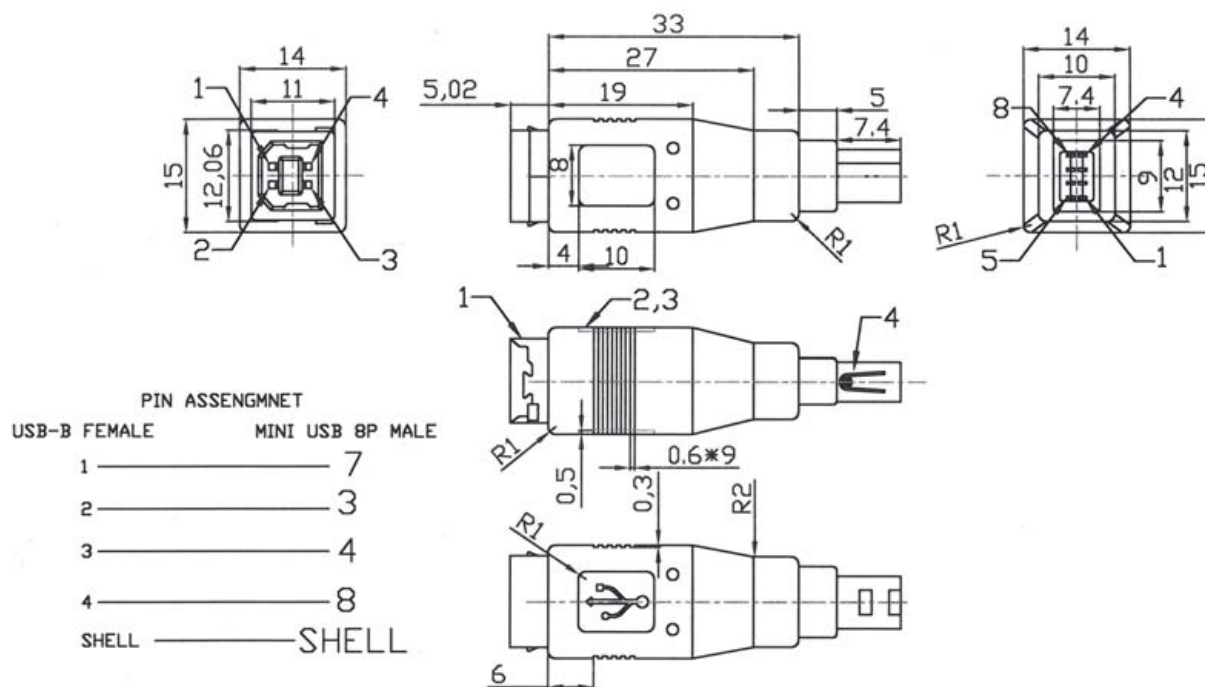
SPECIFICATIONS

HI-POT: 250V

Insulation Resistance: 10M Ohm

Contact Resistance: 3 Ohm

*RoHS & REACH compliant.



ORDERING INFORMATION:

P/N A D U M - 0 2 4 B
1 2

- ADAPTER TYPE:
"024" MINI USB 8P MINOLTA MALE TO
USB B TYPE FEMALE
- INSULATOR COLOR:
"B" BLACK

MINI USB 8P NIKON MALE TO USB B/F ADAPTER

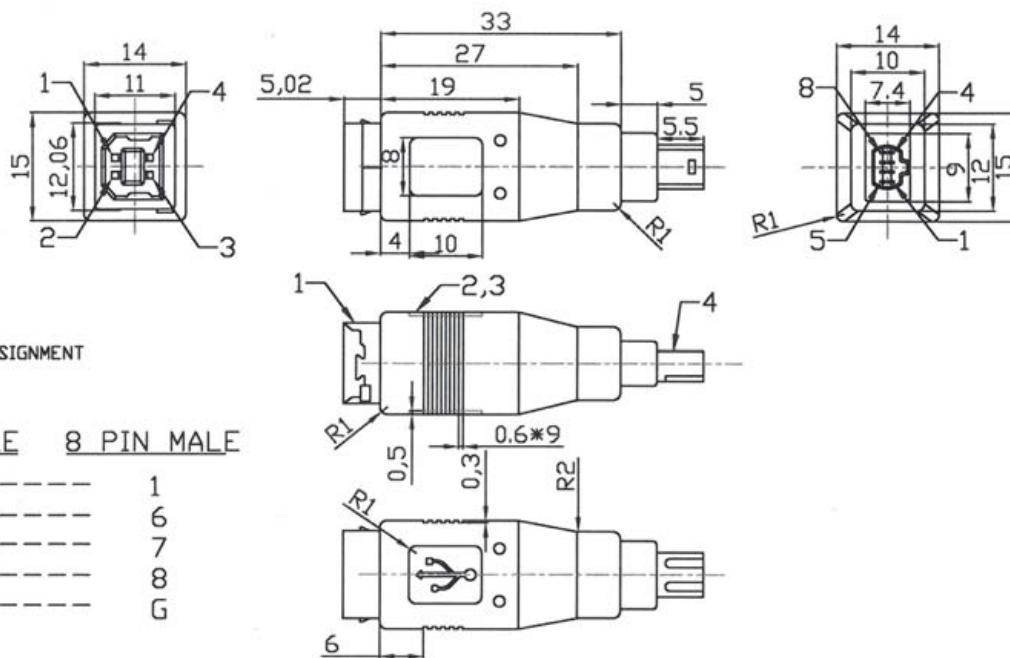
SPECIFICATIONS

HI-POT: 250V

Insulation Resistance: 10M Ohm

Contact Resistance: 3 Ohm

*RoHS & REACH compliant.



PIN ASSIGNMENT

USB-B FEMALE		8 PIN MALE
1	---	1
2	---	6
3	---	7
4	---	8
G	---	G

ORDERING INFORMATION:

P/N A D U M - 0 2 6 B
 1 2

- ADAPTER TYPE:
"026" MINI USB 8P NIKON MALE TO
USB B TYPE FEMALE
- INSULATOR COLOR:
"B" BLACK

MINI USB 8P OLYMPUS MALE TO USB B/F ADAPTER

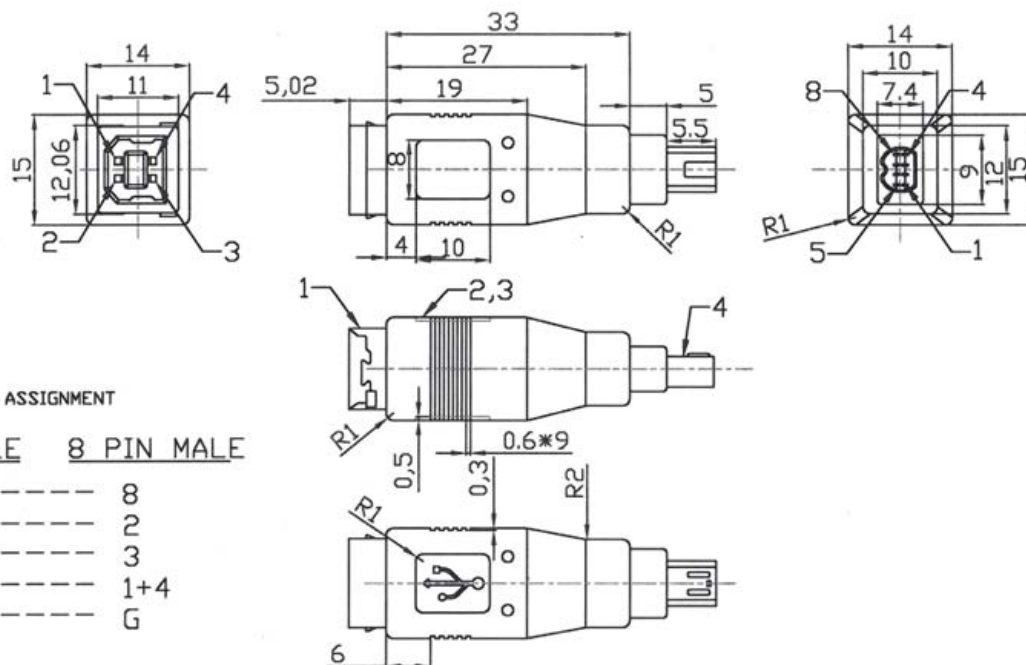
SPECIFICATIONS

HI-POT: 250V

Insulation Resistance: 10M Ohm

Contact Resistance: 3 Ohm

*RoHS & REACH compliant.



PIN ASSIGNMENT

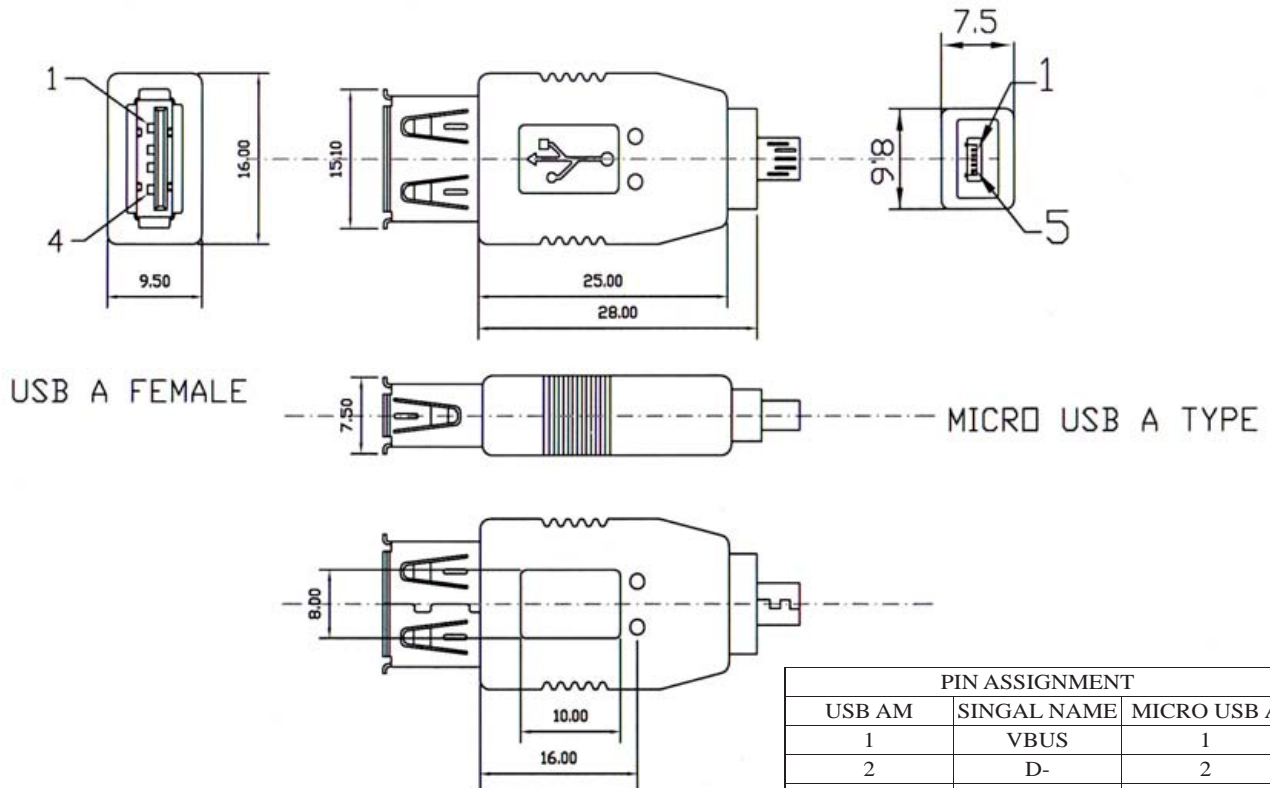
USB-B FEMALE	8 PIN MALE
1	8
2	2
3	3
4	1+4
G	G

ORDERING INFORMATION:

P/N A D U M - 0 2 3 B
 1 2

1. ADAPTER TYPE:
"023" MINI USB 8P OLYMPUS MALE TO
USB B TYPE FEMALE
2. INSULATOR COLOR:
"B" BLACK

MICRO USB 5AM TO USB A/F ADAPTER



	DESCRIPTION
1	USB-A TYPE FEMALE WHITE PASTERN CONTACT PLATED: GOLD FLASH
2	PVC MOLDED COLOR: BLACK
3	INTERNAL WIRES: UL1007 30AWG
4	MICRO USB A TYPE MALE SHELL PLATED: NICKEL CONTACT: G/F

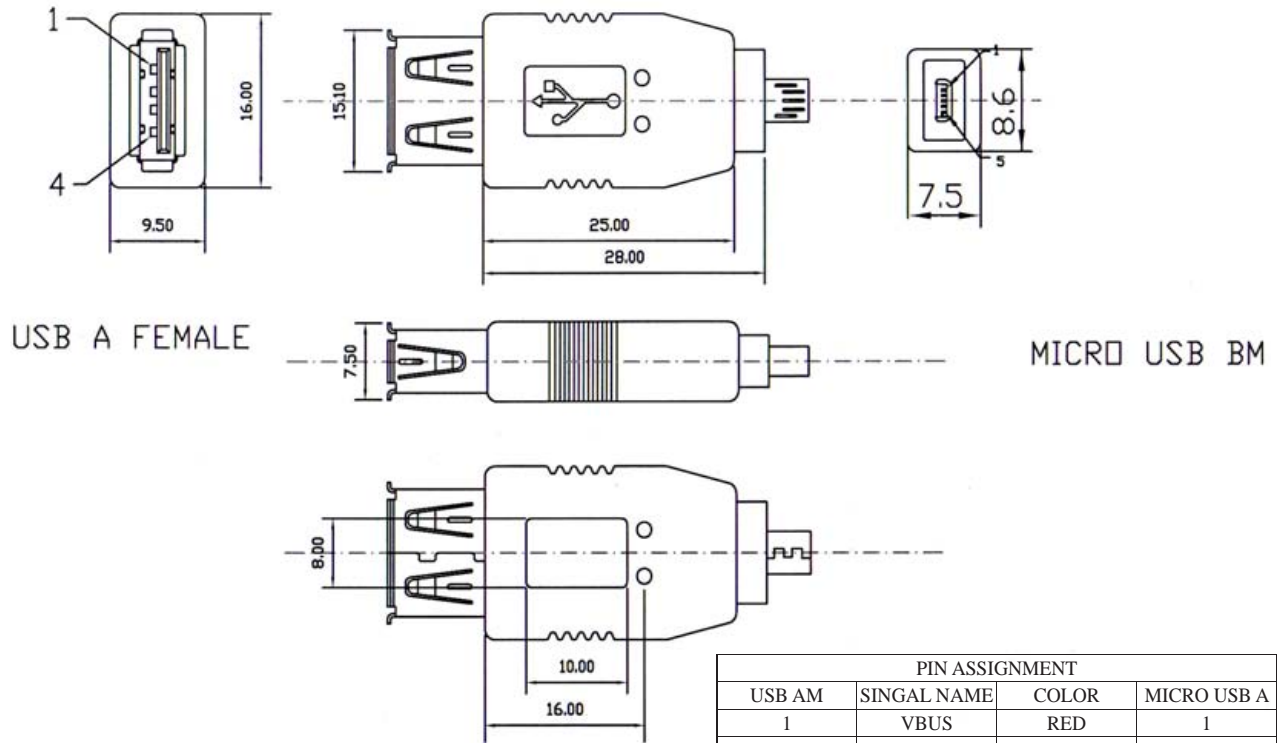
ORDERING INFORMATION:

P/N A D U R - 001 B
1 2

P/N REVISED

1. ADAPTER TYPE:
"001" MICRO USB 5P A TYPE MALE TO USB A TYPE FEMALE
2. INSULATOR COLOR:
"B" BLACK

MICRO USB 5BM TO USB A/F ADAPTER



USB A FEMALE

MICRO USB BM

PIN ASSIGNMENT			
USB AM	SINGAL NAME	COLOR	MICRO USB A
1	VBUS	RED	1
2	D-	WHITE	2
3	D+	GREEN	3
	ID	RA_PLUG_ID	4
4	GND	BLACK	5
SHELL	SHIELD	DIRAN	SHELL

DESCRIPTION	
1	USB-A TYPE FEMALE WHITE PASTERN CONTACT PLATED: GOLD FLASH
2	PVC MOLDED COLOR: BLACK
3	INTERNAL WIRES: UL1007 30AWG
4	MICRO USB B TYPE MALE SHELL PLATED: NICKEL CONTACT: G/F

ORDERING INFORMATION:

P/N A D U R - 0 0 2 B
1 2

P/N REVISED

1. ADAPTER TYPE:
"002" MICRO USB 5P B TYPE MALE TO USB A TYPE FEMALE
2. INSULATOR COLOR:
"B" BLACK

MICRO USB 3.0 ADAPTER



ADU3-031U



ADU3-032U



ADU3-034U

ORDERING INFORMATION:

P/N ADU3-031U	MICRO USB3.0 BM TO USB3.0 AF BLUE ADAPTER
P/N ADU3-032U	MICRO USB3.0 BM TO USB3.0 AM BLUE ADAPTER
P/N ADU3-033U	MICRO USB3.0 BM TO USB3.0 BF BLUE ADAPTER
P/N ADU3-034U	MICRO USB3.0 BM TO USB3.0 BM BLUE ADAPTER
P/N ADU3-037U	MICRO USB3.0 ABF TO USB3.0 AM BLUE ADAPTER
P/N ADU3-038U	MICRO USB3.0 ABF TO USB3.0 AF BLUE ADAPTER
P/N ADU3-039U	MICRO USB3.0 ABF TO USB3.0 BM BLUE ADAPTER
P/N ADU3-040U	MICRO USB3.0 ABF TO USB3.0 BF BLUE ADAPTER
P/N ADU3-035U	MICRO USB3.0 BM TO MICRO USB3.0 BM ADAPTER
P/N ADU3-036U	MICRO USB3.0 ABF TO MICRO USB3.0 BM ADAPTER
P/N ADU3-041U	MICRO USB3.0 ABF TO MICRO USB3.0 ABF ADAPTER

NOTE

AF = A TYPE FEMALE

AM = A TYPE MALE

BF = B TYPE FEMALE

BM = B TYPE MALE

ABF = AB TYPE FEMALE

MICRO USB 3.0 B/M TO USB 3.0 A/F ADAPTER

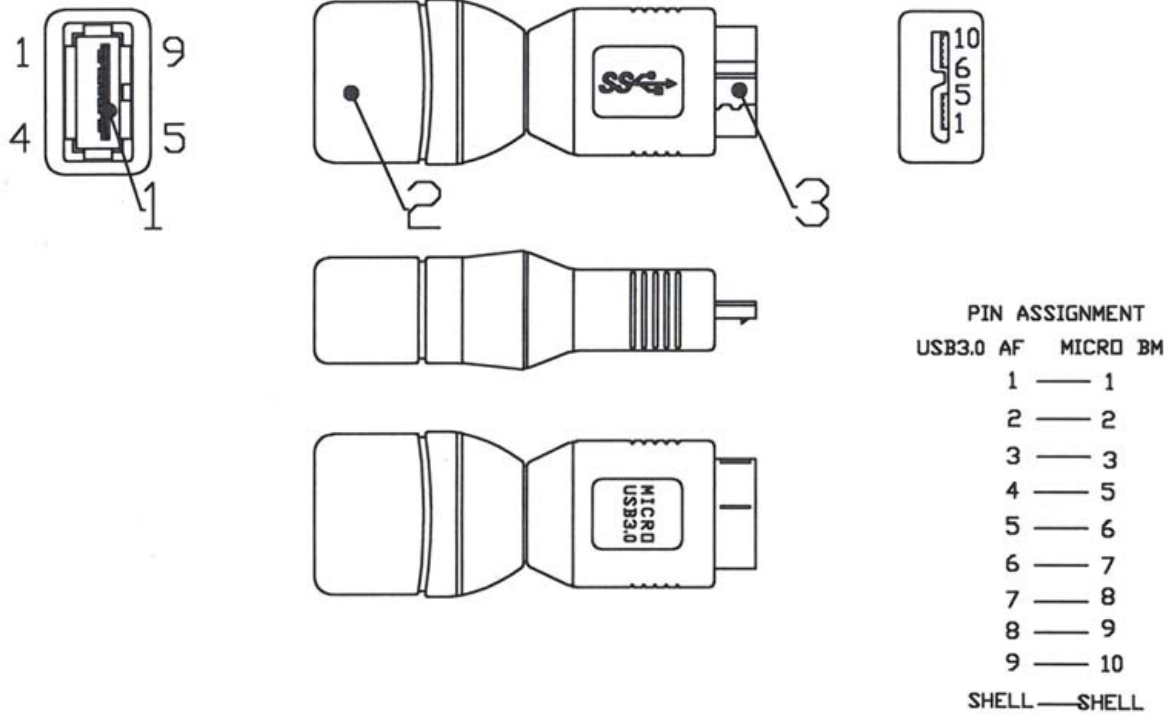
SPECIFICATIONS

HI-POT: 250V

Insulation Resistance: 5M Ohm

Contact Resistance: 10 Ohm

*RoHS & REACH compliant.



ORDERING INFORMATION:

P/N A D U 3 - 031 U
 1 2 3

1. USB REVISION:
"3" REVISION 3.0
2. ADAPTER TYPE:
"031" MICRO USB 3.0 B TYPE MALE TO
USB 3.0 A TYPE FEMALE
3. INSULATOR COLOR:
"U" BLUE

MICRO USB 3.0 B/M TO USB 3.0 A/M ADAPTER

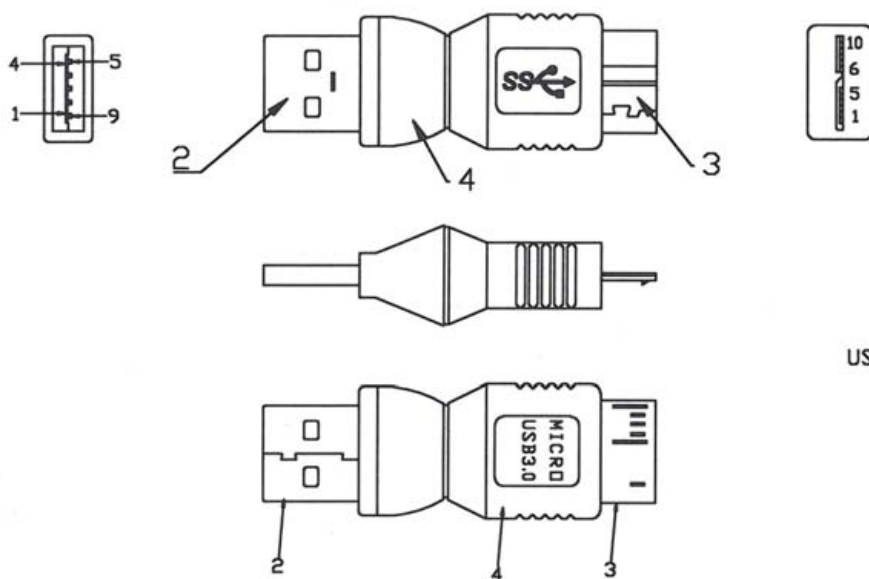
SPECIFICATIONS

HI-POT: 250V

Insulation Resistance: 5M Ohm

Contact Resistance: 10 Ohm

*RoHS & REACH compliant.



PIN ASSIGNMENT		
USB3.0 AM		MCBM
1	—————	1
2	—————	2
3	—————	3
4	—————	5
5	—————	6
6	—————	7
7	—————	8
8	—————	9
9	—————	10
SHELL	—————	SHELL

ORDERING INFORMATION:

P/N A D U 3 - 032 U
 1 2 3

1. USB REVISION:
"3" REVISION 3.0
2. ADAPTER TYPE:
"032" MICRO USB 3.0 B TYPE MALE TO
USB 3.0 A TYPE MALE
3. INSULATOR COLOR:
"U" BLUE

MICRO USB 3.0 B/M TO USB 3.0 B/F ADAPTER

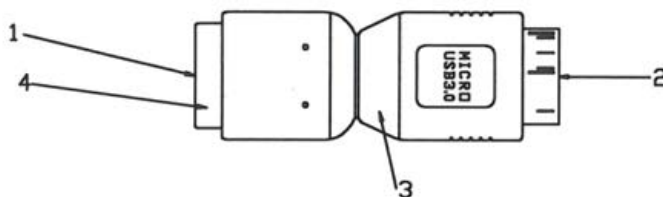
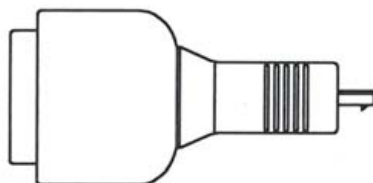
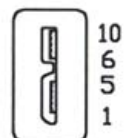
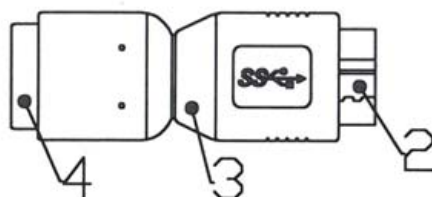
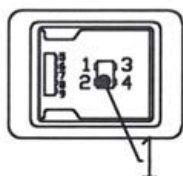
SPECIFICATIONS

HI-POT: 250V

Insulation Resistance: 5M Ohm

Contact Resistance: 10 Ohm

*RoHS & REACH compliant.



PIN ASSIGNMENT

MCBM	USB3.0 BF
1	1
2	2
3	3
5	4
6	5
7	6
8	7
9	8
10	9
SHELL	SHELL

ORDERING INFORMATION:

P/N A D U 3 - 033 U
1 2 3

1. USB REVISION:
"3" REVISION 3.0
2. ADAPTER TYPE:
"033" MICRO USB 3.0 B TYPE MALE TO
USB 3.0 B TYPE FEMALE
3. INSULATOR COLOR:
"U" BLUE

MICRO USB 3.0 B/M TO USB 3.0 B/M ADAPTER

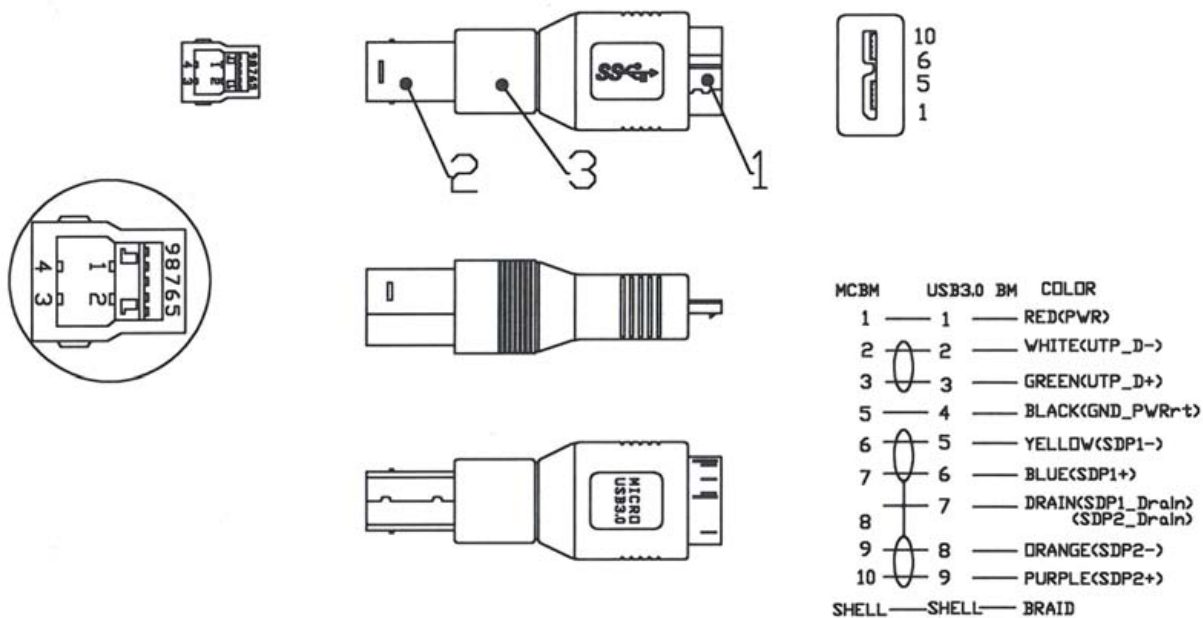
SPECIFICATIONS

HI-POT: 250V

Insulation Resistance: 5M Ohm

Contact Resistance: 10 Ohm

*RoHS & REACH compliant.



ORDERING INFORMATION:

P/N A D U 3 - 034 U
 1 2 3

1. USB REVISION:
"3" REVISION 3.0
2. ADAPTER TYPE:
"034" MICRO USB 3.0 B TYPE MALE TO
USB 3.0 B TYPE MALE
3. INSULATOR COLOR:
"U" BLUE