

INTERNATIONAL PC PLUG-IN POWER TRANSFORMERS

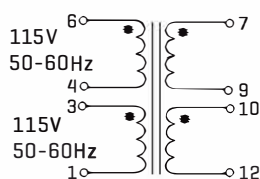
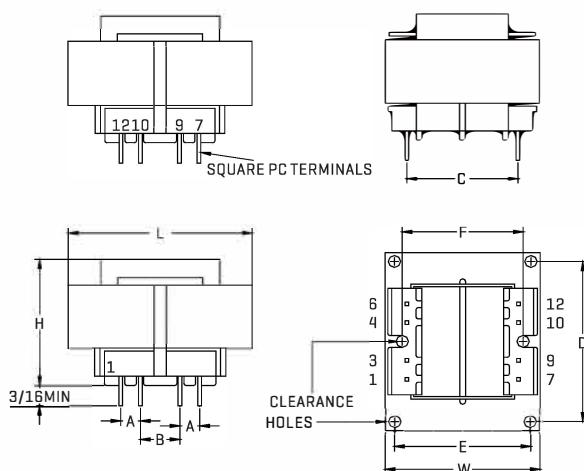


All parts meet RoHS compliance.

FEATURES

- Power – 2.5VA to 56VA
- PC board plug-in mounting
- Dual bobbin; double reinforced insulation
- High (4000V) isolation
- Vacuum impregnated
- Primaries : Dual primaries [115/230V - 50/60Hz]
- Secondaries can be series or parallel connected

PHYSICAL CHARACTERISTICS



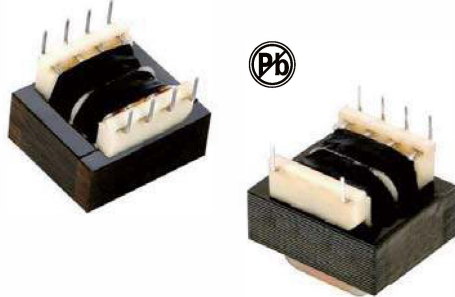
ELECTRICAL CHARACTERISTICS AT 25°C

Part Number	VA	Secondary RMS Rating	
		Series	Parallel
FAPT-2.5-10	2.5	10V C.T. @ 0.25A	10V C.T. @ 0.25A
FAPT-5.0-10	5.0	10V C.T. @ 0.5A	10V C.T. @ 0.5A
FAPT-10-10	10	10V C.T. @ 1.0A	10V C.T. @ 1.0A
FAPT-20-10	20	10V C.T. @ 2.0A	10V C.T. @ 2.0A
FAPT-30-10	30	10V C.T. @ 3.0A	10V C.T. @ 3.0A
FAPT-56-10	56	10V C.T. @ 5.6A	10V C.T. @ 5.6A
FAPT-2.5-12	2.5	12.6V C.T. @ 0.2A	12.6V C.T. @ 0.2A
FAPT-5.0-12	5.0	12.6V C.T. @ 0.4A	12.6V C.T. @ 0.4A
FAPT-10-12	10	12.6V C.T. @ 0.8A	12.6V C.T. @ 0.8A
FAPT-20-12	20	12.6V C.T. @ 1.6A	12.6V C.T. @ 1.6A
FAPT-30-12	30	12.6V C.T. @ 2.4A	12.6V C.T. @ 2.4A
FAPT-56-12	56	12.6V C.T. @ 4.4A	12.6V C.T. @ 4.4A
FAPT-2.5-16	2.5	16V C.T. @ 0.15A	16V C.T. @ 0.15A
FAPT-5.0-16	5.0	16V C.T. @ 0.31A	16V C.T. @ 0.31A
FAPT-10-16	10	16V C.T. @ 0.62A	16V C.T. @ 0.62A
FAPT-20-16	20	16V C.T. @ 1.25A	16V C.T. @ 1.25A
FAPT-30-16	30	16V C.T. @ 1.9A	16V C.T. @ 1.9A
FAPT-56-16	56	16V C.T. @ 3.5A	16V C.T. @ 3.5A
FAPT-2.5-20	2.5	20V C.T. @ 0.12A	20V C.T. @ 0.12A
FAPT-5.0-20	5.0	20V C.T. @ 0.25A	20V C.T. @ 0.25A
FAPT-10-20	10	20V C.T. @ 0.5A	20V C.T. @ 0.5A
FAPT-20-20	20	20V C.T. @ 1.0A	20V C.T. @ 1.0A
FAPT-30-20	30	20V C.T. @ 1.5A	20V C.T. @ 1.5A
FAPT-56-20	56	20V C.T. @ 2.8A	20V C.T. @ 2.8A
FAPT-2.5-24	2.5	24V C.T. @ 0.1A	24V C.T. @ 0.1A
FAPT-5.0-24	5.0	24V C.T. @ 0.21A	24V C.T. @ 0.21A
FAPT-10-24	10	24V C.T. @ 0.42A	24V C.T. @ 0.42A
FAPT-20-24	20	24V C.T. @ 0.83A	24V C.T. @ 0.83A
FAPT-30-24	30	24V C.T. @ 1.25A	24V C.T. @ 1.25A
FAPT-56-24	56	24V C.T. @ 2.33A	24V C.T. @ 2.33A
FAPT-2.5-28	2.5	28V C.T. @ 0.09A	28V C.T. @ 0.09A
FAPT-5.0-28	5.0	28V C.T. @ 0.18A	28V C.T. @ 0.18A
FAPT-10-28	10	28V C.T. @ 0.36A	28V C.T. @ 0.36A
FAPT-20-28	20	28V C.T. @ 0.72A	28V C.T. @ 0.72A
FAPT-30-28	30	28V C.T. @ 1.06A	28V C.T. @ 1.06A
FAPT-56-28	56	28V C.T. @ 2.0A	28V C.T. @ 2.0A
FAPT-2.5-36	2.5	36V C.T. @ 0.07A	36V C.T. @ 0.07A
FAPT-5.0-36	5.0	36V C.T. @ 0.14A	36V C.T. @ 0.14A
FAPT-10-36	10	36V C.T. @ 0.28A	36V C.T. @ 0.28A
FAPT-20-36	20	36V C.T. @ 0.56A	36V C.T. @ 0.56A
FAPT-30-36	30	36V C.T. @ 0.82A	36V C.T. @ 0.82A
FAPT-56-36	56	36V C.T. @ 1.56A	36V C.T. @ 1.56A

VA	Dimensions					
	L	W	H	A	B	C
2.5	41.3	33.3	28.6	5.08	6.35	24.4
5.0	41.3	33.3	34.9	5.08	10.2	25.4
10	47.6	39.7	34.9	5.08	10.2	29.0
20	57.2	47.6	41.3	10.2	10.2	37.1
30	66.7	55.5	39.7	14.0	6.99	42.7
56	76.2	63.5	46	15.2	7.62	48.3
VA	D	E	F	PIN DIM	MTG	Wgt
2.5	---	---	27.0	SQ0.64	#4	113g
5.0	---	---	27.0	SQ0.64	#4	167g
10	---	---	31.8	SQ0.97	#4	240g
20	---	---	38.1	SQ0.97	#4	407g
30	55.4	44.5	---	SQ1.14	#6	520g
56	63.5	50.8	---	SQ1.14	#6	770g

ALL DIMENSIONS IN MM

SPLIT BOBBIN PLUG-IN TRANSFORMERS



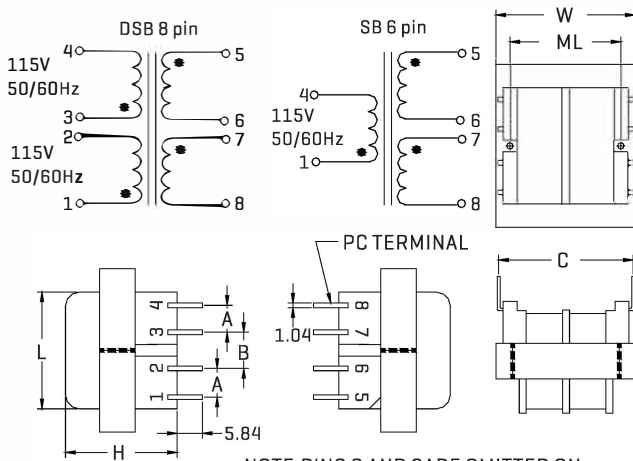
for PC board power isolation

Split bobbin : primaries and secondaries are wound side-by-side rather than concentrically to obtain the benefits listed below. All parts meet RoHS compliance.

FEATURES

- High [2500V] isolation ;2500V RMS HIPOT
- No crossover contact between primary and secondary leads
- Vacuum impregnated - - withstands modern board washing systems and reduces audible noise
- Class B insulation [130 C]
- Available in single or dual primary
- Series or parallel secondaries

PHYSICAL CHARACTERISTICS



ALL DIMENSIONS IN MM

Size	VA	L	W	H	ML	A	B	C	Wgt
2	1.1	28.7	28.7	23.9	---	6.35	6.35	30.5	77g
3	2.4	35.1	28.7	30.2	---	6.35	6.35	30.5	113g
4	6	40.6	33.3	33.3	2.69	6.35	6.35	32.5	199g
5	12	47.2	39.6	36.6	31.8	7.62	7.62	35.8	317g
6	20	57.2	47.2	36.6	38.1	7.62	7.62	40.6	362g
7	36	66.8	55.6	39.6	Note	10.2	10.2	45.7	498g

Notes : Size 7 has 4 mtg. holes on 2 3/16 x 13/4 centers.

ELECTRICAL CHARACTERISTICS AT 25°C

Part Number		Secondary RMS Rating	
Single 115V 6Pin	Dual 115/230V 8Pin	Series	Parallel
FASB-2-10	FADSB-2-10	10V C.T. @ 0.11A	5V @ 0.22A
FASB-3-10	FADSB-3-10	10V C.T. @ 0.25A	5V @ 0.5A
FASB-4-10	FADSB-4-10	10V C.T. @ 0.6A	5V @ 1.2A
FASB-5-10	FADSB-5-10	10V C.T. @ 1.2A	5V @ 2.4A
FASB-6-10	FADSB-6-10	10V C.T. @ 2A	5V @ 4A
FASB-7-10	FADSB-7-10	10V C.T. @ 3.6A	5V @ 7.2A
FASB-2-12	FADSB-2-12	12.6V C.T. @ 0.09A	6.3V @ 0.18A
FASB-3-12	FADSB-3-12	12.6V C.T. @ 0.2A	6.3V @ 0.4A
FASB-4-12	FADSB-4-12	12.6V C.T. @ 0.5A	6.3V @ 1.0A
FASB-5-12	FADSB-5-12	12.6V C.T. @ 1.0A	6.3V @ 2.0A
FASB-6-12	FADSB-6-12	12.6V C.T. @ 1.6A	6.3V @ 3.2A
FASB-7-12	FADSB-7-12	12.6V C.T. @ 2.85A	6.3V @ 5.7A
FASB-2-16	FADSB-2-16	16V C.T. @ 0.07A	8V @ 0.14A
FASB-3-16	FADSB-3-16	16V C.T. @ 0.15A	8V @ 0.3A
FASB-4-16	FADSB-4-16	16V C.T. @ 0.4A	8V @ 0.8A
FASB-5-16	FADSB-5-16	16V C.T. @ 0.8A	8V @ 1.6A
FASB-6-16	FADSB-6-16	16V C.T. @ 1.25A	8V @ 2.5A
FASB-7-16	FADSB-7-16	16V C.T. @ 2.25A	8V @ 4.5A
FASB-2-20	FADSB-2-20	20V C.T. @ 0.055A	10V @ 0.11A
FASB-3-20	FADSB-3-20	20V C.T. @ 0.12A	10V @ 0.24A
FASB-4-20	FADSB-4-20	20V C.T. @ 0.3A	10V @ 0.6A
FASB-5-20	FADSB-5-20	20V C.T. @ 0.6A	10V @ 1.2A
FASB-6-20	FADSB-6-20	20V C.T. @ 1A	10V @ 2A
FASB-7-20	FADSB-7-20	20V C.T. @ 1.8A	10V @ 3.6A
FASB-2-24	FADSB-2-24	24V C.T. @ 0.045A	12V @ 0.09A
FASB-3-24	FADSB-3-24	24V C.T. @ 0.1A	12V @ 0.2A
FASB-4-24	FADSB-4-24	24V C.T. @ 0.25A	12V @ 0.5A
FASB-5-24	FADSB-5-24	24V C.T. @ 0.5A	12V @ 1.0A
FASB-6-24	FADSB-6-24	24V C.T. @ 0.8A	12V @ 1.6A
FASB-7-24	FADSB-7-24	24V C.T. @ 1.5A	12V @ 3.0A
FASB-2-28	FADSB-2-28	28V C.T. @ 0.04A	14V @ 0.08A
FASB-3-28	FADSB-3-28	28V C.T. @ 0.085A	14V @ 0.17A
FASB-4-28	FADSB-4-28	28V C.T. @ 0.2A	14V @ 0.4A
FASB-5-28	FADSB-5-28	28V C.T. @ 0.42A	14V @ 0.84A
FASB-6-28	FADSB-6-28	28V C.T. @ 0.7A	14V @ 1.4A
FASB-7-28	FADSB-7-28	28V C.T. @ 1.3A	14V @ 2.6A
FASB-2-36	FADSB-2-36	36V C.T. @ 0.03A	18V @ 0.06A
FASB-3-36	FADSB-3-36	36V C.T. @ 0.065A	18V @ 0.13A
FASB-4-36	FADSB-4-36	36V C.T. @ 0.17A	18V @ 0.34A
FASB-5-36	FADSB-5-36	36V C.T. @ 0.35A	18V @ 0.7A
FASB-6-36	FADSB-6-36	36V C.T. @ 0.55A	18V @ 1.1A
FASB-7-36	FADSB-7-36	36V C.T. @ 1.0A	18V @ 2.0A
FASB-2-48	FADSB-2-48	48V C.T. @ 0.023A	24V @ 0.046A
FASB-3-48	FADSB-3-48	48V C.T. @ 0.05A	24V @ 0.1A
FASB-4-48	FADSB-4-48	48V C.T. @ 0.125A	24V @ 0.25A
FASB-5-48	FADSB-5-48	48V C.T. @ 0.25A	24V @ 0.5A
FASB-6-48	FADSB-6-48	48V C.T. @ 0.4A	24V @ 0.8A
FASB-7-48	FADSB-7-48	48V C.T. @ 0.75A	24V @ 1.5A
FASB-2-56	FADSB-2-56	56V C.T. @ 0.02A	28V @ 0.04A
FASB-3-56	FADSB-3-56	56V C.T. @ 0.045A	28V @ 0.09A
FASB-4-56	FADSB-4-56	56V C.T. @ 0.11A	28V @ 0.22A
FASB-5-56	FADSB-5-56	56V C.T. @ 0.22A	28V @ 0.44A
FASB-6-56	FADSB-6-56	56V C.T. @ 0.35A	28V @ 0.7A
FASB-7-56	FADSB-7-56	56V C.T. @ 0.65A	28V @ 1.3A
FASB-2-120	FADSB-2-120	120V C.T. @ 0.01A	60V @ 0.02A
FASB-3-120	FADSB-3-120	120V C.T. @ 0.02A	60V @ 0.04A
FASB-4-120	FADSB-4-120	120V C.T. @ 0.05A	60V @ 0.1A
FASB-5-120	FADSB-5-120	120V C.T. @ 0.1A	60V @ 0.2A
FASB-6-120	FADSB-6-120	120V C.T. @ 0.16A	60V @ 0.32A
FASB-7-120	FADSB-7-120	120V C.T. @ 0.3A	60V @ 0.6A

Primary Ratings : "SB" 115V 50/60Hz 6-pin
 "DSB" 115/230V 50/60Hz 8-pin
 [Other primary ratings available on request.]