

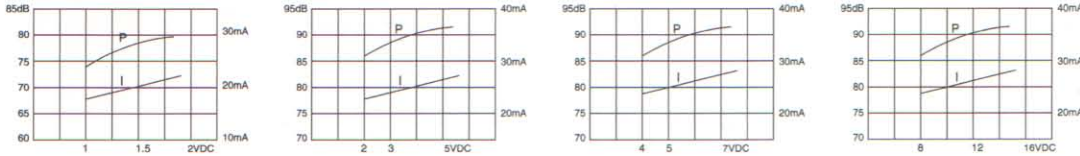
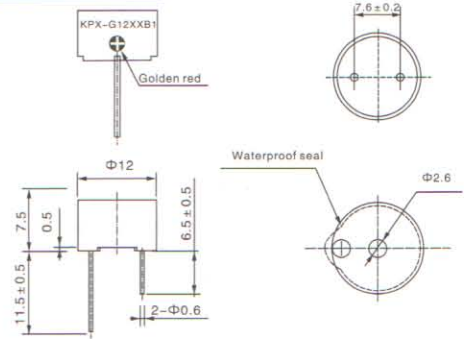
Magnetic Buzzer(with driving circuit)

KPX-G 12XXB1 SERIES MAGNETIC BUZZER



color Gray
PBT Housing Material
Pin Terminal

DIMENSIONS



Model No	KPX-G1201B1	KPX-G1203B1	KPX-G1205B1	KPX-G1212B1
Rated Voltage	1.5VDC	3VDC	5VDC	12VDC
Operating Voltage	1~2VDC	2~5VDC	4~7VDC	8~15VDC
Max Rated Current	30mA			
Min.Sound Pressure Level	75dB/1.5VDC/10cm	85dB/3VDC/10cm	85dB/5VDC/10cm	85dB/12VDC/10cm
Resonant Frequency	3.1 ± 0.5KHz			
Tone Nature	Continuous			
Operating Temperature	-20~+70°C			
Storage Temperature	-30~+80°C			
Weight	2g			

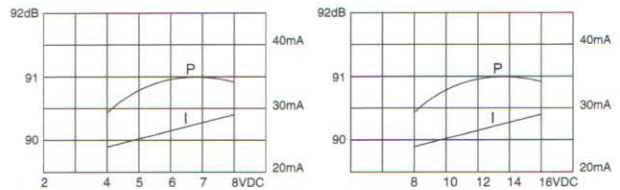
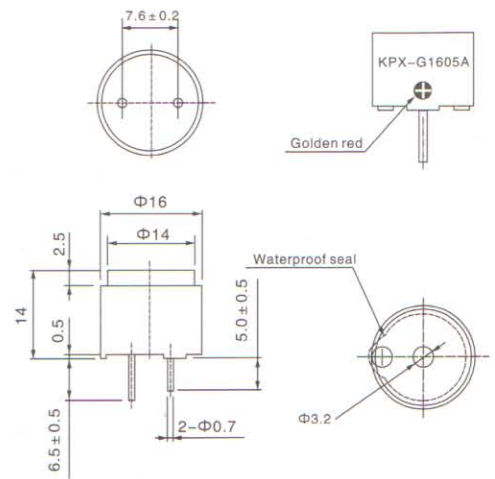
RoHS Compliant

KPX-G 16XXA SERIES MAGNETIC BUZZER



color Black
MPPO Housing Material
Pin Terminal

DIMENSIONS



Model No	KPX-G1605A	KPX-G1612A
Rated Voltage	5VDC	12VDC
Operating Voltage	4~8VDC	8~15VDC
Max Rated Current	30mA	
Min.Sound Pressure Level	85dB/5VDC/10cm	85dB/12V/10cm
Resonant Frequency	2.3 ± 0.3KHz	
Tone Nature	Continuous	
Operating Temperature	-20~+70°C	
Storage Temperature	-30~+80°C	
Weight	7g	

RoHS Compliant

The information contained herein is believed to be correct but no guarantee for accuracy/completeness. KEPO Electronics Ltd. reserves the right to make changes without notification.