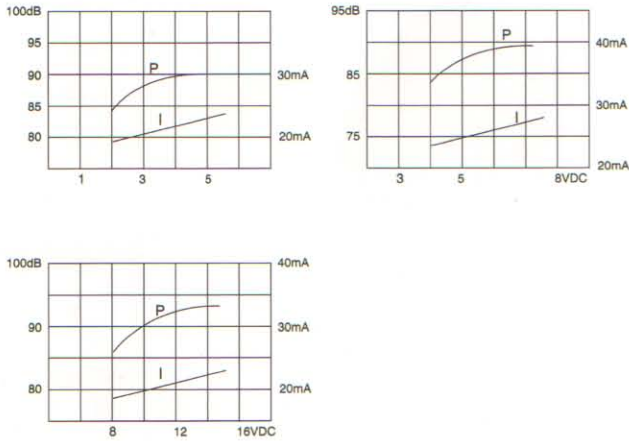
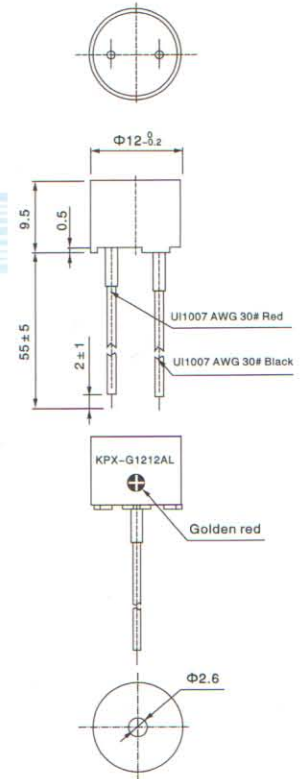


KPX-G 12XXAL SERIES MAGNETIC BUZZER



color Black
PBT Housing Material
Wire Terminal

DIMENSIONS



Model No	KPX-G1203AL	KPX-G1205AL	KPX-G1212AL
Rated Voltage	3VDC	5VDC	12VDC
Operating Voltage	2~5VDC	4~8VDC	8~15VDC
Max Rated Current	30mA		
Min.Sound Pressure Level	80dB/3VDC/10cm	85dB/5VDC/10cm	85dB/12VDC/10cm
Resonant Frequency	2.3 ± 0.3 KHz		
Tone Nature	Continuous		
Operating Temperature	-20~+70°C		
Storage Temperature	-30~+80°C		
Weight	2g		

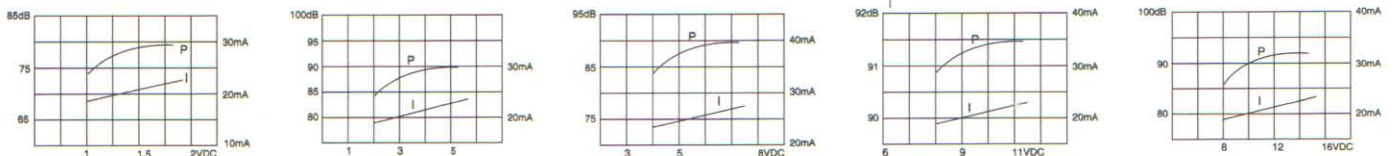
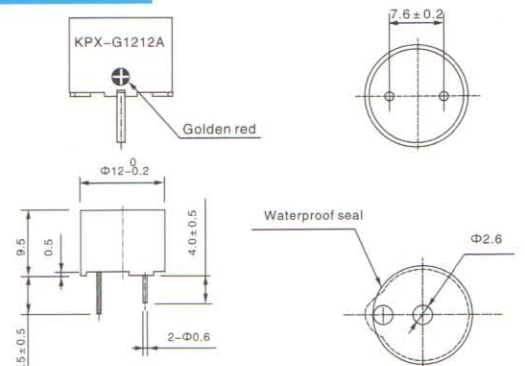
RoHS Compliant

KPX-G 12XXA SERIES MAGNETIC BUZZER



color Black
PBT Housing Material
Pin Terminal

DIMENSIONS



Model No	KPX-G1201A	KPX-G1203A	KPX-G1205A	KPX-G1209A	KPX-G1212A
Rated Voltage	1.5VDC	3VDC	5VDC	9VDC	12VDC
Operating Voltage	1~2VDC	2~5VDC	4~8VDC	7~12VDC	8~15VDC
Max Rated Current	30mA				
Min.Sound Pressure Level	75dB/1.5VDC/10cm	80dB/3VDC/10cm	85dB/5VDC/10cm	85dB/9VDC/10cm	85dB/12VDC/10cm
Resonant Frequency	2.3 ± 0.3 KHz				
Tone Nature	Continuous				
Operating Temperature	-20~+70°C				
Storage Temperature	-30~+80°C				
Weight	2g				

RoHS Compliant

The information contained herein is believed to be correct but no guarantee for accuracy/completeness. KEPO Electronics Ltd/reserves the right to make changes without notification.