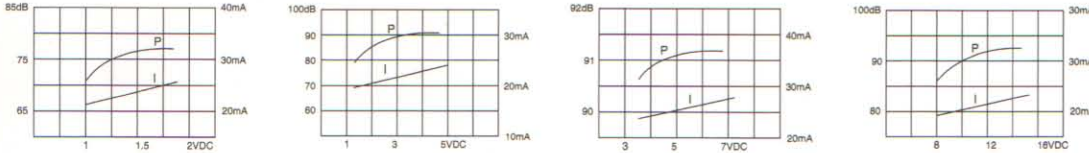
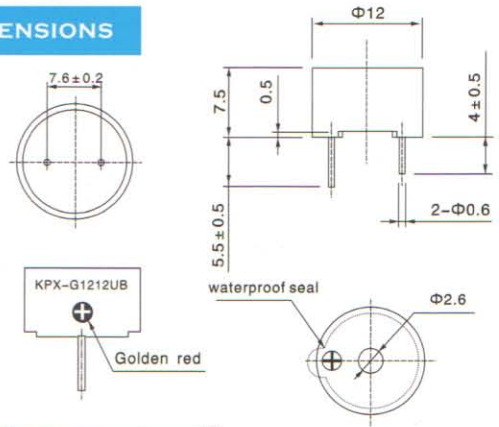


KPX-G 12XXUB SERIES MAGNETIC BUZZER



color Black
PBT Housing Material
Pin Terminal

DIMENSIONS



Model No	KPX-G1201UB	KPX-G1203UB	KPX-G1205UB	KPX-G1212UB
Rated Voltage	1.5VDC	3VDC	5VDC	12VDC
Operating Voltage	1~2VDC	2~5VDC	4~8VDC	8~15VDC
Max Rated Current	30mA			
Min.Sound Pressure Level	75dB/1.5VDC/10cm	85dB/3VDC/10cm	85dB/5VDC/10cm	85dB/12VDC/10cm
Resonant Frequency	2.3 ± 0.5 KHz			
Tone Nature	Continuous			
Operating Temperature	-20~+70°C			
Storage Temperature	-30~+80°C			
Weight	2g			

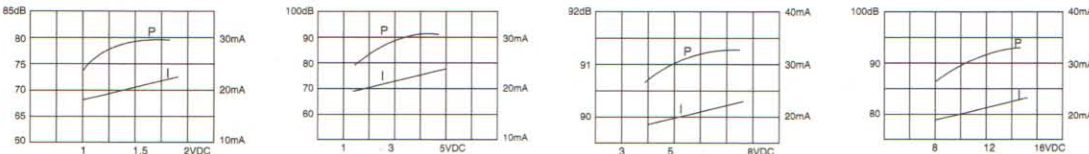
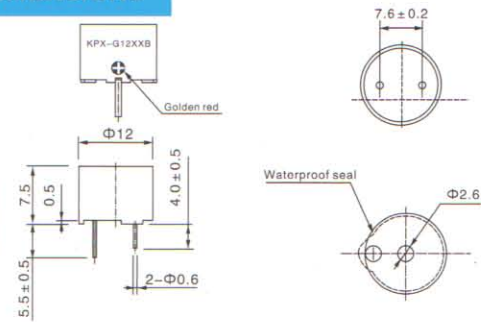


KPX-G 12XXB SERIES MAGNETIC BUZZER



color Black
PBT Housing Material
Pin Terminal

DIMENSIONS



Model No	KPX-G1201B	KPX-G1203B	KPX-G1205B	KPX-G1212B
Rated Voltage	1.5VDC	3VDC	5VDC	12VDC
Operating Voltage	1~2VDC	2~5VDC	4~8VDC	8~15VDC
Max Rated Current	30mA			
Min.Sound Pressure Level	75dB/1.5VDC/10cm	85dB/3VDC/10cm	85dB/5VDC/10cm	85dB/12VDC/10cm
Resonant Frequency	3.1 ± 0.5KHz			
Tone Nature	Continuous			
Operating Temperature	-20~+70°C			
Storage Temperature	-30~+80°C			
Weight	2g			



The information contained herein is believed to be correct, but no guarantee for accuracy, completeness, or timeliness is made. KEPO Electronics Ltd. reserves the right to make changes without notification.

MAGNETIC BUZZER – SELF DRIVE

Product ID	KPX-G1212BX
Rated Voltage	12VDC
Operating Voltage	8~15VDC
Max.Rated Current	20mA/12VDC
Resonant Frequency	3300±200Hz
Min.Sound Pressure Level	85dB/12VDC/10cm
Operating Temperature	-20~+70°C
D(mm)	Ø12
H(mm)	7.5
weight	2g

DIMENSIONI

