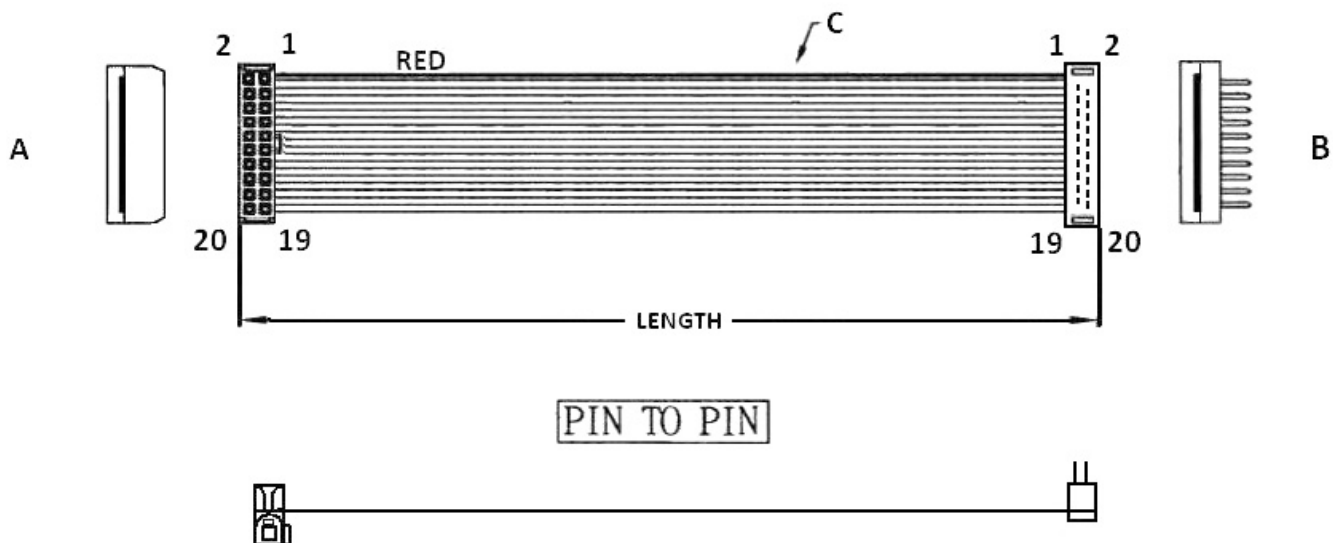


**1.00MM PITCH FLAT CABLE WITH 2.00MM PITCH IDC SOCKET
W/O STRAIN RELIEF (H=9.0MM) TO DIP PLUG (H=5.2MM) (E1)**

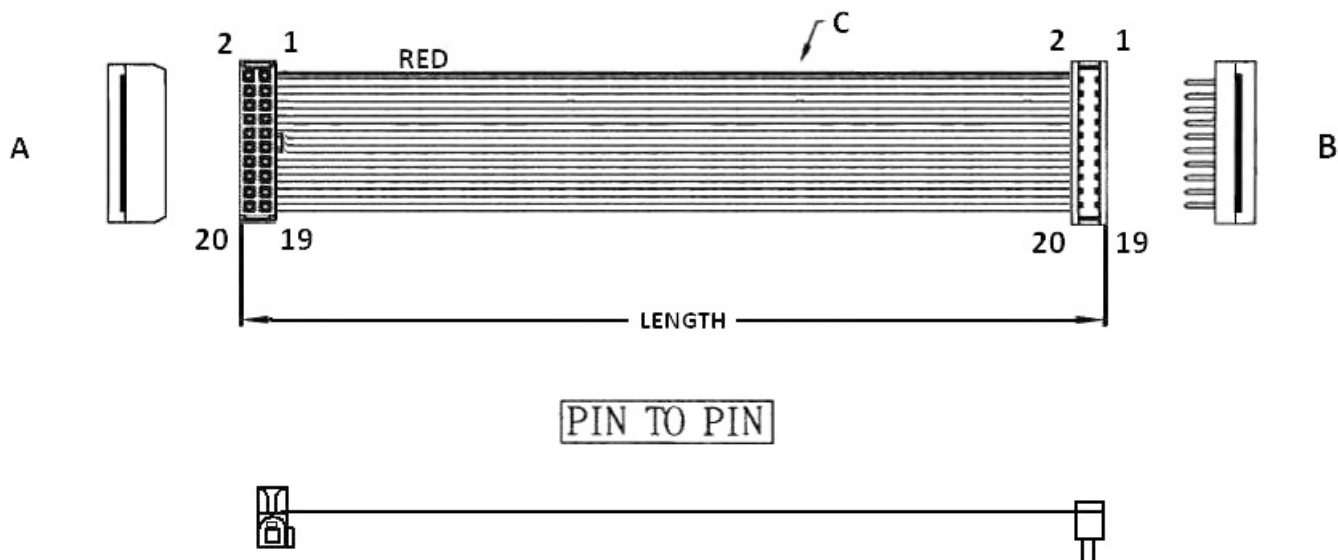


ORDERING INFORMATION:

P/N $\frac{\text{KB}}{1}$ $\frac{\text{xx}}{2}$ $\frac{\text{KD}}{3}$ - $\frac{\text{xx}}{4}$ **CM** $\frac{\text{B}}{5}$

1. FLAT CABLE TYPE:
"KB" 1.00MM AWG28 UL2651 VW-1
PVC INSULATION GRAY
2. NO. OF CONTACTS:
06~68
3. CONNECTORS AT TWO ENDS:
"KD" 2.00MM IDC SOCKET WITH NOSE W/O S.R. TO
2.00MM DIP PLUG
4. LENGTH IN CM (CENTIMETERS)
5. COLOR OF TWO IDC CONNECTORS:
"B" BLACK

1.00MM PITCH FLAT CABLE WITH 2.00MM PITCH IDC SOCKET WITHOUT STRAIN RELIEF (H=9.0MM) TO DIP PLUG (H=5.2MM) (E2)

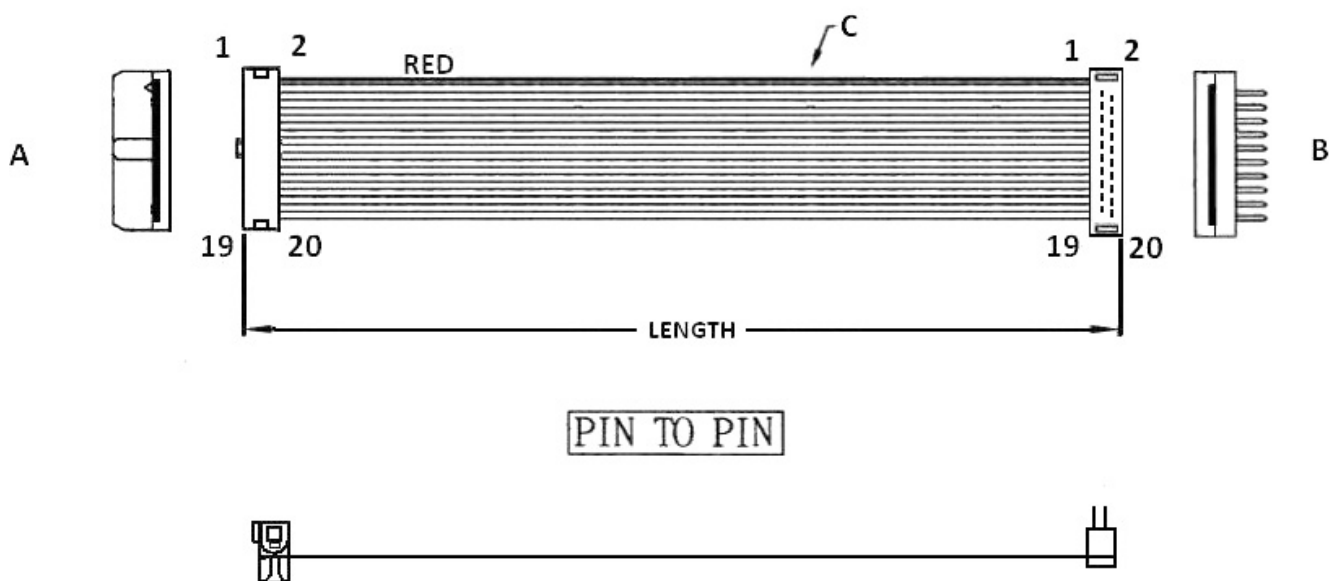


ORDERING INFORMATION:

P/N **K****B** **xx** **K****P** - **xx** **C** **M****B**

1. FLAT CABLE TYPE:
"KB" 1.00MM AWG28 UL2651 VW-1
PVC INSULATION GRAY
2. NO. OF CONTACTS:
06~68
3. CONNECTORS AT TWO ENDS:
"KP" 2.00MM IDC SOCKET WITH NOSE W/O S.R. TO
2.00MM DIP PLUG
4. LENGTH IN CM (CENTIMETERS)
5. COLOR OF TWO IDC CONNECTORS:
"B" BLACK

1.00MM PITCH FLAT CABLE WITH 2.00MM PITCH IDC SOCKET WITHOUT STRAIN RELIEF (H=9.0MM) TO DIP PLUG (H=5.2MM) (E3)

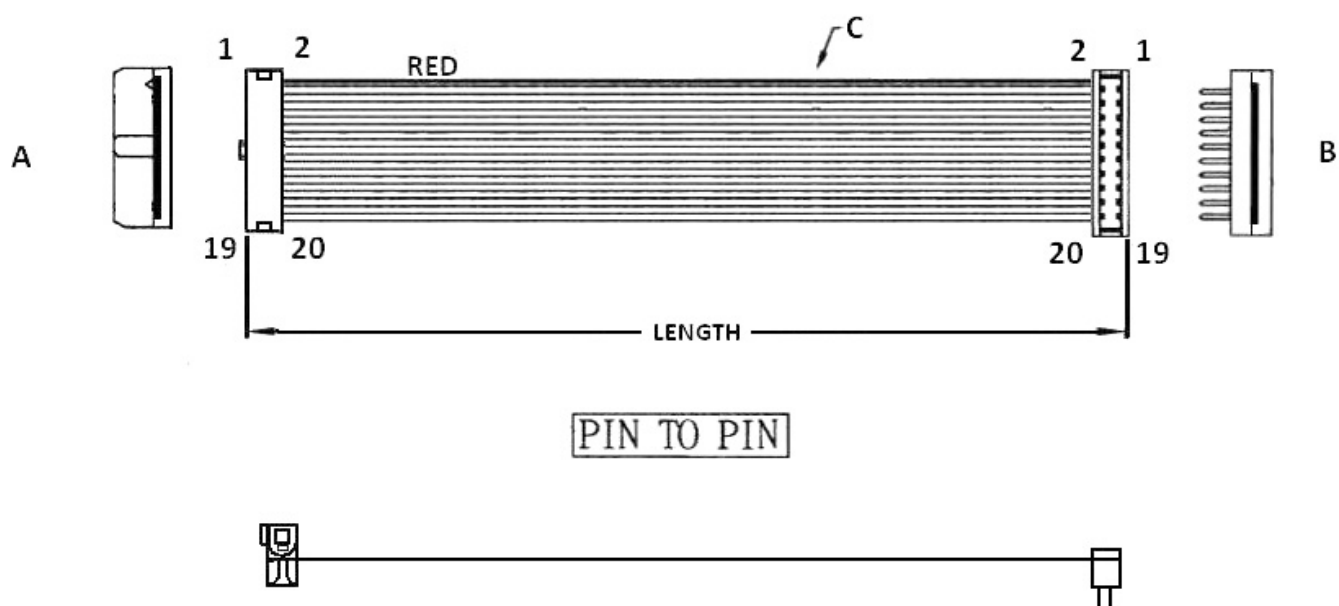


ORDERING INFORMATION:

P/N $\frac{\text{KB}}{1}$ $\frac{\text{xx}}{2}$ $\frac{\text{LD}}{3}$ - $\frac{\text{xx}}{4}$ **CM** $\frac{\text{B}}{5}$

1. FLAT CABLE TYPE:
"KB" 1.00MM AWG28 UL2651 VW-1
PVC INSULATION GRAY
2. NO. OF CONTACTS:
06~68
3. CONNECTORS AT TWO ENDS:
"LD" 2.00MM IDC SOCKET WITH NOSE W/O S.R. TO
2.00MM DIP PLUG
4. LENGTH IN CM (CENTIMETERS)
5. COLOR OF TWO IDC CONNECTORS:
"B" BLACK

1.00MM PITCH FLAT CABLE WITH 2.00MM PITCH IDC SOCKET WITHOUT STRAIN RELIEF (H=9.0MM) TO DIP PLUG (H=5.2MM) (E4)

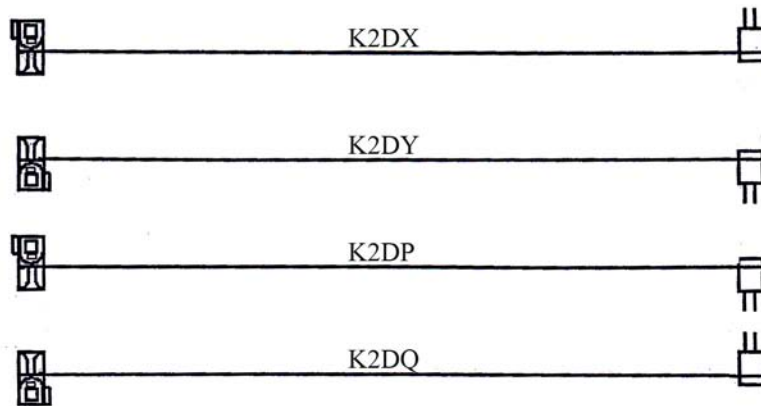


ORDERING INFORMATION:

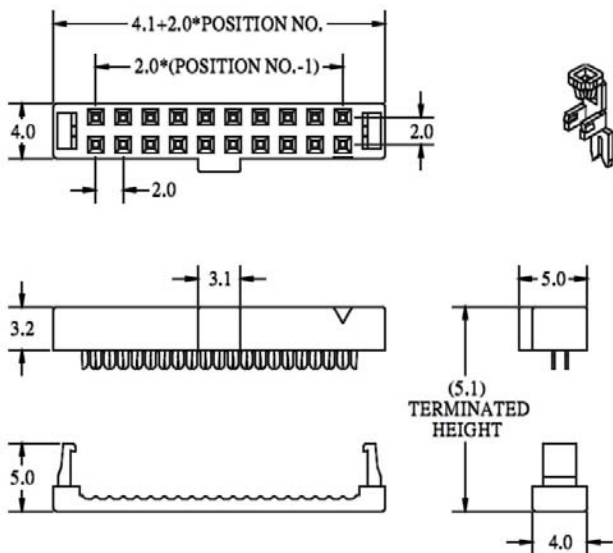
P/N $\frac{\text{KB}}{1}$ $\frac{\text{xx}}{2}$ $\frac{\text{LP}}{3}$ - $\frac{\text{xx}}{4}$ C M $\frac{\text{B}}{5}$

1. FLAT CABLE TYPE:
"KB" 1.00MM AWG28 UL2651 VW-1
PVC INSULATION GRAY
2. NO. OF CONTACTS:
06~68
3. CONNECTORS AT TWO ENDS:
"LP" 2.00MM IDC SOCKET WITH NOSE W/O S.R. TO
2.00MM DIP PLUG
4. LENGTH IN CM (CENTIMETERS)
5. COLOR OF TWO IDC CONNECTORS:
"B" BLACK

**1.00MM PITCH FLAT CABLE
WITH 2.00MM IDC SOCKET (H=5.1MM) TO DIP PLUG (H=5.2MM) (E5)**

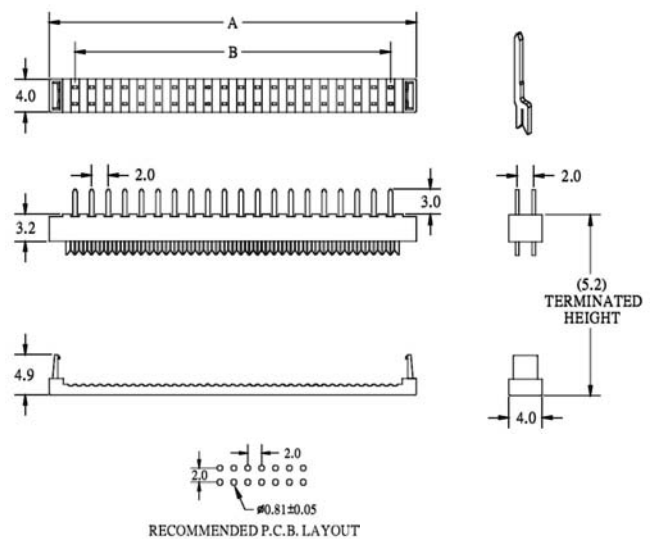


**2.00MM IDC SOCKET
W/O S.R. & WITH INTENSIVE CONTACTS**



NO. OF CONTACTS:
006, 008, 010, 012, 014,
016, 020, 022, 024, 026,
030, 034, 036, 040, 044,
050

2.00MM PITCH DIP PLUG



$A=B+6.20$
 $B=2.00*POSITIONS/2-2.00$

NO. OF CONTACTS:
008, 010, 012, 014, 016,
020, 022, 024, 026, 030,
034, 040, 044, 050, 068

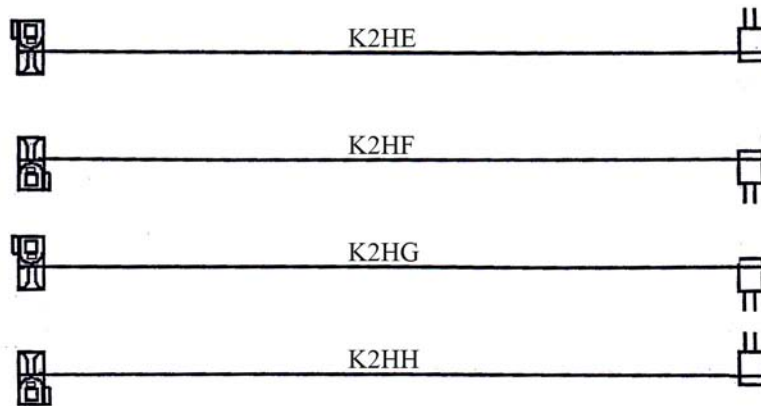
ORDERING INFORMATION:

P/N K 1 2 3 4 C M B

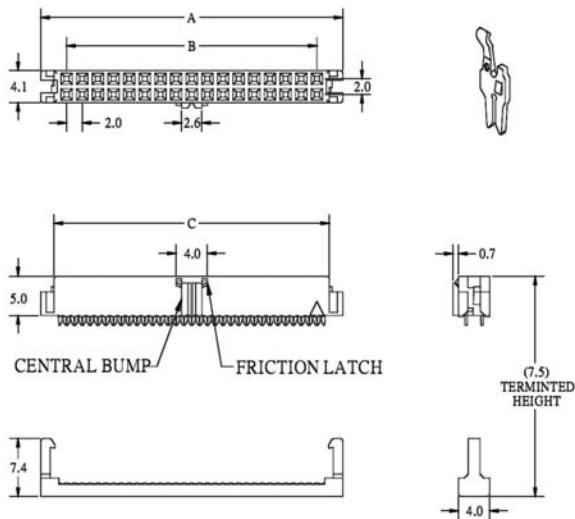
1. CONSTRUCTION TYPE:
2DX, 2DY, 2DP, 2DQ
2. NO. OF CONTACTS:
006~050
3. LENGTH IN CM (CENTIMETERS)
4. COLOR OF TWO IDC CONNECTORS:
"B" BLACK

NOTE: IDC SOCKET & DIP PLUG CAN'T BE SUPPLIED ALONE.

**1.00MM PITCH FLAT CABLE
WITH 2.00MM IDC SOCKET (H=7.5MM) TO DIP PLUG (H=5.2MM) (E6)**



**2.00MM IDC SOCKET
WITH CENTRAL BUMP & FRICTION LATCH**



$A=B+6.60$

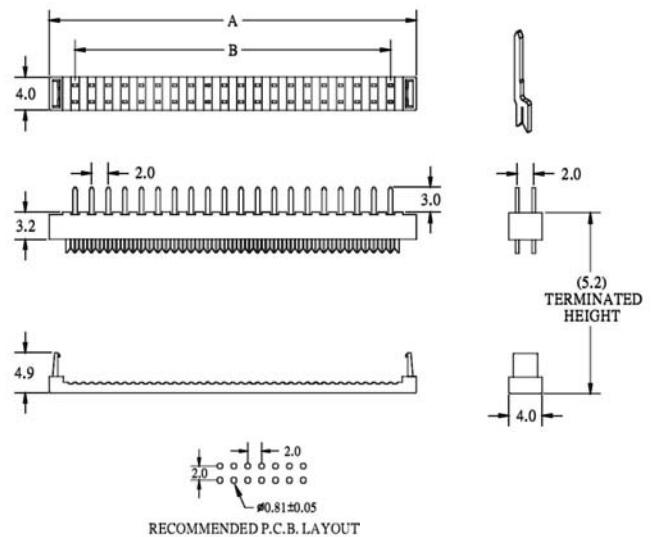
$B=2.00 \times \text{POSITIONS} / 2 - 2.00$

$C=B+3.20$

NO. OF CONTACTS:

006, 008, 010, 012, 014,
016, 018, 020, 022, 024,
026, 028, 030, 034, 036,
040, 044, 048, 050, 060,
064, 068

2.00MM PITCH DIP PLUG



$A=B+6.20$

$B=2.00 \times \text{POSITIONS} / 2 - 2.00$

NO. OF CONTACTS:

008, 010, 012, 014, 016,
020, 022, 024, 026, 030,
034, 040, 044, 050, 068

ORDERING INFORMATION:

P/N K 1 2 3 4 **C M B**

1. CONSTRUCTION TYPE:

2HE, 2HF, 2HG, 2HH

2. NO. OF CONTACTS:

006~068

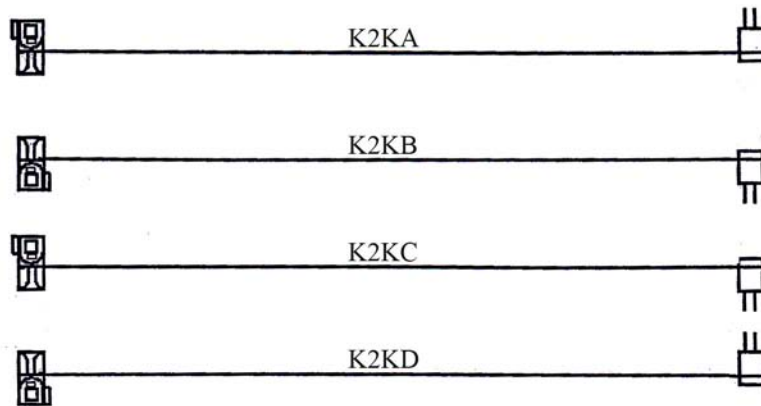
3. LENGTH IN CM (CENTIMETERS)

4. COLOR OF TWO IDC CONNECTORS:

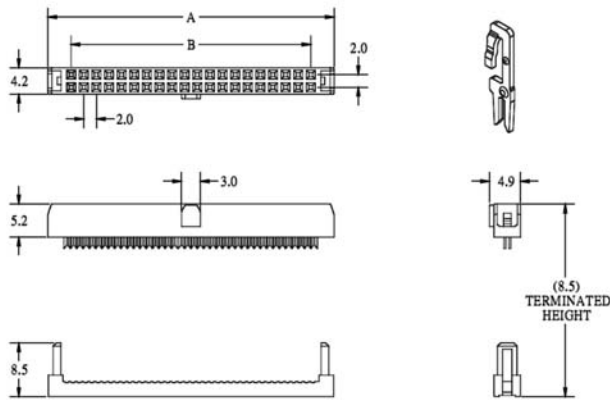
"B" BLACK

NOTE: IDC SOCKET & DIP PLUG CAN'T BE SUPPLIED ALONE.

**1.00MM PITCH FLAT CABLE
WITH 2.00MM IDC SOCKET (H=8.5MM) TO DIP PLUG (H=5.2MM) (E7)**



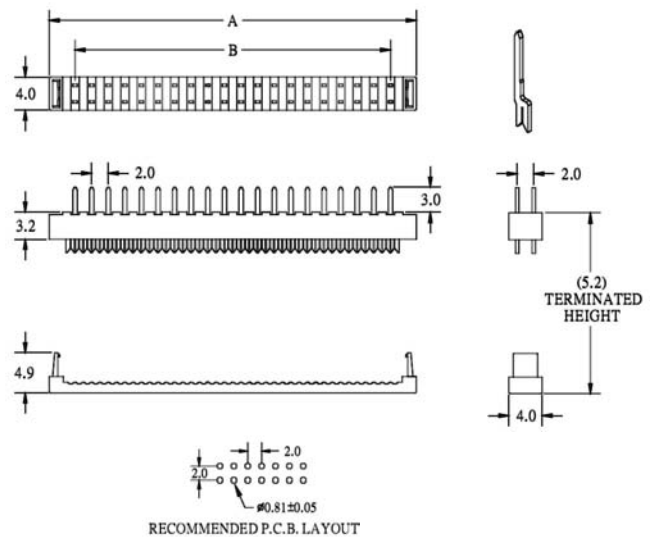
**2.00MM IDC SOCKET
WITHOUT STRAIN RELIEF**



$A=B+7.20$
 $B=2.00*POSITIONS/2-2.00$

NO. OF CONTACTS:
006, 008, 010, 012, 014,
016, 018, 020, 022, 024,
026, 030, 032, 034, 036,
038, 040, 044, 048, 050,
056, 060, 064, 068

2.00MM PITCH DIP PLUG



$A=B+6.20$
 $B=2.00*POSITIONS/2-2.00$

NO. OF CONTACTS:
008, 010, 012, 014, 016,
020, 022, 024, 026, 030,
034, 040, 044, 050, 068

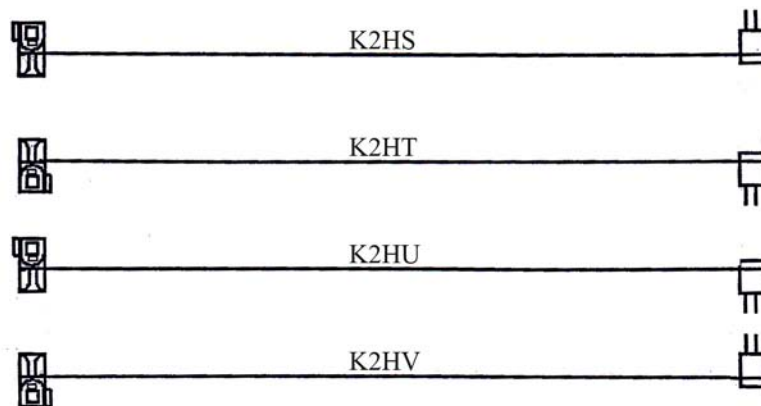
ORDERING INFORMATION:

P/N K 1 2 3 4 **C M B**

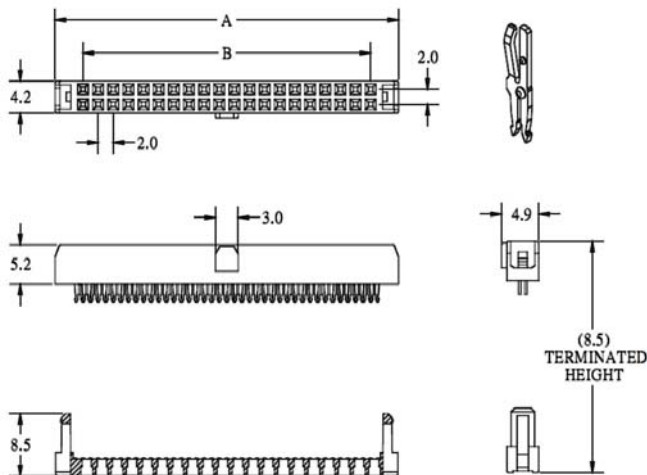
1. CONSTRUCTION TYPE:
2KA, 2KB, 2KC, 2KD
2. NO. OF CONTACTS:
006~068
3. LENGTH IN CM (CENTIMETERS)
4. COLOR OF TWO IDC CONNECTORS:
"B" BLACK

NOTE: IDC SOCKET & DIP PLUG CAN'T BE SUPPLIED ALONE.

**1.00MM PITCH FLAT CABLE
WITH 2.00MM IDC SOCKET (H=8.5MM) TO DIP PLUG (H=5.2MM) (E8)**



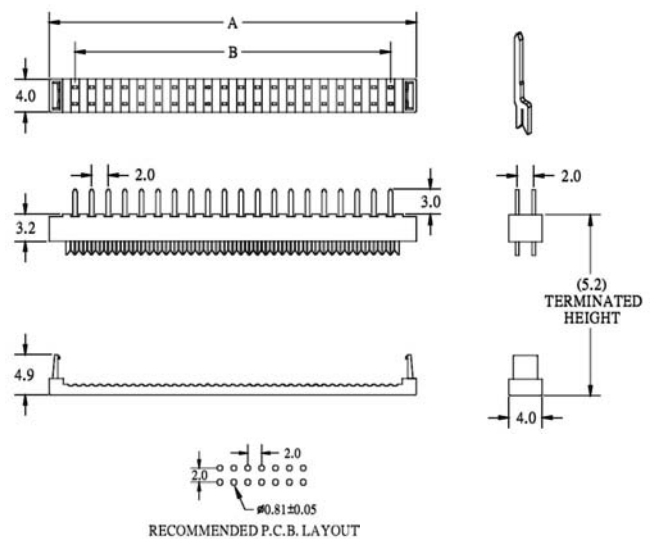
**2.00MM IDC SOCKET
WITH HOOKY TERMINATIONS & W/O S.R.**



A=B+7.20
B=2.00*POSITIONS/2-2.00

NO. OF CONTACTS:
006, 008, 010, 012, 014,
016, 018, 020, 022, 024,
026, 030, 032, 034, 036,
038, 040, 044, 048, 050,
056, 060, 064, 068

2.00MM PITCH DIP PLUG



A=B+6.20
B=2.00*POSITIONS/2-2.00

NO. OF CONTACTS:
008, 010, 012, 014, 016,
020, 022, 024, 026, 030,
034, 040, 044, 050, 068

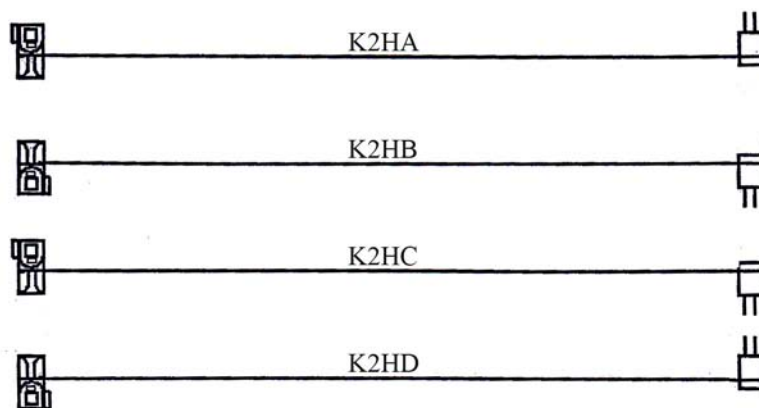
ORDERING INFORMATION:

P/N K 1 2 3 4

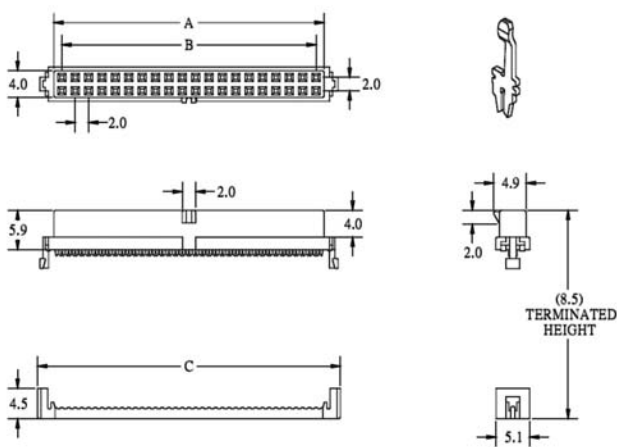
1. CONSTRUCTION TYPE:
2HS, 2HT, 2HU, 2HV
2. NO. OF CONTACTS:
006~068
3. LENGTH IN CM (CENTIMETERS)
4. COLOR OF TWO IDC CONNECTORS:
"B" BLACK

NOTE: IDC SOCKET & DIP PLUG CAN'T BE SUPPLIED ALONE.

**1.00MM PITCH FLAT CABLE
WITH 2.00MM SHRUNK IDC SOCKET (H=8.5MM) TO DIP PLUG (H=5.2MM) (E9)**



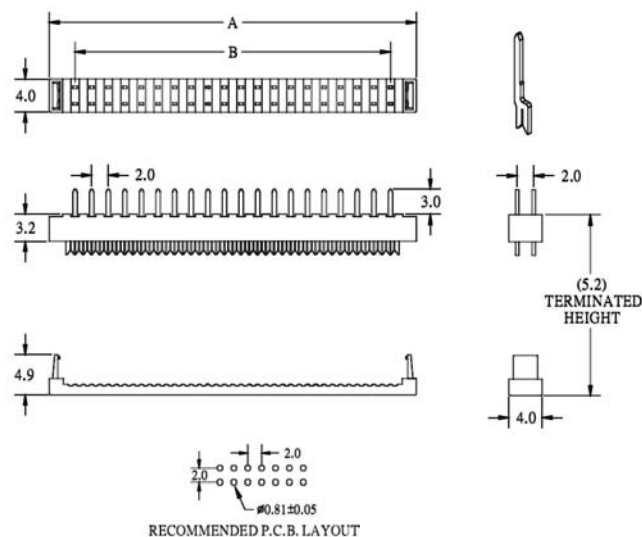
2.00MM SHRUNK IDC SOCKET



A=B+2.40
B=2.00*POSITIONS/2-2.00
C=B+7.17

NO. OF CONTACTS:
006, 008, 010, 012, 014,
016, 020, 022, 024, 026,
030, 034, 040, 044, 050,
068

2.00MM PITCH DIP PLUG



A=B+6.20
B=2.00*POSITIONS/2-2.00

NO. OF CONTACTS:
008, 010, 012, 014, 016,
020, 022, 024, 026, 030,
034, 040, 044, 050, 068

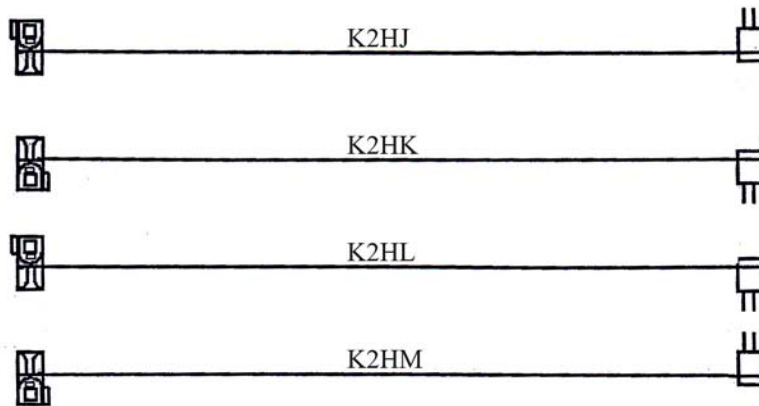
ORDERING INFORMATION:

P/N K 1 2 3 4 C M B

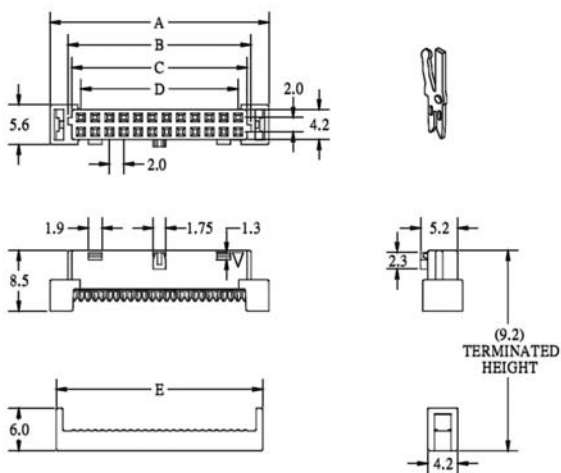
1. CONSTRUCTION TYPE:
2HA, 2HB, 2HC, 2HD
2. NO. OF CONTACTS:
006~068
3. LENGTH IN CM (CENTIMETERS)
4. COLOR OF TWO IDC CONNECTORS:
"B" BLACK

NOTE: IDC SOCKET & DIP PLUG CAN'T BE SUPPLIED ALONE.

**1.00MM PITCH FLAT CABLE
WITH 2.00MM IDC SOCKET (H=9.2MM) TO DIP PLUG (H=5.2MM) (E10)**



**2.00MM IDC SOCKET
WITH RAMP LOCKING & W/O S.R.**



$A=D+8.65$

$B=D+3.65$

$C=D+2.55$

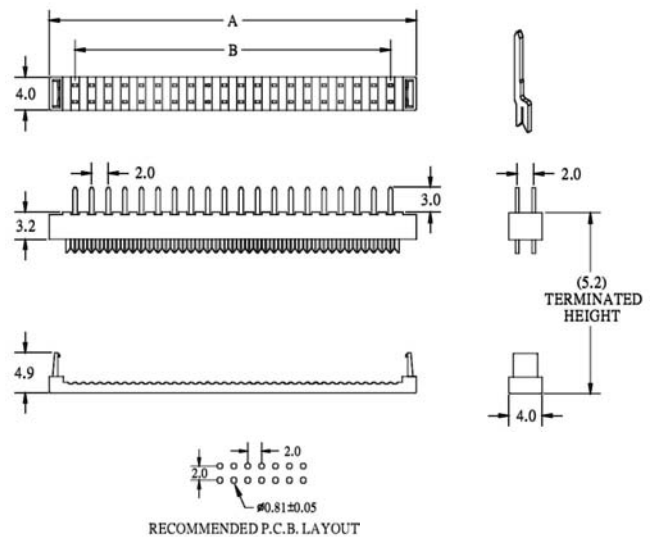
$D=2.00*POSITIONS/2-2.00$

$E=D+6.90$

NO. OF CONTACTS:

010, 012, 014, 016, 020,
022, 024, 026, 030, 034,
040, 044, 050, 068

2.00MM PITCH DIP PLUG



$A=B+6.20$

$B=2.00*POSITIONS/2-2.00$

NO. OF CONTACTS:

008, 010, 012, 014, 016,
020, 022, 024, 026, 030,
034, 040, 044, 050, 068

ORDERING INFORMATION:

P/N K 1 2 3 4 C M B

1. CONSTRUCTION TYPE:

2HJ, 2HK, 2HL, 2HM

2. NO. OF CONTACTS:

010~068

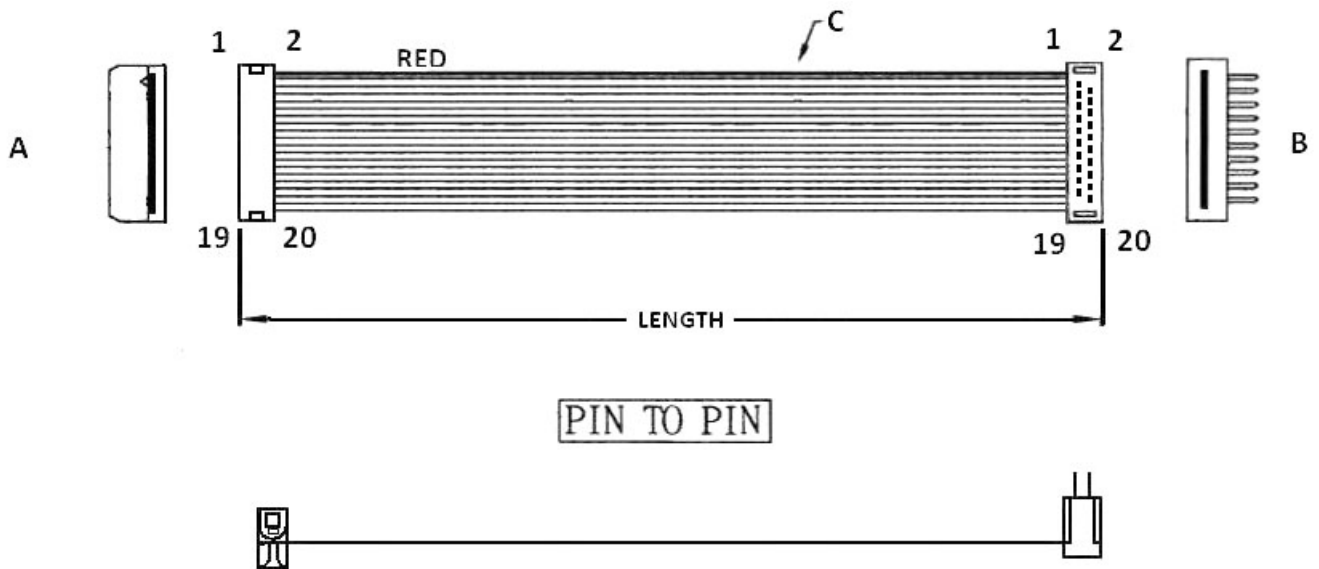
3. LENGTH IN CM (CENTIMETERS)

4. COLOR OF TWO IDC CONNECTORS:

"B" BLACK

NOTE: IDC SOCKET & DIP PLUG CAN'T BE SUPPLIED ALONE.

**1.00MM PITCH FLAT CABLE WITH
2.00MM PITCH IDC SOCKET WITHOUT NOSE (H=9.0MM) TO DIP PLUG (H=5.2MM) (F1)**

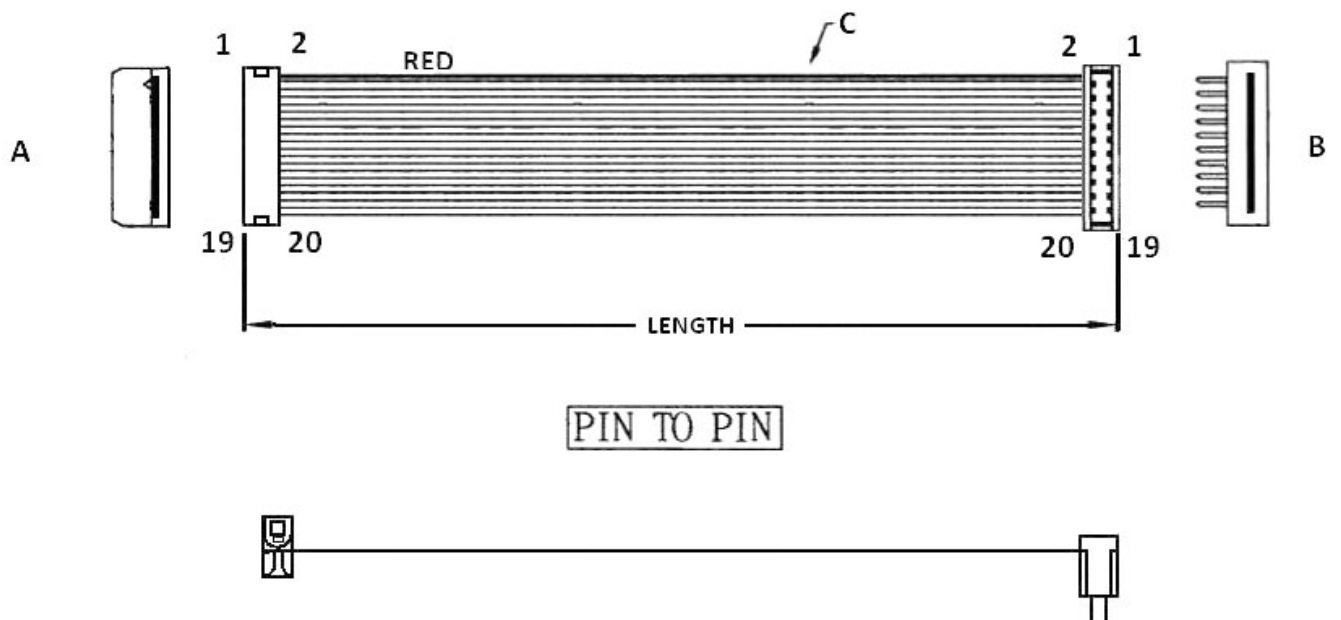


ORDERING INFORMATION:

P/N $\frac{\text{KB}}{1}$ $\frac{\text{xx}}{2}$ $\frac{\text{AD}}{3}$ - $\frac{\text{xx}}{4}$ **CM** $\frac{\text{B}}{5}$

1. FLAT CABLE TYPE:
"KB" 1.00MM AWG28 UL2651 VW-1
PVC INSULATION GRAY
2. NO. OF CONTACTS:
06~68
3. CONNECTORS AT TWO ENDS:
"AD" 2.00MM IDC SOCKET W/O NOSE & W/O S.R.
TO 2.00MM DIP PLUG
4. LENGTH IN CM (CENTIMETERS)
5. COLOR OF TWO IDC CONNECTORS:
"B" BLACK

**1.00MM PITCH FLAT CABLE WITH
2.00MM PITCH IDC SOCKET WITHOUT NOSE (H=9.0MM) TO DIP PLUG (H=5.2MM) (F2)**

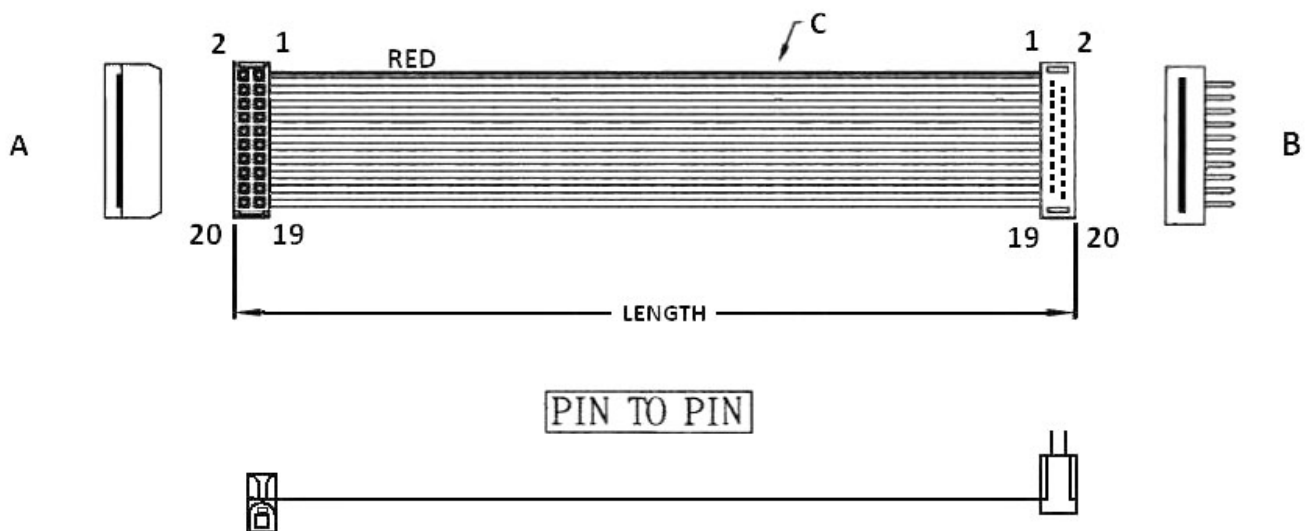


ORDERING INFORMATION:

P/N $\frac{\text{KB}}{1}$ $\frac{\text{xx}}{2}$ $\frac{\text{AP}}{3}$ - $\frac{\text{xx}}{4}$ **CM** $\frac{\text{B}}{5}$

1. FLAT CABLE TYPE:
"KB" 1.00MM AWG28 UL2651 VW-1
PVC INSULATION GRAY
2. NO. OF CONTACTS:
06~68
3. CONNECTORS AT TWO ENDS:
"AP" 2.00MM IDC SOCKET W/O NOSE & W/O S.R.
TO 2.00MM DIP PLUG
4. LENGTH IN CM (CENTIMETERS)
5. COLOR OF TWO IDC CONNECTORS:
"B" BLACK

**1.00MM PITCH FLAT CABLE WITH
2.00MM PITCH IDC SOCKET WITHOUT NOSE (H=9.0MM) TO DIP PLUG (H=5.2MM) (F3)**

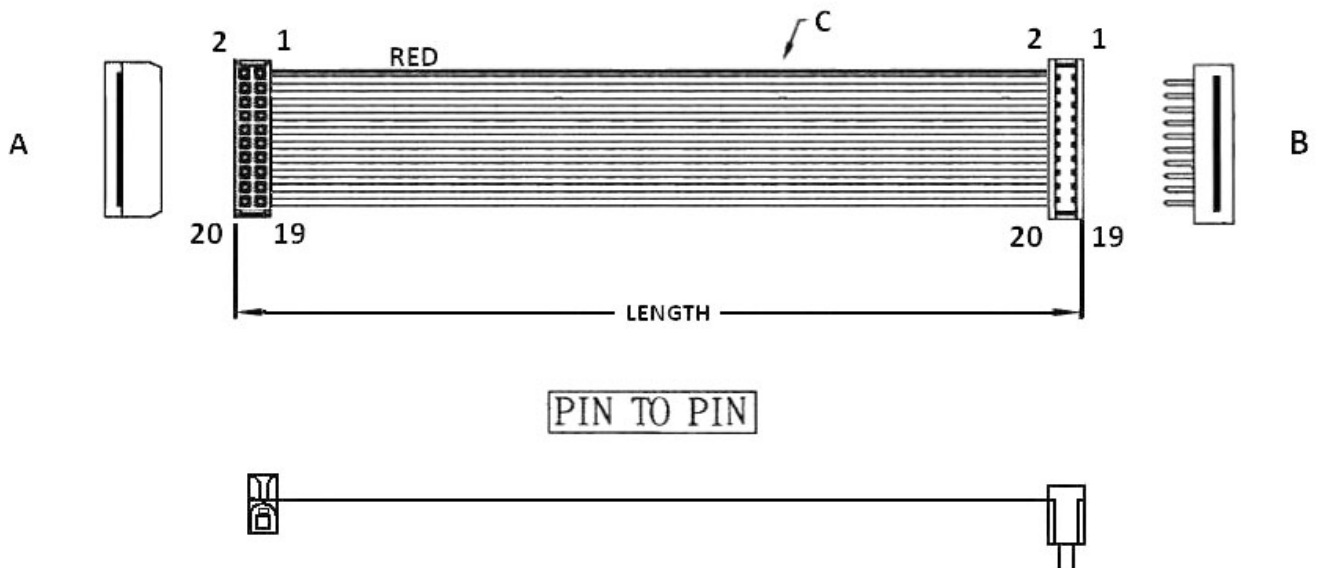


ORDERING INFORMATION:

P/N $\frac{\text{KB}}{1}$ $\frac{\text{xx}}{2}$ $\frac{\text{VD}}{3}$ - $\frac{\text{xx}}{4}$ **CM** $\frac{\text{B}}{5}$

1. FLAT CABLE TYPE:
"KB" 1.00MM AWG28 UL2651 VW-1
PVC INSULATION GRAY
2. NO. OF CONTACTS:
06~68
3. CONNECTORS AT TWO ENDS:
"VD" 2.00MM IDC SOCKET W/O NOSE & W/O S.R.
TO 2.00MM DIP PLUG
4. LENGTH IN CM (CENTIMETERS)
5. COLOR OF TWO IDC CONNECTORS:
"B" BLACK

**1.00MM PITCH FLAT CABLE WITH
2.00MM PITCH IDC SOCKET WITHOUT NOSE (H=9.0MM) TO DIP PLUG (H=5.2MM) (F4)**

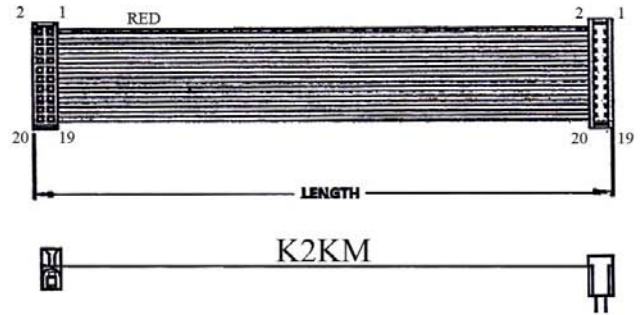
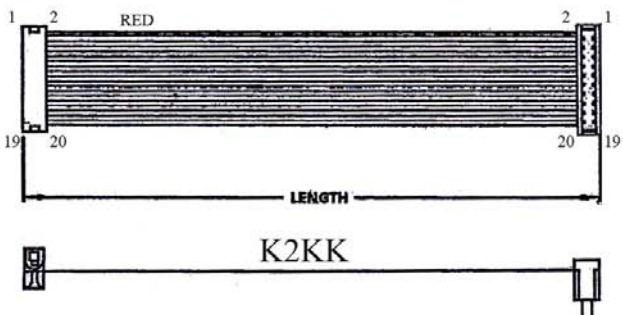
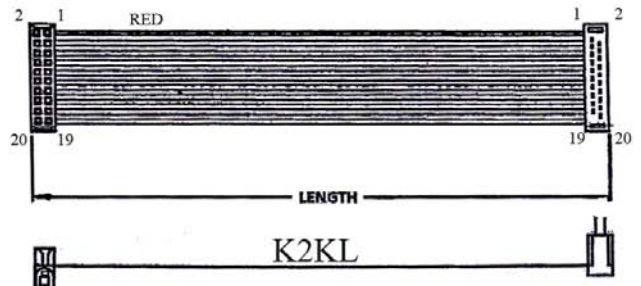
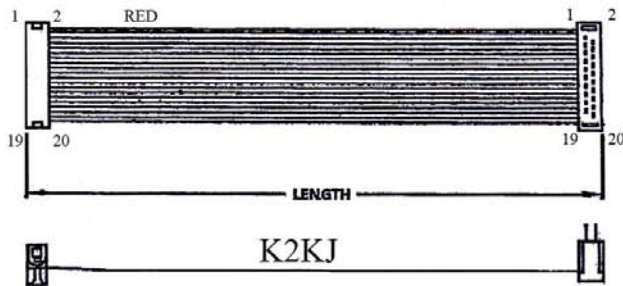


ORDERING INFORMATION:

P/N $\frac{\text{KB}}{1}$ $\frac{\text{xx}}{2}$ $\frac{\text{VP}}{3}$ - $\frac{\text{xx}}{4}$ **CM** $\frac{\text{B}}{5}$

1. FLAT CABLE TYPE:
"KB" 1.00MM AWG28 UL2651 VW-1
PVC INSULATION GRAY
2. NO. OF CONTACTS:
06~68
3. CONNECTORS AT TWO ENDS:
"VP" 2.00MM IDC SOCKET W/O NOSE & W/O S.R.
TO 2.00MM DIP PLUG
4. LENGTH IN CM (CENTIMETERS)
5. COLOR OF TWO IDC CONNECTORS:
"B" BLACK

**1.00MM PITCH FLAT CABLE WITH
2.00MM IDC SOCKET WITHOUT NOSE (H=7.4MM) TO DIP PLUG (H=5.2MM) (F5)**

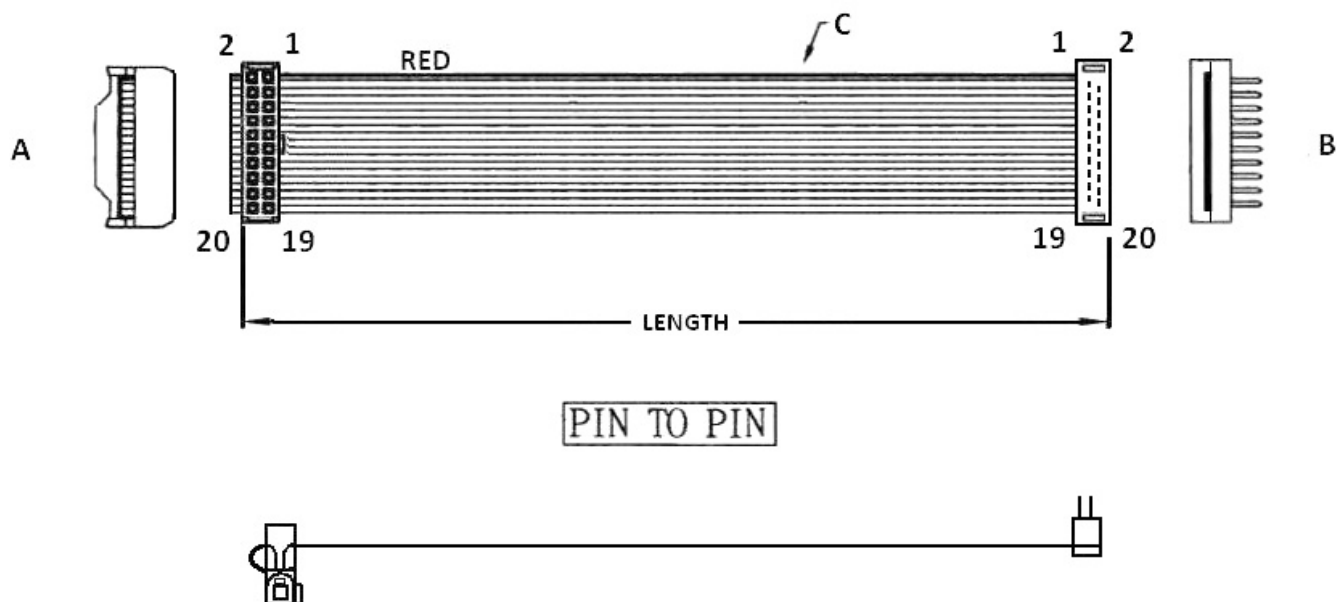


ORDERING INFORMATION:

P/N K 1 2 3 4

1. CONSTRUCTION TYPE:
2KJ, 2KK, 2KL, 2KM
2. NO. OF CONTACTS:
008~050
3. LENGTH IN CM (CENTIMETERS)
4. COLOR OF TWO IDC CONNECTORS:
"B" BLACK

1.00MM PITCH FLAT CABLE WITH 2.00MM PITCH IDC SOCKET WITH STRAIN RELIEF (H=13.0MM) TO DIP PLUG (H=5.2MM) (G1)



PIN TO PIN

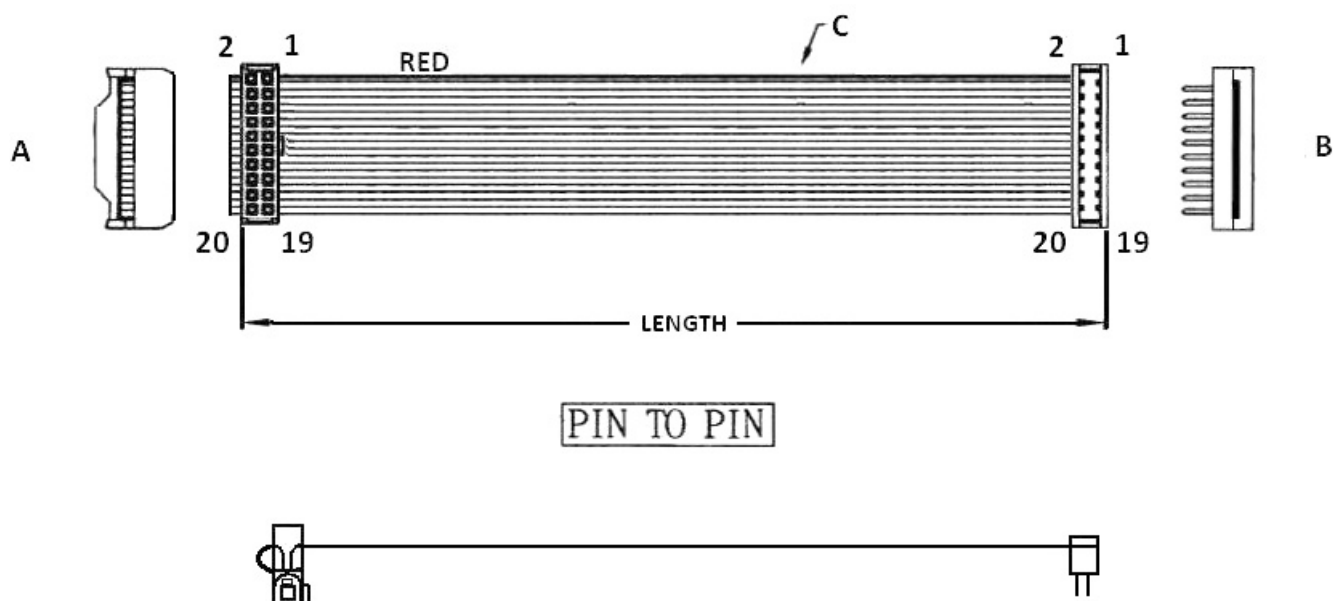
ORDERING INFORMATION:

P/N **K** **B** **xx** **M** **D** - **xx** **C** **M** **B**

1 2 3 4 5

1. FLAT CABLE TYPE:
"KB" 1.00MM AWG28 UL2651 VW-1
PVC INSULATION GRAY
2. NO. OF CONTACTS:
06~68
3. CONNECTORS AT TWO ENDS:
"MD" 2.00MM IDC SOCKET WITH NOSE & S.R. TO
2.00MM DIP PLUG
4. LENGTH IN CM (CENTIMETERS)
5. COLOR OF TWO IDC CONNECTORS:
"B" BLACK

1.00MM PITCH FLAT CABLE WITH 2.00MM PITCH IDC SOCKET WITH STRAIN RELIEF (H=13.0MM) TO DIP PLUG (H=5.2MM) (G2)



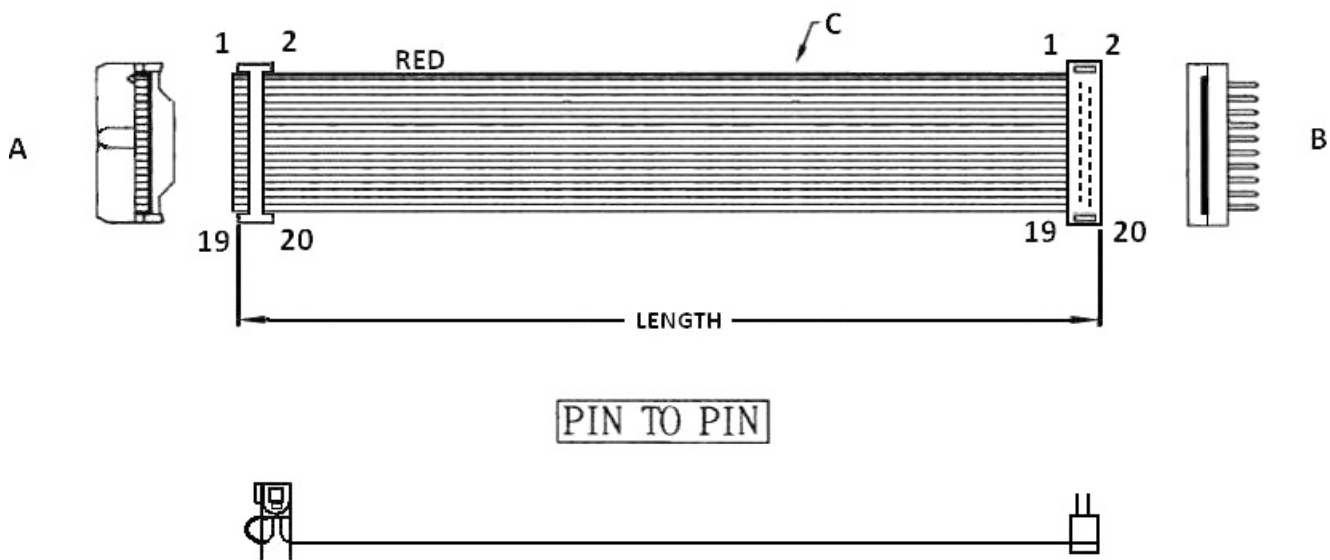
PIN TO PIN

ORDERING INFORMATION:

P/N $\frac{KB}{1} \frac{xx}{2} \frac{MP}{3} - \frac{xx}{4} \frac{CM}{5} \frac{B}{5}$

1. FLAT CABLE TYPE:
"KB" 1.00MM AWG28 UL2651 VW-1
PVC INSULATION GRAY
2. NO. OF CONTACTS:
06~68
3. CONNECTORS AT TWO ENDS:
"MP" 2.00MM IDC SOCKET WITH NOSE & S.R. TO
2.00MM DIP PLUG
4. LENGTH IN CM (CENTIMETERS)
5. COLOR OF TWO IDC CONNECTORS:
"B" BLACK

1.00MM PITCH FLAT CABLE WITH 2.00MM PITCH IDC SOCKET WITH STRAIN RELIEF (H=13.0MM) TO DIP PLUG (H=5.2MM) (G3)



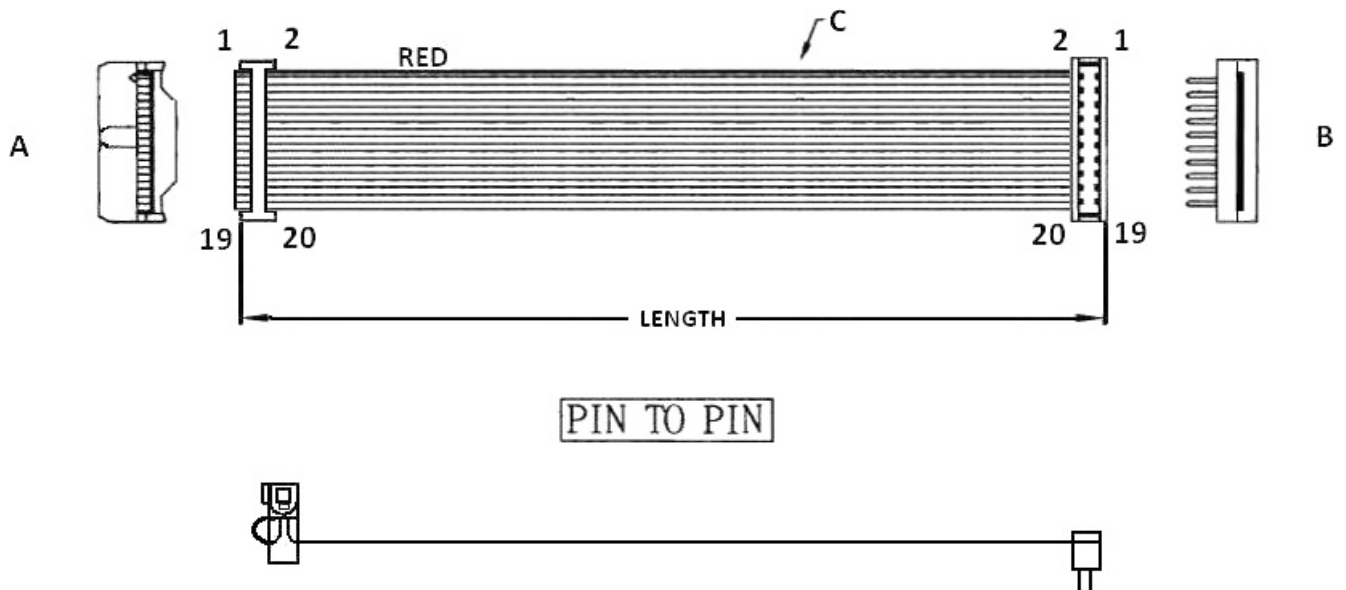
PIN TO PIN

ORDERING INFORMATION:

P/N $\frac{KB}{1} \frac{xx}{2} \frac{ND}{3} - \frac{xx}{4} \frac{CM}{5} \frac{B}{5}$

1. FLAT CABLE TYPE:
"KB" 1.00MM AWG28 UL2651 VW-1
PVC INSULATION GRAY
2. NO. OF CONTACTS:
06~68
3. CONNECTORS AT TWO ENDS:
"ND" 2.00MM IDC SOCKET WITH NOSE & S.R. TO
2.00MM DIP PLUG
4. LENGTH IN CM (CENTIMETERS)
5. COLOR OF TWO IDC CONNECTORS:
"B" BLACK

1.00MM PITCH FLAT CABLE WITH 2.00MM PITCH IDC SOCKET WITH STRAIN RELIEF (H=13.0MM) TO DIP PLUG (H=5.2MM) (G4)

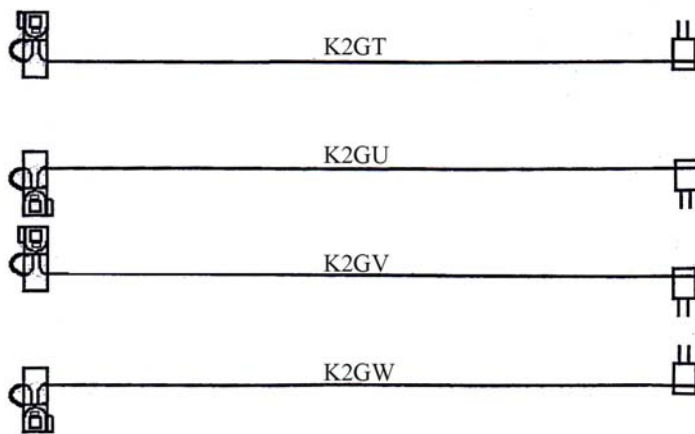


ORDERING INFORMATION:

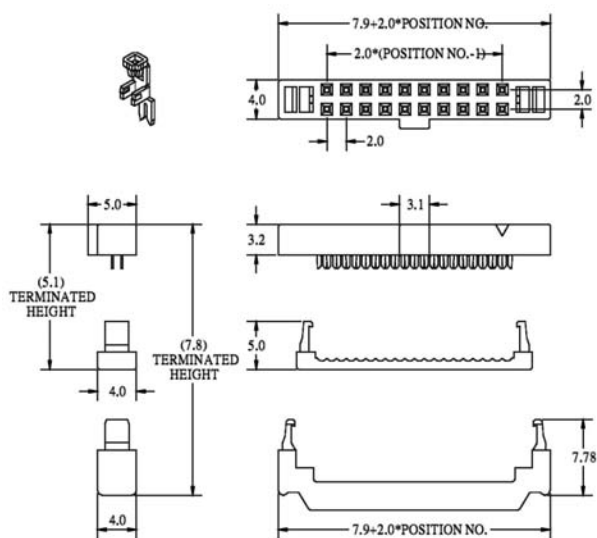
P/N $\frac{\text{KB}}{1}$ $\frac{\text{xx}}{2}$ $\frac{\text{NP}}{3}$ - $\frac{\text{xx}}{4}$ **CM** $\frac{\text{B}}{5}$

1. FLAT CABLE TYPE:
"KB" 1.00MM AWG28 UL2651 VW-1
PVC INSULATION GRAY
2. NO. OF CONTACTS:
06~68
3. CONNECTORS AT TWO ENDS:
"NP" 2.00MM IDC SOCKET WITH NOSE & S.R. TO
2.00MM DIP PLUG
4. LENGTH IN CM (CENTIMETERS)
5. COLOR OF TWO IDC CONNECTORS:
"B" BLACK

1.00MM PITCH FLAT CABLE WITH 2.00MM IDC SOCKET (H=7.8MM) TO DIP PLUG (H=5.2MM) (G5)

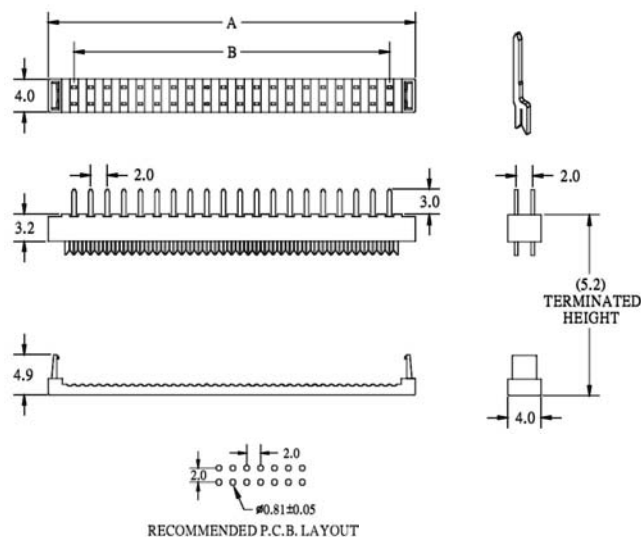


2.00MM IDC SOCKET WITH INTENSIVE CONTACTS & S.R.



NO. OF CONTACTS:
006, 008, 010, 012, 014,
016, 020, 022, 024, 026,
030, 034, 036, 040, 044,
050

2.00MM PITCH DIP PLUG



A=B+6.20
B=2.00*POSITIONS/2-2.00

NO. OF CONTACTS:
008, 010, 012, 014, 016,
020, 022, 024, 026, 030,
034, 040, 044, 050, 068

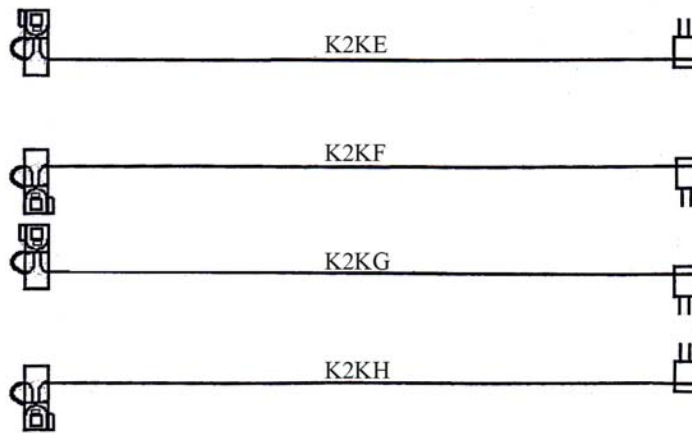
ORDERING INFORMATION:

P/N **K** **x x x x x x** - **x x** **C M B**

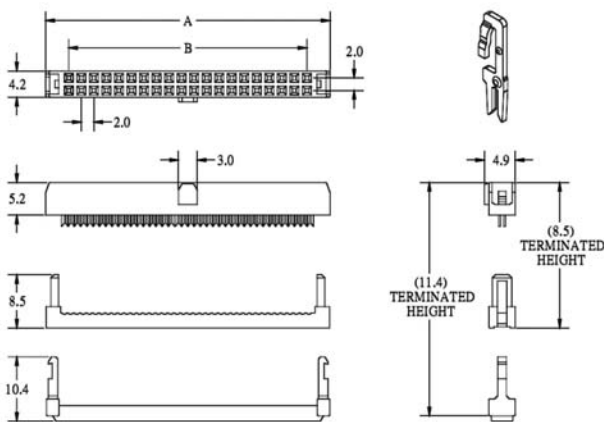
1. CONSTRUCTION TYPE:
2GT, 2GU, 2GV, 2GW
2. NO. OF CONTACTS:
006~050
3. LENGTH IN CM (CENTIMETERS)
4. COLOR OF TWO IDC CONNECTORS:
"B" BLACK

NOTE: IDC SOCKET & DIP PLUG CAN'T BE SUPPLIED ALONE.

**1.00MM PITCH FLAT CABLE
WITH 2.00MM IDC SOCKET (H=11.4MM) TO DIP PLUG (H=5.2MM) (G6)**



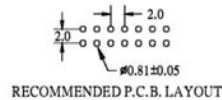
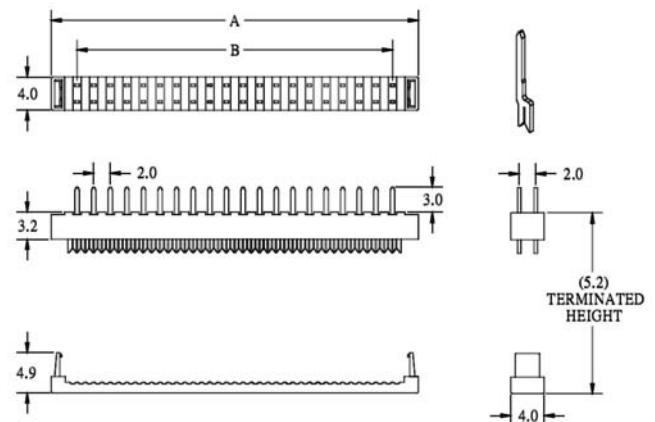
**2.00MM IDC SOCKET
WITH STRAIN RELIEF**



$A=B+7.20$
 $B=2.00*POSITIONS/2-2.00$

NO. OF CONTACTS:
006, 008, 010, 012, 014,
016, 018, 020, 022, 024,
026, 030, 032, 034, 036,
038, 040, 044, 048, 050,
056, 060, 064, 068

2.00MM PITCH DIP PLUG



$A=B+6.20$
 $B=2.00*POSITIONS/2-2.00$

NO. OF CONTACTS:
008, 010, 012, 014, 016,
020, 022, 024, 026, 030,
034, 040, 044, 050, 068

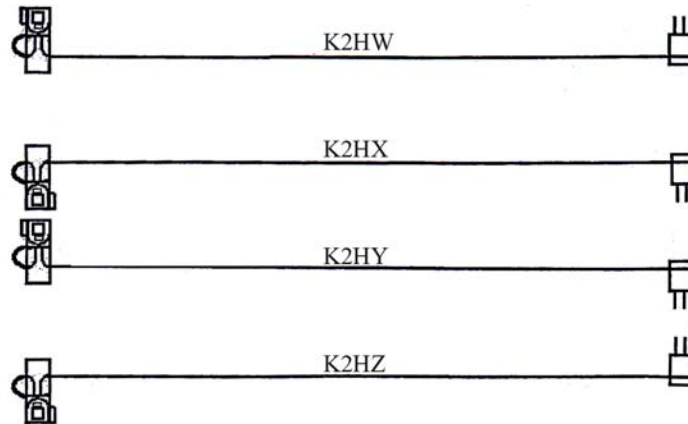
ORDERING INFORMATION:

P/N K 1 2 3 4 **C M B**

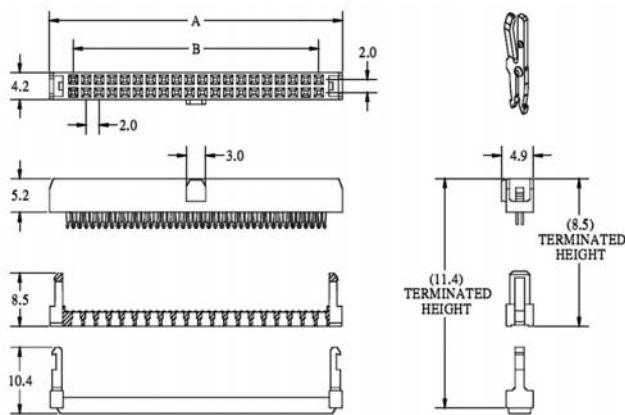
1. CONSTRUCTION TYPE:
2KE, 2KF, 2KG, 2KH
2. NO. OF CONTACTS:
010~068
3. LENGTH IN CM (CENTIMETERS)
4. COLOR OF TWO IDC CONNECTORS:
"B" BLACK

NOTE: IDC SOCKET & DIP PLUG CAN'T BE SUPPLIED ALONE.

**1.00MM PITCH FLAT CABLE
WITH 2.00MM IDC SOCKET (H=11.4MM) TO DIP PLUG (H=5.2MM) (G7)**



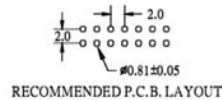
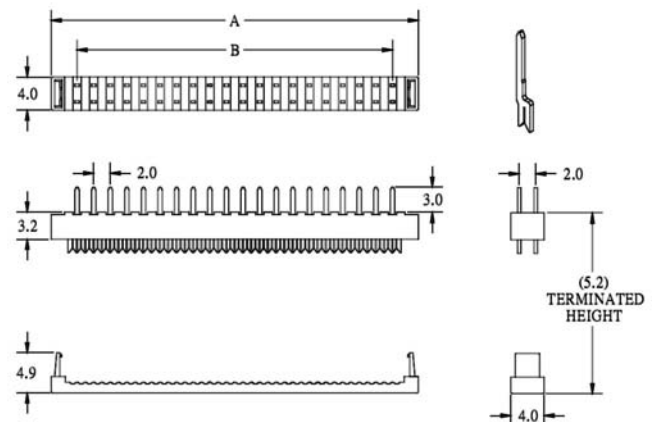
**2.00MM IDC SOCKET
WITH HOOKY TERMINATIONS & S.R.**



$A=B+7.20$
 $B=2.00*\text{POSITIONS}/2-2.00$

NO. OF CONTACTS:
006, 008, 010, 012, 014,
016, 018, 020, 022, 024,
026, 030, 032, 034, 036,
038, 040, 044, 048, 050,
056, 060, 064, 068

2.00MM PITCH DIP PLUG



$A=B+6.20$
 $B=2.00*\text{POSITIONS}/2-2.00$

NO. OF CONTACTS:
008, 010, 012, 014, 016,
020, 022, 024, 026, 030,
034, 040, 044, 050, 068

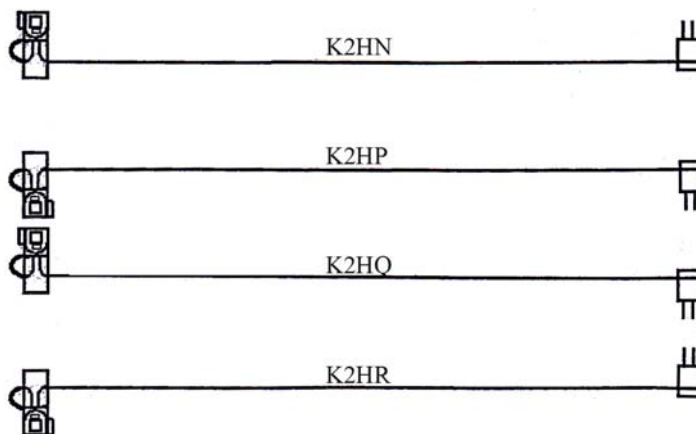
ORDERING INFORMATION:

P/N K 1 2 3 4 C M B

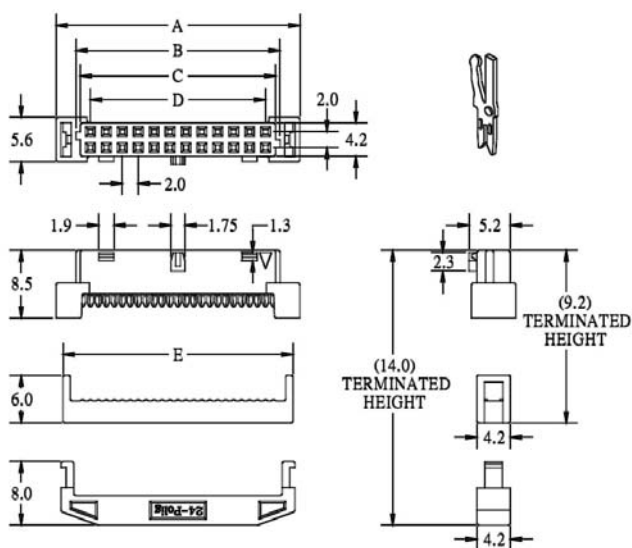
1. CONSTRUCTION TYPE:
2HW, 2HX, 2HY, 2HZ
2. NO. OF CONTACTS:
006~068
3. LENGTH IN CM (CENTIMETERS)
4. COLOR OF TWO IDC CONNECTORS:
"B" BLACK

NOTE: IDC SOCKET & DIP PLUG CAN'T BE SUPPLIED ALONE.

1.00MM PITCH FLAT CABLE WITH 2.00MM IDC SOCKET (H=14.0MM) TO DIP PLUG (H=5.2MM) (G8)



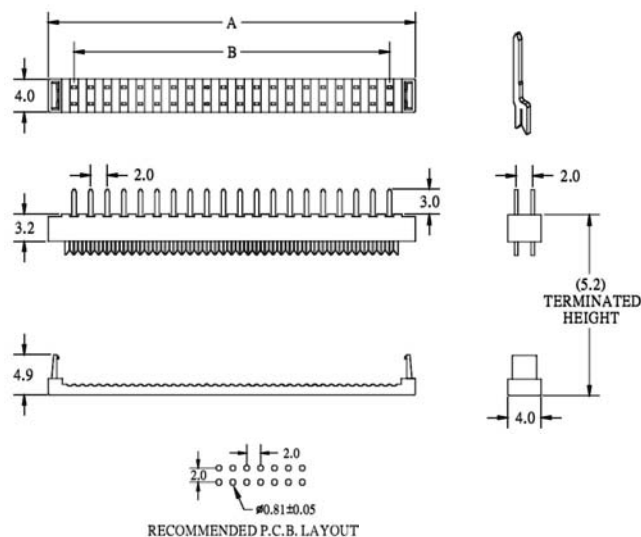
2.00MM IDC SOCKET WITH RAMP LOCKING & S.R.



$A = D + 8.65$
 $B = D + 3.65$
 $C = D + 2.55$
 $D = 2.00 * \text{POSITIONS} / 2 - 2.00$

NO. OF CONTACTS:
 010, 012, 014, 016, 020,
 022, 024, 026, 030, 034,
 040, 044, 050, 068

2.00MM PITCH DIP PLUG



$A = B + 6.20$
 $B = 2.00 * \text{POSITIONS} / 2 - 2.00$

NO. OF CONTACTS:
 008, 010, 012, 014, 016,
 020, 022, 024, 026, 030,
 034, 040, 044, 050, 068

ORDERING INFORMATION:

P/N **K** **x x x x x x** - **x x** **C M B**

1. CONSTRUCTION TYPE:
2HN, 2HP, 2HQ, 2HR
2. NO. OF CONTACTS:
010~068
3. LENGTH IN CM (CENTIMETERS)
4. COLOR OF TWO IDC CONNECTORS:
"B" BLACK

NOTE: IDC SOCKET & DIP PLUG CAN'T BE SUPPLIED ALONE.