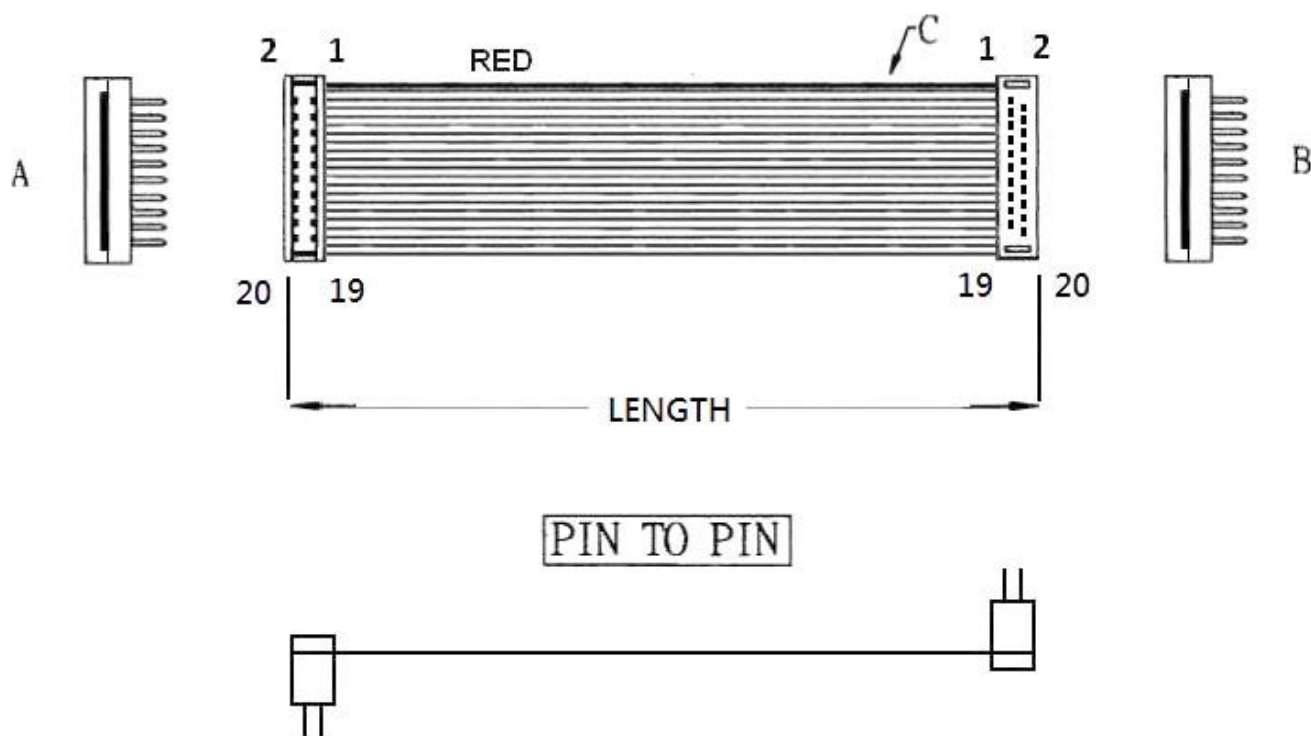


**1.00MM PITCH FLAT CABLE WITH
2* 2.00MM PITCH DIP PLUGS (H=5.2MM) (H1)**

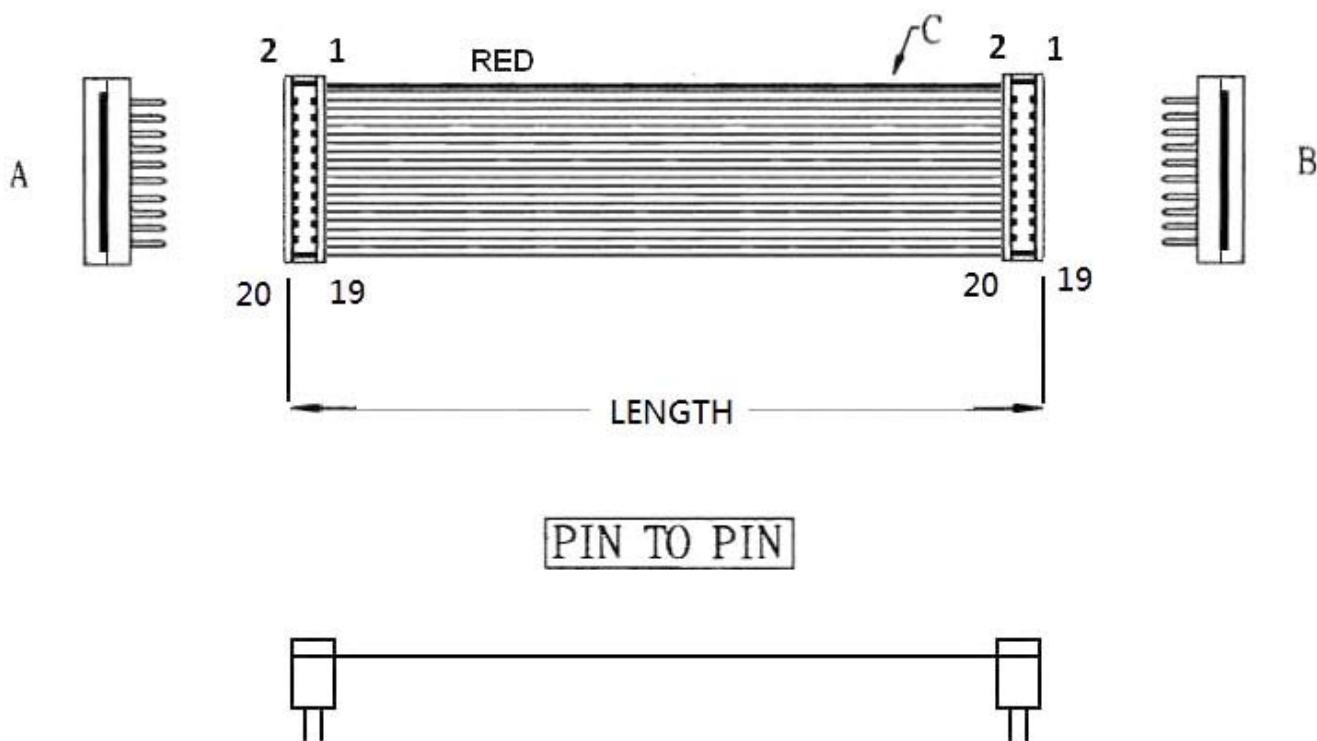


ORDERING INFORMATION:

P/N $\frac{\text{KB}}{1}$ $\frac{\text{xx}}{2}$ $\frac{\text{DD}}{3}$ - $\frac{\text{xx}}{4}$ **CM** $\frac{\text{B}}{5}$

1. FLAT CABLE TYPE:
"KB" 1.00MM AWG28 UL2651 VW-1
PVC INSULATION GRAY
2. NO. OF CONTACTS:
06~68
3. CONNECTORS AT TWO ENDS:
"DD" 2.00MM DIP PLUG
TO 2.00MM DIP PLUG
4. LENGTH IN CM (CENTIMETERS)
5. COLOR OF TWO IDC CONNECTORS:
"B" BLACK

**1.00MM PITCH FLAT CABLE WITH
2* 2.00MM PITCH DIP PLUGS (H=5.2MM) (H2)**

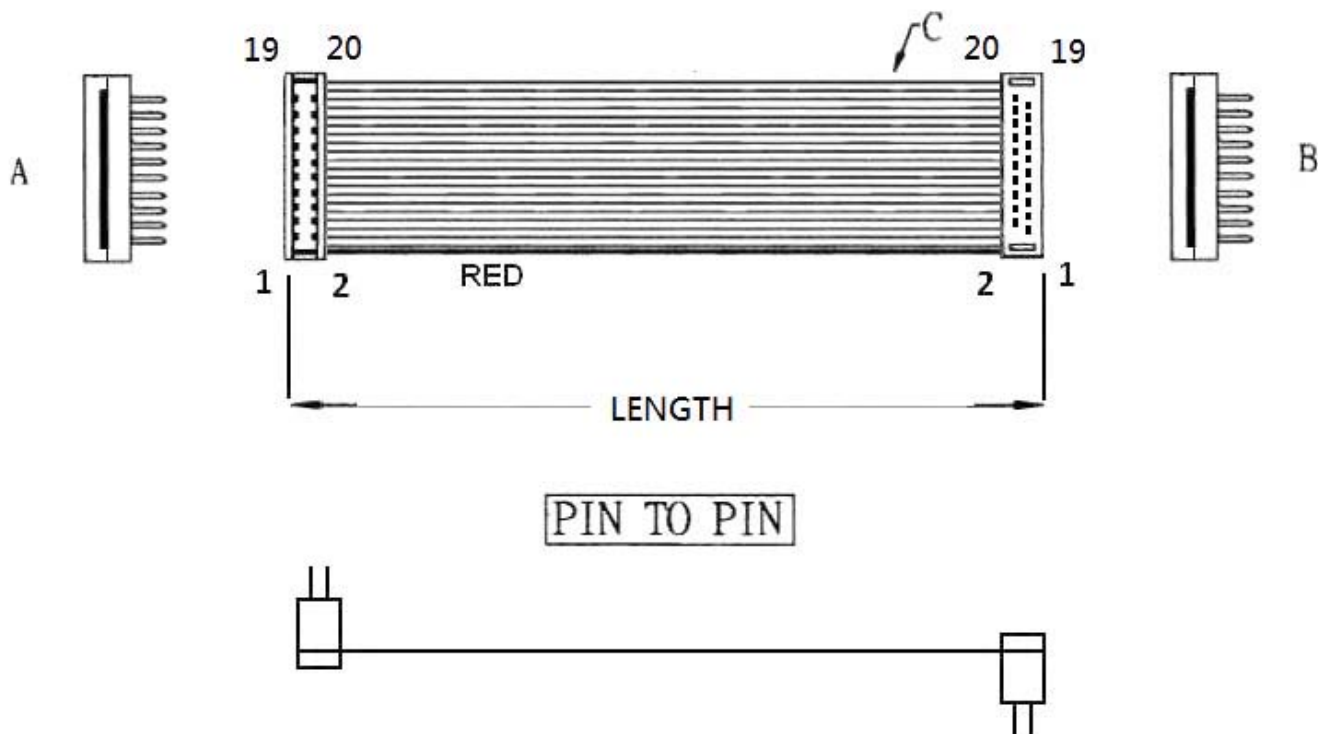


ORDERING INFORMATION:

P/N $\frac{\text{KB}}{1}$ $\frac{\text{xx}}{2}$ $\frac{\text{DP}}{3}$ - $\frac{\text{xx}}{4}$ **CM** $\frac{\text{B}}{5}$

1. FLAT CABLE TYPE:
"KB" 1.00MM AWG28 UL2651 VW-1
PVC INSULATION GRAY
2. NO. OF CONTACTS:
06~68
3. CONNECTORS AT TWO ENDS:
"DP" 2.00MM DIP PLUG
TO 2.00MM DIP PLUG
4. LENGTH IN CM (CENTIMETERS)
5. COLOR OF TWO IDC CONNECTORS:
"B" BLACK

**1.00MM PITCH FLAT CABLE WITH
2* 2.00MM PITCH DIP PLUGS (H=5.2MM) (H3)**

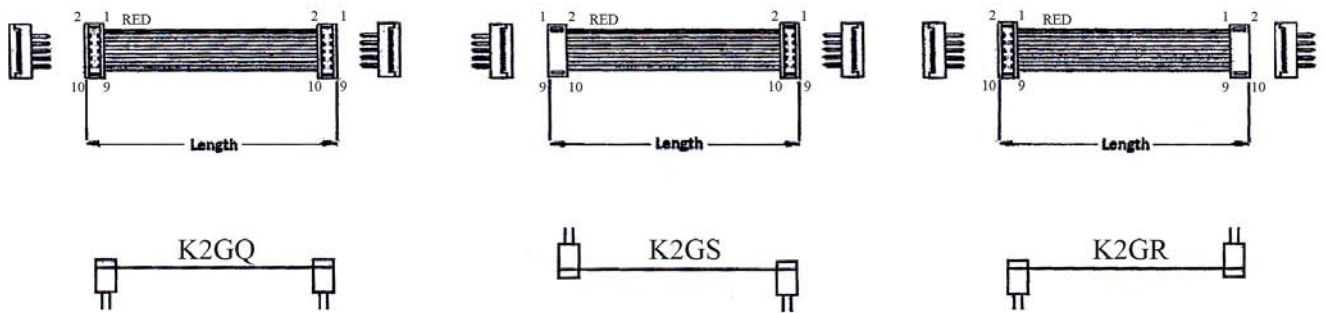


ORDERING INFORMATION:

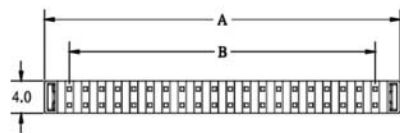
P/N **K****B****xx****PP**-**xx****C****M****B**
1 2 3 4 5

1. FLAT CABLE TYPE:
"KB" 1.00MM AWG28 UL2651 VW-1
PVC INSULATION GRAY
2. NO. OF CONTACTS:
06~68
3. CONNECTORS AT TWO ENDS:
"PP" 2.00MM DIP PLUG
TO 2.00MM DIP PLUG
4. LENGTH IN CM (CENTIMETERS)
5. COLOR OF TWO IDC CONNECTORS:
"B" BLACK

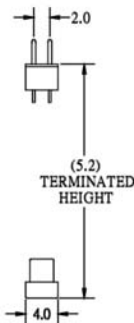
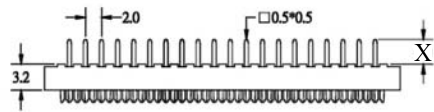
1.00MM PITCH FLAT CABLE WITH 2* 2.00MM DIP PLUGS (H=5.2MM) (H4)



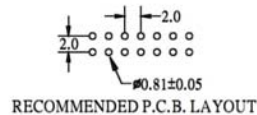
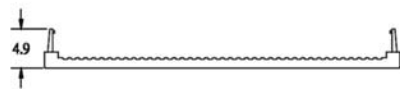
2.00MM PITCH DIP PLUG WITH 0.5MM SQUARE TAILS DIP= 3.0MM



$A=B+6.20$
 $B=2.00 \times \text{POSITIONS}/2-2.00$
 $X=\text{PIN LENGTH}$



NO. OF CONTACTS:
 008, 010, 012, 014, 016,
 020, 024, 026, 030, 034,
 040, 044, 050, 068



ORDERING INFORMATION:

P/N **K** **x x x x x x** - **x x** **C M B** **x**
 1 2 3 4 5

- CONSTRUCTION TYPE:
2GQ, 2GR, 2GS
- NO. OF CONTACTS:
008~068
- LENGTH IN CM (CENTIMETERS)
- COLOR OF TWO IDC CONNECTORS:
"B" BLACK

- PIN LENGTH OF DIP PLUG:
"3" X= 3.0MM (STANDARD)
"4" X= 3.8MM
"6" X= 6.0MM

NOTE: DIP PLUG CAN'T BE SUPPLIED ALONE.