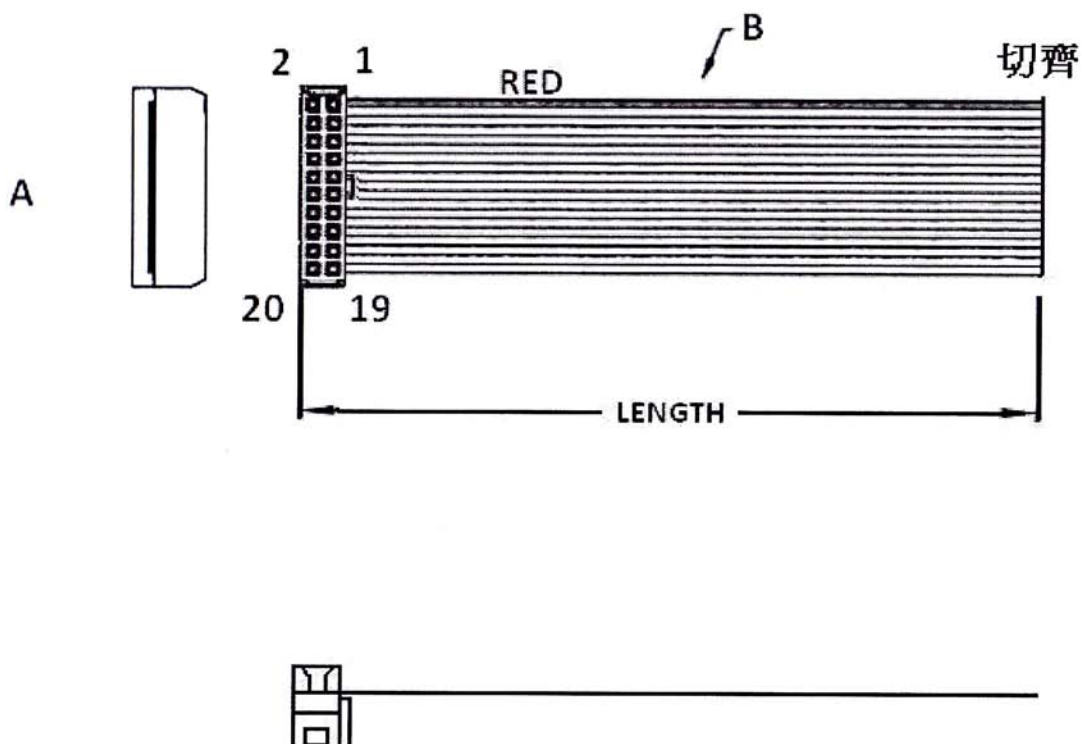


**1.00MM PITCH FLAT CABLE WITH
2.00MM PITCH IDC SOCKET WITHOUT STRAIN RELIEF (H=9.0MM) TO OPEN END (1)**

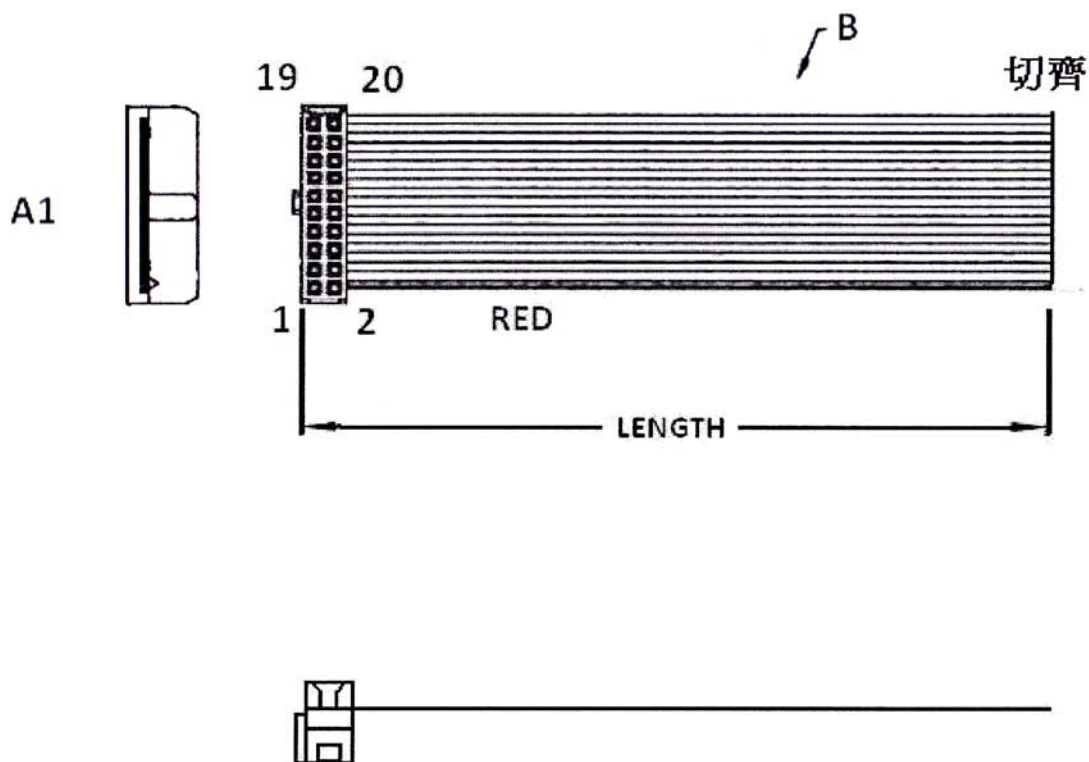


ORDERING INFORMATION:

P/N $\frac{\text{KB}}{1}$ $\frac{\text{xx}}{2}$ $\frac{\text{KO}}{3}$ - $\frac{\text{xx}}{4}$ **CM** $\frac{\text{B}}{5}$

1. FLAT CABLE TYPE:
"KB" 1.00MM AWG28 UL2651 VW-1
PVC INSULATION GRAY
2. NO. OF CONTACTS:
06~68
3. CONNECTORS AT TWO ENDS:
"KO" 2.00MM IDC SOCKET W/O S.R. WITH NOSE
TO OPEN END
4. LENGTH IN CM (CENTIMETERS)
5. COLOR OF IDC CONNECTOR:
"B" BLACK

**1.00MM PITCH FLAT CABLE WITH
2.00MM PITCH IDC SOCKET WITHOUT STRAIN RELIEF (H=9.0MM) TO OPEN END (2)**

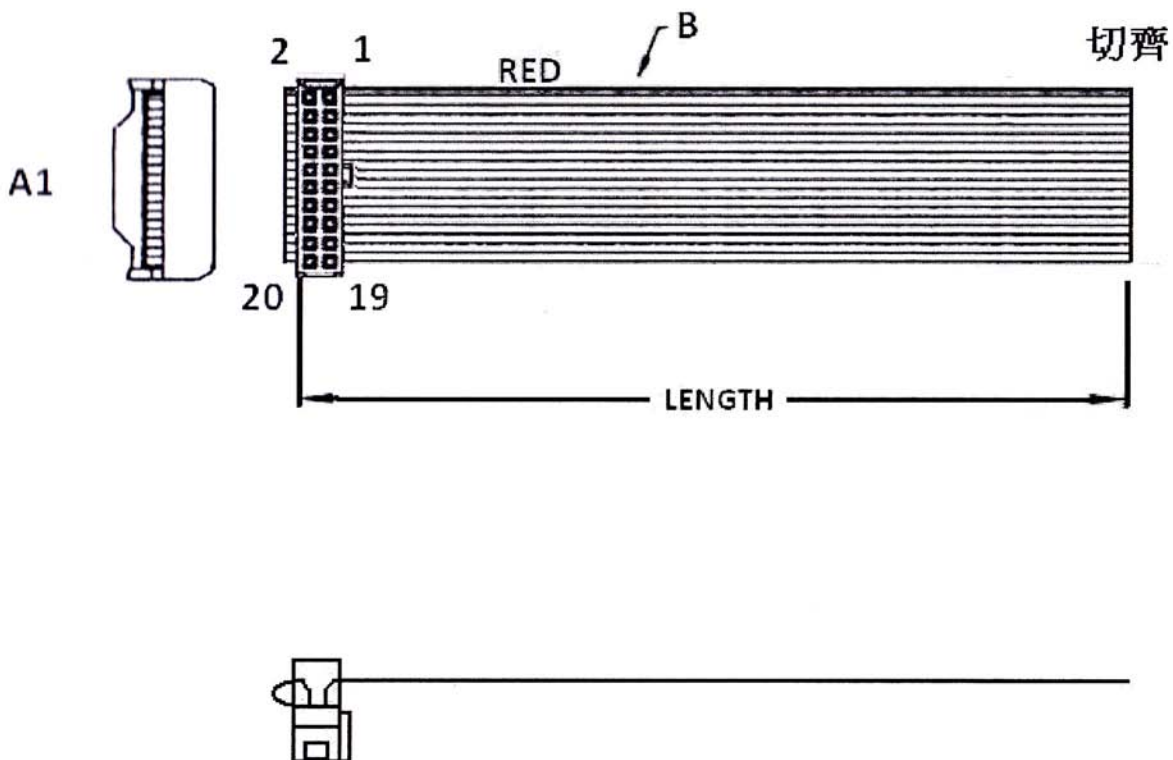


ORDERING INFORMATION:

P/N $\frac{KB}{1}$ $\frac{xx}{2}$ $\frac{LO}{3}$ - $\frac{xx}{4}$ $\frac{CM}{5}$ $\frac{B}{5}$

1. FLAT CABLE TYPE:
"KB" 1.00MM AWG28 UL2651 VW-1
PVC INSULATION GRAY
2. NO. OF CONTACTS:
06~68
3. CONNECTORS AT TWO ENDS:
"LO" 2.00MM IDC SOCKET W/O S.R. WITH NOSE
TO OPEN END
4. LENGTH IN CM (CENTIMETERS)
5. COLOR OF IDC CONNECTOR:
"B" BLACK

**1.00MM PITCH FLAT CABLE WITH
2.00MM PITCH IDC SOCKET WITH STRAIN RELIEF (H=13.0MM) TO OPEN END (1)**

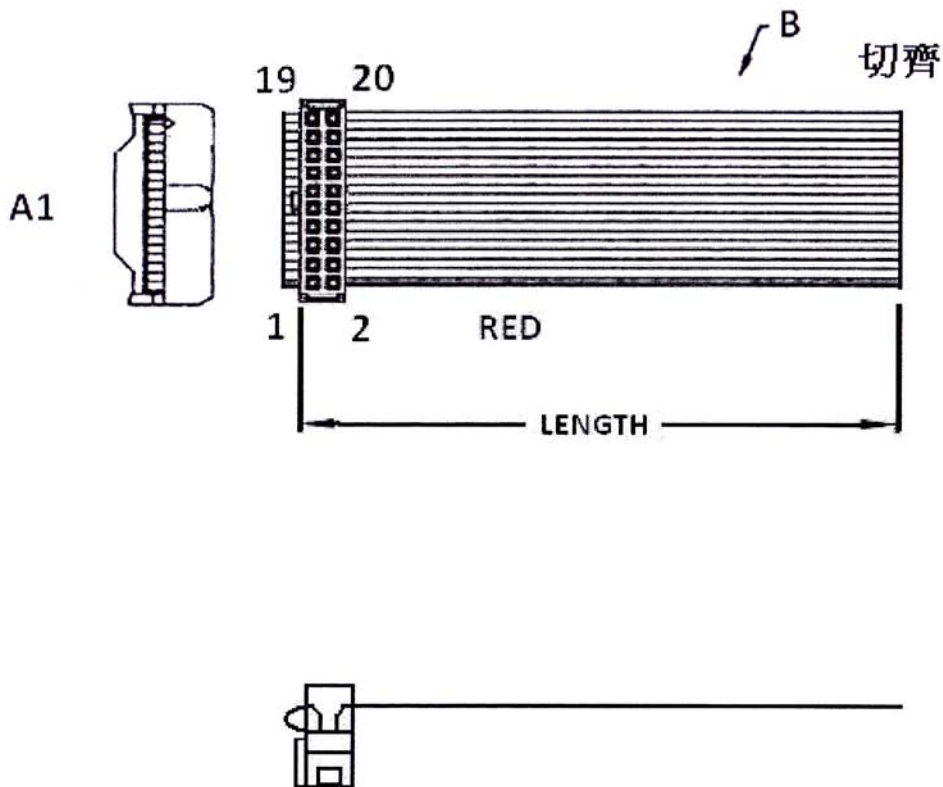


ORDERING INFORMATION:

P/N $\frac{\text{KB}}{1}$ $\frac{\text{xx}}{2}$ $\frac{\text{MO}}{3}$ - $\frac{\text{xx}}{4}$ **CM** $\frac{\text{B}}{5}$

1. FLAT CABLE TYPE:
"KB" 1.00MM AWG28 UL2651 VW-1
PVC INSULATION GRAY
2. NO. OF CONTACTS:
06~68
3. CONNECTORS AT TWO ENDS:
"MO" 2.00MM IDC SOCKET WITH S.R. WITH NOSE
TO OPEN END
4. LENGTH IN CM (CENTIMETERS)
5. COLOR OF IDC CONNECTOR:
"B" BLACK

**1.00MM PITCH FLAT CABLE WITH
2.00MM PITCH IDC SOCKET WITH STRAIN RELIEF (H=13.0MM) TO OPEN END (2)**

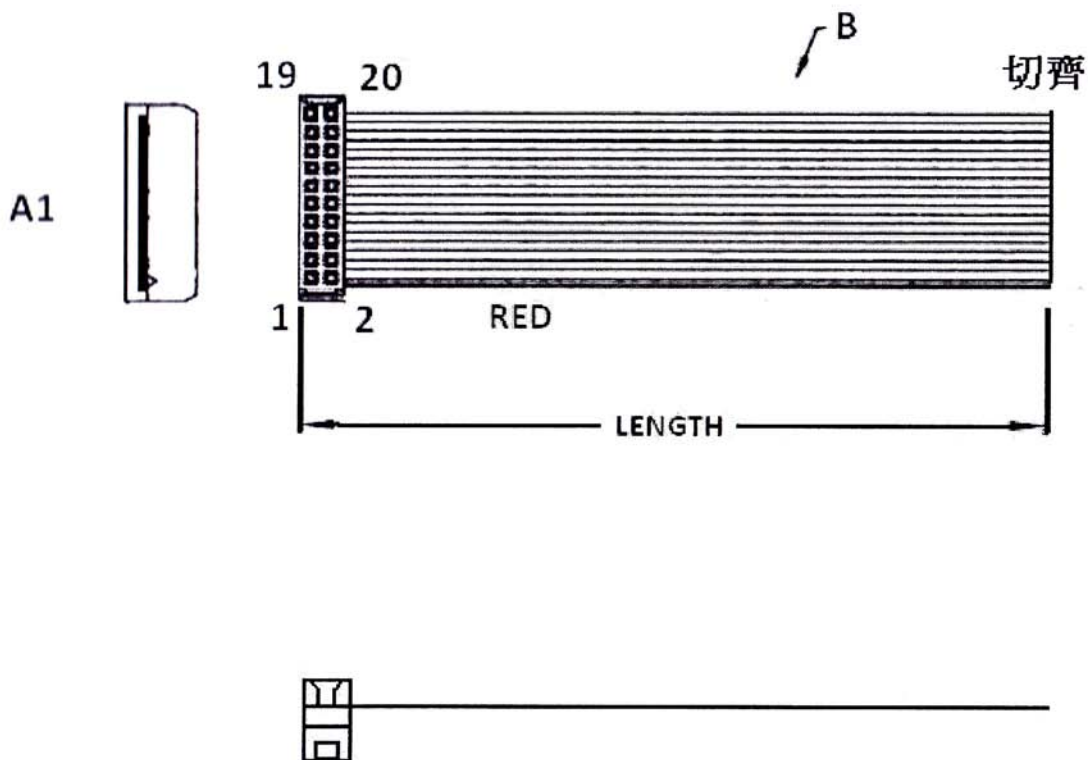


ORDERING INFORMATION:

P/N $\frac{\text{KB}}{1}$ $\frac{\text{xx}}{2}$ $\frac{\text{NO}}{3}$ - $\frac{\text{xx}}{4}$ **CM** $\frac{\text{B}}{5}$

1. FLAT CABLE TYPE:
"KB" 1.00MM AWG28 UL2651 VW-1
PVC INSULATION GRAY
2. NO. OF CONTACTS:
06~68
3. CONNECTORS AT TWO ENDS:
"NO" 2.00MM IDC SOCKET WITH S.R. WITH NOSE
TO OPEN END
4. LENGTH IN CM (CENTIMETERS)
5. COLOR OF IDC CONNECTOR:
"B" BLACK

**1.00MM PITCH FLAT CABLE WITH
2.00MM PITCH IDC SOCKET WITHOUT NOSE (H=9.0MM) TO OPEN END (1)**

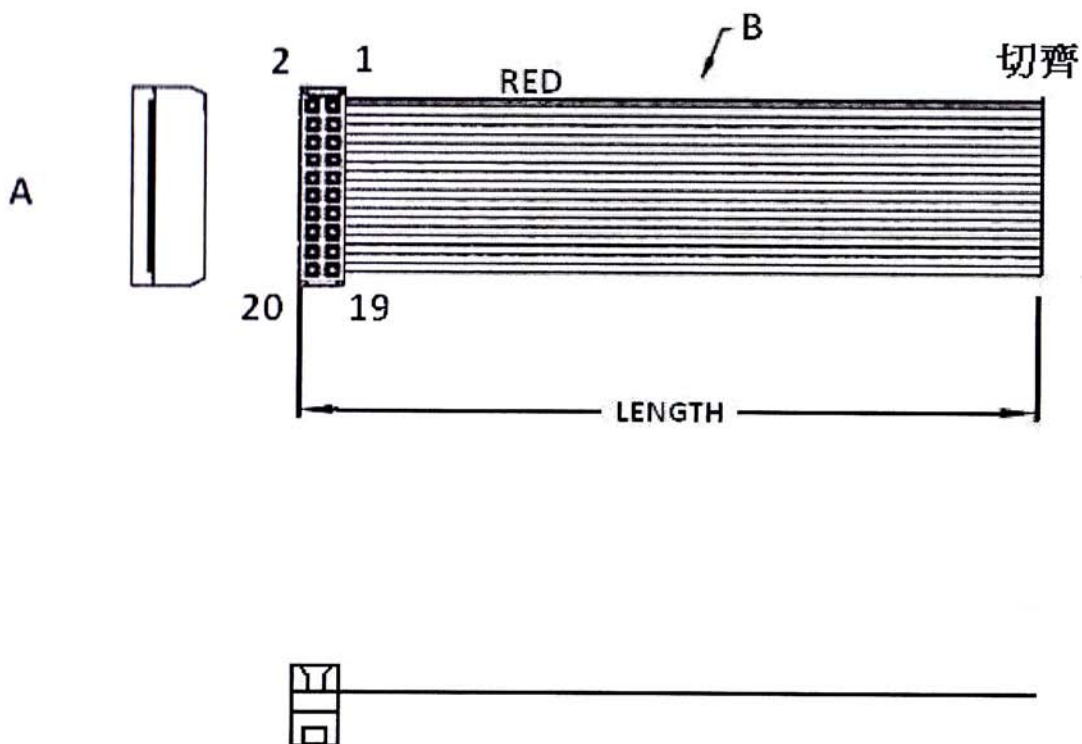


ORDERING INFORMATION:

P/N $\frac{KB}{1}$ $\frac{xx}{2}$ $\frac{AO}{3}$ - $\frac{xx}{4}$ **CM** $\frac{B}{5}$

1. FLAT CABLE TYPE:
"KB" 1.00MM AWG28 UL2651 VW-1
PVC INSULATION GRAY
2. NO. OF CONTACTS:
06~68
3. CONNECTORS AT TWO ENDS:
"AO" 2.00MM IDC SOCKET W/O S.R. W/O NOSE
TO OPEN END
4. LENGTH IN CM (CENTIMETERS)
5. COLOR OF IDC CONNECTOR:
"B" BLACK

**1.00MM PITCH FLAT CABLE WITH
2.00MM PITCH IDC SOCKET WITHOUT NOSE (H=9.0MM) TO OPEN END (2)**

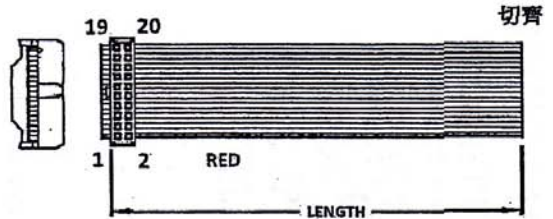
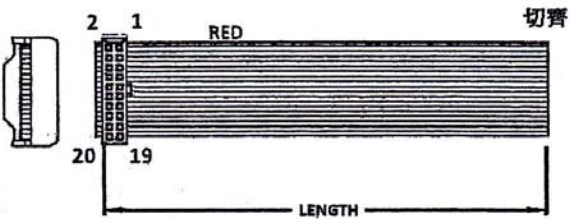
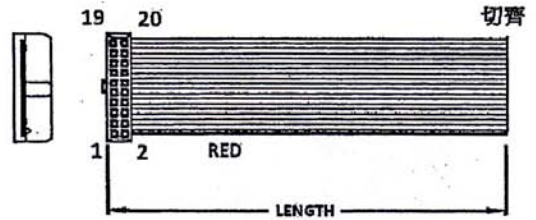
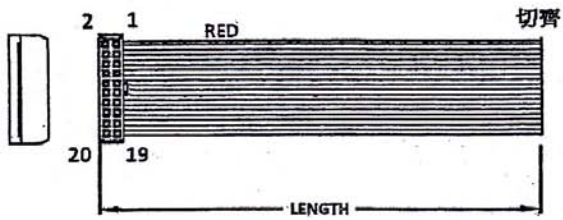


ORDERING INFORMATION:

P/N $\frac{\text{KB}}{1}$ $\frac{\text{xx}}{2}$ $\frac{\text{VO}}{3}$ - $\frac{\text{xx}}{4}$ **CM** $\frac{\text{B}}{5}$

1. FLAT CABLE TYPE:
"KB" 1.00MM AWG28 UL2651 VW-1
PVC INSULATION GRAY
2. NO. OF CONTACTS:
06~68
3. CONNECTORS AT TWO ENDS:
"VO" 2.00MM IDC SOCKET W/O S.R. W/O NOSE
TO OPEN END
4. LENGTH IN CM (CENTIMETERS)
5. COLOR OF IDC CONNECTOR:
"B" BLACK

1.00MM PITCH FLAT CABLE WITH 2.00MM IDC SOCKET WITH INTENSIVE CONTACTS (H=5.1MM & 7.8MM) TO OPEN END



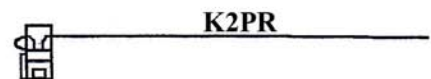
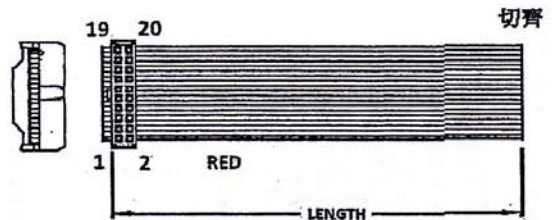
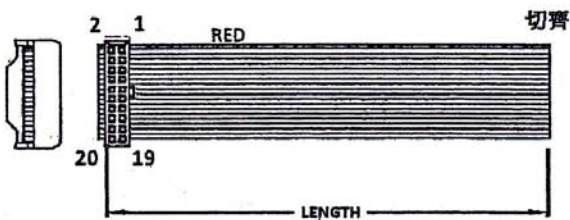
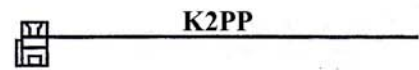
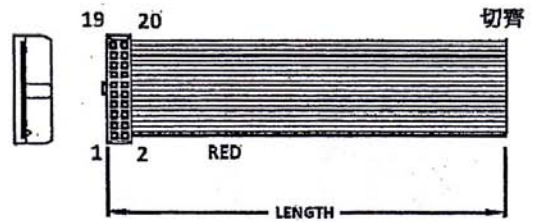
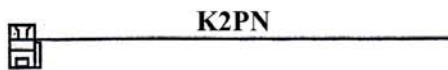
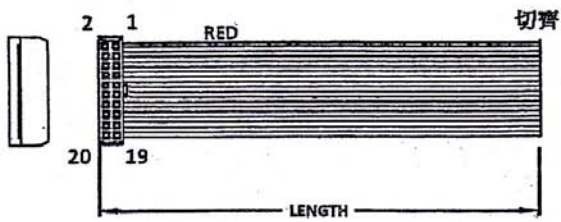
ORDERING INFORMATION:

P/N K 1 2 3 4

1. CONSTRUCTION TYPE:
IDC SOCKET W/O S.R. : 2NW, 2NX (H=5.1MM)
IDC SOCKET WITH S.R. : 2NY, 2NZ (H=7.8MM)
2. NO. OF CONTACTS:
006~050
3. LENGTH IN CM (CENTIMETERS)
4. COLOR OF IDC CONNECTOR:
"B" BLACK

NOTE: IDC SOCKET CAN'T BE SUPPLIED ALONE.

1.00MM PITCH FLAT CABLE WITH 2.00MM IDC SOCKET WITH HOOKY TERMINATIONS (H=8.5MM & 11.4MM) TO OPEN END



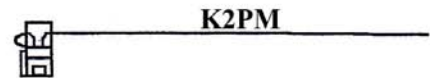
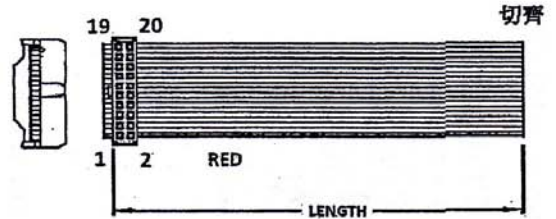
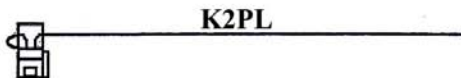
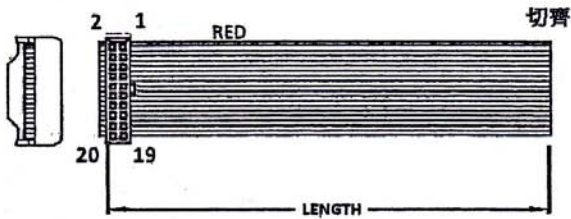
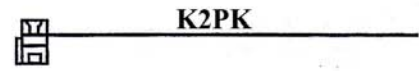
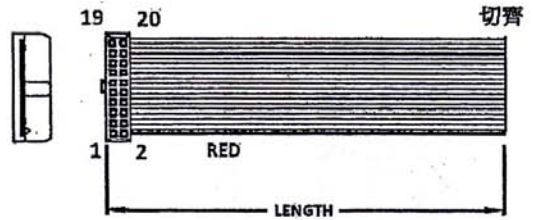
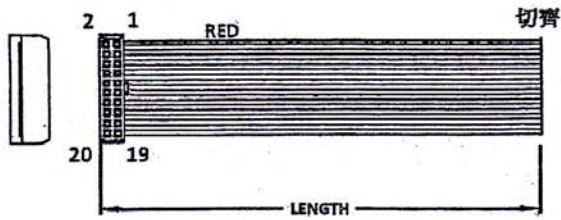
ORDERING INFORMATION:

P/N K $\frac{x}{1} \frac{x}{2} \frac{x}{3} \frac{x}{4}$ - $\frac{x}{3} \frac{x}{4}$ C M B

1. CONSTRUCTION TYPE:
IDC SOCKET W/O S.R. : 2PN, 2PP (H=8.5MM)
IDC SOCKET WITH S.R. : 2PQ, 2PR (H=11.4MM)
2. NO. OF CONTACTS:
006~068
3. LENGTH IN CM (CENTIMETERS)
4. COLOR OF IDC CONNECTOR:
"B" BLACK

NOTE: IDC SOCKET CAN'T BE SUPPLIED ALONE.

1.00MM PITCH FLAT CABLE WITH 2.00MM SHRUNK IDC SOCKET (H=8.5MM & 12.6MM) TO OPEN END



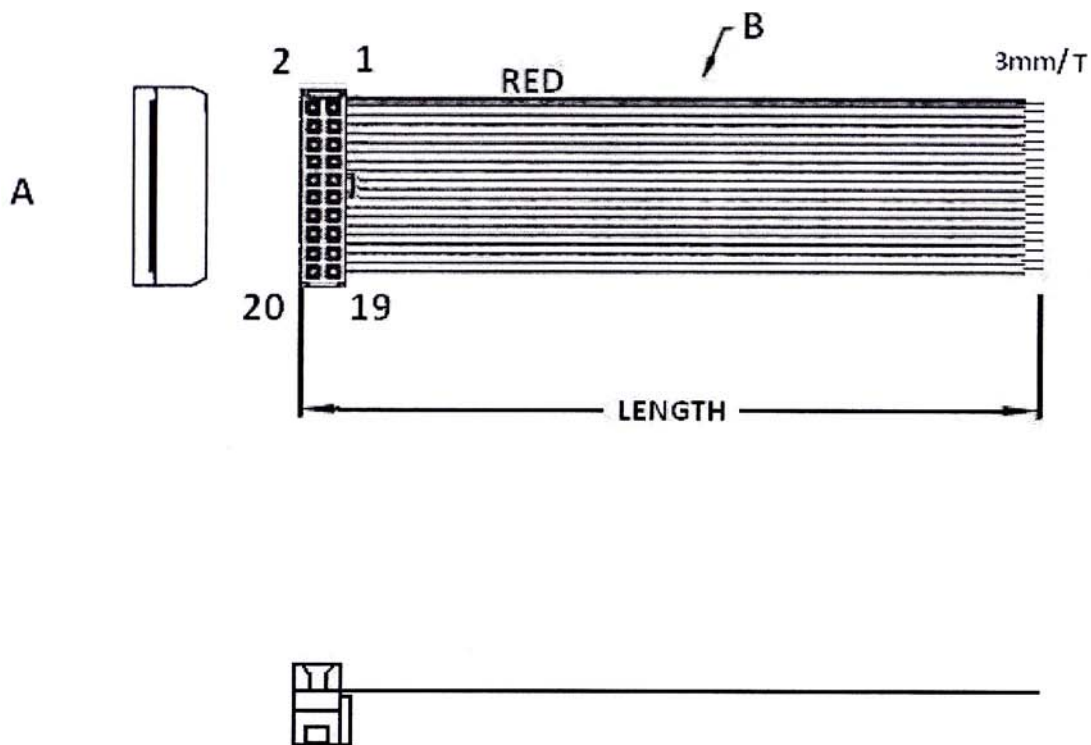
ORDERING INFORMATION:

P/N K $\frac{x}{1} \frac{x}{2} \frac{x}{3} \frac{x}{4}$ - $\frac{x}{3} \frac{x}{4}$ C M B

1. CONSTRUCTION TYPE:
IDC SOCKET W/O S.R. : 2PJ, 2PK (H=8.5MM)
IDC SOCKET WITH S.R. : 2PL, 2PM (H=12.6MM)
2. NO. OF CONTACTS:
008~050
3. LENGTH IN CM (CENTIMETERS)
4. COLOR OF IDC CONNECTOR:
"B" BLACK

NOTE: IDC SOCKET CAN'T BE SUPPLIED ALONE.

**1.00MM PITCH FLAT CABLE WITH
2.00MM PITCH IDC SOCKET WITHOUT STRAIN RELIEF (H=9.0MM) TO TINNED END (1)**

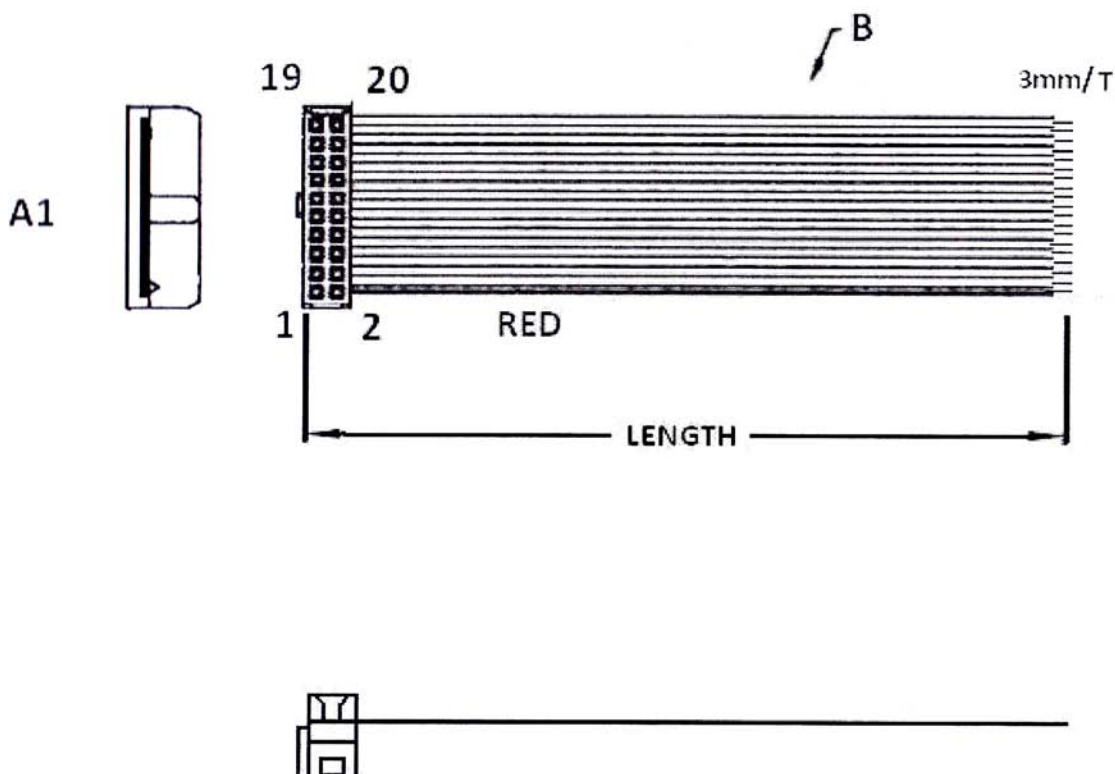


ORDERING INFORMATION:

P/N $\frac{\text{KB}}{1}$ $\frac{\text{xx}}{2}$ $\frac{\text{KT}}{3}$ - $\frac{\text{xx}}{4}$ **CM** $\frac{\text{B}}{5}$

1. FLAT CABLE TYPE:
"KB" 1.00MM AWG28 UL2651 VW-1
PVC INSULATION GRAY
2. NO. OF CONTACTS:
06~68
3. CONNECTORS AT TWO ENDS:
"KT" 2.00MM IDC SOCKET W/O S.R. & WITH NOSE
TO 3MM TIN PLATED END
4. LENGTH IN CM (CENTIMETERS)
5. COLOR OF IDC CONNECTOR:
"B" BLACK

**1.00MM PITCH FLAT CABLE WITH
2.00MM PITCH IDC SOCKET WITHOUT STRAIN RELIEF (H=9.0MM) TO TINNED END (2)**

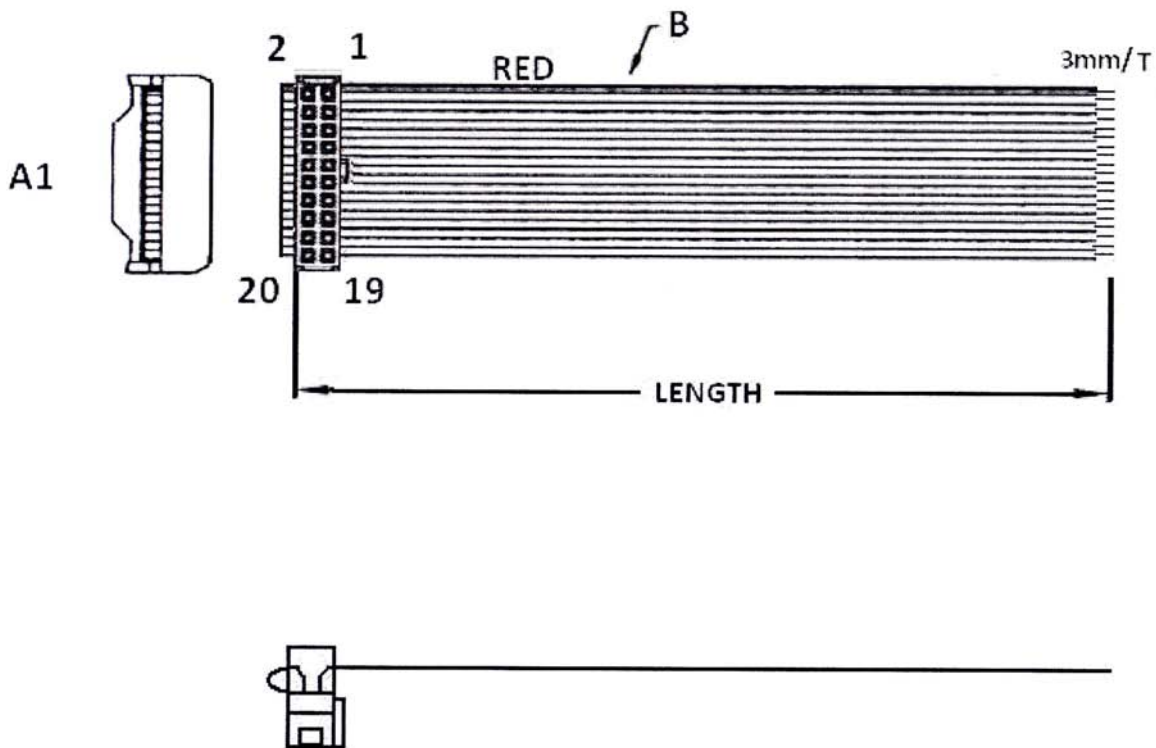


ORDERING INFORMATION:

P/N $\frac{\text{KB}}{1}$ $\frac{\text{xx}}{2}$ $\frac{\text{LT}}{3}$ - $\frac{\text{xx}}{4}$ **CM** $\frac{\text{B}}{5}$

1. FLAT CABLE TYPE:
"KB" 1.00MM AWG28 UL2651 VW-1
PVC INSULATION GRAY
2. NO. OF CONTACTS:
06~68
3. CONNECTORS AT TWO ENDS:
"LT" 2.00MM IDC SOCKET W/O S.R. & WITH NOSE
TO 3MM TIN PLATED END
4. LENGTH IN CM (CENTIMETERS)
5. COLOR OF IDC CONNECTOR:
"B" BLACK

**1.00MM PITCH FLAT CABLE WITH
2.00MM PITCH IDC SOCKET WITH STRAIN RELIEF (H=13.0MM) TO TINNED END (1)**

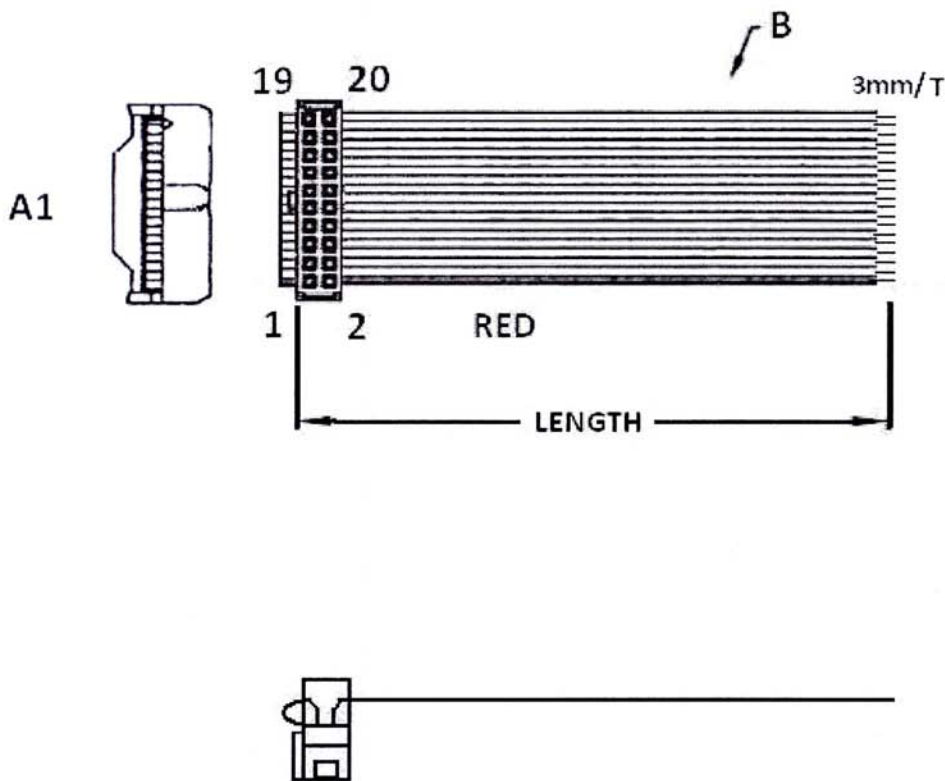


ORDERING INFORMATION:

P/N $\frac{KB}{1}$ $\frac{xx}{2}$ $\frac{MT}{3}$ - $\frac{xx}{4}$ $\frac{CMB}{5}$

1. FLAT CABLE TYPE:
"KB" 1.00MM AWG28 UL2651 VW-1
PVC INSULATION GRAY
2. NO. OF CONTACTS:
06~68
3. CONNECTORS AT TWO ENDS:
"MT" 2.00MM IDC SOCKET WITH S.R. & NOSE
TO 3MM TIN PLATED END
4. LENGTH IN CM (CENTIMETERS)
5. COLOR OF IDC CONNECTOR:
"B" BLACK

**1.00MM PITCH FLAT CABLE WITH
2.00MM PITCH IDC SOCKET WITH STRAIN RELIEF (H=13.0MM) TO TINNED END (2)**

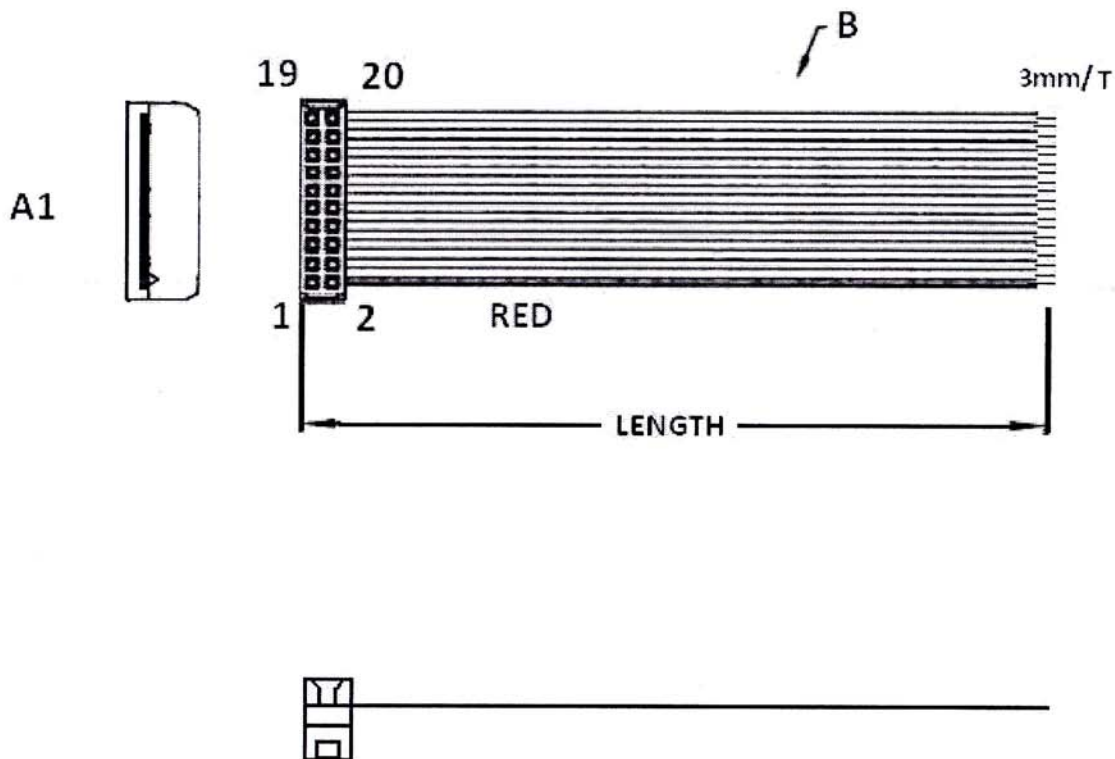


ORDERING INFORMATION:

P/N **K****B****xx****NT** - **xx****C****M****B**

1. FLAT CABLE TYPE:
"KB" 1.00MM AWG28 UL2651 VW-1
PVC INSULATION GRAY
2. NO. OF CONTACTS:
06~68
3. CONNECTORS AT TWO ENDS:
"NT" 2.00MM IDC SOCKET WITH S.R. & NOSE
TO 3MM TIN PLATED END
4. LENGTH IN CM (CENTIMETERS)
5. COLOR OF IDC CONNECTOR:
"B" BLACK

**1.00MM PITCH FLAT CABLE WITH
2.00MM PITCH IDC SOCKET WITHOUT NOSE (H=9.0MM) TO TINNED END (1)**

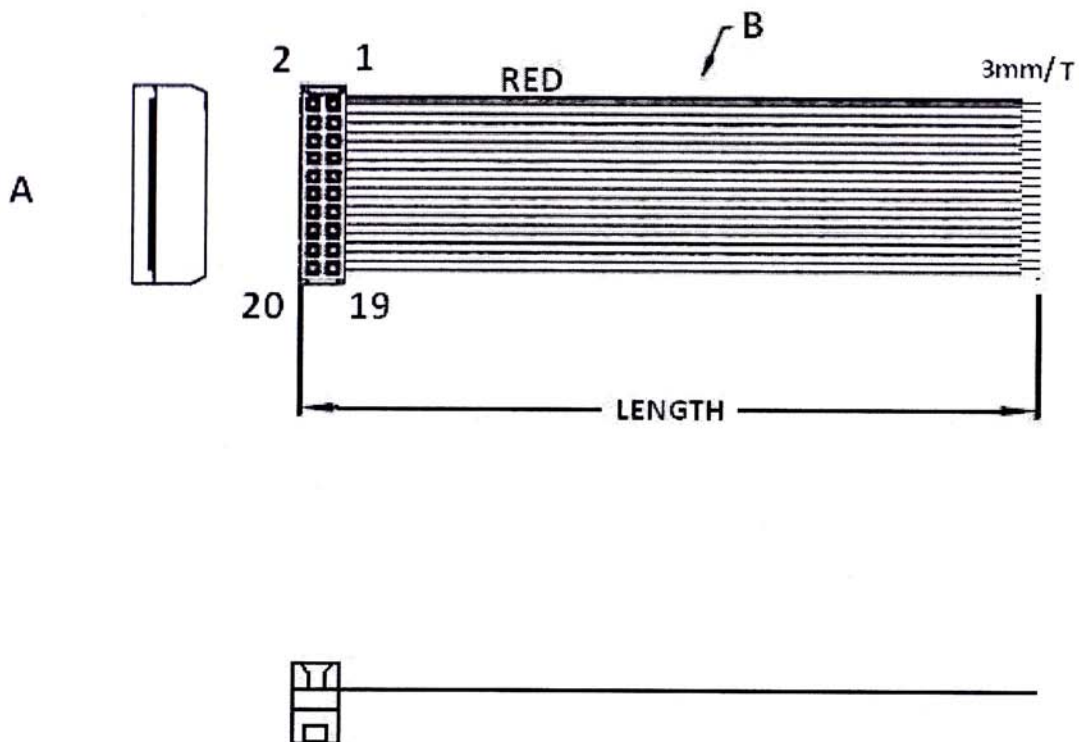


ORDERING INFORMATION:

P/N **K****B****xx****A****T**-**xx****C****M****B**
1 2 3 4 5

1. FLAT CABLE TYPE:
"KB" 1.00MM AWG28 UL2651 VW-1
PVC INSULATION GRAY
2. NO. OF CONTACTS:
06~68
3. CONNECTORS AT TWO ENDS:
"AT" 2.00MM IDC SOCKET W/O NOSE W/O S.R.
TO 3MM TIN PLATED END
4. LENGTH IN CM (CENTIMETERS)
5. COLOR OF IDC CONNECTOR:
"B" BLACK

**1.00MM PITCH FLAT CABLE WITH
2.00MM PITCH IDC SOCKET WITHOUT NOSE (H=9.0MM) TO TINNED END (2)**



ORDERING INFORMATION:

P/N $\frac{\text{KB}}{1}$ $\frac{\text{xx}}{2}$ $\frac{\text{VT}}{3}$ - $\frac{\text{xx}}{4}$ **CM** $\frac{\text{B}}{5}$

1. FLAT CABLE TYPE:
"KB" 1.00MM AWG28 UL2651 VW-1
PVC INSULATION GRAY
2. NO. OF CONTACTS:
06~68
3. CONNECTORS AT TWO ENDS:
"VT" 2.00MM IDC SOCKET W/O NOSE W/O S.R.
TO 3MM TIN PLATED END
4. LENGTH IN CM (CENTIMETERS)
5. COLOR OF IDC CONNECTOR:
"B" BLACK