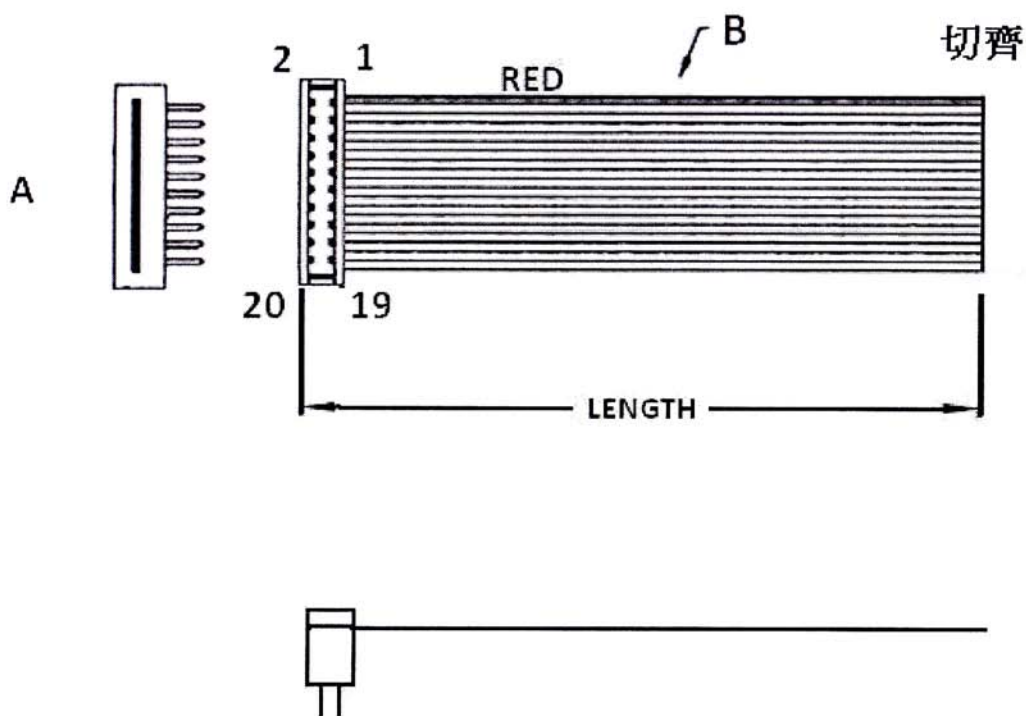


**1.00MM PITCH FLAT CABLE WITH
2.00MM PITCH DIP PLUG (H=5.2MM) TO OPEN END (1)**

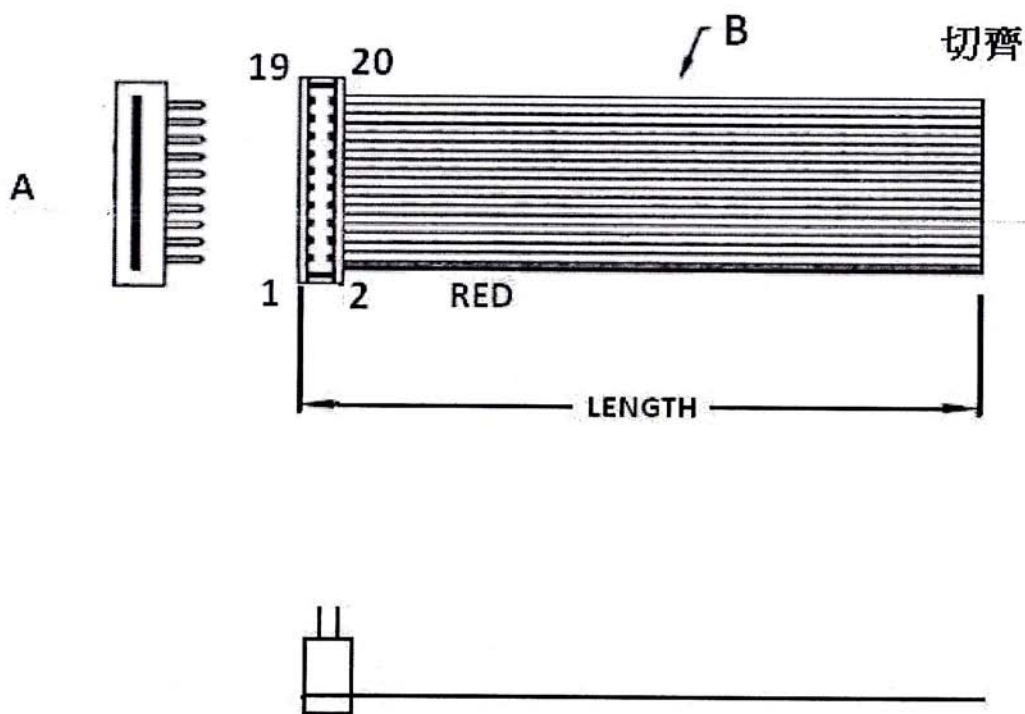


ORDERING INFORMATION:

P/N $\frac{\text{KB}}{1}$ $\frac{\text{xx}}{2}$ $\frac{\text{DO}}{3}$ - $\frac{\text{xx}}{4}$ **CM** $\frac{\text{B}}{5}$

1. FLAT CABLE TYPE:
"KB" 1.00MM AWG28 UL2651 VW-1
PVC INSULATION GRAY
2. NO. OF CONTACTS:
06~68
3. CONNECTORS AT TWO ENDS:
"DO" 2.00MM DIP PLUG
TO OPEN END
4. LENGTH IN CM (CENTIMETERS)
5. COLOR OF IDC CONNECTOR:
"B" BLACK

**1.00MM PITCH FLAT CABLE WITH
2.00MM PITCH DIP PLUG (H=5.2MM) TO OPEN END (2)**

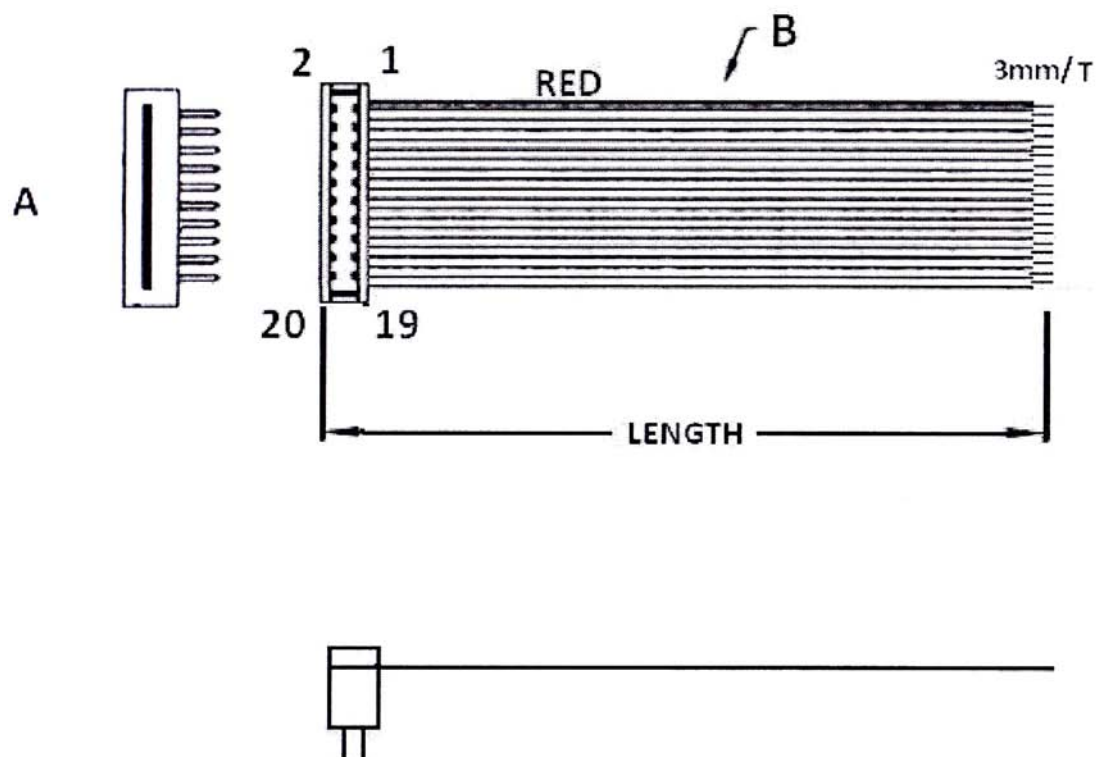


ORDERING INFORMATION:

P/N $\frac{\text{KB}}{1}$ $\frac{\text{xx}}{2}$ $\frac{\text{PO}}{3}$ - $\frac{\text{xx}}{4}$ **CM** $\frac{\text{B}}{5}$

1. FLAT CABLE TYPE:
"KB" 1.00MM AWG28 UL2651 VW-1
PVC INSULATION GRAY
2. NO. OF CONTACTS:
06~68
3. CONNECTORS AT TWO ENDS:
"PO" 2.00MM DIP PLUG
TO OPEN END
4. LENGTH IN CM (CENTIMETERS)
5. COLOR OF IDC CONNECTOR:
"B" BLACK

**1.00MM PITCH FLAT CABLE WITH
2.00MM PITCH DIP PLUG (H=5.2MM) TO TINNED END (1)**

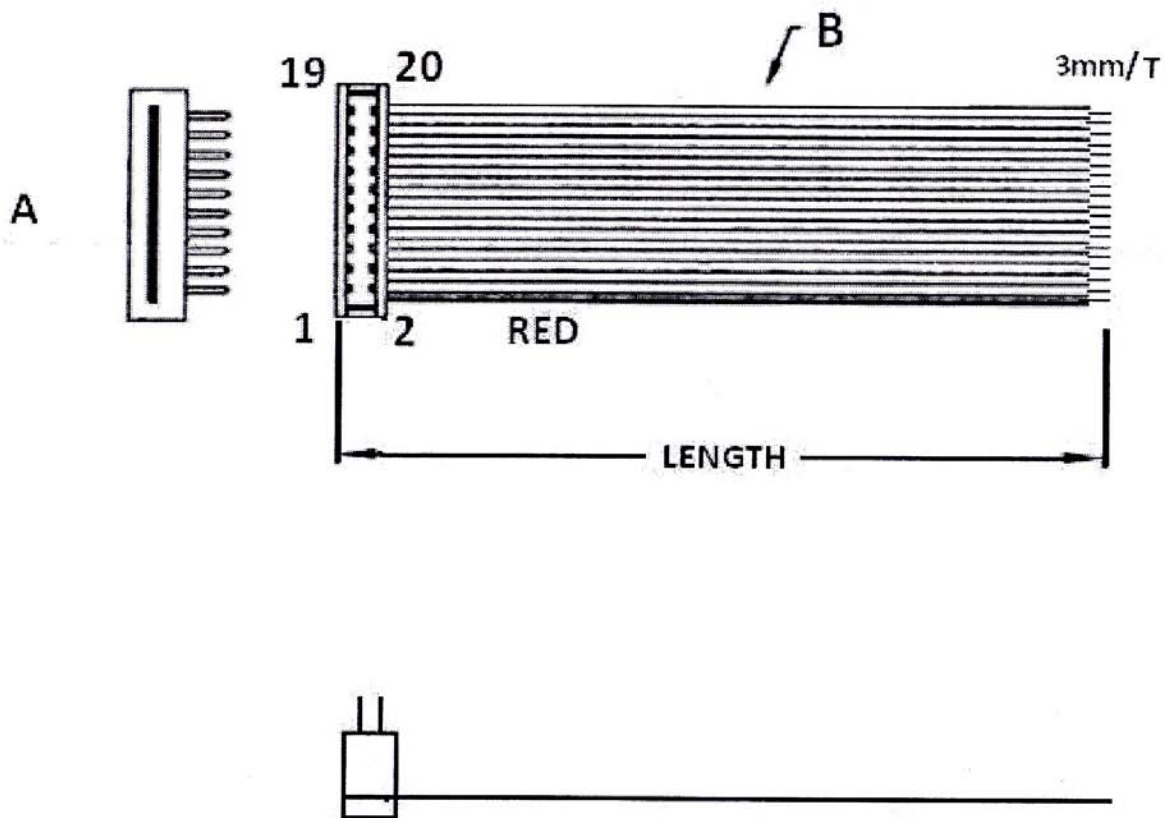


ORDERING INFORMATION:

P/N **K****B****xx****D****T** - **xx****C****M****B**
1 **2** **3** **4** **5**

1. FLAT CABLE TYPE:
"KB" 1.00MM AWG28 UL2651 VW-1
PVC INSULATION GRAY
2. NO. OF CONTACTS:
06~68
3. CONNECTORS AT TWO ENDS:
"DT" 2.00MM DIP PLUG
TO 3MM TIN PLATED END
4. LENGTH IN CM (CENTIMETERS)
5. COLOR OF IDC CONNECTOR:
"B" BLACK

**1.00MM PITCH FLAT CABLE WITH
2.00MM PITCH DIP PLUG (H=5.2MM) TO TINNED END (2)**



ORDERING INFORMATION:

P/N $\frac{\text{KB}}{1}$ $\frac{\text{xx}}{2}$ $\frac{\text{PT}}{3}$ - $\frac{\text{xx}}{4}$ **CM** $\frac{\text{B}}{5}$

1. FLAT CABLE TYPE:
"KB" 1.00MM AWG28 UL2651 VW-1
PVC INSULATION GRAY
2. NO. OF CONTACTS:
06~68
3. CONNECTORS AT TWO ENDS:
"PT" 2.00MM DIP PLUG
TO 3MM TIN PLATED END
4. LENGTH IN CM (CENTIMETERS)
5. COLOR OF IDC CONNECTOR:
"B" BLACK