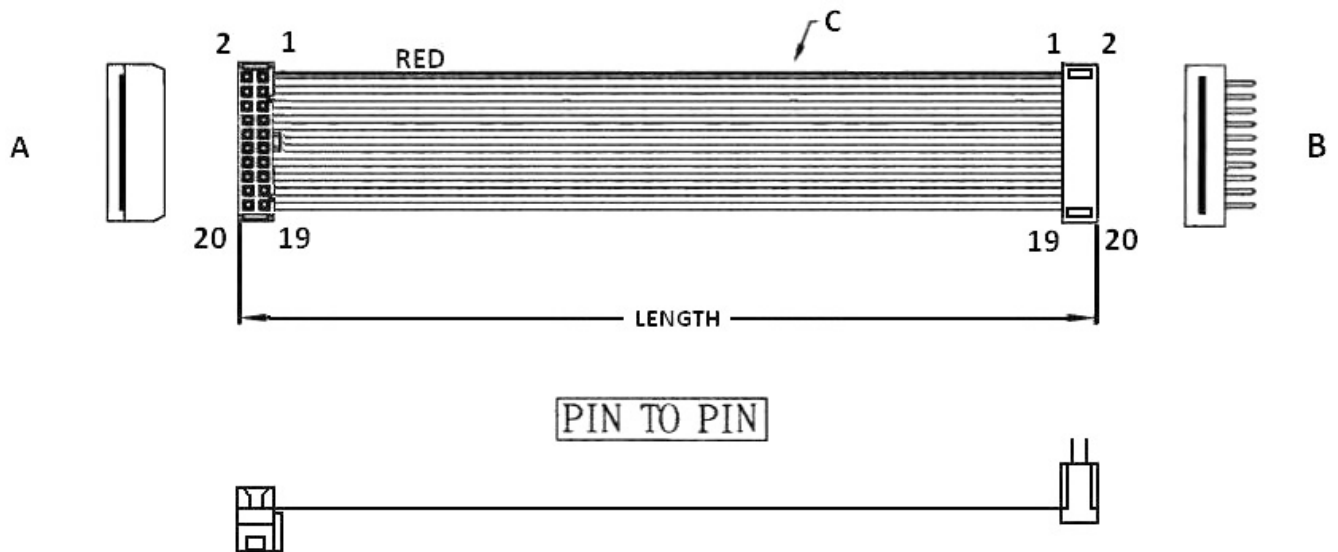


**1.27MM PITCH FLAT CABLE WITH 2.54MM PITCH IDC SOCKET WITHOUT STRAIN RELIEF (H=11.0MM) TO DIP PLUG (H=7.6MM) (E1)**

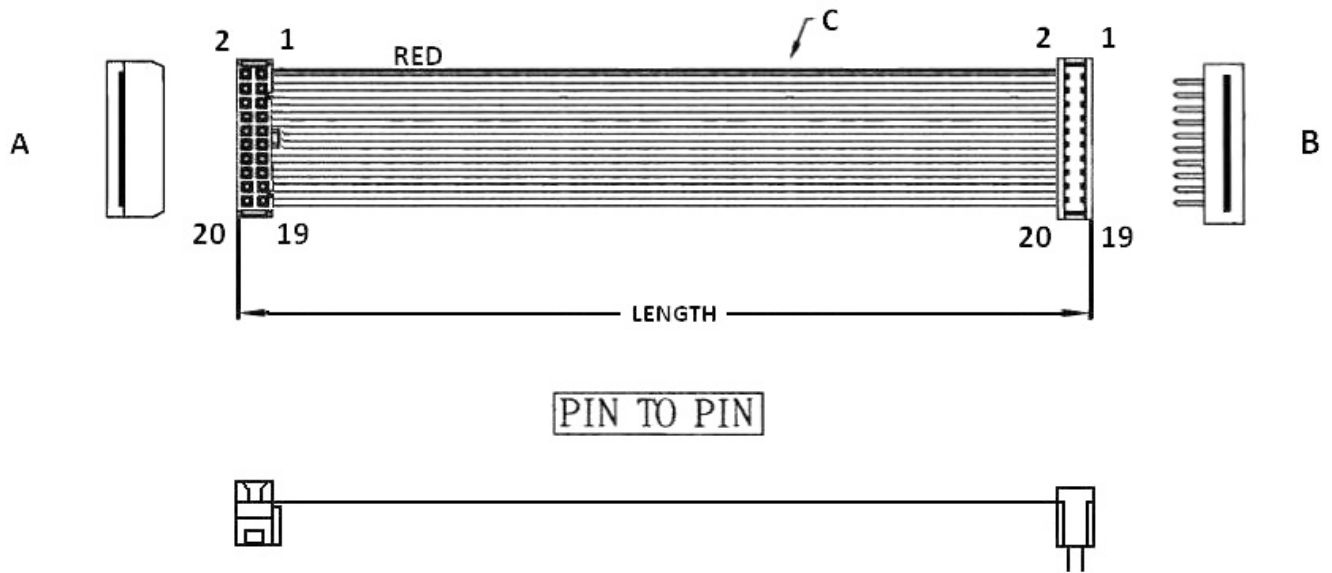


**ORDERING INFORMATION:**

**P/N**  $\frac{KA}{1} \frac{xx}{2} \frac{KD}{3} - \frac{xx}{4} \frac{CM}{5} \frac{x}{5}$

1. FLAT CABLE TYPE:  
"KA" 1.27MM AWG28 UL2651 VW-1  
PVC INSULATION GRAY
2. NO. OF CONTACTS:  
06~64
3. CONNECTORS AT TWO ENDS:  
"KD" 2.54MM IDC SOCKET WITH NOSE WITHOUT S.R. TO  
2.54MM DIP PLUG
4. LENGTH IN CM (CENTIMETERS)
5. COLOR OF TWO IDC CONNECTORS:  
"B" BLACK  
"A" GRAY

**1.27MM PITCH FLAT CABLE WITH 2.54MM PITCH IDC SOCKET WITHOUT STRAIN RELIEF (H=11.0MM) TO DIP PLUG (H=7.6MM) (E2)**

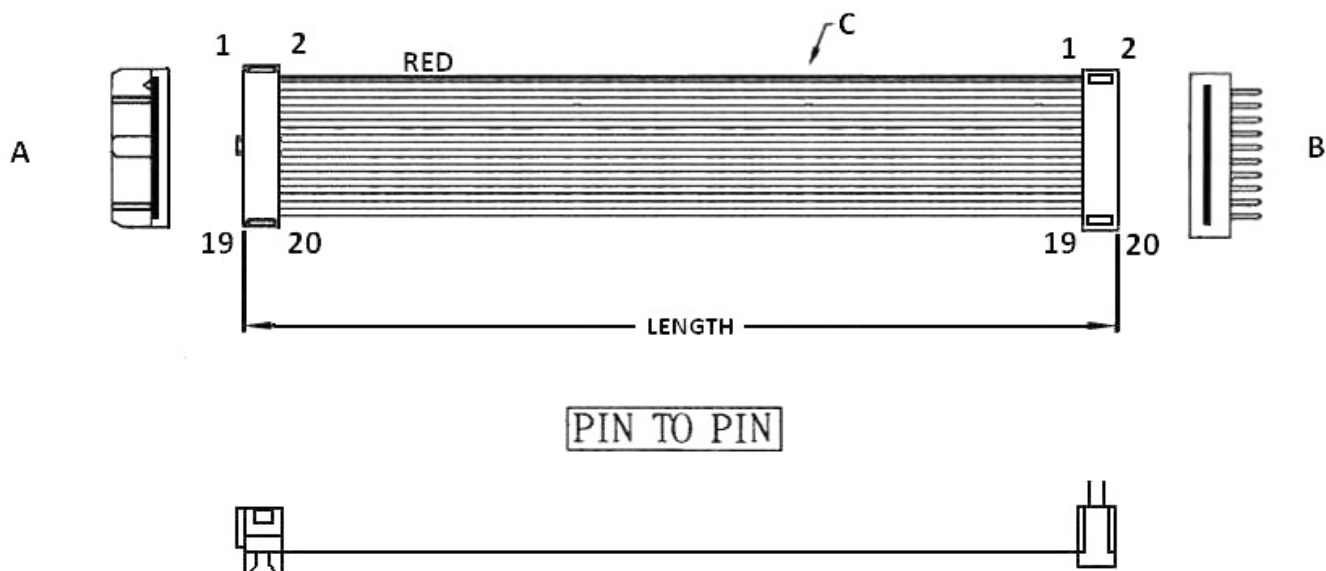


**ORDERING INFORMATION:**

**P/N**  $\frac{KA}{1} \frac{xx}{2} \frac{KP}{3} - \frac{xx}{4} \frac{CM}{5} x$

1. FLAT CABLE TYPE:  
"KA" 1.27MM AWG28 UL2651 VW-1  
PVC INSULATION GRAY
2. NO. OF CONTACTS:  
06~64
3. CONNECTORS AT TWO ENDS:  
"KP" 2.54MM IDC SOCKET WITH NOSE WITHOUT S.R. TO  
2.54MM DIP PLUG
4. LENGTH IN CM (CENTIMETERS)
5. COLOR OF TWO IDC CONNECTORS:  
"B" BLACK  
"A" GRAY

**1.27MM PITCH FLAT CABLE WITH 2.54MM PITCH IDC SOCKET WITHOUT STRAIN RELIEF (H=11.0MM) TO DIP PLUG (H=7.6MM) (E3)**

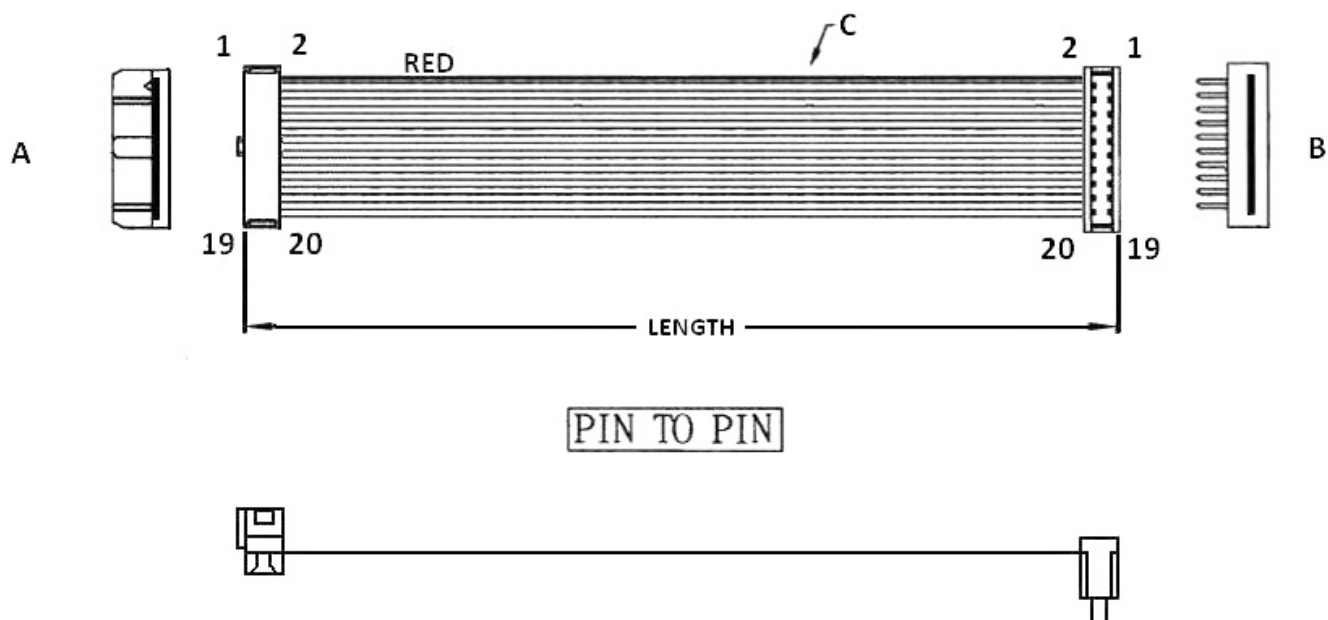


**ORDERING INFORMATION:**

**P/N**  $\frac{\text{KA}}{1} \frac{\text{xx}}{2} \frac{\text{LD}}{3} - \frac{\text{xx}}{4} \text{CM} \frac{\text{x}}{5}$

1. FLAT CABLE TYPE:  
"KA" 1.27MM AWG28 UL2651 VW-1  
PVC INSULATION GRAY
2. NO. OF CONTACTS:  
06~64
3. CONNECTORS AT TWO ENDS:  
"LD" 2.54MM IDC SOCKET WITH NOSE WITHOUT S.R. TO  
2.54MM DIP PLUG
4. LENGTH IN CM (CENTIMETERS)
5. COLOR OF TWO IDC CONNECTORS:  
"B" BLACK  
"A" GRAY

**1.27MM PITCH FLAT CABLE WITH 2.54MM PITCH IDC SOCKET WITHOUT STRAIN RELIEF (H=11.0MM) TO DIP PLUG (H=7.6MM) (E4)**

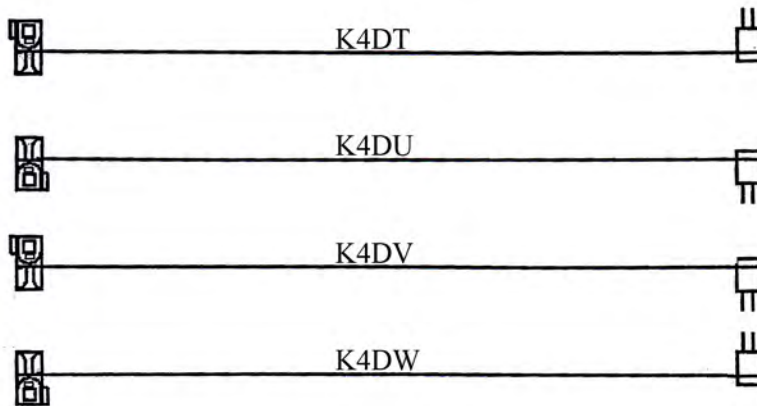


**ORDERING INFORMATION:**

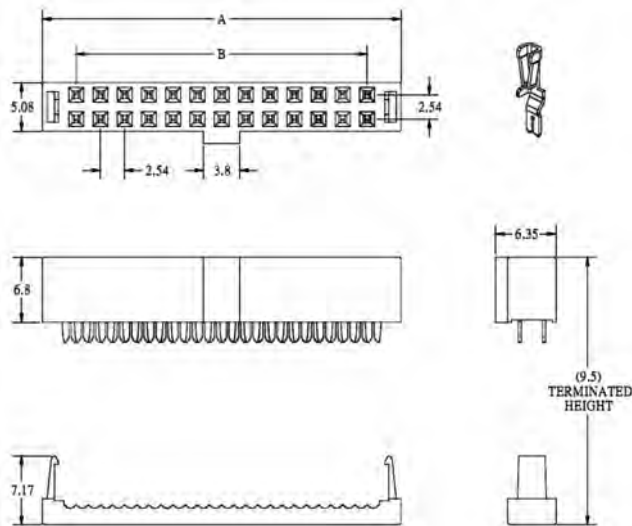
**P/N**  $\frac{KA}{1} \frac{xx}{2} \frac{LP}{3} - \frac{xx}{4} \frac{CM}{5} \frac{x}{5}$

1. FLAT CABLE TYPE:  
"KA" 1.27MM AWG28 UL2651 VW-1  
PVC INSULATION GRAY
2. NO. OF CONTACTS:  
06~64
3. CONNECTORS AT TWO ENDS:  
"LP" 2.54MM IDC SOCKET WITH NOSE WITHOUT S.R. TO  
2.54MM DIP PLUG
4. LENGTH IN CM (CENTIMETERS)
5. COLOR OF TWO IDC CONNECTORS:  
"B" BLACK  
"A" GRAY

**1.27MM PITCH FLAT CABLE  
WITH 2.54MM IDC SOCKET (H=9.5MM) TO DIP PLUG (H=5.4MM) (E5)**



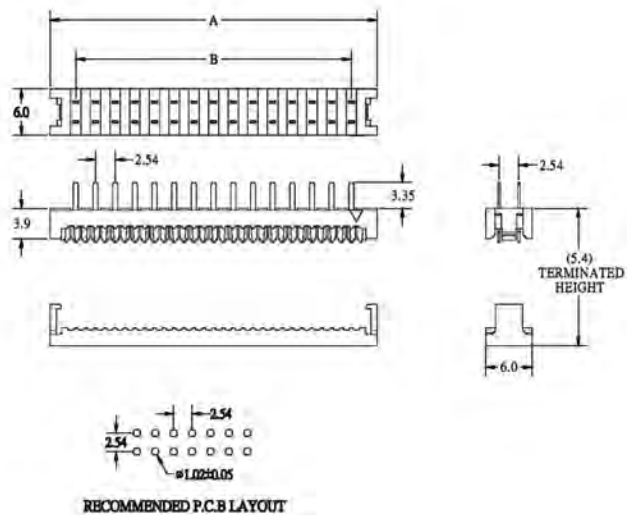
**2.54MM LOW PROFILE IDC SOCKET  
H=9.5MM**



$A=B+7.11$   
 $B=2.54*POSITIONS/2-2.54$

NO. OF CONTACTS:  
006, 008, 010, 012, 014,  
016, 020, 024, 026, 030,  
034, 040, 050, 060, 064

**2.54MM SUPER LOW PROFILE DIP PLUG  
H=5.4MM**



$A=B+6.64$   
 $B=2.54*POSITIONS/2-2.54$

NO. OF CONTACTS:  
006, 008, 010, 012, 014,  
016, 020, 024, 026, 030,  
032, 034, 040, 050, 060,  
064

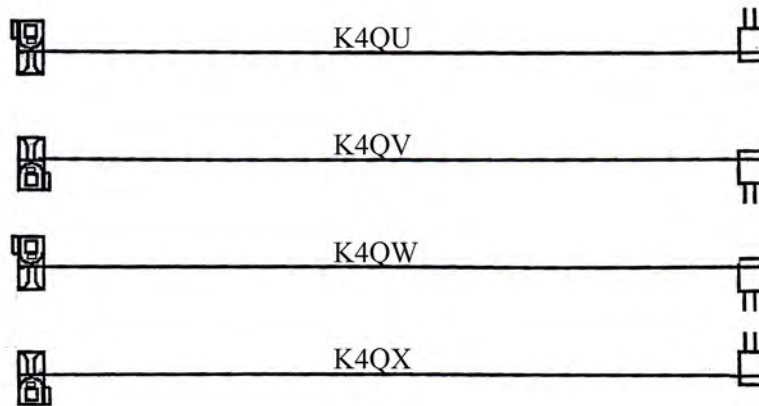
**ORDERING INFORMATION:**

**P/N** K 1 2 3 4 **C M B**

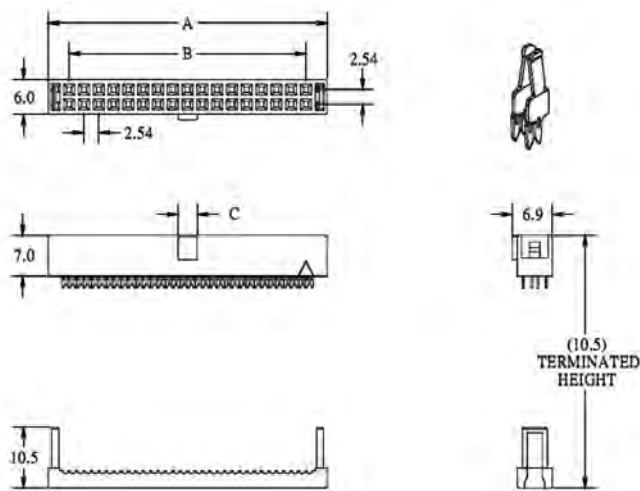
1. CONSTRUCTION TYPE:  
4DT, 4DU, 4DV, 4DW
2. NO. OF CONTACTS:  
006~064
3. LENGTH IN CM (CENTIMETERS)
4. COLOR OF TWO IDC CONNECTORS:  
"B" BLACK

NOTE: IDC SOCKET & DIP PLUG CAN'T BE SUPPLIED ALONE.

**1.27MM PITCH FLAT CABLE  
WITH 2.54MM IDC SOCKET W/O S.R. (H=10.5MM) TO DIP PLUG (H=5.4MM) (E6)**



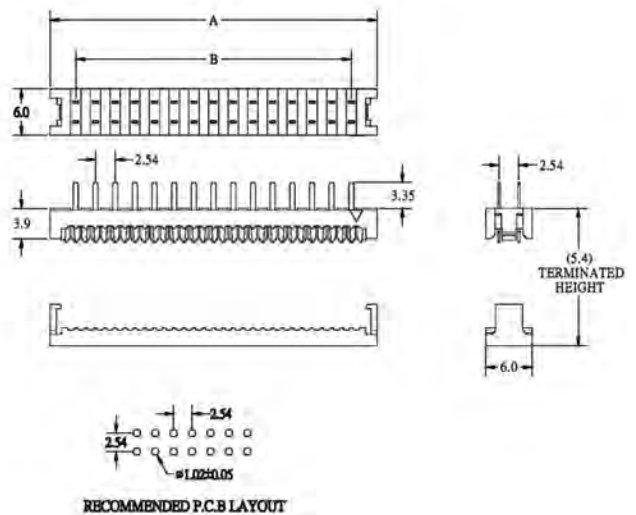
**2.54MM IDC SOCKET WITH DUAL U-SLOT & DUAL CONTACT**



A=B+7.24  
 B=2.54\*POSITIONS/2-2.54  
 C=1.85 FOR 6 & 8 POSITIONS  
 C=3.50 FOR 10~64 POSITIONS

NO. OF CONTACTS:  
 006, 008, 010, 012, 014,  
 016, 020, 024, 026, 030,  
 034, 040, 050, 060, 064

**2.54MM LOW PROFILE DIP PLUG**



A=B+6.64  
 B=2.54\*POSITIONS/2-2.54

NO. OF CONTACTS:  
 006, 008, 010, 012, 014,  
 016, 020, 024, 026, 030,  
 032, 034, 040, 050, 060,  
 064

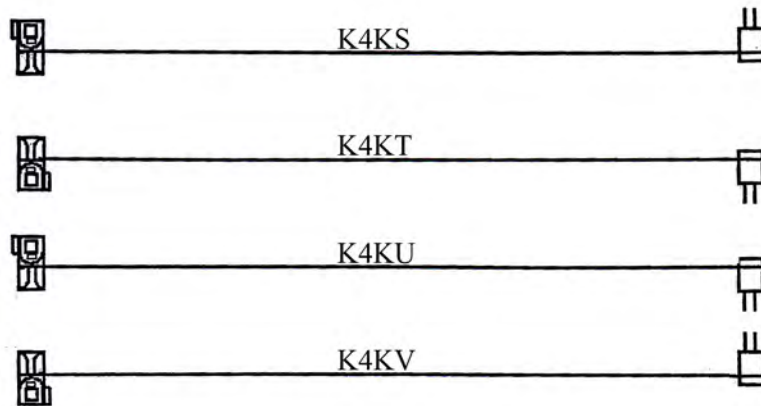
**ORDERING INFORMATION:**

**P/N K 1 2 3 4 C M B**

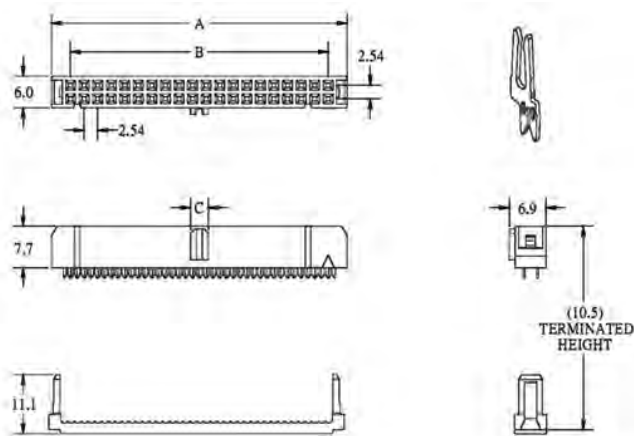
1. CONSTRUCTION TYPE:  
4QU, 4QV, 4QW, 4QX
2. NO. OF CONTACTS:  
006~064
3. LENGTH IN CM (CENTIMETERS)
4. COLOR OF TWO IDC CONNECTORS:  
"B" BLACK

NOTE: IDC SOCKET & DIP PLUG CAN'T BE SUPPLIED ALONE.

# 1.27MM PITCH FLAT CABLE WITH 2.54MM IDC SOCKET (H=10.5MM) TO DIP PLUG (H=5.4MM) (E7)



## 2.54MM IDC SOCKET WITH DUAL WIPE CONTACT & W/O STRAIN RELIEF



$$A=B+7.12$$

$$B=2.54 \times \text{POSITIONS} / 2.54$$

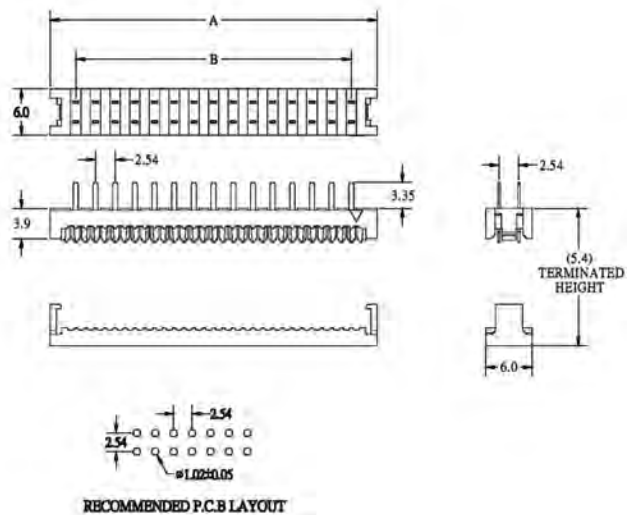
$$C=1.85 \text{ FOR } 6 \text{ \& } 8 \text{ POSITIONS}$$

$$C=3.50 \text{ FOR } 10\text{-}64 \text{ POSITIONS}$$

NO. OF CONTACTS:

006, 008, 010, 012, 014,  
016, 020, 024, 026, 030,  
034, 036, 040, 044, 050,  
060, 064

## 2.54MM SUPER LOW PROFILE DIP PLUG H=5.4MM



$$A=B+6.64$$

$$B=2.54 \times \text{POSITIONS} / 2.54$$

NO. OF CONTACTS:

006, 008, 010, 012, 014,  
016, 020, 024, 026, 030,  
032, 034, 040, 050, 060,  
064

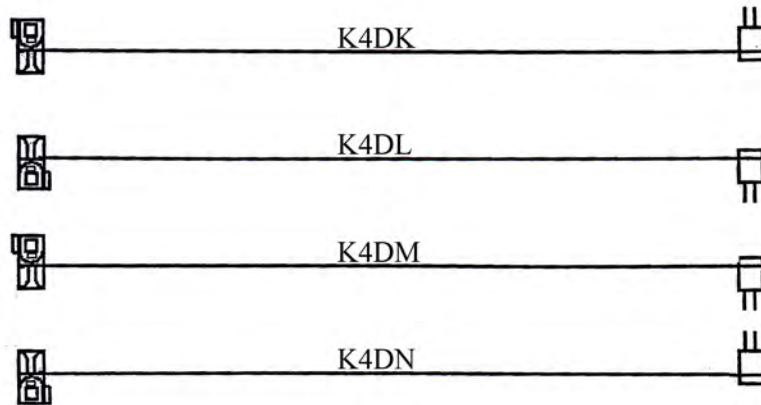
## ORDERING INFORMATION:

P/N  $\frac{K}{1} \frac{x}{2} \frac{x}{3} \frac{x}{4} - \frac{x}{3} \frac{x}{4} C M \frac{x}{4}$

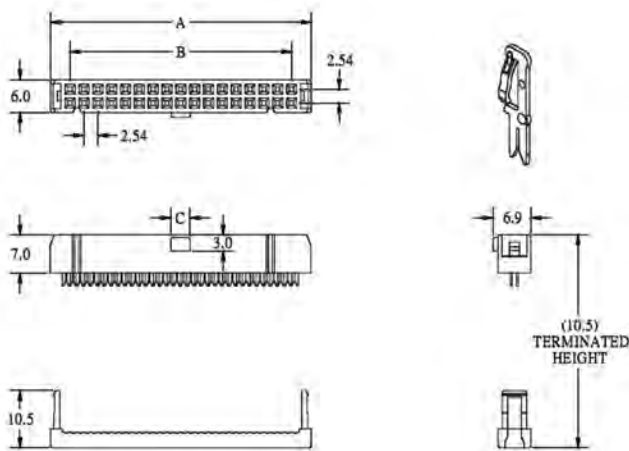
1. CONSTRUCTION TYPE:  
4KS, 4KT, 4KU, 4KV
2. NO. OF CONTACTS:  
006~064
3. LENGTH IN CM (CENTIMETERS)
4. COLOR OF TWO IDC CONNECTORS:  
"B" BLACK  
"A" GRAY

NOTE: IDC SOCKET & DIP PLUG CAN'T BE SUPPLIED ALONE.

# 1.27MM PITCH FLAT CABLE WITH 2.54MM IDC SOCKET (H=10.5MM) TO DIP PLUG (H=5.4MM) (E8)



## 2.54MM IDC SOCKET W/O STRAIN RELIEF



$$A=B+7.24$$

$$B=2.54 \times \text{POSITIONS} / 2 - 2.54$$

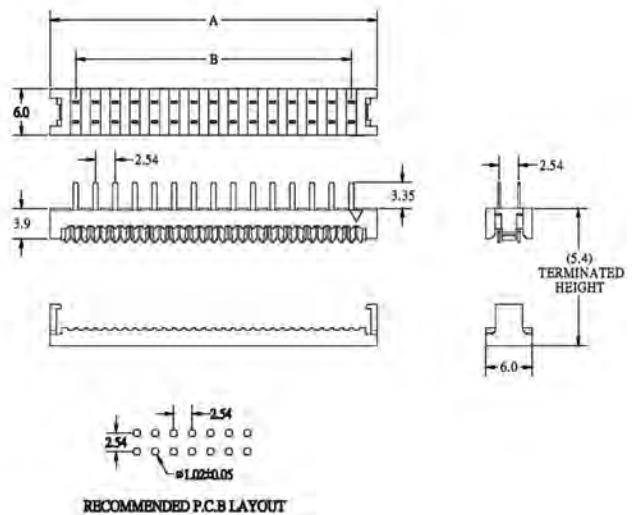
$$C=1.85 \text{ FOR } 4\sim 8 \text{ POSITIONS}$$

$$C=3.50 \text{ FOR } 10\sim 64 \text{ POSITIONS}$$

NO. OF CONTACTS:

004, 006, 008, 010, 012,  
014, 016, 020, 024, 026,  
030, 034, 036, 040, 044,  
050, 056, 060, 062, 064

## 2.54MM SUPER LOW PROFILE DIP PLUG H=5.4MM



$$A=B+6.64$$

$$B=2.54 \times \text{POSITIONS} / 2 - 2.54$$

NO. OF CONTACTS:

006, 008, 010, 012, 014,  
016, 020, 024, 026, 030,  
032, 034, 040, 050, 060,  
064

## ORDERING INFORMATION:

P/N **K** **x x x x x x** **-** **x x** **C M** **x**

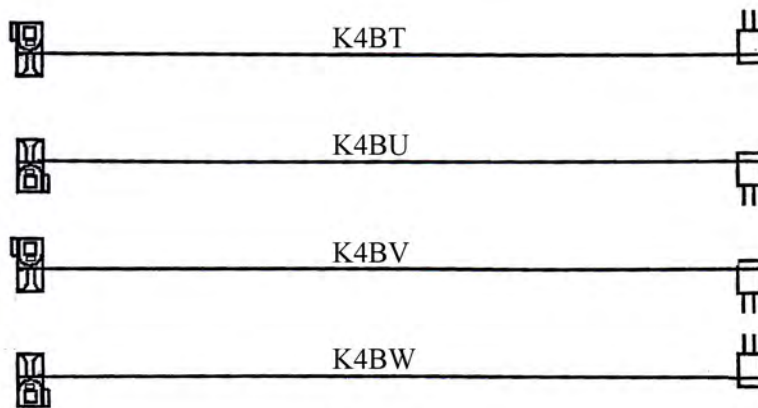
1                      2                      3                      4

1. CONSTRUCTION TYPE:  
4DK, 4DL, 4DM, 4DN
2. NO. OF CONTACTS:  
006~064
3. LENGTH IN CM (CENTIMETERS)
4. COLOR OF TWO IDC CONNECTORS:  
"B" BLACK  
"A" GRAY

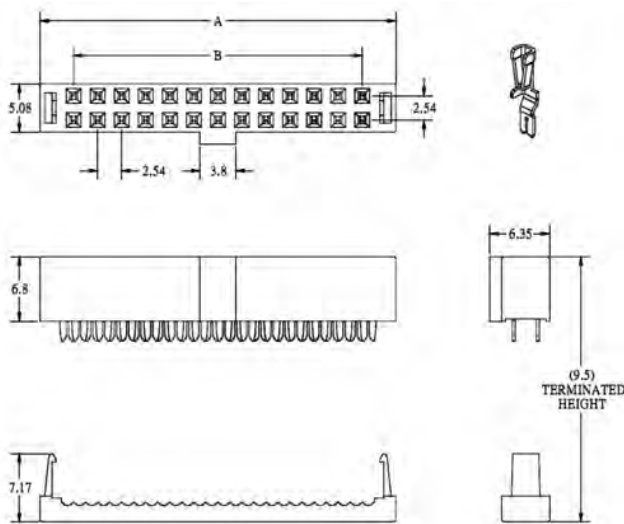
NOTE: IDC SOCKET & DIP PLUG CAN'T BE SUPPLIED ALONE.



**1.27MM PITCH FLAT CABLE  
WITH 2.54MM IDC SOCKET (H=9.5MM) TO DIP PLUG (H=6.0MM) (E9)**



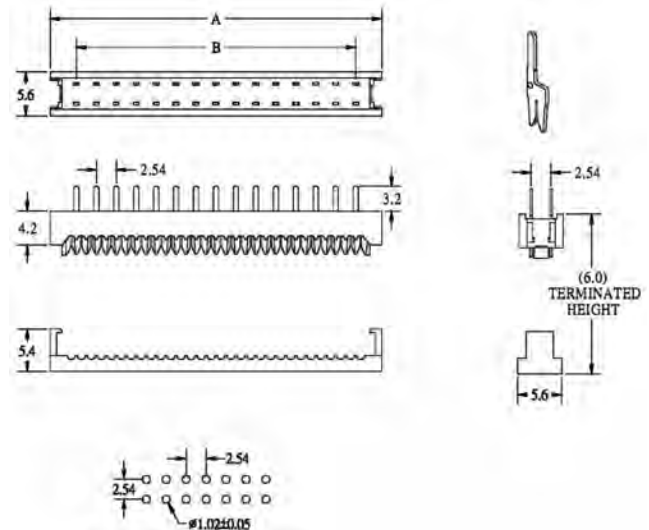
**2.54MM LOW PROFILE IDC SOCKET  
H=9.5MM**



A=B+7.11  
B=2.54\*POSITIONS/2-2.54

NO. OF CONTACTS:  
006, 008, 010, 012, 014,  
016, 020, 024, 026, 030,  
034, 040, 050, 060, 064

**2.54MM PITCH DIP PLUG H=6.0MM**



A=B+6.64  
B=2.54\*POSITIONS/2-2.54

NO. OF CONTACTS:  
006, 008, 010, 012, 014,  
016, 020, 024, 026, 030,  
032, 034, 040, 050, 060,  
064

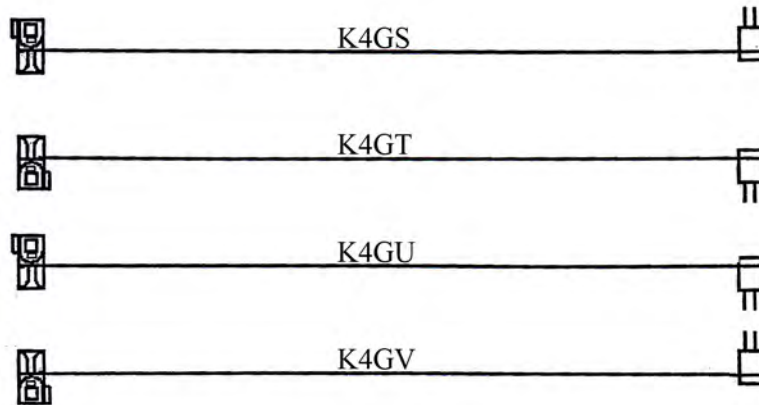
**ORDERING INFORMATION:**

**P/N K 1 2 3 4 C M B**

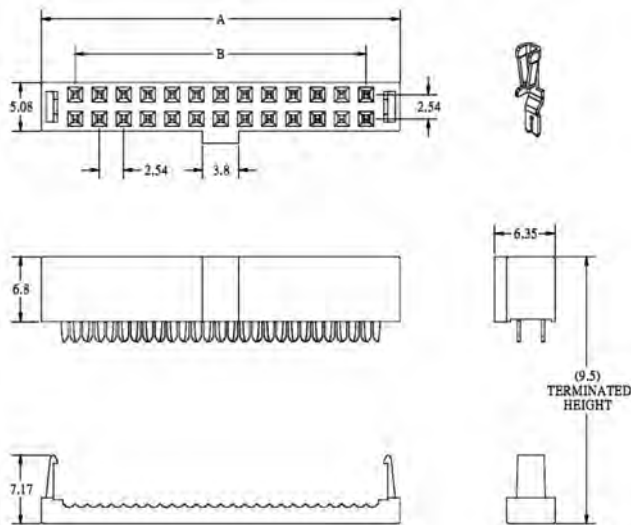
1. CONSTRUCTION TYPE:  
4BT, 4BU, 4BV, 4BW
2. NO. OF CONTACTS:  
006~064
3. LENGTH IN CM (CENTIMETERS)
4. COLOR OF TWO IDC CONNECTORS:  
"B" BLACK

NOTE: IDC SOCKET & DIP PLUG CAN'T BE SUPPLIED ALONE.

**1.27MM PITCH FLAT CABLE  
WITH 2.54MM IDC SOCKET (H=9.5MM) TO DIP PLUG (H=6.0MM) (E10)**



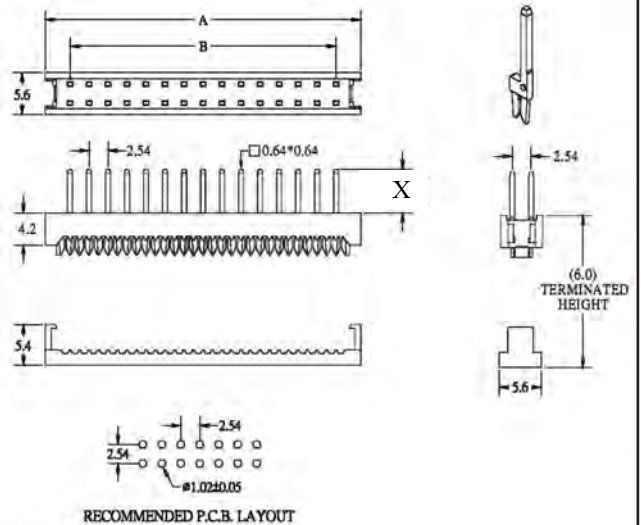
**2.54MM LOW PROFILE IDC SOCKET W/O STRAIN RELIEF**



$A=B+7.11$   
 $B=2.54*POSITIONS/2-2.54$

NO. OF CONTACTS:  
006, 008, 010, 012, 014,  
016, 020, 024, 026, 030,  
034, 040, 050, 060, 064

**2.54MM DIP PLUG WITH 0.64MM SQUARE TAIL H=6.0MM**



$A=B+6.64$   
 $B=2.54*POSITIONS/2-2.54$   
 $X=PIN LENGTH$

NO. OF CONTACTS:  
006, 008, 010, 012, 014,  
016, 020, 024, 026, 030,  
032, 034, 040, 050, 060,  
064

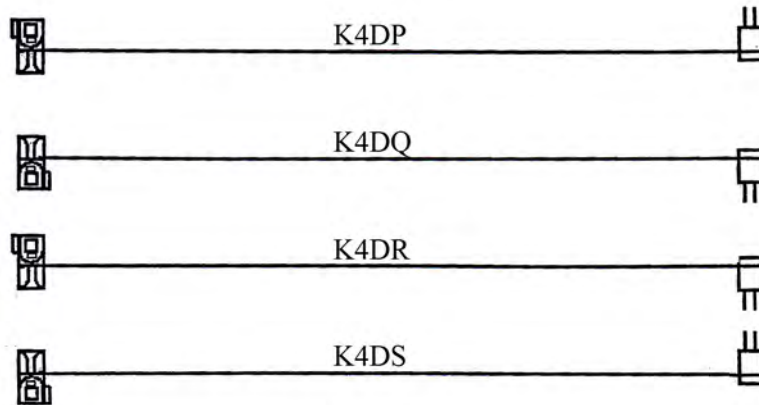
**ORDERING INFORMATION:**

**P/N K 1 2 3 4 5 C M B X**

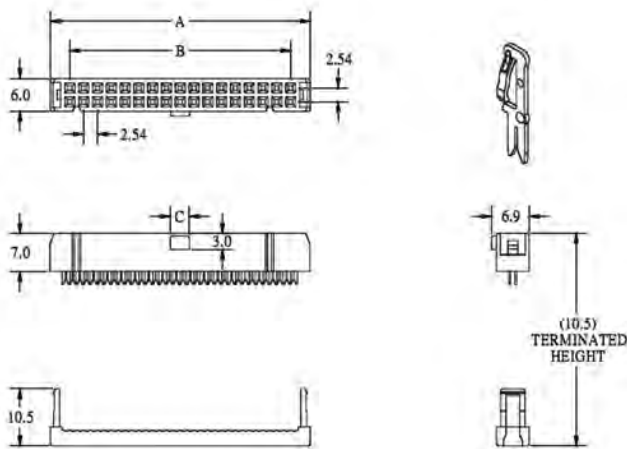
- CONSTRUCTION TYPE:  
4GS, 4GT, 4GU, 4GV
- NO. OF CONTACTS:  
006~064
- LENGTH IN CM (CENTIMETERS)
- COLOR OF TWO IDC CONNECTORS:  
"B" BLACK
- PIN LENGTH OF DIP PLUG:  
"6" X= 5.85MM (STANDARD)  
"T" X= 12.0MM

NOTE: IDC SOCKET & DIP PLUG CAN'T BE SUPPLIED ALONE.

**1.27MM PITCH FLAT CABLE  
WITH 2.54MM IDC SOCKET (H=10.5MM) TO DIP PLUG (H=6.0MM) (E11)**



**2.54MM IDC SOCKET W/O STRAIN RELIEF**



$A=B+7.24$

$B=2.54*POSITIONS/2-2.54$

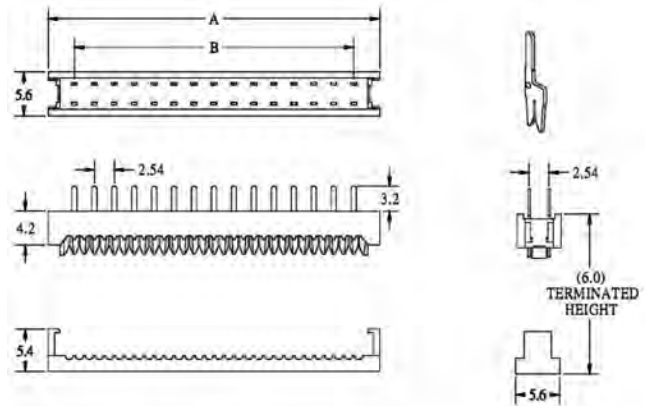
$C=1.85$  FOR 4~8 POSITIONS

$C=3.50$  FOR 10~64 POSITIONS

NO. OF CONTACTS:

004, 006, 008, 010, 012,  
014, 016, 020, 024, 026,  
030, 034, 036, 040, 044,  
050, 056, 060, 062, 064

**2.54MM PITCH DIP PLUG H=6.0MM**



$A=B+6.64$

$B=2.54*POSITIONS/2-2.54$

NO. OF CONTACTS:

006, 008, 010, 012, 014,  
016, 020, 024, 026, 030,  
032, 034, 040, 050, 060,  
064

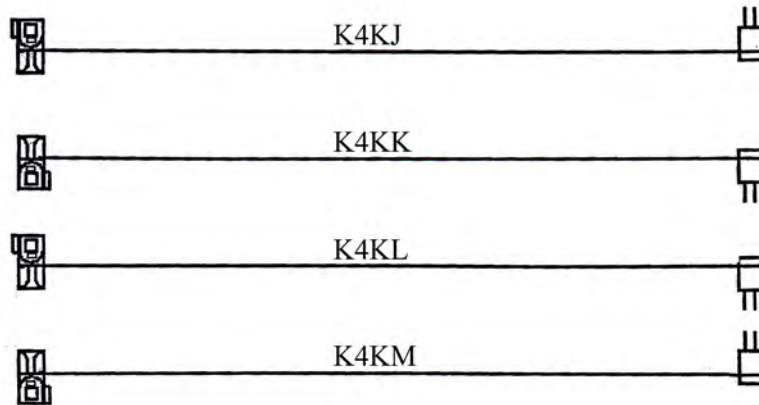
**ORDERING INFORMATION:**

**P/N**  $\frac{K}{1} \frac{XXXXXX}{2} - \frac{XX}{3} \frac{CM}{4} X$

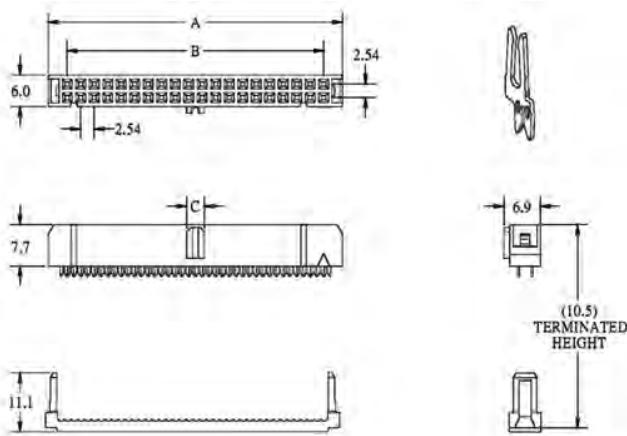
1. CONSTRUCTION TYPE:  
4DP, 4DQ, 4DR, 4DS
2. NO. OF CONTACTS:  
006~064
3. LENGTH IN CM (CENTIMETERS)
4. COLOR OF TWO IDC CONNECTORS:  
"B" BLACK  
"A" GRAY

NOTE: IDC SOCKET & DIP PLUG CAN'T BE SUPPLIED ALONE.

**1.27MM PITCH FLAT CABLE  
WITH 2.54MM IDC SOCKET (H=10.5MM) TO DIP PLUG (H=6.0MM) (E12)**



**2.54MM IDC SOCKET WITH DUAL WIPE CONTACT & W/O STRAIN RELIEF**



$A=B+7.12$

$B=2.54 \times \text{POSITIONS} / 2 - 2.54$

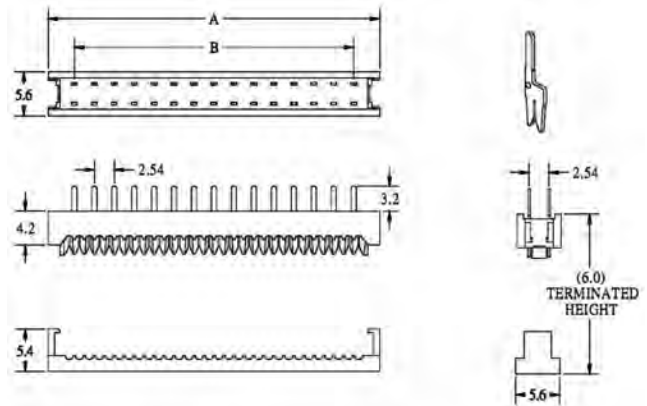
$C=1.85$  FOR 6 & 8 POSITIONS

$C=3.30$  FOR 10~64 POSITIONS

NO. OF CONTACTS:

006, 008, 010, 012, 014,  
016, 020, 024, 026, 030,  
034, 036, 040, 044, 050,  
060, 064

**2.54MM PITCH DIP PLUG H=6.0MM**

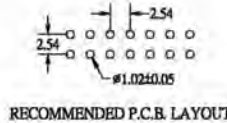


$A=B+6.64$

$B=2.54 \times \text{POSITIONS} / 2 - 2.54$

NO. OF CONTACTS:

006, 008, 010, 012, 014,  
016, 020, 024, 026, 030,  
032, 034, 040, 050, 060,  
064



**ORDERING INFORMATION:**

**P/N** K 1 2 3 4 **C M B**

1. CONSTRUCTION TYPE:

4KJ, 4KK, 4KL, 4KM

2. NO. OF CONTACTS:

006~064

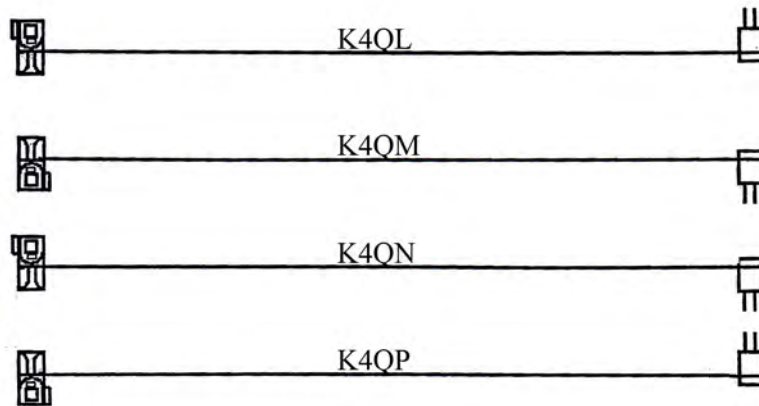
3. LENGTH IN CM (CENTIMETERS)

4. COLOR OF TWO IDC CONNECTORS:

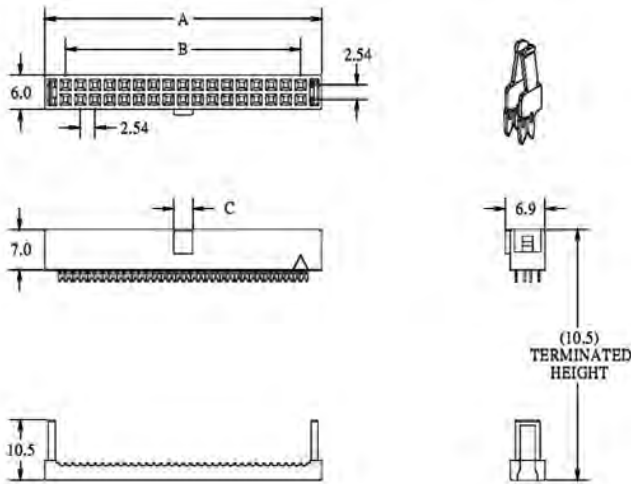
"B" BLACK

NOTE: IDC SOCKET & DIP PLUG CAN'T BE SUPPLIED ALONE.

**1.27MM PITCH FLAT CABLE  
WITH 2.54MM IDC SOCKET W/O S.R. (H=10.5MM) TO DIP PLUG (H=6.0MM) (E13)**



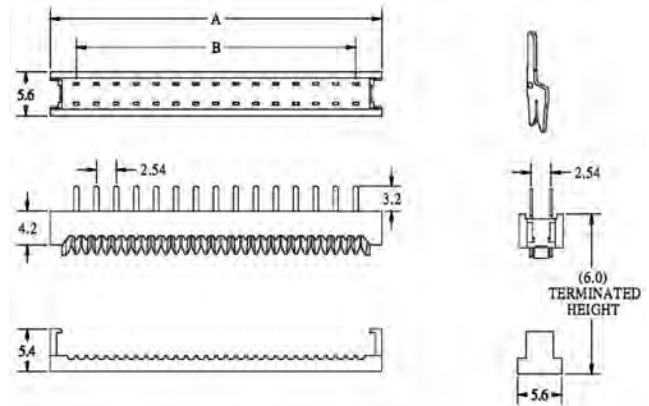
**2.54MM IDC SOCKET WITH DUAL U-SLOT & DUAL CONTACT**



A=B+7.24  
 B=2.54\*POSITIONS/2-2.54  
 C=1.85 FOR 6 & 8 POSITIONS  
 C=3.30 FOR 10~64 POSITIONS

NO. OF CONTACTS:  
 006, 008, 010, 012, 014,  
 016, 020, 024, 026, 030,  
 034, 040, 050, 060, 064

**2.54MM PITCH DIP PLUG H=6.0MM**



A=B+6.64  
 B=2.54\*POSITIONS/2-2.54

NO. OF CONTACTS:  
 006, 008, 010, 012, 014,  
 016, 020, 024, 026, 030,  
 032, 034, 040, 050, 060,  
 064

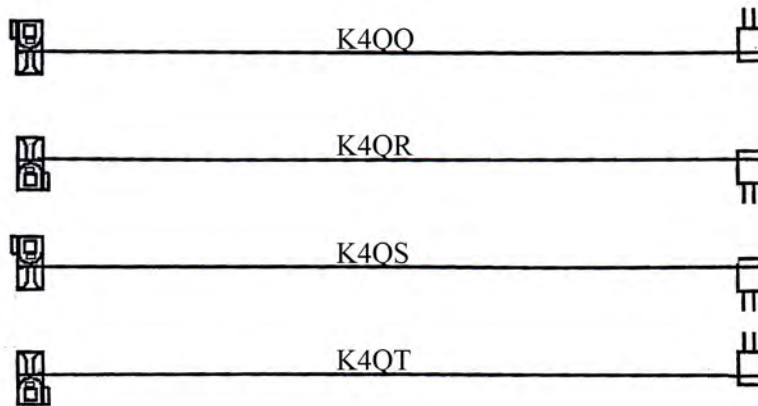
**ORDERING INFORMATION:**

**P/N K 1 2 3 4 C M B**

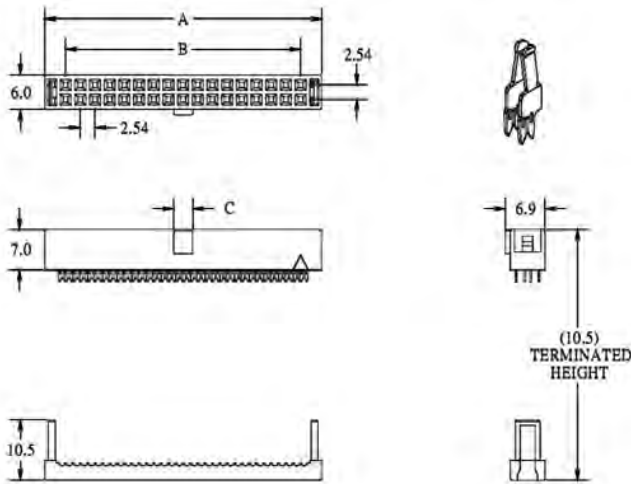
1. CONSTRUCTION TYPE:  
4QL, 4QM, 4QN, 4QP
2. NO. OF CONTACTS:  
006~064
3. LENGTH IN CM (CENTIMETERS)
4. COLOR OF TWO IDC CONNECTORS:  
"B" BLACK

NOTE: IDC SOCKET & DIP PLUG CAN'T BE SUPPLIED ALONE.

**1.27MM PITCH FLAT CABLE  
WITH 2.54MM IDC SOCKET W/O S.R. (H=10.5MM) TO DIP PLUG (H=6.0MM) (E14)**



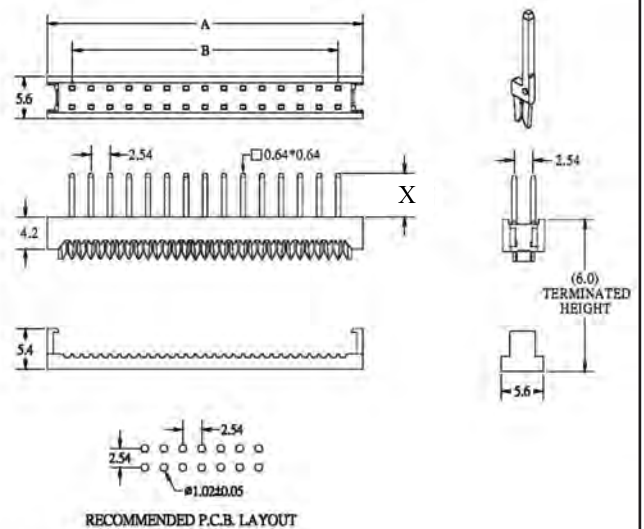
**2.54MM IDC SOCKET WITH DUAL U-SLOT & DUAL CONTACT**



A=B+7.24  
 B=2.54\*POSITIONS/2-2.54  
 C=1.85 FOR 6 & 8 POSITIONS  
 C=3.50 FOR 10~64 POSITIONS

NO. OF CONTACTS:  
 006, 008, 010, 012, 014,  
 016, 020, 024, 026, 030,  
 034, 040, 050, 060, 064

**2.54MM DIP PLUG WITH 0.64MM SQUARE SOLDER TAIL**



A=B+6.64  
 B=2.54\*POSITIONS/2-2.54  
 X=PIN LENGTH

NO. OF CONTACTS:  
 006, 008, 010, 012, 014,  
 016, 020, 024, 026, 030,  
 032, 034, 040, 050, 060,  
 064

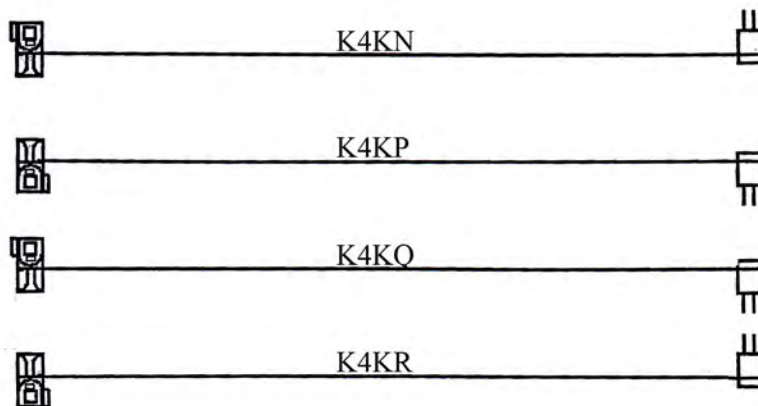
**ORDERING INFORMATION:**

**P/N K 1 2 3 4 5 C M B X**

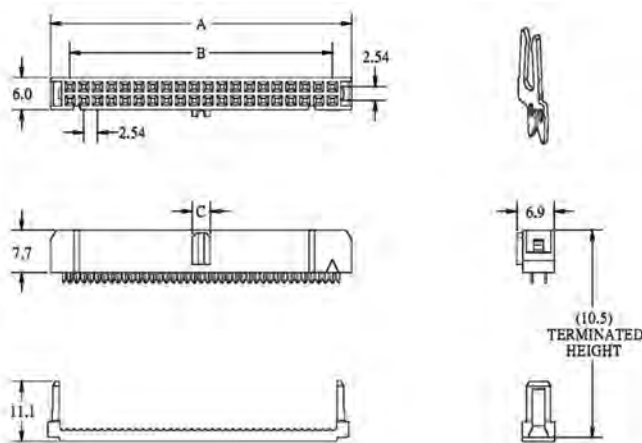
- CONSTRUCTION TYPE:  
4QQ, 4QR, 4QS, 4QT
- NO. OF CONTACTS:  
006~064
- LENGTH IN CM (CENTIMETERS)
- COLOR OF TWO IDC CONNECTORS:  
"B" BLACK
- PIN LENGTH OF DIP PLUG:  
"6" X= 5.85MM (STANDARD)  
"T" X= 12.0MM

NOTE: IDC SOCKET & DIP PLUG CAN'T BE SUPPLIED ALONE.

**1.27MM PITCH FLAT CABLE  
WITH 2.54MM IDC SOCKET (H=10.5MM) TO DIP PLUG (H=6.0MM) (E15)**



**2.54MM IDC SOCKET WITH DUAL WIPE CONTACT & W/O STRAIN RELIEF**



$A=B+7.12$

$B=2.54 * \text{POSITIONS} / 2 - 2.54$

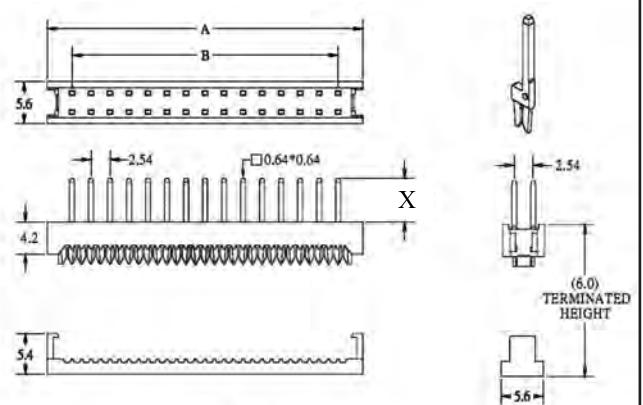
$C=1.85$  FOR 6 & 8 POSITIONS

$C=3.30$  FOR 10~64 POSITIONS

NO. OF CONTACTS:

- 006, 008, 010, 012, 014,  
016, 020, 024, 026, 030,  
034, 036, 040, 044, 050,  
060, 064

**2.54MM DIP PLUG WITH 0.64MM SQUARE TAIL H=6.0MM**



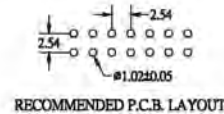
$A=B+6.64$

$B=2.54 * \text{POSITIONS} / 2 - 2.54$

X=PIN LENGTH

NO. OF CONTACTS:

- 006, 008, 010, 012, 014,  
016, 020, 024, 026, 030,  
032, 034, 040, 050, 060,  
064



**ORDERING INFORMATION:**

**P/N** **K** **x x x x x x** - **x x** **C M** **B** **x**  
          1      2          3      4 5

1. CONSTRUCTION TYPE:

4KN, 4KP, 4KQ, 4KR

2. NO. OF CONTACTS:

006~064

3. LENGTH IN CM (CENTIMETERS)

4. COLOR OF TWO IDC CONNECTORS:

"B" BLACK

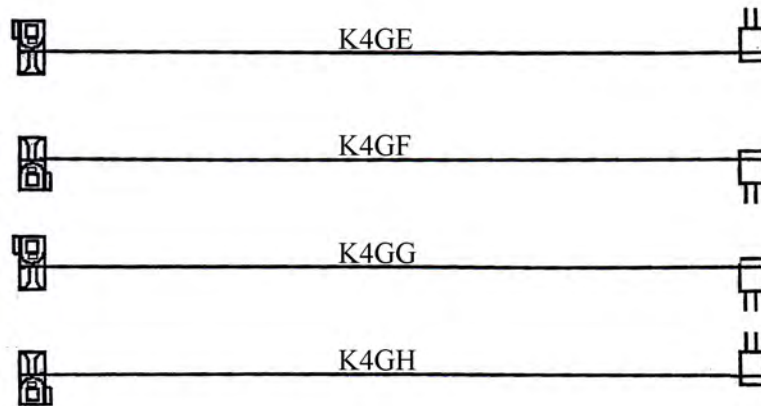
5. PIN LENGTH OF DIP PLUG:

"6" X= 5.85MM (STANDARD)

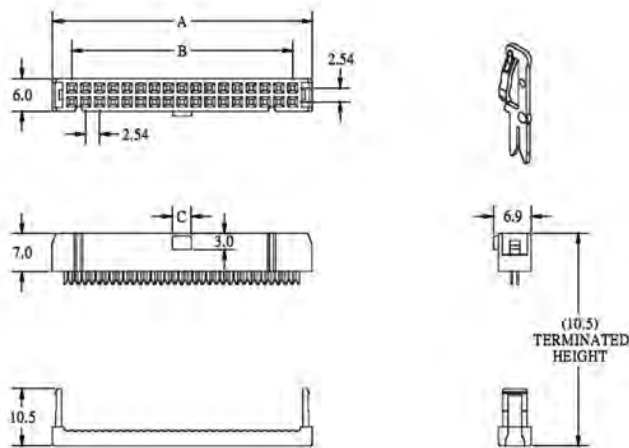
"T" X= 12.0MM

NOTE: IDC SOCKET & DIP PLUG CAN'T BE SUPPLIED ALONE.

**1.27MM PITCH FLAT CABLE  
WITH 2.54MM IDC SOCKET (H=10.5MM) TO DIP PLUG (H=6.0MM) (E16)**



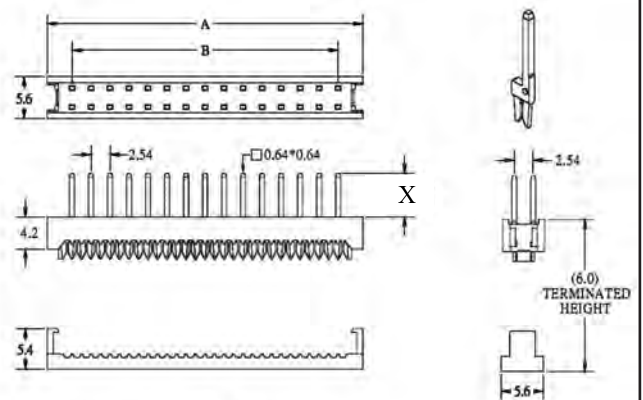
**2.54MM IDC SOCKET W/O STRAIN RELIEF**



A=B+7.24  
B=2.54\*POSITIONS/2-2.54  
C=1.85 FOR 4~8 POSITIONS  
C=3.30 FOR 10~64 POSITIONS

NO. OF CONTACTS:  
004, 006, 008, 010, 012,  
014, 016, 020, 024, 026,  
030, 034, 036, 040, 044,  
050, 056, 060, 062, 064

**2.54MM DIP PLUG WITH 0.64MM SQUARE  
TAIL H=6.0MM**



A=B+6.64  
B=2.54\*POSITIONS/2-2.54  
X=PIN LENGTH

NO. OF CONTACTS:  
006, 008, 010, 012, 014,  
016, 020, 024, 026, 030,  
032, 034, 040, 050, 060,  
064

**ORDERING INFORMATION:**

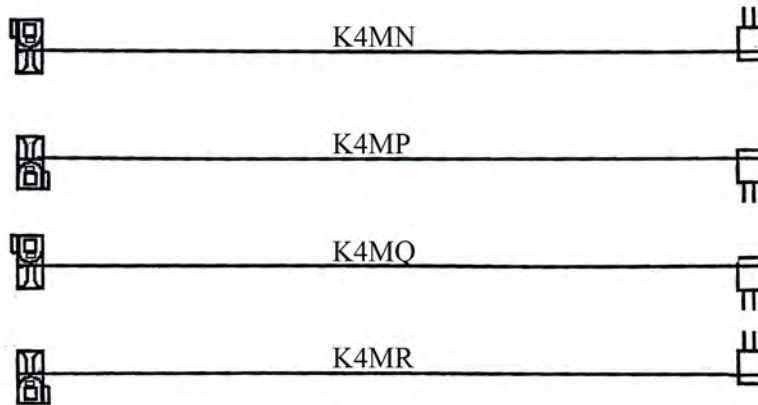
**P/N K 1 2 3 4 5 - 3 4 5**

1. CONSTRUCTION TYPE:  
4GE, 4GF, 4GG, 4GH
2. NO. OF CONTACTS:  
006~064
3. LENGTH IN CM (CENTIMETERS)
4. COLOR OF TWO IDC CONNECTORS:  
"B" BLACK
5. PIN LENGTH OF DIP PLUG:  
"6" X= 5.85MM (STANDARD)  
"T" X= 12.0MM

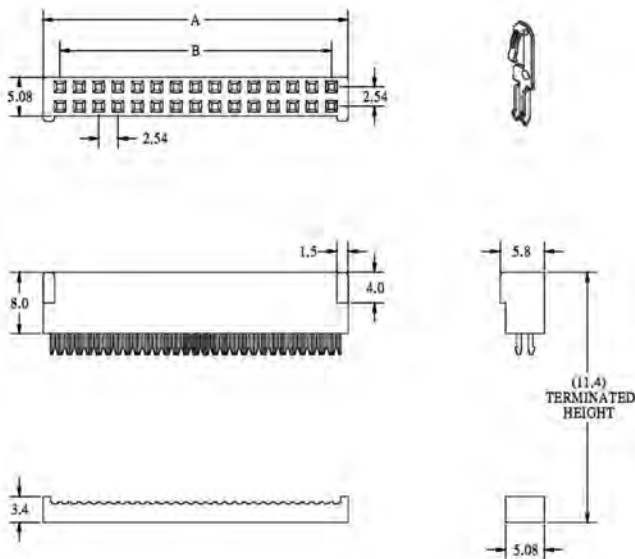
NOTE: IDC SOCKET & DIP PLUG CAN'T BE SUPPLIED ALONE.



# 1.27MM PITCH FLAT CABLE WITH 2.54MM SHRUNK IDC SOCKET (H=11.4MM) TO SHRUNK DIP PLUG (H=6.1MM) (E17)



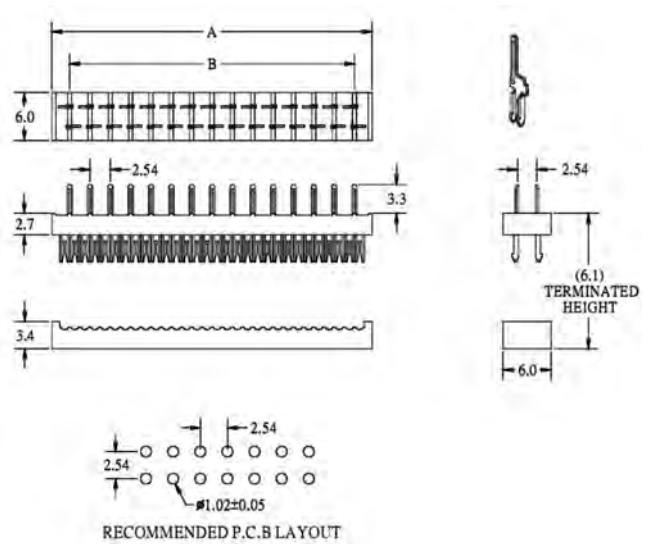
## 2.54MM SHRUNK IDC SOCKET



$A=B+4.40$   
 $B=2.54*POSITIONS/2-2.54$

NO. OF CONTACTS:  
 006, 008, 010, 012, 014,  
 016, 020, 024, 026, 030,  
 034, 040, 050, 060, 064

## 2.54MM SHRUNK DIP PLUG



$A=B+4.40$   
 $B=2.54*POSITIONS/2-2.54$

NO. OF CONTACTS:  
 006, 008, 010, 012, 014,  
 016, 020, 024, 026, 028,  
 030, 034, 040, 050, 060,  
 064

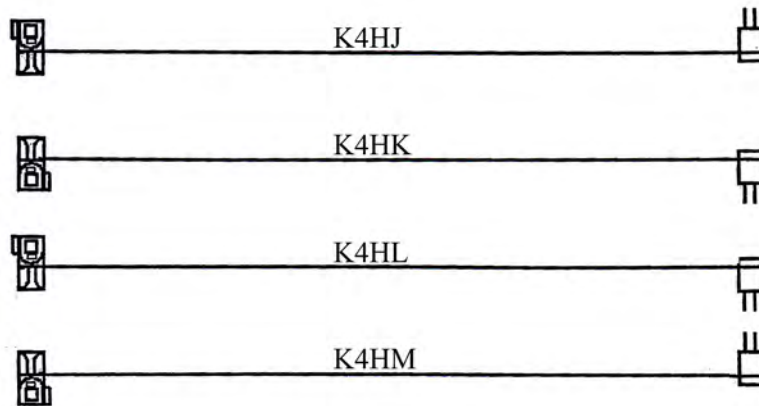
## ORDERING INFORMATION:

P/N **K** 1 2 3 4 **C M B**

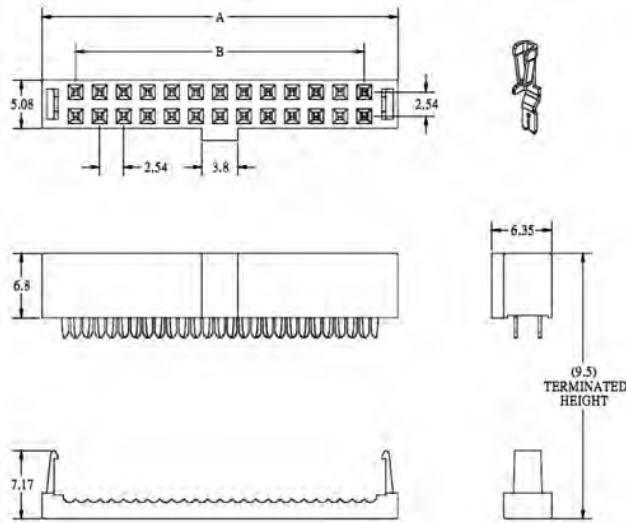
1. CONSTRUCTION TYPE:  
4MN, 4MP, 4MQ, 4MR
2. NO. OF CONTACTS:  
006~064
3. LENGTH IN CM (CENTIMETERS)
4. COLOR OF TWO IDC CONNECTORS:  
"B" BLACK

NOTE: IDC SOCKET & DIP PLUG CAN'T BE SUPPLIED ALONE.

**1.27MM PITCH FLAT CABLE  
WITH 2.54MM IDC SOCKET (H=9.5MM) TO DIP PLUG (H=7.85MM) (E18)**



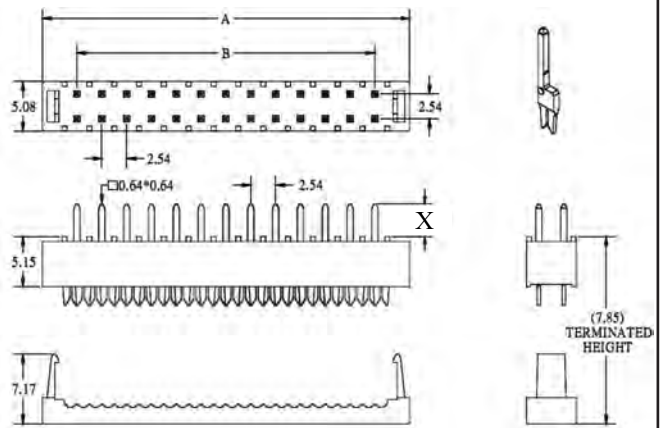
**2.54MM LOW PROFILE IDC SOCKET W/O STRAIN RELIEF H=9.5MM**



$A=B+7.11$   
 $B=2.54*POSITIONS/2-2.54$

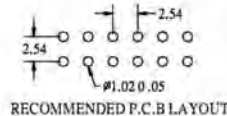
NO. OF CONTACTS:  
006, 008, 010, 012, 014,  
016, 020, 024, 026, 030,  
034, 040, 050, 060, 064

**2.54MM DIP PLUG WITH 0.64MM SQUARE TAIL H=7.85MM**



$A=B+7.11$   
 $B=2.54*POSITIONS/2-2.54$   
X=PIN LENGTH

NO. OF CONTACTS:  
006, 008, 010, 012, 014,  
016, 020, 024, 026, 030,  
034, 040, 050, 060, 064



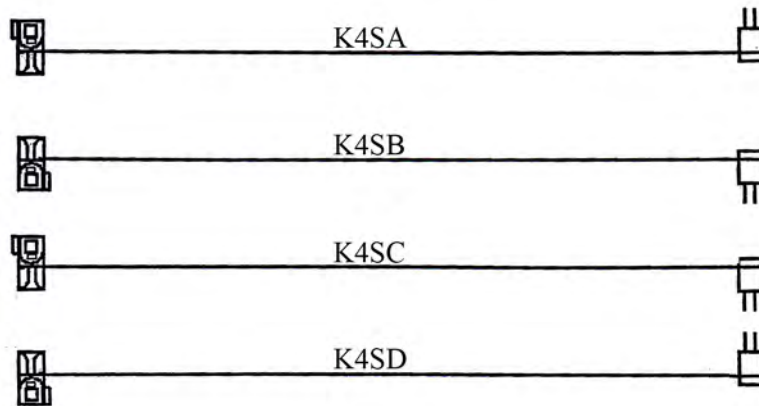
**ORDERING INFORMATION:**

**P/N** K 1 2 3 4 5 **C M B X**

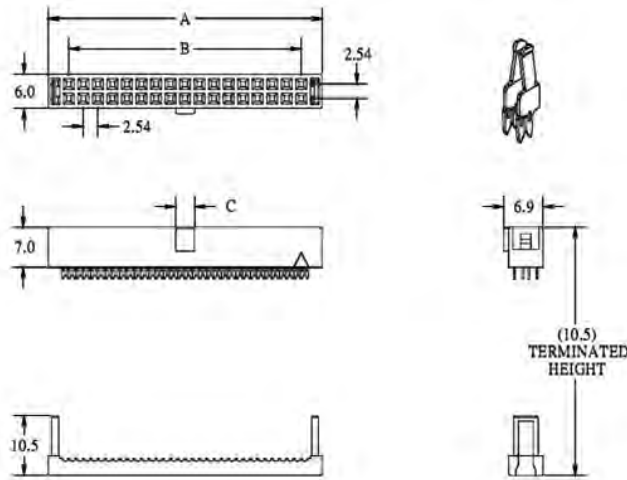
- CONSTRUCTION TYPE:  
4HJ, 4HK, 4HL, 4HM
- NO. OF CONTACTS:  
006~064
- LENGTH IN CM (CENTIMETERS)
- COLOR OF TWO IDC CONNECTORS:  
"B" BLACK
- PIN LENGTH OF DIP PLUG:  
"3" X= 3.10MM (STANDARD)  
"6" X= 5.95MM

NOTE: IDC SOCKET & DIP PLUG CAN'T BE SUPPLIED ALONE.

**1.27MM PITCH FLAT CABLE  
WITH 2.54MM IDC SOCKET W/O S.R. (H=10.5MM) TO DIP PLUG (H=7.85MM) (E19)**



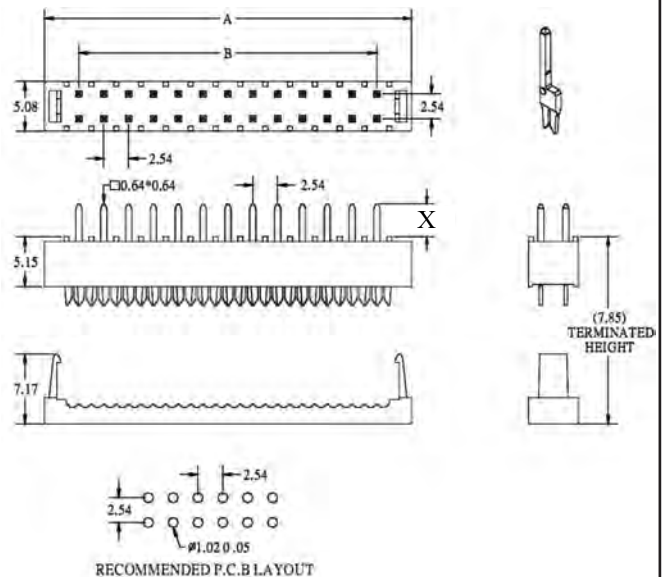
**2.54MM IDC SOCKET WITH DUAL U-SLOT & DUAL CONTACT**



A=B+  
 B=2.54\*POSITIONS/2-2.54  
 C=1.85 FOR 6 & 8 POSITIONS  
 C=3.50 FOR 10~64 POSITIONS

NO. OF CONTACTS:  
 006, 008, 010, 012, 014,  
 016, 020, 024, 026, 030,  
 034, 040, 050, 060, 064

**2.54MM DIP PLUG WITH 0.64MM SQUARE SOLDER TAIL**



A=B+7.11  
 B=2.54\*POSITIONS/2-2.54  
 X=PIN LENGTH

NO. OF CONTACTS:  
 006, 008, 010, 012, 014,  
 016, 020, 024, 026, 030,  
 034, 040, 050, 060, 064

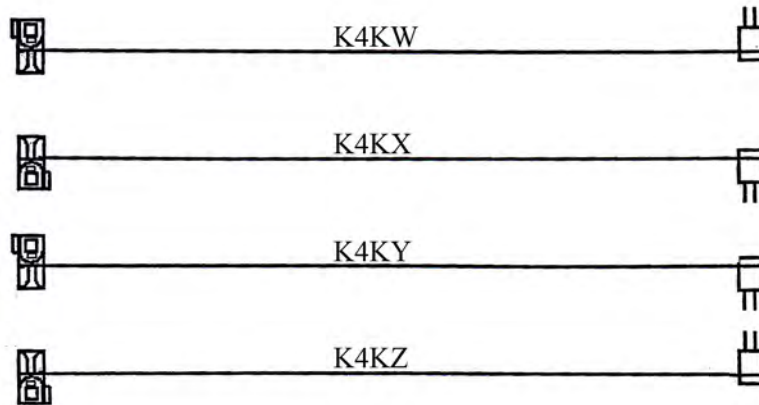
**ORDERING INFORMATION:**

**P/N K 1 2 3 4 5 C M B X**

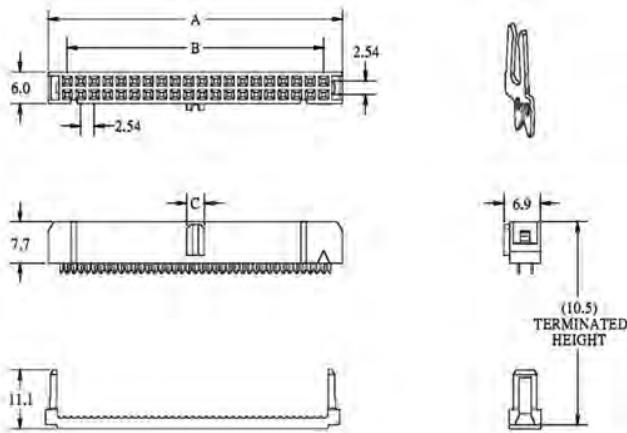
- CONSTRUCTION TYPE:  
4SA, 4SB, 4SC, 4SD
- NO. OF CONTACTS:  
006~064
- LENGTH IN CM (CENTIMETERS)
- COLOR OF TWO IDC CONNECTORS:  
"B" BLACK
- PIN LENGTH OF DIP PLUG:  
"3" X= 3.10MM (STANDARD)  
"6" X= 5.95MM

NOTE: IDC SOCKET & DIP PLUG CAN'T BE SUPPLIED ALONE.

**1.27MM PITCH FLAT CABLE  
WITH 2.54MM IDC SOCKET (H=10.5MM) TO DIP PLUG (H=7.85MM) (E20)**



**2.54MM IDC SOCKET WITH DUAL WIPE CONTACT & W/O STRAIN RELIEF**



$A=B+7.12$

$B=2.54 * \text{POSITIONS} / 2 - 2.54$

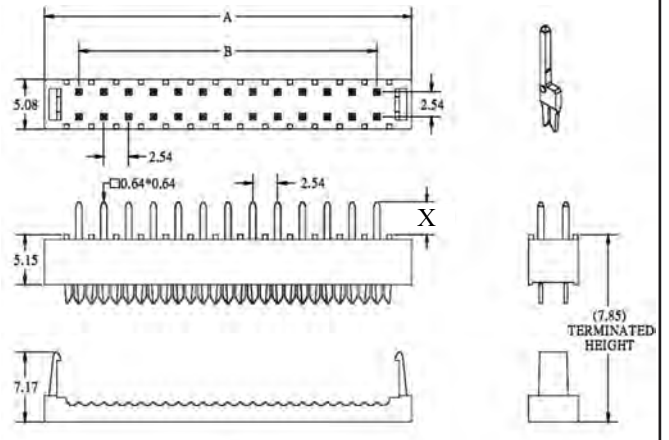
$C=1.85$  FOR 6 & 8 POSITIONS

$C=3.30$  FOR 10~64 POSITIONS

NO. OF CONTACTS:

006, 008, 010, 012, 014,  
016, 020, 024, 026, 030,  
034, 036, 040, 044, 050,  
060, 064

**2.54MM DIP PLUG WITH 0.64MM SQUARE  
TAIL H=7.85MM**



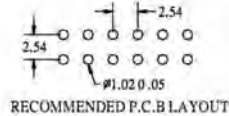
$A=B+7.11$

$B=2.54 * \text{POSITIONS} / 2 - 2.54$

$X=\text{PIN LENGTH}$

NO. OF CONTACTS:

006, 008, 010, 012, 014,  
016, 020, 024, 026, 030,  
034, 040, 050, 060, 064



**ORDERING INFORMATION:**

**P/N** K 1 2 3 4 5 C M B X

1. CONSTRUCTION TYPE:

4KW, 4KX, 4KY, 4KZ

2. NO. OF CONTACTS:

006~064

3. LENGTH IN CM (CENTIMETERS)

4. COLOR OF TWO IDC CONNECTORS:

"B" BLACK

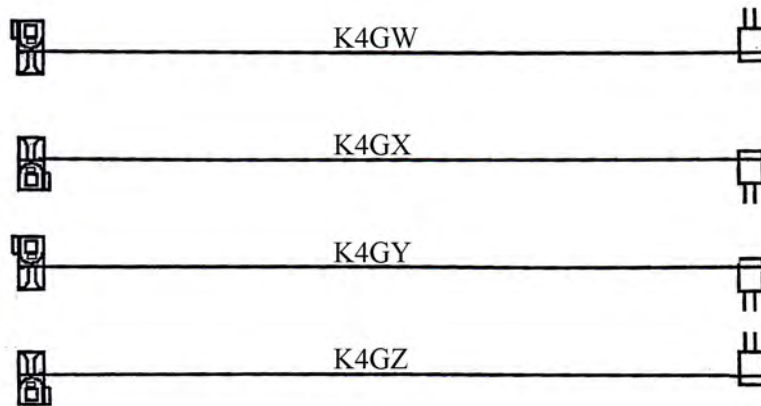
5. PIN LENGTH OF DIP PLUG:

"3" X= 3.10MM (STANDARD)

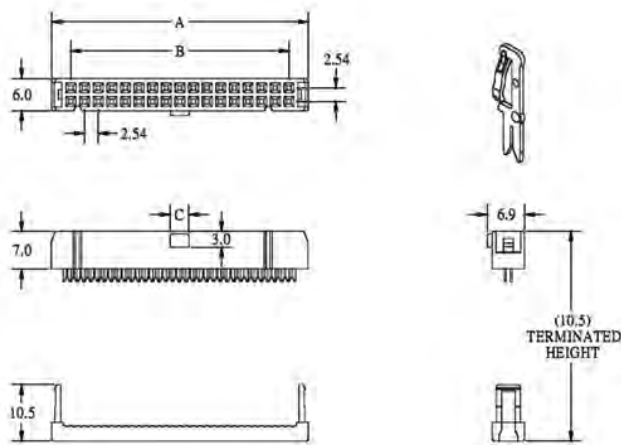
"6" X= 5.95MM

NOTE: IDC SOCKET & DIP PLUG CAN'T BE SUPPLIED ALONE.

**1.27MM PITCH FLAT CABLE  
WITH 2.54MM IDC SOCKET (H=1.05MM) TO DIP PLUG (H=7.85MM) (E21)**



**2.54MM IDC SOCKET W/O STRAIN RELIEF**



$A=B+7.24$

$B=2.54*POSITIONS/2-2.54$

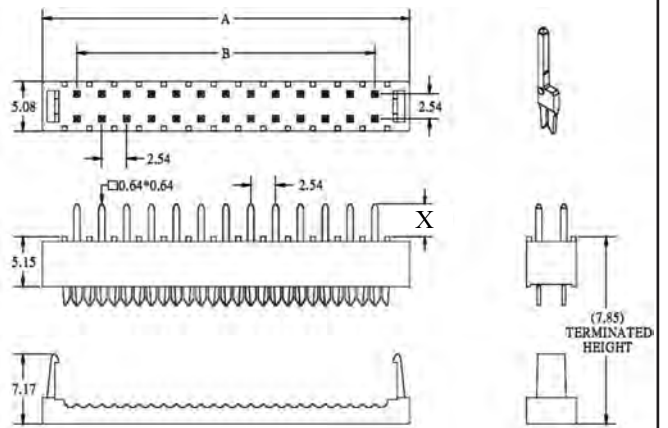
$C=1.85$  FOR 4~8 POSITIONS

$C=3.50$  FOR 10~64 POSITIONS

NO. OF CONTACTS:

004, 006, 008, 010, 012,  
014, 016, 020, 024, 026,  
030, 034, 036, 040, 044,  
050, 056, 060, 062, 064

**2.54MM DIP PLUG WITH 0.64MM SQUARE  
TAIL H=7.85MM**



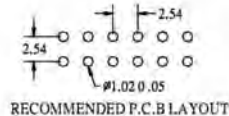
$A=B+7.11$

$B=2.54*POSITIONS/2-2.54$

$X=PIN$  LENGTH

NO. OF CONTACTS:

006, 008, 010, 012, 014,  
016, 020, 024, 026, 030,  
034, 040, 050, 060, 064



**ORDERING INFORMATION:**

**P/N** K 1 2 3 4 5 C M B X

1. CONSTRUCTION TYPE:

4GW, 4GX, 4GY, 4GZ

2. NO. OF CONTACTS:

006~064

3. LENGTH IN CM (CENTIMETERS)

4. COLOR OF TWO IDC CONNECTORS:

"B" BLACK

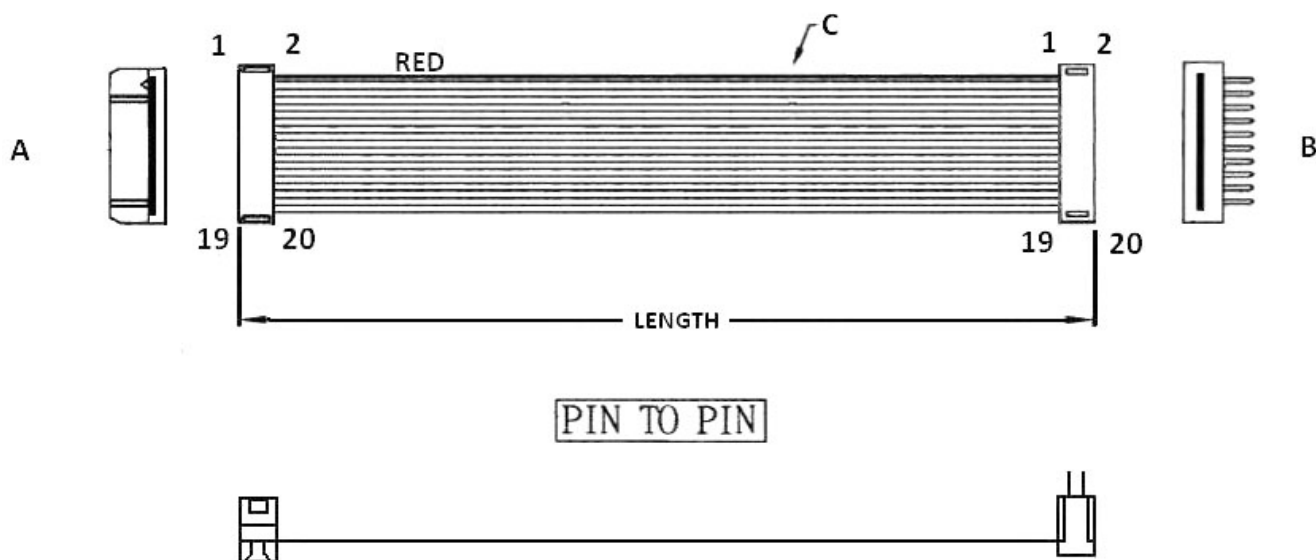
5. PIN LENGTH OF DIP PLUG:

"3" X= 3.10MM (STANDARD)

"6" X= 5.95MM

NOTE: IDC SOCKET & DIP PLUG CAN'T BE SUPPLIED ALONE.

**1.27MM PITCH FLAT CABLE WITH  
2.54MM PITCH IDC SOCKET W/O NOSE (H=11.0MM) TO DIP PLUG (H=7.6MM) (F1)**

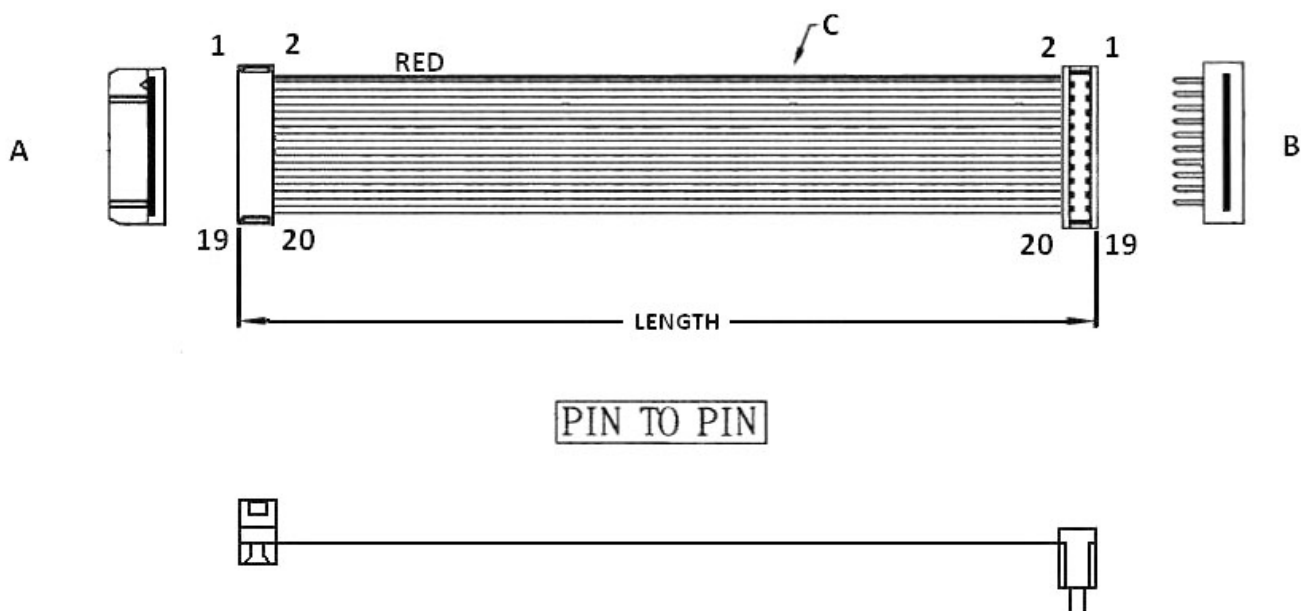


**ORDERING INFORMATION:**

**P/N**  $\frac{KA}{1} \frac{xx}{2} \frac{AD}{3} - \frac{xx}{4} CM \frac{x}{5}$

1. FLAT CABLE TYPE:  
"KA" 1.27MM AWG28 UL2651 VW-1  
PVC INSULATION GRAY
2. NO. OF CONTACTS:  
06~64
3. CONNECTORS AT TWO ENDS:  
"AD" 2.54MM IDC SOCKET W/O NOSE & W/O S.R.  
TO DIP PLUG
4. LENGTH IN CM (CENTIMETERS)
5. COLOR OF TWO IDC CONNECTORS:  
"B" BLACK  
"A" GRAY

**1.27MM PITCH FLAT CABLE WITH  
2.54MM PITCH IDC SOCKET W/O NOSE (H=11.0MM) TO DIP PLUG (H=7.6MM) (F2)**



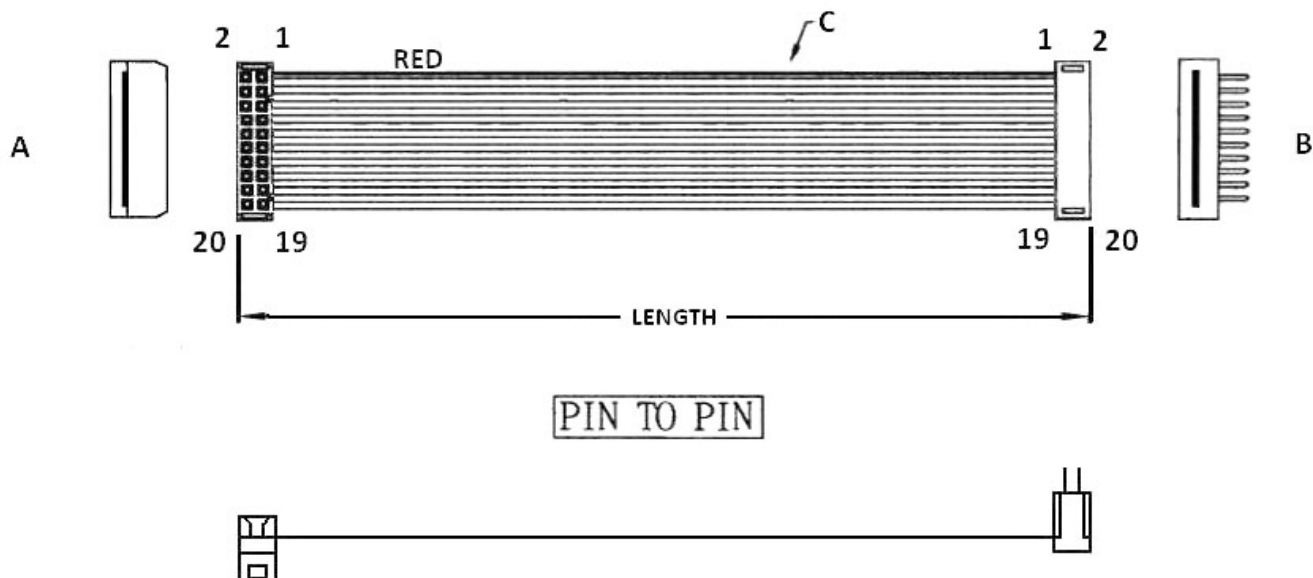
PIN TO PIN

**ORDERING INFORMATION:**

P/N  $\frac{KA}{1} \frac{xx}{2} \frac{AP}{3} - \frac{xx}{4} CM \frac{x}{5}$

1. FLAT CABLE TYPE:  
"KA" 1.27MM AWG28 UL2651 VW-1  
PVC INSULATION GRAY
2. NO. OF CONTACTS:  
06~64
3. CONNECTORS AT TWO ENDS:  
"AP" 2.54MM IDC SOCKET W/O NOSE & W/O S.R.  
TO 2.54MM DIP PLUG
4. LENGTH IN CM (CENTIMETERS)
5. COLOR OF TWO IDC CONNECTORS:  
"B" BLACK  
"A" GRAY

**1.27MM PITCH FLAT CABLE WITH  
2.54MM PITCH IDC SOCKET W/O NOSE (H=11.0MM) TO DIP PLUG (H=7.6MM) (F3)**



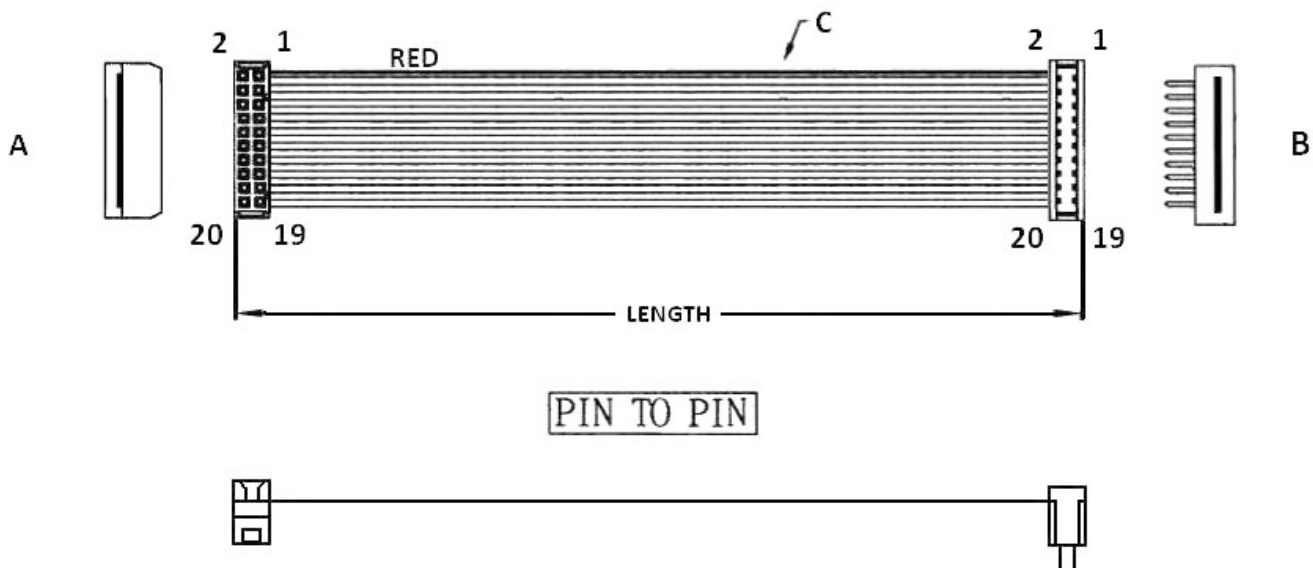
**ORDERING INFORMATION:**

**P/N**  $\frac{\text{KA}}{1} \frac{\text{xx}}{2} \frac{\text{VD}}{3} - \frac{\text{xx}}{4} \text{CM} \frac{\text{x}}{5}$

1. FLAT CABLE TYPE:  
"KA" 1.27MM AWG28 UL2651 VW-1  
PVC INSULATION GRAY
2. NO. OF CONTACTS:  
06~64
3. CONNECTORS AT TWO ENDS:  
"VD" 2.54MM IDC SOCKET W/O NOSE & W/O S.R.  
TO DIP PLUG
4. LENGTH IN CM (CENTIMETERS)
5. COLOR OF TWO IDC CONNECTORS:  
"B" BLACK  
"A" GRAY



**1.27MM PITCH FLAT CABLE WITH  
2.54MM PITCH IDC SOCKET W/O NOSE (H=11.0MM) TO DIP PLUG (H=7.6MM) (F4)**

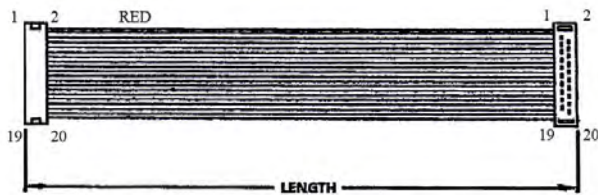


**ORDERING INFORMATION:**

**P/N**  $\frac{\text{KA}}{1} \frac{\text{xx}}{2} \frac{\text{VP}}{3} - \frac{\text{xx}}{4} \text{CM} \frac{\text{x}}{5}$

1. FLAT CABLE TYPE:  
"KA" 1.27MM AWG28 UL2651 VW-1  
PVC INSULATION GRAY
2. NO. OF CONTACTS:  
06~64
3. CONNECTORS AT TWO ENDS:  
"VP" 2.54MM IDC SOCKET W/O NOSE & W/O S.R.  
TO 2.54MM DIP PLUG
4. LENGTH IN CM (CENTIMETERS)
5. COLOR OF TWO IDC CONNECTORS:  
"B" BLACK  
"A" GRAY

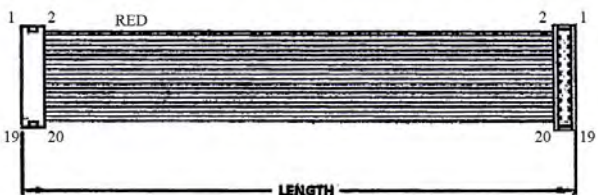
**1.27MM PITCH FLAT CABLE WITH 2.54MM SHRUNK LOW PROFILE IDC SOCKET W/O NOSE (H=9.3MM) TO SHRUNK DIP PLUG (H=6.1MM) (F5)**



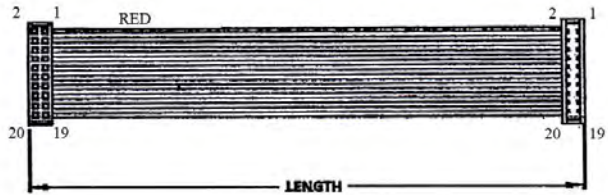
**K4MJ**



**K4ML**



**K4MK**



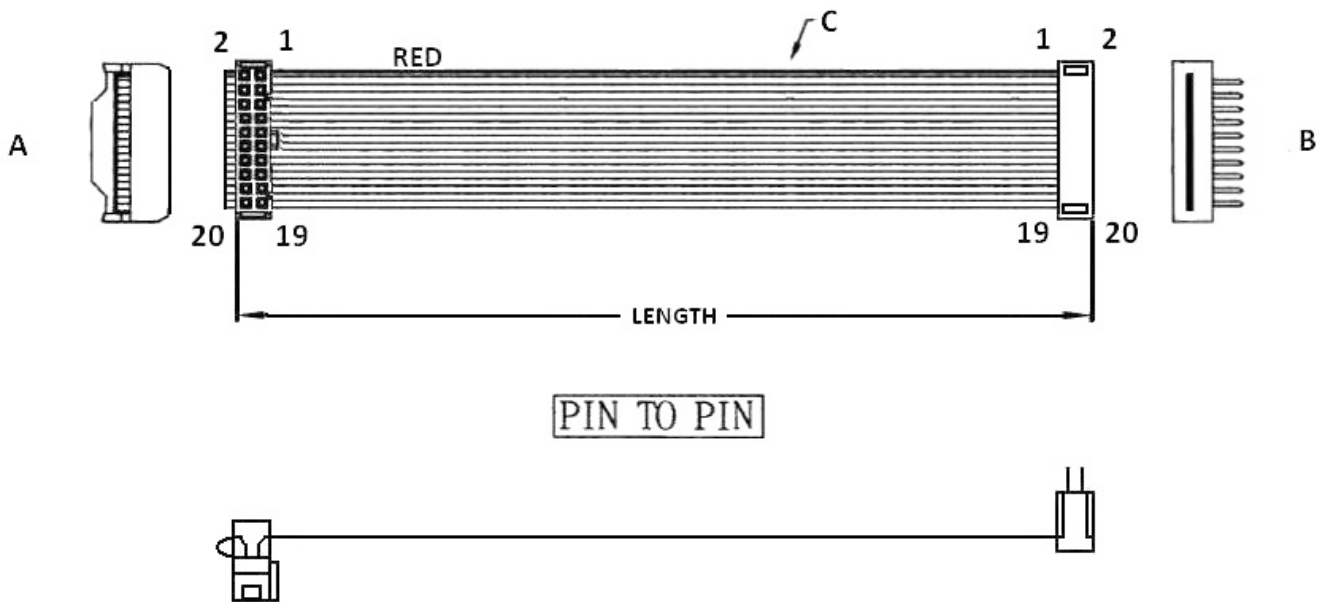
**K4MM**

**ORDERING INFORMATION:**

**P/N K  $\frac{x}{1} \frac{x}{2} \frac{x}{3} \frac{x}{4} - \frac{xx}{3} \frac{C}{4} \frac{M}{4} \frac{B}{4}$**

1. CONSTRUCTION TYPE:  
4MJ, 4MK, 4ML, 4MM
2. NO. OF CONTACTS:  
006~064
3. LENGTH IN CM (CENTIMETERS)
4. COLOR OF TWO IDC CONNECTORS:  
"B" BLACK

**1.27MM PITCH FLAT CABLE WITH 2.54MM PITCH IDC SOCKET WITH STRAIN RELIEF (H=16.0MM) TO DIP PLUG (H=7.6MM) (G1)**

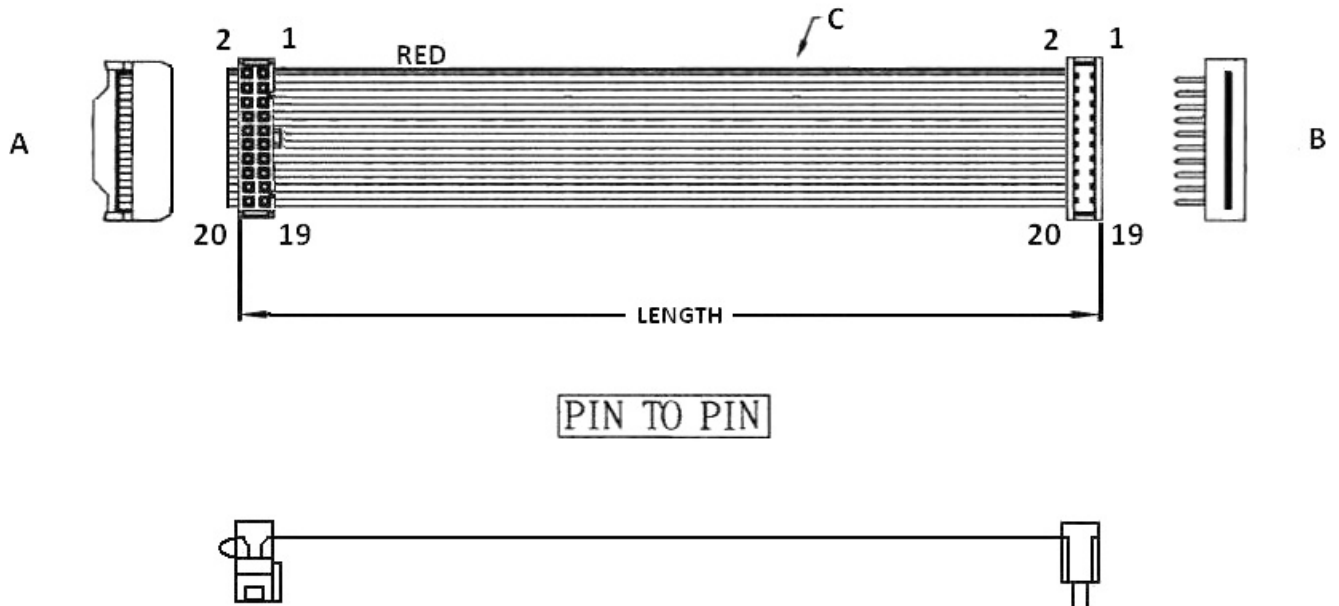


**ORDERING INFORMATION:**

**P/N**  $\frac{K}{1} \frac{A}{2} \frac{xx}{3} \frac{MD}{4} - \frac{xx}{5} CM \frac{x}{5}$

1. FLAT CABLE TYPE:  
"KA" 1.27MM AWG28 UL2651 VW-1  
PVC INSULATION GRAY
2. NO. OF CONTACTS:  
06~64
3. CONNECTORS AT TWO ENDS:  
"MD" 2.54MM IDC SOCKET WITH NOSE & S.R. TO  
2.54MM DIP PLUG
4. LENGTH IN CM (CENTIMETERS)
5. COLOR OF TWO IDC CONNECTORS:  
"B" BLACK  
"A" GRAY

**1.27MM PITCH FLAT CABLE WITH 2.54MM PITCH IDC SOCKET WITH STRAIN RELIEF (H=16.0MM) TO DIP PLUG (H=7.6MM) (G2)**

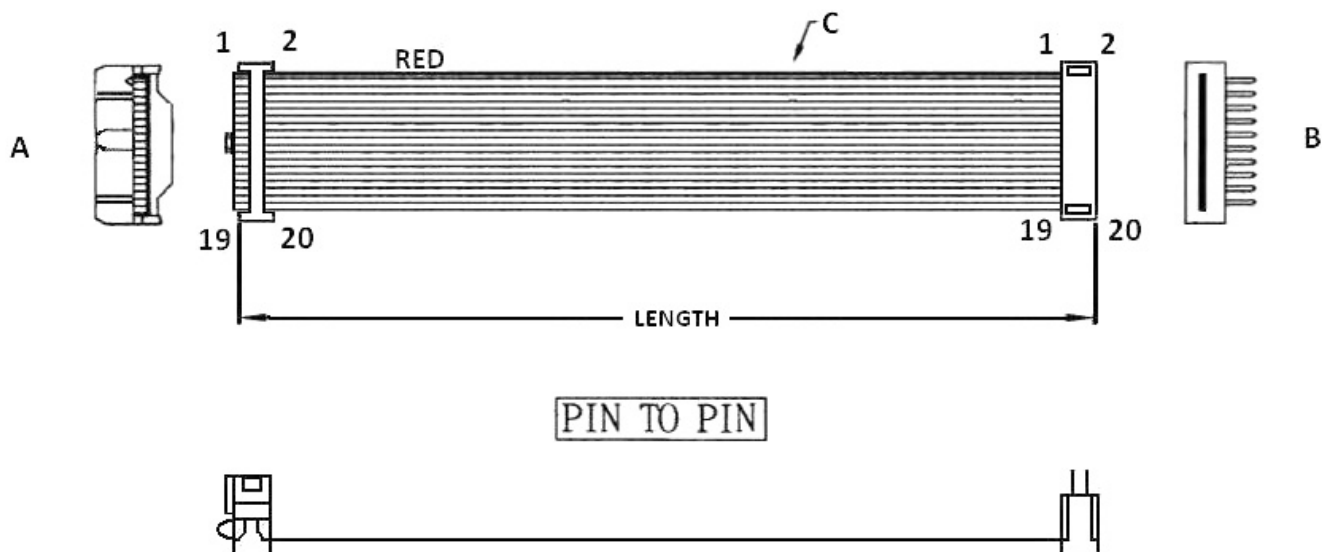


**ORDERING INFORMATION:**

**P/N**  $\frac{\text{KA}}{1}$   $\frac{\text{xx}}{2}$   $\frac{\text{MP}}{3}$  -  $\frac{\text{xx}}{4}$  **CM**  $\frac{\text{x}}{5}$

1. FLAT CABLE TYPE:  
"KA" 1.27MM AWG28 UL2651 VW-1  
PVC INSULATION GRAY
2. NO. OF CONTACTS:  
06~64
3. CONNECTORS AT TWO ENDS:  
"MP" 2.54MM IDC SOCKET WITH NOSE & S.R. TO  
2.54MM DIP PLUG
4. LENGTH IN CM (CENTIMETERS)
5. COLOR OF TWO IDC CONNECTORS:  
"B" BLACK  
"A" GRAY

**1.27MM PITCH FLAT CABLE WITH 2.54MM PITCH IDC SOCKET WITH STRAIN RELIEF (H=16.0MM) TO DIP PLUG (H=7.6MM) (G3)**

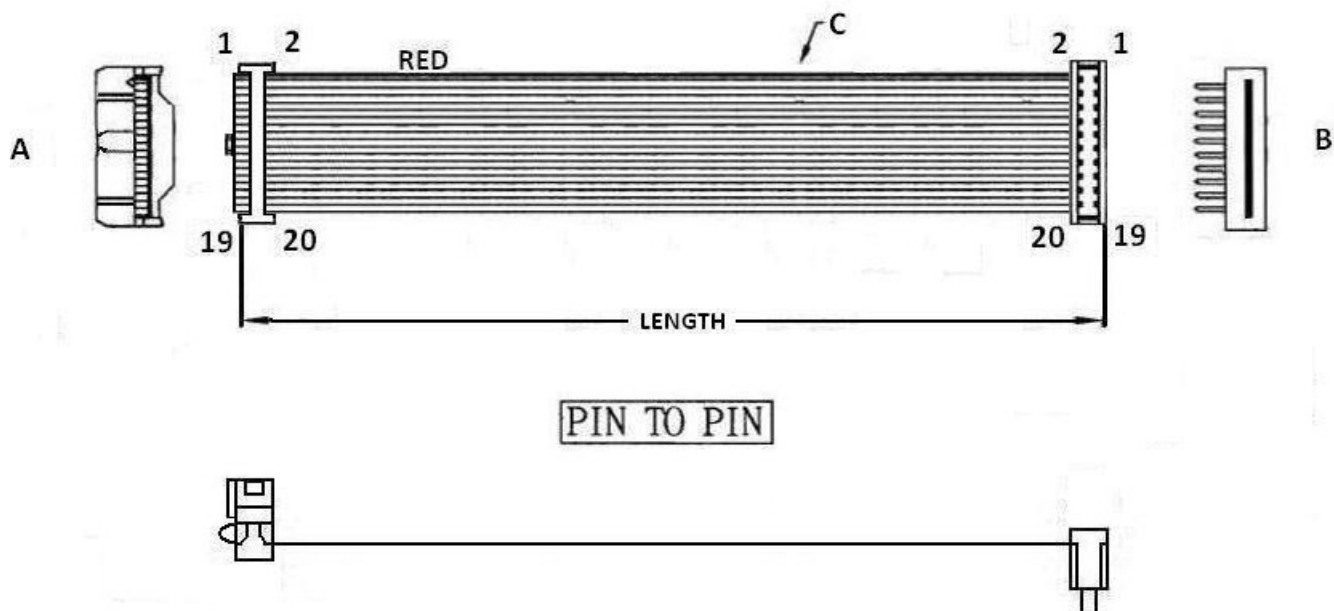


**ORDERING INFORMATION:**

**P/N**  $\frac{\text{KA}}{1} \frac{\text{xx}}{2} \frac{\text{ND}}{3} - \frac{\text{xx}}{4} \text{CM} \frac{\text{x}}{5}$

1. FLAT CABLE TYPE:  
"KA" 1.27MM AWG28 UL2651 VW-1  
PVC INSULATION GRAY
2. NO. OF CONTACTS:  
06~64
3. CONNECTORS AT TWO ENDS:  
"ND" 2.54MM IDC SOCKET WITH NOSE & S.R. TO  
2.54MM DIP PLUG
4. LENGTH IN CM (CENTIMETERS)
5. COLOR OF TWO IDC CONNECTORS:  
"B" BLACK  
"A" GRAY

**1.27MM PITCH FLAT CABLE WITH 2.54MM PITCH IDC SOCKET WITH STRAIN RELIEF (H=16.0MM) TO DIP PLUG (H=7.6MM) (G4)**



**ORDERING INFORMATION:**

**P/N**  $\frac{\text{KA}}{1} \frac{\text{xx}}{2} \frac{\text{NP}}{3} - \frac{\text{xx}}{4} \text{CM} \frac{\text{x}}{5}$

**1. FLAT CABLE TYPE:**

"KA" 1.27MM AWG28 UL2651 VW-1  
PVC INSULATION GRAY

**2. NO. OF CONTACTS:**

06~64

**3. CONNECTORS AT TWO ENDS:**

"NP" 2.54MM IDC SOCKET WITH NOSE & S.R. TO  
2.54MM DIP PLUG

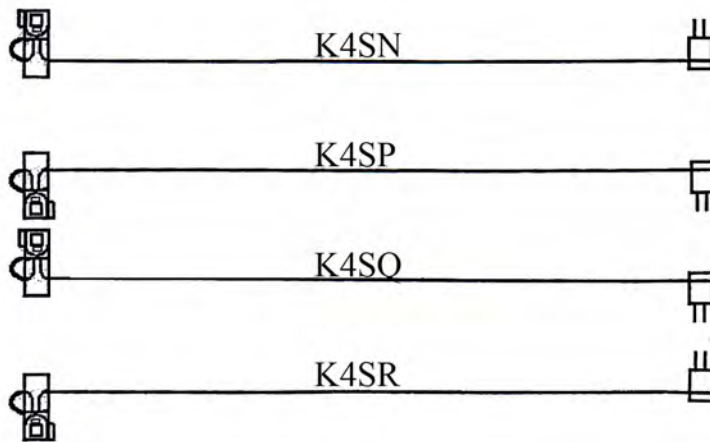
**4. LENGTH IN CM (CENTIMETERS)**

**5. COLOR OF TWO IDC CONNECTORS:**

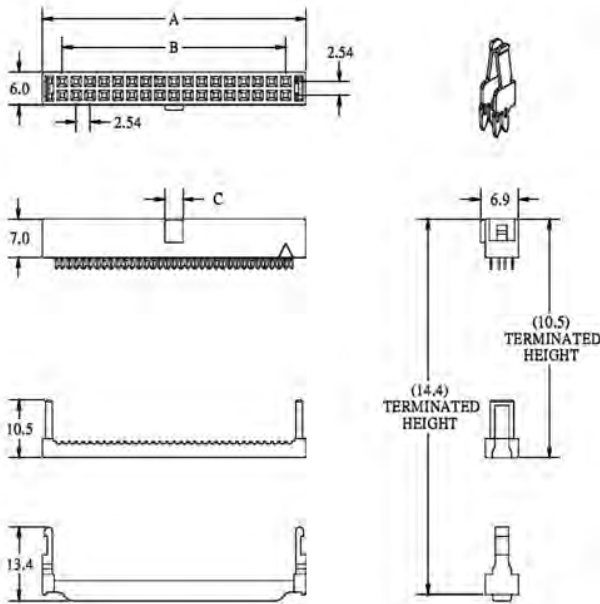
"B" BLACK

"A" GRAY

**1.27MM PITCH FLAT CABLE  
WITH 2.54MM IDC SOCKET WITH S.R. (H=14.4MM) TO DIP PLUG (H=5.4MM) (G5)**



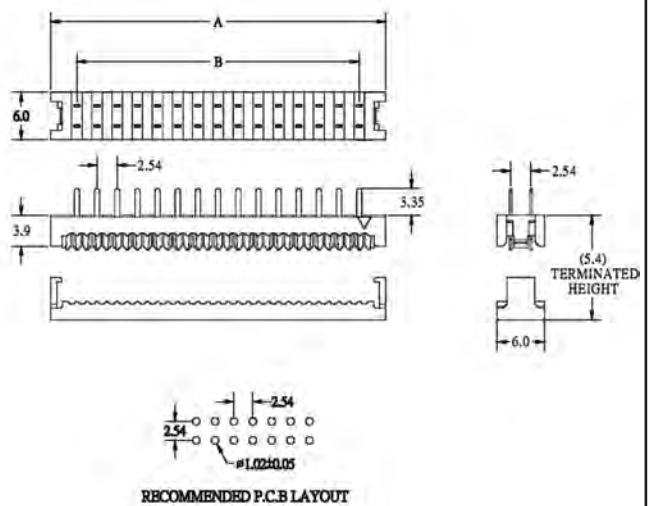
**2.54MM IDC SOCKET  
WITH DUAL U-SLOT & DUAL CONTACT**



A=B+7.24  
 B=2.54\*POSITIONS/2-2.54  
 C=1.85 FOR 6 & 8 POSITIONS  
 C=3.50 FOR 10~64 POSITIONS

NO. OF CONTACTS:  
 006, 008, 010, 012, 014,  
 016, 020, 024, 026, 030,  
 034, 040, 050, 060, 064

**2.54MM LOW PROFILE DIP PLUG**



A=B+6.64  
 B=2.54\*POSITIONS/2-2.54

NO. OF CONTACTS:  
 006, 008, 010, 012, 014,  
 016, 020, 024, 026, 030,  
 032, 034, 040, 050, 060,  
 064

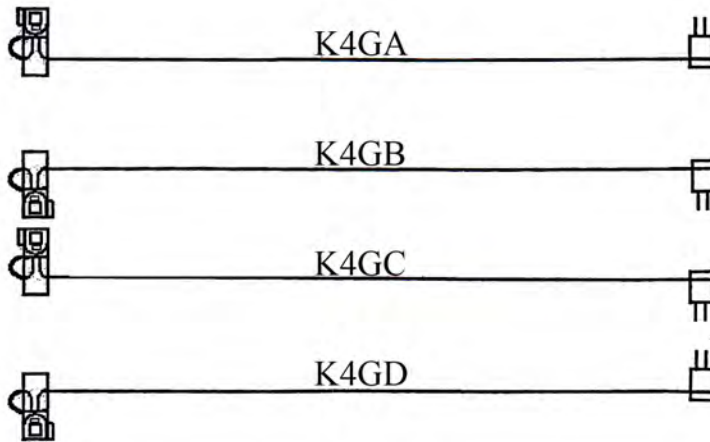
**ORDERING INFORMATION:**

**P/N K 1 2 3 4**

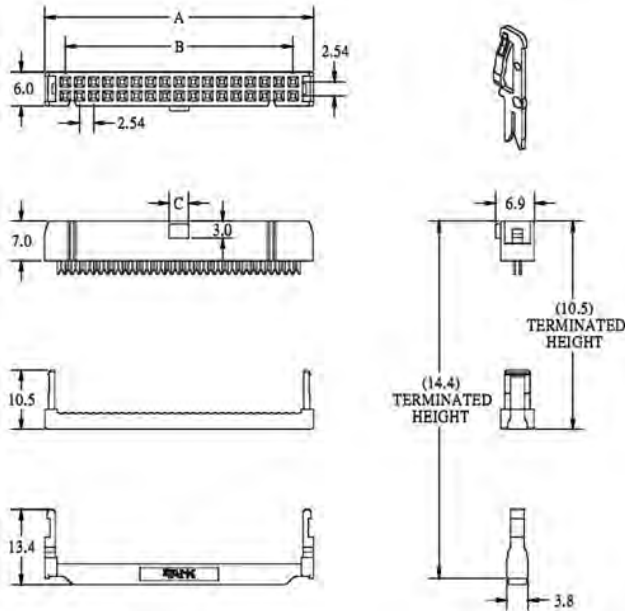
1. CONSTRUCTION TYPE:  
4SN, 4SP, 4SQ, 4SR
2. NO. OF CONTACTS:  
006~064
3. LENGTH IN CM (CENTIMETERS)
4. COLOR OF TWO IDC CONNECTORS:  
"B" BLACK

NOTE: IDC SOCKET & DIP PLUG CAN'T BE SUPPLIED ALONE.

**1.27MM PITCH FLAT CABLE  
WITH 2.54MM IDC SOCKET (H=14.4MM) TO DIP PLUG (H=5.4MM) (G6)**



**2.54MM IDC SOCKET  
WITH SLIM STRAIN RELIEF H=14.4MM**



$A=B+7.24$

$B=2.54 \times \text{POSITIONS} / 2 - 2.54$

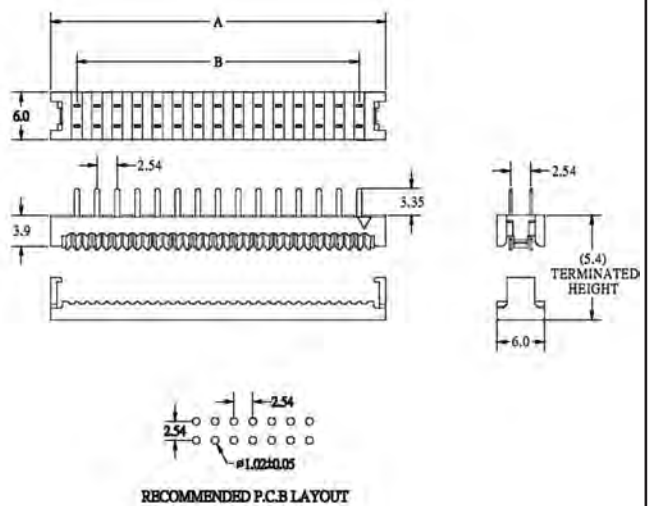
$C=1.85$  FOR 4~8 POSITIONS

$C=3.50$  FOR 10~64 POSITIONS

NO. OF CONTACTS:

004, 006, 008, 010, 012, 014, 016, 020, 024, 026, 030, 034, 036, 040, 044, 050, 056, 060, 062, 064

**2.54MM SUPER LOW PROFILE DIP PLUG  
H=5.4MM**



$A=B+6.64$

$B=2.54 \times \text{POSITIONS} / 2 - 2.54$

NO. OF CONTACTS:

006, 008, 010, 012, 014, 016, 020, 024, 026, 030, 032, 034, 040, 050, 060, 064

**ORDERING INFORMATION:**

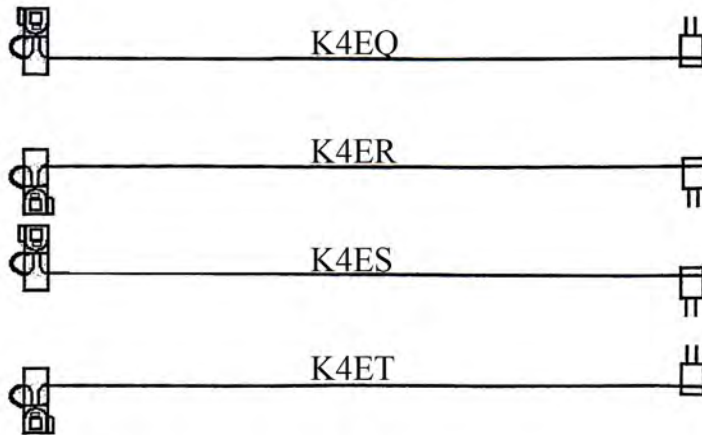
**P/N K  $\frac{x}{1} \frac{x}{2} \frac{x}{3} \frac{x}{4} - \frac{x}{3} \frac{x}{4} C M \frac{x}{4}$**

1. CONSTRUCTION TYPE:  
4GA, 4GB, 4GC, 4GD
2. NO. OF CONTACTS:  
006~064
3. LENGTH IN CM (CENTIMETERS)
4. COLOR OF TWO IDC CONNECTORS:  
"B" BLACK  
"A" GRAY

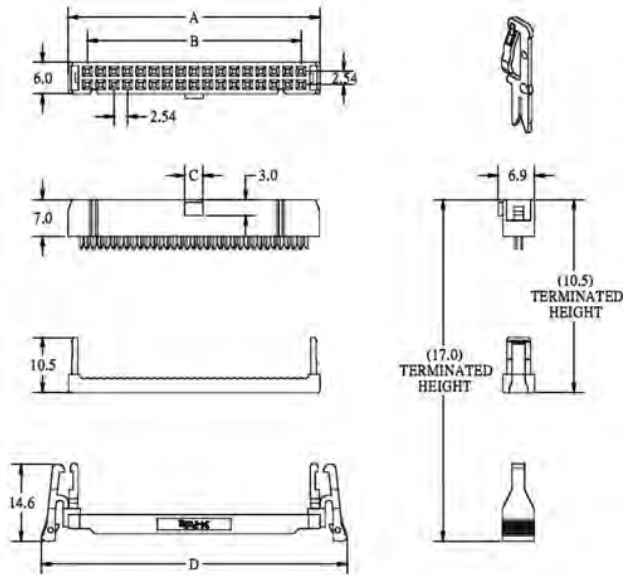
NOTE: IDC SOCKET & DIP PLUG CAN'T BE SUPPLIED ALONE.



**1.27MM PITCH FLAT CABLE  
WITH 2.54MM IDC SOCKET (H=17.0MM) TO DIP PLUG (H=5.4MM) (G7)**



**2.54MM IDC SOCKET  
WITH SPRING LATCH & STRAIN RELIEF**



$A=B+7.24$

$B=2.54*POSITIONS/2-2.54$

$C=1.85$  FOR 6 & 8 POSITIONS

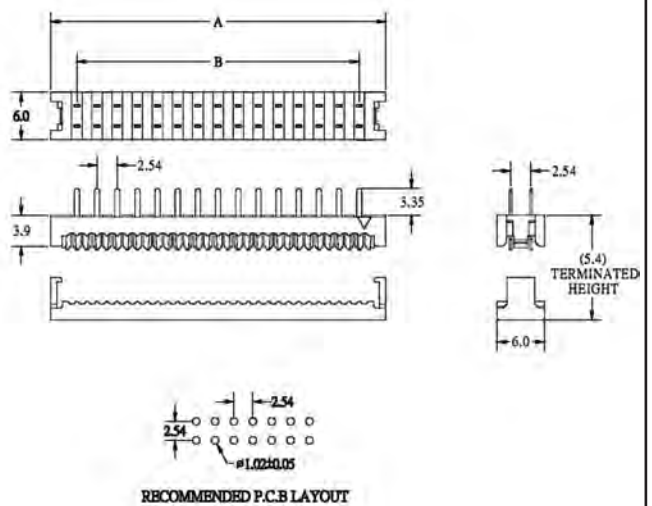
$C=3.50$  FOR 10~64 POSITIONS

$D=B+17.62$

NO. OF CONTACTS:

006, 008, 010, 012, 014,  
016, 020, 024, 026, 030,  
034, 036, 040, 044, 050,  
056, 060, 062, 064

**2.54MM SUPER LOW PROFILE DIP PLUG  
H=5.4MM**



$A=B+6.64$

$B=2.54*POSITIONS/2-2.54$

NO. OF CONTACTS:

006, 008, 010, 012, 014,  
016, 020, 024, 026, 030,  
032, 034, 040, 050, 060,  
064

**ORDERING INFORMATION:**

**P/N K 1 2 3 4**

1. CONSTRUCTION TYPE:

4EQ, 4ER, 4ES, 4ET

2. NO. OF CONTACTS:

006~064

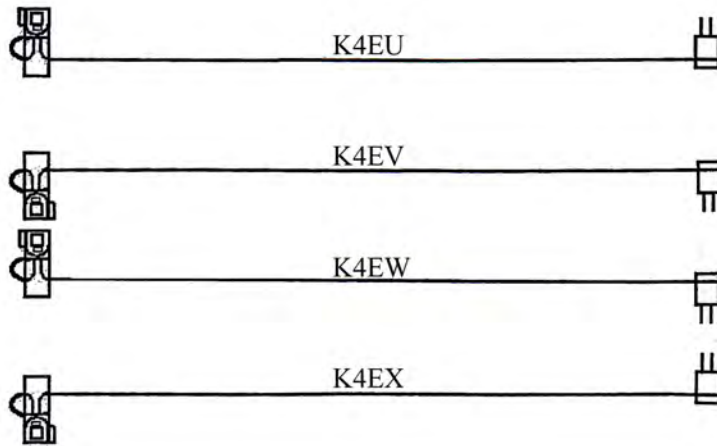
3. LENGTH IN CM (CENTIMETERS)

4. COLOR OF TWO IDC CONNECTORS:

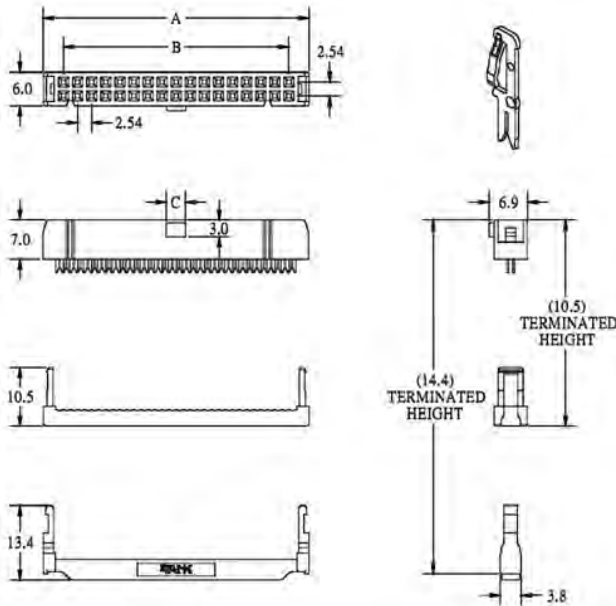
"B" BLACK

NOTE: IDC SOCKET & DIP PLUG CAN'T BE SUPPLIED ALONE.

**1.27MM PITCH FLAT CABLE  
WITH 2.54MM IDC SOCKET (H=14.4MM) TO DIP PLUG (H=6.0MM) (G8)**



**2.54MM IDC SOCKET  
WITH SLIM STRAIN RELIEF H=14.4MM**



$A=B+7.24$

$B=2.54 \times \text{POSITIONS} / 2 - 2.54$

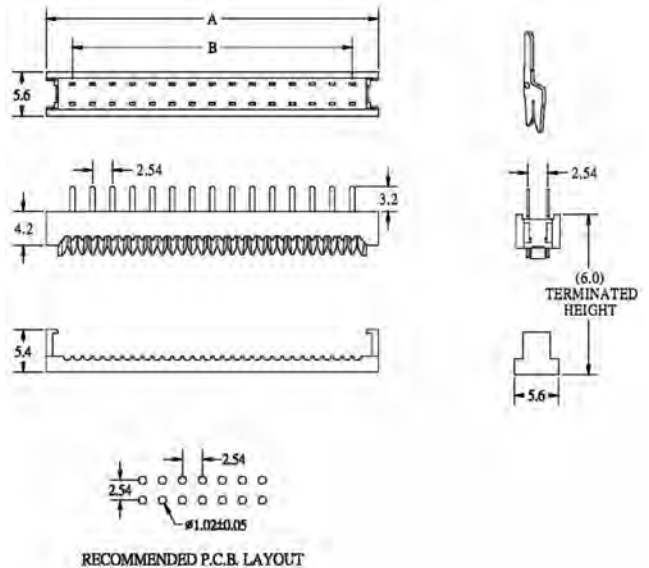
$C=1.85$  FOR 4~8 POSITIONS

$C=3.50$  FOR 10~64 POSITIONS

NO. OF CONTACTS:

004, 006, 008, 010, 012,  
014, 016, 020, 024, 026,  
030, 034, 036, 040, 044,  
050, 056, 060, 062, 064

**2.54MM PITCH DIP PLUG H=6.0MM**



$A=B+6.64$

$B=2.54 \times \text{POSITIONS} / 2 - 2.54$

NO. OF CONTACTS:

006, 008, 010, 012, 014,  
016, 020, 024, 026, 030,  
032, 034, 040, 050, 060,  
064

**ORDERING INFORMATION:**

**P/N** K 1 2 3 4 C M B

1. CONSTRUCTION TYPE:

4EU, 4EV, 4EW, 4EX

2. NO. OF CONTACTS:

006~064

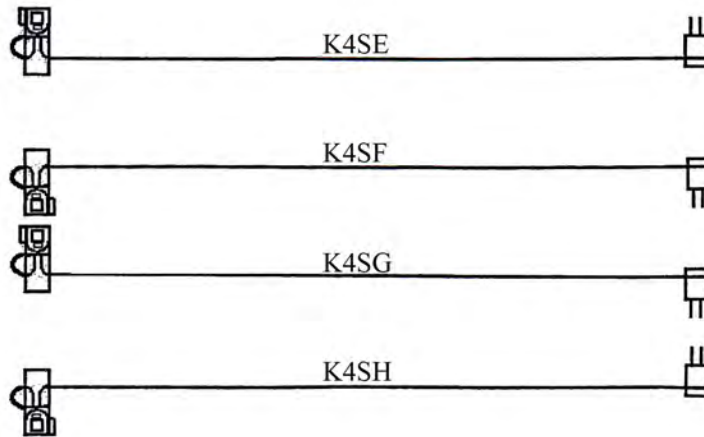
3. LENGTH IN CM (CENTIMETERS)

4. COLOR OF TWO IDC CONNECTORS:

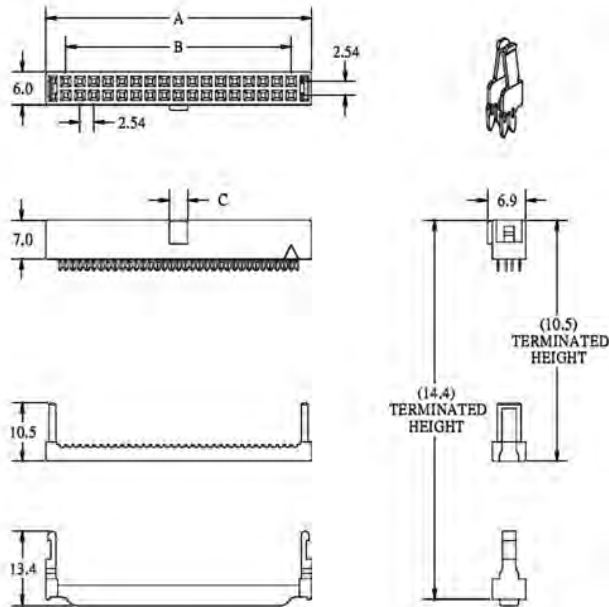
"B" BLACK

NOTE: IDC SOCKET & DIP PLUG CAN'T BE SUPPLIED ALONE.

**1.27MM PITCH FLAT CABLE  
WITH 2.54MM IDC SOCKET WITH S.R. (H=14.4MM) TO DIP PLUG (H=6.0MM) (G9)**



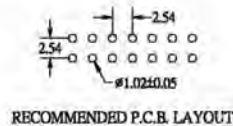
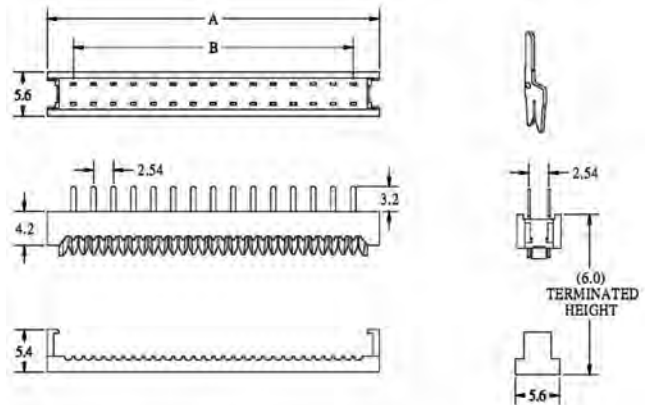
**2.54MM IDC SOCKET  
WITH DUAL U-SLOT & DUAL CONTACT**



A=B+7.24  
 B=2.54\*POSITIONS/2-2.54  
 C=1.85 FOR 6 & 8 POSITIONS  
 C=3.50 FOR 10~64 POSITIONS

NO. OF CONTACTS:  
 006, 008, 010, 012, 014,  
 016, 020, 024, 026, 030,  
 034, 040, 050, 060, 064

**2.54MM PITCH DIP PLUG H=6.0MM**



A=B+6.64  
 B=2.54\*POSITIONS/2-2.54

NO. OF CONTACTS:  
 006, 008, 010, 012, 014,  
 016, 020, 024, 026, 030,  
 032, 034, 040, 050, 060,  
 064

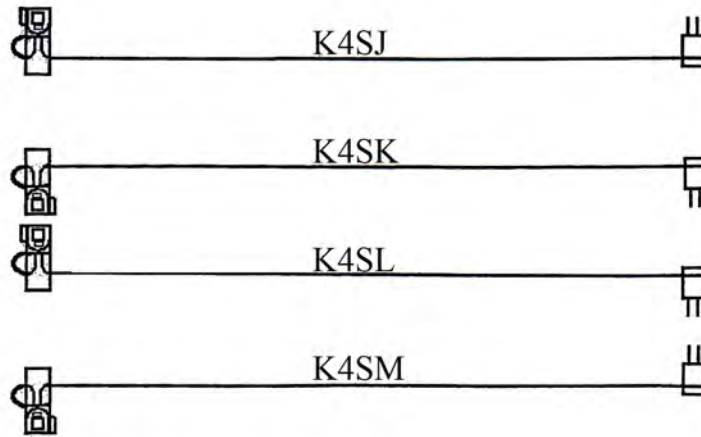
**ORDERING INFORMATION:**

**P/N K 1 2 3 4 C M B**

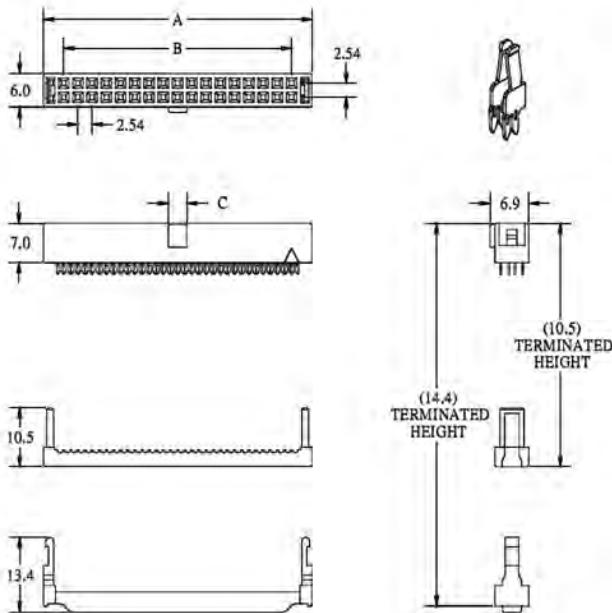
1. CONSTRUCTION TYPE:  
4SE, 4SF, 4SG, 4SH
2. NO. OF CONTACTS:  
006~064
3. LENGTH IN CM (CENTIMETERS)
4. COLOR OF TWO IDC CONNECTORS:  
"B" BLACK

NOTE: IDC SOCKET & DIP PLUG CAN'T BE SUPPLIED ALONE.

**1.27MM PITCH FLAT CABLE  
WITH 2.54MM IDC SOCKET WITH S.R. (H=14.4MM) TO DIP PLUG (H=6.0MM) (G10)**



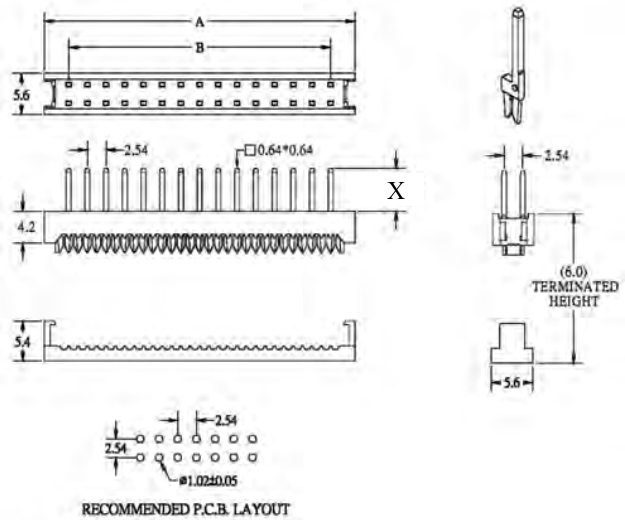
**2.54MM IDC SOCKET  
WITH DUAL U-SLOT & DUAL CONTACT**



A=B+  
 B=2.54\*POSITIONS/2-2.54  
 C=1.85 FOR 6 & 8 POSITIONS  
 C=3.50 FOR 10~64 POSITIONS

NO. OF CONTACTS:  
 006, 008, 010, 012, 014,  
 016, 020, 024, 026, 030,  
 034, 040, 050, 060, 064

**2.54MM DIP PLUG WITH 0.64MM SQUARE  
SOLDER TAIL**



A=B+6.64  
 B=2.54\*POSITIONS/2-2.54  
 X=PIN LENGTH

NO. OF CONTACTS:  
 006, 008, 010, 012, 014,  
 016, 020, 024, 026, 030,  
 032, 034, 040, 050, 060,  
 064

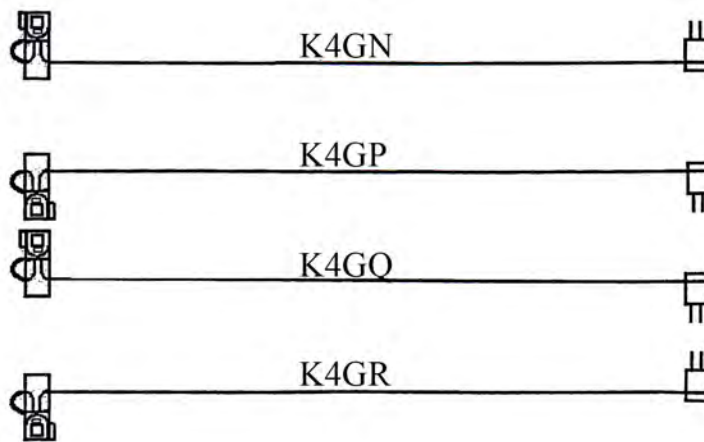
**ORDERING INFORMATION:**

**P/N K 1 2 3 4 5 - 3 4 5 C M B X**

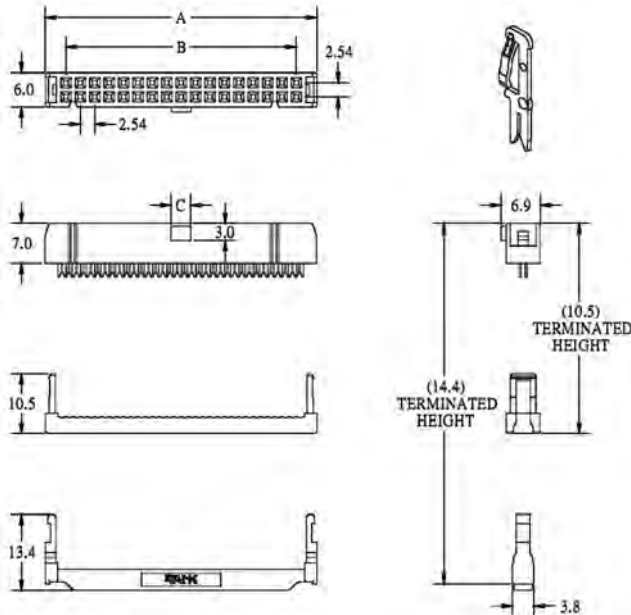
- CONSTRUCTION TYPE:  
4SJ, 4SK, 4SL, 4SM
- NO. OF CONTACTS:  
006~064
- LENGTH IN CM (CENTIMETERS)
- COLOR OF TWO IDC CONNECTORS:  
"B" BLACK
- PIN LENGTH OF DIP PLUG:  
"6" X= 5.85MM (STANDARD)  
"T" X= 12.0MM

NOTE: IDC SOCKET & DIP PLUG CAN'T BE SUPPLIED ALONE.

**1.27MM PITCH FLAT CABLE WITH 2.54MM IDC SOCKET (H=14.4MM) TO DIP PLUG (H=6.0MM) (G11)**



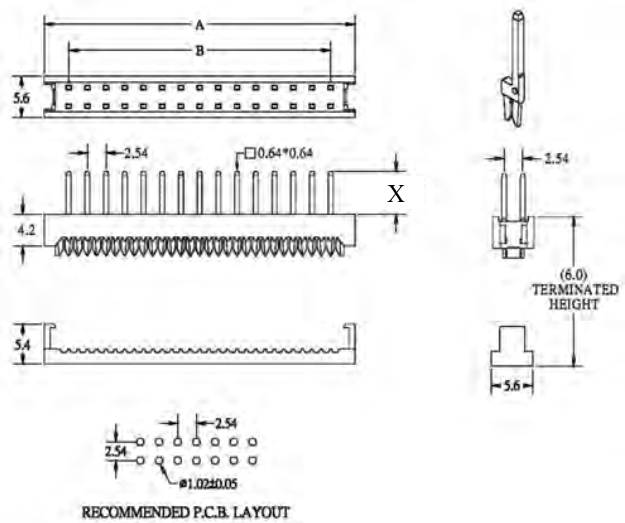
**2.54MM IDC SOCKET WITH SLIM STRAIN RELIEF**



A=B+7.24  
 B=2.54\*POSITIONS/2-2.54  
 C=1.85 FOR 4~8 POSITIONS  
 C=3.50 FOR 10~64 POSITIONS

NO. OF CONTACTS:  
 004, 006, 008, 010, 012,  
 014, 016, 020, 024, 026,  
 030, 034, 036, 040, 044,  
 050, 056, 060, 062, 064

**2.54MM DIP PLUG WITH 0.64MM SQUARE TAIL H=6.0MM**



A=B+6.64  
 B=2.54\*POSITIONS/2-2.54  
 X=PIN LENGTH

NO. OF CONTACTS:  
 006, 008, 010, 012, 014,  
 016, 020, 024, 026, 030,  
 032, 034, 040, 050, 060,  
 064

**ORDERING INFORMATION:**

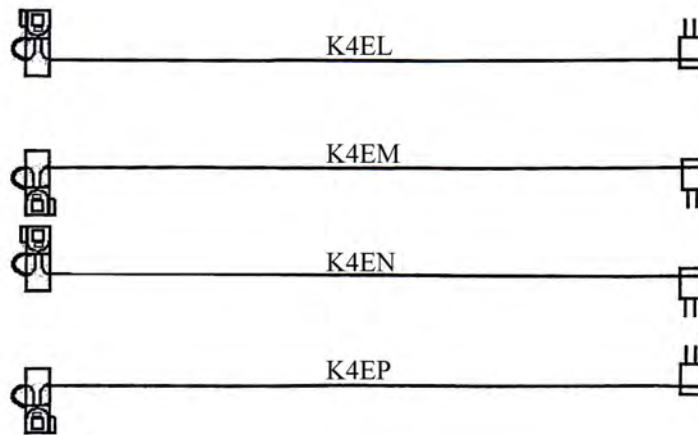
**P/N** **K** **x x x x x x** - **x x** **C** **M** **B** **x**  
 1 2 3 4 5

1. CONSTRUCTION TYPE:  
4GN, 4GP, 4GQ, 4GR
2. NO. OF CONTACTS:  
006~064
3. LENGTH IN CM (CENTIMETERS)
4. COLOR OF TWO IDC CONNECTORS:  
"B" BLACK

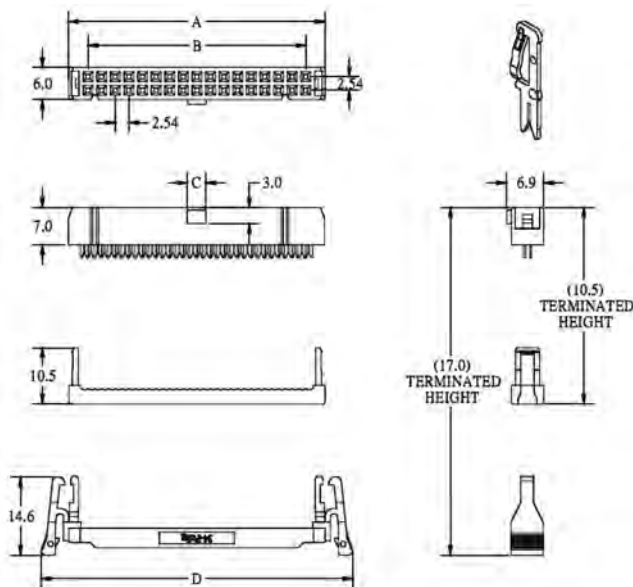
5. PIN LENGTH OF DIP PLUG:  
"6" X= 5.85MM (STANDARD)  
"T" X= 12.0MM

NOTE: IDC SOCKET & DIP PLUG CAN'T BE SUPPLIED ALONE.

**1.27MM PITCH FLAT CABLE  
WITH 2.54MM IDC SOCKET (H=17.0MM) TO DIP PLUG (H=6.0MM) (G12)**



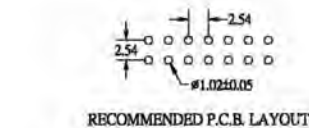
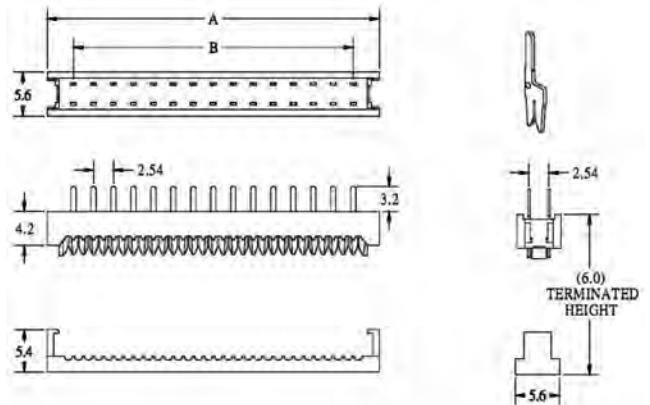
**2.54MM IDC SOCKET  
WITH SPRING LATCH & STRAIN RELIEF**



A=B+7.24  
 B=2.54\*POSITIONS/2-2.54  
 C=1.85 FOR 6 & 8 POSITIONS  
 C=3.50 FOR 10~64 POSITIONS  
 D=B+17.62

NO. OF CONTACTS:  
 006, 008, 010, 012, 014,  
 016, 020, 024, 026, 030,  
 034, 036, 040, 044, 050,  
 056, 060, 062, 064

**2.54MM DIP PLUG H=6.0MM**



A=B+6.64  
 B=2.54\*POSITIONS/2-2.54

NO. OF CONTACTS:  
 006, 008, 010, 012, 014,  
 016, 020, 024, 026, 030,  
 032, 034, 040, 050, 060,  
 064

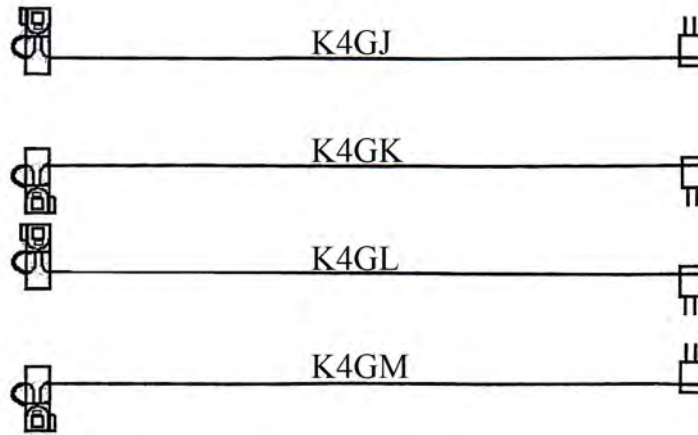
**ORDERING INFORMATION:**

**P/N K 1 2 3 4**

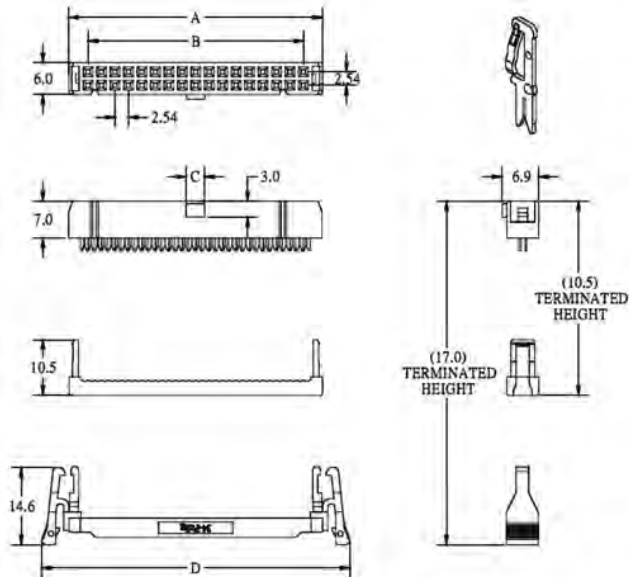
1. CONSTRUCTION TYPE:  
4EL, 4EM, 4EN, 4EP
2. NO. OF CONTACTS:  
006~064
3. LENGTH IN CM (CENTIMETERS)
4. COLOR OF TWO IDC CONNECTORS:  
"B" BLACK

NOTE: IDC SOCKET & DIP PLUG CAN'T BE SUPPLIED ALONE.

**1.27MM PITCH FLAT CABLE  
WITH 2.54MM IDC SOCKET (H=17.0MM) TO DIP PLUG (H=6.0MM) (G13)**



**2.54MM IDC SOCKET  
WITH SPRING LATCH & STRAIN RELIEF**



$A=B+7.24$

$B=2.54 \times \text{POSITIONS} / 2 - 2.54$

$C=1.85$  FOR 6 & 8 POSITIONS

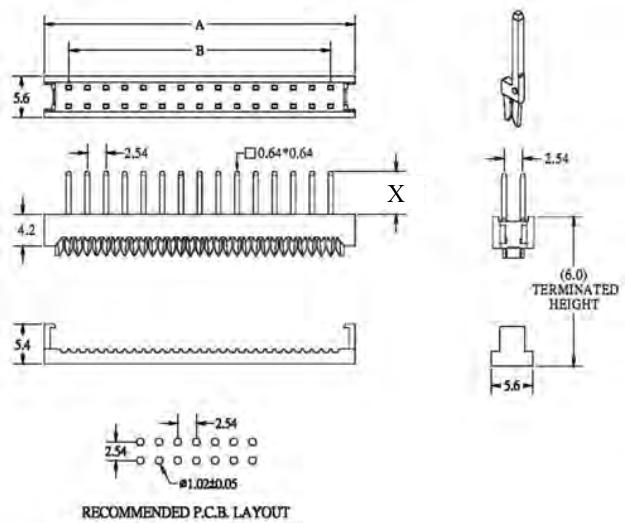
$C=3.50$  FOR 10~64 POSITIONS

$D=B+17.62$

NO. OF CONTACTS:

006, 008, 010, 012, 014,  
016, 020, 024, 026, 030,  
034, 036, 040, 044, 050,  
056, 060, 062, 064

**2.54MM DIP PLUG WITH 0.64MM SQUARE  
TAIL H=6.0MM**



$A=B+6.64$

$B=2.54 \times \text{POSITIONS} / 2 - 2.54$

$X=\text{PIN LENGTH}$

NO. OF CONTACTS:

006, 008, 010, 012, 014,  
016, 020, 024, 026, 030,  
032, 034, 040, 050, 060,  
064

**ORDERING INFORMATION:**

**P/N** **K** **x** **x** **x** **x** **x** **x** - **x** **x** **C** **M** **B** **x**

1            2            3            4 5

1. CONSTRUCTION TYPE:

4GJ, 4GK, 4GL, 4GM

2. NO. OF CONTACTS:

006~064

3. LENGTH IN CM (CENTIMETERS)

4. COLOR OF TWO IDC CONNECTORS:

"B" BLACK

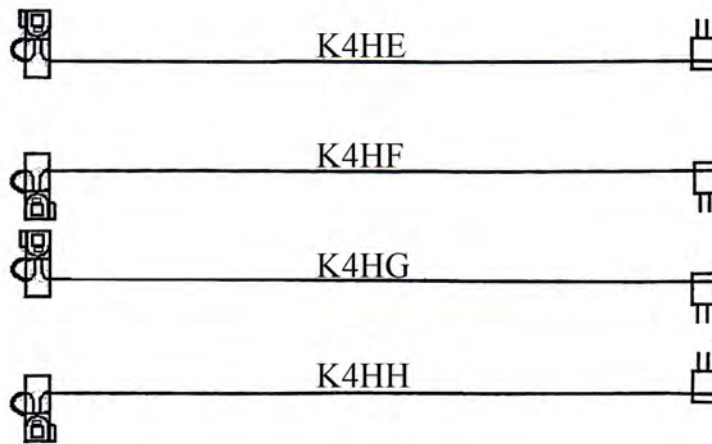
5. PIN LENGTH OF DIP PLUG:

"6" X= 5.85MM (STANDARD)

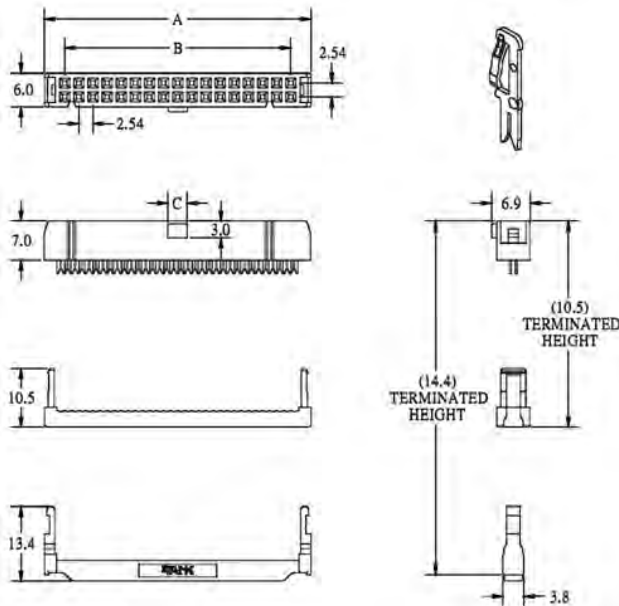
"T" X= 12.0MM

NOTE: IDC SOCKET & DIP PLUG CAN'T BE SUPPLIED ALONE.

**1.27MM PITCH FLAT CABLE  
WITH 2.54MM IDC SOCKET (H=14.4MM) TO DIP PLUG (H=7.85MM) (G14)**



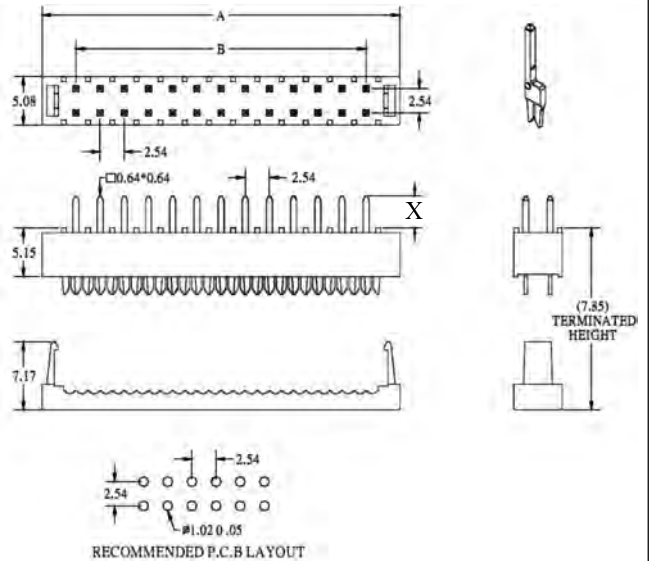
**2.54MM IDC SOCKET  
WITH SLIM STRAIN RELIEF H=14.4MM**



A=B+7.24  
B=2.54\*POSITIONS/2-2.54  
C=1.85 FOR 4~8 POSITIONS  
C=3.50 FOR 10~64 POSITIONS

NO. OF CONTACTS:  
004, 006, 008, 010, 012,  
014, 016, 020, 024, 026,  
030, 034, 036, 040, 044,  
050, 056, 060, 062, 064

**2.54MM DIP PLUG WITH 0.64MM SQUARE  
TAIL H=7.85MM**



A=B+7.11  
B=2.54\*POSITIONS/2-2.54  
X=PIN LENGTH

NO. OF CONTACTS:  
006, 008, 010, 012, 014,  
016, 020, 024, 026, 030,  
034, 040, 050, 060, 064

**ORDERING INFORMATION:**

**P/N K 1 2 3 4 5 C M B X**

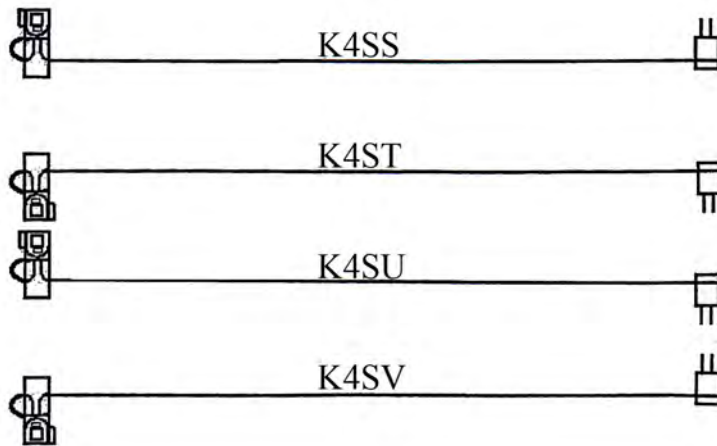
1. CONSTRUCTION TYPE:  
4HE, 4HF, 4HG, 4HH
2. NO. OF CONTACTS:  
006~064
3. LENGTH IN CM (CENTIMETERS)
4. COLOR OF TWO IDC CONNECTORS:  
"B" BLACK

5. PIN LENGTH OF DIP PLUG:  
"3" X= 3.10MM (STANDARD)  
"6" X= 5.95MM

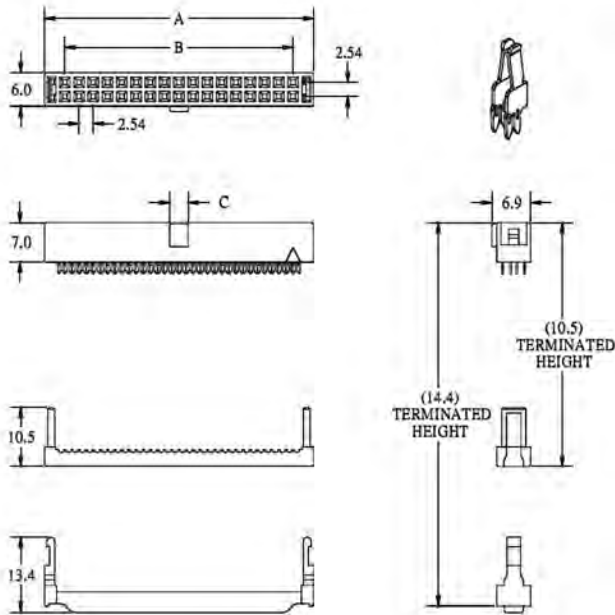
NOTE: IDC SOCKET & DIP PLUG CAN'T BE SUPPLIED ALONE.



**1.27MM PITCH FLAT CABLE  
WITH 2.54MM IDC SOCKET WITH S.R. (H=14.4MM) TO DIP PLUG (H=7.85MM) (G15)**



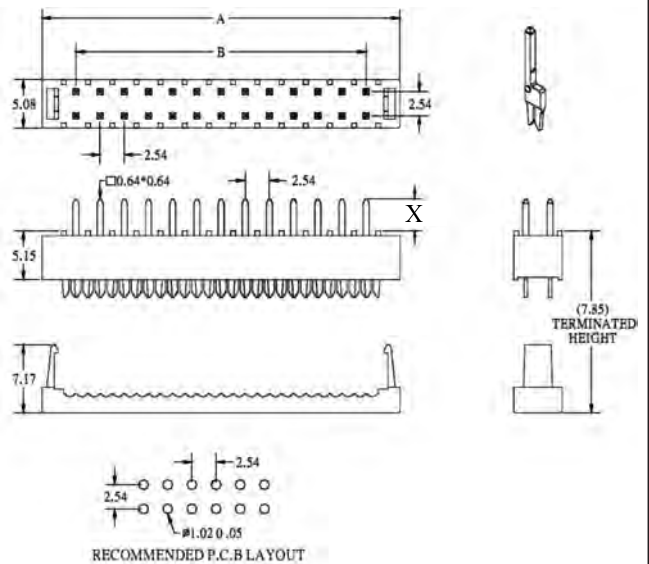
**2.54MM IDC SOCKET  
WITH DUAL U-SLOT & DUAL CONTACT**



A=B+  
 B=2.54\*POSITIONS/2-2.54  
 C=1.85 FOR 6 & 8 POSITIONS  
 C=3.50 FOR 10~64 POSITIONS

NO. OF CONTACTS:  
 006, 008, 010, 012, 014,  
 016, 020, 024, 026, 030,  
 034, 040, 050, 060, 064

**2.54MM DIP PLUG WITH 0.64MM SQUARE  
SOLDER TAIL**



A=B+7.11  
 B=2.54\*POSITIONS/2-2.54  
 X=PIN LENGTH

NO. OF CONTACTS:  
 006, 008, 010, 012, 014,  
 016, 020, 024, 026, 030,  
 034, 040, 050, 060, 064

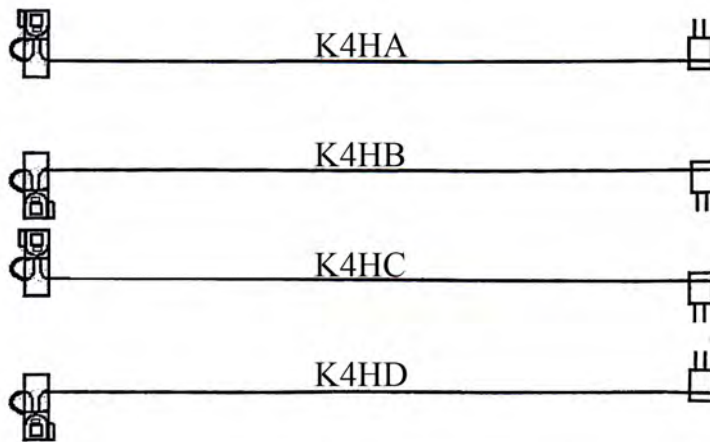
**ORDERING INFORMATION:**

**P/N K 1 2 3 4 5 C M B X**

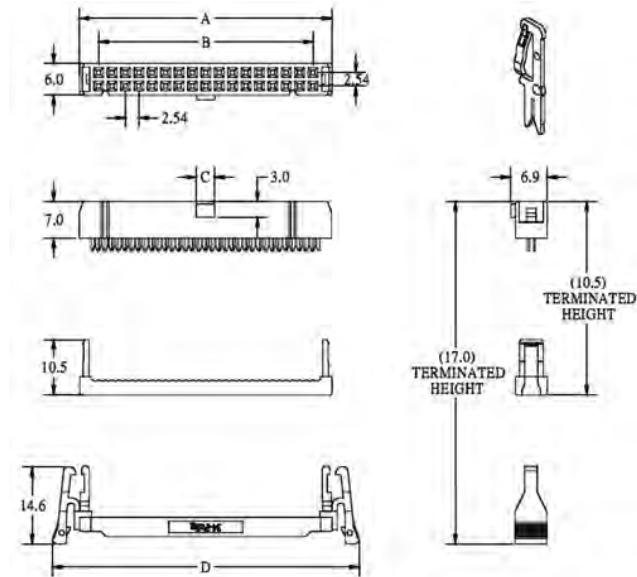
- CONSTRUCTION TYPE:  
4SS, 4ST, 4SU, 4SV
- NO. OF CONTACTS:  
006~064
- LENGTH IN CM (CENTIMETERS)
- COLOR OF TWO IDC CONNECTORS:  
"B" BLACK
- PIN LENGTH OF DIP PLUG:  
"3" X= 3.10MM (STANDARD)  
"6" X= 5.95MM

NOTE: IDC SOCKET & DIP PLUG CAN'T BE SUPPLIED ALONE.

**1.27MM PITCH FLAT CABLE  
WITH 2.54MM IDC SOCKET (H=17.0MM) TO DIP PLUG (H=7.85MM) (G16)**



**2.54MM IDC SOCKET  
WITH SPRING LATCH & STRAIN RELIEF**



$A=B+7.24$

$B=2.54 * \text{POSITIONS} / 2 - 2.54$

$C=1.85$  FOR 6 & 8 POSITIONS

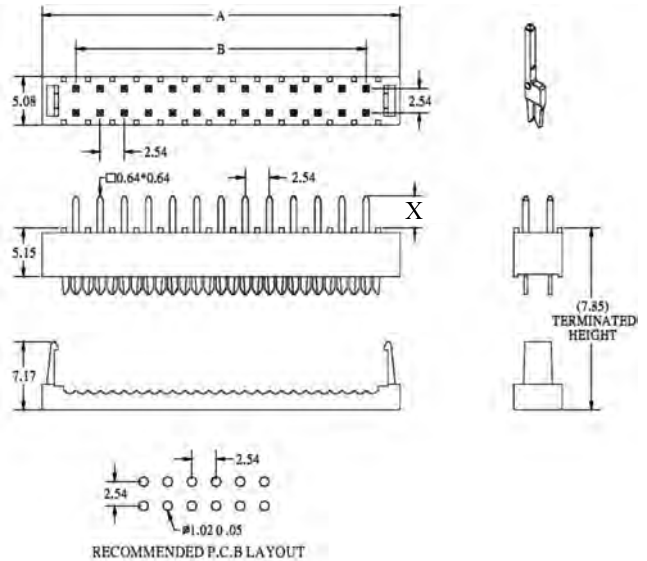
$C=3.50$  FOR 10~64 POSITIONS

$D=B+17.62$

NO. OF CONTACTS:

006, 008, 010, 012, 014,  
016, 020, 024, 026, 030,  
034, 036, 040, 044, 050,  
056, 060, 062, 064

**2.54MM DIP PLUG WITH 0.64MM SQUARE  
TAIL H=7.85MM**



$A=B+7.11$

$B=2.54 * \text{POSITIONS} / 2 - 2.54$

X=PIN LENGTH

NO. OF CONTACTS:

006, 008, 010, 012, 014,  
016, 020, 024, 026, 030,  
034, 040, 050, 060, 064

**ORDERING INFORMATION:**

**P/N K 1 2 3 4 5 C M B X**

1. CONSTRUCTION TYPE:

4HA, 4HB, 4HC, 4HD

2. NO. OF CONTACTS:

006~064

3. LENGTH IN CM (CENTIMETERS)

4. COLOR OF TWO IDC CONNECTORS:

"B" BLACK

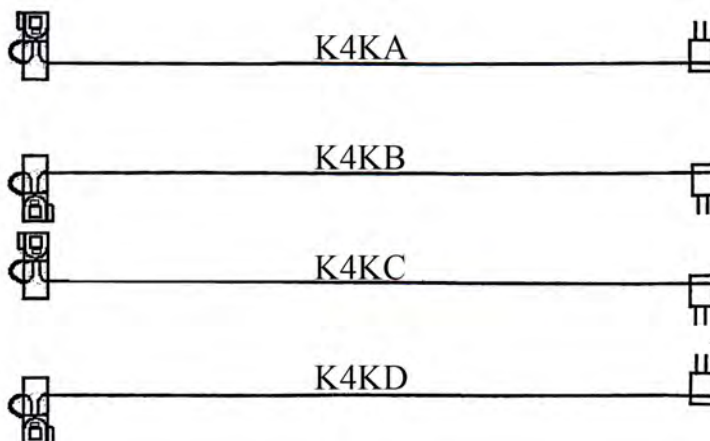
5. PIN LENGTH OF DIP PLUG:

"3" X= 3.10MM (STANDARD)

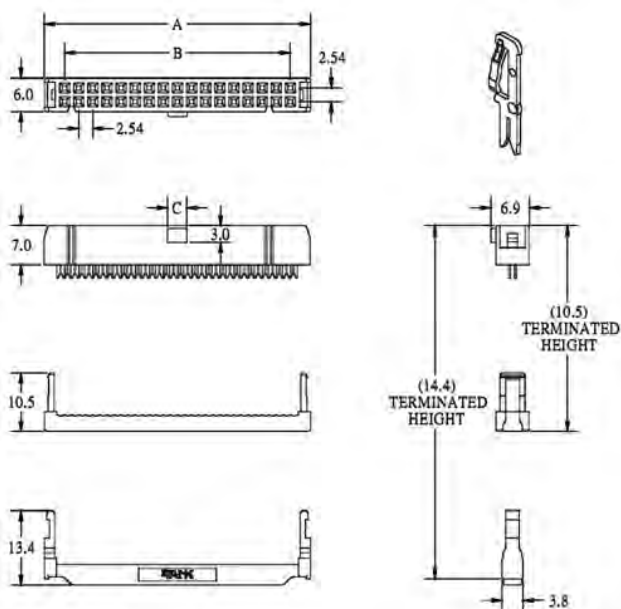
"6" X= 5.95MM

NOTE: IDC SOCKET & DIP PLUG CAN'T BE SUPPLIED ALONE.

**1.27MM PITCH FLAT CABLE  
WITH 2.54MM IDC SOCKET (H=14.4MM) TO DIP PLUG (H=10.77MM) (G17)**



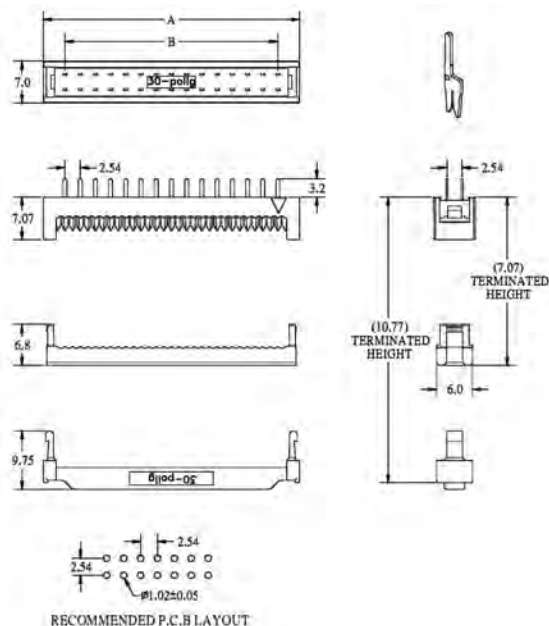
**2.54MM IDC SOCKET  
WITH SLIM STRAIN RELIEF**



A=B+7.24  
B=2.54\*POSITIONS/2-2.54  
C=1.85 FOR 4~8 POSITIONS  
C=3.50 FOR 10~64 POSITIONS

NO. OF CONTACTS:  
004, 006, 008, 010, 012,  
014, 016, 020, 024, 026,  
030, 034, 036, 040, 044,  
050, 056, 060, 062, 064

**2.54MM DIP PLUG WITH STRAIN RELIEF  
DIP=3.2MM**



A=B+7.24  
B=2.54\*POSITIONS/2-2.54

NO. OF CONTACTS:  
006, 008, 010, 012, 014,  
016, 020, 024, 026, 030,  
032, 034, 040, 050, 060,  
064

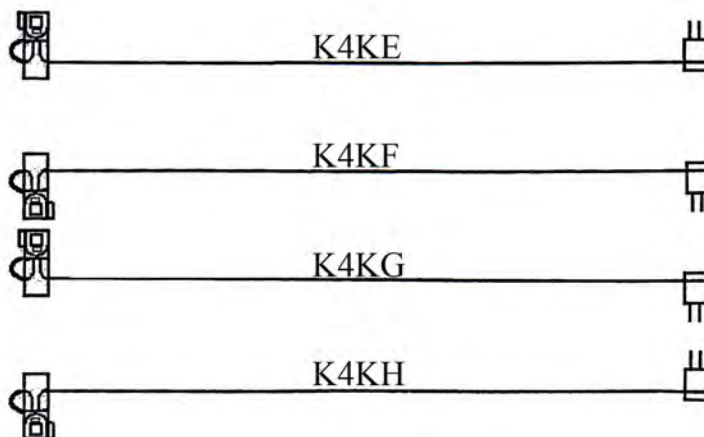
**ORDERING INFORMATION:**

**P/N K 1 2 3 4 C M B**

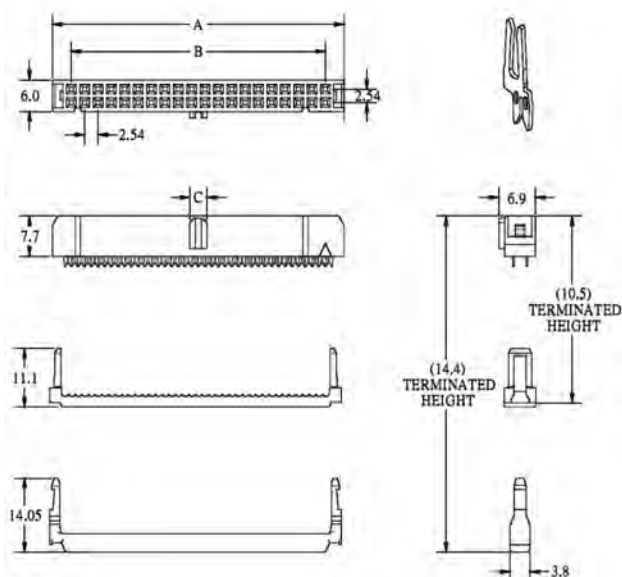
1. CONSTRUCTION TYPE:  
4KA, 4KB, 4KC, 4KD
2. NO. OF CONTACTS:  
006~064
3. LENGTH IN CM (CENTIMETERS)
4. COLOR OF TWO IDC CONNECTORS:  
"B" BLACK

NOTE: IDC SOCKET & DIP PLUG CAN'T BE SUPPLIED ALONE.

**1.27MM PITCH FLAT CABLE WITH 2.54MM IDC SOCKET  
(DUAL WIPE CONTACT & H=14.4MM) TO DIP PLUG (H=10.77MM) (G18)**



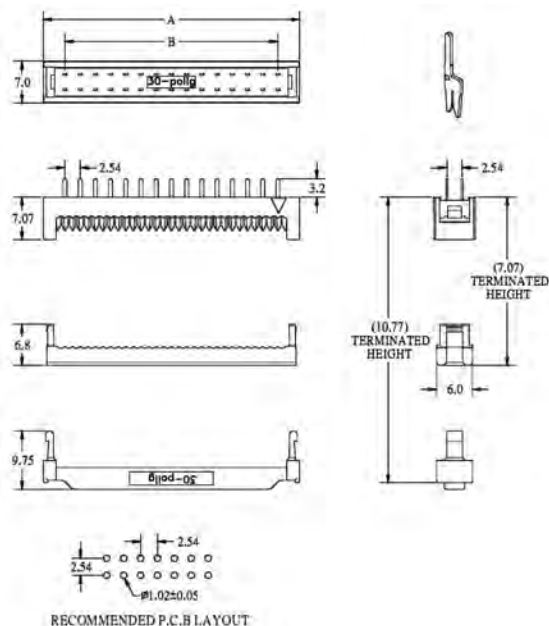
**2.54MM IDC SOCKET  
WITH DUAL WIPE CONTACT & STRAIN RELIEF**



A=B+7.12  
 B=2.54\*POSITIONS/2-2.54  
 C=1.85 FOR 6 & 8 POSITIONS  
 C=3.30 FOR 10~64 POSITIONS

NO. OF CONTACTS:  
 006, 008, 010, 012, 014,  
 016, 020, 024, 026, 030,  
 034, 040, 050, 060, 064

**2.54MM DIP PLUG WITH STRAIN RELIEF  
DIP=3.2MM**



A=B+7.24  
 B=2.54\*POSITIONS/2-2.54

NO. OF CONTACTS:  
 006, 008, 010, 012, 014,  
 016, 020, 024, 026, 028,  
 030, 034, 040, 050, 060,  
 064

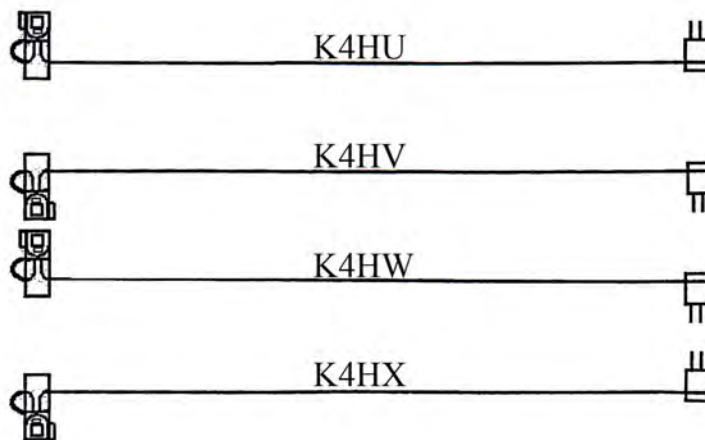
**ORDERING INFORMATION:**

**P/N K 1 2 3 4 C M B**

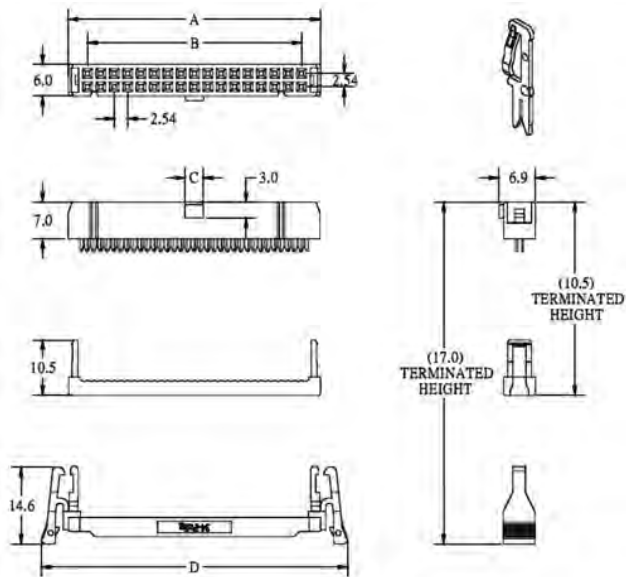
1. CONSTRUCTION TYPE:  
4KE, 4KF, 4KG, 4KH
2. NO. OF CONTACTS:  
006~064
3. LENGTH IN CM (CENTIMETERS)
4. COLOR OF TWO IDC CONNECTORS:  
"B" BLACK

NOTE: IDC SOCKET & DIP PLUG CAN'T BE SUPPLIED ALONE.

**1.27MM PITCH FLAT CABLE  
WITH 2.54MM IDC SOCKET (H=17.0MM) TO DIP PLUG (H=10.77MM) (G19)**



**2.54MM IDC SOCKET  
WITH SPRING LATCH & STRAIN RELIEF**



$A=B+7.24$

$B=2.54 \times \text{POSITIONS} / 2 - 2.54$

$C=1.85$  FOR 6 & 8 POSITIONS

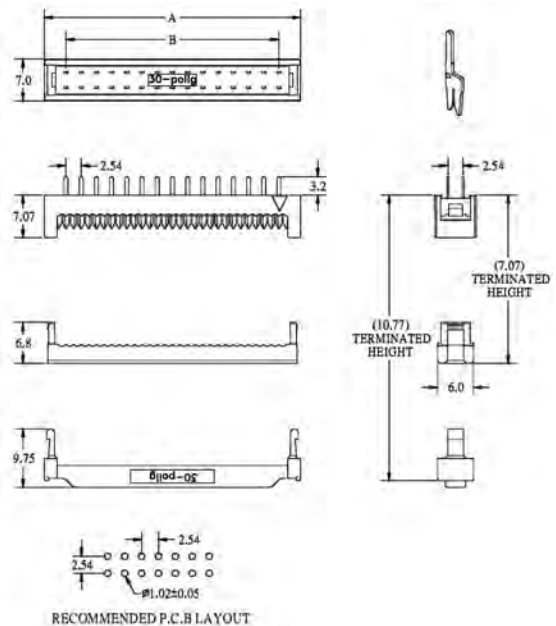
$C=3.50$  FOR 10~64 POSITIONS

$D=B+17.62$

NO. OF CONTACTS:

006, 008, 010, 012, 014,  
016, 020, 024, 026, 030,  
034, 036, 040, 044, 050,  
056, 060, 062, 064

**2.54MM DIP PLUG WITH STRAIN RELIEF  
DIP=3.2MM**



$A=B+7.24$

$B=2.54 \times \text{POSITIONS} / 2 - 2.54$

NO. OF CONTACTS:

006, 008, 010, 012, 014,  
016, 020, 024, 026, 030,  
032, 034, 040, 050, 060,  
064

**ORDERING INFORMATION:**

**P/N** **K** 1 2 3 4 **C M B**

1. CONSTRUCTION TYPE:

4HU, 4HV, 4HW, 4HX

2. NO. OF CONTACTS:

006~064

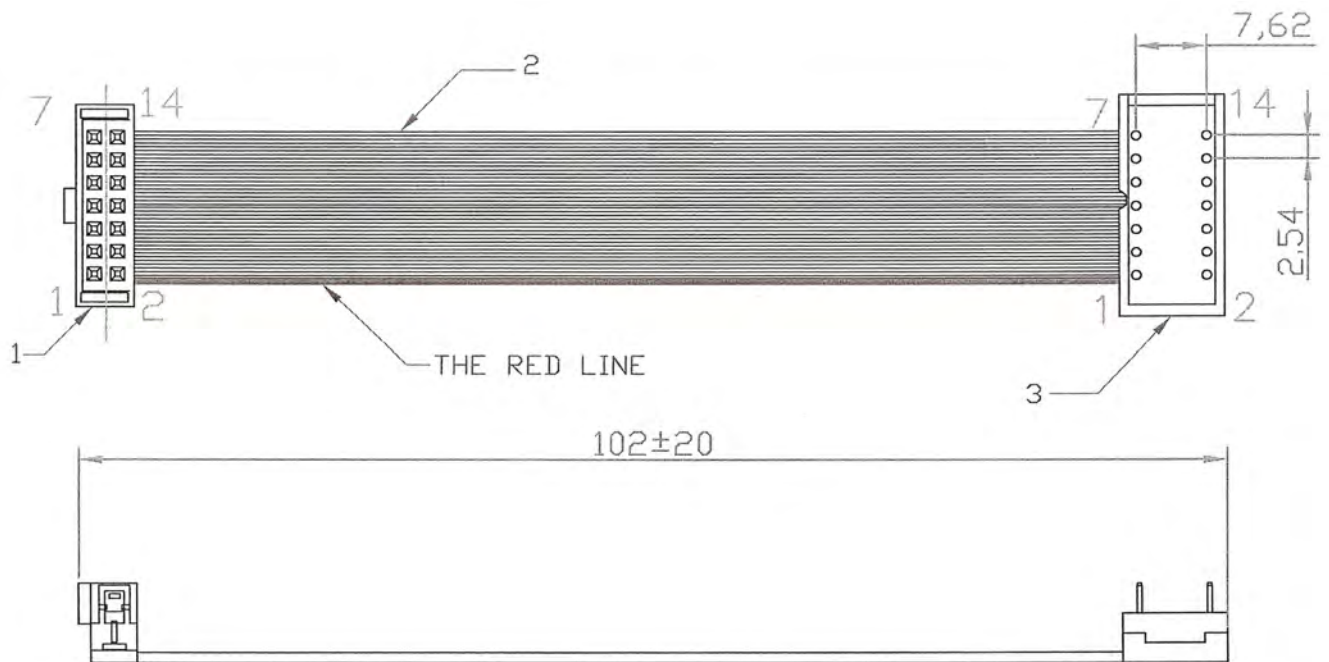
3. LENGTH IN CM (CENTIMETERS)

4. COLOR OF TWO IDC CONNECTORS:

"B" BLACK

NOTE: IDC SOCKET & DIP PLUG CAN'T BE SUPPLIED ALONE.

## 1.27MM PITCH FLAT CABLE WITH 2.54MM IDC SOCKET & DIP PLUG



**KA14LY-10CMB**

### ORDERING INFORMATION:

P/N KA  $\frac{x}{1} \frac{x}{2} \frac{x}{3} \frac{x}{4}$  -  $\frac{x}{3}$   $\frac{x}{4}$  C M  $\frac{x}{4}$

1. NO. OF CONTACTS:

08, 10, 14, 16, 18, 20, 24, 26, 28,  
32, 34, 36, 40

2. CONNECTORS AT 2 ENDS:

"LY" 2.54MM IDC SOCKET TO  
2.54MM(0.1") x 7.62MM(0.3") DIP PLUG

"LZ" 2.54MM IDC SOCKET TO  
2.54MM(0.1") x 15.24MM(0.6") DIP PLUG

3. CABLE LENGTH IN CM (CENTIMETERS)

4. COLOR OF 2 CONNECTORS:

"B" BLACK (STANDARD)

"A" GRAY (OPTIONAL)