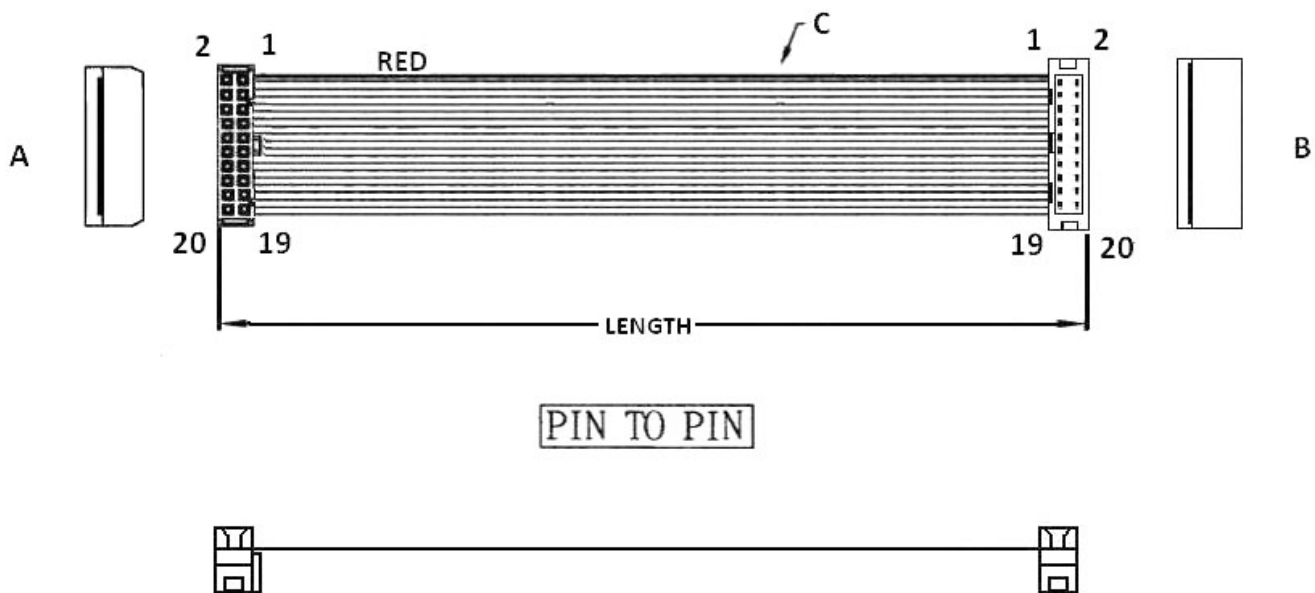


**1.27MM PITCH FLAT CABLE WITH 2.54MM PITCH IDC SOCKET WITHOUT STRAIN RELIEF (H=11.0MM) TO IDC TYPE BOX HEADER (J1)**



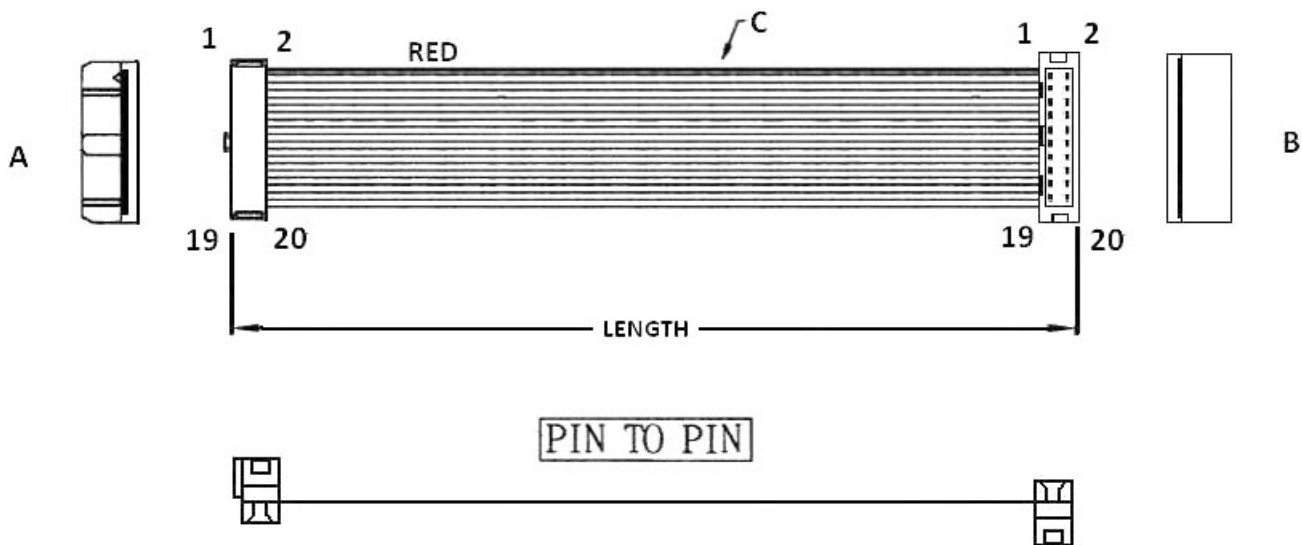
PIN TO PIN

**ORDERING INFORMATION:**

P/N  $\frac{KA}{1} \frac{xx}{2} \frac{KB}{3} - \frac{xx}{4} \frac{CMA}{5}$

1. FLAT CABLE TYPE:  
"KA" 1.27MM AWG28 UL2651 VW-1  
PVC INSULATION GRAY
2. NO. OF CONTACTS:  
10~64
3. CONNECTORS AT TWO ENDS:  
"KB" 2.54MM IDC SOCKET WITHOUT STRAIN RELIEF  
TO 2.54MM IDC TYPE BOX HEADER
4. LENGTH IN CM (CENTIMETERS)
5. COLOR OF TWO IDC CONNECTORS:  
"A" GRAY

**1.27MM PITCH FLAT CABLE WITH 2.54MM PITCH IDC SOCKET WITHOUT STRAIN RELIEF (H=11.0MM) TO IDC TYPE BOX HEADER (J2)**

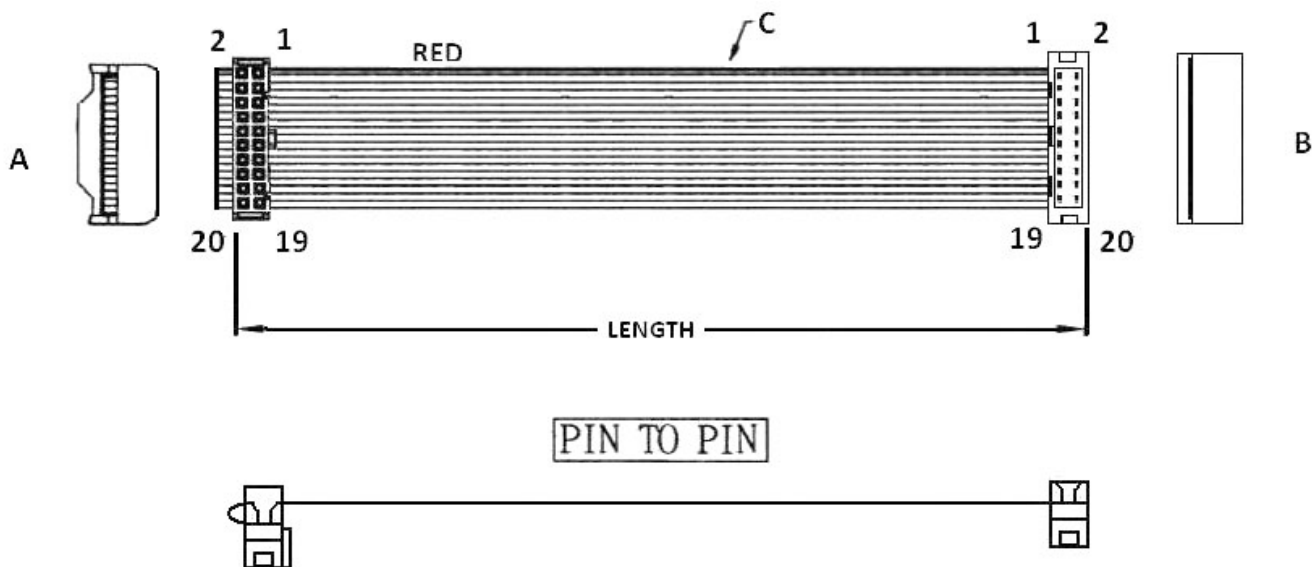


**ORDERING INFORMATION:**

**P/N**  $\frac{\text{KA}}{1} \frac{\text{xx}}{2} \frac{\text{LB}}{3} - \frac{\text{xx}}{4} \text{CMA} \frac{\text{A}}{5}$

1. FLAT CABLE TYPE:  
"KA" 1.27MM AWG28 UL2651 VW-1  
PVC INSULATION GRAY
2. NO. OF CONTACTS:  
10~64
3. CONNECTORS AT TWO ENDS:  
"LB" 2.54MM IDC SOCKET WITHOUT STRAIN RELIEF  
TO 2.54MM IDC TYPE BOX HEADER
4. LENGTH IN CM (CENTIMETERS)
5. COLOR OF TWO IDC CONNECTORS:  
"A" GRAY

**1.27MM PITCH FLAT CABLE WITH 2.54MM PITCH IDC SOCKET WITH STRAIN RELIEF (H=16.0MM) TO IDC TYPE BOX HEADER (J3)**

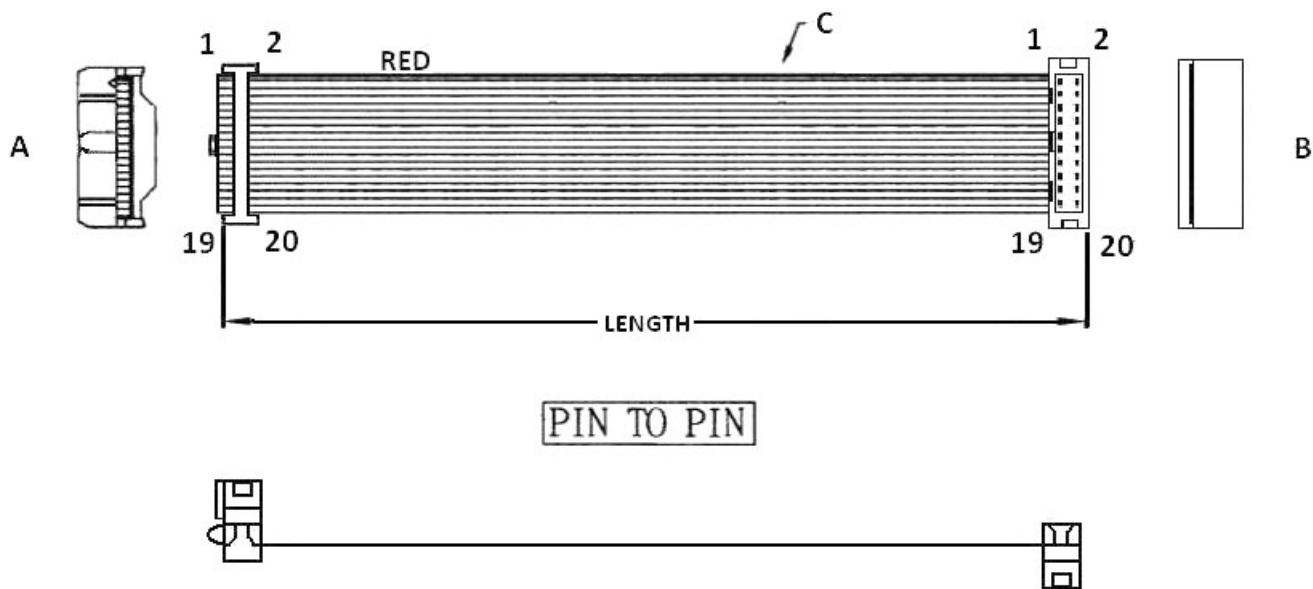


**ORDERING INFORMATION:**

**P/N**  $\frac{KA}{1}$   $\frac{xx}{2}$   $\frac{MB}{3}$  -  $\frac{xx}{4}$   $\frac{CMA}{5}$

1. FLAT CABLE TYPE:  
"KA" 1.27MM AWG28 UL2651 VW-1  
PVC INSULATION GRAY
2. NO. OF CONTACTS:  
10~64
3. CONNECTORS AT TWO ENDS:  
"MB" 2.54MM IDC SOCKET WITH STRAIN RELIEF  
TO 2.54MM IDC TYPE BOX HEADER
4. LENGTH IN CM (CENTIMETERS)
5. COLOR OF TWO IDC CONNECTORS:  
"A" GRAY

**1.27MM PITCH FLAT CABLE WITH 2.54MM PITCH IDC SOCKET WITH STRAIN RELIEF (H=16.0MM) TO IDC TYPE BOX HEADER (J4)**

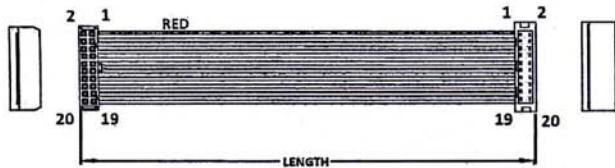


**ORDERING INFORMATION:**

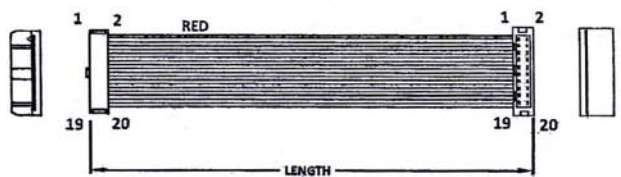
**P/N**  $\frac{\text{KA}}{1}$   $\frac{\text{xx}}{2}$   $\frac{\text{NB}}{3}$  -  $\frac{\text{xx}}{4}$  **CM**  $\frac{\text{A}}{5}$

1. FLAT CABLE TYPE:  
"KA" 1.27MM AWG28 UL2651 VW-1  
PVC INSULATION GRAY
2. NO. OF CONTACTS:  
10~64
3. CONNECTORS AT TWO ENDS:  
"NB" 2.54MM IDC SOCKET WITH STRAIN RELIEF  
TO 2.54MM IDC TYPE BOX HEADER
4. LENGTH IN CM (CENTIMETERS)
5. COLOR OF TWO IDC CONNECTORS:  
"A" GRAY

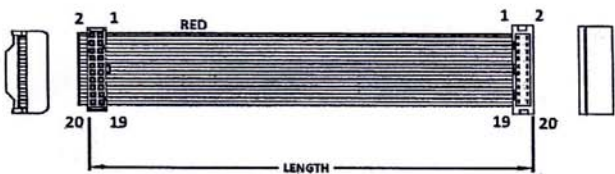
**1.27MM PITCH FLAT CABLE WITH 2.54MM IDC SOCKET WITH DUAL WIPE CONTACTS (H=10.5MM & 14.4MM) TO BOX HEADER IDC TYPE (J5)**



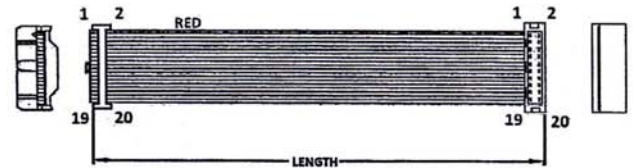
K4QY



K4QZ



K4TY



K4TZ

**ORDERING INFORMATION:**

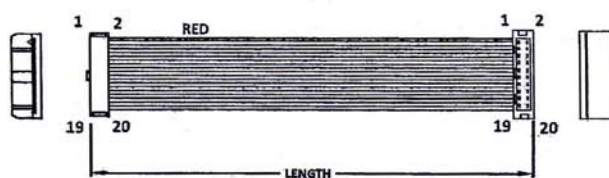
**P/N K 1 2 3 4**

1. CONSTRUCTION TYPE:  
IDC SOCKET W/O S.R. : 4QY, 4QZ (H=10.5MM)  
IDC SOCKET WITH S.R. : 4TY, 4TZ (H=14.4MM)
2. NO. OF CONTACTS:  
010~064
3. LENGTH IN CM (CENTIMETERS)
4. COLOR OF TWO IDC CONNECTORS:  
"A" GRAY+GRAY  
"D" BLACK (SOCKET) + GRAY (HEADER)

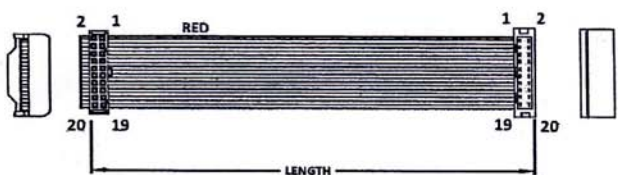
**1.27MM PITCH FLAT CABLE  
WITH 2.54MM IDC SOCKET (H=10.5MM & 14.4MM) TO BOX HEADER IDC TYPE (J6)**



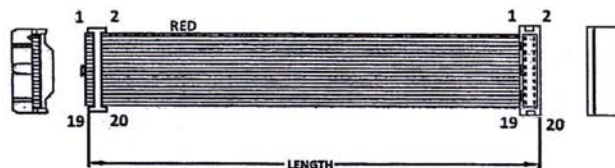
K4SW



K4SX



K4SY



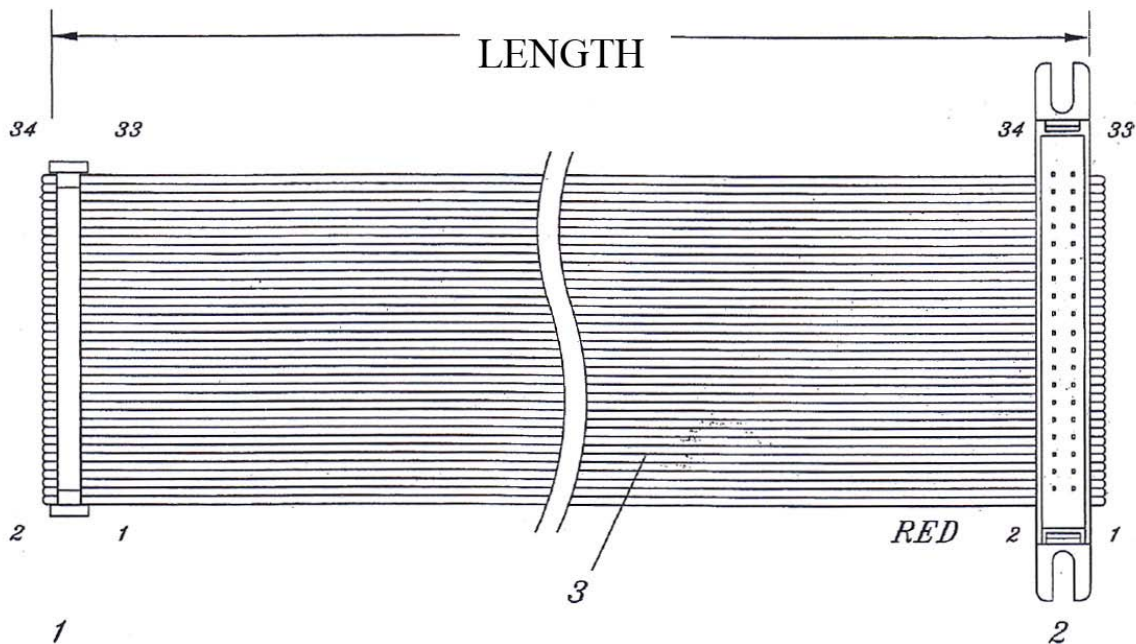
K4SZ

**ORDERING INFORMATION:**

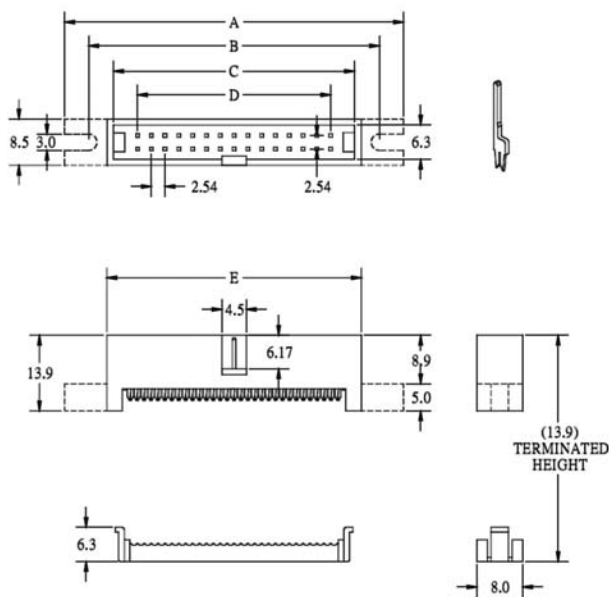
**P/N K 1 2 3 4**

1. CONSTRUCTION TYPE:  
IDC SOCKET W/O S.R. : 4SW, 4SX (H=10.5MM)  
IDC SOCKET WITH S.R. : 4SY, 4SZ (H=14.4MM)
2. NO. OF CONTACTS:  
010~064
3. LENGTH IN CM (CENTIMETERS)
4. COLOR OF TWO IDC CONNECTORS:  
"A" GRAY+GRAY  
"D" BLACK (SOCKET) + GRAY (HEADER)

**1.27MM PITCH FLAT CABLE WITH 2.54MM IDC SOCKET (H=10.5MM)  
TO IDC TYPE BOX HEADER WITH EARS (J7)**



**1.27MM PITCH IDC TYPE BOX HEADER WITH EARS**



$$A = D + 29.80$$

$$B = D + 18.44$$

$$C = D + 8.14$$

$$D = 2.54 * \text{POSITIONS} / 2 - 2.54$$

$$E = D + 11.26$$

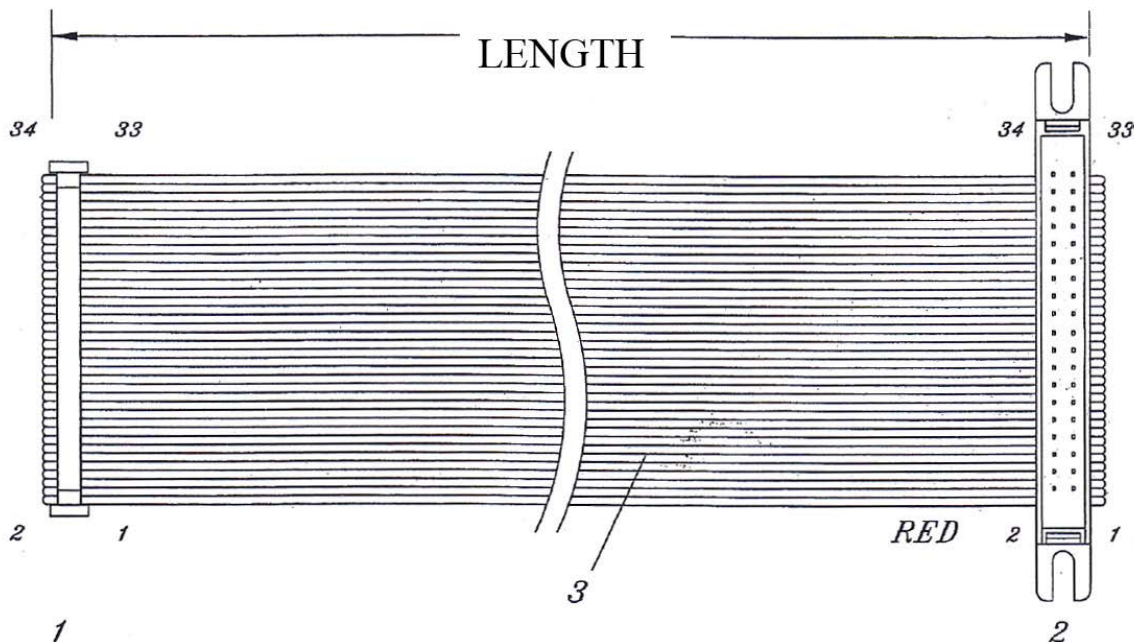
NO. OF CONTACTS:  
010, 014, 016, 020, 024,  
026, 030, 034, 040, 050,  
060, 064

**ORDERING INFORMATION:**

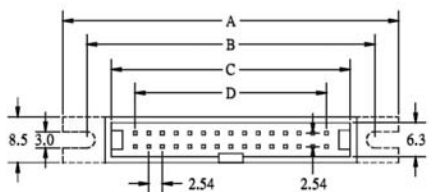
**P/N** K 1 2 3 4 C M X

1. CONSTRUCTION TYPE:  
4BY
2. NO. OF CONTACTS:  
010~064
3. LENGTH IN CM (CENTIMETERS)
4. COLOR OF TWO IDC CONNECTORS:  
"D" BLACK(SOCKET)+GRAY(HEADER)  
"A" GRAY+GRAY

**1.27MM PITCH FLAT CABLE WITH 2.54MM IDC SOCKET WITH DUAL WIPE CONTACTS (H=10.5MM) TO IDC TYPE BOX HEADER WITH EARS (J8)**



**1.27MM PITCH IDC TYPE BOX HEADER WITH EARS**



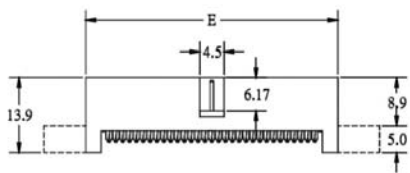
$$A = D + 29.80$$

$$B = D + 18.44$$

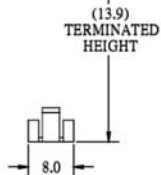
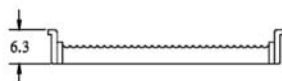
$$C = D + 8.14$$

$$D = 2.54 * \text{POSITIONS} / 2 - 2.54$$

$$E = D + 11.26$$



NO. OF CONTACTS:  
010, 014, 016, 020, 024,  
026, 030, 034, 040, 050,  
060, 064



**ORDERING INFORMATION:**

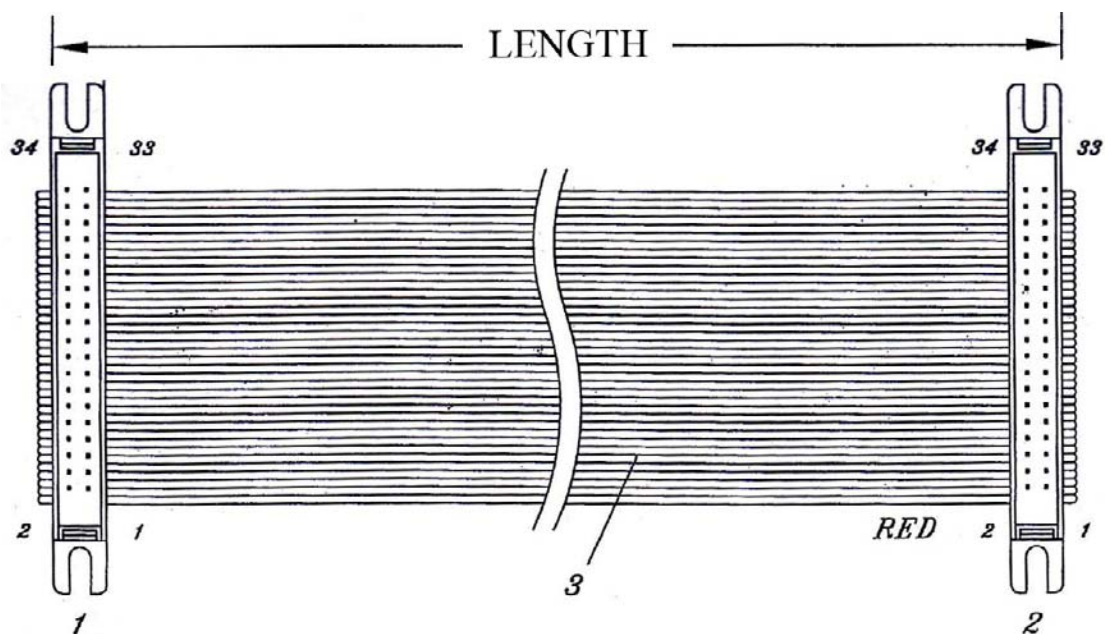
**P/N** **K** **x x x x x x** **-** **x x** **C M** **x**

1                      2                      3                      4

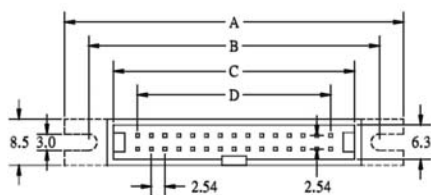
1. CONSTRUCTION TYPE:  
4BZ
2. NO. OF CONTACTS:  
010~064
3. LENGTH IN CM (CENTIMETERS)
4. COLOR OF TWO IDC CONNECTORS:  
"D" BLACK(SOCKET)+GRAY(HEADER)  
"A" GRAY+GRAY



## 1.27MM PITCH FLAT CABLE WITH 2\*2.54MM IDC TYPE BOX HEADERS (K1)



### 1.27MM PITCH BOX HEADER IDC TYPE WITH EARS



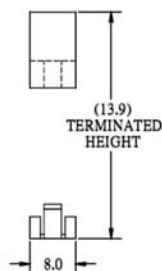
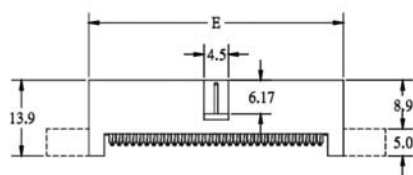
$$A = D + 29.80$$

$$B = D + 18.44$$

$$C = D + 8.14$$

$$D = 2.54 * \text{POSITIONS} / 2 - 2.54$$

$$E = D + 11.26$$



NO. OF CONTACTS:  
010, 014, 016, 020, 024,  
026, 030, 034, 040, 050,  
060, 064

### ORDERING INFORMATION:

P/N K 1 2 3 4 C M A

1. CONSTRUCTION TYPE:  
4BX
2. NO. OF CONTACTS:  
010~064
3. LENGTH IN CM (CENTIMETERS)
4. COLOR OF TWO IDC CONNECTORS:  
"A" GRAY