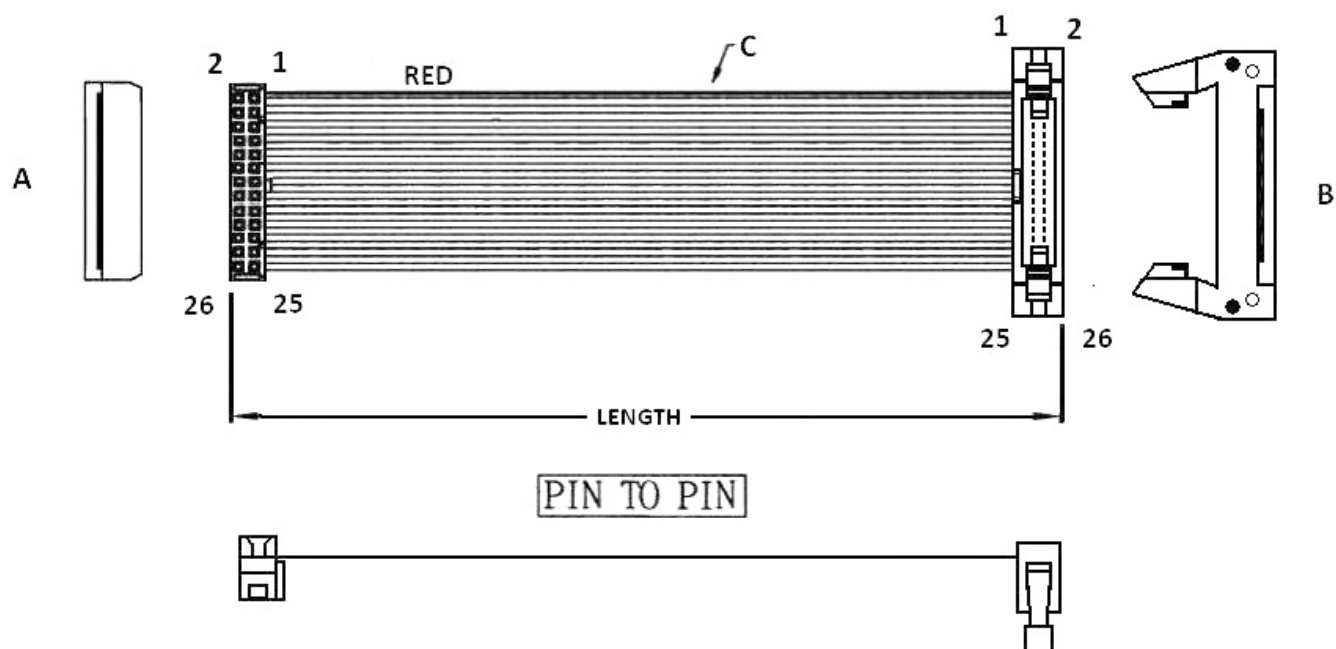


**1.27MM PITCH FLAT CABLE WITH 2.54MM IDC SOCKET WITHOUT STRAIN RELIEF (H=11.0MM) TO IDC PLUG WITH SHORT LATCHES (L1)**

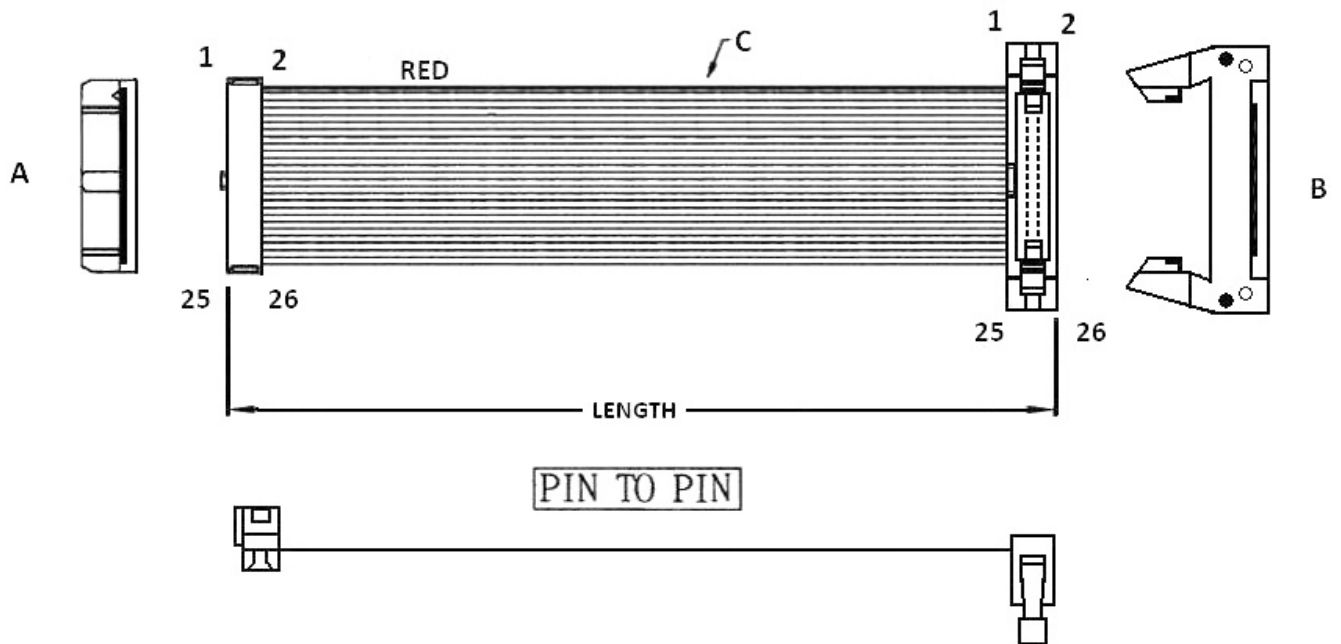


**ORDERING INFORMATION:**

**P/N**  $\frac{\text{KA}}{1} \frac{\text{xx}}{2} \frac{\text{KS}}{3} - \frac{\text{xx}}{4} \text{CMA} \frac{\text{A}}{5}$

1. FLAT CABLE TYPE:  
"KA" 1.27MM AWG28 UL2651 VW-1 PVC INSULATION GRAY
2. NO. OF CONTACTS:  
10~64
3. CONNECTORS AT TWO ENDS:  
"KS" 2.54MM IDC SOCKET WITH NOSE W/O S.R. TO 2.54MM IDC PLUG WITH SHORT LATCHES
4. LENGTH IN CM (CENTIMETERS)
5. COLOR OF TWO IDC CONNECTORS:  
"A" GRAY

**1.27MM PITCH FLAT CABLE WITH 2.54MM IDC SOCKET WITHOUT STRAIN RELIEF (H=11.0MM) TO IDC PLUG WITH SHORT LATCHES (L2)**

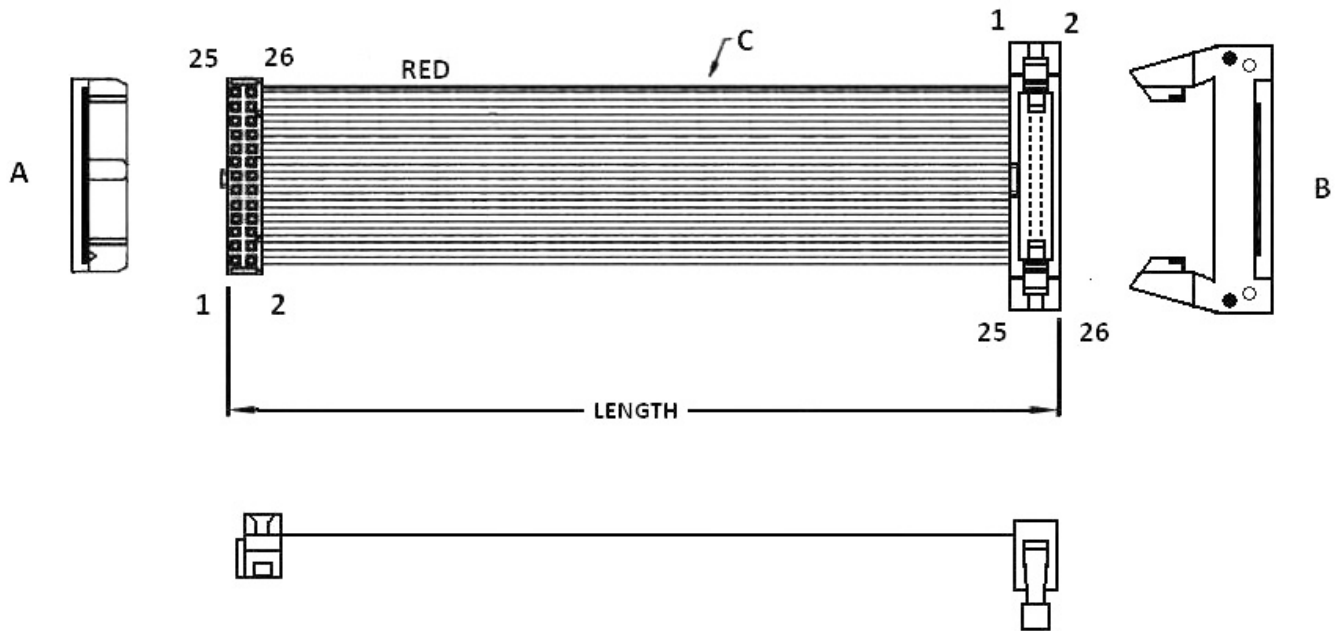


**ORDERING INFORMATION:**

**P/N**  $\frac{KA}{1} \frac{xx}{2} \frac{LS}{3} - \frac{xx}{4} \frac{CMA}{5}$

1. FLAT CABLE TYPE:  
"KA" 1.27MM AWG28 UL2651 VW-1 PVC INSULATION GRAY
2. NO. OF CONTACTS:  
10~64
3. CONNECTORS AT TWO ENDS:  
"LS" 2.54MM IDC SOCKET WITH NOSE W/O S.R. TO 2.54MM IDC PLUG WITH SHORT LATCHES
4. LENGTH IN CM (CENTIMETERS)
5. COLOR OF TWO IDC CONNECTORS:  
"A" GRAY

**1.27MM PITCH FLAT CABLE WITH 2.54MM IDC SOCKET WITHOUT STRAIN RELIEF (H=11.0MM) TO IDC PLUG WITH SHORT LATCHES (L3)**

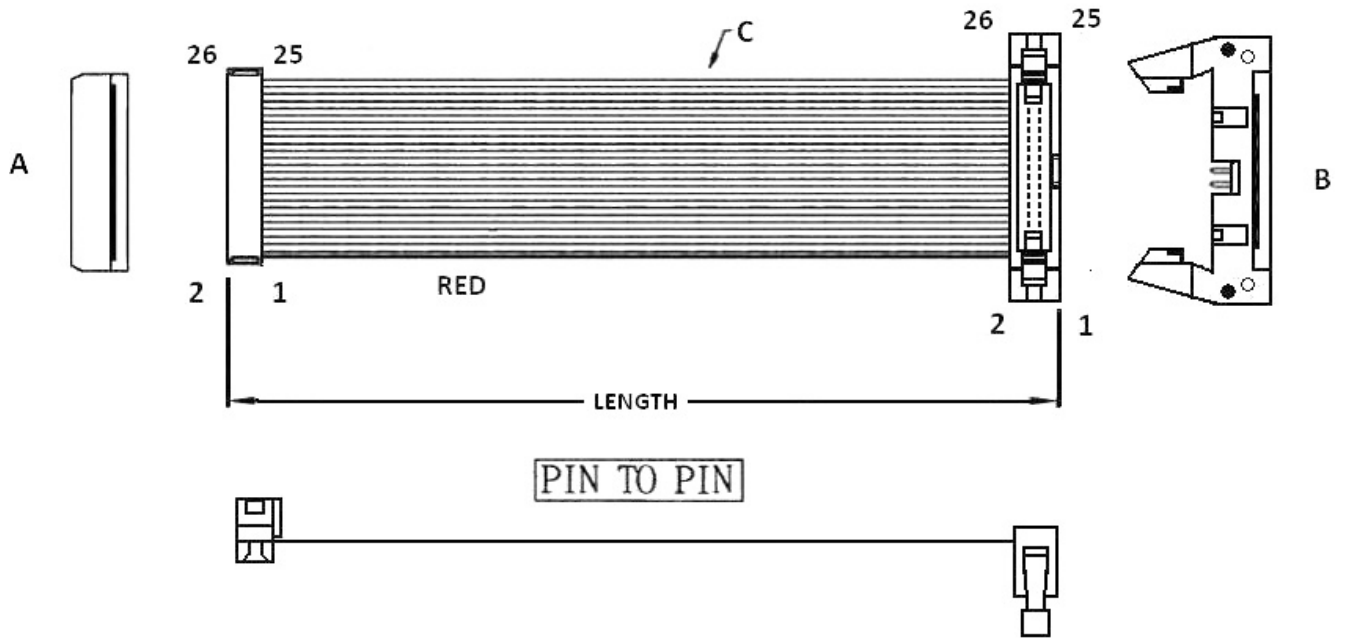


**ORDERING INFORMATION:**

**P/N**  $\frac{KA}{1} \frac{xx}{2} \frac{IS}{3} - \frac{xx}{4} \frac{CMA}{5}$

1. FLAT CABLE TYPE:  
"KA" 1.27MM AWG28 UL2651 VW-1 PVC  
INSULATION GRAY
2. NO. OF CONTACTS:  
10
3. CONNECTORS AT TWO ENDS:  
"IS" 2.54MM IDC SOCKET WITH NOSE W/O S.R. TO  
2.54MM IDC PLUG WITH SHORT LATCHES
4. LENGTH IN CM (CENTIMETERS)
5. COLOR OF TWO IDC CONNECTORS:  
"A" GRAY

**1.27MM PITCH FLAT CABLE WITH 2.54MM IDC SOCKET  
W/O STRAIN RELIEF (H=11.0MM) & 2.54MM IDC PLUG WITH SHORT LATCHES (L4)**

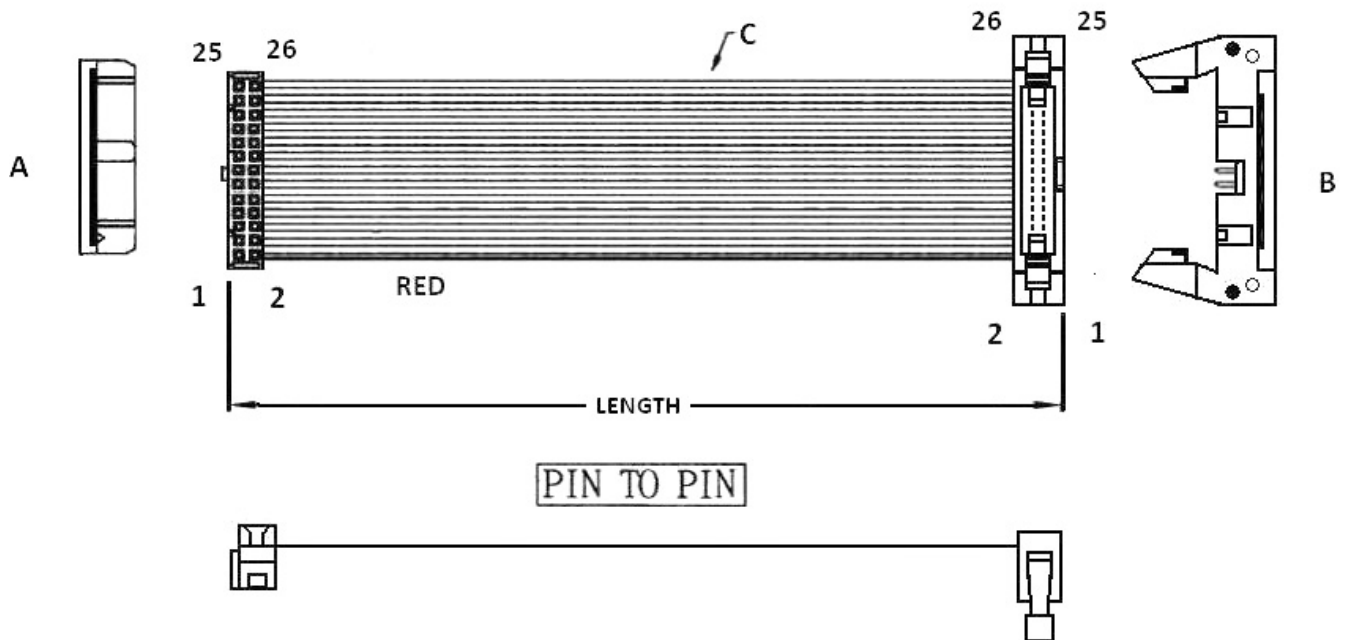


**ORDERING INFORMATION:**

**P/N**  $\frac{KA}{1} \frac{xx}{2} \frac{KQ}{3} - \frac{xx}{4} C M \frac{A}{5}$

1. FLAT CABLE TYPE:  
"KA" 1.27MM AWG28 UL2651 VW-1 PVC  
INSULATION GRAY
1. NO. OF CONTACTS:  
10~64
2. CONNECTORS AT TWO ENDS:  
"KQ" 2.54MM IDC SOCKET WITH NOSE & WITHOUT S.R. TO  
2.54MM IDC PLUG WITH SHORT LATCHES
3. LENGTH IN CM (CENTIMETERS)
4. COLOR OF TWO IDC CONNECTORS:  
"A" GRAY

**1.27MM PITCH FLAT CABLE WITH 2.54MM IDC SOCKET  
W/O STRAIN RELIEF (H=11.0MM) & 2.54MM IDC PLUG WITH SHORT LATCHES (L5)**

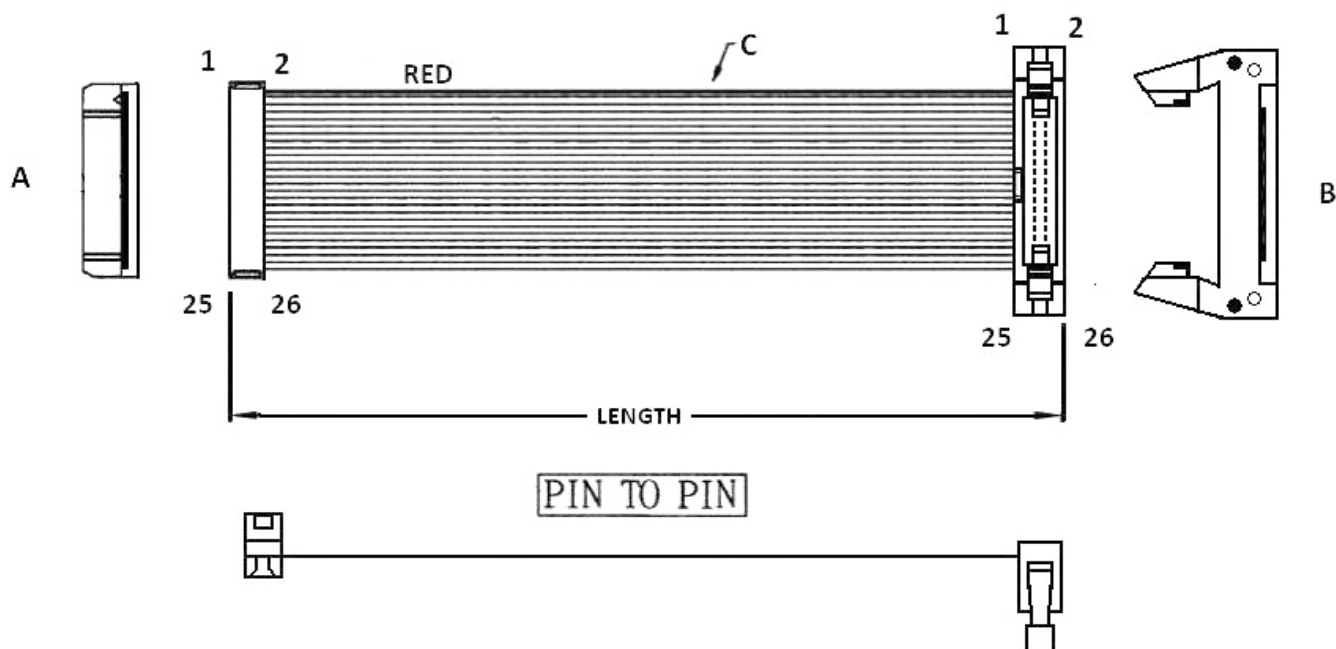


**ORDERING INFORMATION:**

**P/N**  $\frac{KA}{1} \frac{xx}{2} \frac{LQ}{3} - \frac{xx}{4} CMA \frac{A}{5}$

1. FLAT CABLE TYPE:  
"KA" 1.27MM AWG28 UL2651 VW-1 PVC  
INSULATION GRAY
2. NO. OF CONTACTS:  
10~64
3. CONNECTORS AT TWO ENDS:  
"LQ" 2.54MM IDC SOCKET WITH NOSE & WITHOUT S.R. TO  
2.54MM IDC PLUG WITH SHORT LATCHES
4. LENGTH IN CM (CENTIMETERS)
5. COLOR OF TWO IDC CONNECTORS:  
"A" GRAY

**1.27MM PITCH FLAT CABLE WITH 2.54MM IDC SOCKET WITHOUT STRAIN RELIEF (H=11.0MM) TO IDC PLUG WITH SHORT LATCHES (L6)**

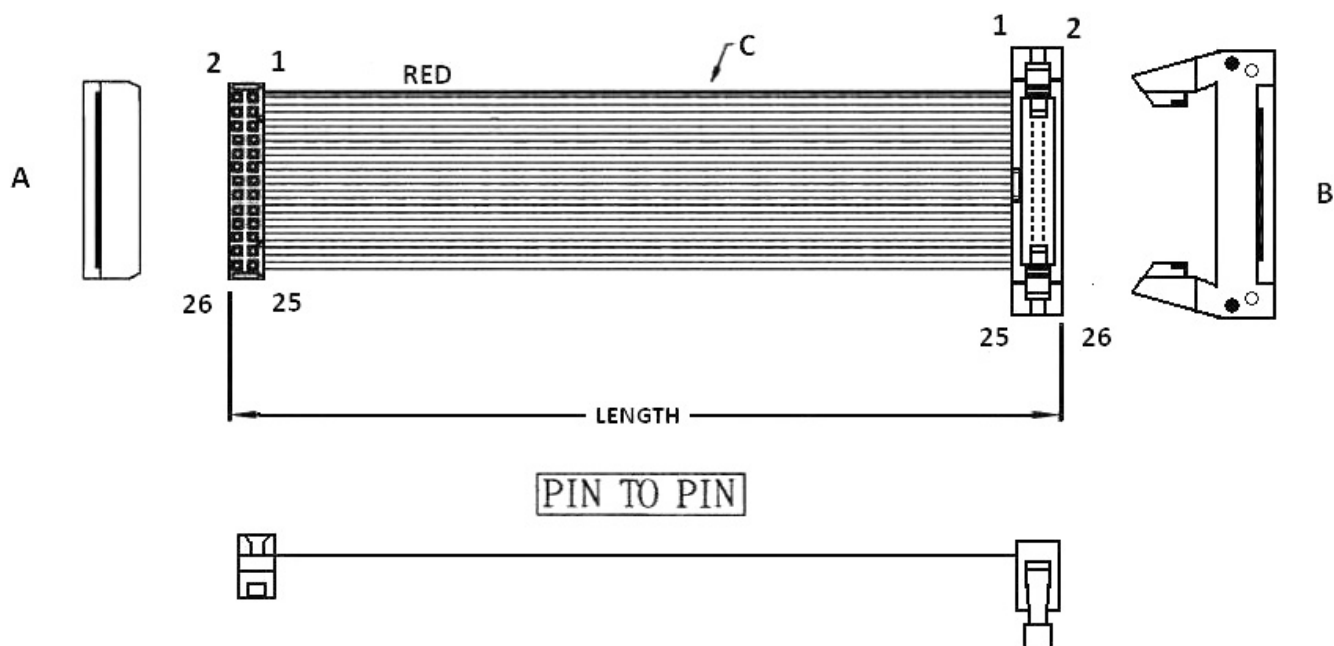


**ORDERING INFORMATION:**

**P/N**  $\frac{KA}{1} \frac{xx}{2} \frac{AS}{3} - \frac{xx}{4} \frac{CMA}{5}$

1. FLAT CABLE TYPE:  
"KA" 1.27MM AWG28 UL2651 VW-1 PVC INSULATION GRAY
2. NO. OF CONTACTS:  
10~64
3. CONNECTORS AT TWO ENDS:  
"AS" 2.54MM IDC SOCKET W/O NOSE W/O S.R. TO 2.54MM IDC PLUG WITH SHORT LATCHES
4. LENGTH IN CM (CENTIMETERS)
5. COLOR OF TWO IDC CONNECTORS:  
"A" GRAY

**1.27MM PITCH FLAT CABLE WITH 2.54MM IDC SOCKET WITHOUT STRAIN RELIEF (H=11.0MM) TO IDC PLUG WITH SHORT LATCHES (L7)**

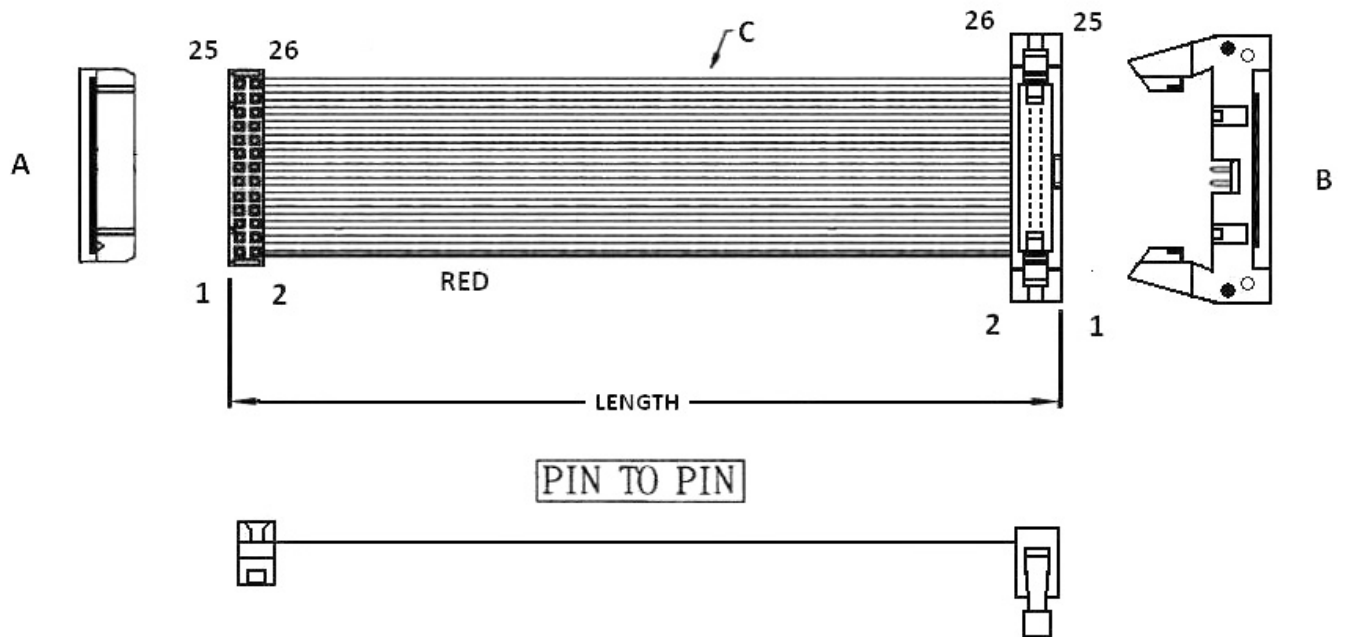


**ORDERING INFORMATION:**

**P/N**  $\frac{KA}{1} \frac{XX}{2} \frac{VS}{3} - \frac{XX}{4} CMA \frac{A}{5}$

1. FLAT CABLE TYPE:  
"KA" 1.27MM AWG28 UL2651 VW-1 PVC INSULATION GRAY
2. NO. OF CONTACTS:  
10~64
3. CONNECTORS AT TWO ENDS:  
"VS" 2.54MM IDC SOCKET W/O NOSE W/O S.R. TO 2.54MM IDC PLUG WITH SHORT LATCHES
4. LENGTH IN CM (CENTIMETERS)
5. COLOR OF TWO IDC CONNECTORS:  
"A" GRAY

**1.27MM PITCH FLAT CABLE WITH 2.54MM IDC SOCKET  
W/O STRAIN RELIEF (H=11.0MM) & 2.54MM IDC PLUG WITH SHORT LATCHES (L8)**



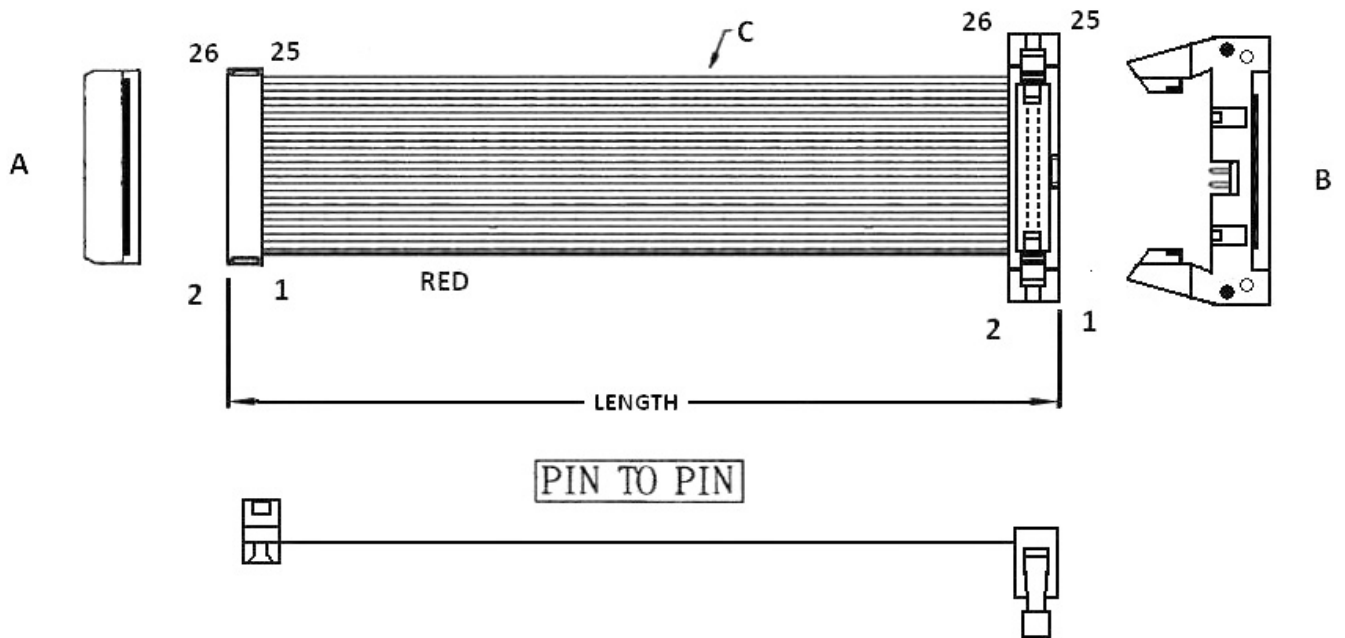
**ORDERING INFORMATION:**

**P/N**  $\frac{KA}{1} \frac{xx}{2} \frac{AQ}{3} - \frac{xx}{4} CM \frac{A}{5}$

1. FLAT CABLE TYPE:  
"KA" 1.27MM AWG28 UL2651 VW-1 PVC  
INSULATION GRAY
2. NO. OF CONTACTS:  
10~64
3. CONNECTORS AT TWO ENDS:  
"AQ" 2.54MM IDC SOCKET WITHOUT NOSE & WITHOUT S.R. TO  
2.54MM IDC PLUG WITH SHORT LATCHES
4. LENGTH IN CM (CENTIMETERS)
5. COLOR OF TWO IDC CONNECTORS:  
"A" GRAY



**1.27MM PITCH FLAT CABLE WITH 2.54MM IDC SOCKET  
W/O STRAIN RELIEF (H=11.0MM) & 2.54MM IDC PLUG WITH SHORT LATCHES (L9)**

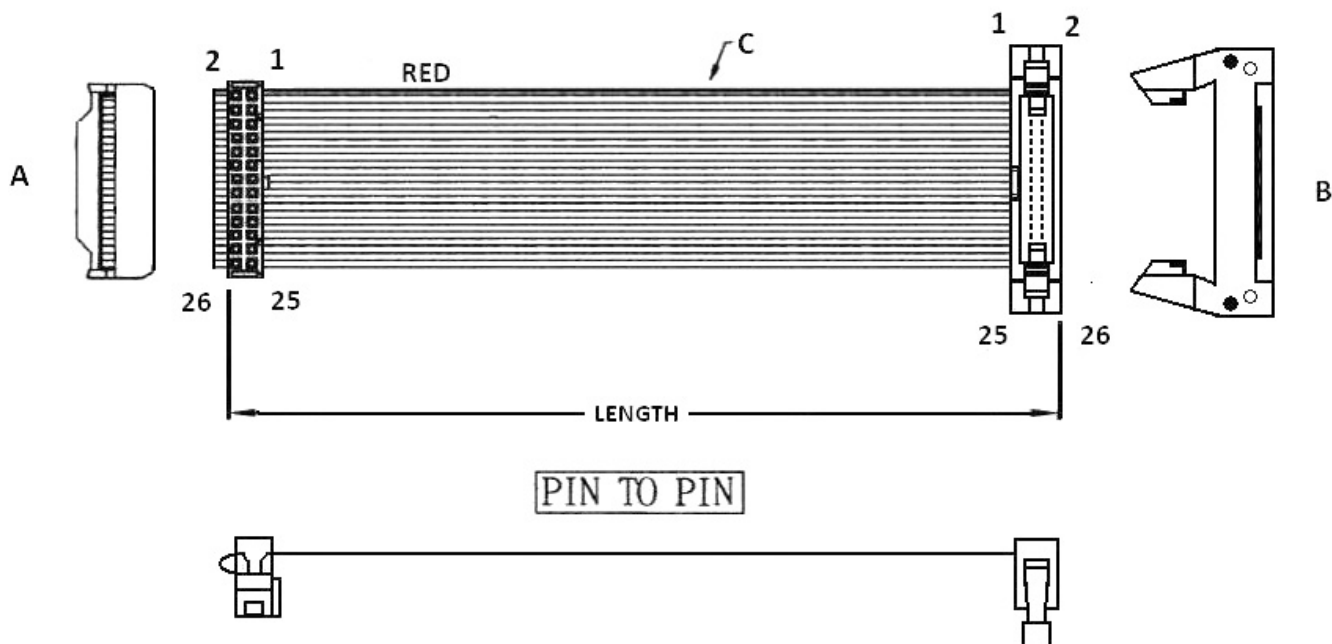


**ORDERING INFORMATION:**

**P/N**  $\frac{KA}{1} \frac{xx}{2} \frac{VQ}{3} - \frac{xx}{4} \frac{CMA}{5}$

1. FLAT CABLE TYPE:  
"KA" 1.27MM AWG28 UL2651 VW-1 PVC  
INSULATION GRAY
2. NO. OF CONTACTS:  
10~64
3. CONNECTORS AT TWO ENDS:  
"VQ" 2.54MM IDC SOCKET WITHOUT NOSE & WITHOUT S.R. TO  
2.54MM IDC PLUG WITH SHORT LATCHES
4. LENGTH IN CM (CENTIMETERS)
5. COLOR OF TWO IDC CONNECTORS:  
"A" GRAY

**1.27MM PITCH FLAT CABLE WITH 2.54MM IDC SOCKET WITH STRAIN RELIEF (H=16.0MM) TO IDC PLUG WITH SHORT LATCHES (L10)**

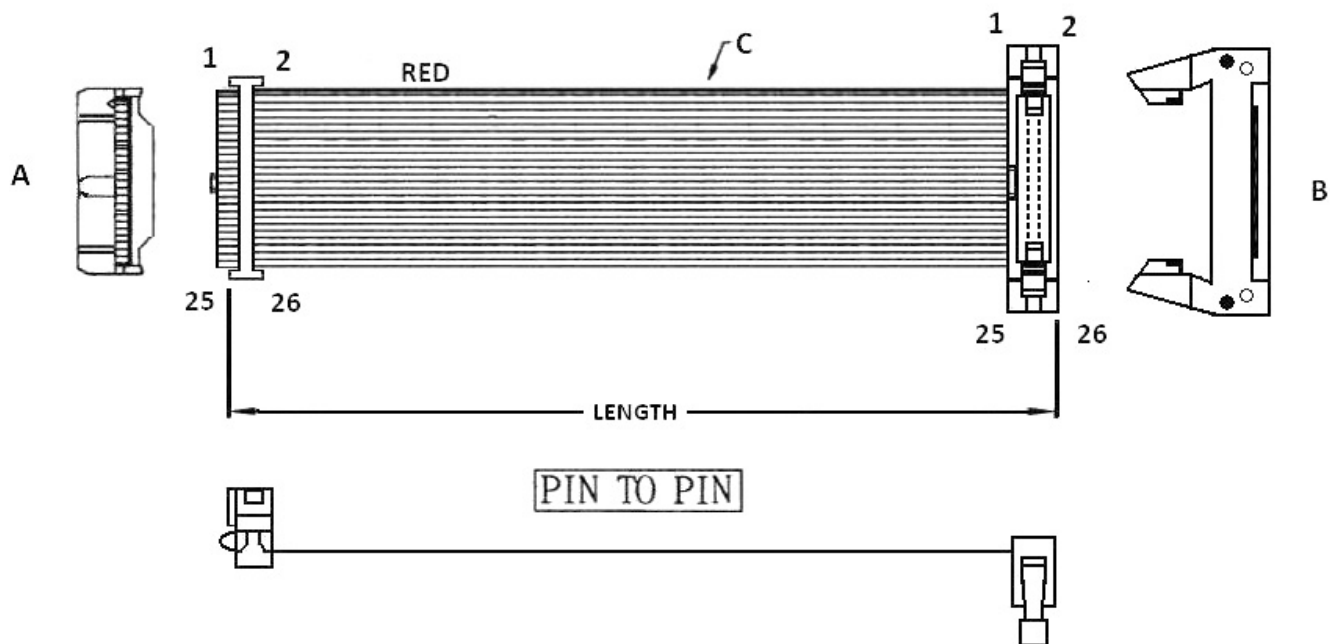


**ORDERING INFORMATION:**

**P/N**  $\frac{\text{KA}}{1}$   $\frac{\text{XX}}{2}$   $\frac{\text{MS}}{3}$  -  $\frac{\text{XX}}{4}$   $\frac{\text{CMA}}{5}$

1. FLAT CABLE TYPE:  
"KA" 1.27MM AWG28 UL2651 VW-1 PVC  
INSULATION GRAY
2. NO. OF CONTACTS:  
10~64
3. CONNECTORS AT TWO ENDS:  
"MS" 2.54MM IDC SOCKET WITH NOSE & S.R. TO  
2.54MM IDC PLUG WITH SHORT LATCHES
4. LENGTH IN CM (CENTIMETERS)
5. COLOR OF TWO IDC CONNECTORS:  
"A" GRAY

**1.27MM PITCH FLAT CABLE WITH 2.54MM IDC SOCKET WITH STRAIN RELIEF (H=16.0MM) TO IDC PLUG WITH SHORT LATCHES (L11)**

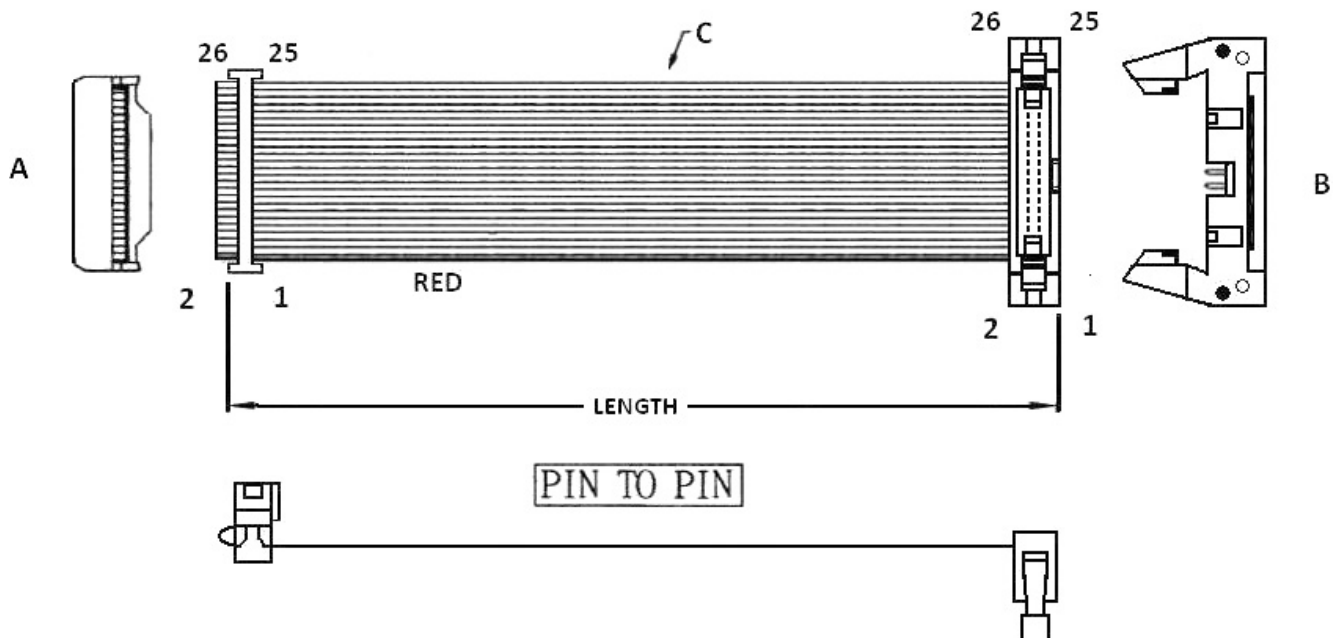


**ORDERING INFORMATION:**

**P/N**  $\frac{KA}{1} \frac{xx}{2} \frac{NS}{3} - \frac{xx}{4} CMA \frac{A}{5}$

1. FLAT CABLE TYPE:  
"KA" 1.27MM AWG28 UL2651 VW-1 PVC INSULATION GRAY
2. NO. OF CONTACTS:  
10~64
3. CONNECTORS AT TWO ENDS:  
"NS" 2.54MM IDC SOCKET WITH NOSE & S.R. TO 2.54MM IDC PLUG WITH SHORT LATCHES
4. LENGTH IN CM (CENTIMETERS)
5. COLOR OF TWO IDC CONNECTORS:  
"A" GRAY

**1.27MM PITCH FLAT CABLE WITH 2.54MM IDC SOCKET WITH STRAIN RELIEF (H=16.0MM) TO 2.54MM IDC PLUG WITH SHORT LATCHES (L12)**

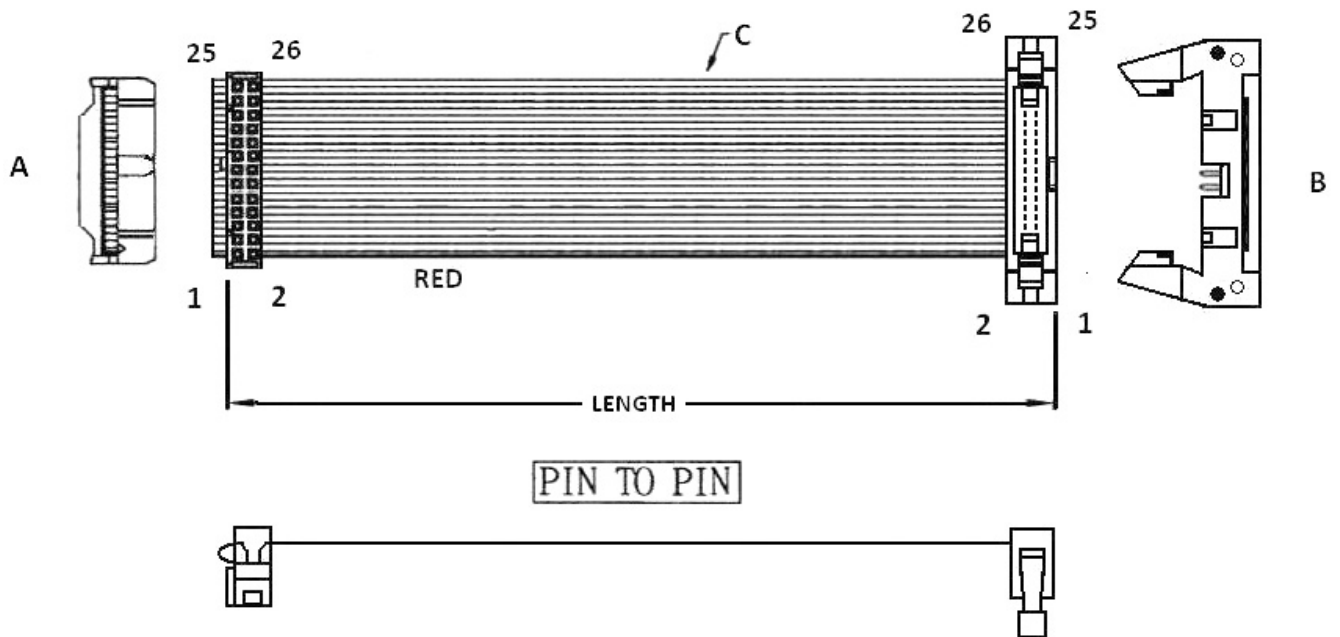


**ORDERING INFORMATION:**

**P/N**  $\frac{K}{1}$   $\frac{A}{2}$   $\frac{xx}{3}$   $\frac{MQ}{4}$  -  $\frac{xx}{4}$   $\frac{C}{4}$   $\frac{MA}{5}$

1. FLAT CABLE TYPE:  
"KA" 1.27MM AWG28 UL2651 VW-1 PVC INSULATION GRAY
2. NO. OF CONTACTS:  
10~64
3. CONNECTORS AT TWO ENDS:  
"MQ" 2.54MM IDC SOCKET WITH NOSE & S.R. TO 2.54MM IDC PLUG WITH SHORT LATCHES
4. LENGTH IN CM (CENTIMETERS)
5. COLOR OF TWO IDC CONNECTORS:  
"A" GRAY

**1.27MM PITCH FLAT CABLE WITH 2.54MM IDC SOCKET WITH STRAIN RELIEF (H=16.0MM) TO 2.54MM IDC PLUG WITH SHORT LATCHES (L13)**

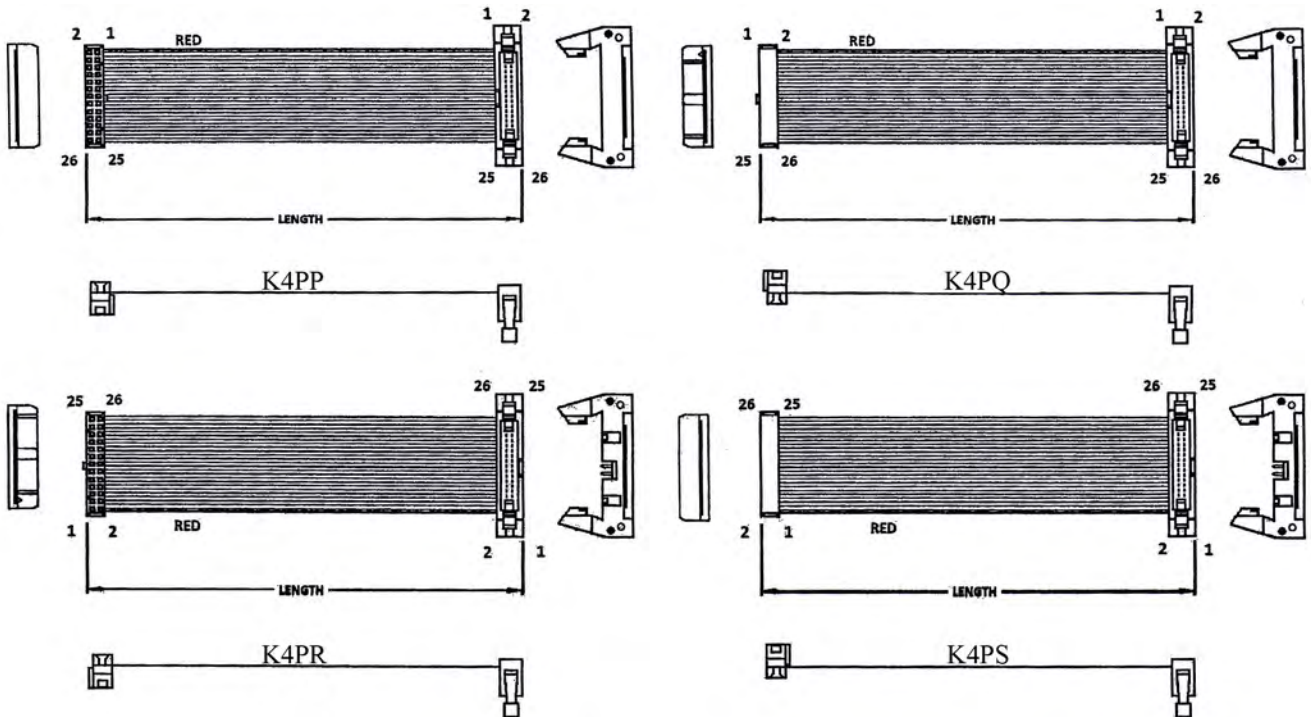


**ORDERING INFORMATION:**

**P/N**  $\frac{KA}{1} \frac{xx}{2} \frac{NQ}{3} - \frac{xx}{4} \frac{CMA}{5}$

1. FLAT CABLE TYPE:  
"KA" 1.27MM AWG28 UL2651 VW-1 PVC INSULATION GRAY
2. NO. OF CONTACTS:  
10~64
3. CONNECTORS AT TWO ENDS:  
"NQ" 2.54MM IDC SOCKET WITH NOSE & S.R. TO 2.54MM IDC PLUG WITH SHORT LATCHES
4. LENGTH IN CM (CENTIMETERS)
5. COLOR OF TWO IDC CONNECTORS:  
"A" GRAY

**1.27MM PITCH FLAT CABLE WITH 2.54MM IDC SOCKET W/O S.R. (H=9.5MM) TO IDC PLUG WITH SHORT LATCHES (L14)**

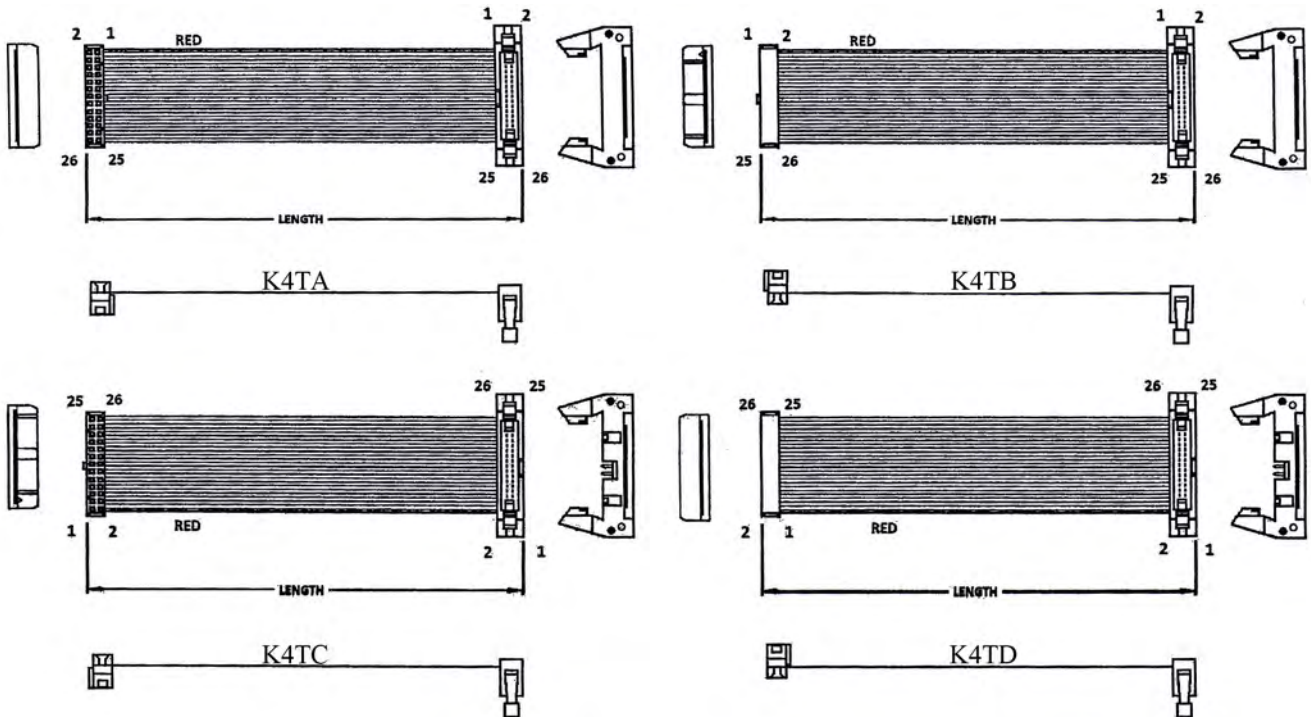


**ORDERING INFORMATION:**

**P/N K  $\frac{x}{1} \frac{x}{2} \frac{x}{3} \frac{x}{4}$  C M D**

1. CONSTRUCTION TYPE:  
4PP, 4PQ, 4PR, 4PS
2. NO. OF CONTACTS:  
010~064
3. LENGTH IN CM (CENTIMETERS)
4. COLOR OF TWO IDC CONNECTORS:  
"D" BLACK(SOCKET)+GRAY(HEADER)

**1.27MM PITCH FLAT CABLE WITH 2.54MM IDC SOCKET WITH DUAL U-SLOT & DUAL CONTACT (H=10.5MM) TO IDC PLUG WITH SHORT LATCHES (L15)**



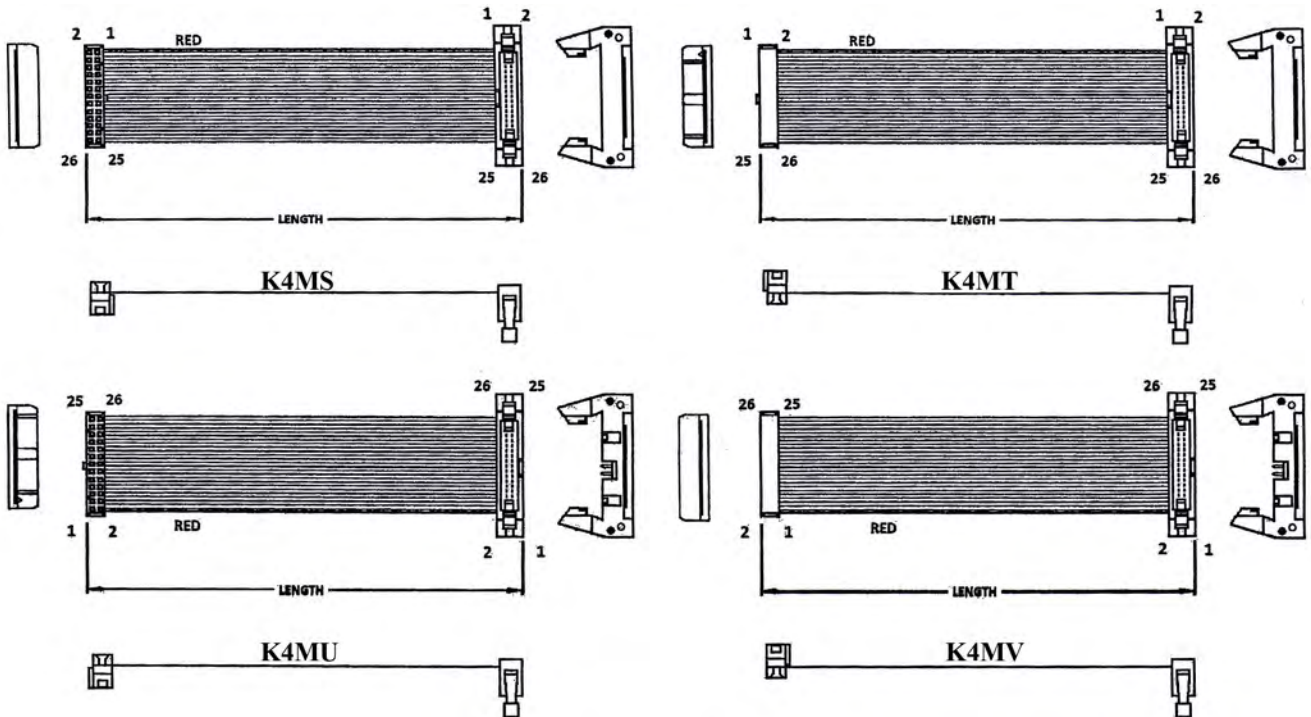
**ORDERING INFORMATION:**

**P/N K  $\frac{x}{1} \frac{x}{2} \frac{x}{3} \frac{x}{4}$  C M D**

1. CONSTRUCTION TYPE:  
4TA, 4TB, 4TC, 4TD
2. NO. OF CONTACTS:  
010~064
3. LENGTH IN CM (CENTIMETERS)
4. COLOR OF TWO IDC CONNECTORS:  
"D" BLACK(SOCKET)+GRAY(HEADER)



**1.27MM PITCH FLAT CABLE WITH 2.54MM IDC SOCKET W/O S.R. DUAL WIPE CONTACT TYPE (H=10.5MM) TO IDC PLUG WITH SHORT LATCHES (L16)**



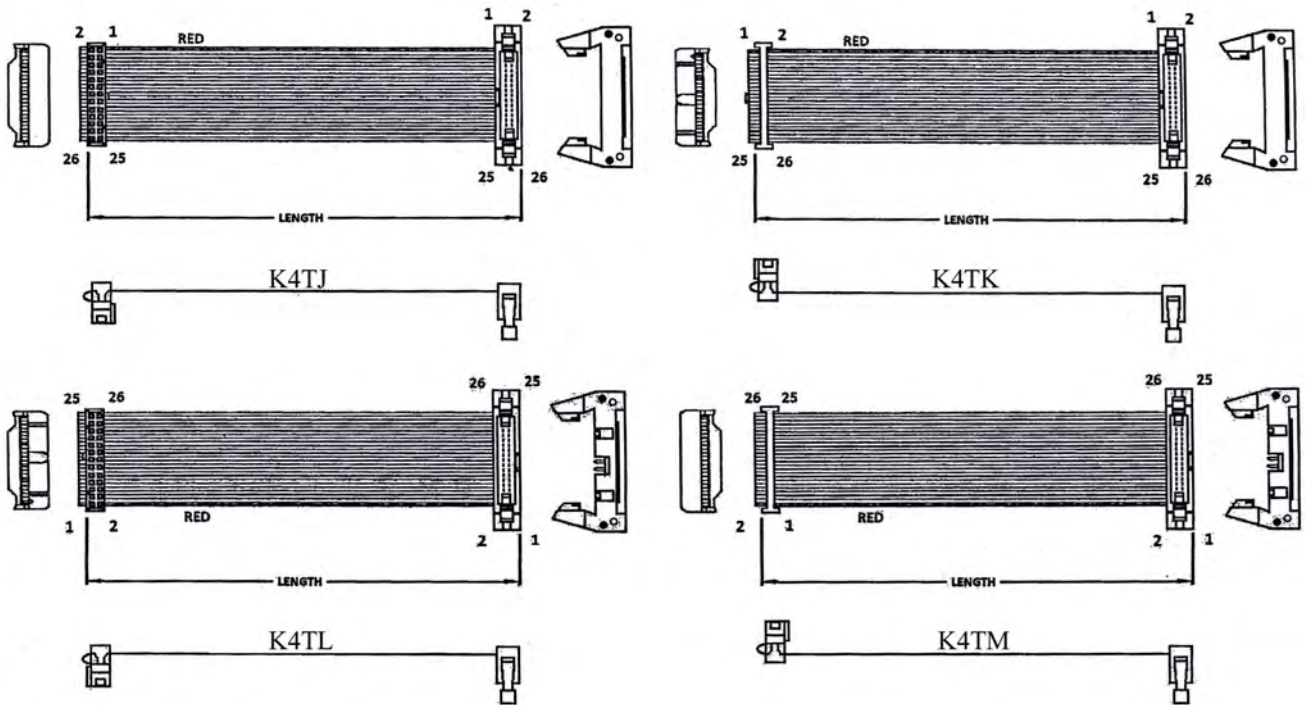
**ORDERING INFORMATION:**

**P/N K  $\frac{x}{1} \frac{x}{2} \frac{x}{3} \frac{x}{4}$  -  $\frac{x}{3} \frac{x}{4}$  C M  $\frac{x}{4}$**

1. CONSTRUCTION TYPE:  
4MS, 4MT, 4MU, 4MV
2. NO. OF CONTACTS:  
010~064
3. LENGTH IN CM (CENTIMETERS)
4. COLOR OF TWO IDC CONNECTORS:  
"A" GRAY+GRAY  
"D" BLACK(SOCKET)+GRAY(HEADER)



**1.27MM PITCH FLAT CABLE WITH 2.54MM IDC SOCKET WITH DUAL U-SLOT & DUAL CONTACT (H=14.4MM) TO IDC PLUG WITH SHORT LATCHES (L17)**

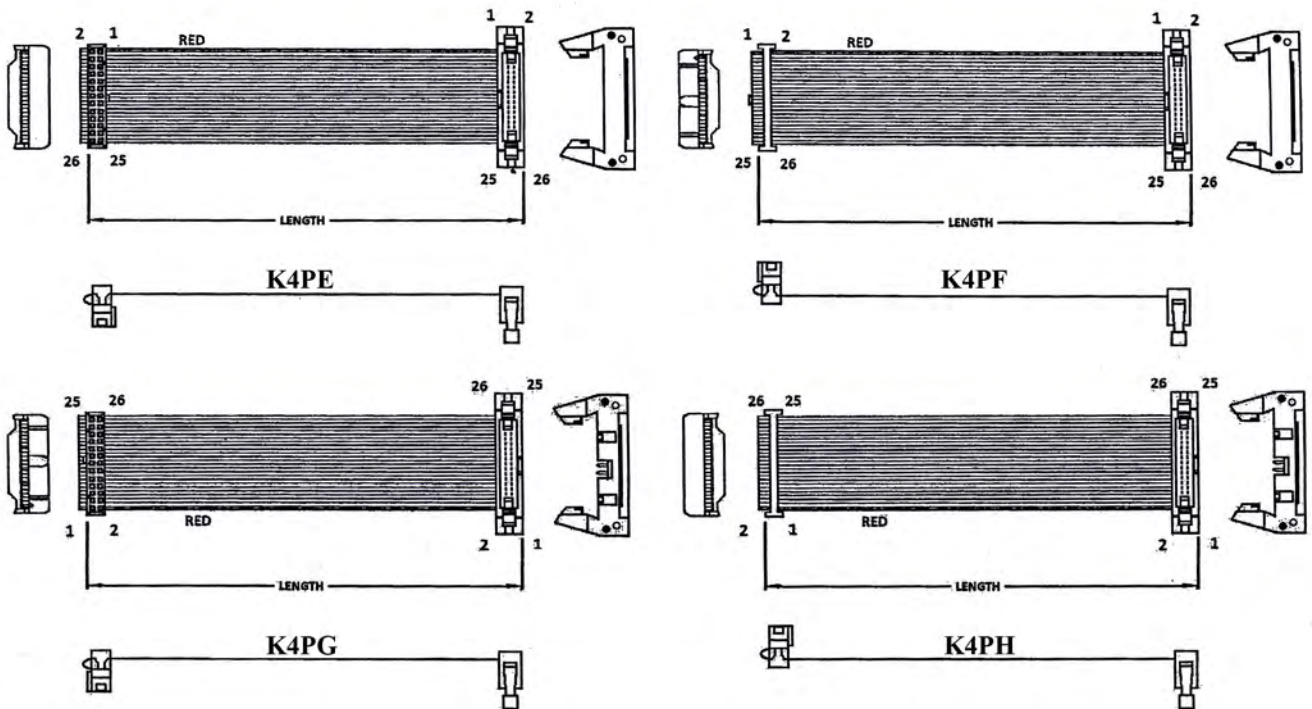


**ORDERING INFORMATION:**

**P/N K  $\frac{x}{1} \frac{x}{2} \frac{x}{3} \frac{x}{4}$  C M D**

1. CONSTRUCTION TYPE:  
4TJ, 4TK, 4TL, 4TM
2. NO. OF CONTACTS:  
010~064
3. LENGTH IN CM (CENTIMETERS)
4. COLOR OF TWO IDC CONNECTORS:  
"D" BLACK(SOCKET)+GRAY(HEADER)

**1.27MM PITCH FLAT CABLE WITH 2.54MM IDC SOCKET WITH S.R. DUAL WIPE CONTACT TYPE (H=14.4MM) TO IDC PLUG WITH SHORT LATCHES (L18)**

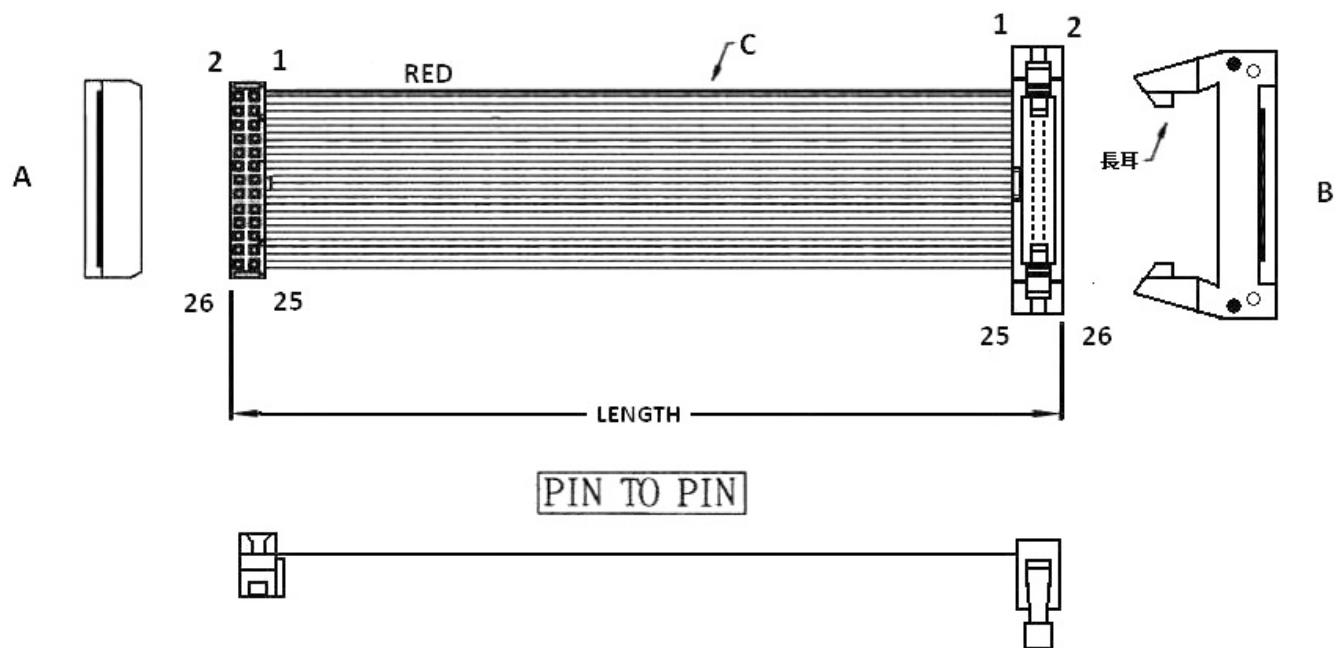


**ORDERING INFORMATION:**

**P/N** K  $\frac{x}{1} \frac{x}{2} \frac{x}{3} \frac{x}{4}$  -  $\frac{x}{3} \frac{x}{4}$  CM  $\frac{x}{4}$

1. CONSTRUCTION TYPE:  
4PE, 4PF, 4PG, 4PH
2. NO. OF CONTACTS:  
010~064
3. LENGTH IN CM (CENTIMETERS)
4. COLOR OF TWO IDC CONNECTORS:  
"A" GRAY+GRAY  
"D" BLACK(SOCKET)+GRAY(HEADER)

**1.27MM PITCH FLAT CABLE WITH 2.54MM IDC SOCKET WITHOUT STRAIN RELIEF (H=11.0MM) TO IDC PLUG WITH LONG LATCHES (M1)**

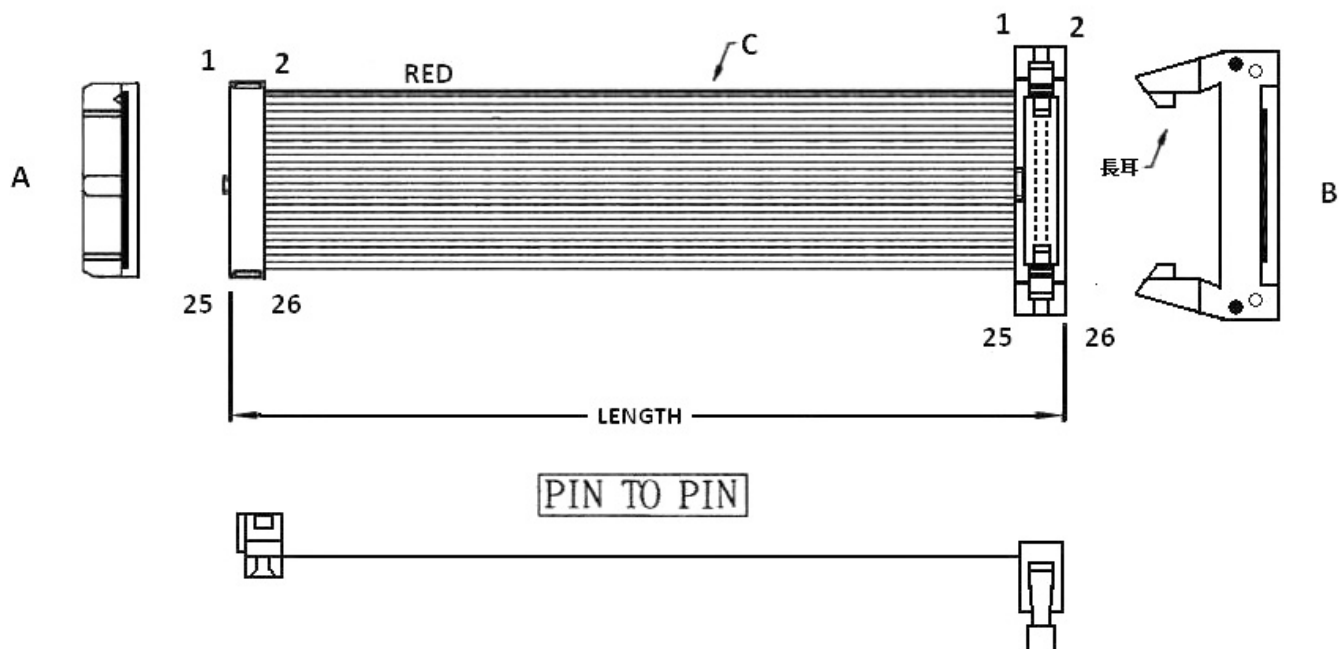


**ORDERING INFORMATION:**

**P/N**  $\frac{\text{KA}}{1}$   $\frac{\text{xx}}{2}$   $\frac{\text{KZ}}{3}$  -  $\frac{\text{xx}}{4}$  **CM**  $\frac{\text{A}}{5}$

1. FLAT CABLE TYPE:  
"KA" 1.27MM AWG28 UL2651 VW-1 PVC  
INSULATION GRAY
2. NO. OF CONTACTS:  
10~64
3. CONNECTORS AT TWO ENDS:  
"KZ" 2.54MM IDC SOCKET WITH NOSE W/O S.R. TO  
2.54MM IDC PLUG WITH LONG LATCHES
4. LENGTH IN CM (CENTIMETERS)
5. COLOR OF TWO IDC CONNECTORS:  
"A" GRAY

**1.27MM PITCH FLAT CABLE WITH 2.54MM IDC SOCKET WITHOUT STRAIN RELIEF (H=11.0MM) TO IDC PLUG WITH LONG LATCHES (M2)**

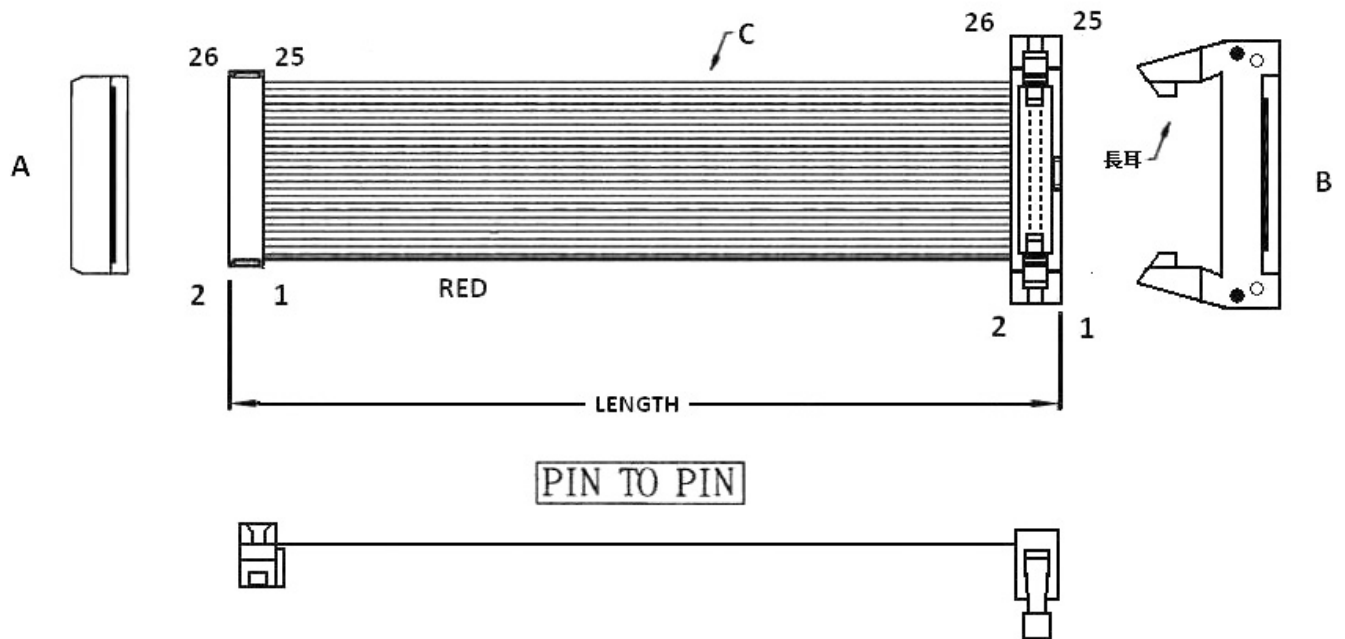


**ORDERING INFORMATION:**

**P/N**  $\frac{KA}{1} \frac{xx}{2} \frac{LZ}{3} - \frac{xx}{4} CMA \frac{A}{5}$

1. FLAT CABLE TYPE:  
"KA" 1.27MM AWG28 UL2651 VW-1 PVC INSULATION GRAY
2. NO. OF CONTACTS:  
10~64
3. CONNECTORS AT TWO ENDS:  
"LZ" 2.54MM IDC SOCKET WITH NOSE W/O S.R. TO 2.54MM IDC PLUG WITH LONG LATCHES
4. LENGTH IN CM (CENTIMETERS)
5. COLOR OF TWO IDC CONNECTORS:  
"A" GRAY

**1.27MM PITCH FLAT CABLE WITH 2.54MM IDC SOCKET WITHOUT STRAIN RELIEF (H=11.0MM) & 2.54MM IDC PLUG WITH LONG LATCHES (M3)**

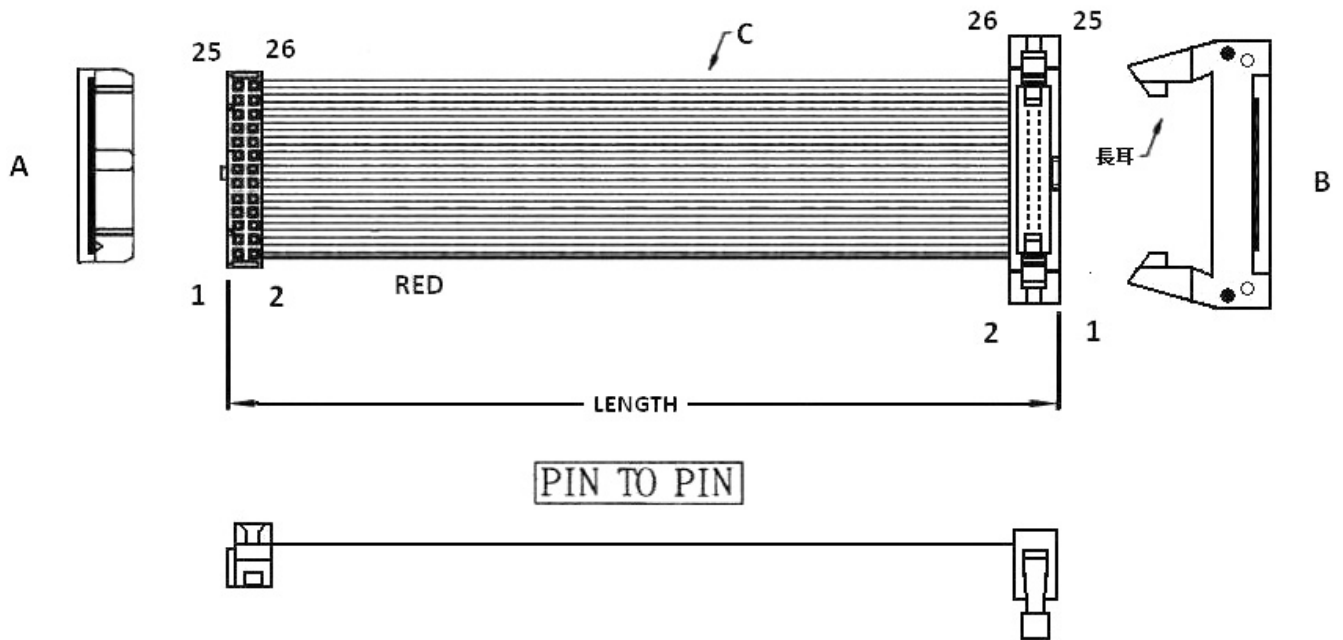


**ORDERING INFORMATION:**

**P/N**  $\frac{KA}{1} \frac{xx}{2} \frac{KW}{3} - \frac{xx}{4} CMA$   $\frac{A}{5}$

1. FLAT CABLE TYPE:  
"KA" 1.27MM AWG28 UL2651 VW-1 PVC  
INSULATION GRAY
2. NO. OF CONTACTS:  
10~64
3. CONNECTORS AT TWO ENDS:  
"KW" 2.54MM IDC SOCKET WITH NOSE & WITHOUT S.R. TO  
2.54MM IDC PLUG WITH LONG LATCHES
4. LENGTH IN CM (CENTIMETERS)
5. COLOR OF TWO IDC CONNECTORS:  
"A" GRAY

**1.27MM PITCH FLAT CABLE WITH 2.54MM IDC SOCKET WITHOUT STRAIN RELIEF (H=11.0MM) & 2.54MM IDC PLUG WITH LONG LATCHES (M4)**

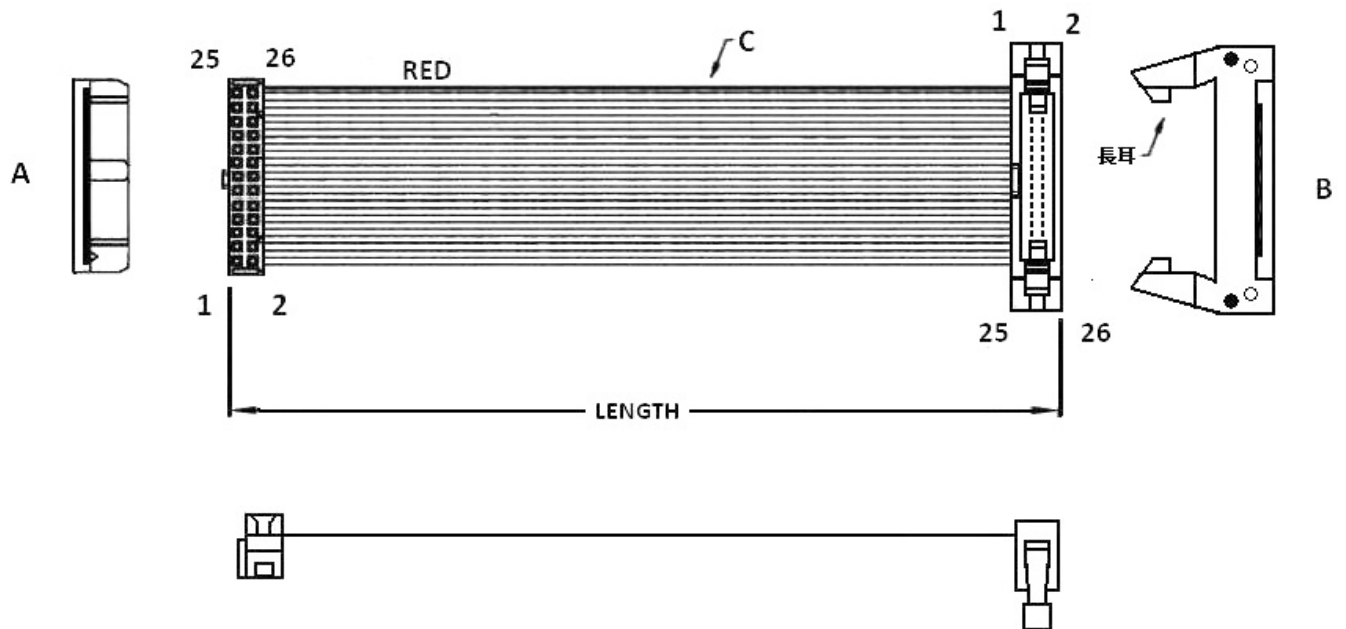


**ORDERING INFORMATION:**

**P/N**  $\frac{KA}{1}$   $\frac{xx}{2}$   $\frac{LW}{3}$  -  $\frac{xx}{4}$  **CM**  $\frac{A}{5}$

1. FLAT CABLE TYPE:  
"KA" 1.27MM AWG28 UL2651 VW-1 PVC  
INSULATION GRAY
2. NO. OF CONTACTS:  
10~64
3. CONNECTORS AT TWO ENDS:  
"LW" 2.54MM IDC SOCKET WITH NOSE & WITHOUT S.R. TO  
2.54MM IDC PLUG WITH LONG LATCHES
4. LENGTH IN CM (CENTIMETERS)
5. COLOR OF TWO IDC CONNECTORS:  
"A" GRAY

**1.27MM PITCH FLAT CABLE WITH 2.54MM IDC SOCKET WITHOUT STRAIN RELIEF (H=11.0MM) TO IDC PLUG WITH LONG LATCHES (M5)**



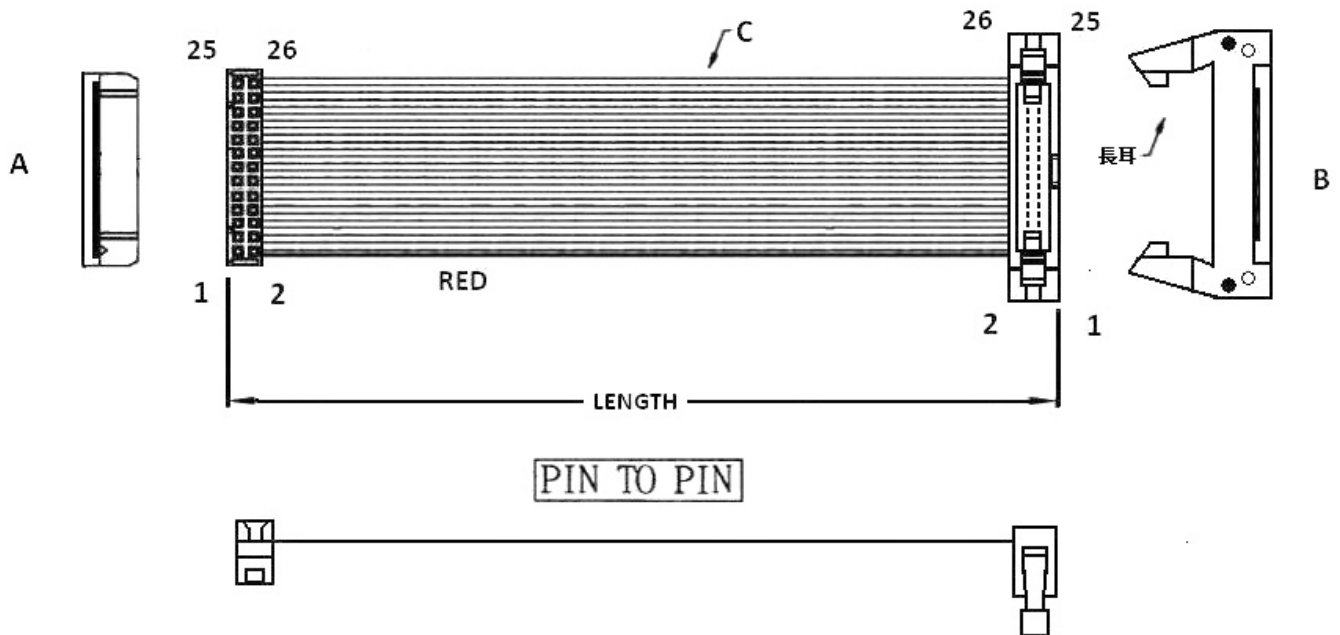
**ORDERING INFORMATION:**

**P/N**  $\frac{KA}{1} \frac{xx}{2} \frac{IZ}{3} - \frac{xx}{4} CMA \frac{A}{5}$

1. FLAT CABLE TYPE:  
"KA" 1.27MM AWG28 UL2651 VW-1 PVC  
INSULATION GRAY
2. NO. OF CONTACTS:  
10~64
3. CONNECTORS AT TWO ENDS:  
"IZ" 2.54MM IDC SOCKET WITH NOSE W/O S.R.  
TO 2.54MM IDC PLUG WITH LONG LATCHES
4. LENGTH IN CM (CENTIMETERS)
5. COLOR OF TWO IDC CONNECTORS:  
"A" GRAY



**1.27MM PITCH FLAT CABLE WITH 2.54MM IDC SOCKET WITHOUT STRAIN RELIEF (H=11.0MM) & 2.54MM IDC PLUG WITH LONG LATCHES (M6)**



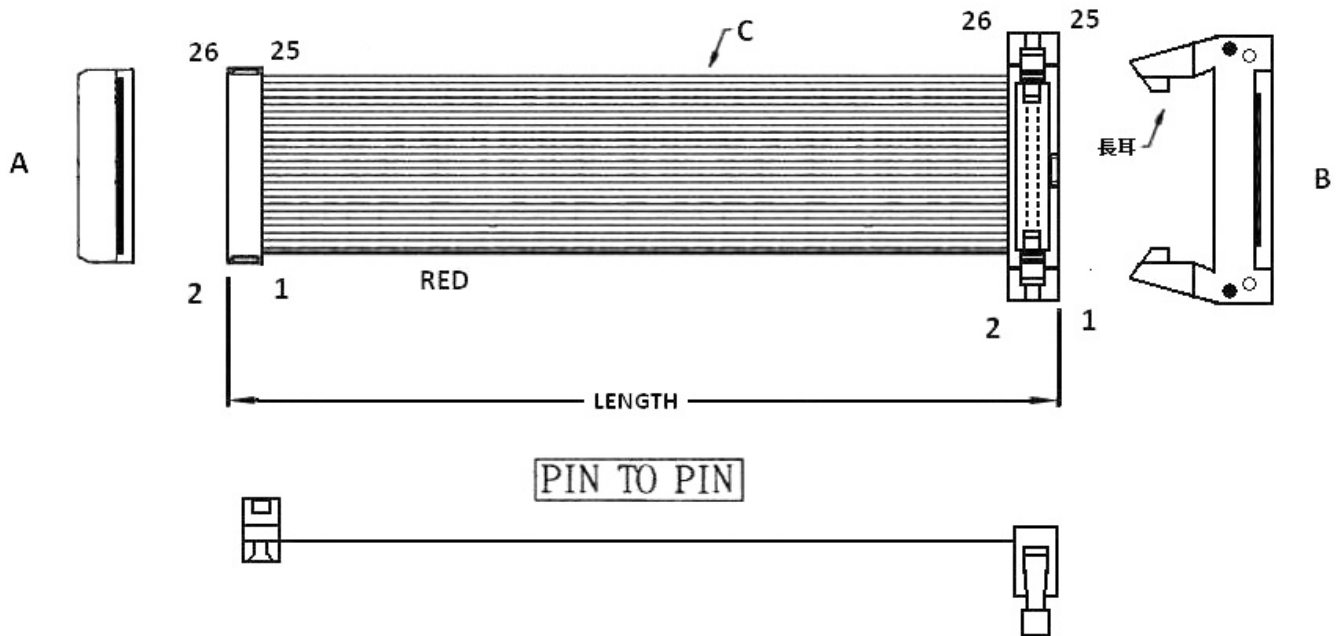
**ORDERING INFORMATION:**

**P/N**  $\frac{KA}{1} \frac{xx}{2} \frac{AW}{3} - \frac{xx}{4} \frac{CMA}{5}$

1. FLAT CABLE TYPE:  
"KA" 1.27MM AWG28 UL2651 VW-1 PVC  
INSULATION GRAY
2. NO. OF CONTACTS:  
10~64
3. CONNECTORS AT TWO ENDS:  
"AW" 2.54MM IDC SOCKET WITHOUT NOSE & WITHOUT S.R. TO  
2.54MM IDC PLUG WITH LONG LATCHES
4. LENGTH IN CM (CENTIMETERS)
5. COLOR OF TWO IDC CONNECTORS:  
"A" GRAY



**1.27MM PITCH FLAT CABLE WITH 2.54MM IDC SOCKET WITHOUT STRAIN RELIEF (H=11.0MM) & 2.54MM IDC PLUG WITH LONG LATCHES (M7)**

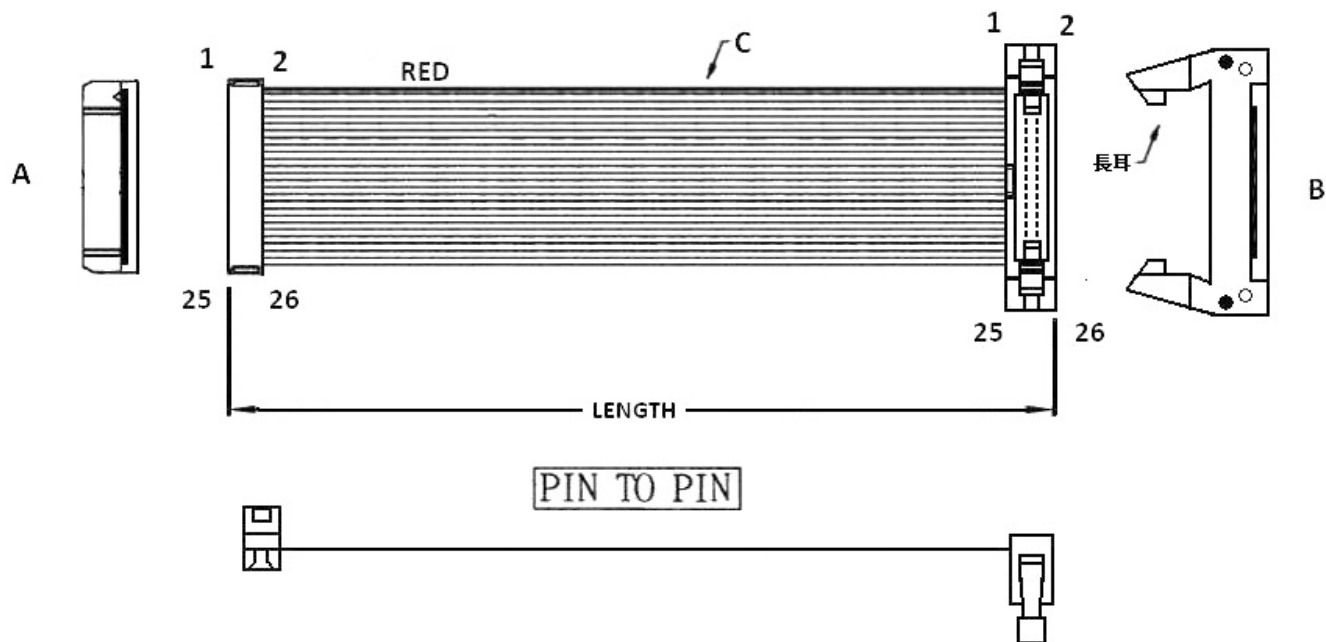


**ORDERING INFORMATION:**

**P/N**  $\frac{KA}{1}$   $\frac{xx}{2}$   $\frac{VW}{3}$  -  $\frac{xx}{4}$  **CM**  $\frac{A}{5}$

1. FLAT CABLE TYPE:  
"KA" 1.27MM AWG28 UL2651 VW-1 PVC INSULATION GRAY
2. NO. OF CONTACTS:  
10~64
3. CONNECTORS AT TWO ENDS:  
"VW" 2.54MM IDC SOCKET WITHOUT NOSE & WITHOUT S.R. TO 2.54MM IDC PLUG WITH LONG LATCHES
4. LENGTH IN CM (CENTIMETERS)
5. COLOR OF TWO IDC CONNECTORS:  
"A" GRAY

**1.27MM PITCH FLAT CABLE WITH 2.54MM IDC SOCKET WITHOUT STRAIN RELIEF (H=11.0MM) TO IDC PLUG WITH LONG LATCHES (M8)**

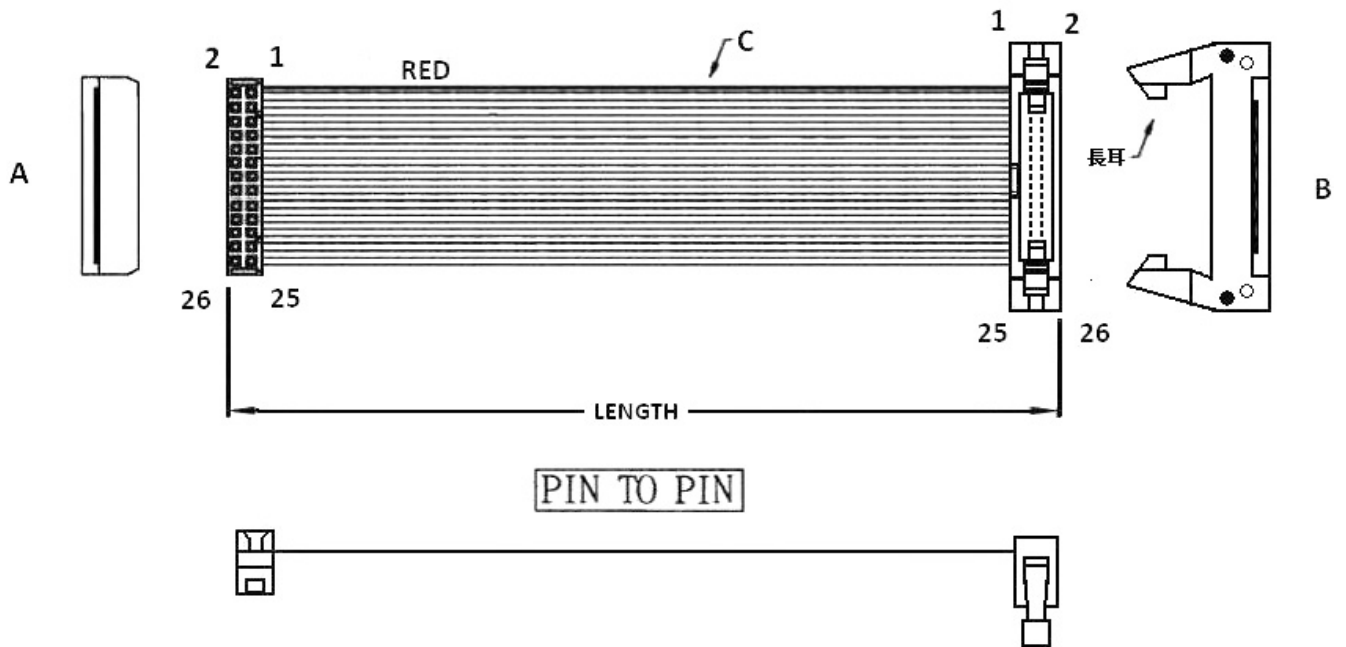


**ORDERING INFORMATION:**

**P/N**  $\frac{KA}{1} \frac{xx}{2} \frac{AZ}{3} - \frac{xx}{4} CMA \frac{A}{5}$

1. FLAT CABLE TYPE:  
"KA" 1.27MM AWG28 UL2651 VW-1 PVC INSULATION GRAY
2. NO. OF CONTACTS:  
10~64
3. CONNECTORS AT TWO ENDS:  
"AZ" 2.54MM IDC SOCKET W/O NOSE W/O S.R. TO 2.54MM IDC PLUG WITH LONG LATCHES
4. LENGTH IN CM (CENTIMETERS)
5. COLOR OF TWO IDC CONNECTORS:  
"A" GRAY

**1.27MM PITCH FLAT CABLE WITH 2.54MM IDC SOCKET WITHOUT STRAIN RELIEF (H=11.0MM) TO IDC PLUG WITH LONG LATCHES (M9)**

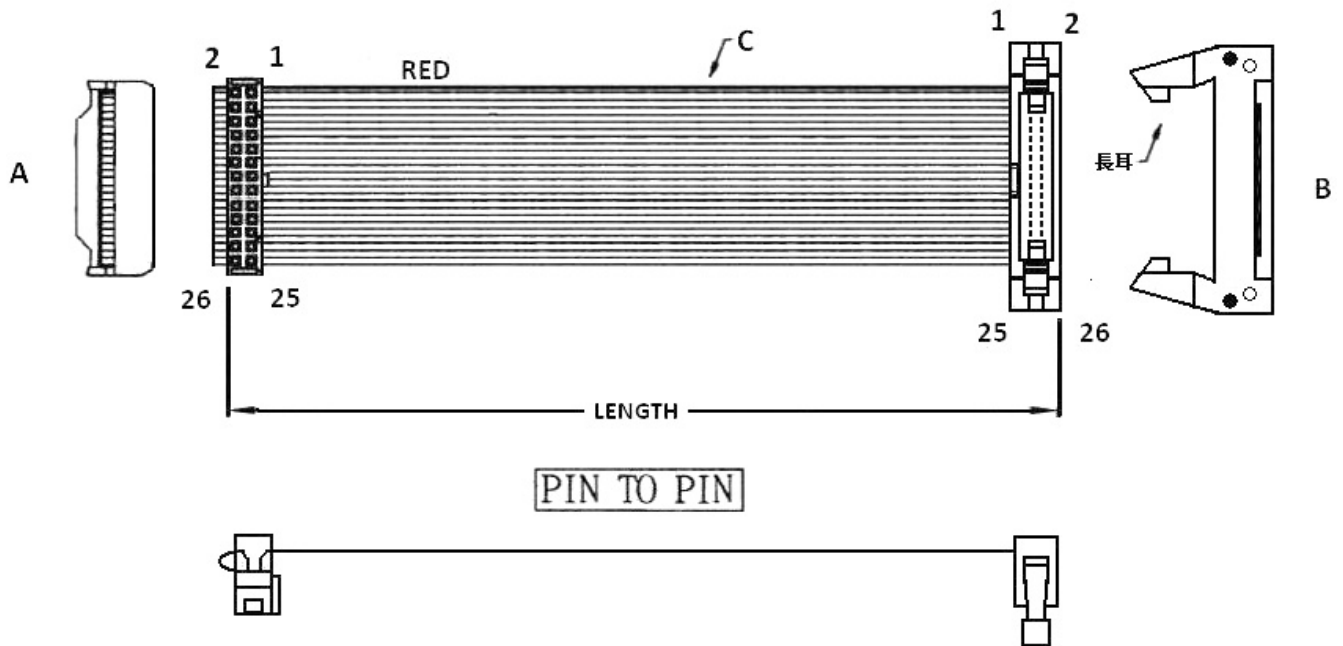


**ORDERING INFORMATION:**

**P/N**  $\frac{KA}{1} \frac{xx}{2} \frac{VZ}{3} - \frac{xx}{4} CMA \frac{A}{5}$

1. FLAT CABLE TYPE:  
"KA" 1.27MM AWG28 UL2651 VW-1 PVC  
INSULATION GRAY
2. NO. OF CONTACTS:  
10~64
3. CONNECTORS AT TWO ENDS:  
"VZ" 2.54MM IDC SOCKET W/O NOSE W/O S.R.  
TO 2.54MM IDC PLUG WITH LONG LATCHES
4. LENGTH IN CM (CENTIMETERS)
5. COLOR OF TWO IDC CONNECTORS:  
"A" GRAY

**1.27MM PITCH FLAT CABLE WITH 2.54MM IDC SOCKET WITH STRAIN RELIEF (H=16.0MM) TO IDC PLUG WITH LONG LATCHES (M10)**

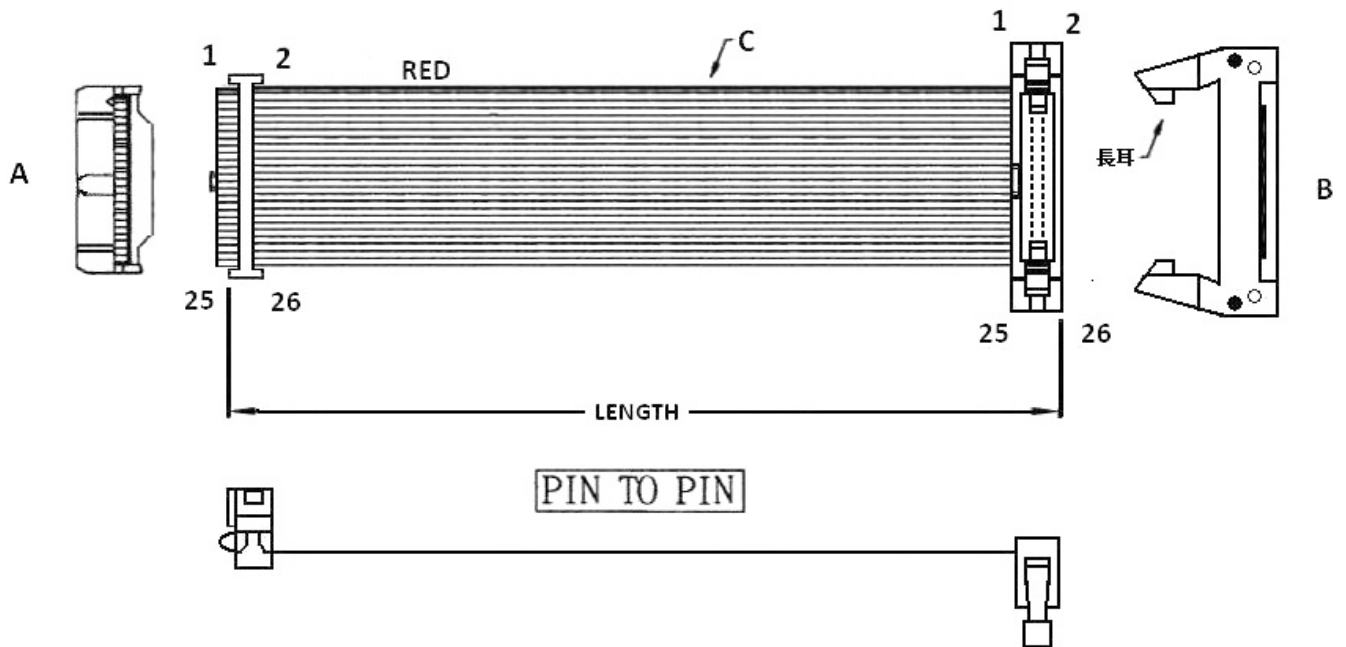


**ORDERING INFORMATION:**

**P/N**  $\frac{KA}{1} \frac{xx}{2} \frac{MZ}{3} - \frac{xx}{4} \frac{CMA}{5}$

1. FLAT CABLE TYPE:  
"KA" 1.27MM AWG28 UL2651 VW-1 PVC INSULATION GRAY
2. NO. OF CONTACTS:  
10~64
3. CONNECTORS AT TWO ENDS:  
"MZ" 2.54MM IDC SOCKET WITH NOSE & S.R. TO 2.54MM IDC PLUG WITH LONG LATCHES
4. LENGTH IN CM (CENTIMETERS)
5. COLOR OF TWO IDC CONNECTORS:  
"A" GRAY

**1.27MM PITCH FLAT CABLE WITH 2.54MM IDC SOCKET WITH STRAIN RELIEF (H=16.0MM) TO IDC PLUG WITH LONG LATCHES (M11)**

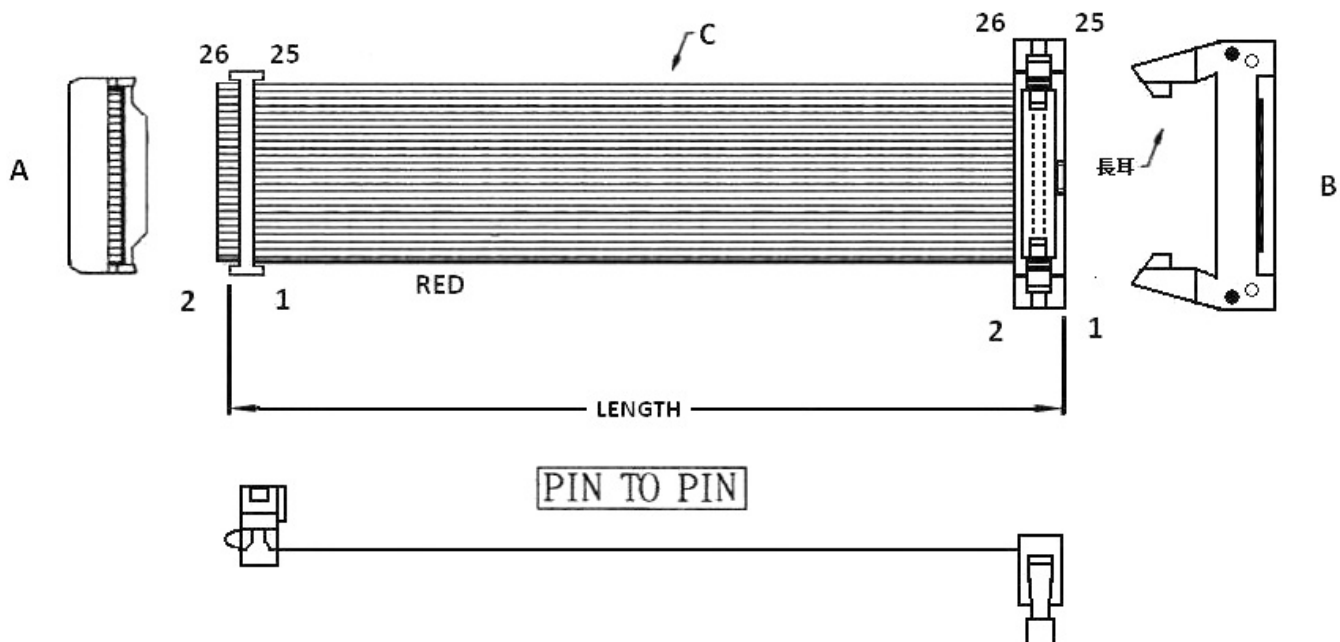


**ORDERING INFORMATION:**

**P/N**  $\frac{KA}{1} \frac{xx}{2} \frac{NZ}{3} - \frac{xx}{4} CMA \frac{A}{5}$

1. FLAT CABLE TYPE:  
"KA" 1.27MM AWG28 UL2651 VW-1 PVC INSULATION GRAY
2. NO. OF CONTACTS:  
10~64
3. CONNECTORS AT TWO ENDS:  
"NZ" 2.54MM IDC SOCKET WITH NOSE & S.R. TO 2.54MM IDC PLUG WITH LONG LATCHES
4. LENGTH IN CM (CENTIMETERS)
5. COLOR OF TWO IDC CONNECTORS:  
"A" GRAY

**1.27MM PITCH FLAT CABLE WITH 2.54MM IDC SOCKET WITH STRAIN RELIEF (H=16.0MM) & 2.54MM IDC PLUG WITH LONG LATCHES (M12)**

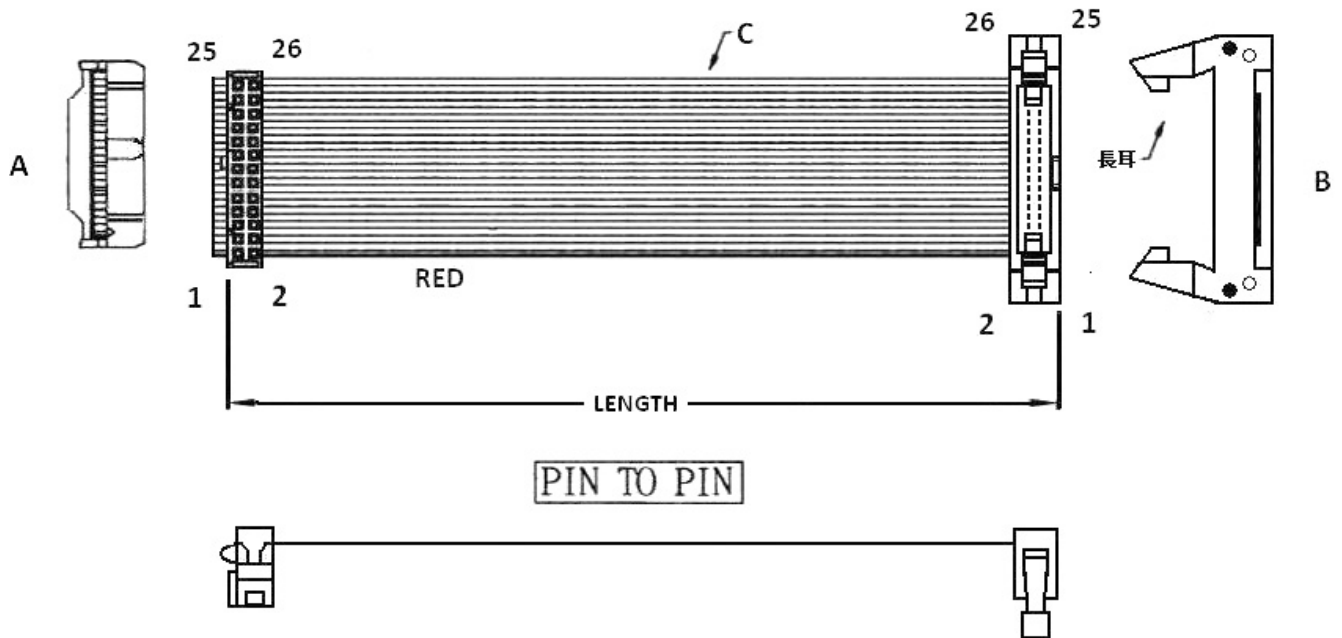


**ORDERING INFORMATION:**

**P/N**  $\frac{\text{K A}}{1}$   $\frac{\text{x x}}{2}$   $\frac{\text{M W}}{3}$  -  $\frac{\text{x x}}{4}$  **C M A**  $\frac{5}{5}$

1. FLAT CABLE TYPE:  
"KA" 1.27MM AWG28 UL2651 VW-1 PVC INSULATION GRAY
2. NO. OF CONTACTS:  
10~64
3. CONNECTORS AT TWO ENDS:  
"MW" 2.54MM IDC SOCKET WITH NOSE & S.R. TO 2.54MM IDC PLUG WITH LONG LATCHES
4. LENGTH IN CM (CENTIMETERS)
5. COLOR OF TWO IDC CONNECTORS:  
"A" GRAY

**1.27MM PITCH FLAT CABLE WITH 2.54MM IDC SOCKET WITH STRAIN RELIEF (H=16.0MM) & 2.54MM IDC PLUG WITH LONG LATCHES (M13)**

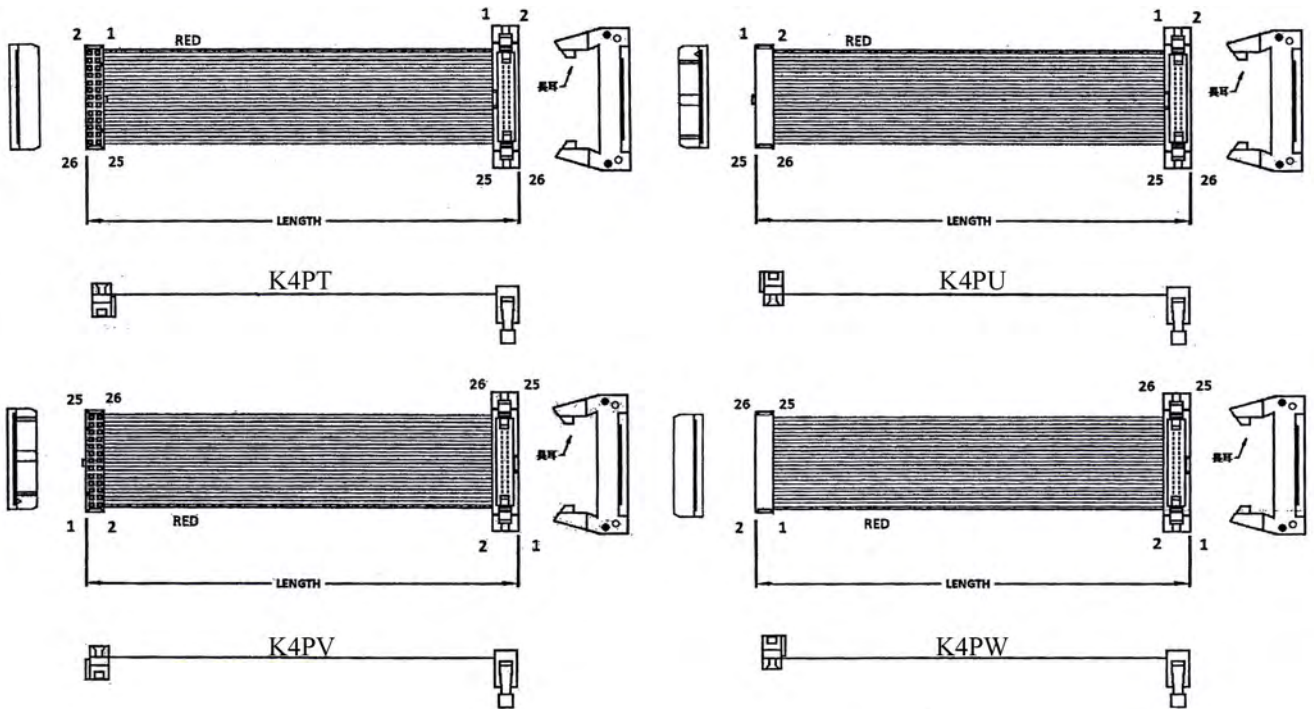


**ORDERING INFORMATION:**

**P/N**  $\frac{KA}{1}$   $\frac{xx}{2}$   $\frac{NW}{3}$  -  $\frac{xx}{4}$  **CM**  $\frac{A}{5}$

1. FLAT CABLE TYPE:  
"KA" 1.27MM AWG28 UL2651 VW-1 PVC INSULATION GRAY
2. NO. OF CONTACTS:  
10~64
3. CONNECTORS AT TWO ENDS:  
"NW" 2.54MM IDC SOCKET WITH NOSE & S.R. TO 2.54MM IDC PLUG WITH LONG LATCHES
4. LENGTH IN CM (CENTIMETERS)
5. COLOR OF TWO IDC CONNECTORS:  
"A" GRAY

**1.27MM PITCH FLAT CABLE WITH 2.54MM IDC SOCKET WITHOUT S.R. (H=9.5MM) TO IDC PLUG WITH LONG LATCHES (M14)**



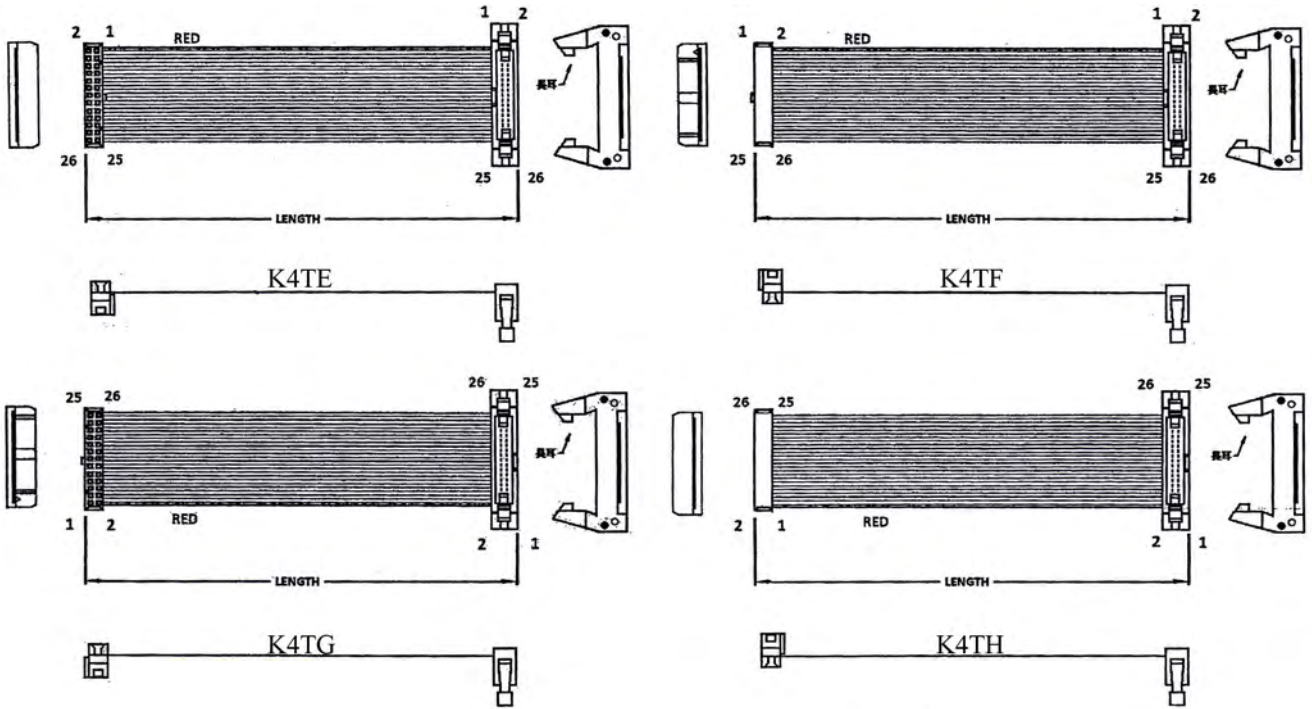
**ORDERING INFORMATION:**

**P/N K  $\frac{x}{1} \frac{x}{2} \frac{x}{3} \frac{x}{4}$  C M D**

1. CONSTRUCTION TYPE:  
4PT, 4PU, 4PV, 4PW
2. NO. OF CONTACTS:  
010~064
3. LENGTH IN CM (CENTIMETERS)
4. COLOR OF TWO IDC CONNECTORS:  
"D" BLACK(SOCKET)+GRAY(HEADER)



**1.27MM PITCH FLAT CABLE WITH 2.54MM IDC SOCKET WITH DUAL U-SLOT & DUAL CONTACT (H=10.5MM) TO IDC PLUG WITH LONG LATCHES (M15)**

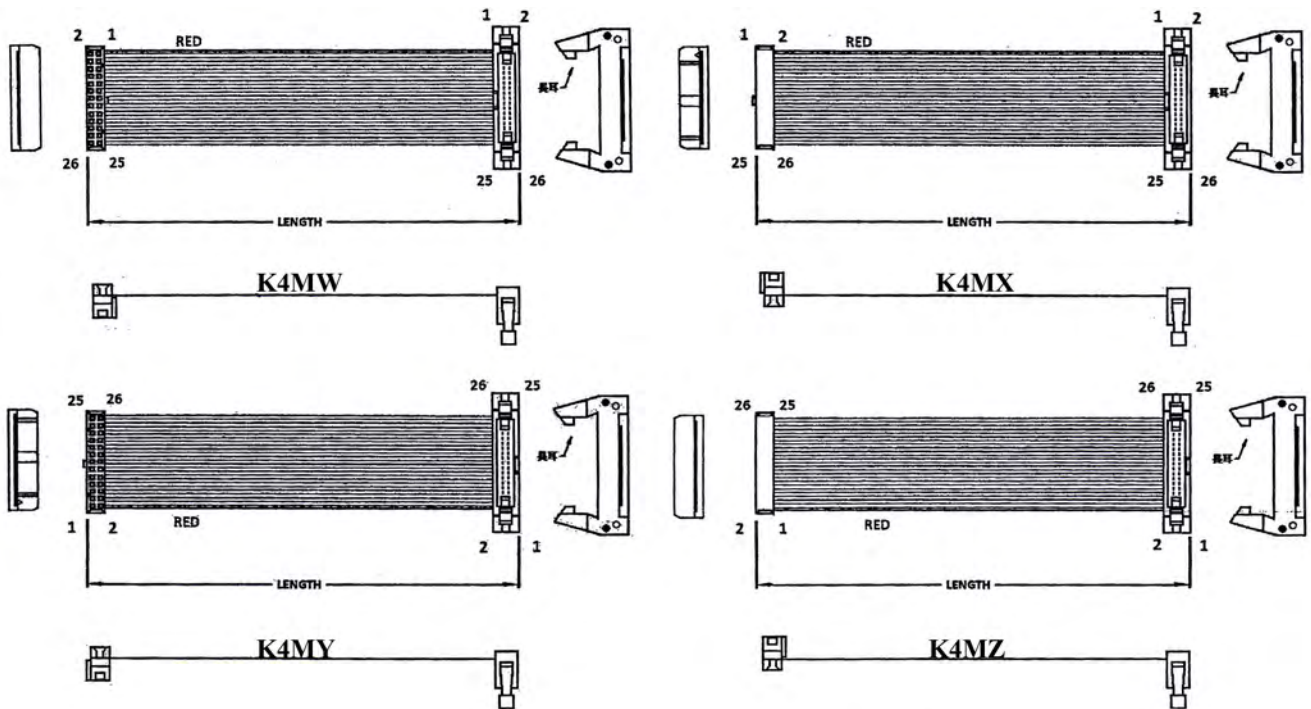


**ORDERING INFORMATION:**

**P/N K 1 2 3 4**

1. CONSTRUCTION TYPE:  
4TE, 4TF, 4TG, 4TH
2. NO. OF CONTACTS:  
010~064
3. LENGTH IN CM (CENTIMETERS)
4. COLOR OF TWO IDC CONNECTORS:  
"D" BLACK(SOCKET)+GRAY(HEADER)

**1.27MM PITCH FLAT CABLE WITH 2.54MM IDC SOCKET W/O S.R. DUAL WIPE CONTACT TYPE (H=10.5MM) TO IDC PLUG WITH LONG LATCHES (M16)**

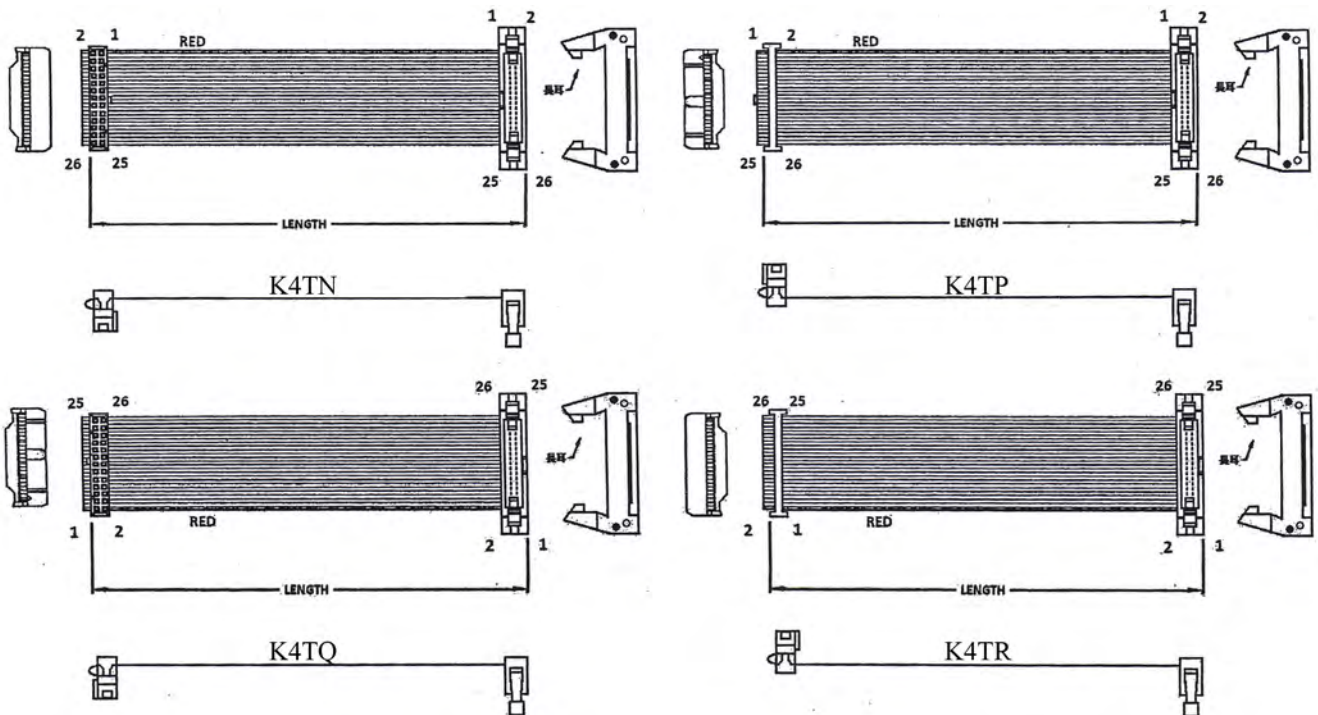


**ORDERING INFORMATION:**

**P/N K  $\frac{x}{1} \frac{x}{2} \frac{x}{3} \frac{x}{4}$  C M x**

- 1. CONSTRUCTION TYPE:  
4MW, 4MX, 4MY, 4MZ
- 2. NO. OF CONTACTS:  
010~064
- 3. LENGTH IN CM (CENTIMETERS)
- 4. COLOR OF TWO IDC CONNECTORS:  
"A" GRAY+GRAY  
"D" BLACK(SOCKET)+GRAY(HEADER)

**1.27MM PITCH FLAT CABLE WITH 2.54MM IDC SOCKET WITH DUAL U-SLOT & DUAL CONTACT (H=14.4MM) TO IDC PLUG WITH LONG LATCHES (M17)**

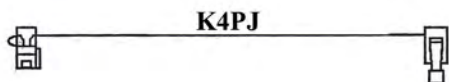
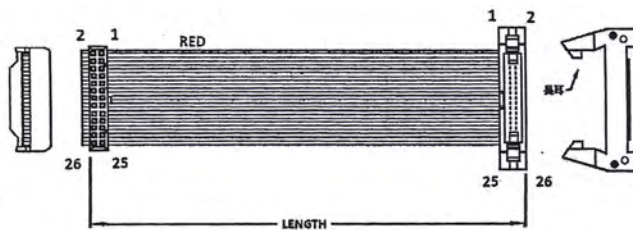


**ORDERING INFORMATION:**

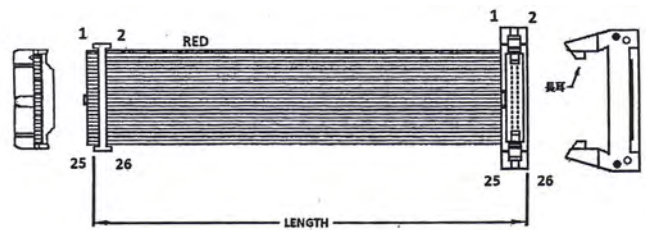
**P/N** K 1 2 3 4

1. CONSTRUCTION TYPE:  
4TN, 4TP, 4TQ, 4TR
2. NO. OF CONTACTS:  
010~064
3. LENGTH IN CM (CENTIMETERS)
4. COLOR OF TWO IDC CONNECTORS:  
"D" BLACK(SOCKET)+GRAY(HEADER)

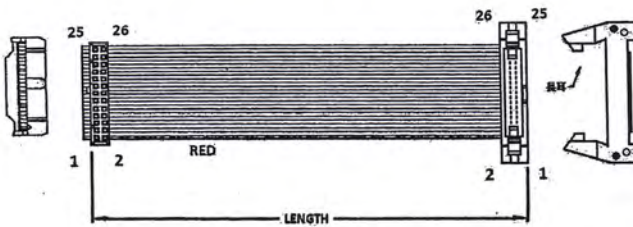
**1.27MM PITCH FLAT CABLE WITH 2.54MM IDC SOCKET WITH S.R. DUAL WIPE CONTACT TYPE (H=14.4MM) TO IDC PLUG WITH LONG LATCHES (M18)**



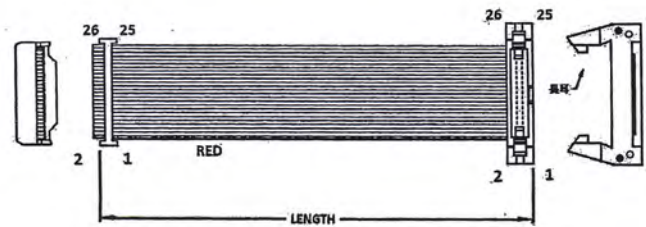
**K4PJ**



**K4PK**



**K4PL**



**K4PM**

**ORDERING INFORMATION:**

**P/N K  $\frac{x}{1} \frac{x}{2} \frac{x}{3} \frac{x}{4}$  -  $\frac{x}{3} \frac{x}{4}$  C M  $\frac{x}{4}$**

1. CONSTRUCTION TYPE:  
4PJ, 4PK, 4PL, 4PM
2. NO. OF CONTACTS:  
010~064
3. LENGTH IN CM (CENTIMETERS)
4. COLOR OF TWO IDC CONNECTORS:  
"A" GRAY+GRAY  
"D" BLACK(SOCKET)+GRAY(HEADER)