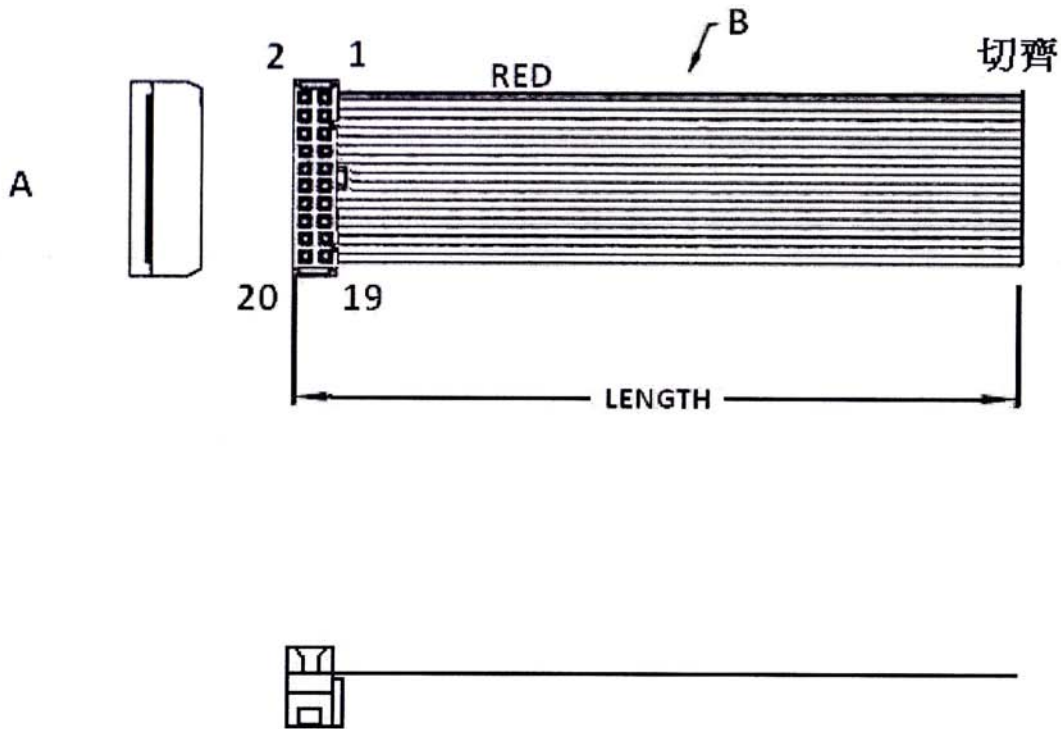


**1.27MM PITCH FLAT CABLE WITH
2.54MM PITCH IDC SOCKET WITHOUT STRAIN RELIEF (H=11.0MM) TO OPEN END (1)**

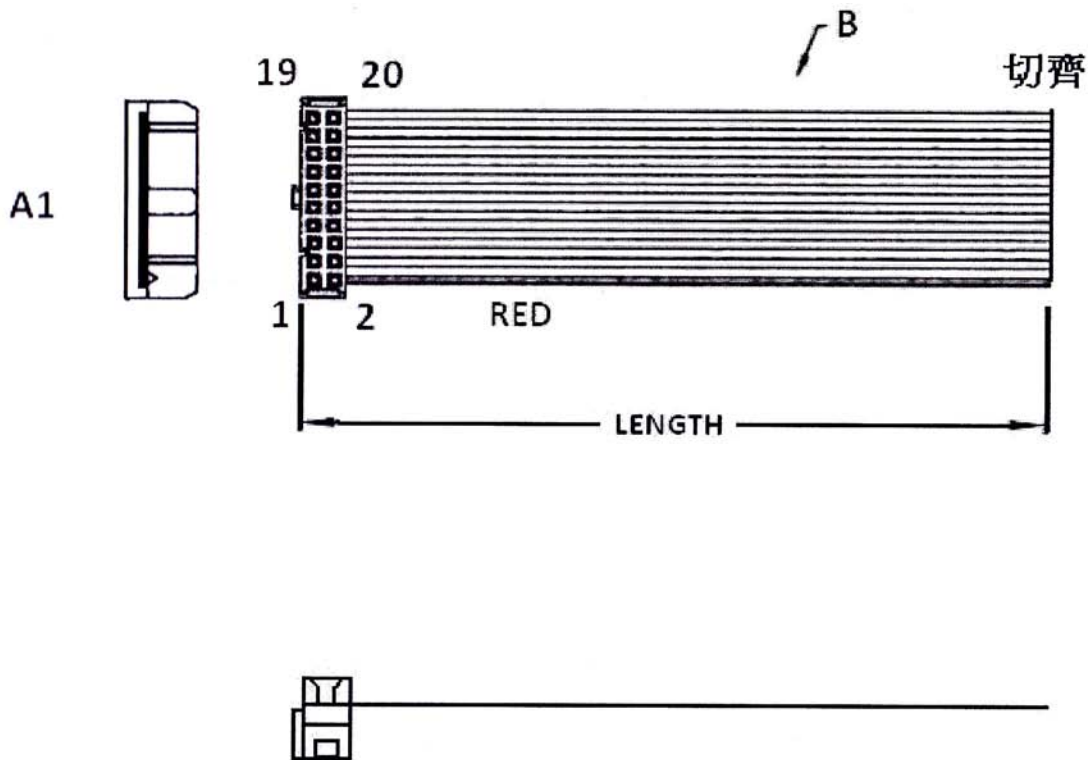


ORDERING INFORMATION:

P/N $\frac{KA}{1} \frac{xx}{2} \frac{KO}{3} - \frac{xx}{4} \frac{CM}{5} \frac{x}{5}$

1. FLAT CABLE TYPE:
"KA" 1.27MM AWG28 UL2651 VW-1
PVC INSULATION GRAY
2. NO. OF CONTACTS:
06~64
3. CONNECTORS AT TWO ENDS:
"KO" 2.54MM IDC SOCKET W/O S.R. & WITH NOSE
TO OPEN END
4. LENGTH IN CM (CENTIMETERS)
5. COLOR OF IDC CONNECTOR:
"B" BLACK
"A" GRAY

**1.27MM PITCH FLAT CABLE WITH
2.54MM PITCH IDC SOCKET WITHOUT STRAIN RELIEF (H=11.0MM) TO OPEN END (2)**

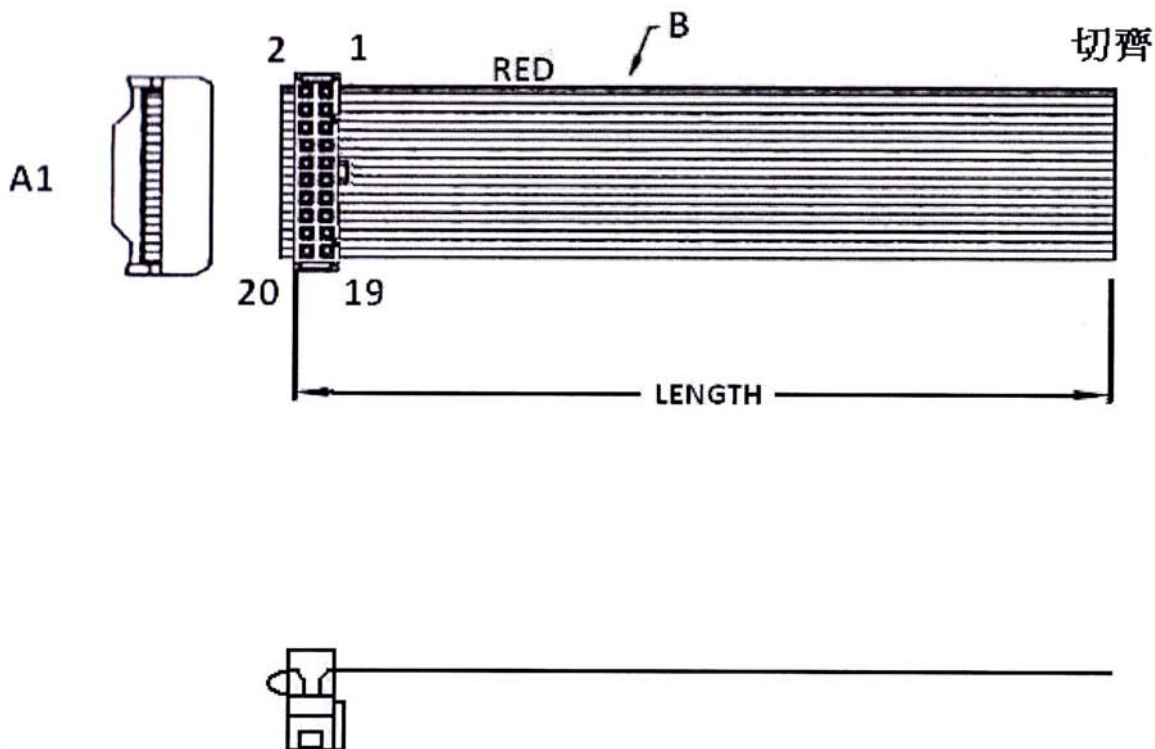


ORDERING INFORMATION:

P/N $\frac{\text{KA}}{1} \frac{\text{xx}}{2} \frac{\text{LO}}{3} - \frac{\text{xx}}{4} \text{CM} \frac{\text{x}}{5}$

1. FLAT CABLE TYPE:
"KA" 1.27MM AWG28 UL2651 VW-1
PVC INSULATION GRAY
2. NO. OF CONTACTS:
06~64
3. CONNECTORS AT TWO ENDS:
"LO" 2.54MM IDC SOCKET W/O S.R. & WITH NOSE
TO OPEN END
4. LENGTH IN CM (CENTIMETERS)
5. COLOR OF IDC CONNECTOR:
"B" BLACK
"A" GRAY

**1.27MM PITCH FLAT CABLE WITH
2.54MM PITCH IDC SOCKET WITH STRAIN RELIEF (H=16.0MM) TO OPEN END (1)**

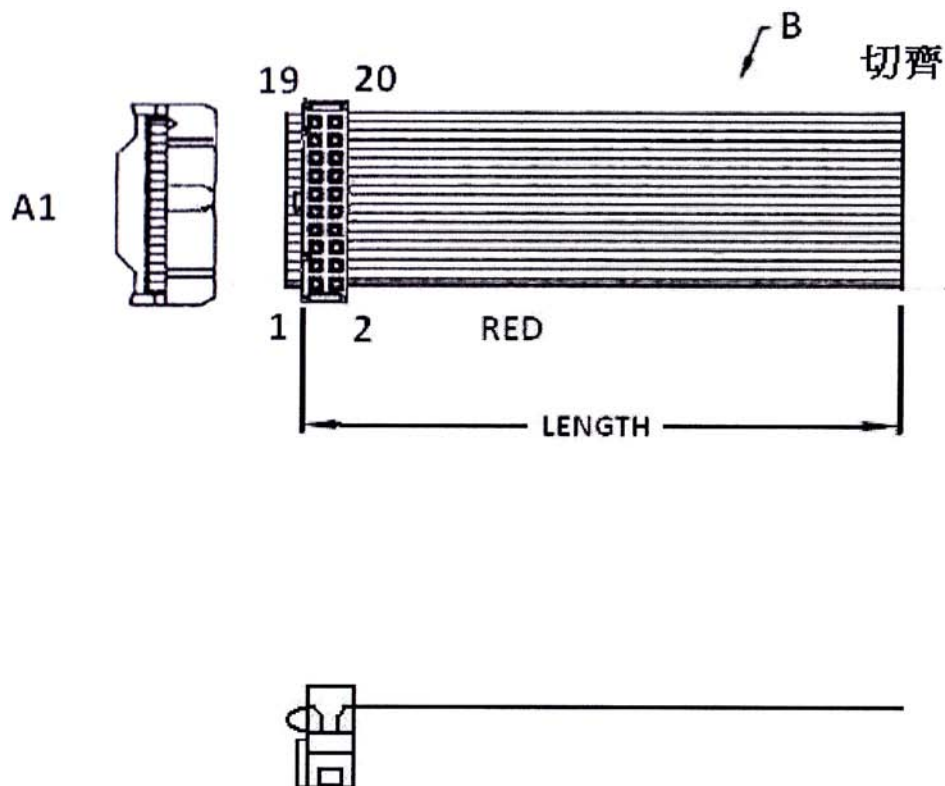


ORDERING INFORMATION:

P/N $\frac{\text{KA}}{1}$ $\frac{\text{xx}}{2}$ $\frac{\text{MO}}{3}$ - $\frac{\text{xx}}{4}$ **CM** $\frac{\text{x}}{5}$

1. FLAT CABLE TYPE:
"KA" 1.27MM AWG28 UL2651 VW-1
PVC INSULATION GRAY
2. NO. OF CONTACTS:
06~64
3. CONNECTORS AT TWO ENDS:
"MO" 2.54MM IDC SOCKET WITH S.R. & NOSE
TO OPEN END
4. LENGTH IN CM (CENTIMETERS)
5. COLOR OF IDC CONNECTOR:
"B" BLACK
"A" GRAY

**1.27MM PITCH FLAT CABLE WITH
2.54MM PITCH IDC SOCKET WITH STRAIN RELIEF (H=16.0MM) TO OPEN END (2)**

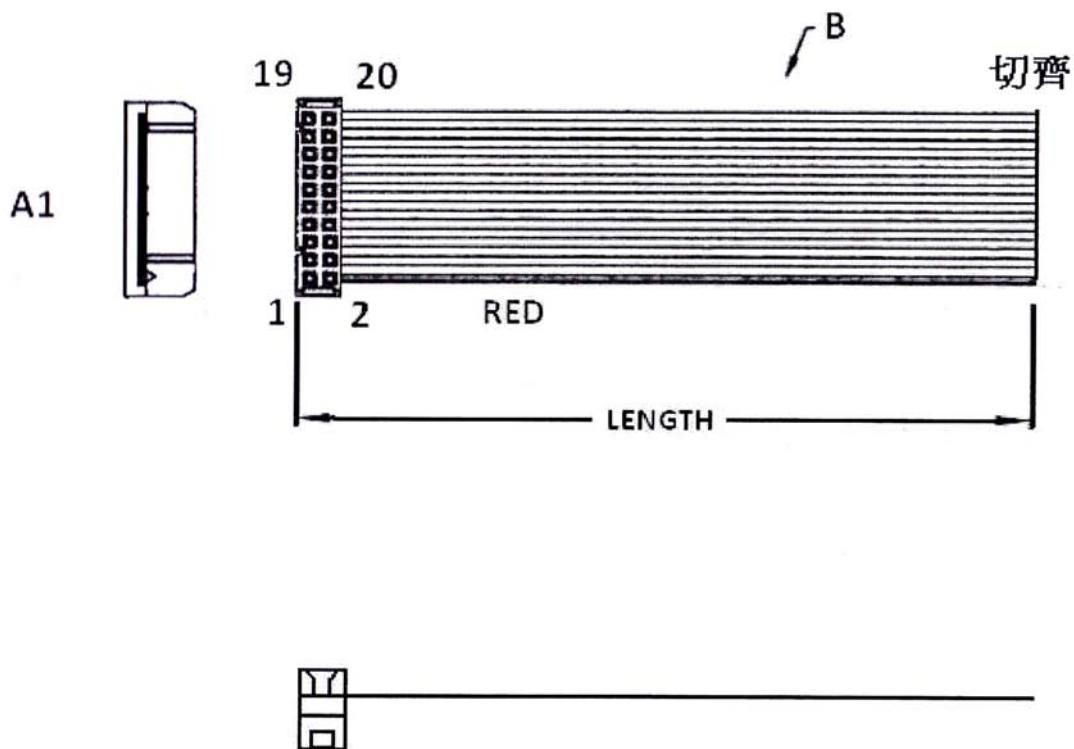


ORDERING INFORMATION:

P/N $\frac{KA}{1} \frac{xx}{2} \frac{NO}{3} - \frac{xx}{4} \frac{CM}{5} \frac{x}{5}$

1. FLAT CABLE TYPE:
"KA" 1.27MM AWG28 UL2651 VW-1
PVC INSULATION GRAY
2. NO. OF CONTACTS:
06~64
3. CONNECTORS AT TWO ENDS:
"NO" 2.54MM IDC SOCKET WITH S.R. & NOSE
TO OPEN END
4. LENGTH IN CM (CENTIMETERS)
5. COLOR OF IDC CONNECTOR:
"B" BLACK
"A" GRAY

**1.27MM PITCH FLAT CABLE WITH
2.54MM PITCH IDC SOCKET WITHOUT NOSE (H=11.0MM) TO OPEN END (1)**

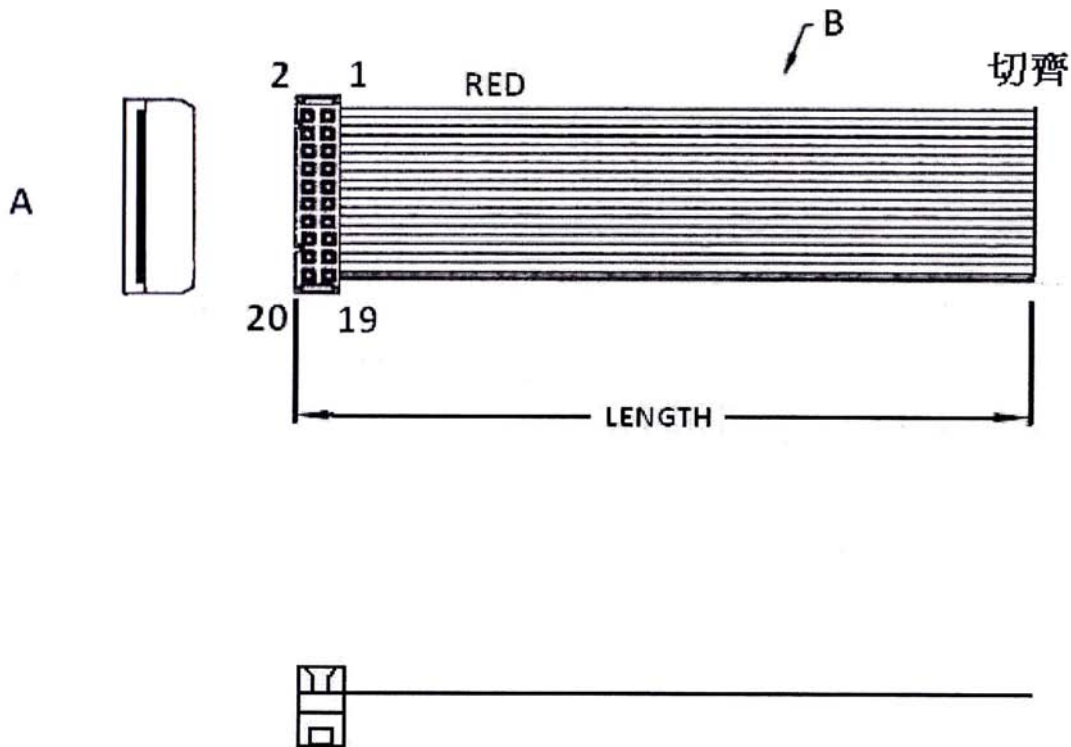


ORDERING INFORMATION:

P/N $\frac{KA}{1} \frac{xx}{2} \frac{AO}{3} - \frac{xx}{4} CM \frac{x}{5}$

1. FLAT CABLE TYPE:
"KA" 1.27MM AWG28 UL2651 VW-1
PVC INSULATION GRAY
2. NO. OF CONTACTS:
06~64
3. CONNECTORS AT TWO ENDS:
"AO" 2.54MM IDC SOCKET W/O S.R. & W/O NOSE
TO OPEN END
4. LENGTH IN CM (CENTIMETERS)
5. COLOR OF IDC CONNECTOR:
"B" BLACK
"A" GRAY

**1.27MM PITCH FLAT CABLE WITH
2.54MM PITCH IDC SOCKET WITHOUT NOSE (H=11.0MM) TO OPEN END (2)**

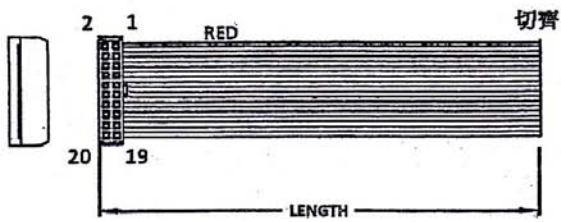


ORDERING INFORMATION:

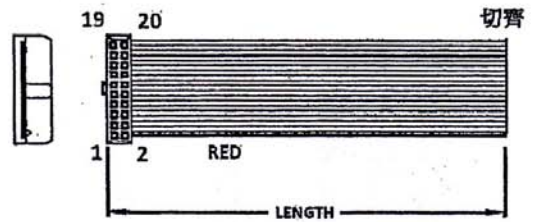
P/N $\frac{\text{KA}}{1}$ $\frac{\text{xx}}{2}$ $\frac{\text{VO}}{3}$ - $\frac{\text{xx}}{4}$ **CM** $\frac{\text{x}}{5}$

1. FLAT CABLE TYPE:
"KA" 1.27MM AWG28 UL2651 VW-1
PVC INSULATION GRAY
2. NO. OF CONTACTS:
06~64
3. CONNECTORS AT TWO ENDS:
"VO" 2.54MM IDC SOCKET W/O S.R. & W/O NOSE
TO OPEN END
4. LENGTH IN CM (CENTIMETERS)
5. COLOR OF IDC CONNECTOR:
"B" BLACK
"A" GRAY

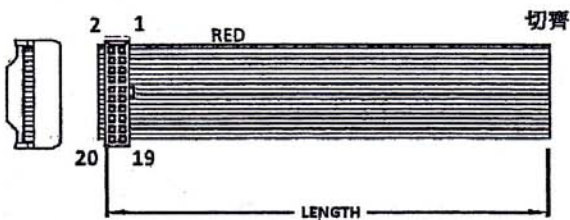
1.27MM PITCH FLAT CABLE WITH 2.54MM IDC SOCKET WITH DUAL U-SLOT & DUAL CONTACTS (H=10.5MM & 14.4MM) TO OPEN END



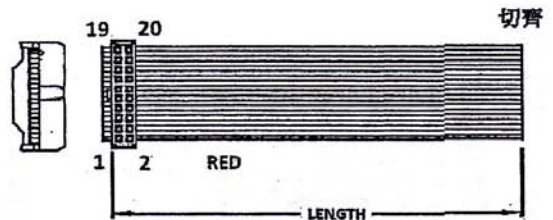
K4VJ



K4VK



K4VL



K4VM

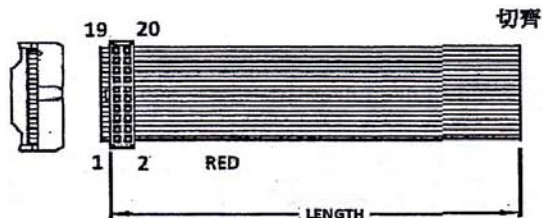
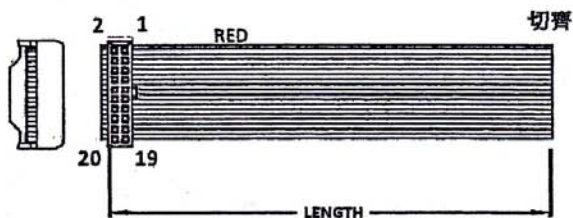
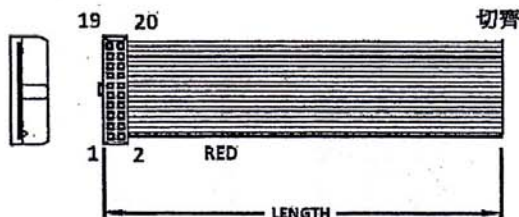
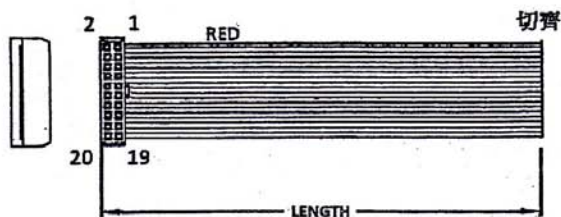
ORDERING INFORMATION:

P/N K 1 2 3 4

1. CONSTRUCTION TYPE:
IDC SOCKET W/O S.R. : 4VJ, 4VK (H=10.5MM)
IDC SOCKET WITH S.R. : 4VL, 4VM (H=14.4MM)
2. NO. OF CONTACTS:
3. LENGTH IN CM (CENTIMETERS)
4. COLOR OF IDC CONNECTOR:
"B" BLACK

NOTE: IDC SOCKET CAN'T BE SUPPLIED ALONE.

1.27MM PITCH FLAT CABLE WITH 2.54MM IDC SOCKET WITH DUAL WIPE CONTACTS (H=10.5MM & 14.4MM) TO OPEN END



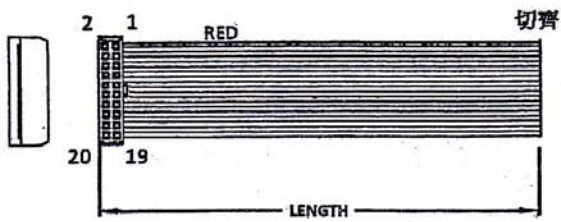
ORDERING INFORMATION:

P/N K $\frac{x}{1} \frac{x}{2} \frac{x}{3} \frac{x}{4}$ - $\frac{x}{3} \frac{x}{4}$ CM $\frac{x}{4}$

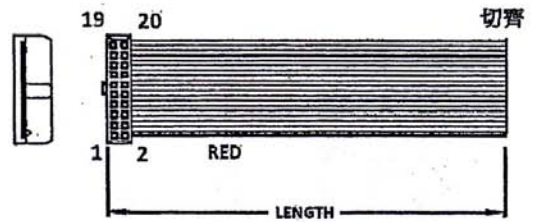
1. CONSTRUCTION TYPE:
IDC SOCKET W/O S.R. : 4VE, 4VF (H=10.5MM)
IDC SOCKET WITH S.R. : 4VG, 4VH (H=14.4MM)
2. NO. OF CONTACTS:
006~064
3. LENGTH IN CM (CENTIMETERS)
4. COLOR OF IDC CONNECTOR:
"B" BLACK
"A" GRAY

NOTE: IDC SOCKET CAN'T BE SUPPLIED ALONE.

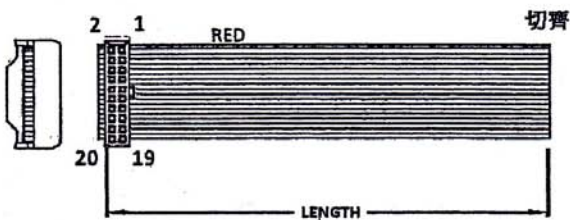
1.27MM PITCH FLAT CABLE WITH 2.54MM IDC SOCKET (H=10.5MM & 14.4MM) TO OPEN END



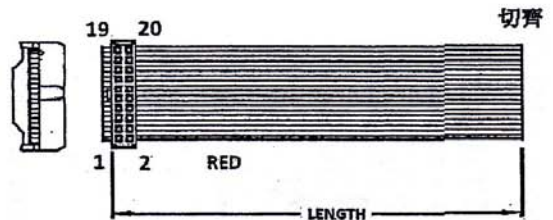
K4VA



K4VB



K4VC



K4VD

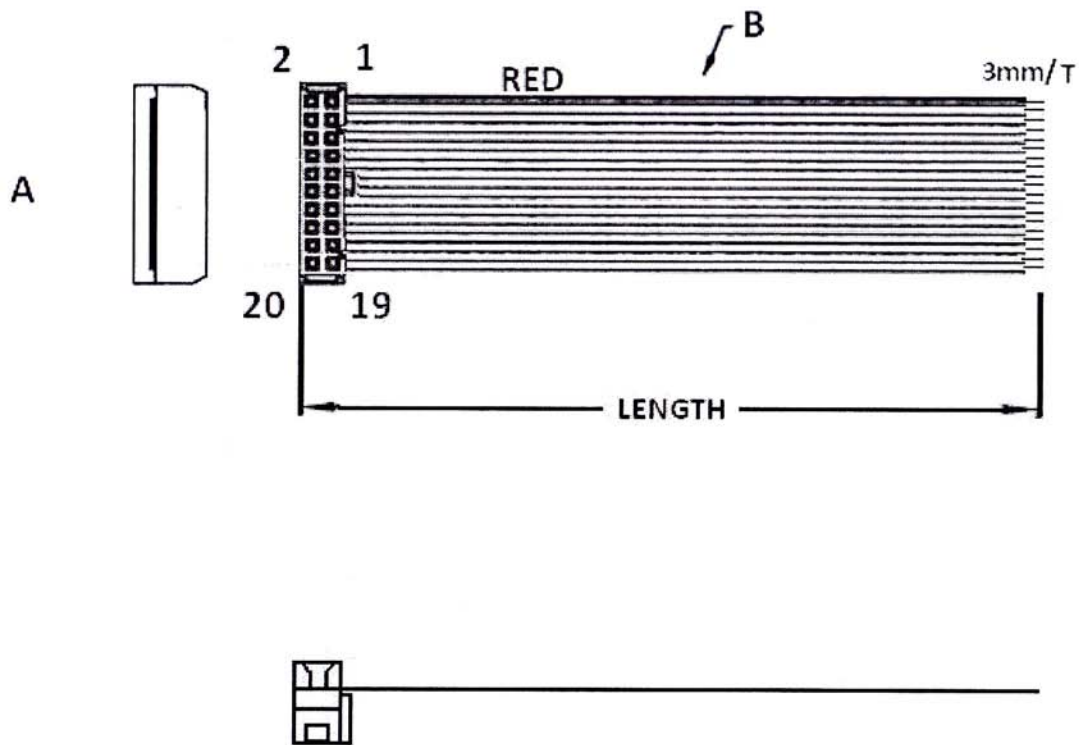
ORDERING INFORMATION:

P/N K $\frac{1}{x} \frac{2}{x} \frac{3}{x} \frac{4}{x} - \frac{5}{x} \frac{6}{x} \frac{7}{x} \frac{8}{x} \frac{9}{x} \frac{0}{x}$ CM $\frac{1}{x}$

1. CONSTRUCTION TYPE:
IDC SOCKET W/O S.R. : 4VA, 4VB (H=10.5MM)
IDC SOCKET WITH S.R. : 4VC, 4VD (H=14.4MM)
2. NO. OF CONTACTS:
004~064
3. LENGTH IN CM (CENTIMETERS)
4. COLOR OF IDC CONNECTOR:
"B" BLACK
"A" GRAY

NOTE: IDC SOCKET CAN'T BE SUPPLIED ALONE.

1.27MM PITCH FLAT CABLE WITH 2.54MM PITCH IDC SOCKET WITHOUT STRAIN RELIEF (H=11.0MM) TO TINNED END (1)

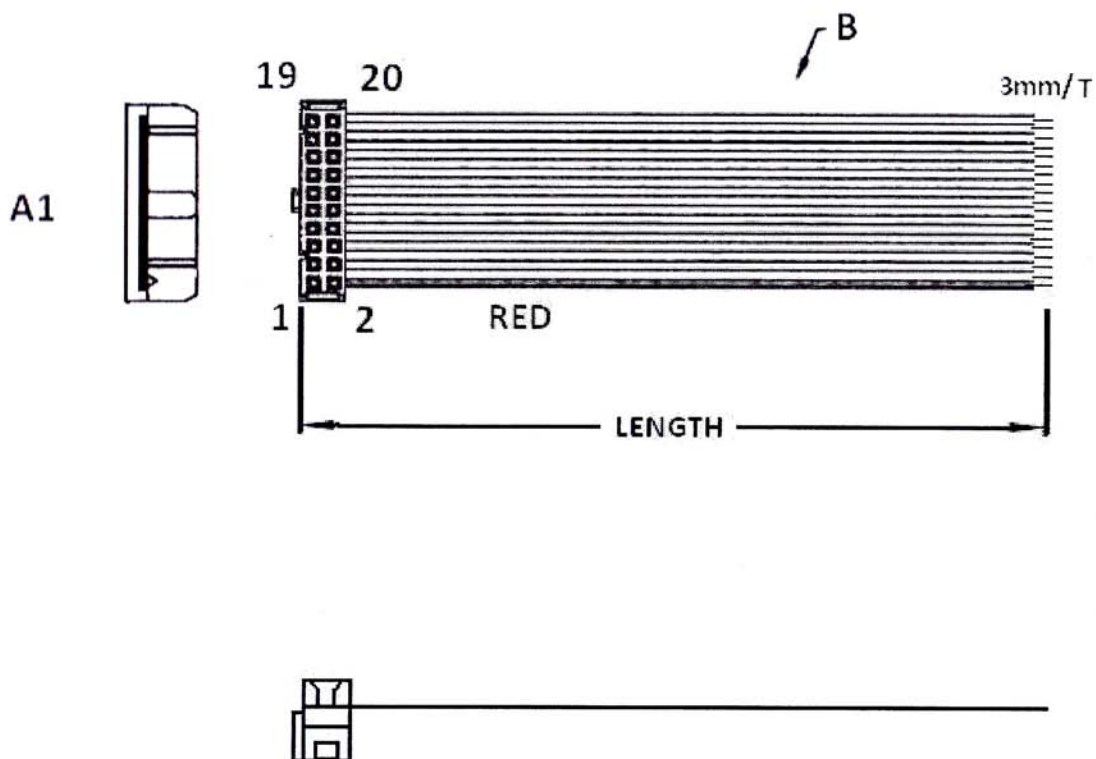


ORDERING INFORMATION:

P/N $\frac{\text{KA}}{1} \frac{\text{xx}}{2} \frac{\text{KT}}{3} - \frac{\text{xx}}{4} \text{CM} \frac{\text{x}}{5}$

1. FLAT CABLE TYPE:
"KA" 1.27MM AWG28 UL2651 VW-1
PVC INSULATION GRAY
2. NO. OF CONTACTS:
06~64
3. CONNECTORS AT TWO ENDS:
"KT" 2.54MM IDC SOCKET W/O S.R. WITH NOSE
TO 3MM TIN PLATED END
4. LENGTH IN CM (CENTIMETERS)
5. COLOR OF IDC CONNECTOR:
"B" BLACK
"A" GRAY

1.27MM PITCH FLAT CABLE WITH 2.54MM PITCH IDC SOCKET WITHOUT STRAIN RELIEF (H=11.0MM) TO TINNED END (2)



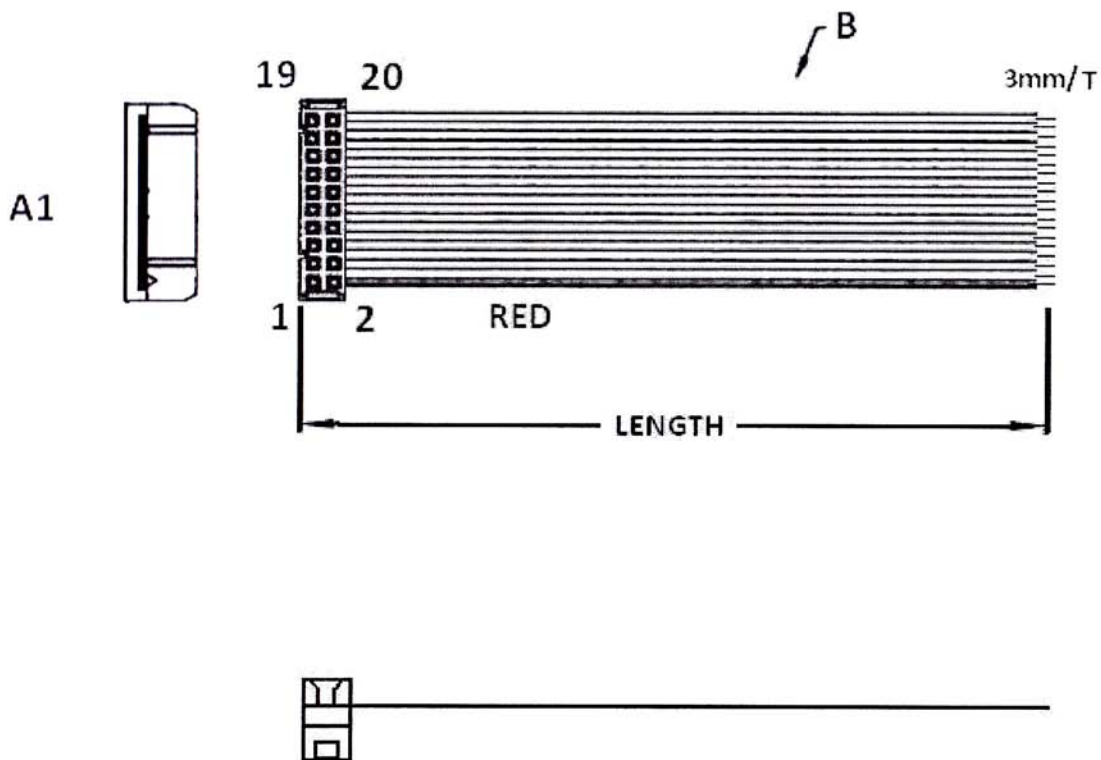
ORDERING INFORMATION:

NEW

P/N $\frac{KA}{1} \frac{xx}{2} \frac{LT}{3} - \frac{xx}{4} \frac{CM}{5} x$

1. FLAT CABLE TYPE:
"KA" 1.27MM AWG28 UL2651 VW-1
PVC INSULATION GRAY
2. NO. OF CONTACTS:
06~64
3. CONNECTORS AT TWO ENDS:
"LT" 2.54MM IDC SOCKET W/O S.R. WITH NOSE
TO 3MM TIN PLATED END
4. LENGTH IN CM (CENTIMETERS)
5. COLOR OF IDC CONNECTOR:
"B" BLACK
"A" GRAY

**1.27MM PITCH FLAT CABLE WITH
2.54MM PITCH IDC SOCKET WITHOUT NOSE (H=11.0MM) TO TINNED END (1)**

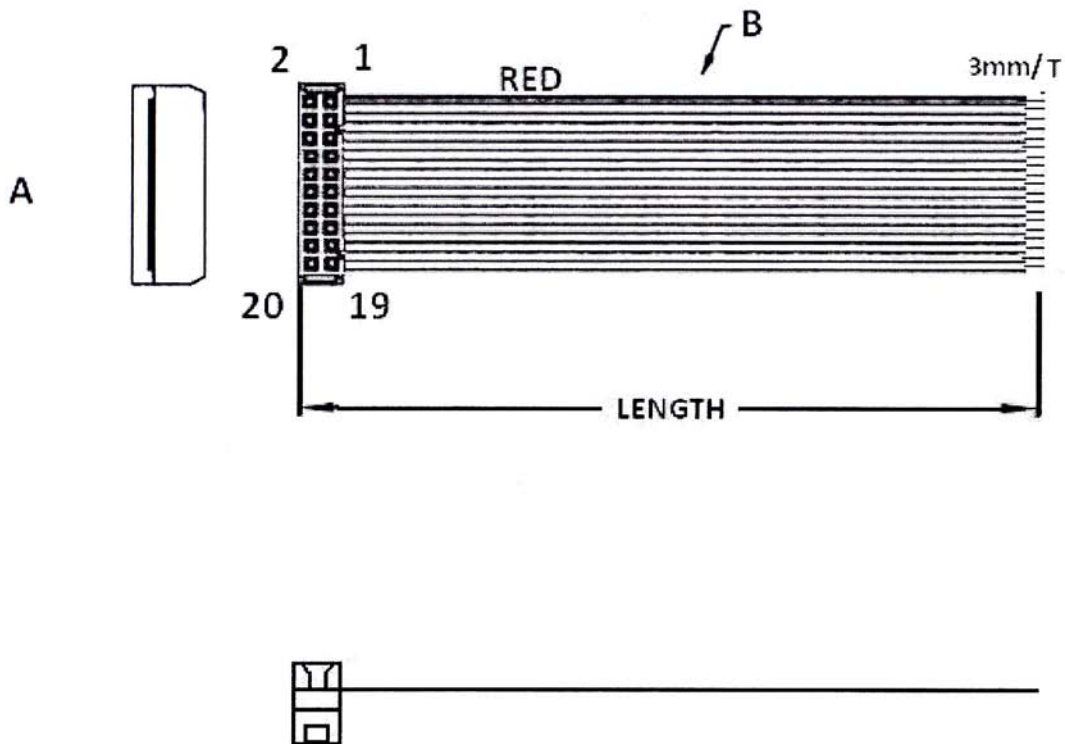


ORDERING INFORMATION:

P/N $\frac{\text{KA}}{1} \frac{\text{XX}}{2} \frac{\text{AT}}{3} - \frac{\text{XX}}{4} \text{CM} \frac{\text{X}}{5}$

1. FLAT CABLE TYPE:
"KA" 1.27MM AWG28 UL2651 VW-1
PVC INSULATION GRAY
2. NO. OF CONTACTS:
06~64
3. CONNECTORS AT TWO ENDS:
"AT" 2.54MM IDC SOCKET W/O S.R. W/O NOSE
TO 3MM TIN PLATED END
4. LENGTH IN CM (CENTIMETERS)
5. COLOR OF IDC CONNECTOR:
"B" BLACK
"A" GRAY

**1.27MM PITCH FLAT CABLE WITH
2.54MM PITCH IDC SOCKET WITHOUT NOSE (H=11.0MM) TO TINNED END (2)**

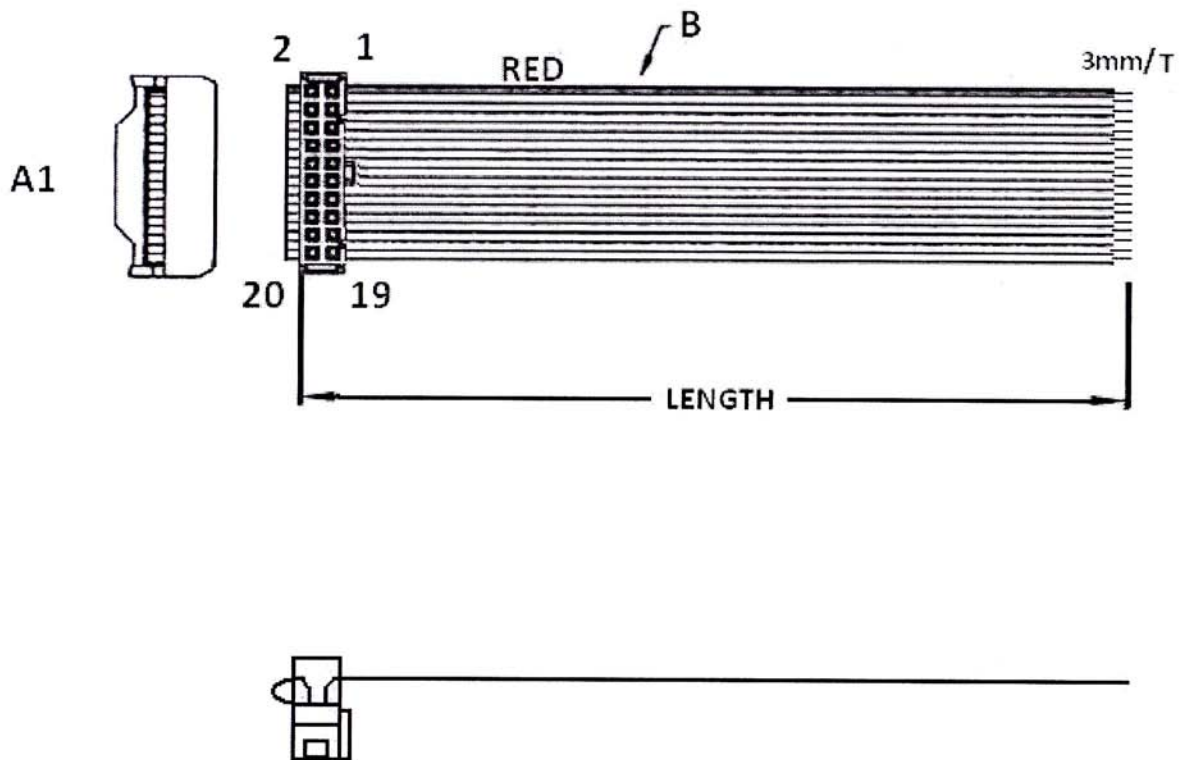


ORDERING INFORMATION:

P/N $\frac{\text{KA}}{1} \frac{\text{xx}}{2} \frac{\text{VT}}{3} - \frac{\text{xx}}{4} \text{CM} \frac{\text{x}}{5}$

1. FLAT CABLE TYPE:
"KA" 1.27MM AWG28 UL2651 VW-1
PVC INSULATION GRAY
2. NO. OF CONTACTS:
06~64
3. CONNECTORS AT TWO ENDS:
"VT" 2.54MM IDC SOCKET W/O S.R. W/O NOSE
TO 3MM TIN PLATED END
4. LENGTH IN CM (CENTIMETERS)
5. COLOR OF IDC CONNECTOR:
"B" BLACK
"A" GRAY

**1.27MM PITCH FLAT CABLE WITH
2.54MM PITCH IDC SOCKET WITH STRAIN RELIEF (H=16.0MM) TO TINNED END (1)**

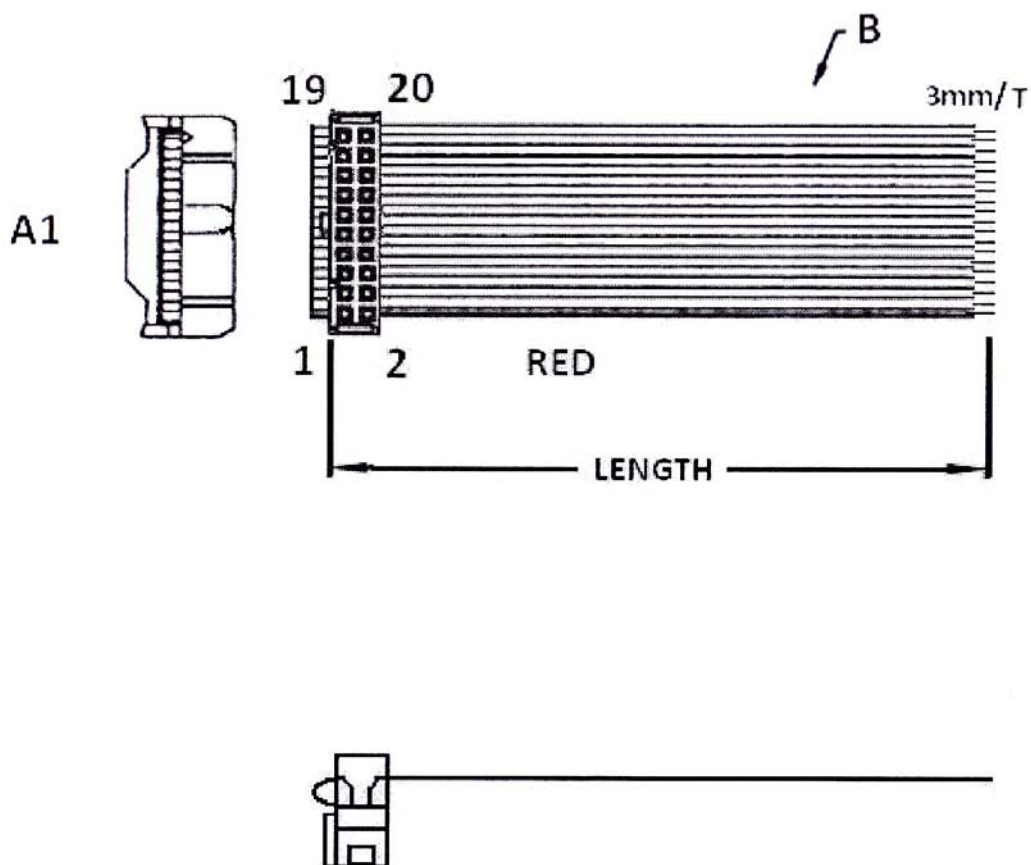


ORDERING INFORMATION:

P/N $\frac{KA}{1} \frac{XX}{2} \frac{MT}{3} - \frac{XX}{4} \frac{CM}{5} X$

1. FLAT CABLE TYPE:
"KA" 1.27MM AWG28 UL2651 VW-1
PVC INSULATION GRAY
2. NO. OF CONTACTS:
06~64
3. CONNECTORS AT TWO ENDS:
"MT" 2.54MM IDC SOCKET WITH S.R. WITH NOSE
TO 3MM TIN PLATED END
4. LENGTH IN CM (CENTIMETERS)
5. COLOR OF IDC CONNECTOR:
"B" BLACK
"A" GRAY

**1.27MM PITCH FLAT CABLE WITH
2.54MM PITCH IDC SOCKET WITH STRAIN RELIEF (H=16.0MM) TO TINNED END (2)**



ORDERING INFORMATION:

P/N $\frac{KA}{1} \frac{xx}{2} \frac{NT}{3} - \frac{xx}{4} \frac{CM}{5} x$

1. FLAT CABLE TYPE:
"KA" 1.27MM AWG28 UL2651 VW-1
PVC INSULATION GRAY
2. NO. OF CONTACTS:
06~64
3. CONNECTORS AT TWO ENDS:
"NT" 2.54MM IDC SOCKET WITH S.R. WITH NOSE
TO 3MM TIN PLATED END
4. LENGTH IN CM (CENTIMETERS)
5. COLOR OF IDC CONNECTOR:
"B" BLACK
"A" GRAY