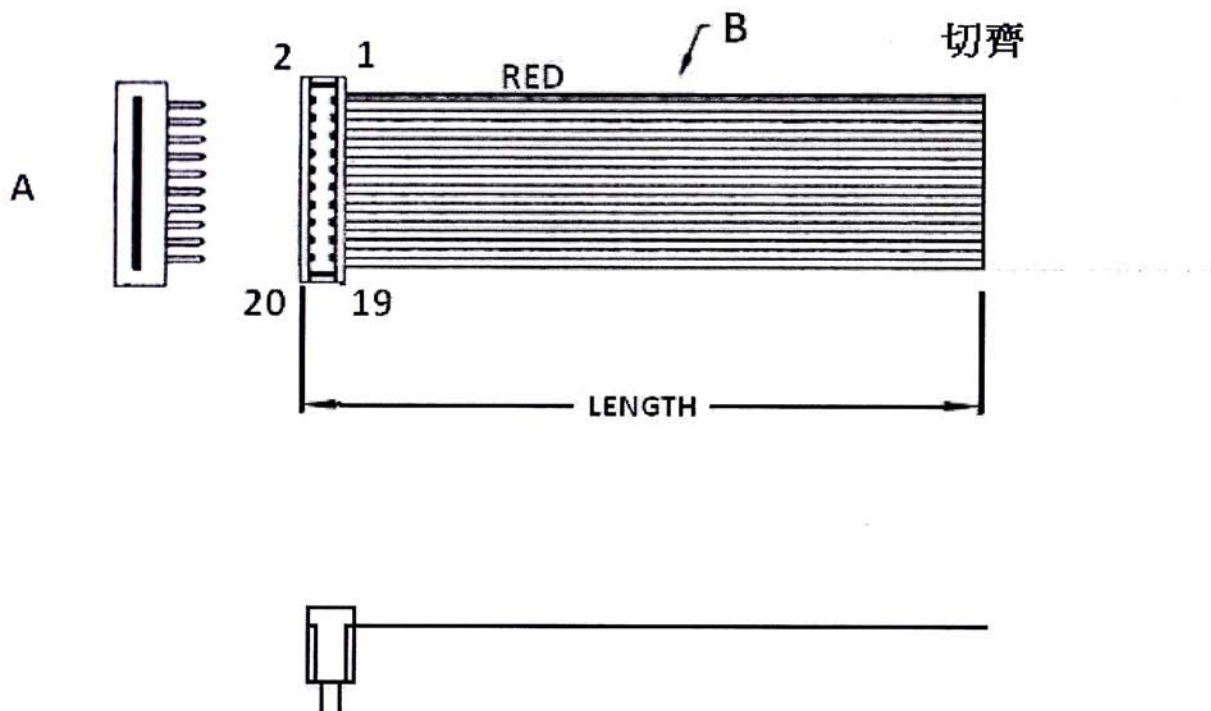


**1.27MM PITCH FLAT CABLE WITH
2.54MM PITCH DIP PLUG (H=7.6MM) TO OPEN END (1)**

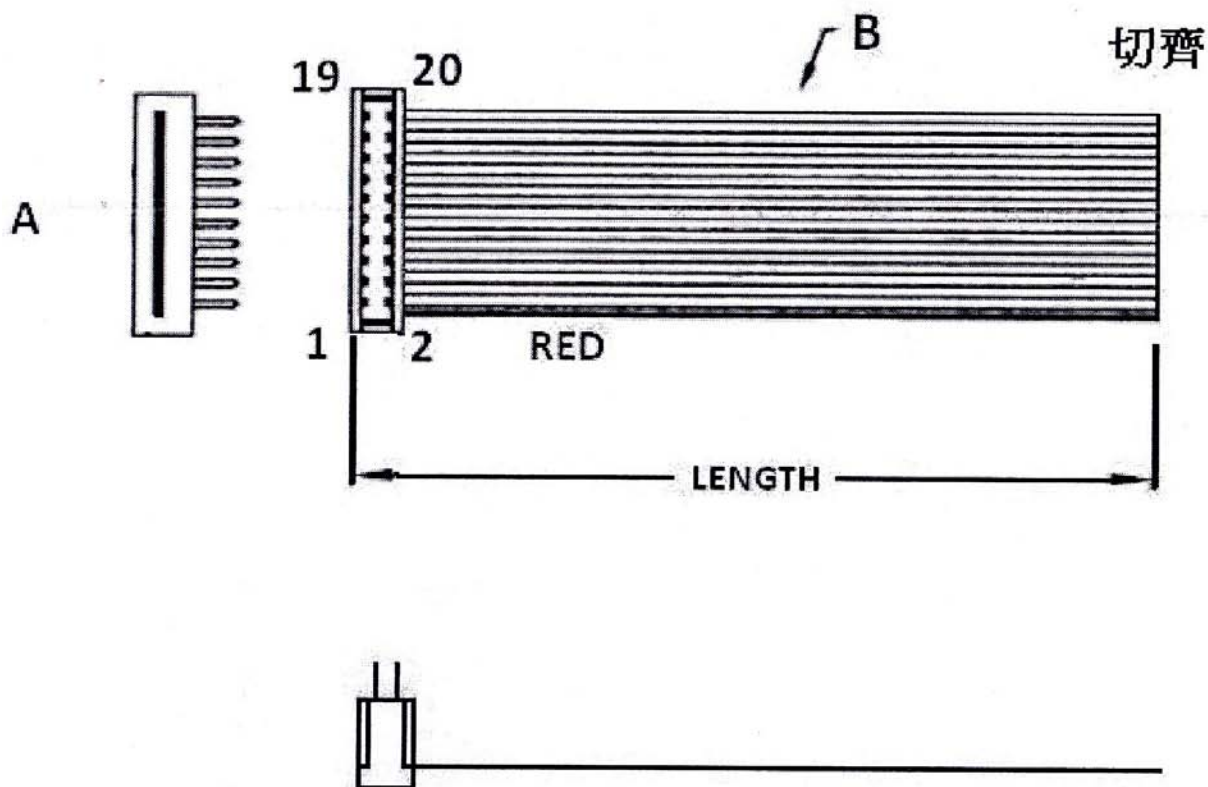


ORDERING INFORMATION:

P/N $\frac{KA}{1} \frac{xx}{2} \frac{DO}{3} - \frac{xx}{4} \frac{CM}{5} \frac{x}{5}$

1. FLAT CABLE TYPE:
"KA" 1.27MM AWG28 UL2651 VW-1
PVC INSULATION GRAY
2. NO. OF CONTACTS:
06~64
3. CONNECTORS AT TWO ENDS:
"DO" 2.54MM DIP PLUG
TO OPEN END
4. LENGTH IN CM (CENTIMETERS)
5. COLOR OF IDC CONNECTOR:
"B" BLACK
"A" GRAY

**1.27MM PITCH FLAT CABLE WITH
2.54MM PITCH DIP PLUG (H=7.6MM) TO OPEN END (2)**

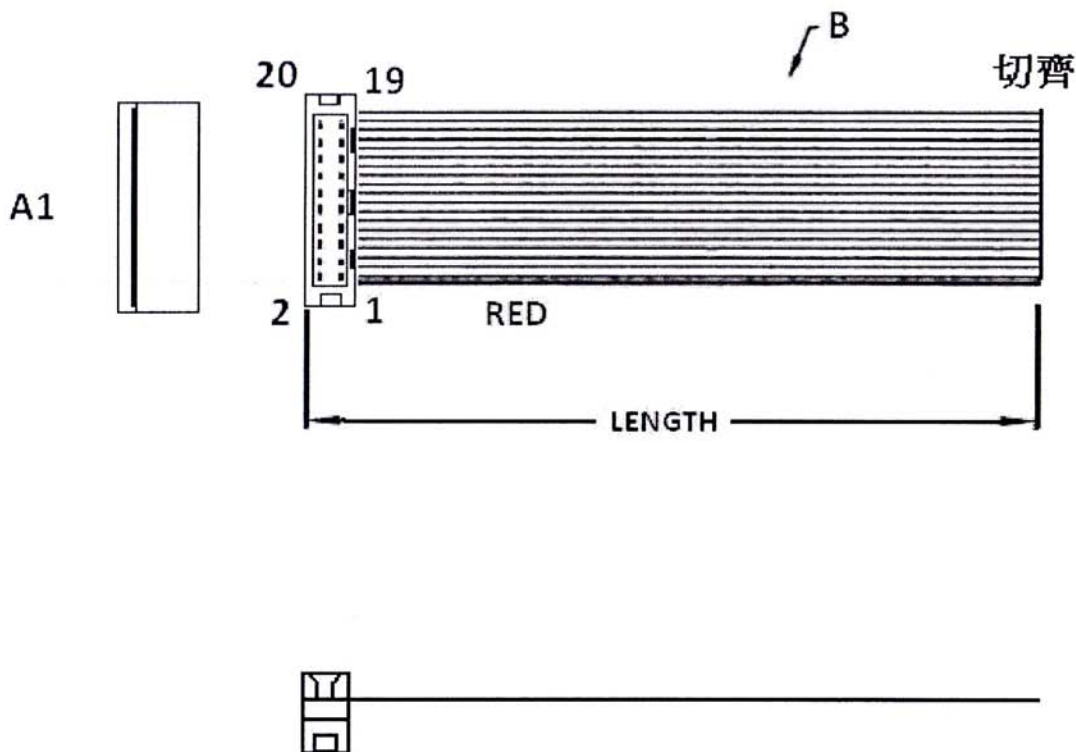


ORDERING INFORMATION:

P/N $\frac{KA}{1} \frac{xx}{2} \frac{PO}{3} - \frac{xx}{4} CM \frac{x}{5}$

1. FLAT CABLE TYPE:
"KA" 1.27MM AWG28 UL2651 VW-1
PVC INSULATION GRAY
2. NO. OF CONTACTS:
06~64
3. CONNECTORS AT TWO ENDS:
"PO" 2.54MM DIP PLUG
TO OPEN END
4. LENGTH IN CM (CENTIMETERS)
5. COLOR OF IDC CONNECTOR:
"B" BLACK
"A" GRAY

**1.27MM PITCH FLAT CABLE WITH
2.54MM PITCH IDC TYPE BOX HEADER TO OPEN END**

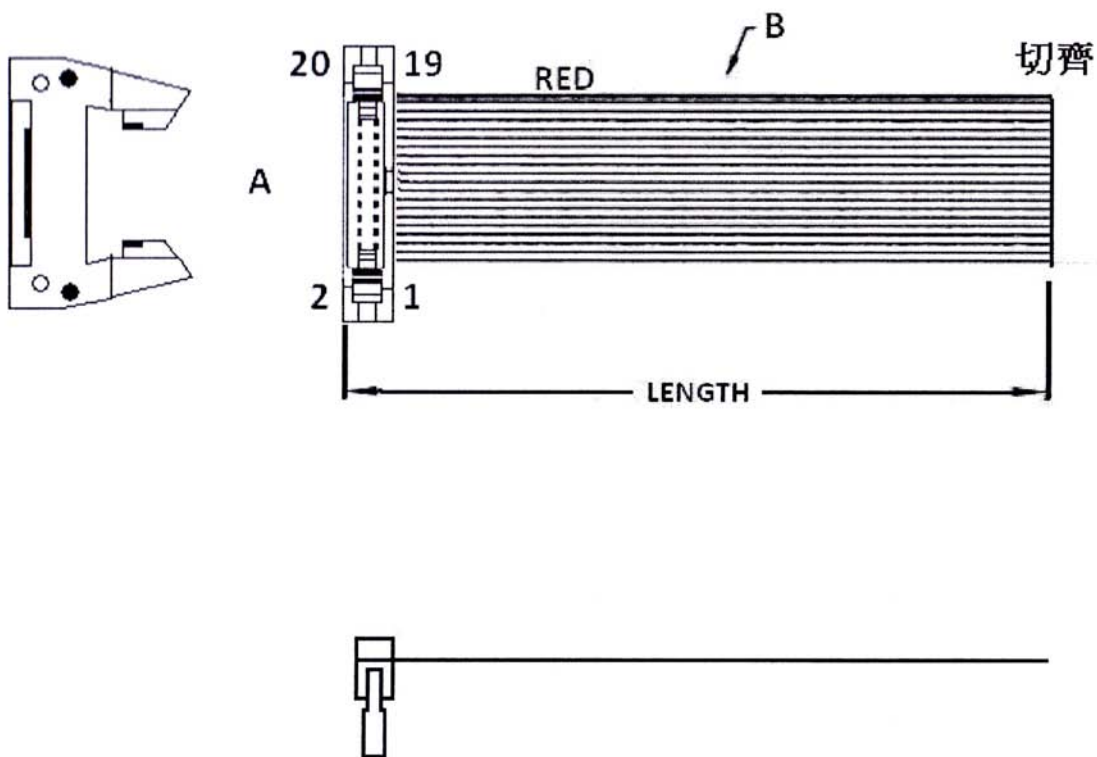


ORDERING INFORMATION:

P/N $\frac{KA}{1}$ $\frac{xx}{2}$ $\frac{BO}{3}$ - $\frac{xx}{4}$ **CM** $\frac{A}{5}$

1. FLAT CABLE TYPE:
"KA" 1.27MM AWG28 UL2651 VW-1
PVC INSULATION GRAY
2. NO. OF CONTACTS:
10~64
3. CONNECTORS AT TWO ENDS:
"BO" 2.54MM IDC TYPE BOX HEADER
TO OPEN END
4. LENGTH IN CM (CENTIMETERS)
5. COLOR OF IDC CONNECTOR:
"A" GRAY ONLY

**1.27MM PITCH FLAT CABLE WITH
2.54MM PITCH IDC PLUG WITH SHORT LATCHES TO OPEN END**

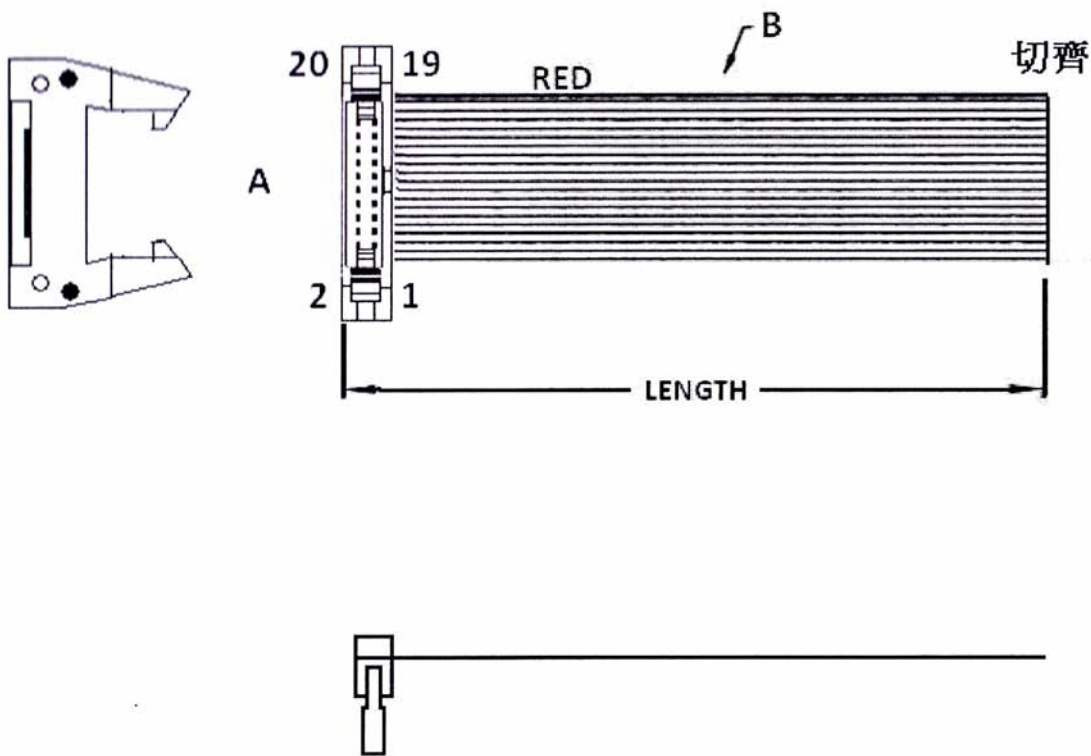


ORDERING INFORMATION:

P/N $\frac{\text{KA}}{1}$ $\frac{\text{xx}}{2}$ $\frac{\text{SO}}{3}$ - $\frac{\text{xx}}{4}$ **CM** $\frac{\text{A}}{5}$

1. FLAT CABLE TYPE:
"KA" 1.27MM AWG28 UL2651 VW-1
PVC INSULATION GRAY
2. NO. OF CONTACTS:
10~64
3. CONNECTORS AT TWO ENDS:
"SO" 2.54MM IDC PLUG WITH SHORT LATCHES
TO OPEN END
4. LENGTH IN CM (CENTIMETERS)
5. COLOR OF IDC CONNECTOR:
"A" GRAY ONLY

**1.27MM PITCH FLAT CABLE WITH
2.54MM PITCH IDC PLUG WITH LONG LATCHES TO OPEN END**

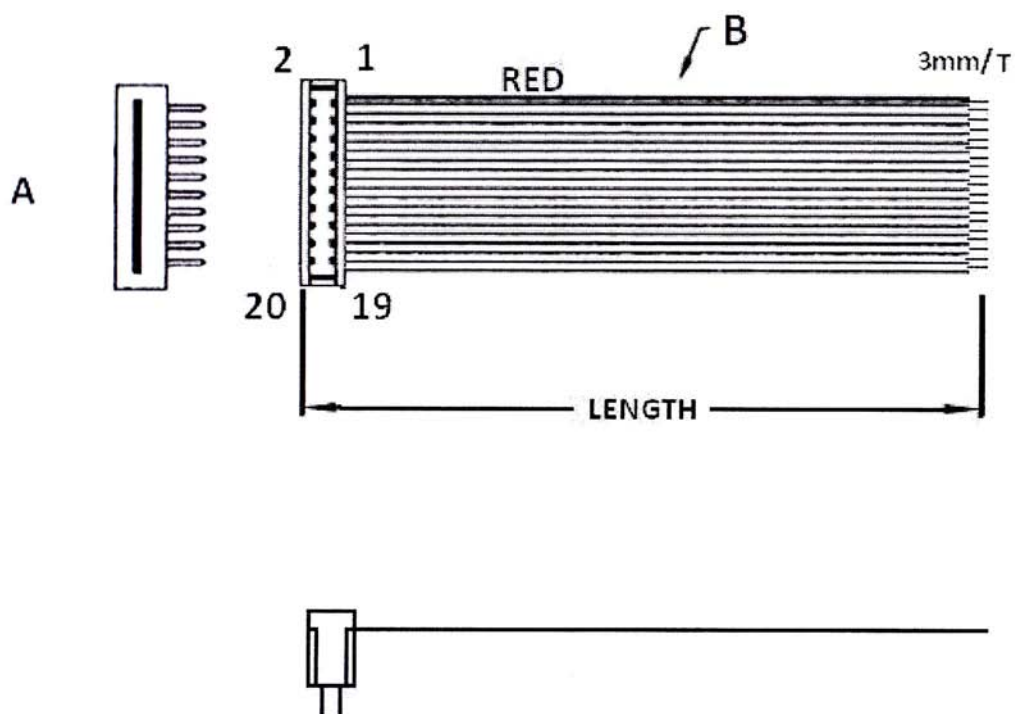


ORDERING INFORMATION:

P/N $\frac{\text{KA}}{1}$ $\frac{\text{xx}}{2}$ $\frac{\text{ZO}}{3}$ - $\frac{\text{xx}}{4}$ **CM** $\frac{\text{A}}{5}$

1. FLAT CABLE TYPE:
"KA" 1.27MM AWG28 UL2651 VW-1
PVC INSULATION GRAY
2. NO. OF CONTACTS:
10~64
3. CONNECTORS AT TWO ENDS:
"ZO" 2.54MM IDC PLUG WITH LONG LATCHES
TO OPEN END
4. LENGTH IN CM (CENTIMETERS)
5. COLOR OF IDC CONNECTOR:
"A" GRAY ONLY

**1.27MM PITCH FLAT CABLE WITH
2.54MM PITCH DIP PLUG (H=7.6MM) TO TINNED END (1)**

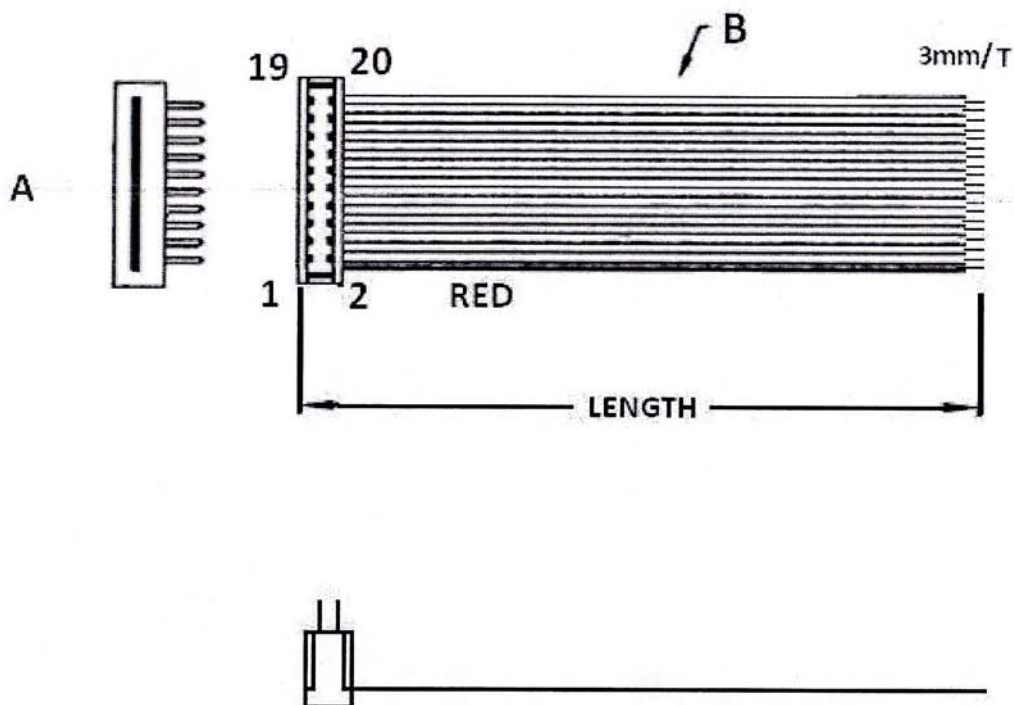


ORDERING INFORMATION:

P/N $\frac{\text{KA}}{1} \frac{\text{xx}}{2} \frac{\text{DT}}{3} - \frac{\text{xx}}{4} \text{CM} \frac{\text{x}}{5}$

1. FLAT CABLE TYPE:
"KA" 1.27MM AWG28 UL2651 VW-1
PVC INSULATION GRAY
2. NO. OF CONTACTS:
06~64
3. CONNECTORS AT TWO ENDS:
"DT" 2.54MM DIP PLUG
TO 3MM TIN PLATED END
4. LENGTH IN CM (CENTIMETERS)
5. COLOR OF IDC CONNECTOR:
"B" BLACK
"A" GRAY

**1.27MM PITCH FLAT CABLE WITH
2.54MM PITCH DIP PLUG (H=7.6MM) TO TINNED END (2)**

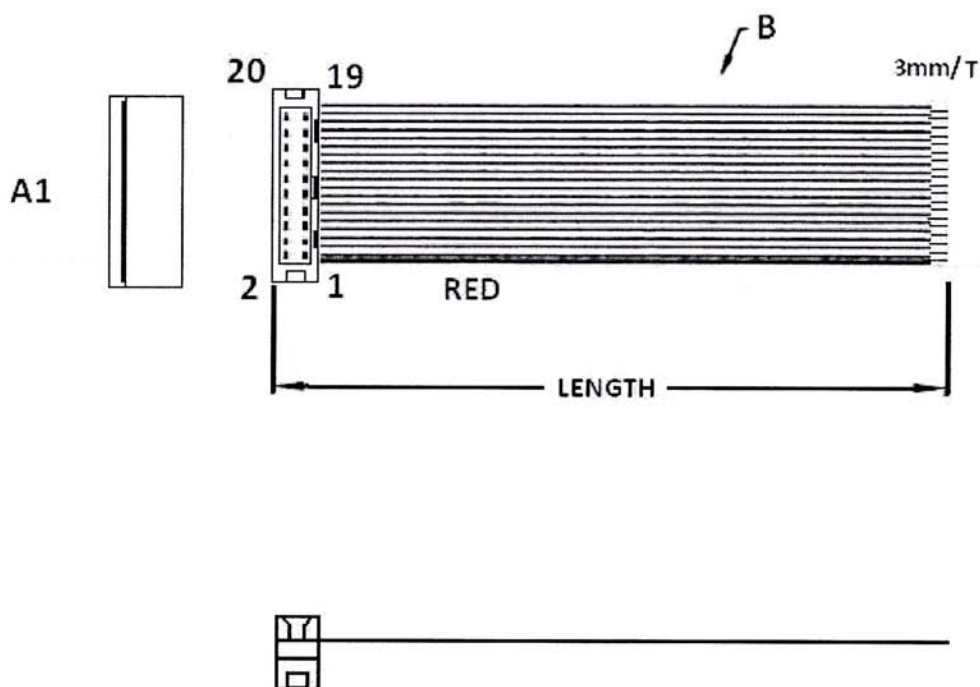


ORDERING INFORMATION:

P/N $\frac{\text{KA}}{1} \frac{\text{xx}}{2} \frac{\text{PT}}{3} - \frac{\text{xx}}{4} \text{CM} \frac{\text{x}}{5}$

1. FLAT CABLE TYPE:
"KA" 1.27MM AWG28 UL2651 VW-1
PVC INSULATION GRAY
2. NO. OF CONTACTS:
06~64
3. CONNECTORS AT TWO ENDS:
"PT" 2.54MM DIP PLUG
TO 3MM TIN PLATED END
4. LENGTH IN CM (CENTIMETERS)
5. COLOR OF IDC CONNECTOR:
"B" BLACK
"A" GRAY

**1.27MM PITCH FLAT CABLE WITH
2.54MM PITCH IDC TYPE BOX HEADER TO TINNED END**

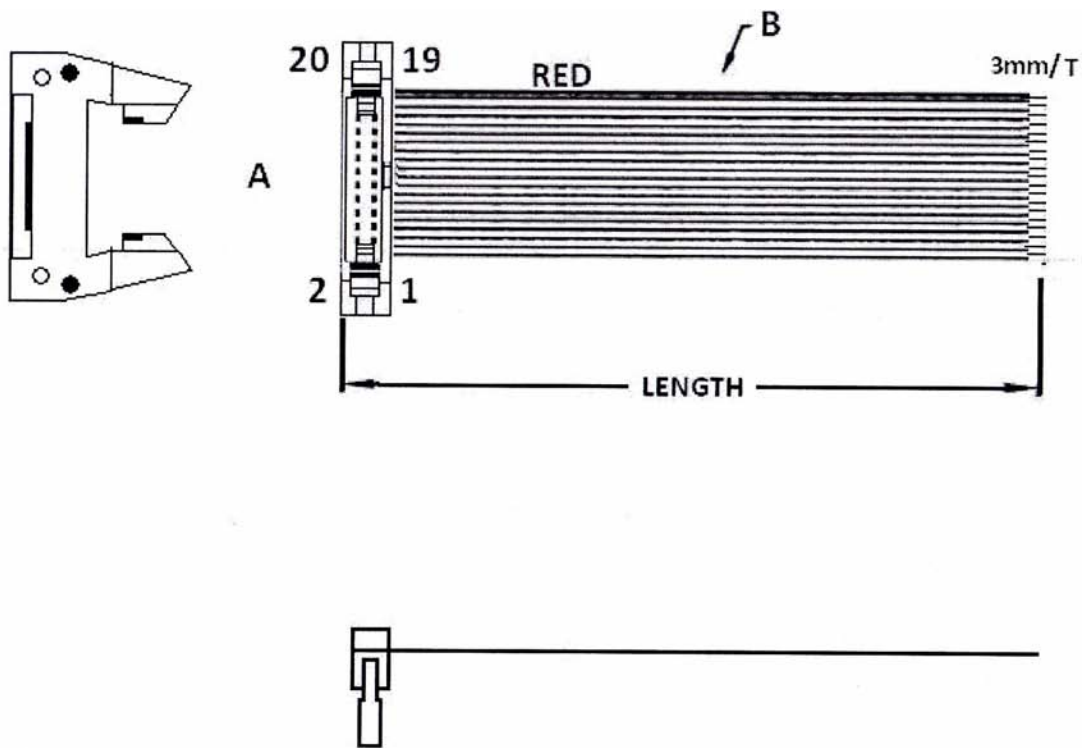


ORDERING INFORMATION:

P/N KAxxBT - xxCMA

1. FLAT CABLE TYPE:
"KA" 1.27MM AWG28 UL2651 VW-1
PVC INSULATION GRAY
2. NO. OF CONTACTS:
10~64
3. CONNECTORS AT TWO ENDS:
"BT" 2.54MM IDC TYPE BOX HEADER
TO 3MM TIN PLATED END
4. LENGTH IN CM (CENTIMETERS)
5. COLOR OF IDC CONNECTOR:
"A" GRAY ONLY

**1.27MM PITCH FLAT CABLE WITH
2.54MM PITCH IDC PLUG HEADER WITH SHORT LATCHES TO TINNED END**

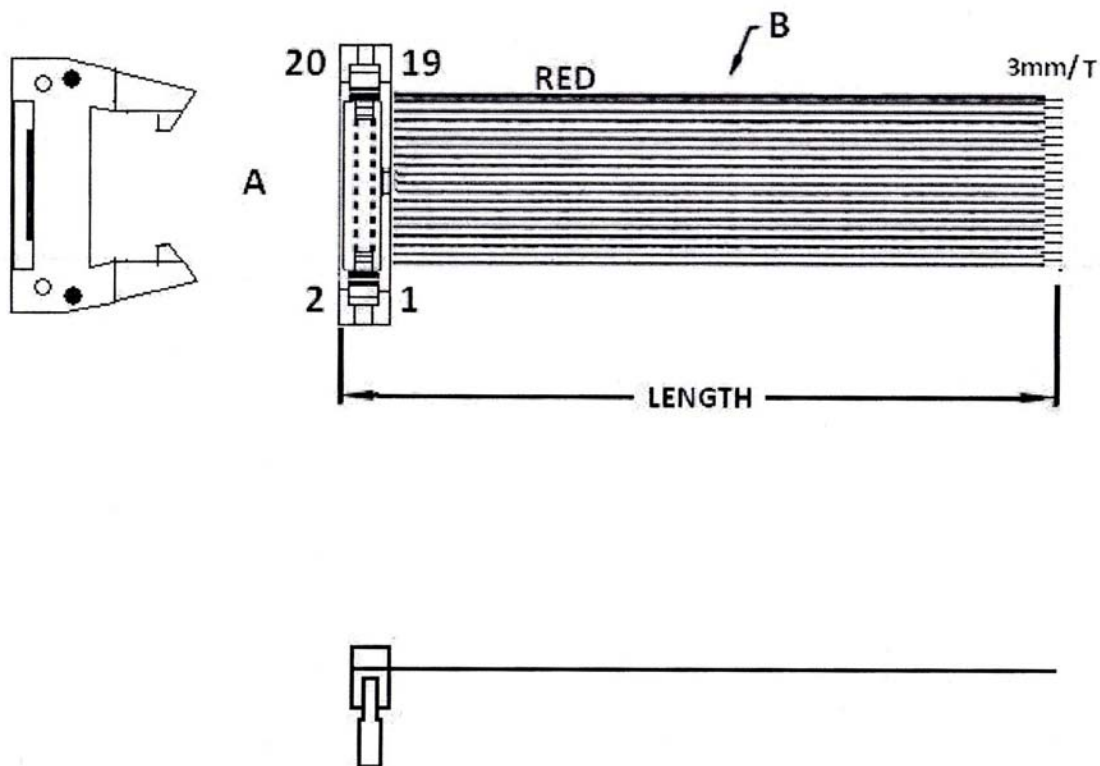


ORDERING INFORMATION:

P/N $\frac{\text{KA}}{1}$ $\frac{\text{XX}}{2}$ $\frac{\text{ST}}{3}$ - $\frac{\text{XX}}{4}$ **CM** $\frac{\text{A}}{5}$

1. FLAT CABLE TYPE:
"KA" 1.27MM AWG28 UL2651 VW-1
PVC INSULATION GRAY
2. NO. OF CONTACTS:
06~64
3. CONNECTORS AT TWO ENDS:
"ST" 2.54MM IDC PLUG WITH SHORT LATCHES
TO 3MM TIN PLATED END
4. LENGTH IN CM (CENTIMETERS)
5. COLOR OF IDC CONNECTOR:
"A" GRAY ONLY

**1.27MM PITCH FLAT CABLE WITH
2.54MM PITCH IDC PLUG WITH LONG LATCHES TO TINNED END**



ORDERING INFORMATION:

P/N $\frac{\text{KA}}{1} \frac{\text{xx}}{2} \frac{\text{ZT}}{3} - \frac{\text{xx}}{4} \text{CMA} \frac{\text{A}}{5}$

1. FLAT CABLE TYPE:
"KA" 1.27MM AWG28 UL2651 VW-1
PVC INSULATION GRAY
2. NO. OF CONTACTS:
10~64
3. CONNECTORS AT TWO ENDS:
"ZT" 2.54MM IDC PLUG WITH LONG LATCHES
TO 3MM TIN PLATED END
4. LENGTH IN CM (CENTIMETERS)
5. COLOR OF IDC CONNECTOR:
"A" GRAY ONLY