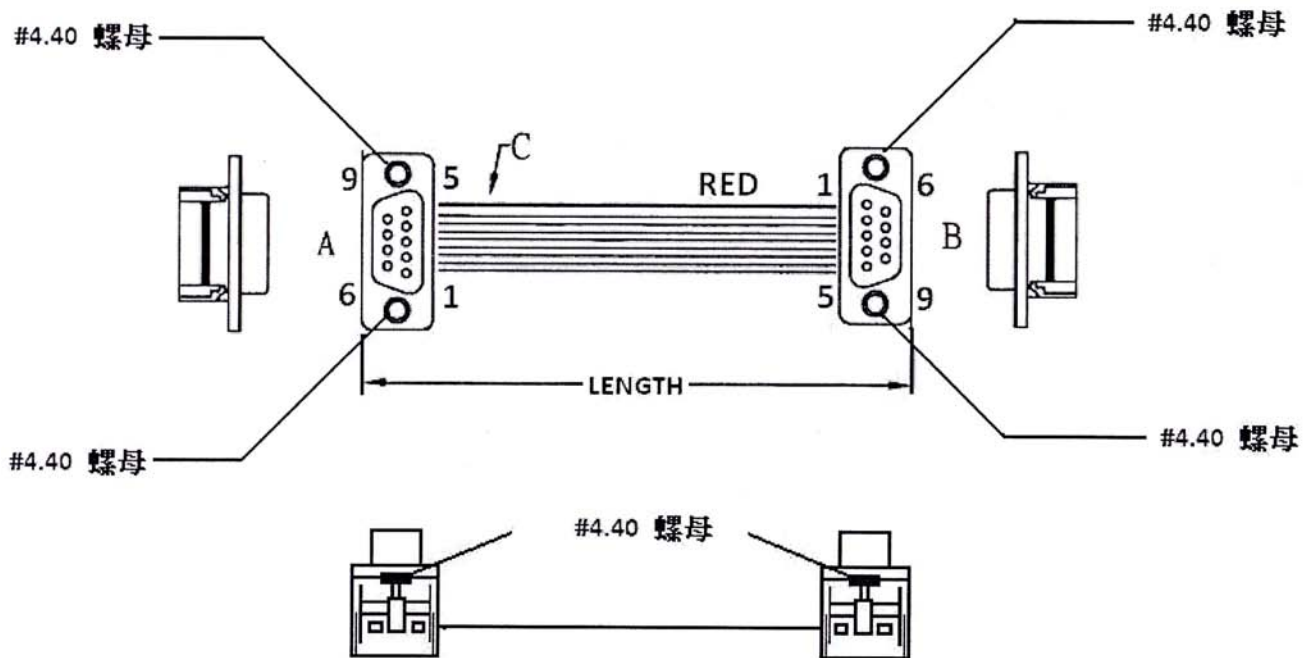


**1.27MM PITCH FLAT CABLE WITH 9, 15, 25, 37 PIN D-SUB.
FEMALE TO FEMALE CONNECTORS (1)**



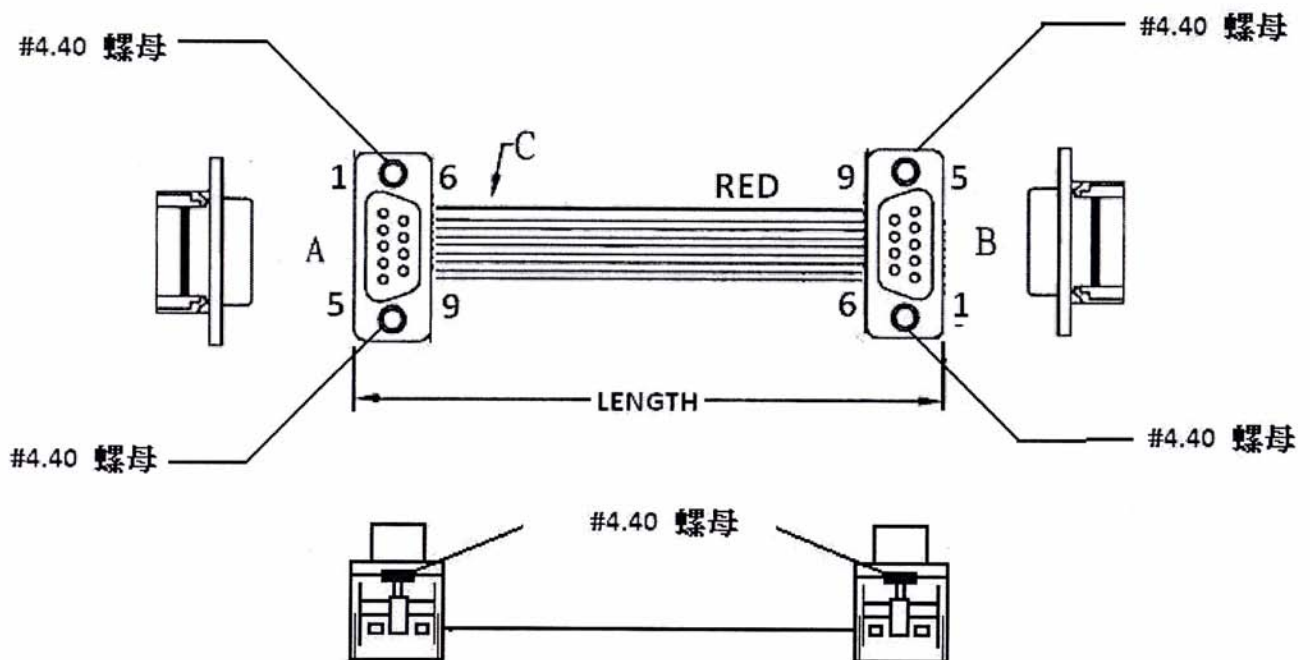
A	B
1	5
6	9
2	4
7	8
3	3
8	7
4	2
9	6
5	1

ORDERING INFORMATION:

P/N $\frac{K}{1} \frac{A}{2} \frac{xx}{3} \frac{FA}{4} - \frac{xx}{5} C M \frac{x}{5}$

1. FLAT CABLE TYPE:
"KA" 1.27MM AWG28 UL2651 VW-1
PVC INSULATION GRAY
2. NO. OF CONTACTS:
09, 15, 25, 37
3. CONNECTORS AT TWO ENDS:
"FA" D-SUB. FEMALE IDC TYPE CONNECTOR
TO D-SUB. FEMALE IDC TYPE CONNECTOR
4. LENGTH IN CM (CENTIMETERS)
5. NUT OPTION AT TWO CONNECTORS:
"N" WITH UNC4-40 NUTS
"W" WITHOUT NUTS

**1.27MM PITCH FLAT CABLE WITH 9, 15, 25, 37 PIN D-SUB.
FEMALE TO FEMALE CONNECTORS (2)**



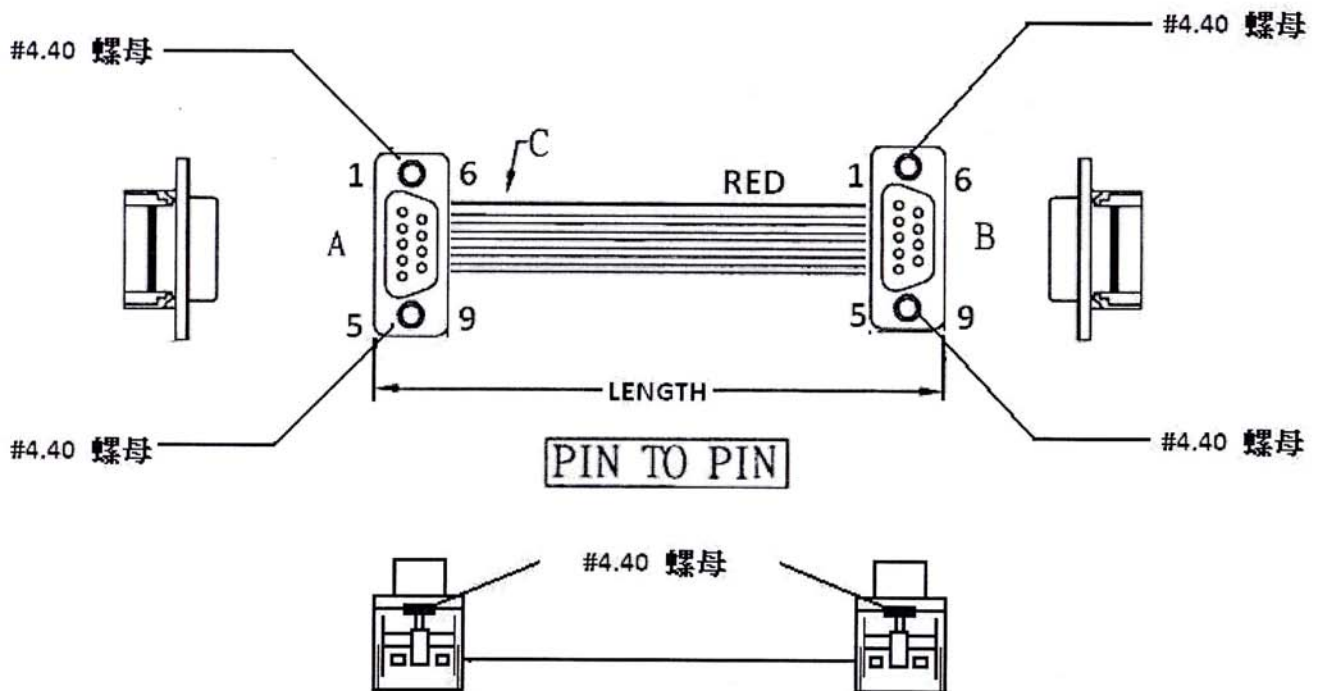
A	B
1	5
6	9
2	4
7	8
3	3
8	7
4	2
9	6
5	1

ORDERING INFORMATION:

P/N $\frac{KA}{1}$ $\frac{xx}{2}$ $\frac{FC}{3}$ - $\frac{xx}{4}$ $\frac{CM}{5}$ $\frac{x}{5}$

1. FLAT CABLE TYPE:
"KA" 1.27MM AWG28 UL2651 VW-1
PVC INSULATION GRAY
2. NO. OF CONTACTS:
09, 15, 25, 37
3. CONNECTORS AT TWO ENDS:
"FC" D-SUB. FEMALE IDC TYPE CONNECTOR
TO D-SUB. FEMALE IDC TYPE CONNECTOR
4. LENGTH IN CM (CENTIMETERS)
5. NUT OPTION AT TWO CONNECTORS:
"N" WITH UNC4-40 NUTS
"W" WITHOUT NUTS

**1.27MM PITCH FLAT CABLE WITH 9, 15, 25, 37 PIN D-SUB.
FEMALE TO FEMALE CONNECTORS (3)**

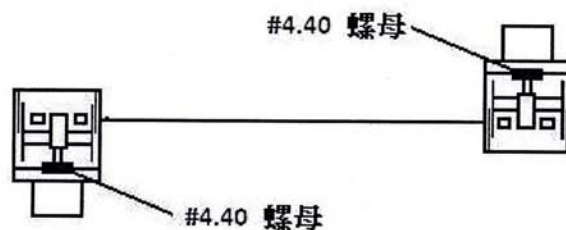
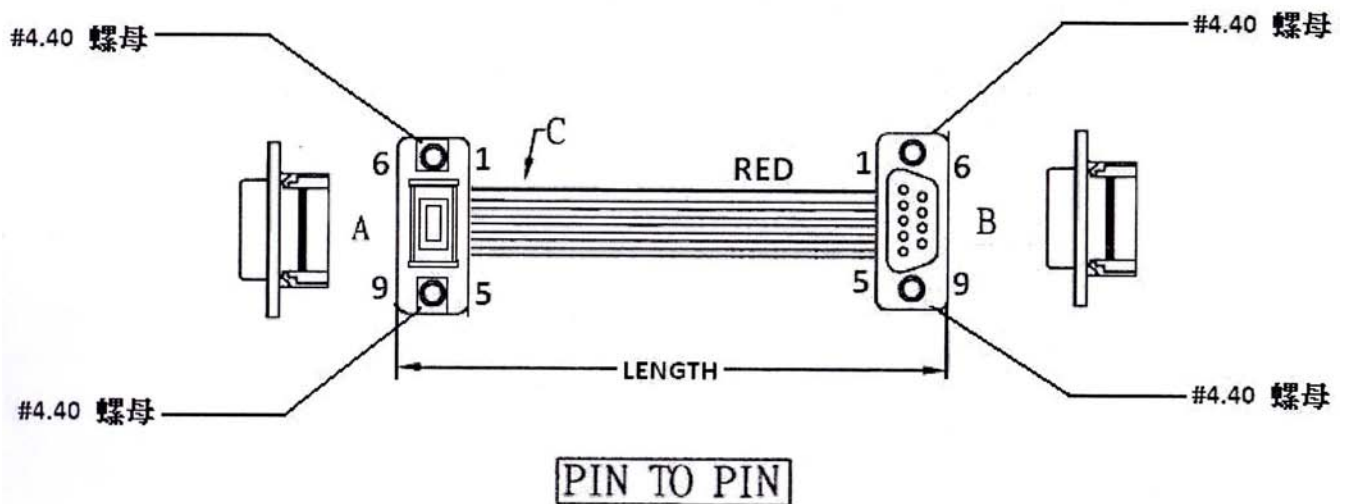


ORDERING INFORMATION:

P/N $\frac{K}{1} \frac{A}{2} \frac{xx}{3} \frac{FG}{4} - \frac{xx}{5} C M \frac{x}{5}$

1. FLAT CABLE TYPE:
"KA" 1.27MM AWG28 UL2651 VW-1
PVC INSULATION GRAY
2. NO. OF CONTACTS:
09, 15, 25, 37
3. CONNECTORS AT TWO ENDS:
"FG" D-SUB. FEMALE IDC TYPE CONNECTOR
TO D-SUB. FEMALE IDC TYPE CONNECTOR
4. LENGTH IN CM (CENTIMETERS)
5. NUT OPTION AT TWO CONNECTORS:
"N" WITH UNC4-40 NUTS
"W" WITHOUT NUTS

**1.27MM PITCH FLAT CABLE WITH 9, 15, 25, 37 PIN D-SUB.
FEMALE TO FEMALE CONNECTORS (4)**

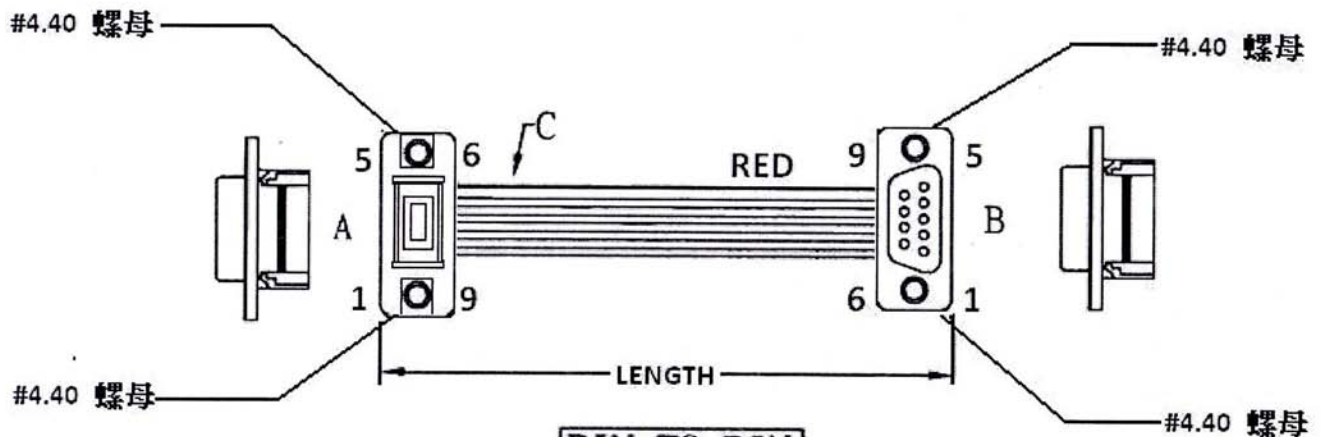


ORDERING INFORMATION:

P/N $\frac{KA}{1} \frac{xx}{2} \frac{GA}{3} - \frac{xx}{4} CM \frac{x}{5}$

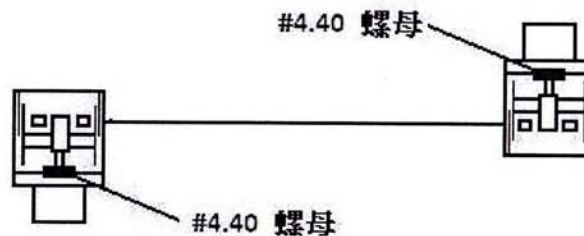
1. FLAT CABLE TYPE:
"KA" 1.27MM AWG28 UL2651 VW-1
PVC INSULATION GRAY
2. NO. OF CONTACTS:
09, 15, 25, 37
3. CONNECTORS AT TWO ENDS:
"GA" D-SUB. FEMALE IDC TYPE CONNECTOR
TO D-SUB. FEMALE IDC TYPE CONNECTOR
4. LENGTH IN CM (CENTIMETERS)
5. NUT OPTION AT TWO CONNECTORS:
"N" WITH UNC4-40 NUTS
"W" WITHOUT NUTS

**1.27MM PITCH FLAT CABLE WITH 9, 15, 25, 37 PIN D-SUB.
FEMALE TO FEMALE CONNECTORS (5)**



PIN TO PIN

第1pin對灰色

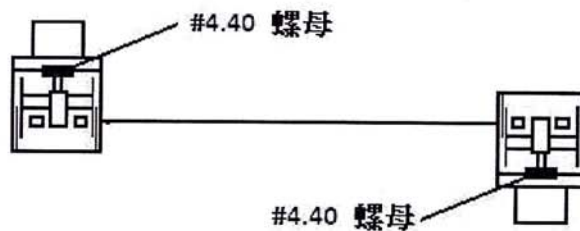
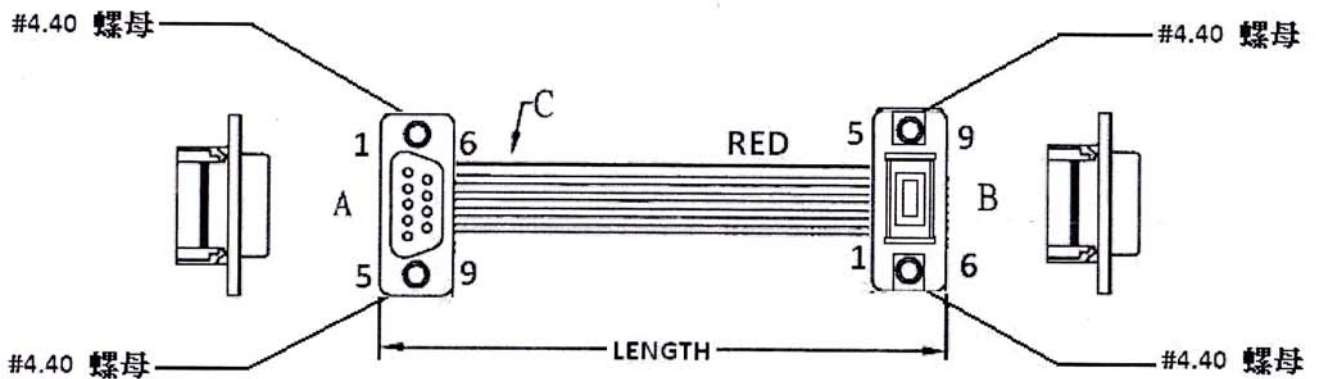


ORDERING INFORMATION:

P/N $\frac{K}{1} \frac{A}{2} \frac{xx}{3} \frac{G}{4} \frac{C}{5} - \frac{xx}{4} \frac{C}{5} \frac{M}{5} \frac{x}{5}$

1. FLAT CABLE TYPE:
"KA" 1.27MM AWG28 UL2651 VW-1
PVC INSULATION GRAY
2. NO. OF CONTACTS:
09, 15, 25, 37
3. CONNECTORS AT TWO ENDS:
"GA" D-SUB. FEMALE IDC TYPE CONNECTOR
TO D-SUB. FEMALE IDC TYPE CONNECTOR
4. LENGTH IN CM (CENTIMETERS)
5. NUT OPTION AT TWO CONNECTORS:
"N" WITH UNC4-40 NUTS
"W" WITHOUT NUTS

**1.27MM PITCH FLAT CABLE WITH 9, 15, 25, 37 PIN D-SUB.
FEMALE TO FEMALE CONNECTORS (6)**



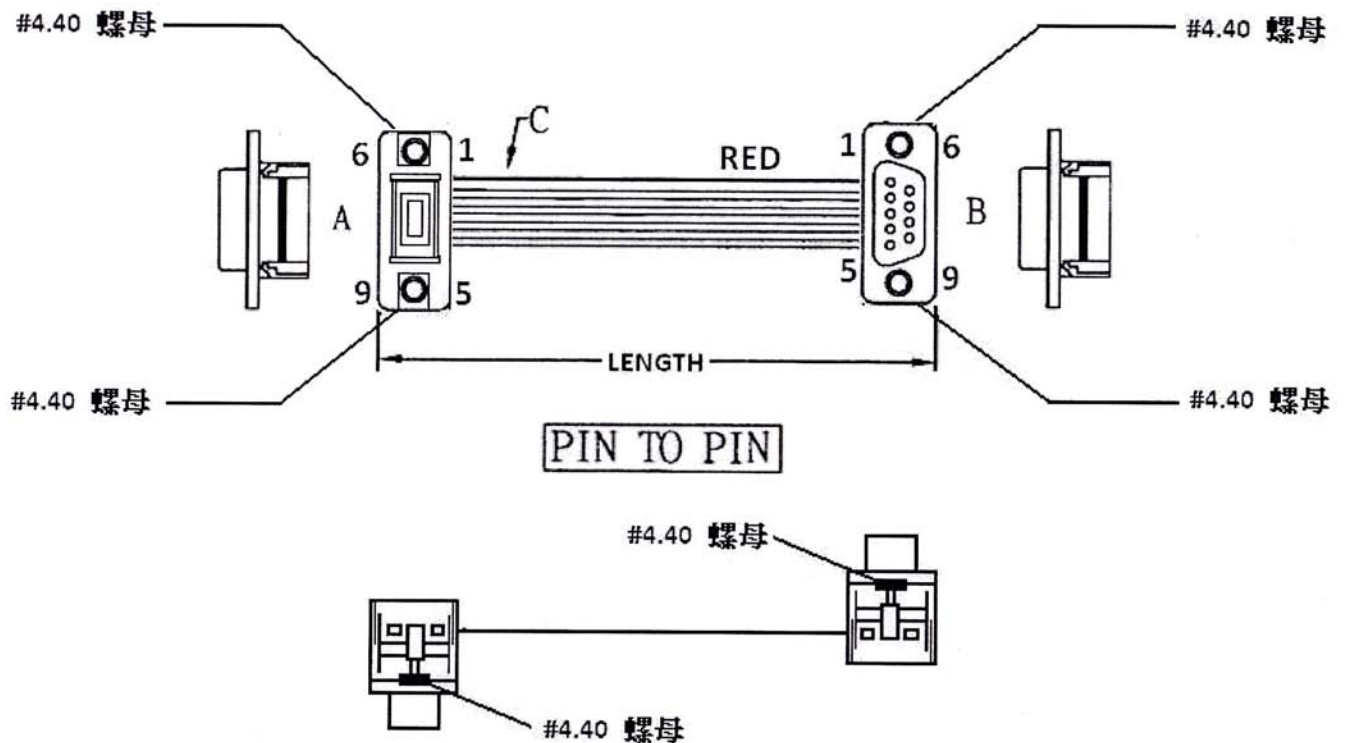
A	B
1	5
6	9
2	4
7	8
3	3
8	7
4	2
9	6
5	1

ORDERING INFORMATION:

P/N $\frac{KA}{1} \frac{xx}{2} \frac{GG}{3} - \frac{xx}{4} \frac{CM}{5} \frac{x}{5}$

1. FLAT CABLE TYPE:
"KA" 1.27MM AWG28 UL2651 VW-1
PVC INSULATION GRAY
2. NO. OF CONTACTS:
09, 15, 25, 37
3. CONNECTORS AT TWO ENDS:
"GG" D-SUB. FEMALE IDC TYPE CONNECTOR
TO D-SUB. FEMALE IDC TYPE CONNECTOR
4. LENGTH IN CM (CENTIMETERS)
5. NUT OPTION AT TWO CONNECTORS:
"N" WITH UNC4-40 NUTS
"W" WITHOUT NUTS

**1.27MM PITCH FLAT CABLE WITH 9, 15, 25, 37 PIN D-SUB.
FEMALE TO FEMALE CONNECTORS (7)**

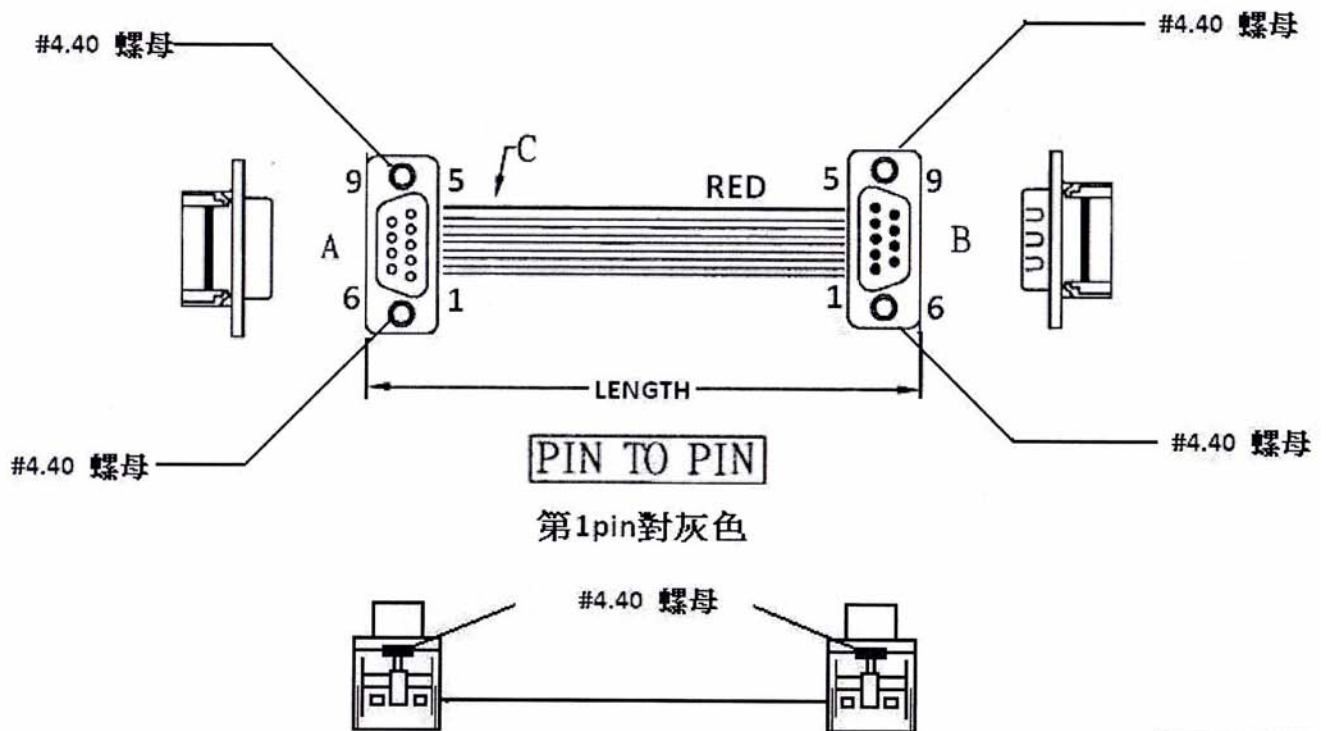


ORDERING INFORMATION:

P/N $\frac{K}{1}$ $\frac{A}{2}$ $\frac{xx}{3}$ $\frac{GH}{4}$ - $\frac{xx}{5}$ **CM** $\frac{x}{5}$

1. FLAT CABLE TYPE:
"KA" 1.27MM AWG28 UL2651 VW-1
PVC INSULATION GRAY
2. NO. OF CONTACTS:
09, 15, 25, 37
3. CONNECTORS AT TWO ENDS:
"GH" D-SUB. FEMALE IDC TYPE CONNECTOR
TO D-SUB. FEMALE IDC TYPE CONNECTOR
4. LENGTH IN CM (CENTIMETERS)
5. NUT OPTION AT TWO CONNECTORS:
"N" WITH UNC4-40 NUTS
"W" WITHOUT NUTS

**1.27MM PITCH FLAT CABLE WITH 9, 15, 25, 37 PIN D-SUB.
FEMALE TO MALE CONNECTORS (1)**

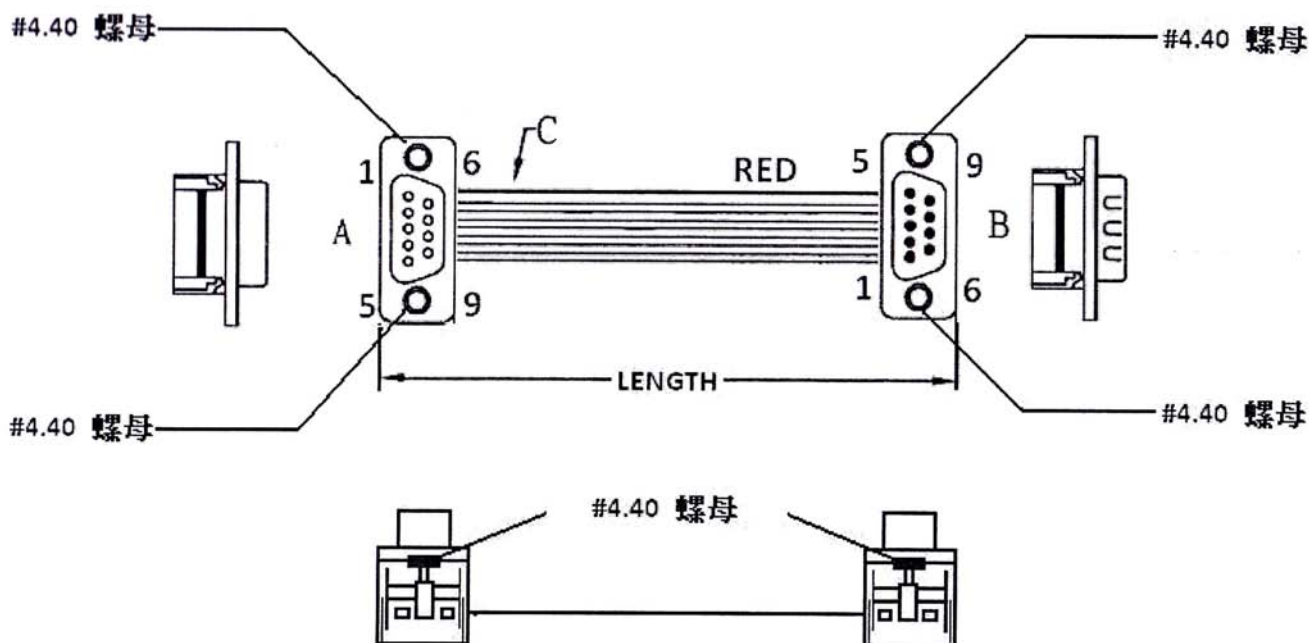


ORDERING INFORMATION:

P/N $\frac{K}{1}$ $\frac{A}{2}$ $\frac{xx}{3}$ $\frac{FB}{4}$ - $\frac{xx}{5}$ **CM** $\frac{x}{5}$

1. FLAT CABLE TYPE:
"KA" 1.27MM AWG28 UL2651 VW-1
PVC INSULATION GRAY
2. NO. OF CONTACTS:
09, 15, 25, 37
3. CONNECTORS AT TWO ENDS:
"FB" D-SUB. FEMALE IDC TYPE CONNECTOR
TO D-SUB. MALE IDC TYPE CONNECTOR
4. LENGTH IN CM (CENTIMETERS)
5. NUT OPTION AT TWO CONNECTORS:
"N" WITH UNC4-40 NUTS
"W" WITHOUT NUTS

**1.27MM PITCH FLAT CABLE WITH 9, 15, 25, 37 PIN D-SUB.
FEMALE TO MALE CONNECTORS (2)**



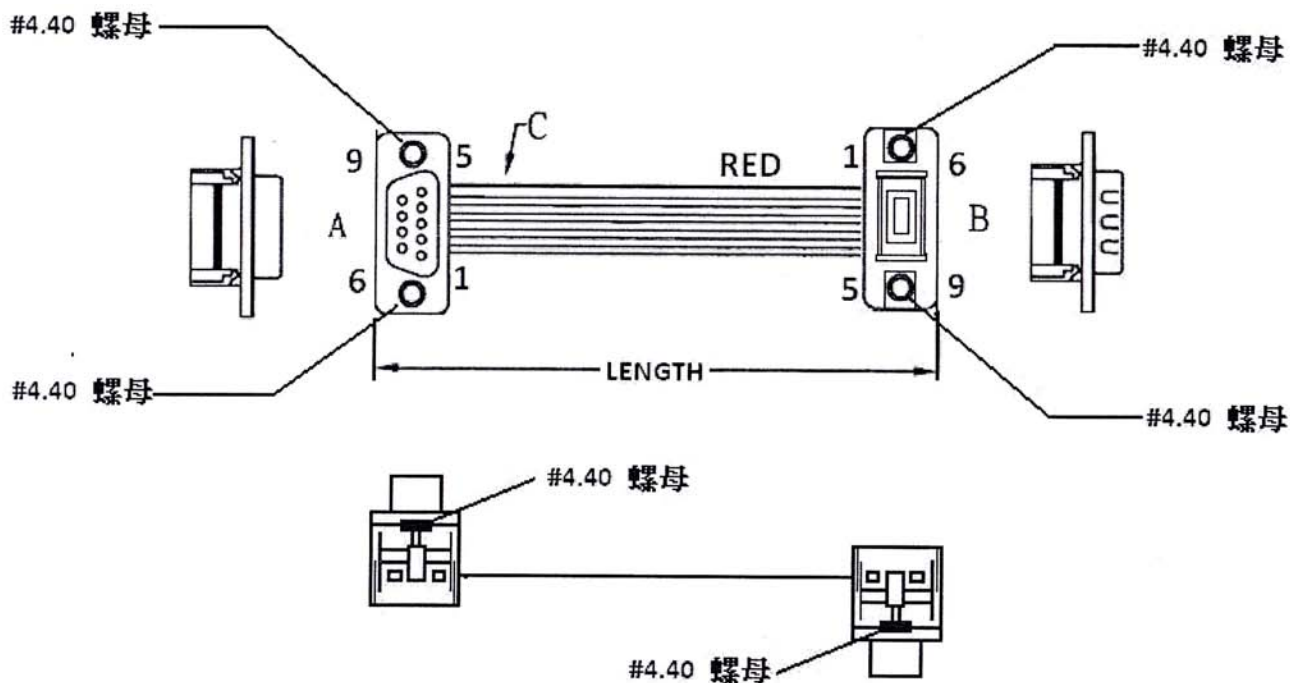
A	B
1-----5	
6-----9	
2-----4	
7-----8	
3-----3	
8-----7	
4-----2	
9-----6	
5-----1	

ORDERING INFORMATION:

P/N $\frac{K}{1} \frac{A}{2} \frac{xx}{3} \frac{FE}{4} - \frac{xx}{5} C M \frac{x}{5}$

1. FLAT CABLE TYPE:
"KA" 1.27MM AWG28 UL2651 VW-1
PVC INSULATION GRAY
2. NO. OF CONTACTS:
09, 15, 25, 37
3. CONNECTORS AT TWO ENDS:
"FE" D-SUB. FEMALE IDC TYPE CONNECTOR
TO D-SUB. MALE IDC TYPE CONNECTOR
4. LENGTH IN CM (CENTIMETERS)
5. NUT OPTION AT TWO CONNECTORS:
"N" WITH UNC4-40 NUTS
"W" WITHOUT NUTS

**1.27MM PITCH FLAT CABLE WITH 9, 15, 25, 37 PIN D-SUB.
FEMALE TO MALE CONNECTORS (3)**



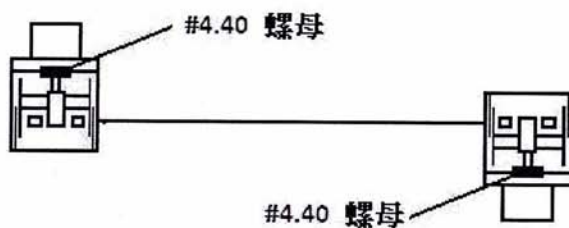
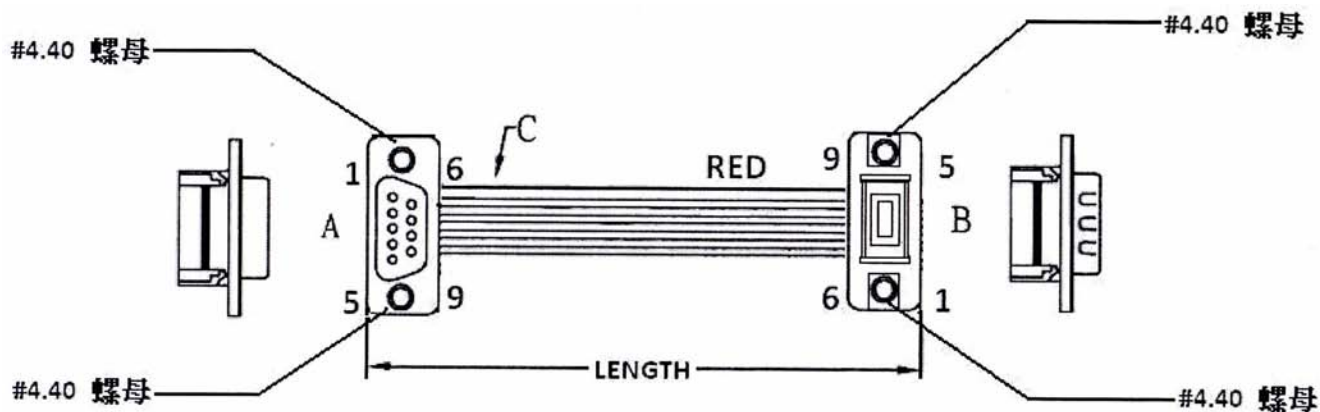
A	B
1	5
6	9
2	4
7	8
3	3
8	7
4	2
9	6
5	1

ORDERING INFORMATION:

P/N $\frac{KA}{1} \frac{XX}{2} \frac{GB}{3} - \frac{XX}{4} \frac{CM}{5} \frac{X}{5}$

1. FLAT CABLE TYPE:
"KA" 1.27MM AWG28 UL2651 VW-1
PVC INSULATION GRAY
2. NO. OF CONTACTS:
09, 15, 25, 37
3. CONNECTORS AT TWO ENDS:
"GB" D-SUB. FEMALE IDC TYPE CONNECTOR
TO D-SUB. MALE IDC TYPE CONNECTOR
4. LENGTH IN CM (CENTIMETERS)
5. NUT OPTION AT TWO CONNECTORS:
"N" WITH UNC4-40 NUTS
"W" WITHOUT NUTS

**1.27MM PITCH FLAT CABLE WITH 9, 15, 25, 37 PIN D-SUB.
FEMALE TO MALE CONNECTORS (4)**



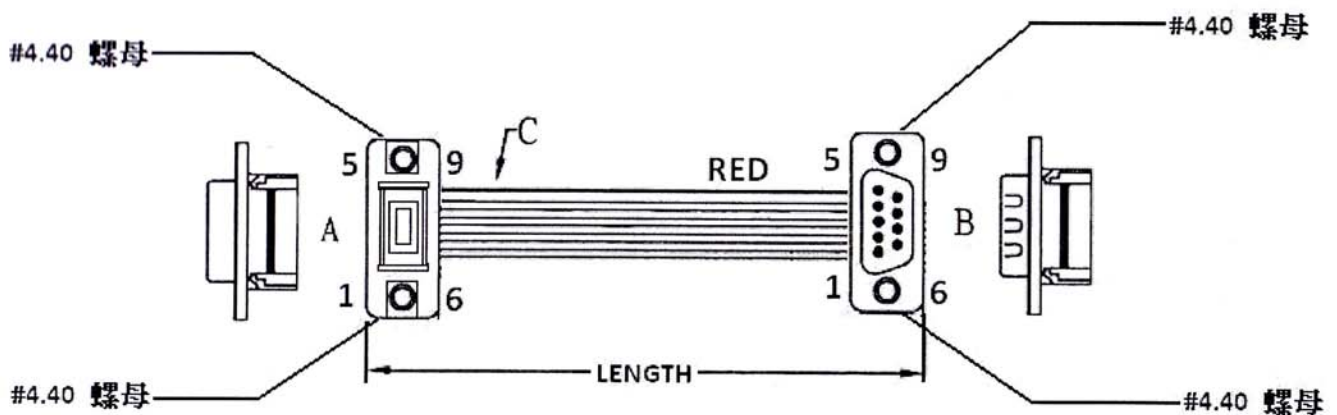
A	B
1	5
6	9
2	4
7	8
3	3
8	7
4	2
9	6
5	1

ORDERING INFORMATION:

P/N $\frac{KA}{1} \frac{xx}{2} \frac{GD}{3} - \frac{xx}{4} \frac{CM}{5} \frac{x}{5}$

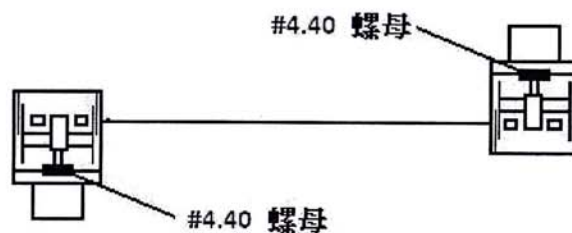
1. FLAT CABLE TYPE:
"KA" 1.27MM AWG28 UL2651 VW-1
PVC INSULATION GRAY
2. NO. OF CONTACTS:
09, 15, 25, 37
3. CONNECTORS AT TWO ENDS:
"GD" D-SUB. FEMALE IDC TYPE CONNECTOR
TO D-SUB. MALE IDC TYPE CONNECTOR
4. LENGTH IN CM (CENTIMETERS)
5. NUT OPTION AT TWO CONNECTORS:
"N" WITH UNC4-40 NUTS
"W" WITHOUT NUTS

**1.27MM PITCH FLAT CABLE WITH 9, 15, 25, 37 PIN D-SUB.
FEMALE TO MALE CONNECTORS (5)**



PIN TO PIN

第1pin對灰色

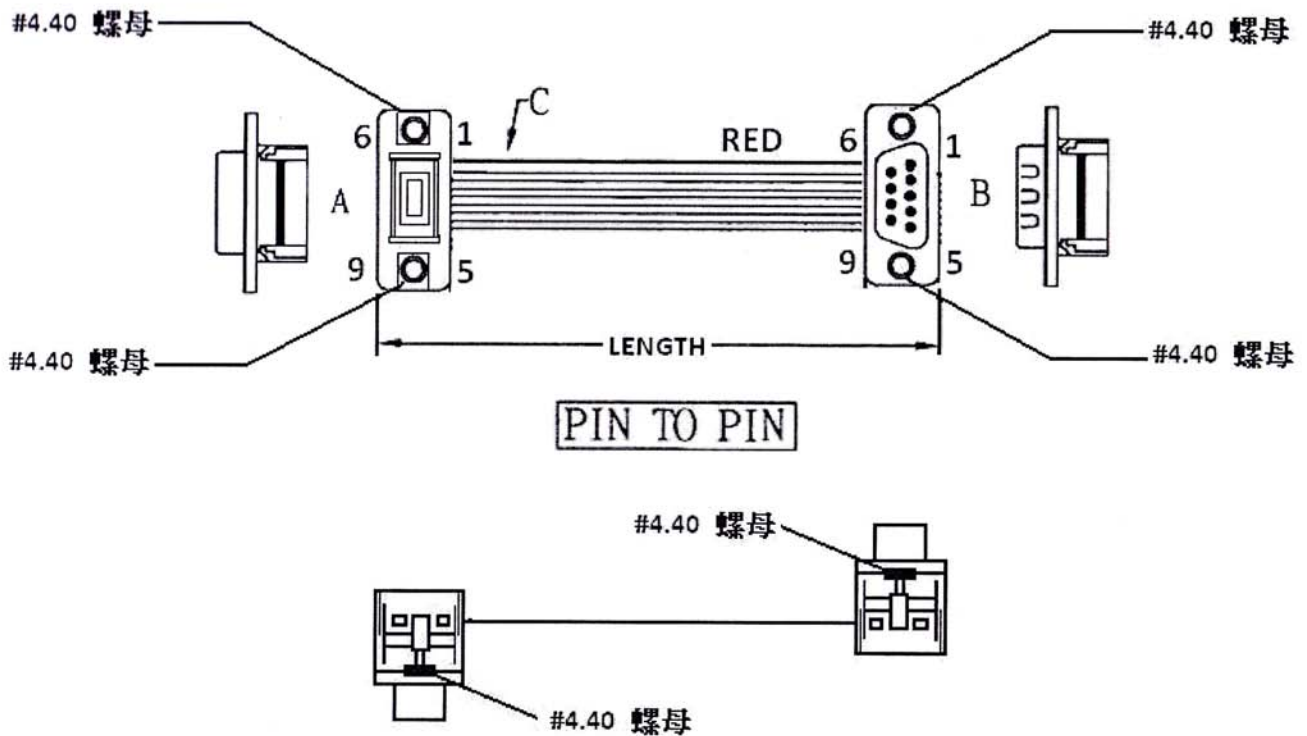


ORDERING INFORMATION:

P/N $\frac{KA}{1} \frac{xx}{2} \frac{GE}{3} - \frac{xx}{4} \frac{CM}{5} \frac{x}{5}$

1. FLAT CABLE TYPE:
"KA" 1.27MM AWG28 UL2651 VW-1
PVC INSULATION GRAY
2. NO. OF CONTACTS:
09, 15, 25, 37
3. CONNECTORS AT TWO ENDS:
"GE" D-SUB. FEMALE IDC TYPE CONNECTOR
TO D-SUB. MALE IDC TYPE CONNECTOR
4. LENGTH IN CM (CENTIMETERS)
5. NUT OPTION AT TWO CONNECTORS:
"N" WITH UNC4-40 NUTS
"W" WITHOUT NUTS

**1.27MM PITCH FLAT CABLE WITH 9, 15, 25, 37 PIN D-SUB.
FEMALE TO MALE CONNECTORS (6)**

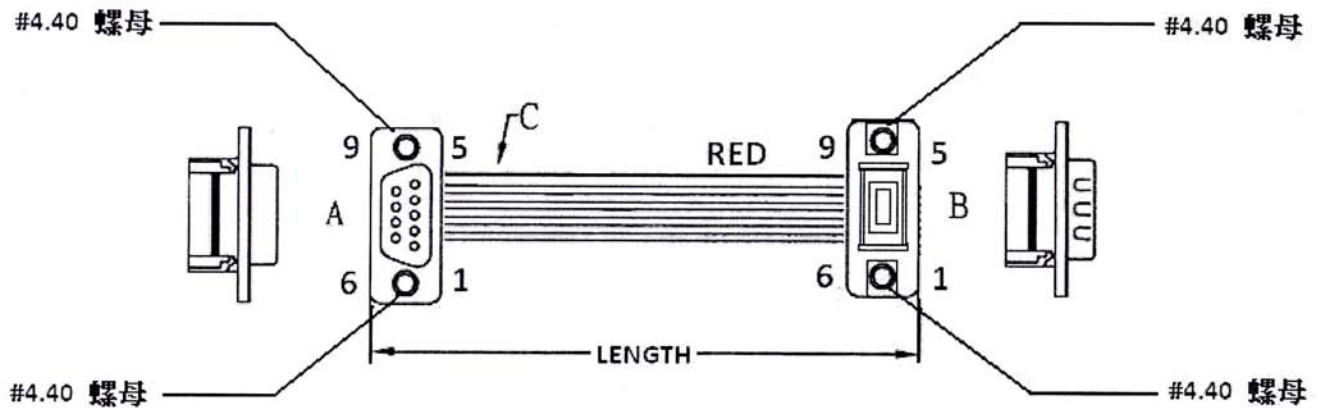


ORDERING INFORMATION:

P/N $\frac{KA}{1} \frac{xx}{2} \frac{GF}{3} - \frac{xx}{4} CM \frac{x}{5}$

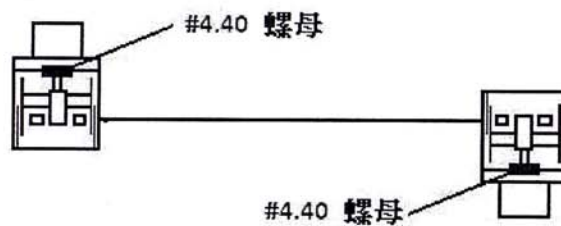
1. FLAT CABLE TYPE:
"KA" 1.27MM AWG28 UL2651 VW-1
PVC INSULATION GRAY
2. NO. OF CONTACTS:
09, 15, 25, 37
3. CONNECTORS AT TWO ENDS:
"GF" D-SUB. FEMALE IDC TYPE CONNECTOR
TO D-SUB. MALE IDC TYPE CONNECTOR
4. LENGTH IN CM (CENTIMETERS)
5. NUT OPTION AT TWO CONNECTORS:
"N" WITH UNC4-40 NUTS
"W" WITHOUT NUTS

**1.27MM PITCH FLAT CABLE WITH 9, 15, 25, 37 PIN D-SUB.
FEMALE TO MALE CONNECTORS (7)**



PIN TO PIN

第1pin對灰色

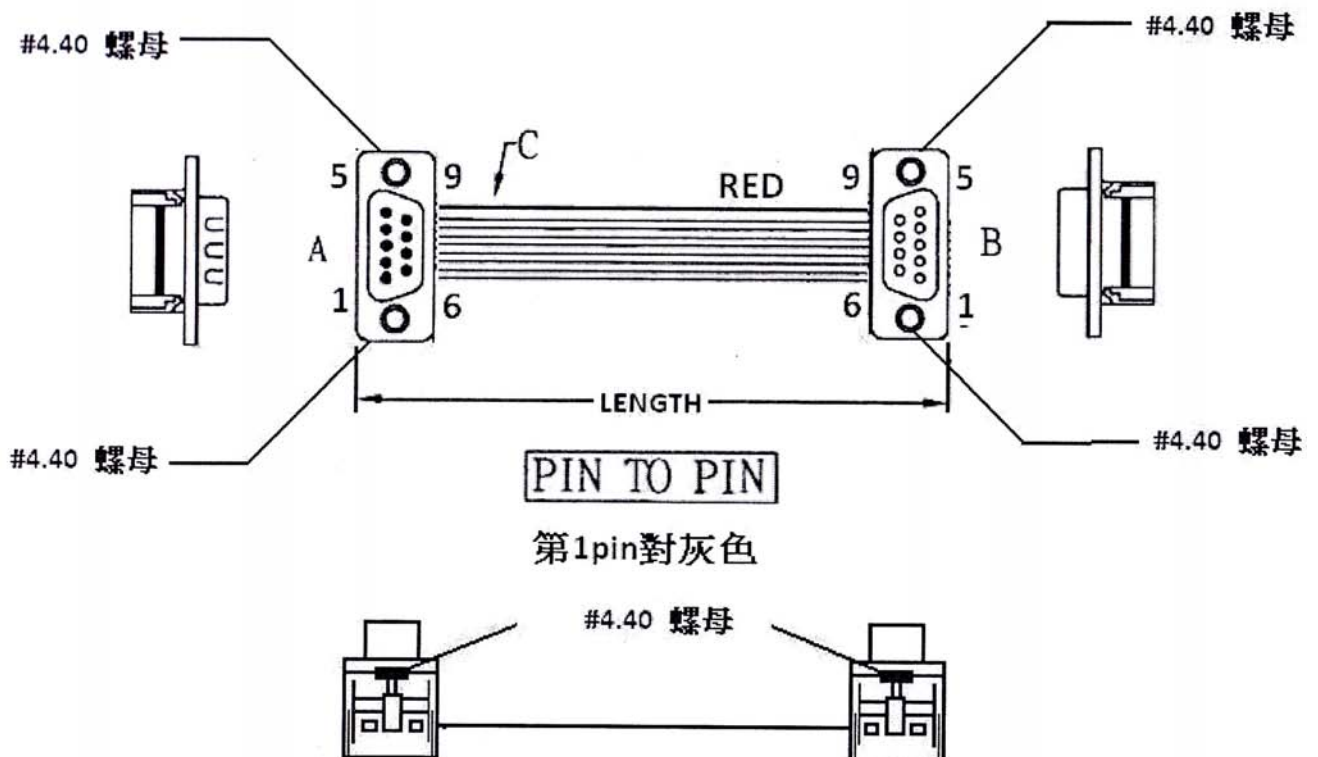


ORDERING INFORMATION:

P/N $\frac{KA}{1}$ $\frac{xx}{2}$ $\frac{GJ}{3}$ - $\frac{xx}{4}$ $\frac{CM}{5}$ $\frac{x}{5}$

1. FLAT CABLE TYPE:
"KA" 1.27MM AWG28 UL2651 VW-1
PVC INSULATION GRAY
2. NO. OF CONTACTS:
09, 15, 25, 37
3. CONNECTORS AT TWO ENDS:
"GJ" D-SUB. FEMALE IDC TYPE CONNECTOR
TO D-SUB. MALE IDC TYPE CONNECTOR
4. LENGTH IN CM (CENTIMETERS)
5. NUT OPTION AT TWO CONNECTORS:
"N" WITH UNC4-40 NUTS
"W" WITHOUT NUTS

**1.27MM PITCH FLAT CABLE WITH 9, 15, 25, 37 PIN D-SUB.
MALE TO FEMALE CONNECTORS (1)**

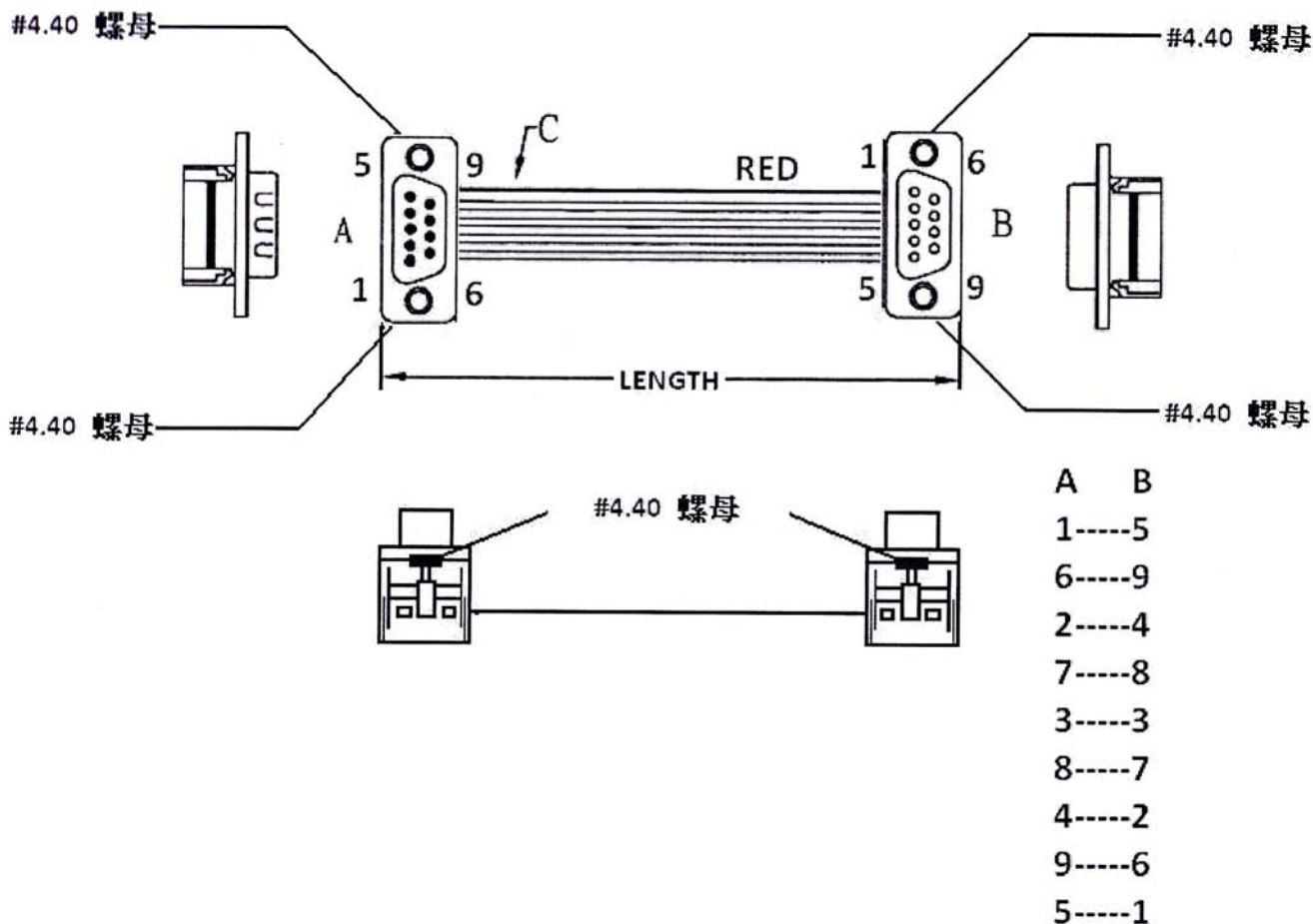


ORDERING INFORMATION:

P/N $\frac{K}{1} \frac{A}{2} \frac{xx}{3} \frac{FD}{4} - \frac{xx}{5} C M x$

1. FLAT CABLE TYPE:
"KA" 1.27MM AWG28 UL2651 VW-1
PVC INSULATION GRAY
2. NO. OF CONTACTS:
09, 15, 25, 37
3. CONNECTORS AT TWO ENDS:
"FD" D-SUB. MALE IDC TYPE CONNECTOR
TO D-SUB. FEMALE IDC TYPE CONNECTOR
4. LENGTH IN CM (CENTIMETERS)
5. NUT OPTION AT TWO CONNECTORS:
"N" WITH UNC4-40 NUTS
"W" WITHOUT NUTS

**1.27MM PITCH FLAT CABLE WITH 9, 15, 25, 37 PIN D-SUB.
MALE TO FEMALE CONNECTORS (2)**

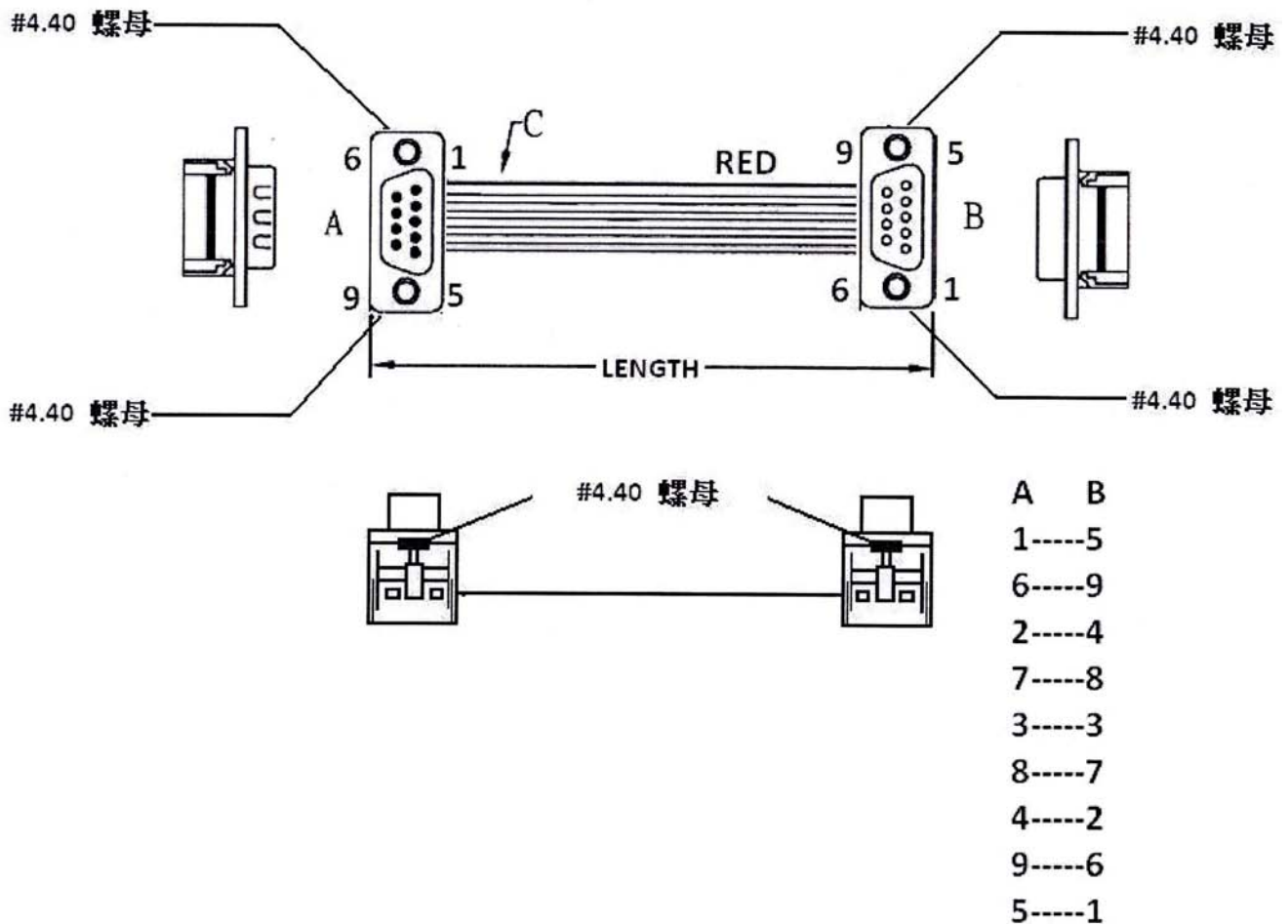


ORDERING INFORMATION:

P/N $\frac{KA}{1} \frac{XX}{2} \frac{FF}{3} - \frac{XX}{4} CM \frac{X}{5}$

1. FLAT CABLE TYPE:
"KA" 1.27MM AWG28 UL2651 VW-1
PVC INSULATION GRAY
2. NO. OF CONTACTS:
09, 15, 25, 37
3. CONNECTORS AT TWO ENDS:
"FF" D-SUB. MALE IDC TYPE CONNECTOR
TO D-SUB. FEMALE IDC TYPE CONNECTOR
4. LENGTH IN CM (CENTIMETERS)
5. NUT OPTION AT TWO CONNECTORS:
"N" WITH UNC4-40 NUTS
"W" WITHOUT NUTS

**1.27MM PITCH FLAT CABLE WITH 9, 15, 25, 37 PIN D-SUB.
MALE TO FEMALE CONNECTORS (3)**



ORDERING INFORMATION:

P/N $\frac{KA}{1} \frac{xx}{2} \frac{FJ}{3} - \frac{xx}{4} CM \frac{x}{5}$

1. FLAT CABLE TYPE:
"KA" 1.27MM AWG28 UL2651 VW-1
PVC INSULATION GRAY
2. NO. OF CONTACTS:
09, 15, 25, 37
3. CONNECTORS AT TWO ENDS:
"FJ" D-SUB. MALE IDC TYPE CONNECTOR
TO D-SUB. FEMALE IDC TYPE CONNECTOR
4. LENGTH IN CM (CENTIMETERS)
5. NUT OPTION AT TWO CONNECTORS:
"N" WITH UNC4-40 NUTS
"W" WITHOUT NUTS