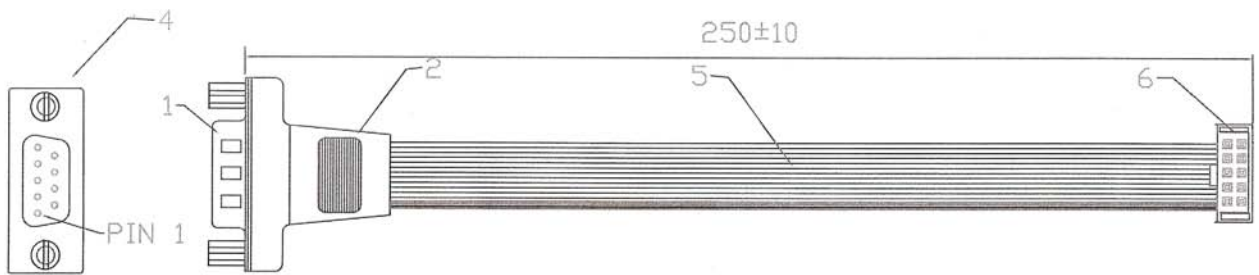
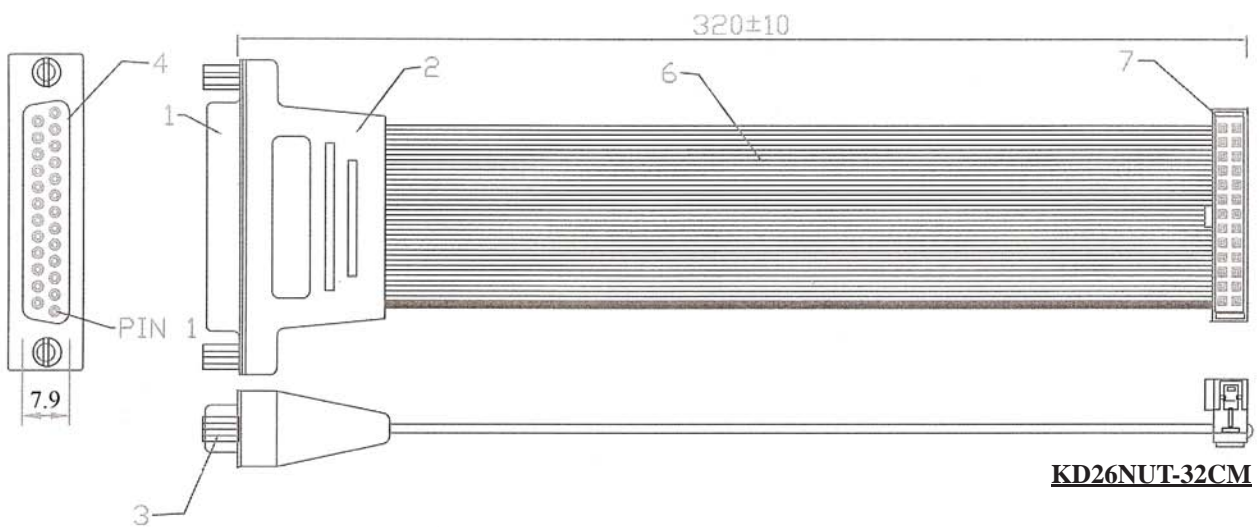


## 1.27MM PITCH FLAT CABLE WITH D-SUB. CONNECTOR (1)



**KD09NUT-25CM**



**KD26NUT-32CM**

### **ORDERING INFORMATION:**

#### **P/N KD09NUT-LENGTH**

FLAT CABLE DB9M(MALE) WITH UNC4-40 NUTS & HOOD TO IDC SOCKET 10P, LENGTH IN CM

#### **P/N KD10NUT-LENGTH**

FLAT CABLE DB9F(FEMALE) WITH UNC4-40 NUTS & HOOD TO IDC SOCKET 10P, LENGTH IN CM

#### **P/N KD25NUT-LENGTH**

FLAT CABLE DB25M(MALE) WITH UNC4-40 NUTS & HOOD TO IDC SOCKET 26P, LENGTH IN CM

#### **P/N KD26NUT-LENGTH**

FLAT CABLE DB25F(FEMALE) WITH UNC4-40 NUTS & HOOD TO IDC SOCKET 26P, LENGTH IN CM

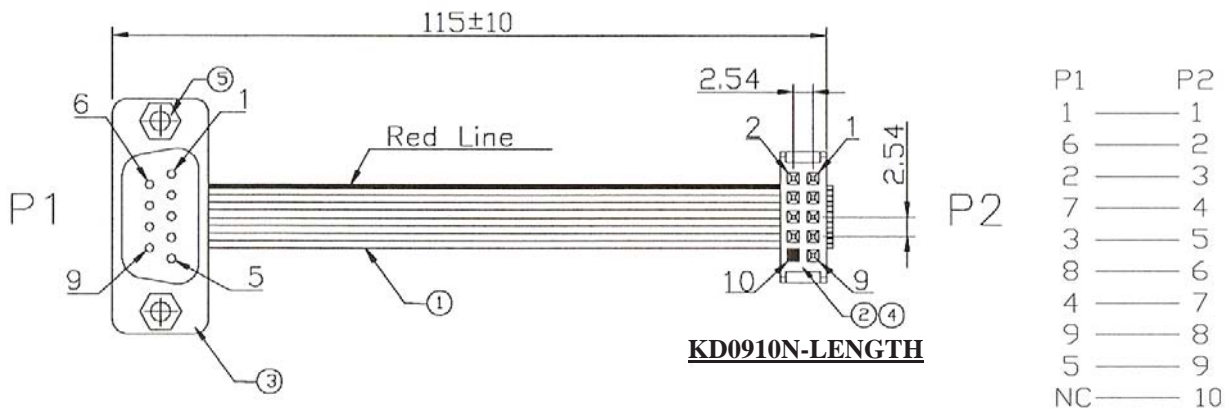
## 1.27MM PITCH FLAT CABLE WITH D-SUB. CONNECTOR (2)

### MATERIALS

Housing: PVC, UL94V-0

Terminal: Copper Alloy

All materials must be RoHS compliant.



### ORDERING INFORMATION:

#### P/N KD0910M-LENGTH

FLAT CABLE DB9M(MALE) WITH UNC4-40 NUTS TO IDC SOCKET 10P, LENGTH IN CM

#### P/N KD0910N-LENGTH

FLAT CABLE DB9F(FEMALE) WITH UNC4-40 NUTS TO IDC SOCKET 10P, LENGTH IN CM

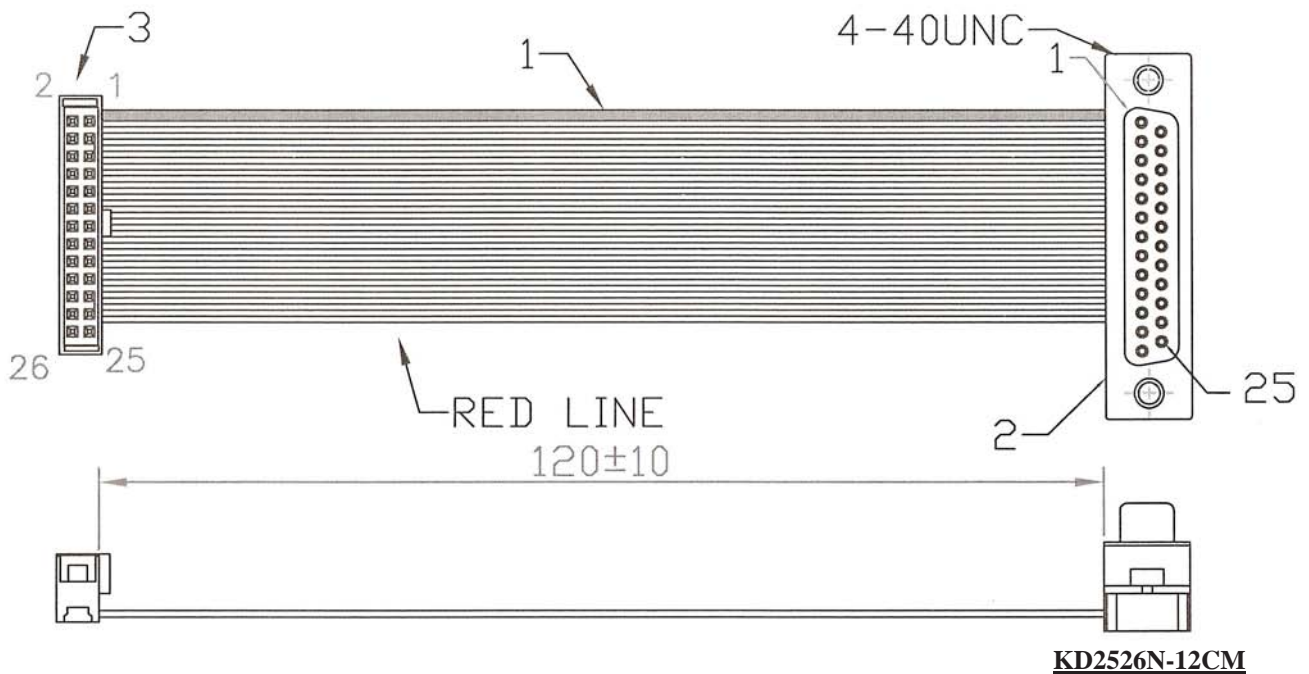
#### P/N KD0910S-LENGTH

FLAT CABLE DB9M(MALE) W/O UNC4-40 NUTS TO IDC SOCKET 10P, LENGTH IN CM

#### P/N KD0910T-LENGTH

FLAT CABLE DB9F(FEMALE) W/O UNC4-40 NUTS TO IDC SOCKET 10P, LENGTH IN CM

## 1.27MM PITCH FLAT CABLE WITH D-SUB. CONNECTOR (3)



### PIN ASSINGMENT

DB25	1	2	3	4	5	6	7	8	9	10	11	12	13	14	15	16	17	18	19	20	21	22	23	24	25	NC
IDE26	1	3	5	7	9	11	13	15	17	19	21	23	25	2	4	6	8	10	12	14	16	18	20	22	24	26

### ORDERING INFORMATION:

#### **P/N K D 2 5 2 6 S - L E N G T H**

FLAT CABLE DB25M(MALE) WITH THROUGH HOLES TO IDC SOCKET 26P, LENGTH IN CM

#### **P/N K D 2 5 2 6 T - L E N G T H**

FLAT CABLE DB25F(FEMALE) WITH THROUGH HOLES TO IDC SOCKET 26P, LENGTH IN CM

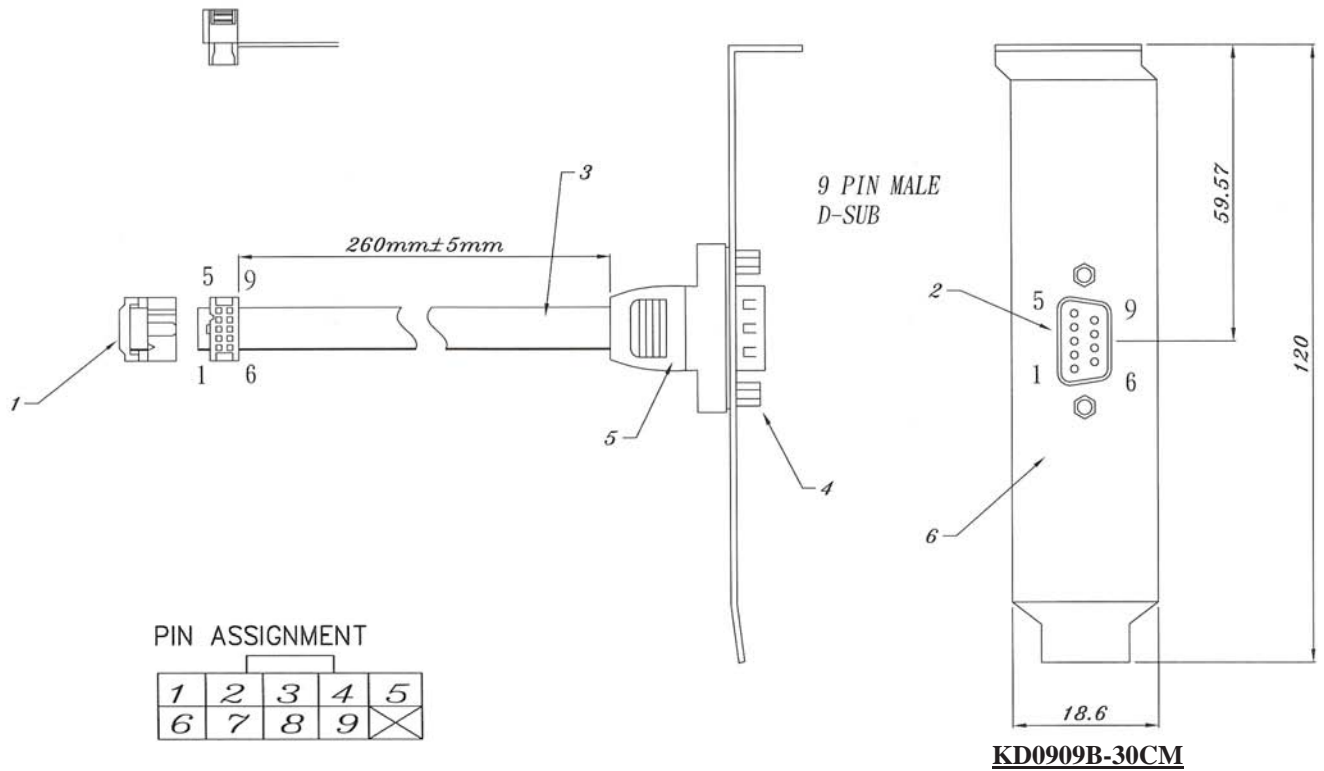
#### **P/N K D 2 5 2 6 M - L E N G T H**

FLAT CABLE DB25M(MALE) WITH RIVETED UNC4-40 NUTS TO IDC SOCKET 26P, LENGTH IN CM

#### **P/N K D 2 5 2 6 N - L E N G T H**

FLAT CABLE DB25F(FEMALE) WITH RIVETED UNC4-40 NUTS TO IDC SOCKET 26P, LENGTH IN CM

## 1.27MM PITCH FLAT CABLE ASSEMBLY WITH METAL BRACKET



### ORDERING INFORMATION:

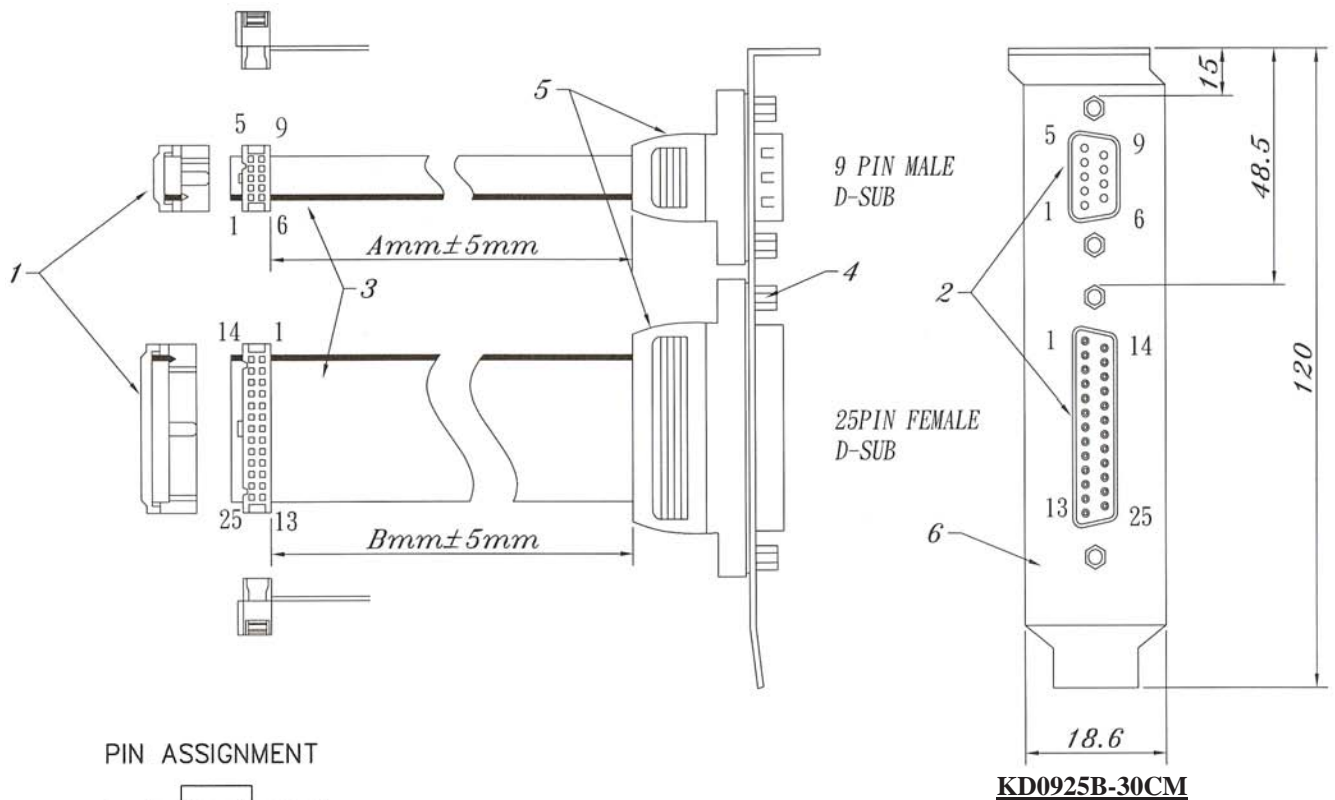
#### **P/N KD0909B-30CM**

FLAT CABLE DB9M TO 2.54MM IDC SOCKET 10P WITH STANDARD PROFILE(120MM)  
METAL SLOT BRACKET 30CM

#### **P/N KD0910B-30CM**

DITTO, BUT WITH LOW PROFILE(90MM) METAL SLOT BRACKET

## 1.27MM PITCH FLAT CABLE ASSEMBLY WITH METAL BRACKET



### PIN ASSIGNMENT

1	2	3	4	5
6	7	8	9	×

1	2	3	4	5	6	7	8	9	10	11	12	13
14	15	16	17	18	19	20	21	22	23	24	25	×

### ORDERING INFORMATION:

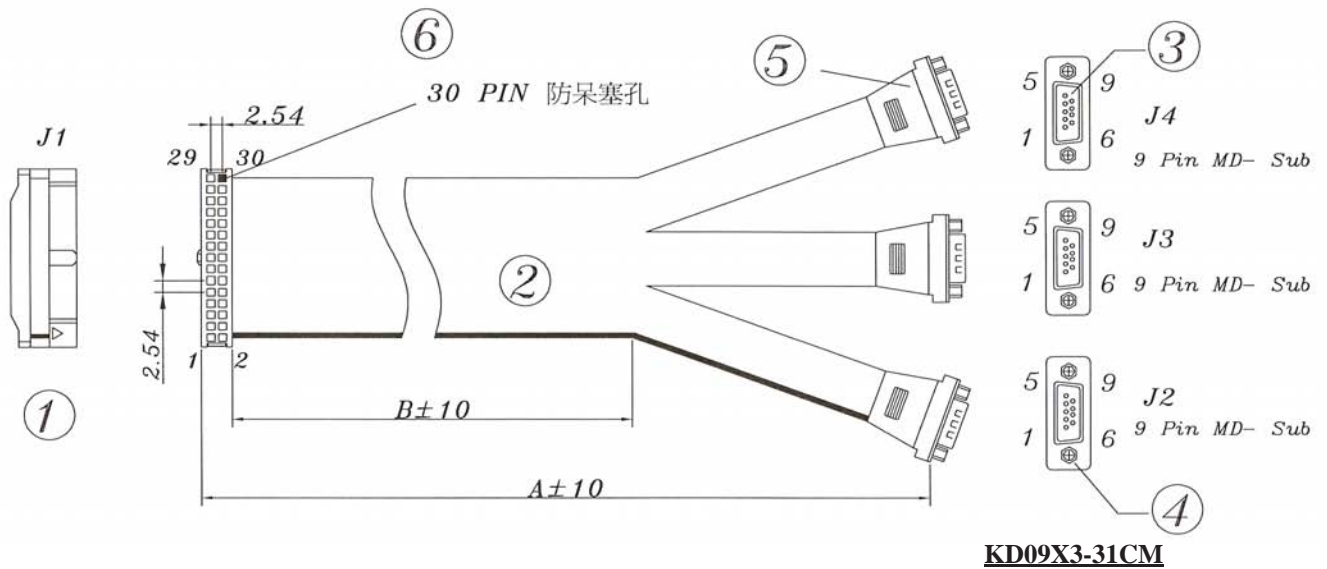
#### **P/N K D 0 9 2 5 B - 3 0 C M**

FLAT CABLE DB9M + DB25F TO 2.54MM IDC SOCKETS 10P + 26P WITH STANDARD PROFILE(120MM) METAL SLOT BRACKET

#### **P/N K D 0 9 2 6 B - 3 0 C M**

DITTO, BUT WITH LOW PROFILE(90MM) METAL SLOT BRACKET

## 1.27MM PITCH FLAT SPLITTER CABLE

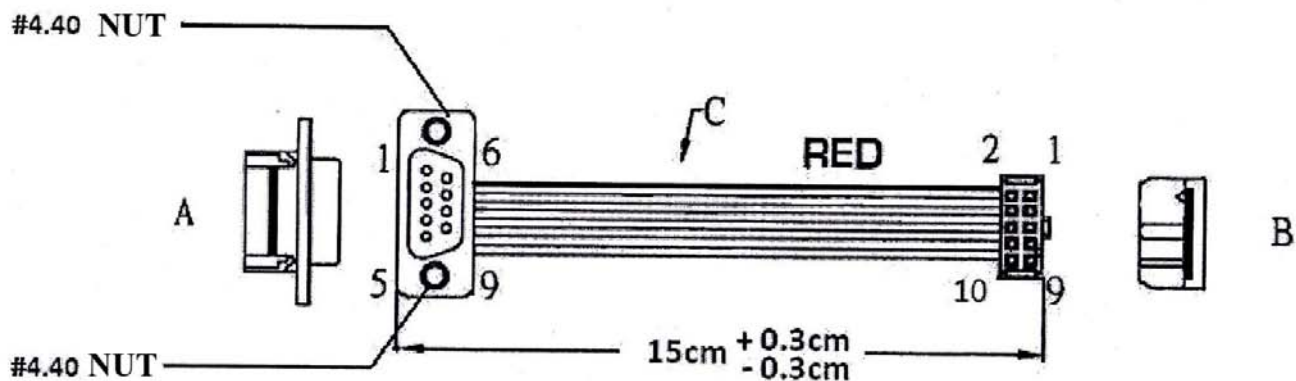


### ORDERING INFORMATION:

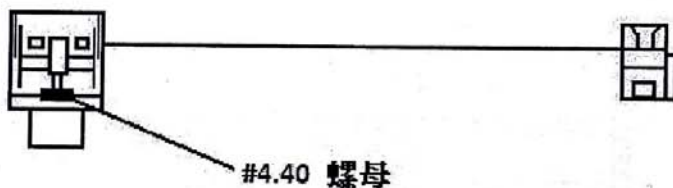
**P/N K D 0 9 X 3 - A / B**

FLAT CABLE 2.54MM IDC SOCKET 30 PIN WITH S.R. TO  
3\*DB9M WITH UNC4-40 NUTS, A&B= LENGTH IN CM

**1.27MM PITCH FLAT CABLE WITH 9, 15, 25, 37 PIN D-SUB. FEMALE TO  
2.54MM 10, 16, 26, 40 PIN IDC SOCKET W/O S.R.**



A	1	6	2	7	3	8	4	9	5	NC
B	1	2	3	4	5	6	7	8	9	10



**ORDERING INFORMATION:**

**P/N**  $\frac{KA}{1}$   $\frac{xx}{2}$   $\frac{LF}{3}$  -  $\frac{xx}{4}$  **CM**  $\frac{B}{5}$   $\frac{x}{6}$

- |                                                                                                                                                                                                                                                                     |                                                                                                                                                                                   |
|---------------------------------------------------------------------------------------------------------------------------------------------------------------------------------------------------------------------------------------------------------------------|-----------------------------------------------------------------------------------------------------------------------------------------------------------------------------------|
| <p>1. FLAT CABLE TYPE:<br/>"KA" 1.27MM AWG28 UL2651 VW-1<br/>PVC INSULATION GRAY</p> <p>2. NO. OF CONTACTS:<br/>10, 16, 26, 40 (IDC SOCKET)</p> <p>3. CONNECTORS AT TWO ENDS:<br/>"LF" D-SUB. FEMALE IDC TYPE CONNECTOR<br/>TO 2.54MM PITCH IDC SOCKET W/O S.R.</p> | <p>4. LENGTH IN CM (CENTIMETERS)</p> <p>5. COLOR OF IDC SOCKET:<br/>"B" BLACK</p> <p>6. NUT OPTION AT END OF D-SUB. CONNECTOR:<br/>"N" WITH UNC4-40 NUTS<br/>"W" WITHOUT NUTS</p> |
|---------------------------------------------------------------------------------------------------------------------------------------------------------------------------------------------------------------------------------------------------------------------|-----------------------------------------------------------------------------------------------------------------------------------------------------------------------------------|