



Datasheet | EA01 DC filter EP-402 Series

El.italia EC-EA01 [EP-402] serie

General Purpose DC EMI Filter

Conformance



Technical specifications

Operating voltage	12 VDC
Current rating	6A
Voltage drop	1 Volt max.
High potential test voltage	+,- to E 1500VAC
Insulation resistance	≥ 300 MΩ @ 500VDC (+,- to E)
Operating temperature	40°c /-25°c +85°c

*Image shown is for illustrative purpose only

Features and benefit:

- | All filters provide high attenuation performance.
- | All filters compliance to EN60939-3:2015 & EN60939- 2:2005 standards.
- | Compact PCB-mountable design.
- | High reliable.
- | Plastic housing with good aesthetic.
- | Single stage.
- | Input and output connection through soldering pins.
- | Cost effective solution.

Attenuation Type:

Single Stage **Standard**

Application:

- | Modems
- | Network Routing Equipment
- | Servers
- | Ethernet Hubs
- | Base Stations
- | Power Supplies
- | Photovoltaic Inverters
- | DC Motor Drives
- | DC Chargers
- | Frequency Inverters
- | Energy Systems

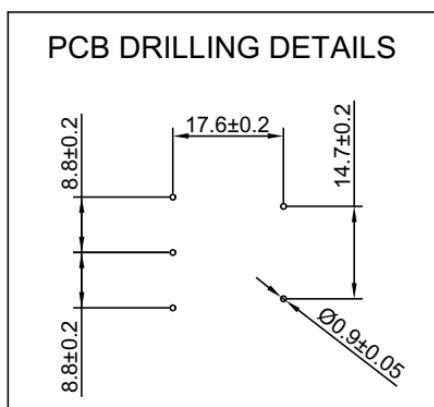
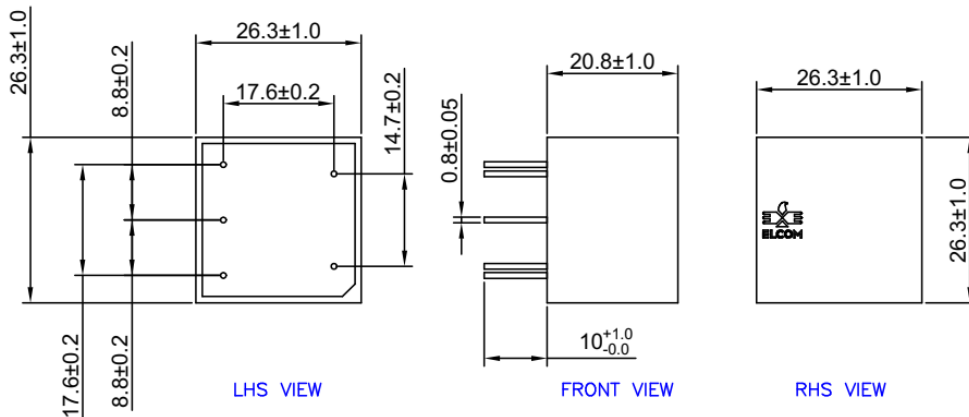
Datasheet | EA01 DC filter

EP-402 Series



El.italia EC-EA01 [EP-402] serie

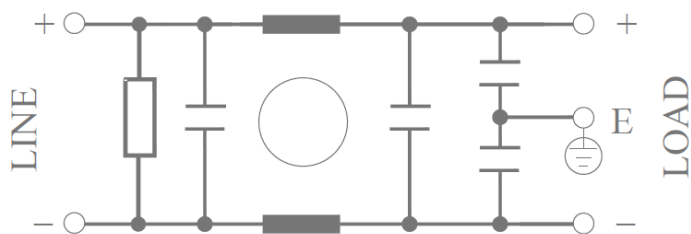
Electrical schematic for Filter



*All dimensions are in mm.

Note: For medical application filter, earthing terminal is not provided.

Electrical schematic for Filter



Datasheet | EA01 DC filter

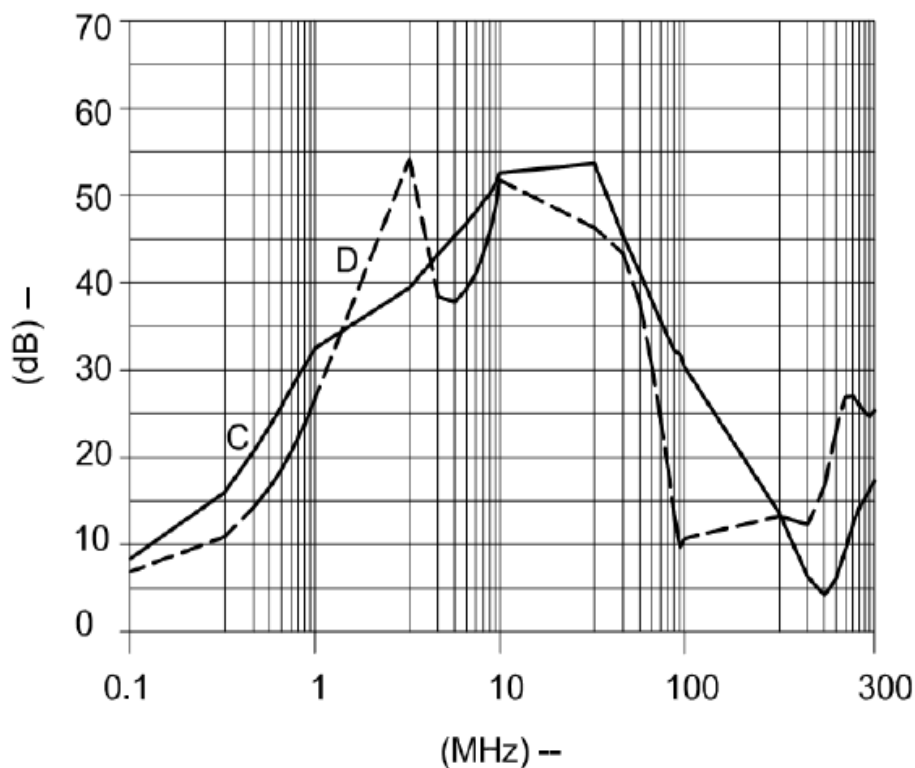
EP-402 Series



El.italia EC-EA01 [EP-402] serie

Filter attenuation Graph

C = Common mode (asymmetrical) _____
 D = Differential mode (symmetrical) -----



Filter Selection Table –

Sr. No.	Elcom part codes (ordering code)	Rated Current rating (A) @40°C	Pin-type terminal ↓	Approx. weight (gm)	Attenuation
1	EF-4A006A01G-A01	6	A	25	Standard

- Customize products provided on request.



Datasheet | EA01 DC filter EP-402 Series

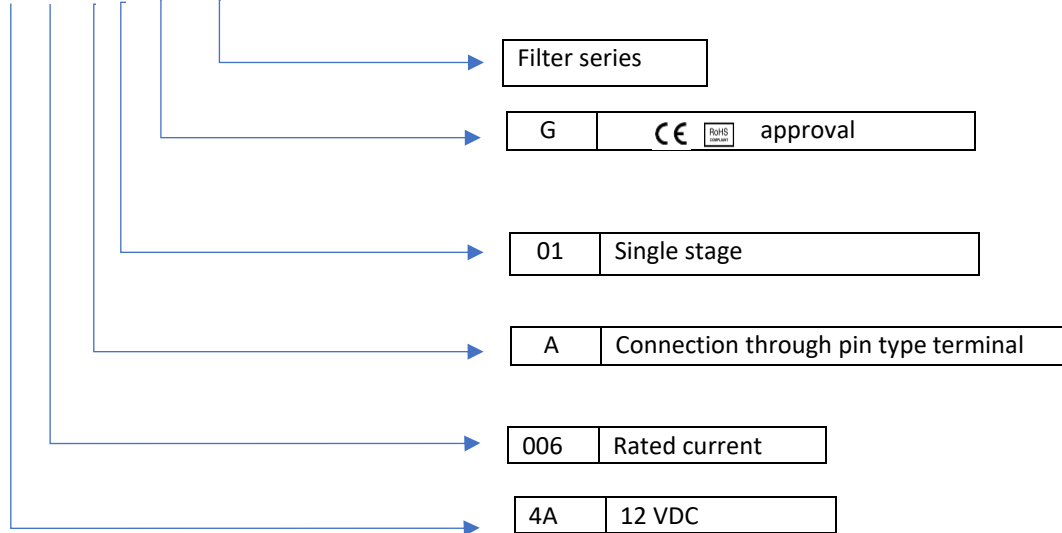
El.italia EC-EA01 [EP-402] serie

Connection Type

Current Rating (A)	Connection
6	Pin type terminal

Syntax

EF - 4A CCC X YY G - A01





Datasheet | EA02 DC filter EP-403 Series



El.italia EC-EA02 [EP-403] serie

General Purpose DC EMI Filter

Conformance



Technical specifications

Operating voltage	12 VDC
Current rating	6A
Voltage drop	1 Volt max.
High potential test voltage	+,- to E 1500VAC
Insulation resistance	≥ 300 MΩ @ 500VDC (+,- to E)
Operating temperature	40°c /-25°c +85°c

*Image shown is for illustrative purpose only

Features and benefit:

- | All filters provide high attenuation performance.
- | All filters compliance to EN60939-3:2015 & EN60939- 2:2005 standards.
- | Compact PCB-mountable design.
- | High reliable.
- | Plastic housing with good aesthetic.
- | Single stage.
- | Input and output connection through soldering pins.
- | With surge suppressor filters also available.
- | Cost effective solution.

Attenuation Type:

- Single Stage
- Standard**

Application:

- | Modems
- | Network Routing Equipment
- | Servers
- | Ethernet Hubs
- | Base Stations
- | Power Supplies
- | Photovoltaic Inverters
- | DC Motor Drives
- | DC Chargers
- | Frequency Inverters
- | Energy Systems

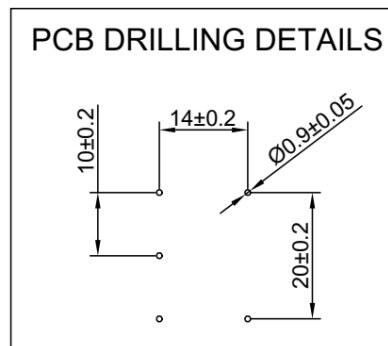
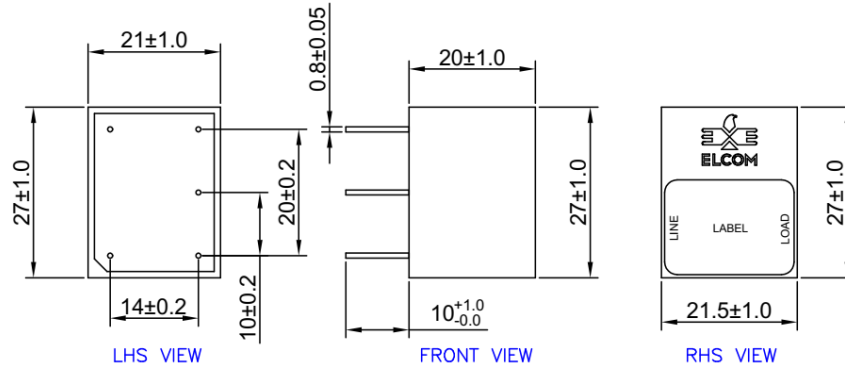


Datasheet | EA02 DC filter EP-403 Series



El.italia EC-EA02 [EP-403] serie

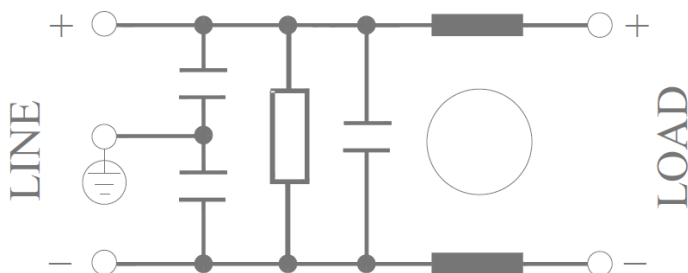
Electrical schematic for Filter



*All dimensions are in mm.

Note: For medical application filter, earthing terminal is not provided.

Electrical schematic for Filter





Datasheet | EA02 DC filter EP-403 Series

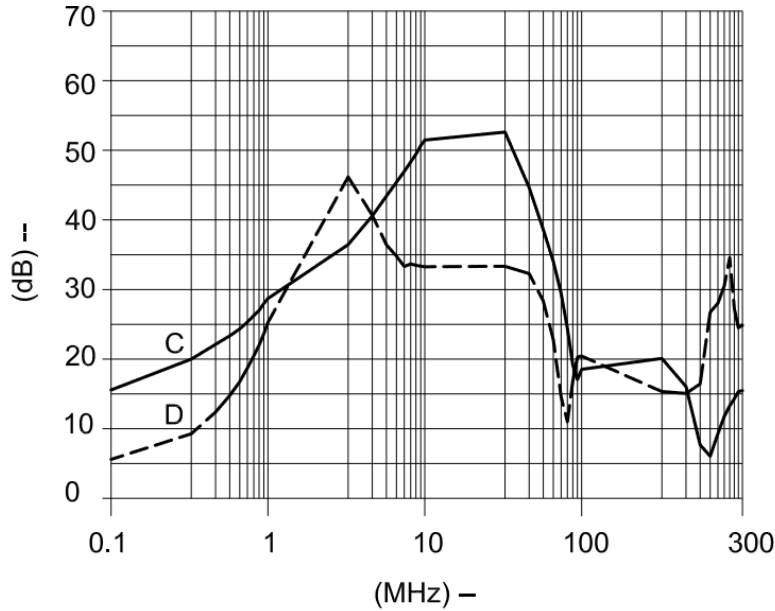


El.italia EC-EA02 [EP-403] serie

Filter attenuation Graph

C = Common mode (asymmetrical) _____

D = Differential mode (symmetrical) -----



Filter Selection Table –

Sr. No.	Elcom part codes (ordering code)	Rated Current rating (A) @40°C	Pin-type terminal ↓	Approx. weight (gm)	Attenuation
1	EF-4A006A01G-A02	6	A	20	Standard

- Customize products provided on request.



Datasheet | EA02 DC filter EP-403 Series

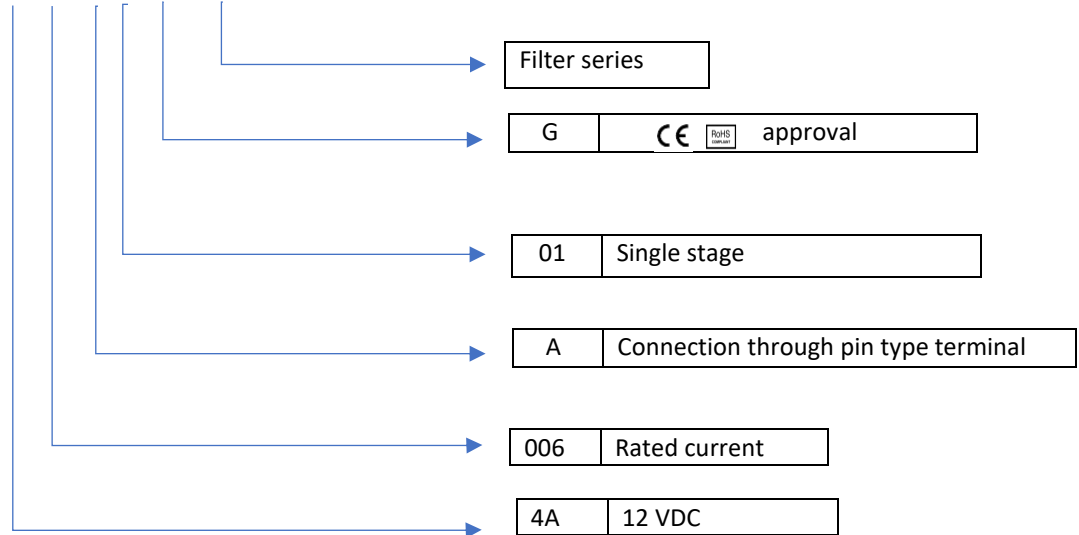
El.italia EC-EA02 [EP-403] serie

Connection Type

Current Rating (A)	Connection
6	Pin type terminal

Syntax

EF - 4A CCC X YY G - A02





El.italia EC-EC01 serie

Conformance



General Purpose DC EMI Filter



Technical specifications

Operating voltage	12 VDC
Current rating	3A
Voltage drop	1 Volt max.
High potential test voltage	+,- to E 1500VAC
Insulation resistance	≥ 300 MΩ @ 500VDC (+,- to E)
Operating temperature	40°C / -25°C +85°C

*Image shown is for illustrative purpose only

Features and benefits

- | All filters provide high attenuation performance.
- | High reliable
- | All filters compliance to EN60939-3:2015 & EN60939-2:2005 standards
- | Easy and fast chassis mountable filter in deep drawn metal can with compact size.
- | CRCA metal can with nickel plating provides good aesthetic and corrosion protection.
- | Various terminal options are available.

Attenuation Type

Single Stage

Standard

Application:

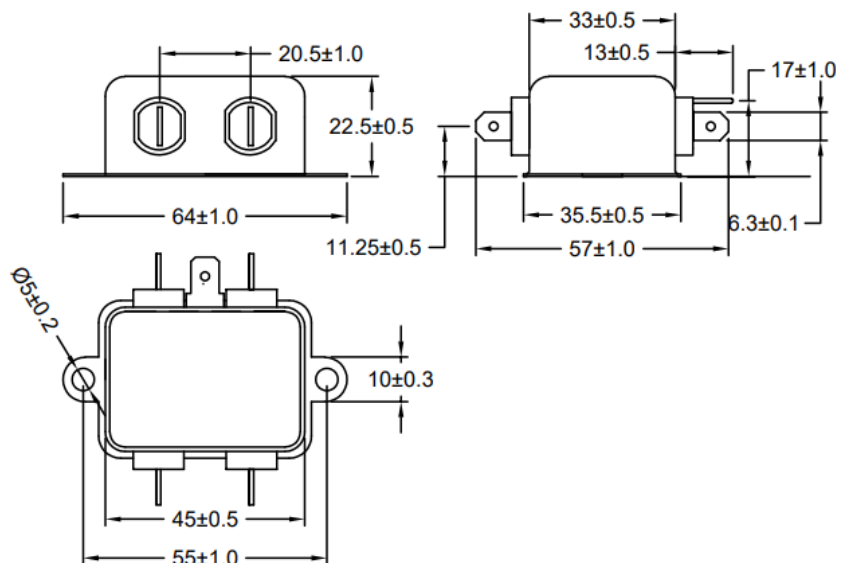
- | Modems
- | Network Routing Equipment
- | Servers
- | Ethernet Hubs
- | Base Stations
- | Power Supplies
- | Photovoltaic Inverters
- | DC Motor Drives
- | DC Chargers
- | Frequency Inverters
- | Energy Systems



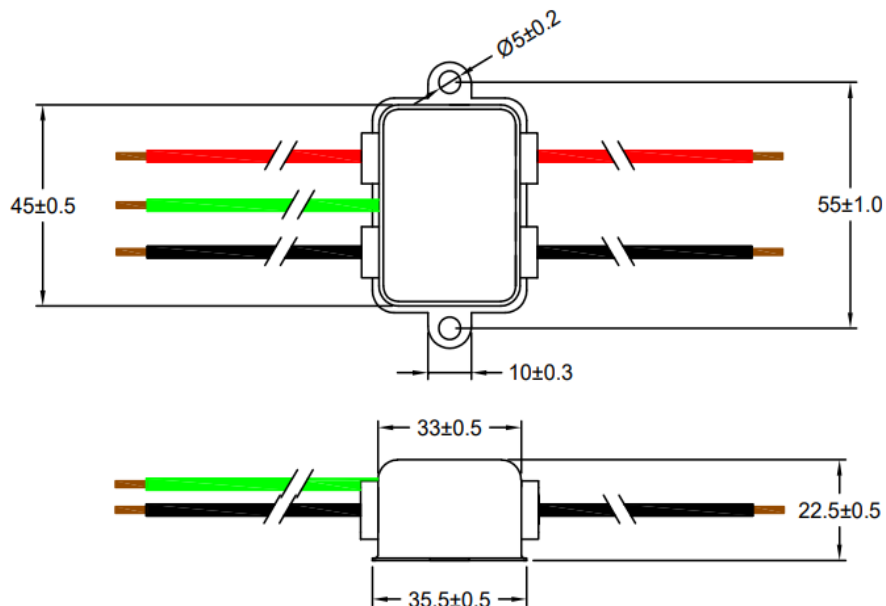
El.italia EC-EC01 serie

Mechanical details

Fast-on terminal



touch safe terminal

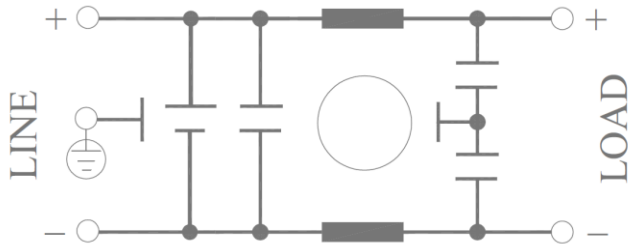


All dimensions in mm.
General tolerance $\pm 1\%$



El.italia EC-EC01 serie

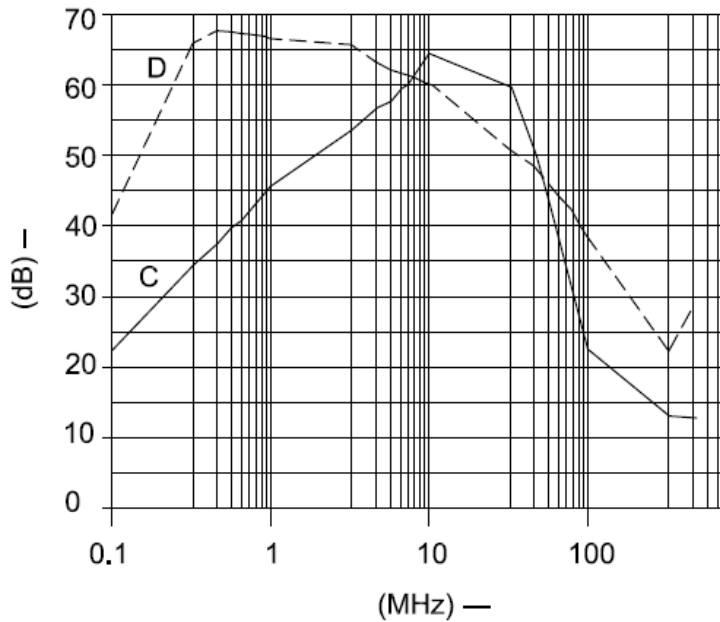
Electrical schematic for filter



Filter attenuation graph

C = Common mode (asymmetrical) _____
 D = Differential mode (symmetrical) -----

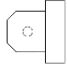

For general purpose





El.italia EC-EC01 serie

Product Selection Table –

Sr. No.	Elcom part codes (ordering code)	Rated Current rating (A) @40°c	Terminal Fast-on 	Wire 	Approx. weight (gm)	Attenuation
1	EF-4A003X01G-C01	3	B	G	80	Standard

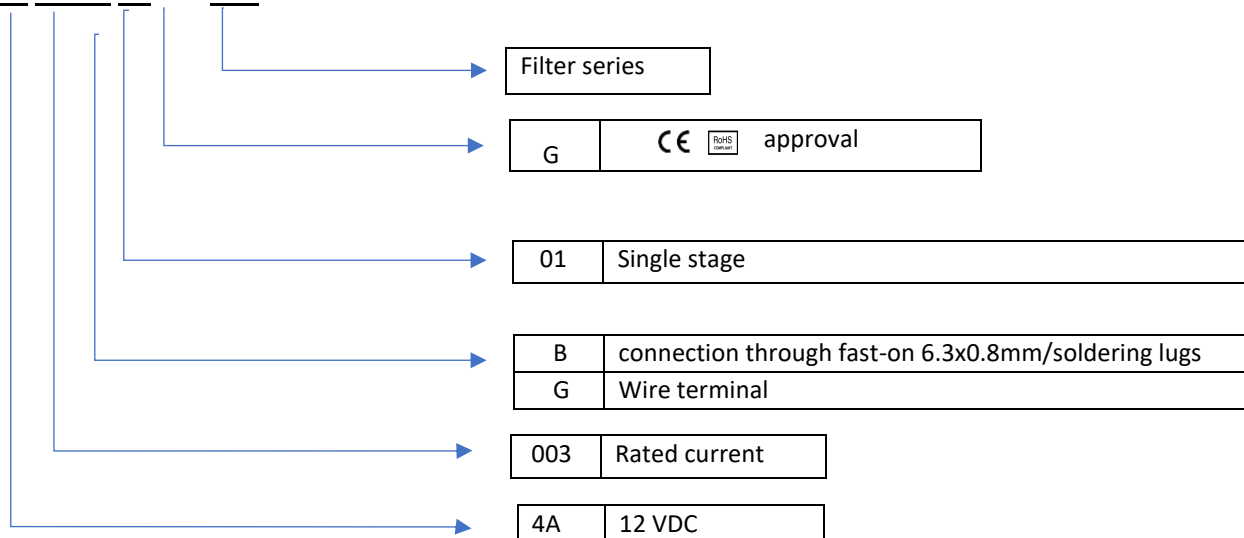
- Customize products provided on request.

Connection Type

Current Rating (A)	Fast -on	Wire	Earthing
3	6.3 X 0.8mm	18AWG	Fast-on terminal/wires

Syntax

EF – 4A CCC X YY G – C01





El.italia EC-EC06 serie

General Purpose DC EMI Filter

Conformance



Technical specifications

Operating voltage	24 VDC
Current rating	1A to 6 Amp
Voltage drop	1 Volt max.
High potential test voltage	+,- to E 1500VAC
Insulation resistance	≥ 300 MΩ @ 500VDC (+,- to E)
Operating temperature	40°C /-25°C +85°C

*Image shown is for illustrative purpose only

Attenuation Type

Double Stage	High
--------------	------

Applications

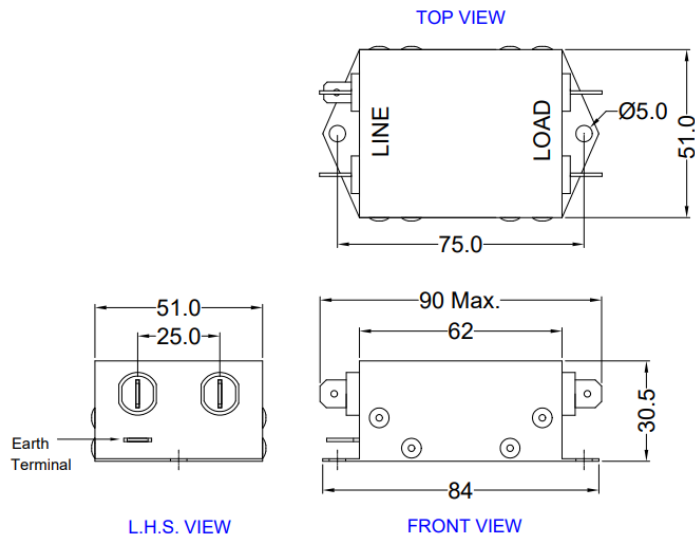
- | Modems
- | Network Routing Equipment
- | Servers
- | Ethernet Hubs
- | Base Stations
- | Power Supplies
- | Photovoltaic Inverters
- | DC Motor Drives
- | DC Chargers
- | Frequency Inverters
- | Energy system

Features and benefits

- | Filters available in double stage
- | All filters provide high attenuation performance.
- | Two stage filters designed for noisy application requiring excellent filter performance.
- | All filters compliance to EN60939-3:2015 & EN60939-2:2005 standards.
- | High reliable
- | Easy and fast chassis mountable filter with compact size.
- | CRCA metal can with nickel plating provides good aesthetic and corrosion protection.
- | FVarious terminal options are available

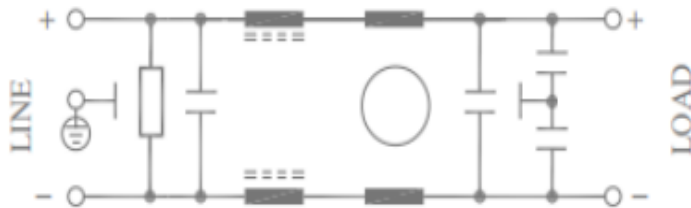


Mechanical details



All dimensions in mm
General tolerance=±2mm

Electrical schematic for Filter

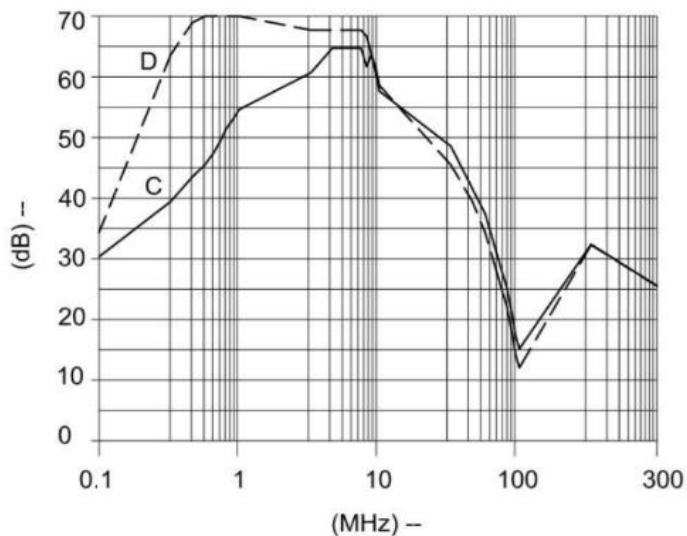




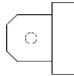
El.italia EC-EC06 serie

Filter attenuation Graph

C = Common mode (asymmetrical) ———
 D = Differential mode (symmetrical) - - - - -



Filter Selection Table

Sr. No.	Elcom part codes (ordering code)	Rated Current rating (A) @40°C	Terminals (X)	Approx. Weight (gm)	Attenuation
			Fast-on 		
1	EF-4B001X24G-C06	1	B	200	Standard
2	EF-4B003X24G-C06	3	B	200	Standard
3	EF-4B006X24G-C06	6	B	200	Standard

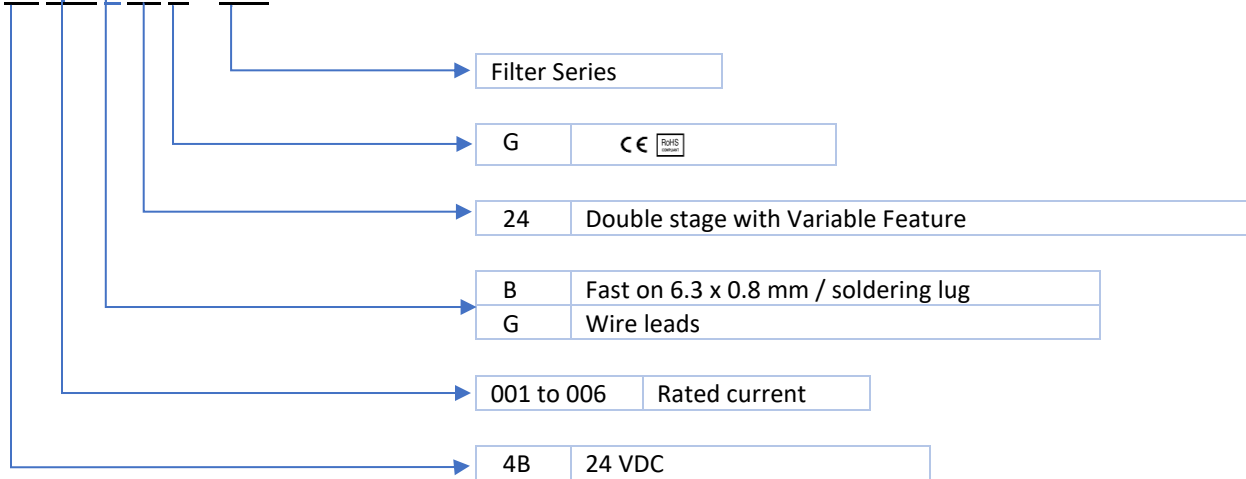
Connection Type

Current Rating (A)	Wire terminal	Fast -on terminal	Earthing
1	0.5 sq.mm.	6.3 X 0.8mm	Wire lead/Fast-on



Syntax

EF - 4B CCC X YY G - C06



- To compile complete part number, replace the 'X' with required I/O connection terminal. (e.g. EF-4B001E24G-C06).
- Customize products provided on request.

Datasheet | EC10 DC filter EP-612 Series



General Purpose DC EMI Filter

El.italia EC-EC10 [EP-612] serie



Technical specifications

Operating voltage	48 VDC
Current rating	1A to 6 Amp
Voltage drop	1 Volt max.
High potential test voltage	+,- to E 1500VAC
Insulation resistance	≥ 300 MΩ @ 500VDC (+,- to E)
Operating temperature	40°C /-25°C +85°C

Image shown is for illustrative purpose only

Features and benefits

- | Filters available in single stage and double stage
- | All filters provide high attenuation performance.
- | Two stage filters designed for noisy application requiring excellent filter performance.
- | All filters compliance to EN60939-3:2015 & EN60939-2:2005 standards.
- | High reliable
- | Chassis mountable filter in fabricated metal can.
- | CRCA metal can with nickel plating provides good aesthetic and corrosion protection.

Attenuation Type

Single Stage **Standard**

Application:

- | Modems
- | Network Routing Equipment
- | Servers
- | Ethernet Hubs
- | Base Stations
- | Power Supplies
- | Photovoltaic Inverters
- | DC Motor Drives
- | DC Chargers
- | Frequency Inverters
- | Energy Systems

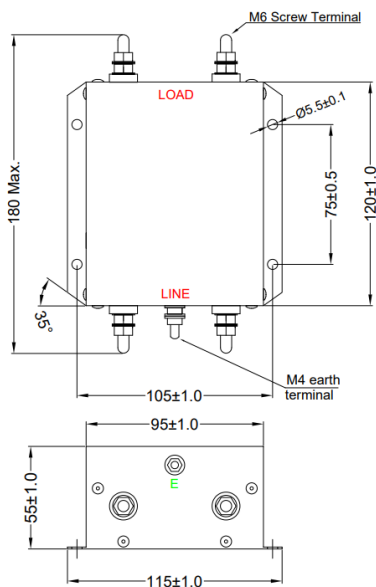
Datasheet | EC10 DC filter EP-612 Series



Mechanical details

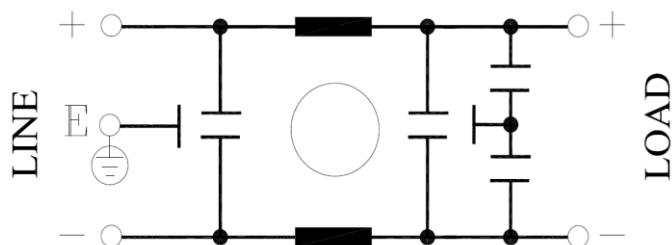
El.italia EC-EC10 [EP-612] serie

I For screw terminal



All dimensions in mm

Electrical schematic for Filter



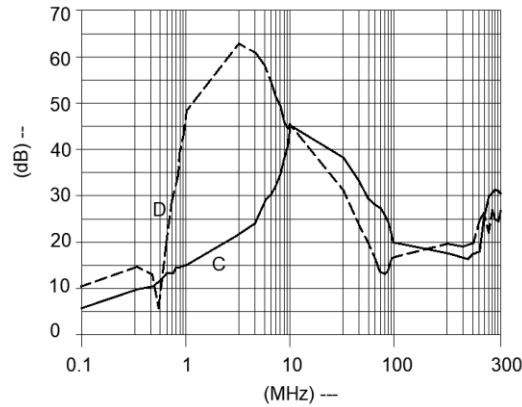
Datasheet | EC10 DC filter EP-612 Series




El.italia EC-EC10 [EP-612] serie

Filter attenuation Graph

C = Common mode (asymmetrical) ———
D = Differential mode (symmetrical) - - - - -



Filter Selection Table

Sr. No.	Elcom part codes (ordering code)	Rated Current rating (A) @40°C	Terminals (X)	Approx. Weight (gm)	Attenuation
			Screw 		
1	EF-4C050X06G-C10	50	D	900	Standard
2	EF-4C075X01G-C10	75	D	900	Standard

- To compile complete part number, replace the 'X' with required I/O connection terminal. (e.g. EF-4C050D06G-C10)
- Customize products provided on request.

Datasheet | EC10 DC filter

EP-612 Series



Connection Type

El.italia EC-EC10 [EP-612] serie

Current Rating (A)	Screw terminal	Earthing
50	M6	M4
75	M8	M4

Syntax

EF - 4C CCC X YY Z - C10

