



## EMI filter with feed through capacitor



\*Image shown is for illustrative purpose only



## Technical specifications

Operating voltage	120/250 VAC
Current rating	10A
Frequency	50/60Hz
Voltage drop	1 Volt max.
High potential test voltage	P -> E 1500VAC
Insulation resistance	≥ 300 MΩ @ 500VDC (PN→E)
Operating temperature	40°C / -25°C +85°C

## Features and benefits

- | Very low internal series inductance
- | Very high self-resonant frequency
- | Self-healing dielectric
- | High quality and reliability
- | Custom-specific or dual-versions on request
- | Cost effective solution
- | All filters provide high attenuation performance

## Attenuation Type

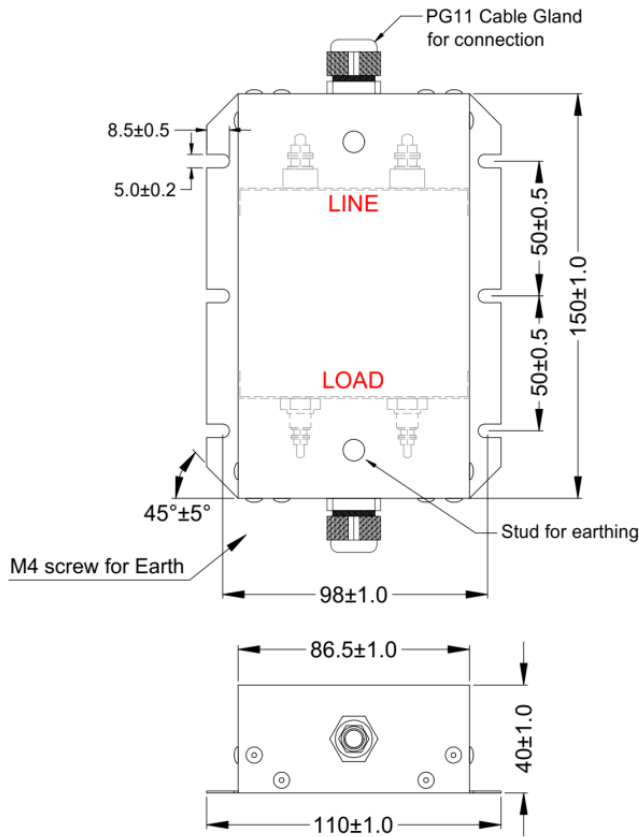
Double stage **High**

## Applications

- | Power line filter
- | Medical equipment
- | Power supplies
- | Switching and cellular equipment
- | Computer servers
- | UPS power supplies
- | Medical equipment
- | Shielded rooms
- | Increasing system and information security
- | Radar applications
- | Electro mobility
- | VFD



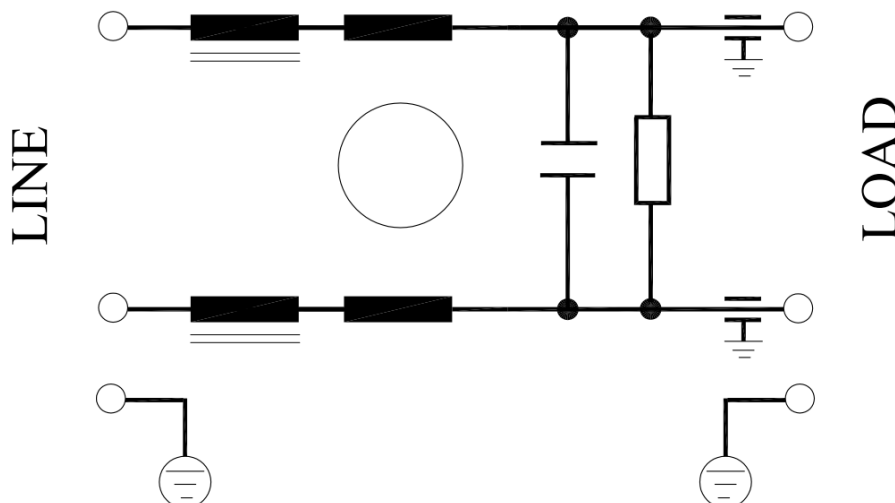
### Mechanical details



All dimensions in mm

### Electrical schematic

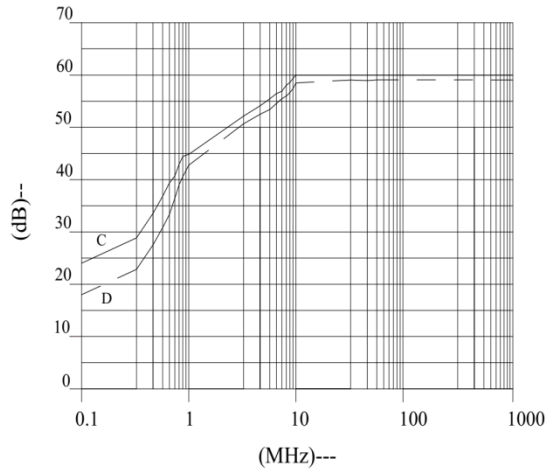
General purpose –





### Filter attenuation Graph

C = Common mode (asymmetrical) —————  
 D = Differential mode (symmetrical) - - - - -

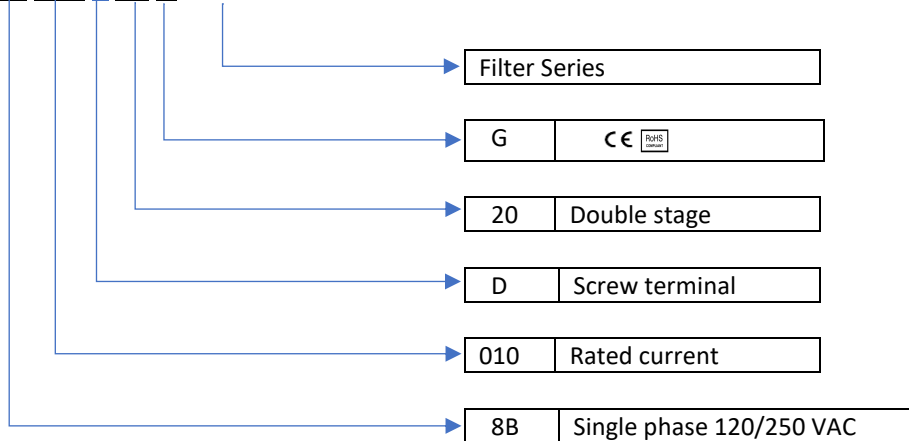


### Connection Type

Current Rating (A)	Screw terminal	Screw terminal	Earthing
10	For Input M4	For Output M3	M4 screw

### Syntax

**EF - 8B CCC X YY G - C20**



- To compile complete part number, replace the 'X' with required I/O connection terminal. (e.g. EF-8B010D20G-C20).
- Maximum leakage under usual AC operating conditions (acc. IEC 60939-3). Note: if the neutral line is interrupted, worst case leakage could reach twice this level.
- Customize products provided on request.



### EMI filter with feed through capacitor



### Technical specifications

Operating voltage	250/440 VAC
Current rating	10A
Frequency	50/60Hz
Voltage drop	1 Volt max.
High potential test voltage	L -> E 1500VAC
Insulation resistance	≥ 300 MΩ @ 500VDC (PN→E)
Operating temperature	40°c /-25°c +85°c

\*Image shown is for illustrative purpose only

### Features and benefits

- | Very low internal series inductance
- | Very high self-resonant frequency
- | Self-healing dielectric
- | High quality and reliability
- | Custom-specific or dual-versions on request
- | Cost effective solution
- | All filters provide high attenuation performance

### Attenuation Type

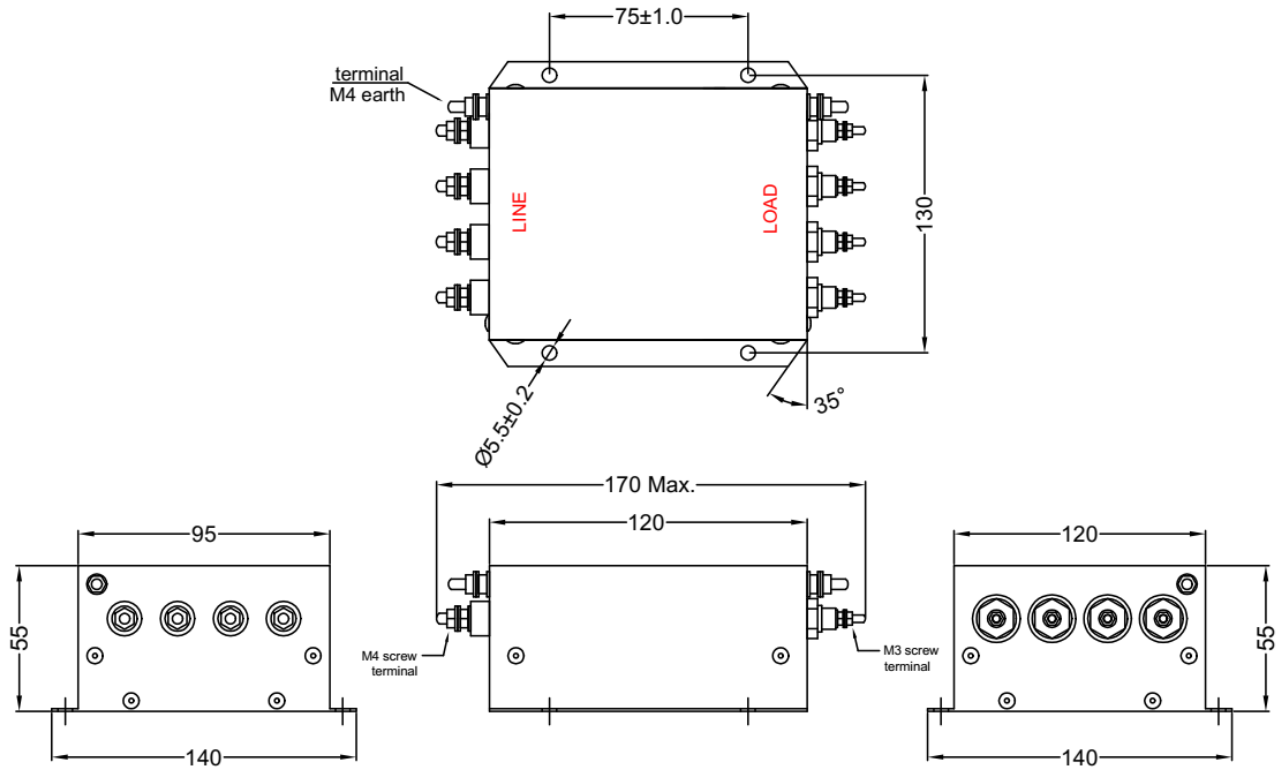
Triple stage **High**

### Applications

- | Power line filter
- | Medical equipment
- | Power supplies
- | Switching and cellular equipment
- | Computer servers
- | UPS power supplies
- | Medical equipment
- | Shielded rooms
- | Increasing system and information security
- | Radar applications
- | Electro mobility
- | VFD



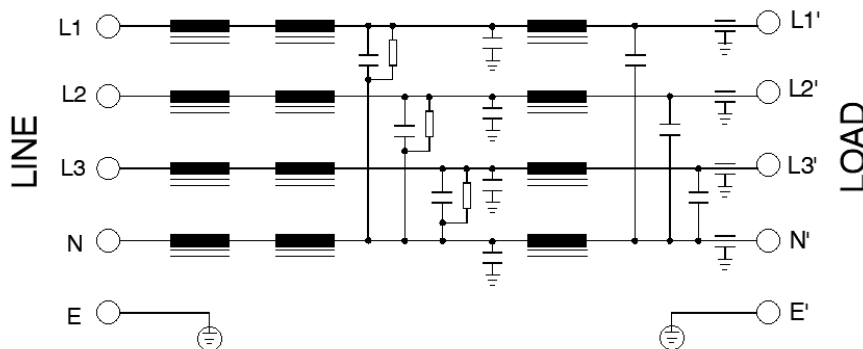
### Mechanical details



All dimensions in mm

### Electrical schematic

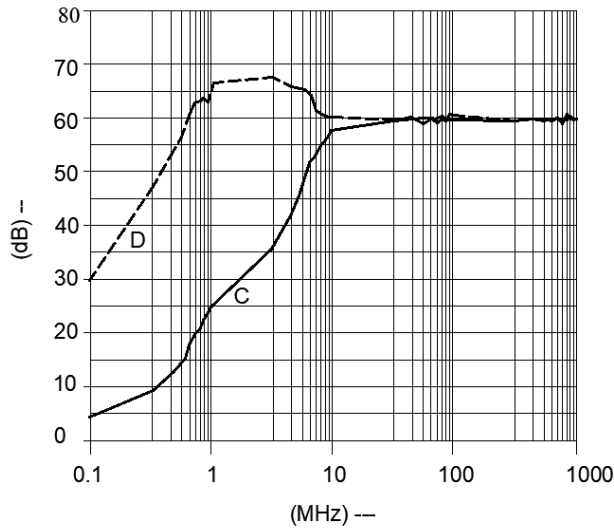
#### General purpose





### Filter attenuation Graph

C = Common mode (asymmetrical) ———  
 D = Differential mode (symmetrical) - - - - -

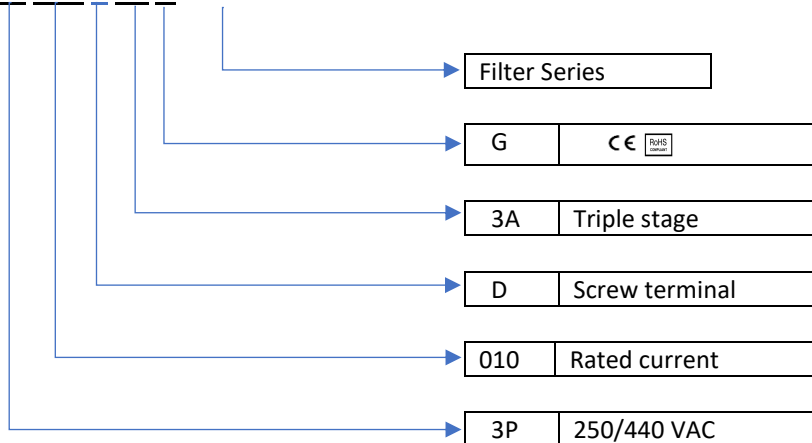


### Connection Type

Current Rating (A)	Screw terminal	Screw terminal	Earthing
10	For Input M4	For Output M3	M4 screw

### Syntax

**EF - 3P CCC X YY G - C95**



- To compile complete part number, replace the 'X' with required I/O connection terminal. (e.g. EF-3P010D3AG-C95).
- Maximum leakage under usual AC operating conditions (acc. IEC 60939-3). Note: if the neutral line is interrupted, worst case leakage could reach twice this level.
- Customize products provided on request.