



General Purpose AC power cord EMI Filter

El.italia EC-ED01 serie



Technical specifications

Operating voltage	120/250 VAC
Current rating	1A-10A
Frequency	50/60Hz
Voltage drop	1 Volt max.
High potential test voltage	P -> E 1500VAC P -> N 1414VDC (applicable for excluding surge suppressor filter)
Insulation resistance	≥ 300 MΩ @ 500VDC (PN→E)
Operating temperature	40°c /-25°c +85°c

*Image shown is for illustrative purpose only

Features and benefits

- | Filters available in single stage.
- | All filters provide high attenuation performance.
- | All filters compliance to EN60939-3:2015 & EN60939-2:2005 standards.
- | High reliable
- | Choice for selection of terminal/connector
- | Filters available in medical version without capacitor to earth.
- | General purpose filters with low leakage current for safety critical application.
- | With surge suppressor filters also available.

Attenuation Type

Single Stage

Standard

Applications

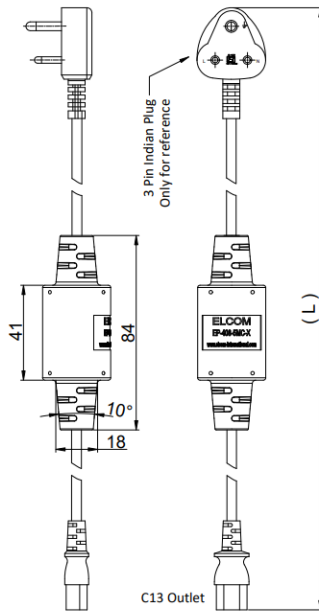
- | Consumer product
- | Medical equipment
- | Escalator/ Elevator
- | solar inverters
- | Instrumentation & Control Devices



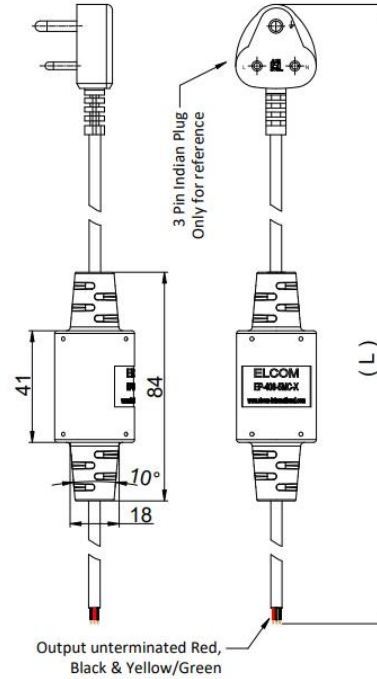
Mechanical details

El.italia EC-ED01 serie

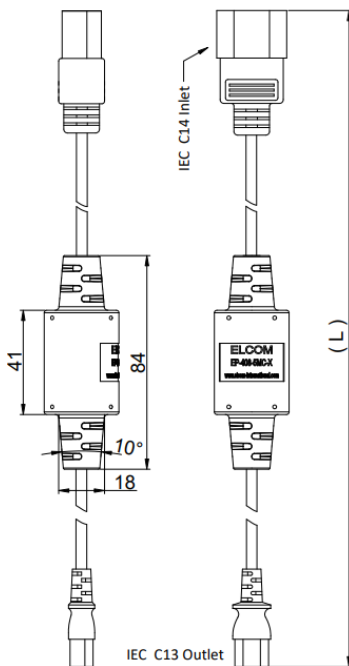
| Terminal type - K



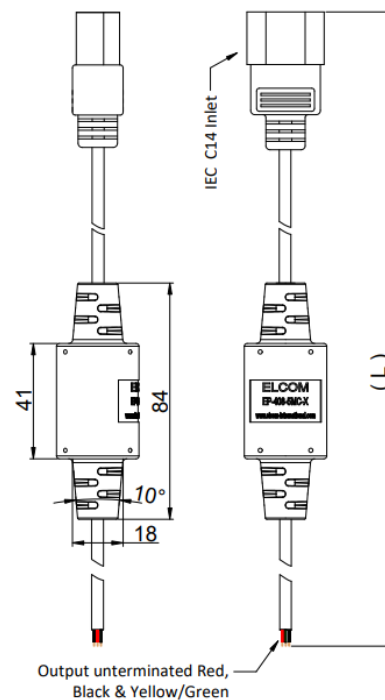
| Terminal type - L



| Terminal type - M

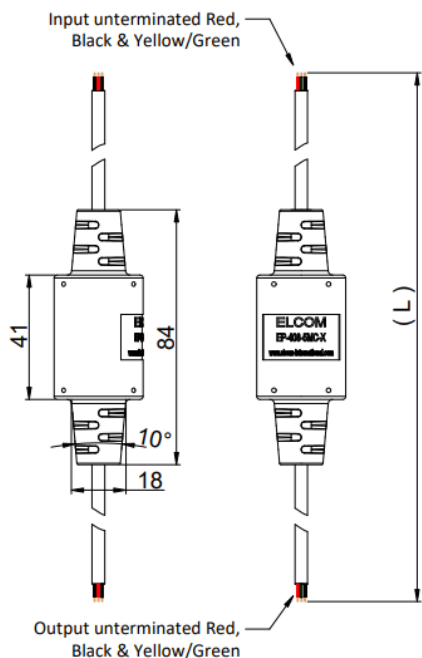


| Terminal type - N





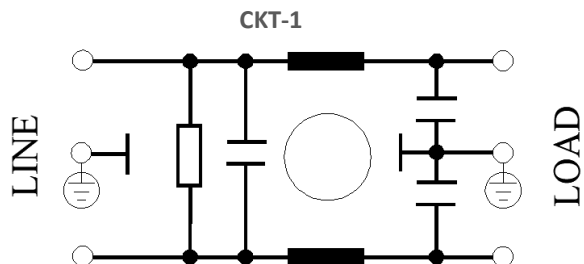
I Terminal type – Q



All dimensions in mm
General tolerance=±2%

Electrical schematic for Single Stage Filter

General purpose –





Filter attenuation Graph

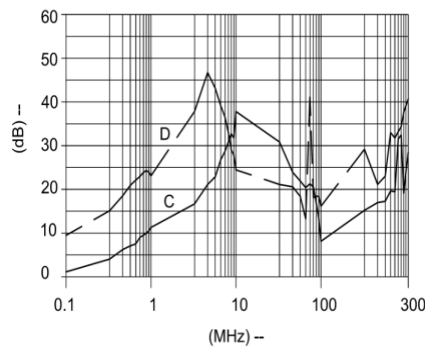
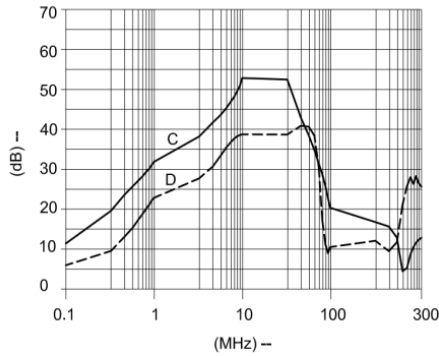
C = Common mode (asymmetrical) -----

D = Differential mode (symmetrical) - - - - -

For general application (Single Stage)

For 5A & 6A

For 10A



Filter Selection Table

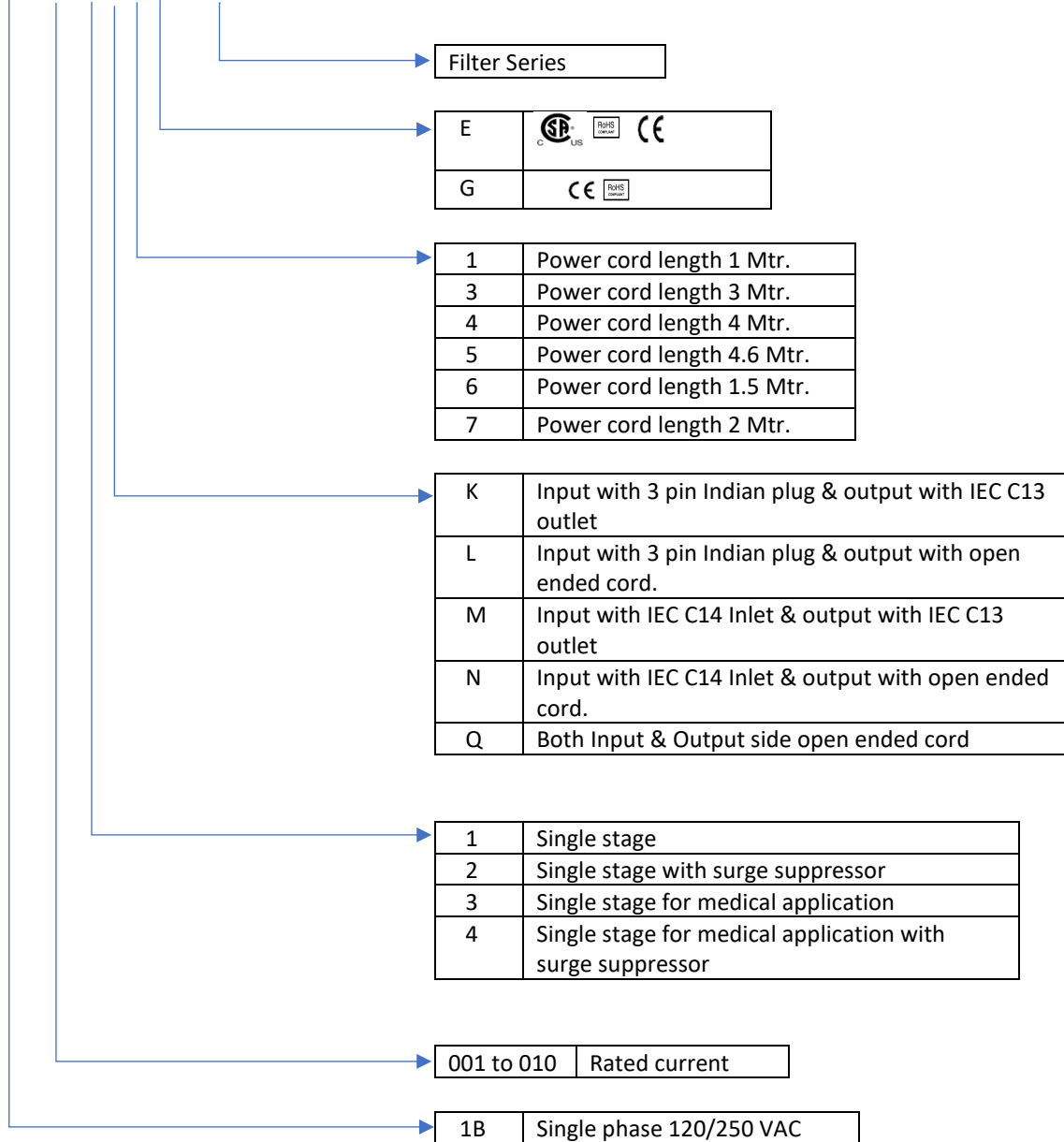
Sr. No.	Elcom part codes (ordering code)	Rated Current rating (A) @40°C	Leakage current (mA) @250VAC	Approx. Weight (gm)	Attenuation
1	EF-1B005X1YE-D01	5	< 0.5	150	Standard
2	EF-1B005X2YE-D01	5	< 0.5	150	Standard
3	EF-1B005X3YE-D01	5	< 0.5	150	Standard
4	EF-1B005X4YE-D01	5	< 0.5	150	Standard
5	EF-1B006X1YE-D01	6	< 0.5	150	Standard
6	EF-1B006X2YE-D01	6	< 0.5	150	Standard
7	EF-1B006X3YE-D01	6	< 0.5	150	Standard
8	EF-1B006X4YE-D01	6	< 0.5	150	Standard
9	EF-1B010X1YE-D01	10	< 0.5	150	Standard
10	EF-1B010X2YE-D01	10	< 0.5	150	Standard
11	EF-1B010X3YE-D01	10	< 0.5	150	Standard
12	EF-1B010X4YE-D01	10	< 0.5	150	Standard

- To compile complete part number, replace the 'X' and Y with required I/O connection terminal and power cord length respectively. (e.g. EF-1B005X17E-D01 – 5A, 2 Mtr. power cord filter with Input with 3 pin Indian plug & output with IEC C13 outlet)



Syntax

EF - 1B CCC X Y Y Z - D01



- Maximum leakage under usual AC operating conditions (acc. IEC 60939-3). Note: if the neutral line is interrupted, worst case leakage could reach twice this level.
- Customize products provided on request.