



General Purpose AC EMI Filter

El.italia EC-EA04 [3P4W] serie



Technical specifications

Operating voltage	250/440 VAC
Current rating	1A - 10A
Frequency	50/60Hz
Voltage drop	1 Volt max.
High potential test voltage	P -> E 1500VAC P -> N 2121VDC (applicable excluding surge suppressor filter)
Insulation resistance	≥ 300 MΩ @ 500VDC (PN→E)
Operating temperature	40°c /-25°c +85°c

*Image shown is for illustrative purpose only

Features and benefits

- | All filters provide high attenuation performance.
- | All filters compliance to EN60939-3:2015 & EN60939- 2:2005 standards.
- | Compact PCB-mountable design.
- | High reliable.
- | Plastic housing with good aesthetic.
- | Single stage.
- | Input and output connection through soldering pins.
- | Filters available in medical version without capacitor to earth.
- | With surge suppressor filters also available.
- | Cost effective solution.

Attenuation Type

Single Stage

Standard

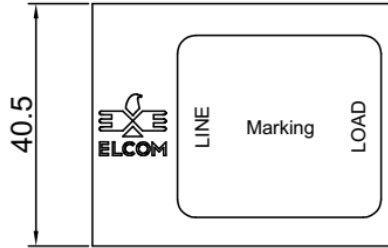
Application

- | Electrical and electronic equipment
- | SMPS
- | Test & measurement equipment
- | Small to medium-sized machines and household equipment
- | Office automation equipment

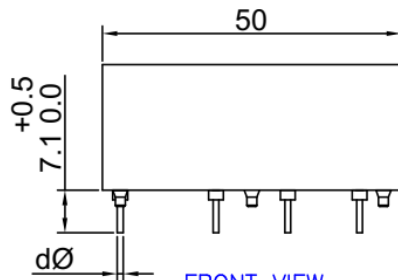


Mechanical details

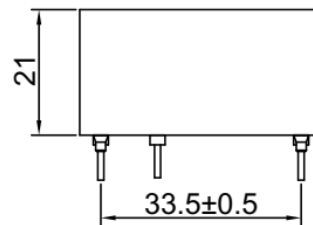
El.italia EC-EA04 [3P4W] serie



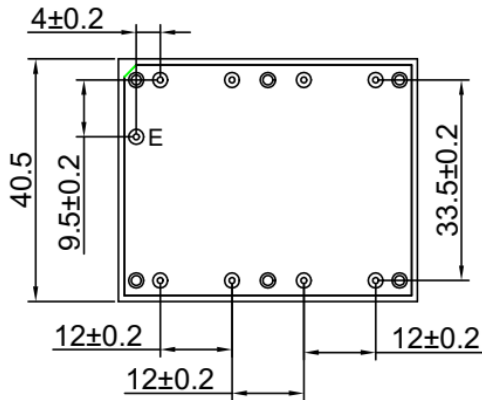
TOP VIEW



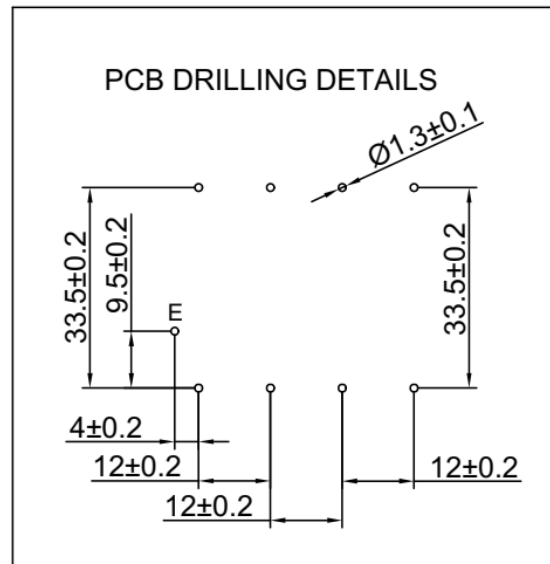
FRONT VIEW



RHS VIEW



BOTTOM VIEW



All dimensions in mm.
General tolerance=±1mm

Note: For medical application filter, earthing terminal is not provided.

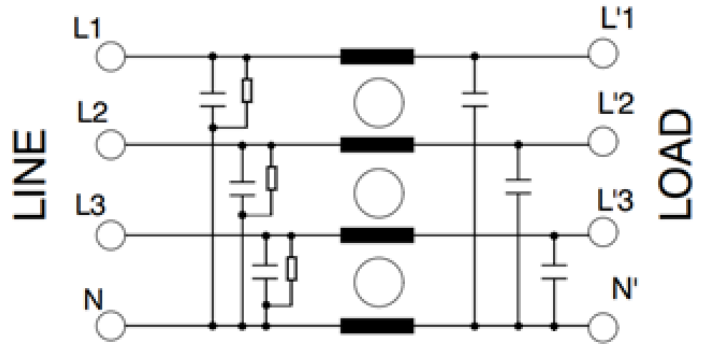
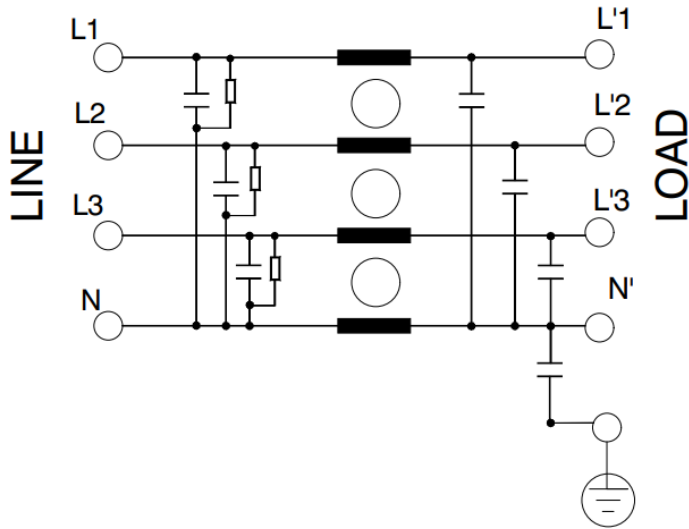


Electrical schematic for filter

El.italia EC-EA04 [3P4W] serie

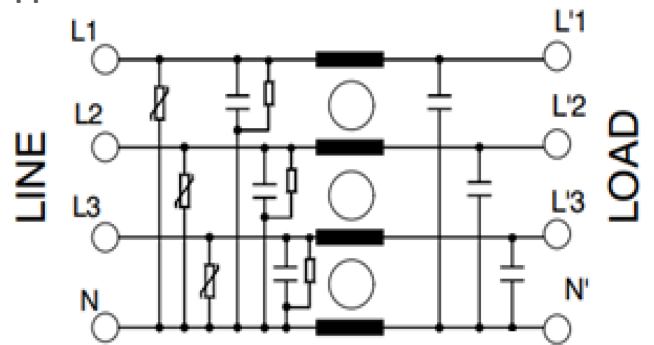
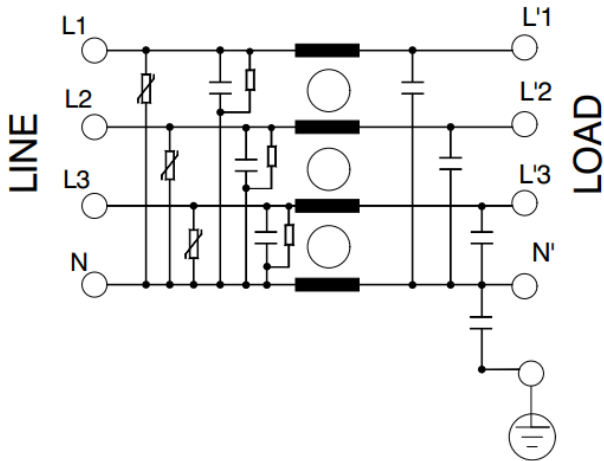
General purpose -

Medical equipment application -



General purpose with Surge Suppressor -

Medical equipment application with Surge Suppressor -





Filter attenuation graph

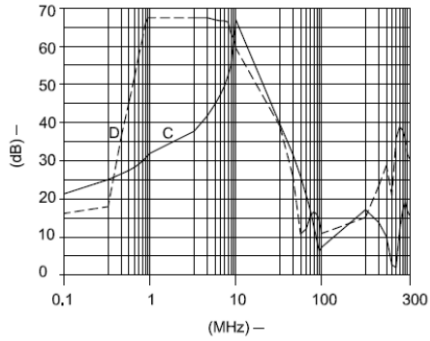
C = Common mode (asymmetrical) ———

D = Differential mode (symmetrical) - - - - -

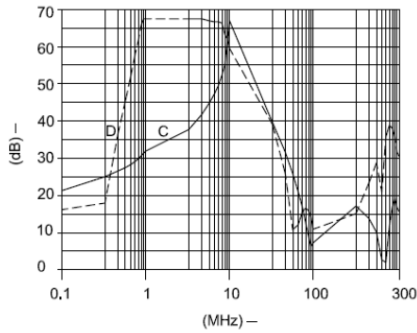
El.italia EC-EA04 [3P4W] serie

For general purpose

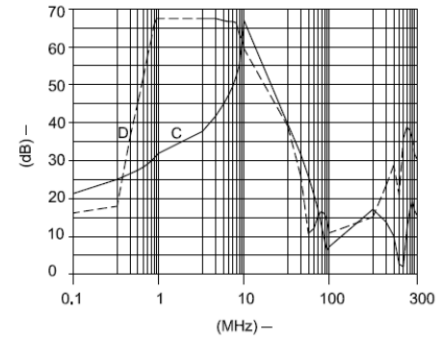
1 Amp



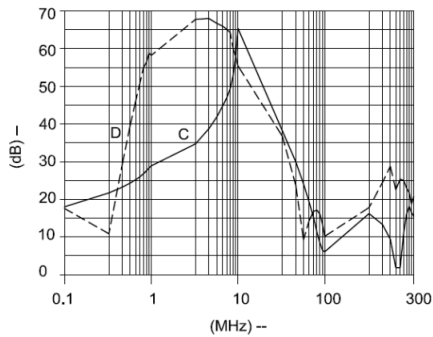
2 Amp



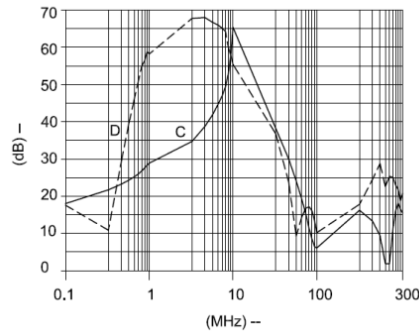
3 Amp



6 Amp



10 Amp





Filter Selection Table –

El.italia EC-EA04 [3P4W] serie

Sr. No.	Elcom part codes (ordering code)	Rated Current rating (A) @40°C	Leakage current (mA) @250VAC	Pin-type terminal ⊥	Max. Peak current (8/20 μ sec 1 time) (KA)	Energy surge rating (10/1000 μ sec) (Joules)	Approx. weight (gm)	Attenuation
1	EF-3P001A01E-A04	1	< 0.5	A	----	----	100	Standard
2	EF-3P001A02E-A04	1	< 0.5	A	6.5	175	100	Standard
3	EF-3P001A03E-A04	1	< 0.003	A	----	----	100	Standard
4	EF-3P001A04E-A04	1	< 0.003	A	6.5	175	100	Standard
5	EF-3P002A01E-A04	2	< 0.5	A	----	----	100	Standard
6	EF-3P002A02E-A04	2	< 0.5	A	6.5	175	100	Standard
7	EF-3P002A03E-A04	2	< 0.003	A	----	----	100	Standard
8	EF-3P002A04E-A04	2	< 0.003	A	6.5	175	100	Standard
9	EF-3P003A01E-A04	3	< 0.5	A	----	----	100	Standard
10	EF-3P003A02E-A04	3	< 0.5	A	6.5	175	100	Standard
11	EF-3P003A03E-A04	3	< 0.003	A	----	----	100	Standard
12	EF-3P003A04E-A04	3	< 0.003	A	6.5	175	100	Standard
13	EF-3P006A01E-A04	6	< 0.5	A	----	----	100	Standard
14	EF-3P006A02E-A04	6	< 0.5	A	6.5	175	100	Standard
15	EF-3P006A03E-A04	6	< 0.003	A	----	----	100	Standard
16	EF-3P006A04E-A04	6	< 0.003	A	6.5	175	100	Standard
17	EF-3P010A01E-A04	10	< 0.5	A	----	----	100	Standard
18	EF-3P010A02E-A04	10	< 0.5	A	6.5	175	100	Standard
19	EF-3P010A03E-A04	10	< 0.003	A	----	----	100	Standard
20	EF-3P010A04E-A04	10	< 0.003	A	6.5	175	100	Standard

- Customize products provided on request.
- Maximum leakage under usual AC operating conditions (acc. IEC 60939-3). Note: if the neutral line is interrupted, worst case leakage could reach twice this level.



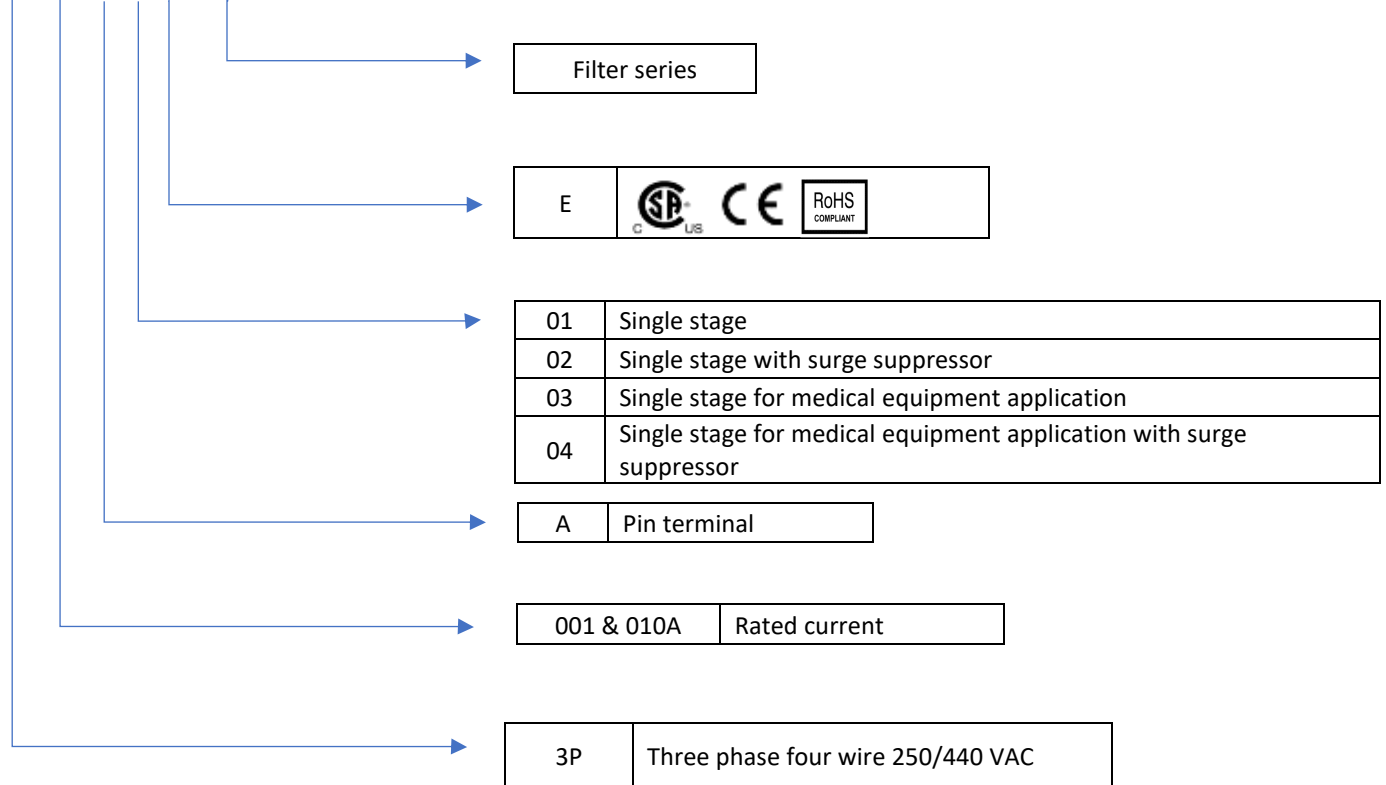
Connection Type

El.italia EC-EA04 [3P4W] serie

Current Rating (A)	Pin type terminal	Earthing
1,2,3,6,10 Amp	Solder pins	Solder pins

Syntax

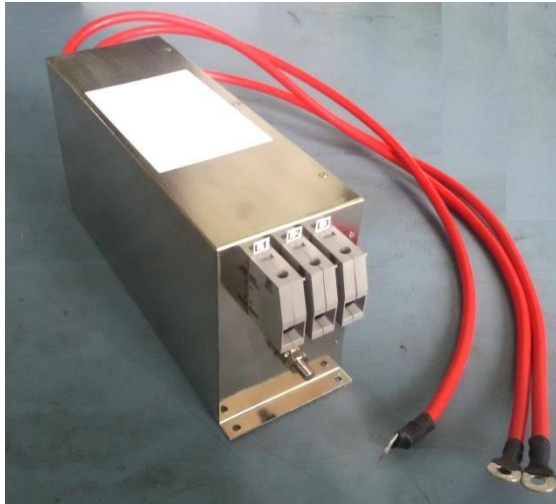
EF - 3P CCC A YY E - A04





High attenuation AC EMI Filter

El.italia EC-EC51 serie



Technical specifications

Operating voltage	440 VAC/480 VAC /520VAC
Current rating	100A-300A
Frequency	50/60Hz
Voltage drop	1 Volt max.
High potential test voltage	P -> E 1500VAC P -> P 2121VDC
Insulation resistance	≥ 300 MΩ @ 500VDC (PN→E)
Operating temperature	40°C /-25°C +85°C

*Image shown is for illustrative purpose only

Features and benefits

- | Filters available in single stage, double stage & triple stage.
- | All filters provide high attenuation performance.
- | Filters designed for noisy application requiring excellent filter performance.
- | All filters compliance to EN60939-3:2015 & EN60939-2:2005 standards.
- | High reliable
- | Easy and fast chassis mountable filter with compact size.
- | CRCA metal can with nickel plating provides good aesthetic and corrosion protection.
- | Various terminal options are available

Attenuation Type

Single Stage	Standard
Double Stage	High
Triple Stage	Very High

Applications

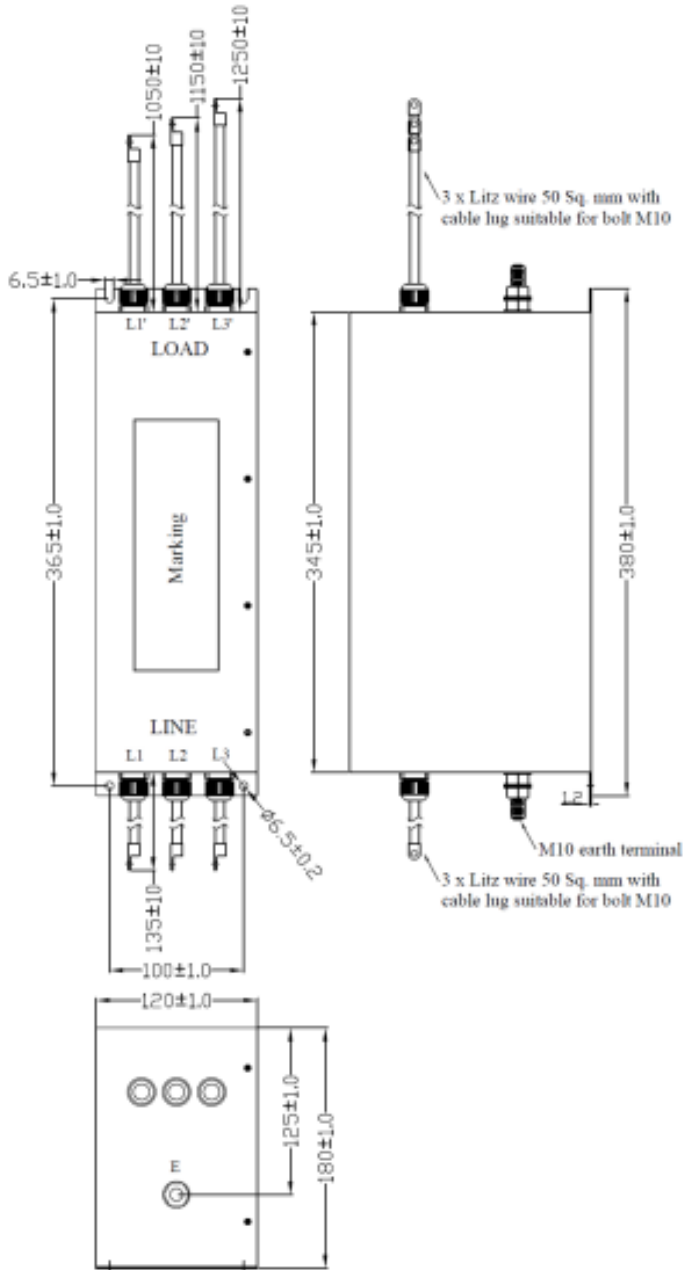
- | Consumer product
- | Defence application
- | Industrial application
- | Automotive application
- | Weighting Machines
- | Printing Machinery
- | Electrical equipment application
- | Office automation equipment



Mechanical details

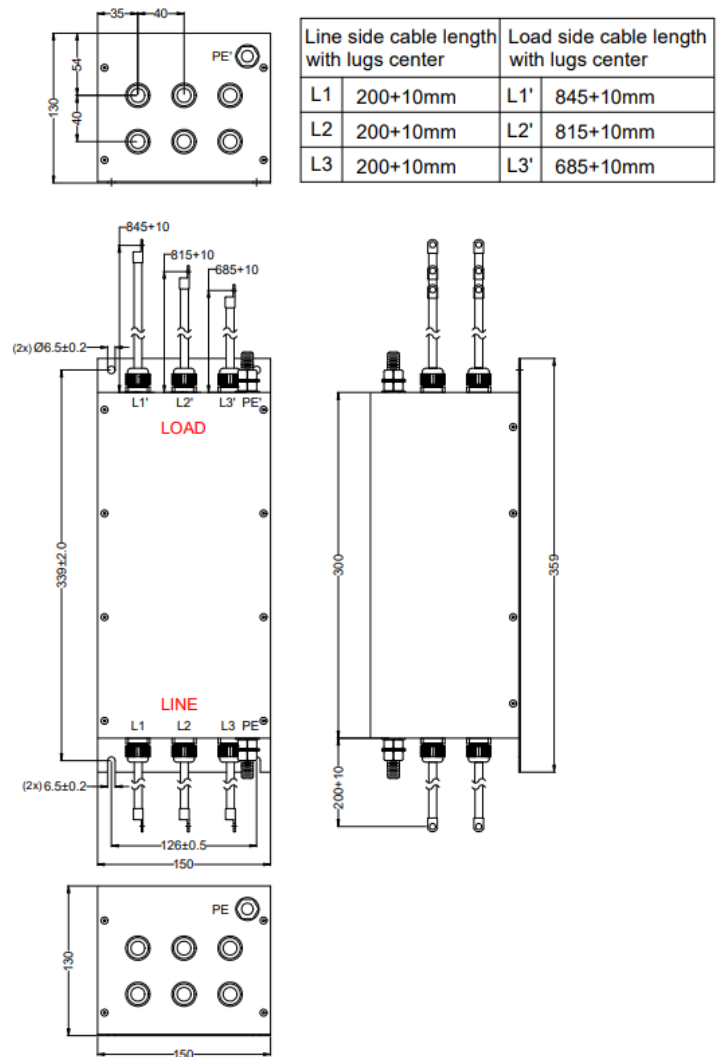
For wire lead terminal

For 140A



For wire lead terminal

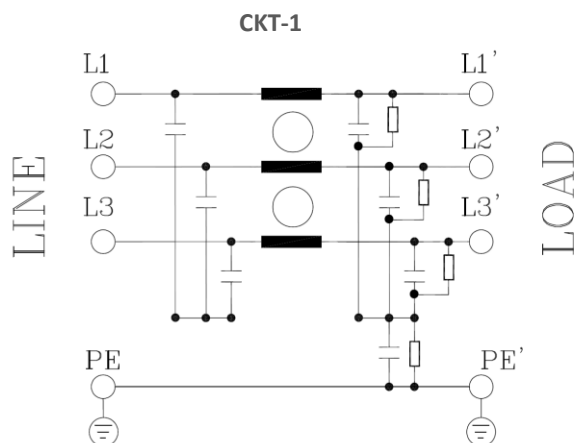
For 188A,222A,284A



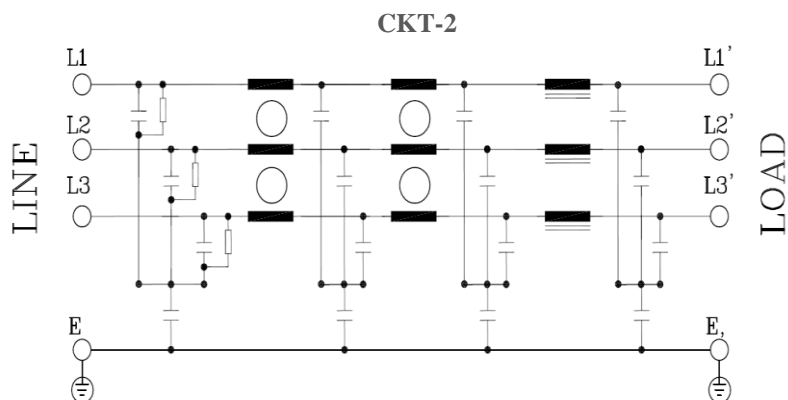


Electrical schematic for Single Stage Filter

El.italia EC-EC51 serie



Electrical schematic for Triple Stage Filter





El.italia EC-EC51 serie

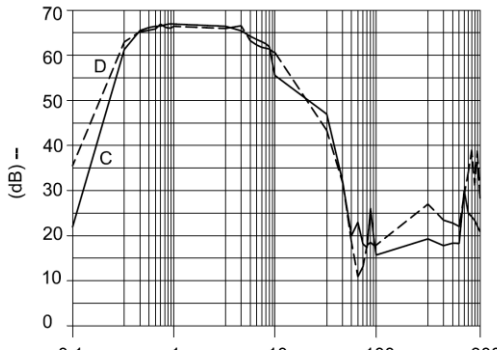
Filter attenuation Graph

C = Common mode (asymmetrical) —————

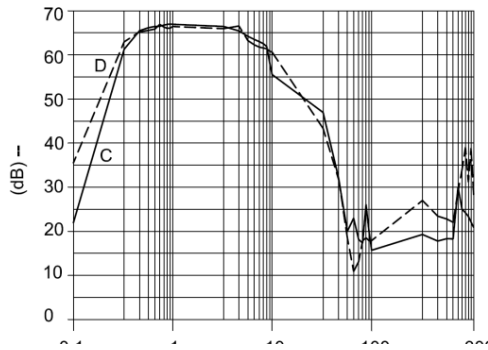
D = Differential mode (symmetrical) - - - - -

For Single Stage (CKT 1)

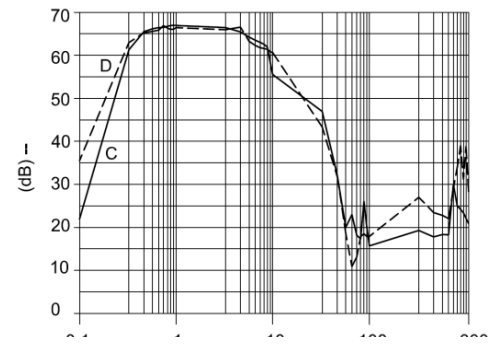
For 188A



For 222A

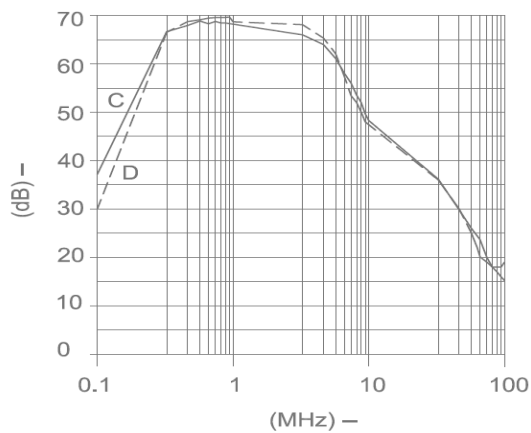


For 284A



For Triple Stage (CKT 2)



For 140A & 170A





Filter Selection Table

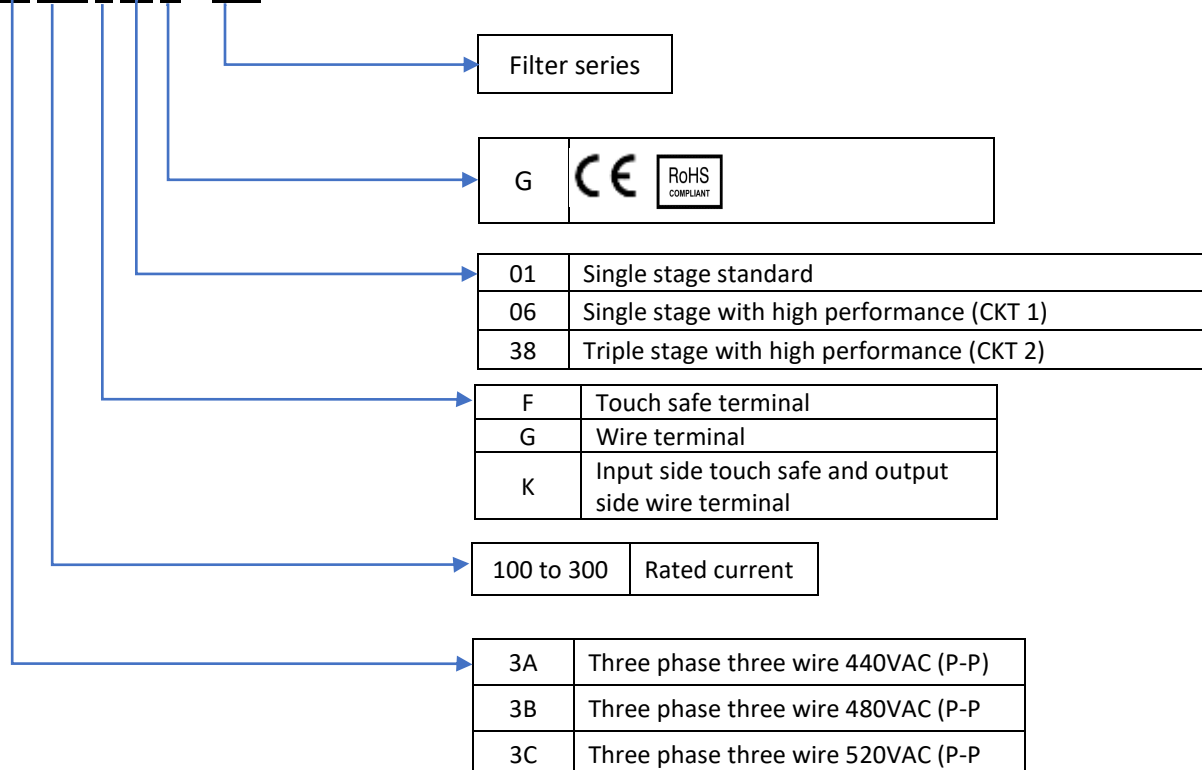
El.italia EC-EC51 serie

Sr. No.	Elcom part codes (ordering code)	Current rating (A)	Leakage current (mA) @440V AC	Terminals (X)		Weight (Kg)	Attenuation
				Wire 	Touch - safe 		
1	EF-3B140X38G-C51	140	< 6	G	F	8	Very High
2	EF-3B188X06G-C51	188	< 15	G	F	9	High
3	EF-3B222X06G-C51	222	< 15	G	F	9	High
3	EF-3B284X06G-C51	284	< 15	G		10	High

- To compile complete part number, replace the 'X' with required I/O connection terminal. (e.g. EF-3B140G38G-C51).
- Maximum leakage under usual AC operating conditions (acc. IEC 60939-3). Note: if the neutral line is interrupted, worst case leakage could reach twice this level.
- Customize products provided on request.

Syntax

EF - 3A CCC X YY G - C51



Datasheet | EC71 EP-355WN Series



General Purpose AC EMI Filter

El.italia EC-EC71 [EP-355WN] serie



Image shown is for illustrative purpose only

Technical specifications

Operating voltage	250VAC(P-N)/440VAC(P-P)
Current rating	3A-40A
Frequency	50/60Hz
Voltage drop	1 Volt max.
High potential test voltage	P -> E 1500VAC P -> N 2121VDC (applicable for excluding surge suppressor filter)
Insulation resistance	≥ 300 MΩ @ 500VDC (PN→E)
Operating temperature	40°c /-25°c +85°c

Features and benefits

- | Filters available in single stage
- | All filters provide high attenuation performance.
- | All filters compliance to EN60939-3:2015 & EN60939-2:2005 standards.
- | High reliable
- | Chassis mountable filter in fabricated metal can.
- | CRCA metal can with nickel plating provides good aesthetic and corrosion protection.
- | General purpose filters with low leakage current for safety critical application.
- | With surge suppressor filters also available.
- | Various terminal options are available.

Attenuation Type

Single Stage

Standard

Application

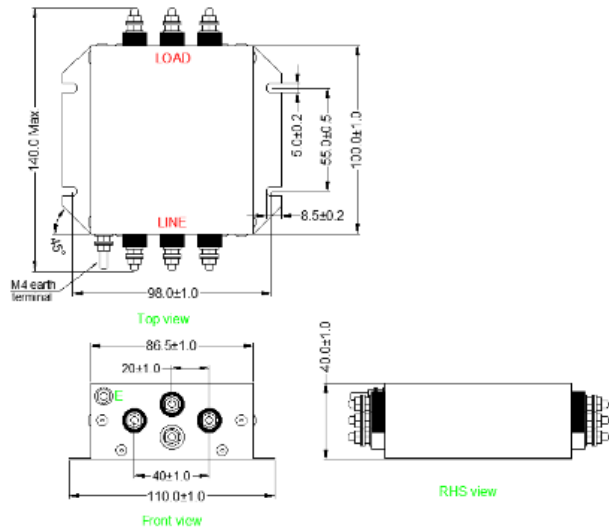
- | Defence application
- | Industrial application
- | UPS
- | Inverters and converters
- | Electrical equipment application
- | Laser cutting tools
- | Test and measurement instruments

Datasheet | EC71 EP-355WN Series



Mechanical details

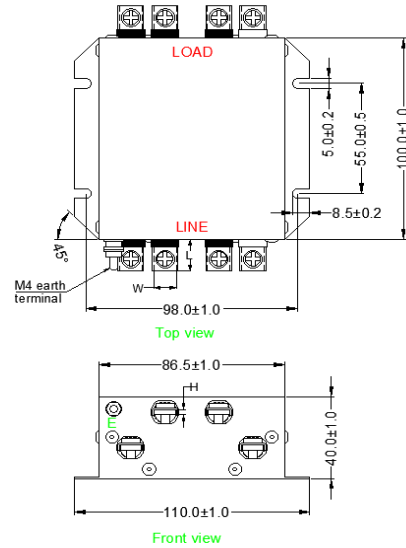
| For screw terminal



All dimensions in mm

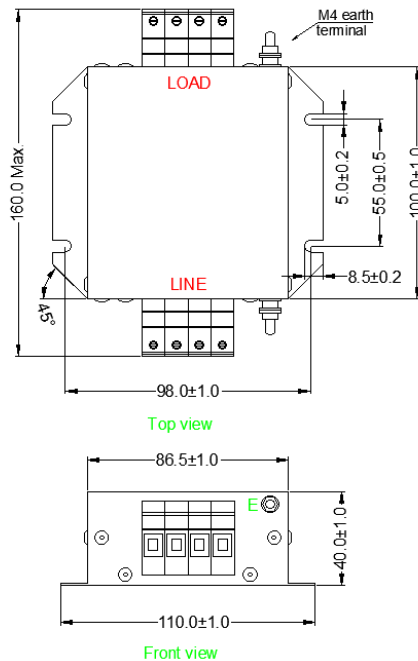
El.italia EC-EC71 [EP-355WN] serie

| For bus-bar terminal



All dimensions in mm

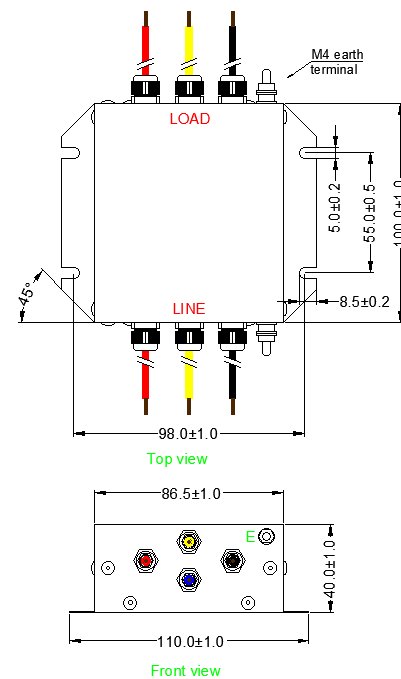
| For touch safe terminal



All dimensions in mm

-Over 40A current rating touch will be unstackable

| For wire terminal



All dimensions in mm



*Note-General tolerance =±2%

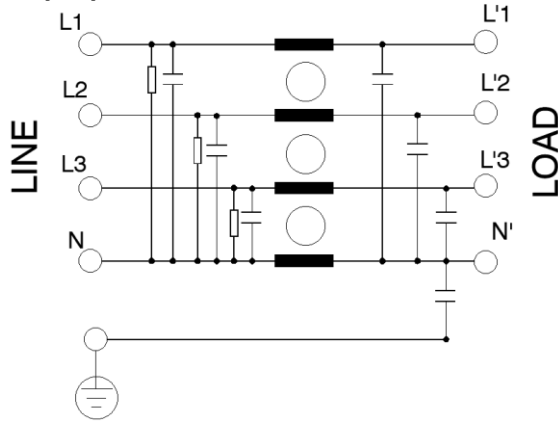
EL.ITALIA SRL



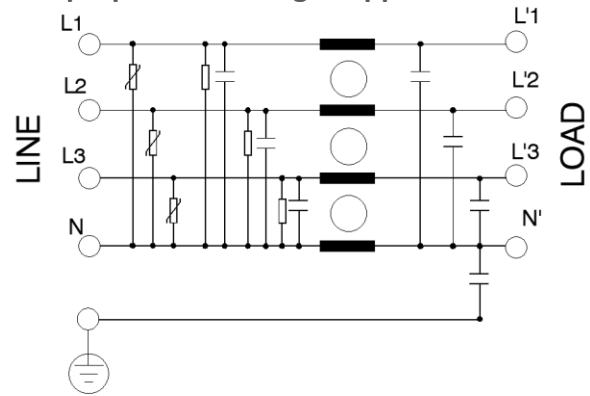
El.italia EC-EC71 [EP-355WN] serie

Electrical schematic for Single Stage Filter

General purpose -



General purpose with Surge Suppressor -



*Note - For Touch safe/Wire/Busbar terminal, earthing terminal provided on both sides.

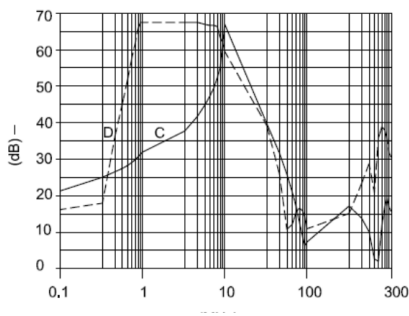
Filter attenuation Graph

C = Common mode (asymmetrical) —————

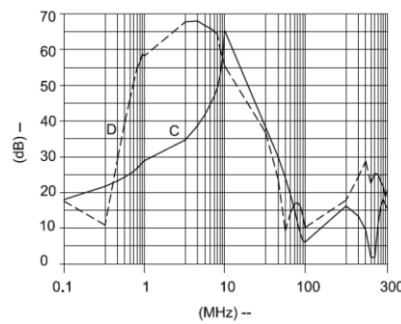
D = Differential mode (symmetrical) - - - - -

For general application (Single Stage)

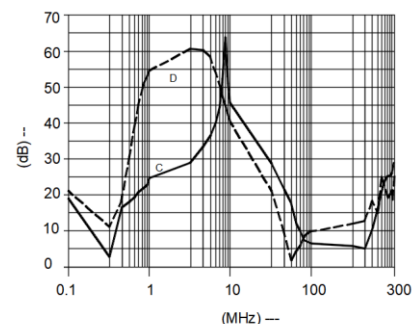
For 3A



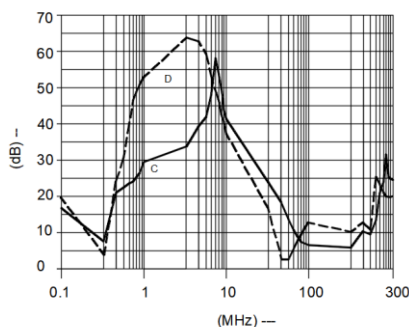
For 6A



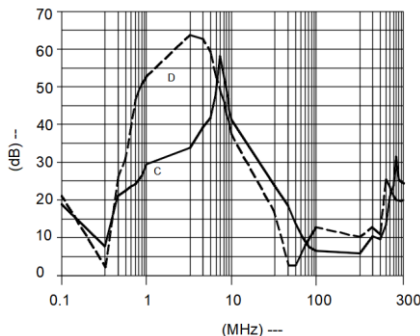
For 10A



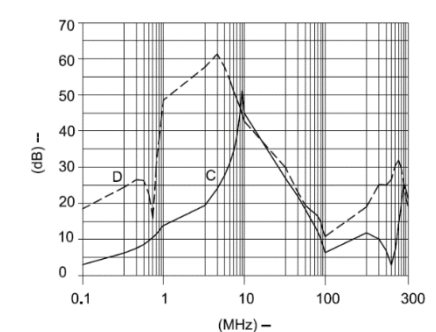
For 15A



For 20A

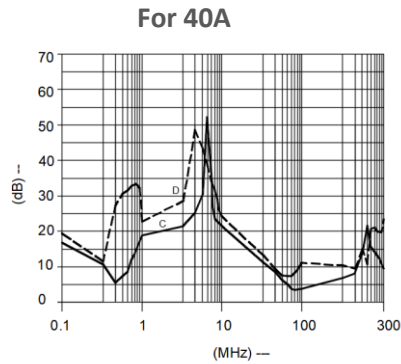
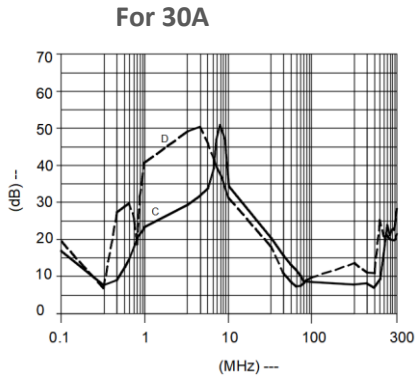


For 25A





El.italia EC-EC71 [EP-355WN] serie



Filter Selection Table

Sr. No.	Elcom part codes (ordering code)	Rated Current rating (A) @40°C	Leakage current (mA) @250VAC	Terminals (X)				Max. Peak current (8/20 μ sec 1 time) (KA)	Energy surge rating (10/1000 μ sec) (Joules)	Weight (gm)	Attenuation
				Screw	Bus bar	Touch -safe	Wire				
1	EF-3P003X01E-C71	3	< 0.5	D	E	F	G	----	----	500	Standard
2	EF-3P003X02E-C71	3	< 0.5	D	E	F	G	6.5	175	500	Standard
3	EF-3P006X01E-C71	6	< 0.5	D	E	F	G	----	----	500	Standard
4	EF-3P006X02E-C71	6	< 0.5	D	E	F	G	6.5	175	500	Standard
5	EF-3P010X01E-C71	10	< 0.5	D	E	F	G	----	----	500	Standard
6	EF-3P010X02E-C71	10	< 0.5	D	E	F	G	6.5	175	500	Standard
7	EF-3P015X01E-C71	15	< 1.0	D	E	F	G	----	----	500	Standard
8	EF-3P015X02E-C71	15	< 1.0	D	E	F	G	10	350	500	Standard
9	EF-3P020X01E-C71	20	< 1.0	D	E	F	G	----	----	500	Standard
10	EF-3P020X02E-C71	20	< 1.0	D	E	F	G	10	350	500	Standard
11	EF-3P025X01E-C71	25	< 1.0	D	E	F	G	----	----	500	Standard
12	EF-3P025X02E-C71	25	< 1.0	D	E	F	G	10	350	500	Standard
13	EF-3P030X01E-C71	30	< 1.0	D	E	F	G	----	----	500	Standard
14	EF-3P030X02E-C71	30	< 1.0	D	E	F	G	10	350	500	Standard
15	EF-3P040X01E-C71	40	< 1.0	D	E	F	G	----	----	500	Standard
16	EF-3P040X02E-C71	40	< 1.0	D	E	F	G	10	350	500	Standard

Datasheet | EC71

EP-355WN Series



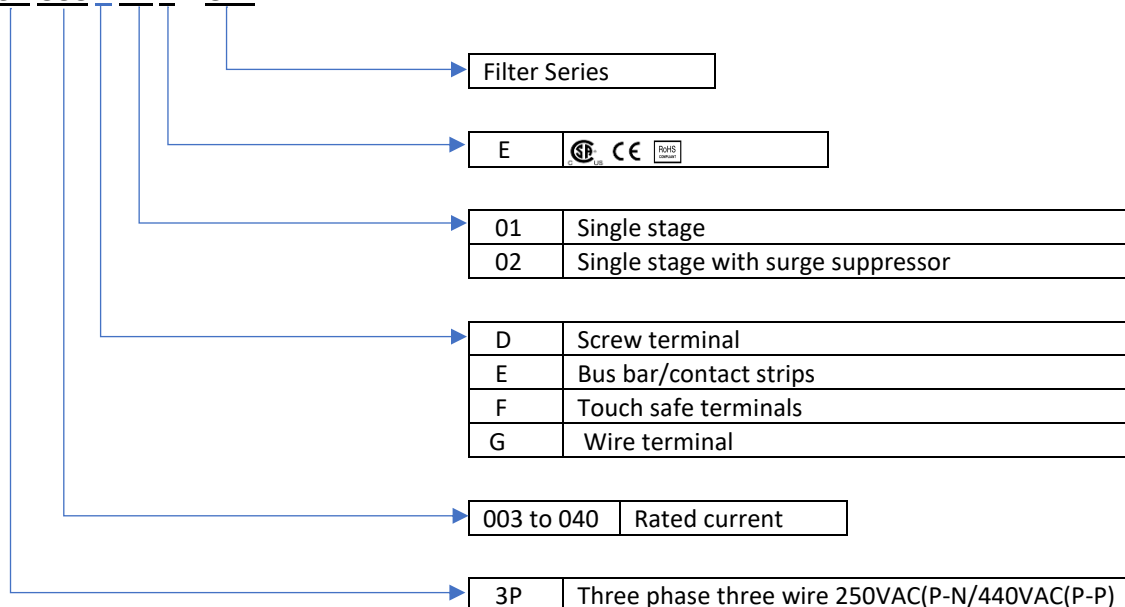
- To compile complete part number, replace the 'X' with required I/O connection terminal. (e.g. EF-3P010D01E-C71)
- Recommended tightening torque for touch safe – for 6 sqmm. – 10.6-13 lbf.in., and for screw terminal-M4 tightening torque 12 Kgcm max.
- Maximum leakage under usual AC operating conditions (acc. IEC 60939-3). Note: if the neutral line is interrupted, worst case leakage could reach twice this level.
- Customize products provided on request.

Connection Type

Current Rating (A)	Screw terminal	Bus bar (LxWxH) & connection screw terminal	Touch safe	Wire terminal(AWG)	Earthing
3	M4	12x10x2.5 & M4	6 Sq.mm	18AWG	M4
6	M4	12x10x2.5 & M4	6 Sq.mm	18AWG	M4
10	M4	12x10x2.5 & M4	6 Sq.mm	14AWG	M4
15	M4	12x10x2.5 & M4	6 Sq.mm	14AWG	M4
20	M4	12x10x2.5 & M4	6 Sq.mm	12AWG	M4
25	M4	12x10x2.5 & M4	6 Sq.mm	10AWG	M4
30	M4	12x10x2.5 & M4	6 Sq.mm	10AWG	M4
40	M4	12x10x2.5 & M4	6 Sq.mm	8 AWG	M4

Syntax

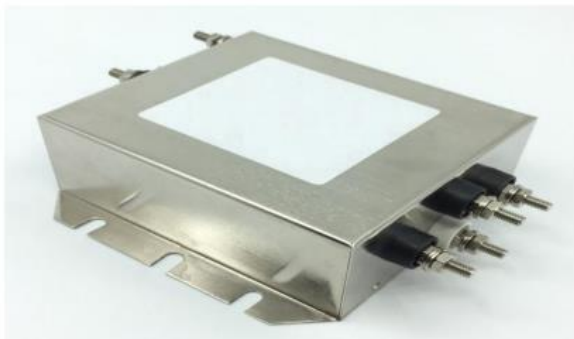
EF - 3P CCC X YY E - C71





High attenuation AC EMI Filter

El.italia EC-EC72 serie



Technical specifications

Operating voltage	250VAC(P-N)/440VAC (P-P)
Current rating	1A-40A
Frequency	50/60Hz
Voltage drop	1 Volt max.
High potential test voltage	P -> E 1500VAC
Insulation resistance	≥ 300 MΩ @ 500VDC (PN→E)
Operating temperature	40°C /-25°C +85°C

*Image shown is for illustrative purpose only

Features and benefits

- | Filters available in double stage
- | All filters provide high attenuation performance.
- | Two stage filters designed for noisy application requiring excellent filter performance.
- | All filters compliance to EN60939-3:2015 & EN60939-2:2005 standards.
- | High reliable
- | Easy and fast chassis mountable filter with compact size.
- | CRCA metal can with nickel plating provides good aesthetic and corrosion protection.
- | With surge suppressor filters also available.
- | Various terminal options are available

Attenuation Type

Double Stage

High

Applications

- | Consumer product
- | Defence application
- | Medical equipment
- | Industrial application
- | Automotive application
- | Weighting Machines
- | Printing Machinery
- | Electrical equipment application
- | Office automation equipment

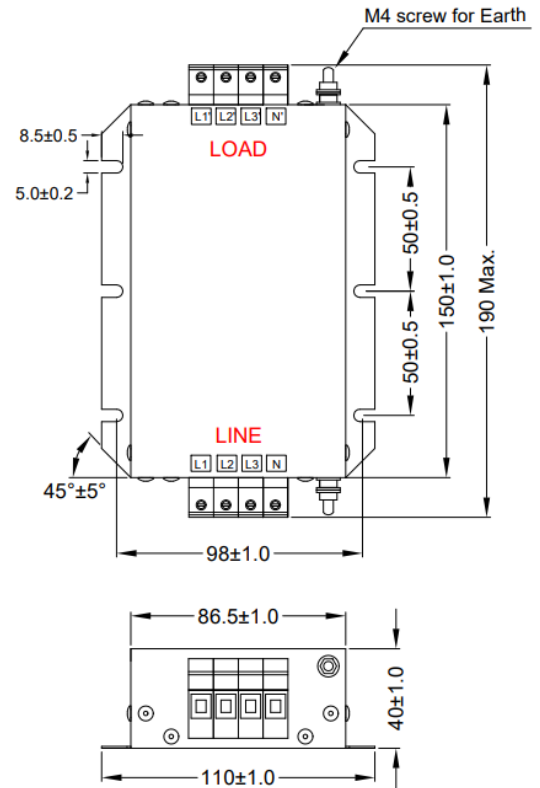
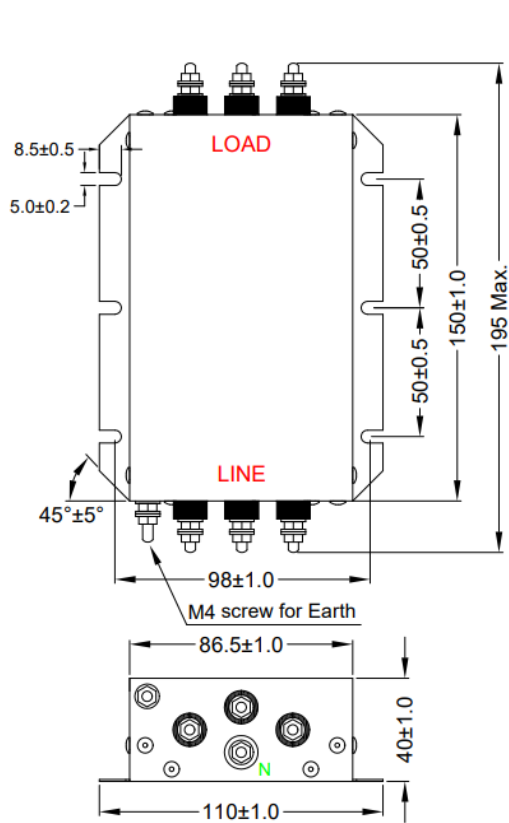


Mechanical details

El.italia EC-EC72 serie

For screw terminal

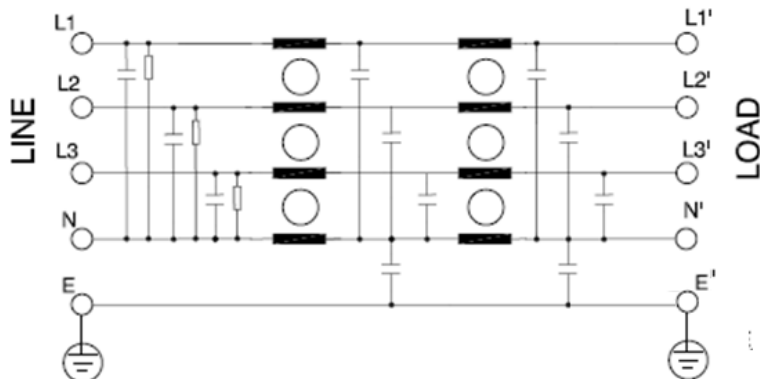
For touch safe terminal



All dimensions in mm
General tolerance=±2mm

Electrical schematic for Double Stage Filter

CKT-1





Filter attenuation Graph

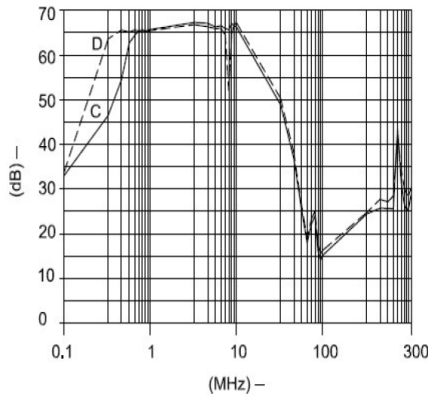
C = Common mode (asymmetrical) —————

El.italia EC-EC72 serie

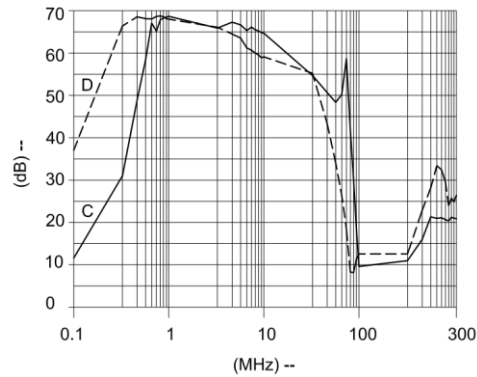
D = Differential mode (symmetrical) - - - - -

For Double Stage (CKT 1)

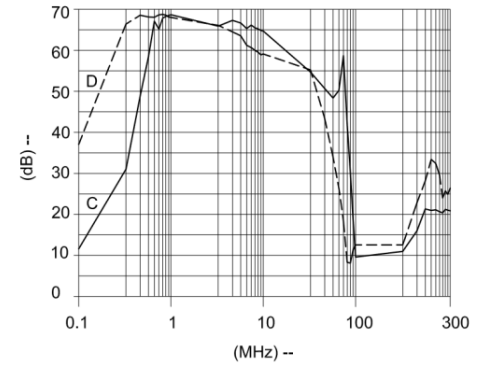
For 15A



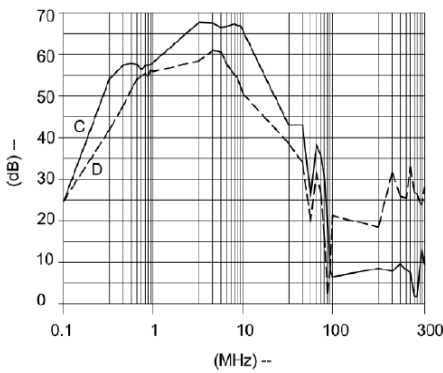
For 20A





For 25A



For 40A



Filter Selection Table

Sr. No.	Elcom part codes (ordering code)	Rated Current rating (A) @40°C	Leakage current (mA) @440VAC	Terminals (X)		Approx. Weight (Kg)	Attenuation
				Screw 	Touch safe 		
1	EF-3P015X20G-C72	15	< 3.5	D	F	1.2	High
2	EF-3P020X20G-C72	20	< 3.5	D	F	1.2	High
3	EF-3P025X20G-C72	25	< 3.5	D	F	1.2	High
4	EF-3P040X20G-C72	40	< 3.5	D	F	1.2	High



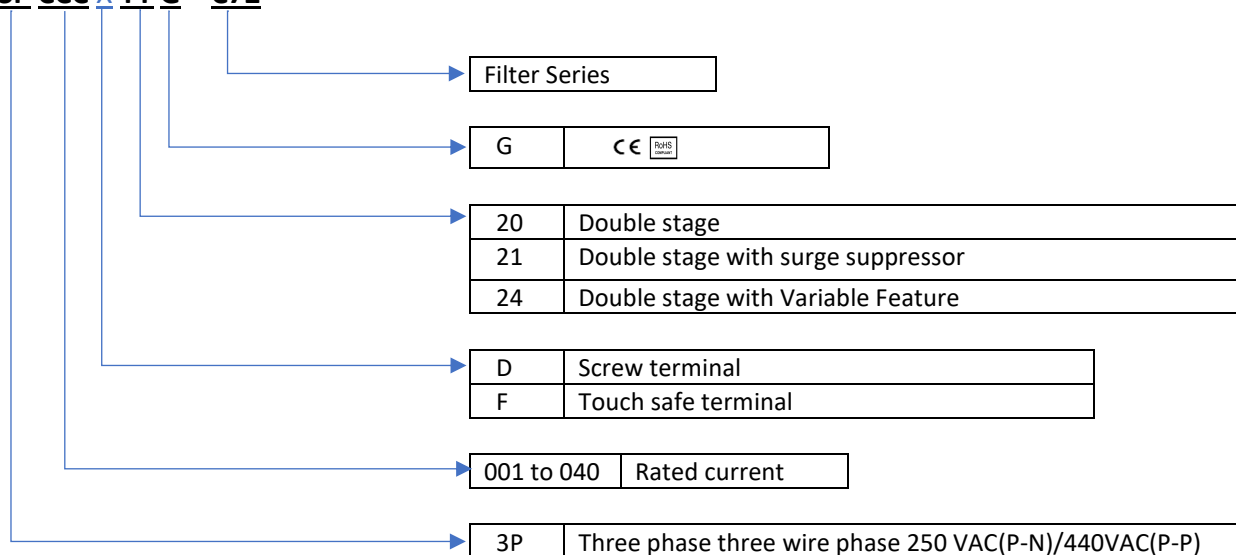
El.italia EC-EC72 serie

Connection Type

Current Rating (A)	Screw terminal details		Touch safe terminal details		Earthing screw terminal
	Screw	Recommended tightening torque	Touch safe	Recommended tightening torque	
15	M4	12kgcm max	6 Sq.mm	10.6-13 lbf.in	M4
20	M4	12kgcm max	6 Sq.mm	10.6-13 lbf.in	M4
25	M4	12kgcm max	6 Sq.mm	10.6-13 lbf.in	M4
30	M4	12kgcm max	6 Sq.mm	10.6-13 lbf.in	M4
40	M4	12kgcm max	6 Sq.mm	10.6-13 lbf.in	M4

Syntax

EF - 3P CCC X YY G - C72



- To compile complete part number, replace the 'X' with required I/O connection terminal. (e.g. EF-3P020D20G-C72)
- Maximum leakage under usual AC operating conditions (acc. IEC 60939-3). Note: if the neutral line is interrupted, worst case leakage could reach twice this level.
- Customize products provided on request.

Datasheet | EC74 EP-355WN Series



General Purpose AC EMI Filter

El.italia EC-EC74 [EP-355WN] serie



Image shown is for illustrative purpose only

Technical specifications

Operating voltage	250VAC(P-N)/440VAC(P-P)
Current rating	50A-80A
Frequency	50/60Hz
Voltage drop	1 Volt max.
High potential test voltage	P -> E 1500VAC P -> N 2121VDC (applicable for excluding surge suppressor filter)
Insulation resistance	≥ 300 MΩ @ 500VDC (PN→E)
Operating temperature	40°C / -25°C +85°C

Features and benefits

- | Filters available in single stage
- | All filters provide high attenuation performance.
- | All filters compliance to EN60939-3:2015 & EN60939-2:2005 standards.
- | High reliable
- | Chassis mountable filter in fabricated metal can.
- | CRCA metal can with nickel plating provides good aesthetic and corrosion protection.
- | General purpose filters with low leakage current for safety critical application.
- | With surge suppressor filters also available.
- | Various terminal options are available.

Attenuation Type

Single Stage

Standard

Application

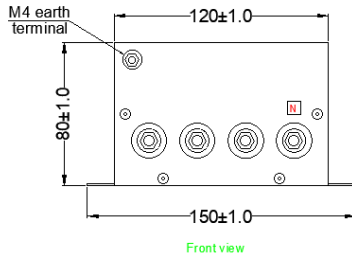
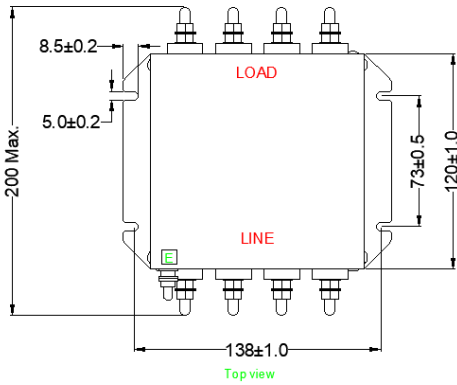
- | Defence application
- | Industrial application
- | UPS
- | Inverters and converters
- | Electrical equipment application
- | Laser cutting tools
- | Test and measurement instruments



El.italia EC-EC74 [EP-355WN] serie

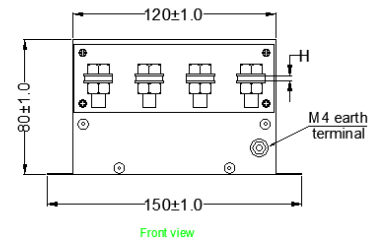
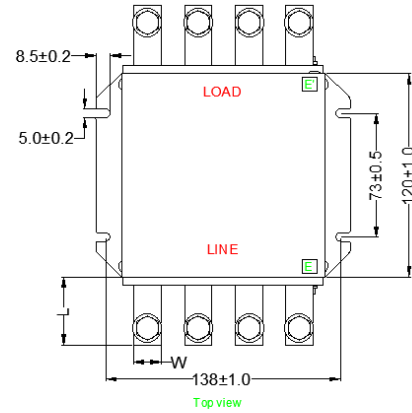
Mechanical details

| For screw terminal



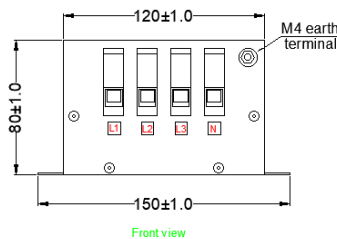
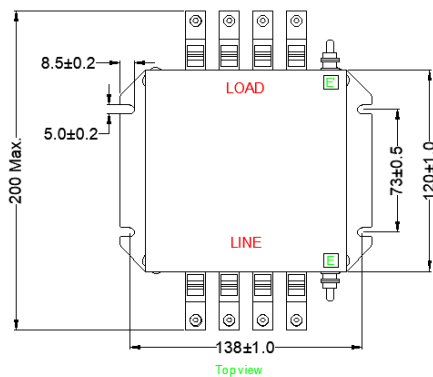
All dimensions in mm

| For bus-bar terminal



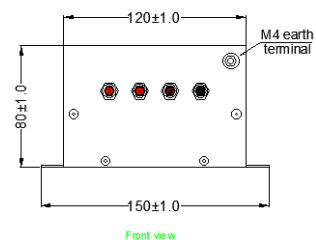
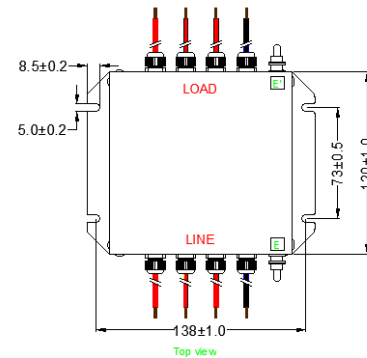
All dimensions in mm

| For touch safe terminal



All dimensions in mm

| For wire lead terminal



All dimensions in mm



*Note-General tolerance = ±2%

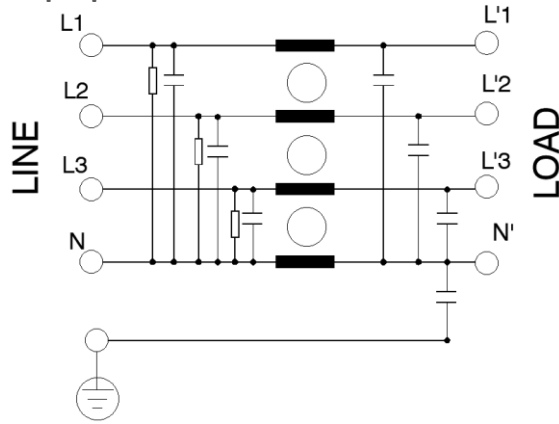
EL.ITALIA SRL



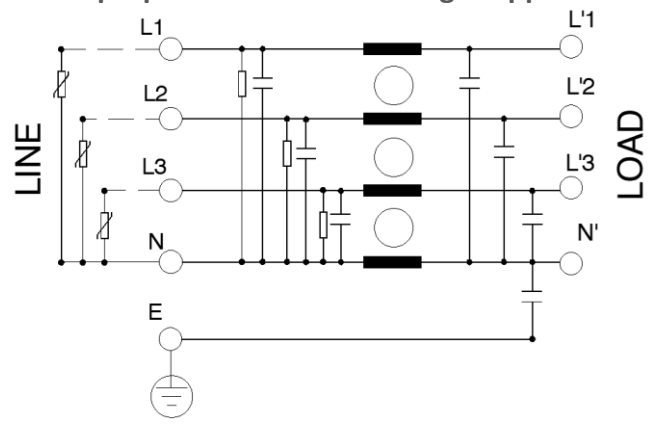
El.italia EC-EC74 [EP-355WN] serie

Electrical schematic for Single Stage Filter

General purpose -



General purpose with external surge suppressor -



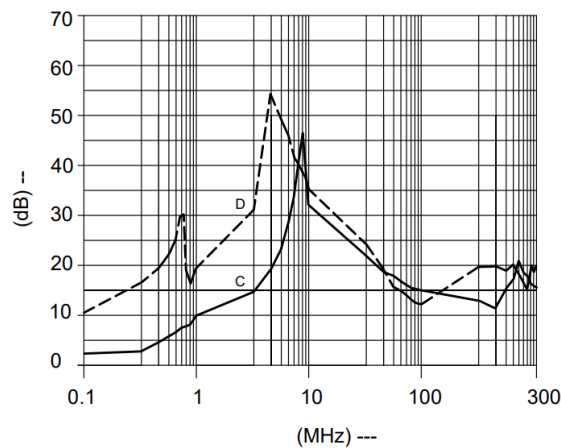
Filter attenuation Graph

C = Common mode (asymmetrical) —————

D = Differential mode (symmetrical) - - - - -

For general application (Single Stage)

For 50A-80A







Datasheet | EC74

EP-355WN Series



Filter Selection Table

El.italia EC-EC74 [EP-355WN] serie

Sr. No.	Elcom part codes (ordering code)	Rated Current rating (A) @40°C	Leakage current (mA) @250VAC	Terminals (X)				Max. Peak current (8/20 μ sec 1 time) (KA)	Energy surge rating (10/1000 μ sec) (Joules)	Weight (Kg)	Attenuation
				Screw 	Bus bar 	Touch-safe 	Wire lead 				
1	EF-3P050X01E-C74	50	< 1.0	D	E	F	G	----	----	2.5	Standard
2	EF-3P050X12E-C74	50	< 1.0	D	E	F	G	10	350	2.5	Standard
3	EF-3P060X01E-C74	60	< 1.0	D	E	F	G	----	----	2.5	Standard
4	EF-3P060X12E-C74	60	< 1.0	D	E	F	G	10	350	2.5	Standard
5	EF-3P080X01E-C74	80	< 1.0	D	E	F	G	----	----	2.5	Standard
6	EF-3P080X12E-C74	80	< 1.0	D	E	F	G	10	350	2.5	Standard

- To compile complete part number, replace the 'X' with required I/O connection terminal. (e.g. EF-3P050D01E-C74)
- Recommended tightening torque for touch safe – For 16 sqmm- 22-25 lbf.in and for screw terminal tightening torque-for M6 is 20-25Kgcm, for M8 is 25-30 Kgcm
- Maximum leakage under usual AC operating conditions (acc. IEC 60939-3). Note: if the neutral line is interrupted, worst case leakage could reach twice this level.
- Customize products provided on request.

Connection Type

Current Rating (A)	Screw terminal	Bus bar (LxWxH) & connection screw terminal	Touch safe	Wire terminal (AWG)	Earthing
50	M6	40x16x3 & M8	16 Sq.mm	8AWG	M4
60	M6	40x16x3 & M8	16 Sq.mm	6AWG	M4
80	M8	40x16x3 & M8	16 Sq.mm	6AWG	M4

Datasheet | EC74

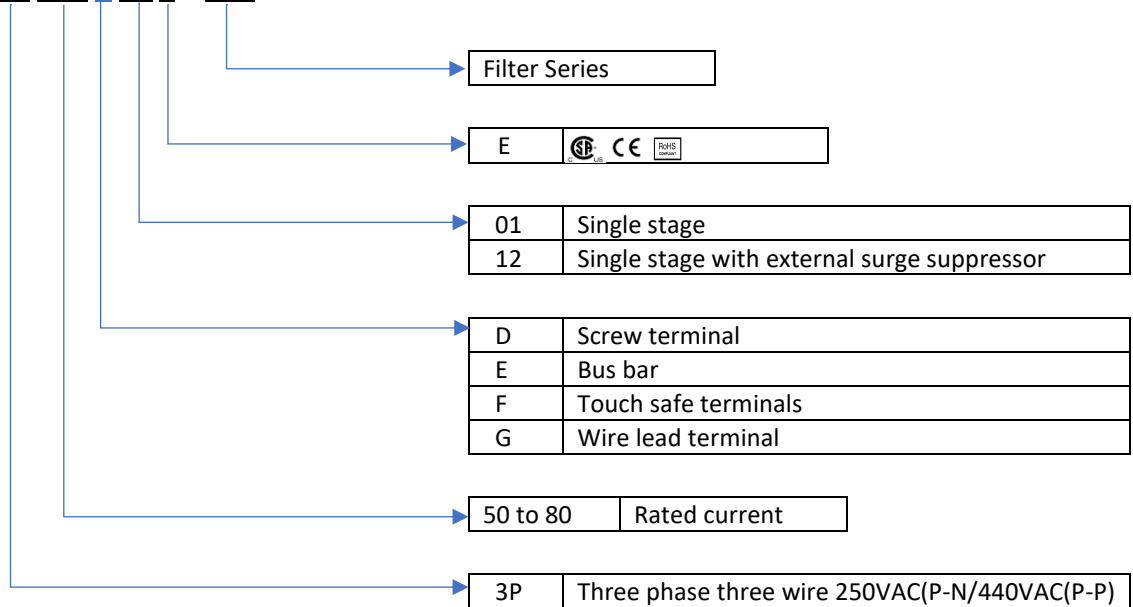
EP-355WN Series



El.italia EC-EC74 [EP-355WN] serie

Syntax

EF - 3P CCC X YY E - C74





High attenuation AC EMI Filter

El.italia EC-EC75 serie



Technical specifications

Operating voltage	250VAC(P-N)/440VAC(P-P)
Current rating	50A-60A
Frequency	50/60Hz
Voltage drop	1 Volt max.
High potential test voltage	P -> E 1500VAC
Insulation resistance	≥ 300 MΩ @ 500VDC (PN→E)
Operating temperature	40°c /-25°c +85°c

*Image shown is for illustrative purpose only

Attenuation Type

Double Stage

High

Applications

- | Consumer product
- | Defence application
- | Industrial application
- | Automotive application
- | Weighting Machines
- | Printing Machinery
- | Electrical equipment application
- | Office automation equipment

Features and benefits

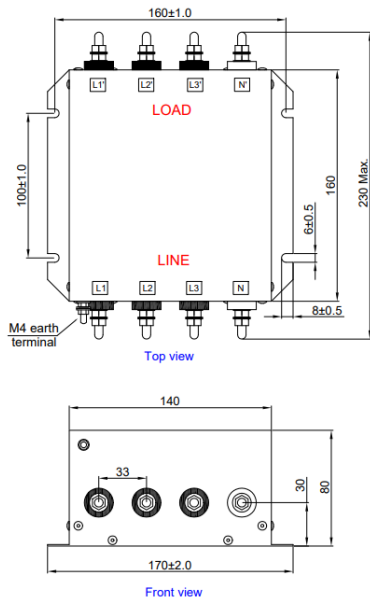
- | Filters available in double stage
- | All filters provide high attenuation performance.
- | Two stage filters designed for noisy application requiring excellent filter performance.
- | All filters compliance to EN60939-3:2015 & EN60939-2:2005 standards.
- | High reliable
- | Easy and fast chassis mountable filter with compact size.
- | CRCA metal can with nickel plating provides good aesthetic and corrosion protection.
- | Various terminal options are available



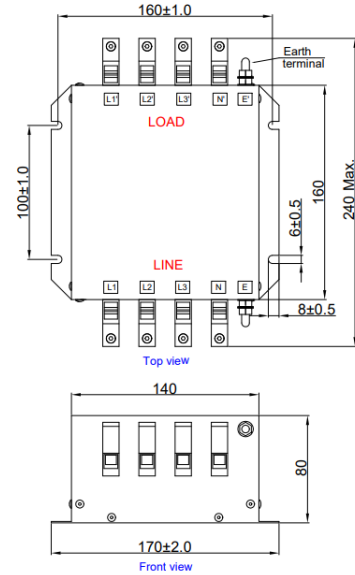
Mechanical details

El.italia EC-EC75 serie

Screw terminal



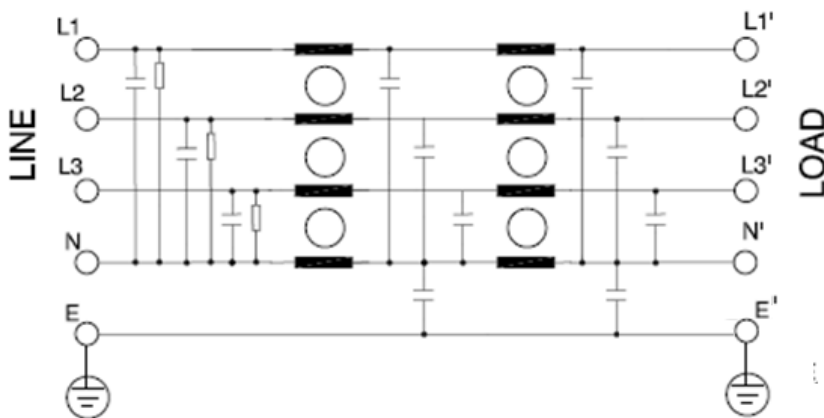
Touch safe terminal



All dimensions in mm
General tolerance=±2mm

Electrical schematic for Double Stage Filter

CKT-1

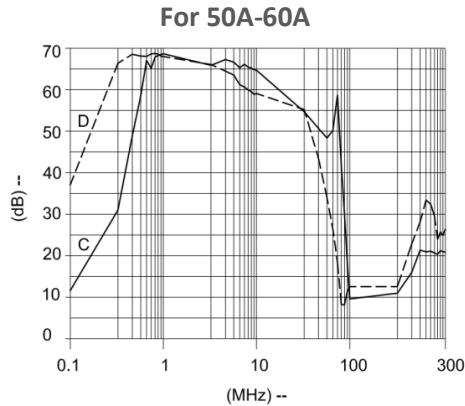






Filter attenuation graph

C = Common mode (asymmetrical) —————

D = Differential mode (symmetrical) - - - - -



Filter Selection Table

Sr. No.	Elcom part codes (ordering code)	Rated Current rating (A) @40°C	Leakage current (mA) @440VAC	Terminals (X)		Approx. Weight (Kg)	Attenuation
				Fast-on 	Wire 		
1	EF-3P050X24G-C75	50	< 3.5	D	F	3.5	High
2	EF-3P060X24G-C75	60	< 3.5	D	F	3.5	High

Connection Type

Current Rating (A)	Screw terminal details		Touch safe terminal details		Earthing screw terminal details
	Screw	Recommended tightening torque	Touch safe	Recommended tightening torque	
50	M6	20-25Kgcm	16 Sq.mm	22-25 lbf.in	M4
60	M6	20-25Kgcm	16 Sq.mm	22-25 lbf.in	M4

Datasheet | EC76

EP-355WN Series



General Purpose AC EMI Filter

El.italia EC-EC76 [EP-355WN] serie



Technical specifications



Image shown is for illustrative purpose only

Operating voltage	250VAC(P-N)/440VAC(P-P)
Current rating	100A-150A
Frequency	50/60Hz
Voltage drop	1 Volt max.
High potential test voltage	P -> E 1500VAC P -> N 2121VDC (applicable for excluding surge suppressor filter)
Insulation resistance	≥ 300 MΩ @ 500VDC (PN→E)
Operating temperature	40°c /-25°c +85°c

Features and benefits

- | Filters available in single stage
- | All filters provide high attenuation performance.
- | All filters compliance to EN60939-3:2015 & EN60939-2:2005 standards.
- | High reliable
- | Chassis mountable filter in fabricated metal can.
- | CRCA metal can with nickel plating provides good aesthetic and corrosion protection.
- | General purpose filters with low leakage current for safety critical application.
- | With surge suppressor filters also available.
- | Various terminal options are available.

Attenuation Type

Single Stage

Standard

Application

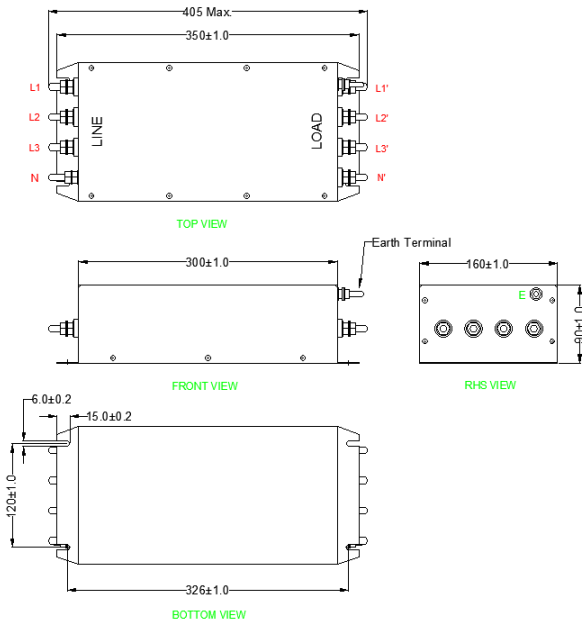
- | Defence application
- | Industrial application
- | UPS
- | Inverters and converters
- | Electrical equipment application
- | Laser cutting tools
- | Test and measurement instruments



El.italia EC-EC76 [EP-355WN] serie

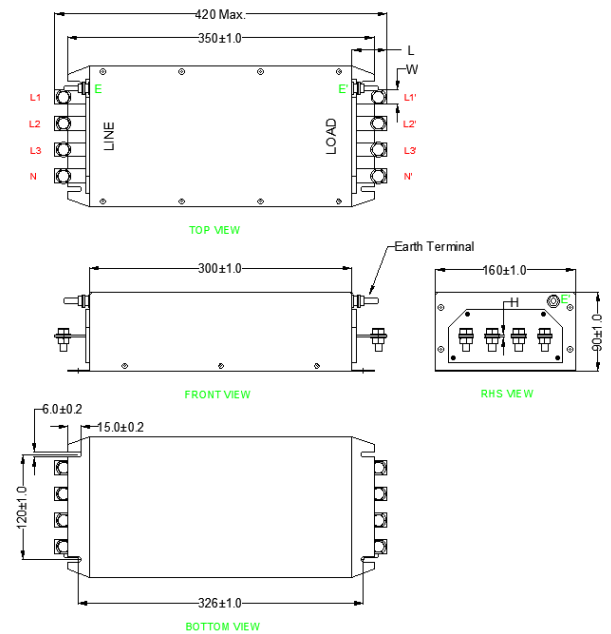
Mechanical details

| For screw terminal



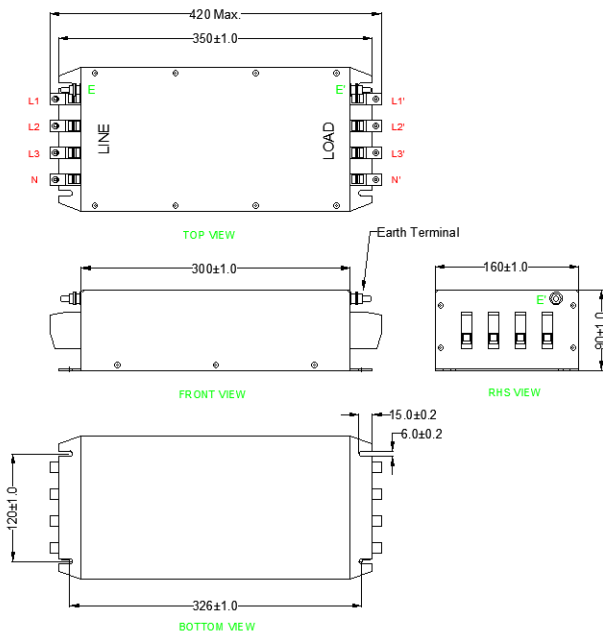
All dimensions in mm

| For bus-bar terminal



All dimensions in mm

| For touch safe terminal



All dimensions in mm

*Note-General tolerance = ±2%

Datasheet | EC76

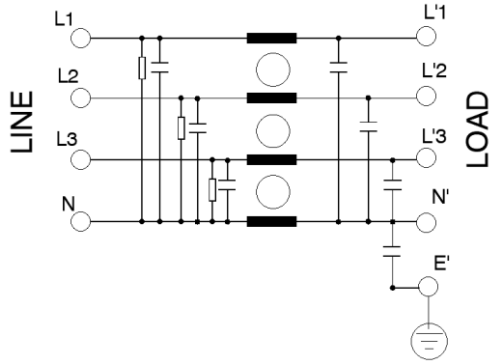
EP-355WN Series



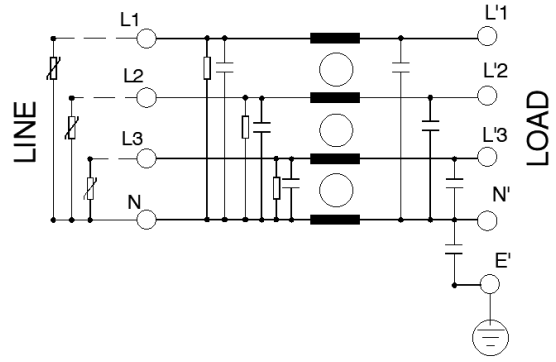
Electrical schematic for Single Stage Filter

El.italia EC-EC76 [EP-355WN] serie

General purpose -



General purpose with external surge suppressor-



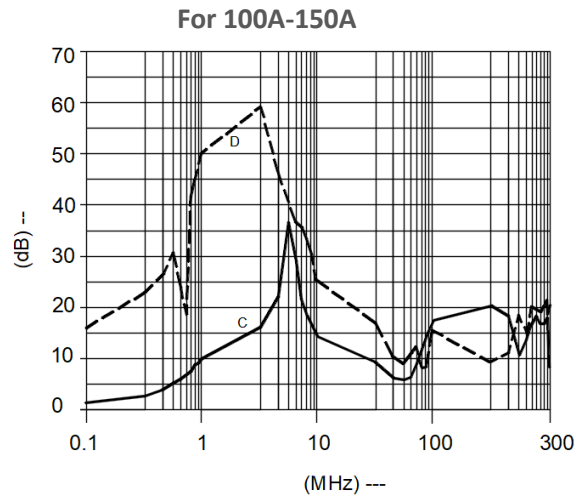
*Note - For Touch safe/Wire/Busbar terminal, earthing terminal provided on both sides.

Filter attenuation Graph

C = Common mode (asymmetrical) —————

D = Differential mode (symmetrical) - - - - -



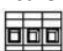
For general application (Single Stage)





El.italia EC-EC76 [EP-355WN] serie

Filter Selection Table

Sr. No.	Elcom part codes (ordering code)	Rated Current rating (A) @40°C	Leakage current (mA) @250VAC	Terminals (X)			Max. Peak current (8/20 μ sec 1 time) (KA)	Energy surge rating (10/1000 μ sec) (Joules)	Weight (Kg)	Attenuation
				Screw 	Bus bar 	Touch -safe 				
1	EF-3P100X01E-C76	100	< 1.0	D	E	F	----	----	5	Standard
2	EF-3P100X12E-C76	100	< 1.0	D	E	F	10	350	5	Standard
3	EF-3P120X01E-C76	120	< 1.0	D	E	F	----	----	5.5	Standard
4	EF-3P120X12E-C76	120	< 1.0	D	E	F	10	350	5.5	Standard
5	EF-3P150X01E-C76	150	< 1.0	D	E	F	----	----	6	Standard
6	EF-3P150X12E-C76	150	< 1.0	D	E	F	10	350	6	Standard

- To compile complete part number, replace the 'X' with required I/O connection terminal. (e.g. EF-3P100D01E-C76)
- Recommended tightening torque for touch safe –for 50 sqmm.-38-40 lbf.in. and for screw terminal tightening torque-for M10 is 35-40Kgcm, for M12 is 35-40Kgcm
- Maximum leakage under usual AC operating conditions (acc. IEC 60939-3). Note: if the neutral line is interrupted, worst case leakage could reach twice this level.
- Customize products provided on request.

Connection Type

Current Rating (A)	Screw terminal	Bus bar (LxWxH) & connection screw terminal	Touch safe	Earthing
100	M10	40x16x5 & M8	50 Sqmm	M6
120	M10	40x16x5 & M8	50 Sq.mm	M6
150	M12	40x16x5 & M8	50 Sq.mm	M6

Datasheet | EC76

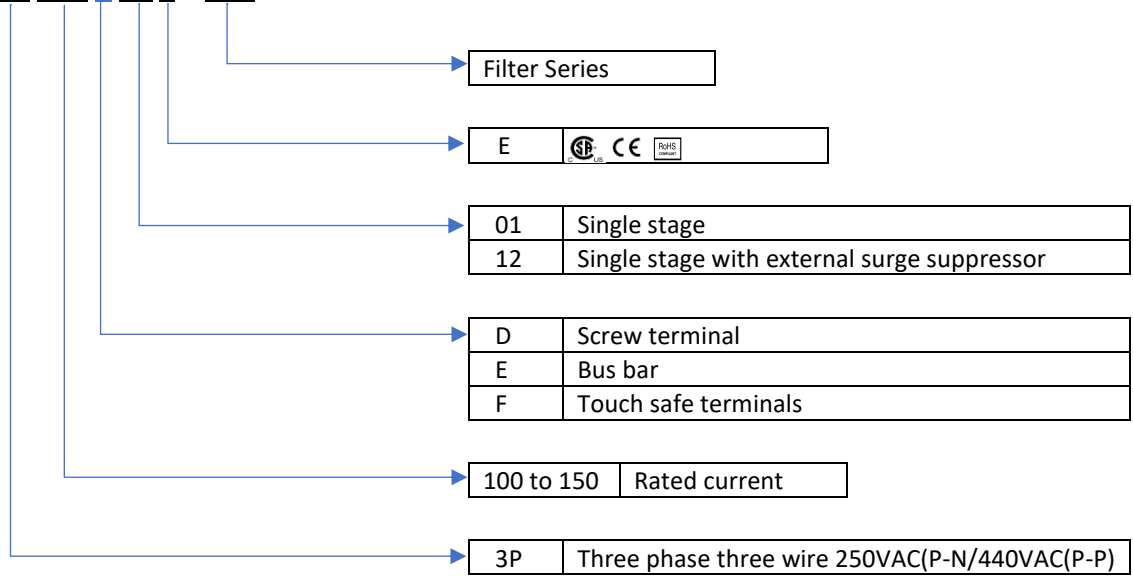
EP-355WN Series



El.italia EC-EC76 [EP-355WN] serie

Syntax

EF - 3P CCC X YY E - C76



Datasheet | EC78

EP-355WN Series



General Purpose AC EMI Filter

El.italia EC-EC78 [EP-355WN] serie



Technical specifications



Image shown is for illustrative purpose only

Operating voltage	250VAC(P-N)/440VAC(P-P)
Current rating	180-250A
Frequency	50/60Hz
Voltage drop	1 Volt max.
High potential test voltage	P -> E 1500VAC P -> N 2121VDC (applicable for excluding surge suppressor filter)
Insulation resistance	≥ 300 MΩ @ 500VDC (PN→E)
Operating temperature	40°c /-25°c +85°c

Features and benefits

- | Filters available in single stage
- | All filters provide high attenuation performance.
- | All filters compliance to EN60939-3:2015 & EN60939-2:2005 standards.
- | High reliable
- | Chassis mountable filter in fabricated metal can.
- | CRCA metal can with nickel plating provides good aesthetic and corrosion protection.
- | General purpose filters with low leakage current for safety critical application.
- | With surge suppressor filters also available.
- | Various terminal options are available.

Attenuation Type

Single Stage

Standard

Application

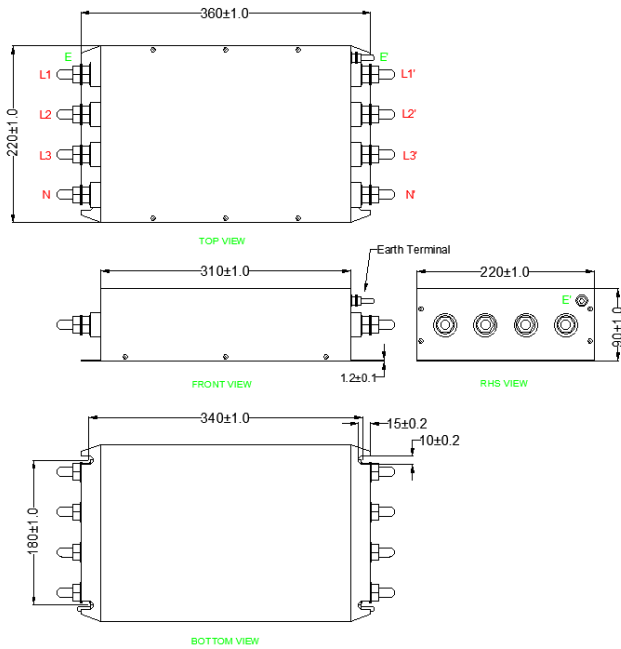
- | Defence application
- | Industrial application
- | UPS
- | Inverters and converters
- | Electrical equipment application
- | Laser cutting tools
- | Test and measurement instruments



Mechanical details

El.italia EC-EC78 [EP-355WN] serie

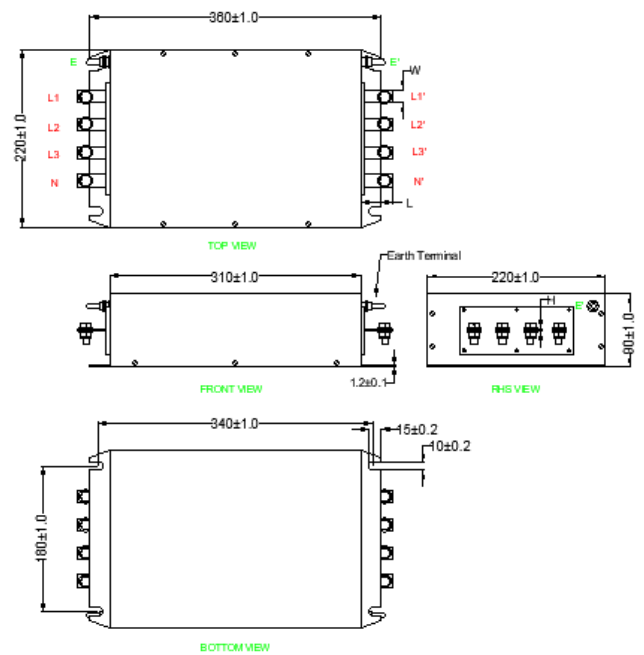
I For screw terminal



All dimensions in mm

*Note-General tolerance = ±2%

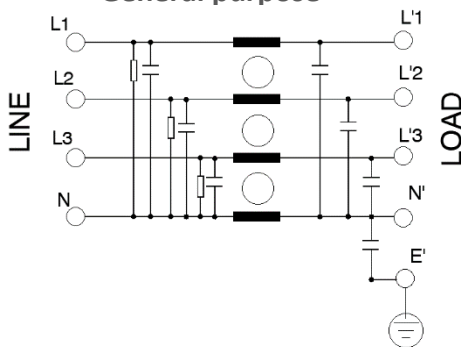
I For bus-bar terminal



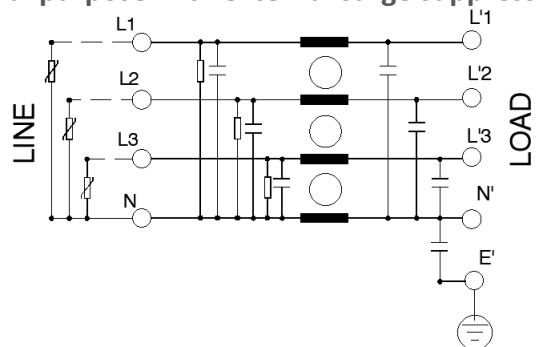
All dimensions in mm

Electrical schematic for single stage filter

General purpose -



General purpose with external surge suppressor-



*Note - For Busbar terminal, earthing terminal provided on both sides.

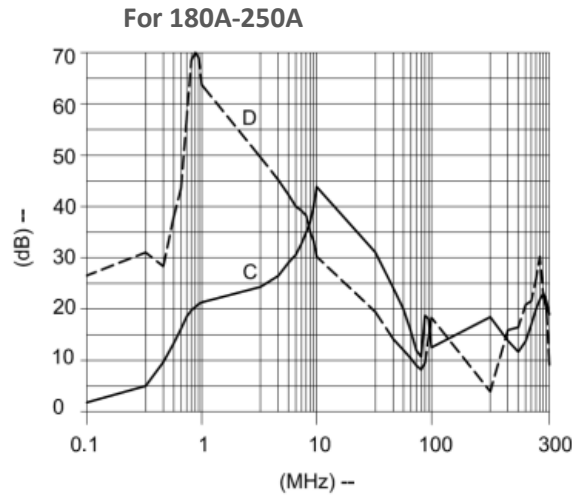


Filter attenuation Graph

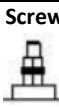

C = Common mode (asymmetrical) —————

D = Differential mode (symmetrical) - - - - -

For general application (Single Stage)



Filter Selection Table

Sr. No.	Elcom part codes (ordering code)	Rated Current rating (A) @40°C	Leakage current (mA) @250VAC	Terminals (X)		Max. Peak current (8/20 μ sec 1 time) (KA)	Energy surge rating (10/1000 μ sec) (Joules)	Weight (Kg)	Attenuation
				 Screw	 Bus bar				
1	EF-3P180X01E-C78	180	< 1.0	D	E	----	----	8	Standard
2	EF-3P180X12E-C78	180	< 1.0	D	E	10	350	8	Standard
3	EF-3P200X01E-C78	200	< 1.0	D	E	----	----	9	Standard
4	EF-3P200X12E-C78	200	< 1.0	D	E	10	350	9	Standard
5	EF-3P250X01E-C78	250	< 1.0	D	E	----	----	10	Standard
6	EF-3P250X12E-C78	250	< 1.0	D	E	10	350	10	Standard

- To compile complete part number, replace the 'X' with required I/O connection terminal. (e.g. EF-3P180D01E-C78)
- Maximum leakage under usual AC operating conditions (acc. IEC 60939-3). Note: if the neutral line is interrupted, worst case leakage could reach twice this level.
- With surge suppressor filter available with externally connected surge suppressor unit.
- Customize products provided on request.



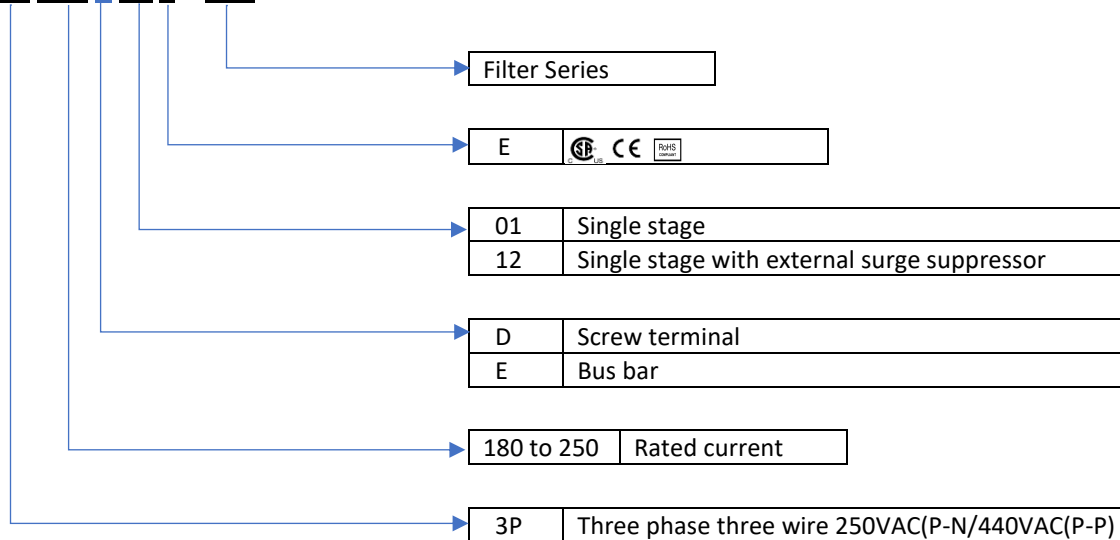
El.italia EC-EC78 [EP-355WN] serie

Connection Type

Current Rating (A)	Screw terminal details		Bus bar terminal details		Earthing screw terminal details
	Screw	Recommended tightening torque	Bus bar (LxWxH)	connection screw terminal	
180	M12	35-40Kgcm	40x25x6	M10	M6
200	M12	35-40Kgcm	40x25x6	M10	M6
250	M12	35-40Kgcm	40x25x6	M10	M6

Syntax

EF - 3P CCC X YY E - C78



Datasheet | EC83 EP-355WN Series



General Purpose AC EMI Filter

El.italia EC-EC83 [EP-355WN] serie



Image shown is for illustrative purpose only

Technical specifications

Operating voltage	250VAC(P-N)/440VAC(P-P)
Current rating	300-650A
Frequency	50/60Hz
Voltage drop	1 Volt max.
High potential test voltage	P -> E 1500VAC P -> N 2121VDC (applicable for excluding surge suppressor filter)
Insulation resistance	≥ 300 MΩ @ 500VDC (PN→E)
Operating temperature	40°c /-25°c +85°c

Features and benefits

- | Filters available in single stage
- | All filters provide high attenuation performance.
- | All filters compliance to EN60939-3:2015 & EN60939-2:2005 standards.
- | High reliable
- | Chassis mountable filter in fabricated metal can.
- | CRCA metal can with nickel plating provides good aesthetic and corrosion protection.
- | General purpose filters with low leakage current for safety critical application.
- | With surge suppressor filters also available.
- | Various terminal options are available.

Attenuation Type

Single Stage

Standard

Application

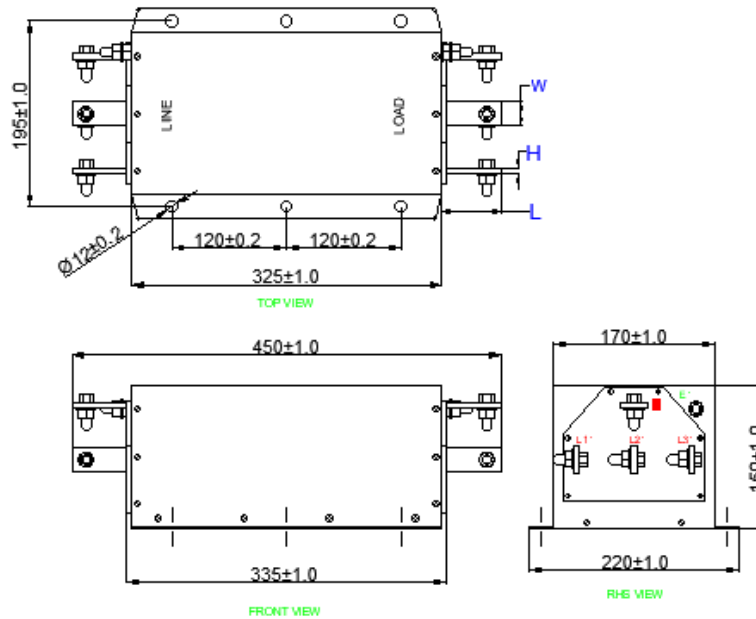
- | Defence application
- | Industrial application
- | UPS
- | Inverters and converters
- | Electrical equipment application
- | Laser cutting tools
- | Test and measurement instruments



Mechanical details

El.italia EC-EC83 [EP-355WN] serie

I For bus bar terminal

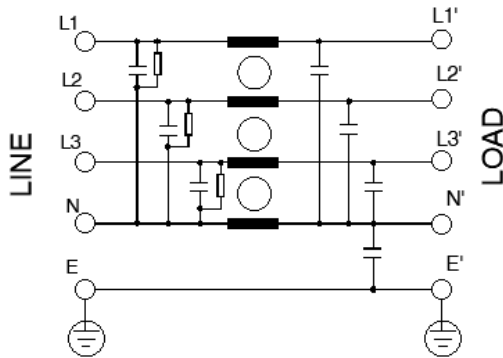


All dimensions in mm

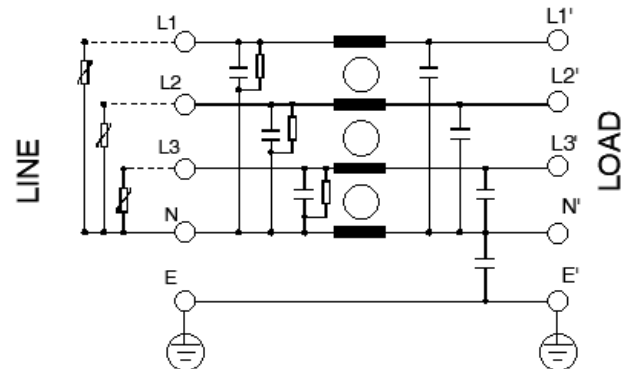
*Note-General tolerance = ±2%

Electrical schematic for Single Stage Filter

General purpose -



General purpose with external surge suppressor-



Datasheet | EC83

EP-355WN Series

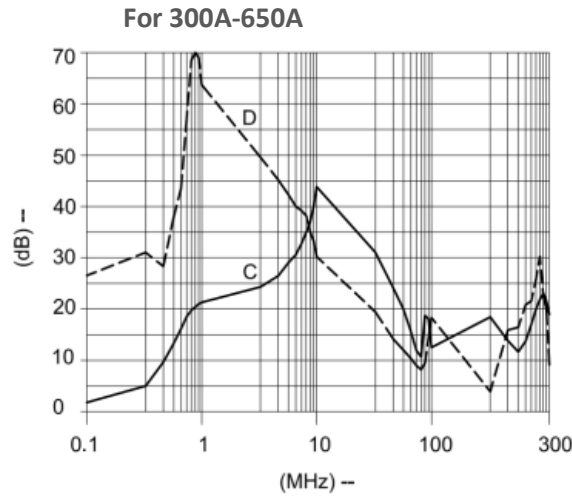


Filter attenuation Graph

C = Common mode (asymmetrical) —————

D = Differential mode (symmetrical) - - - - -

For general application (Single Stage)



Filter Selection Table

Sr. No.	Elcom part codes (ordering code)	Rated Current rating (A) @40°C	Leakage current (mA) @250VAC	Terminals (X)	Max. Peak current (8/20 μ sec 1 time) (KA)	Energy surge rating (10/1000 μ sec) (Joules)	Weight (Kg)	Attenuation
				Bus bar				
1	EF-3P300X01E-C83	300	< 1.0	E	----	----	18	Standard
2	EF-3P300X12E-C83	300	< 1.0	E	10	350	18	Standard
3	EF-3P350X01E-C83	350	< 1.0	E	----	----	18	Standard
4	EF-3P350X12E-C83	350	< 1.0	E	10	350	18	Standard
5	EF-3P400X01E-C83	400	< 1.0	E	----	----	18	Standard
6	EF-3P400X12E-C83	400	< 1.0	E	10	350	18	Standard
7	EF-3P450X01E-C83	450	< 1.0	E	----	----	20	Standard
8	EF-3P450X12E-C83	450	< 1.0	E	10	350	20	Standard
9	EF-3P500X01E-C83	500	< 1.0	E	----	----	20	Standard
10	EF-3P500X12E-C83	500	< 1.0	E	10	350	20	Standard

Datasheet | EC83

EP-355WN Series



11	EF-3P550 <u>X</u> 01E-C83	550	< 1.0	E	----	----	20	Standard
12	EF-3P550 <u>X</u> 12E-C83	550	< 1.0	E	10	350	22	Standard
13	EF-3P600 <u>X</u> 01E-C83	600	< 1.0	E	----	----	22	Standard
14	EF-3P600 <u>X</u> 12E-C83	600	< 1.0	E	10	350	22	Standard
15	EF-3P650 <u>X</u> 01E-C83	650	< 1.0	E	----	----	22	Standard
16	EF-3P650 <u>X</u> 12E-C83	650	< 1.0	E	10	350	22	Standard

- To compile complete part number, replace the 'X' with required I/O connection terminal. (e.g. EF-3P400E01E-C83)
- Maximum leakage under usual AC operating conditions (acc. IEC 60939-3). Note: if the neutral line is interrupted, worst case leakage could reach twice this level.
- With surge suppressor filter available with externally connected surge suppressor unit.
- Customize products provided on request.

Connection Type

Current Rating (A)	Bus bar (LxWxH) & connection screw terminal	Earthing
300	65x25x6 & M10	M10
350	65x25x6 & M10	M10
400	65x25x8 & M10	M10
450	65x25x8 & M10	M10
500	65x30x8 & M10	M10
550	65x30x8 & M10	M10
600	65x30x8 & M10	M10
650	65x30x8 & M10	M10

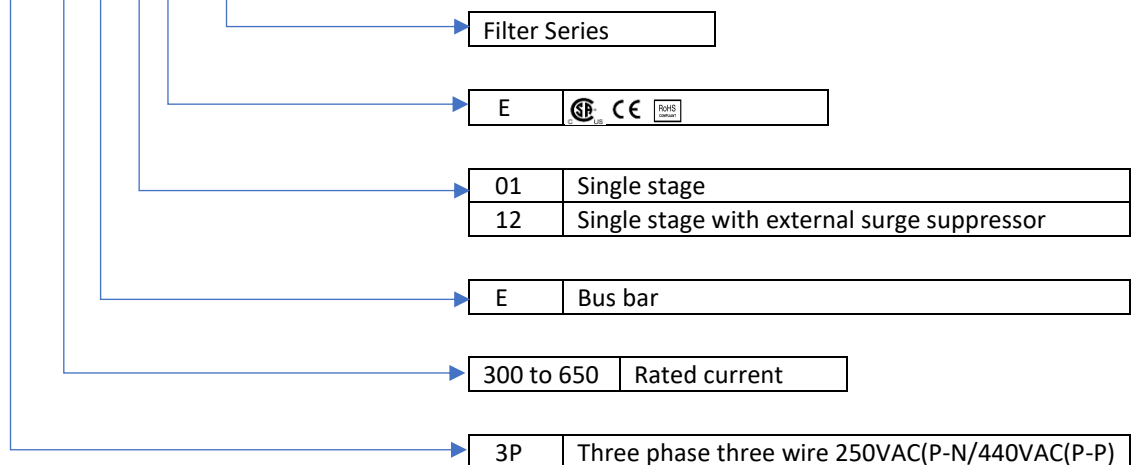
Datasheet | EC83 EP-355WN Series



Syntax

EF - 3P CCC X YY Z - C83

El.italia EC-EC83 [EP-355WN] serie



Datasheet | EC84 EP-355WN Series



General Purpose AC EMI Filter

El.italia EC-EC84 [EP-355WN] serie



Image shown is for illustrative purpose only

Technical specifications

Operating voltage	250VAC(P-N)/440VAC(P-P)
Current rating	700-1000A
Frequency	50/60Hz
Voltage drop	1 Volt max.
High potential test voltage	P -> E 1500VAC P -> N 2121VDC (applicable for excluding surge suppressor filter)
Insulation resistance	≥ 300 MΩ @ 500VDC (PN→E)
Operating temperature	40°c /-25°c +85°c

Features and benefits

- | Filters available in single stage
- | All filters provide high attenuation performance.
- | All filters compliance to EN60939-3:2015 & EN60939-2:2005 standards.
- | High reliable
- | Chassis mountable filter in fabricated metal can.
- | CRCA metal can with nickel plating provides good aesthetic and corrosion protection.
- | General purpose filters with low leakage current for safety critical application.
- | With surge suppressor filters also available.
- | Various terminal options are available.

Attenuation Type

Single Stage

Standard

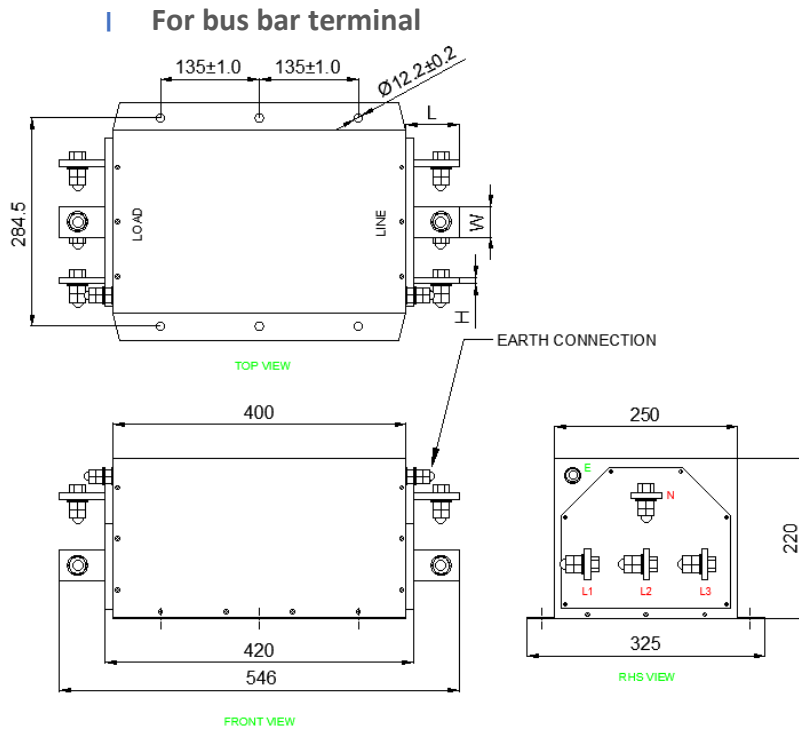
Application

- | Defence application
- | Industrial application
- | UPS
- | Inverters and converters
- | Electrical equipment application
- | Laser cutting tools
- | Test and measurement instruments



Mechanical details

El.italia EC-EC84 [EP-355WN] serie

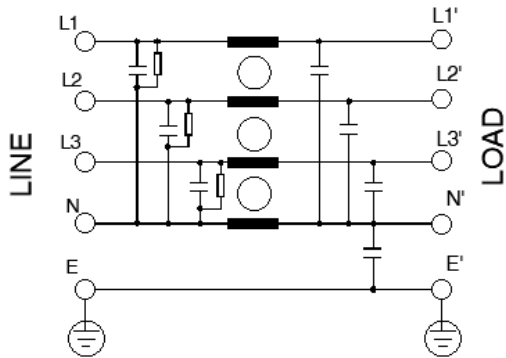


All dimensions in mm

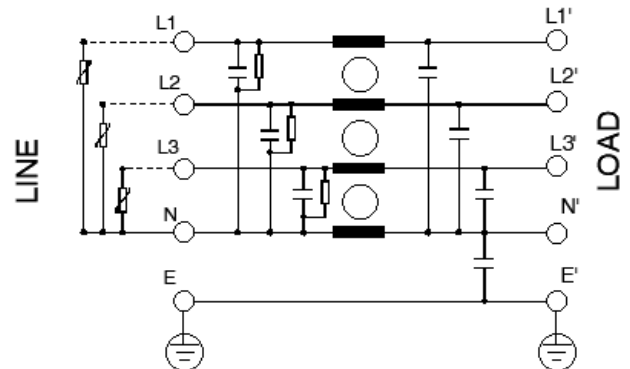
*Note-General tolerance = $\pm 2\%$

Electrical schematic for Single Stage Filter

General purpose -



General purpose with external surge suppressor-



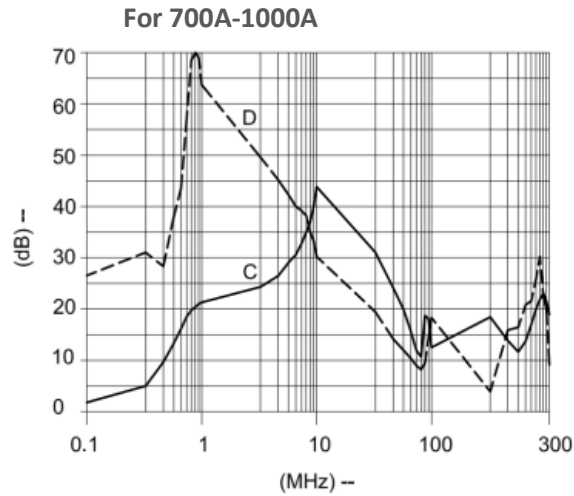


Filter attenuation Graph

C = Common mode (asymmetrical) —————

D = Differential mode (symmetrical) - - - - -

For general application (Single Stage)



Filter Selection Table

Sr. No.	Elcom part codes (ordering code)	Rated Current rating (A) @40°C	Leakage current (mA) @250VAC	Terminals (X)	Max. Peak current (8/20 μ sec 1 time) (KA)	Energy surge rating (10/1000 μ sec) (Joules)	Approx. Weight (Kg)	Attenuation
				Bus bar				
1	EF-3P700E01E-C84	700	< 1.0	E	----	----	30	Standard
2	EF-3P700E12E-C84	700	< 1.0	E	10	350	30	Standard
3	EF-3P800E01E-C84	800	< 1.0	E	----	----	35	Standard
4	EF-3P800E12E-C84	800	< 1.0	E	10	350	35	Standard
5	EF-3P1K0E01E-C84	1000	< 1.0	E	----	----	40	Standard
6	EF-3P1K0E12E-C84	1000	< 1.0	E	10	350	40	Standard

- Maximum leakage under usual AC operating conditions (acc. IEC 60939-3). Note: if the neutral line is interrupted, worst case leakage could reach twice this level.
- With surge suppressor filter available with externally connected surge suppressor unit.
- Customize products provided on request.

Datasheet | EC84

EP-355WN Series



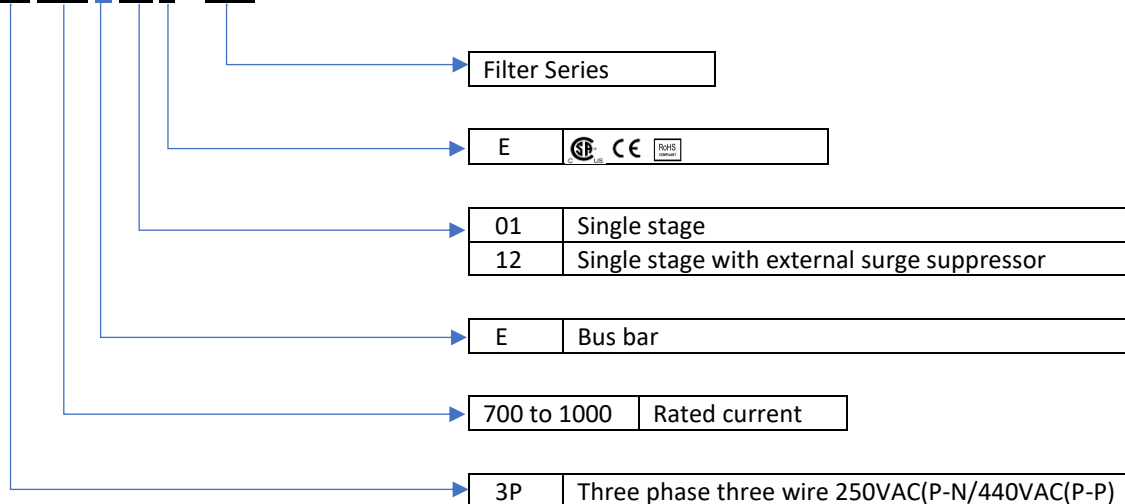
El.italia EC-EC84 [EP-355WN] serie

Connection Type

Current Rating (A)	Bus bar (LxWxH) & connection screw terminal	Earthing
700	73x40x10 & M10	M10
800	73x40x10 & M10	M10
1000	73x40x12 & M10	M10

Syntax

EF - 3P CCC X YY E - C84





El.italia EC-EC89 serie

General Purpose AC EMI Filter



Image shown is for illustrative purpose only



Technical specifications

Operating voltage	250VAC(P-N)/440VAC(P-P)
Current rating	1100-1500A
Frequency	50/60Hz
Voltage drop	1 Volt max.
High potential test voltage	P -> E 1500VAC P -> N 2121VDC
Insulation resistance	≥ 300 MΩ @ 500VDC (PN→E)
Operating temperature	40°c /-25°c +85°c

Features and benefits

- | Filters available in single & double stage
- | All filters provide high attenuation performance.
- | All filters compliance to EN60939-3:2015 & EN60939-2:2005 standards.
- | High reliable
- | Chassis mountable filter in fabricated metal can.
- | CRCA metal can with nickel plating provides good aesthetic and corrosion protection.

Attenuation Type

Single Stage	Standard
Double Stage	High

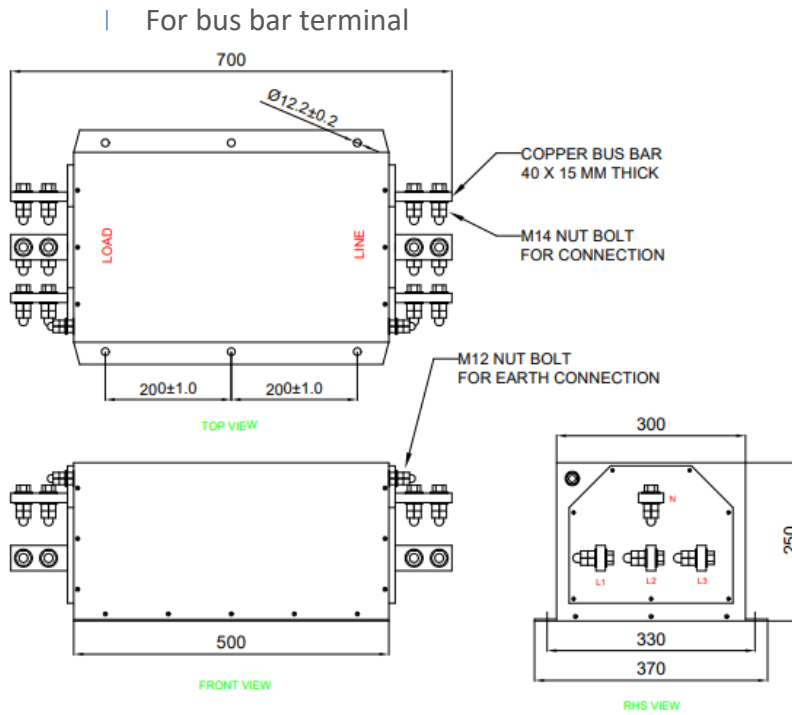
Application

- | Defence application
- | Industrial application
- | UPS
- | Inverters and converters
- | Electrical equipment application
- | Laser cutting tools
- | Test and measurement instruments



El.italia EC-EC89 serie

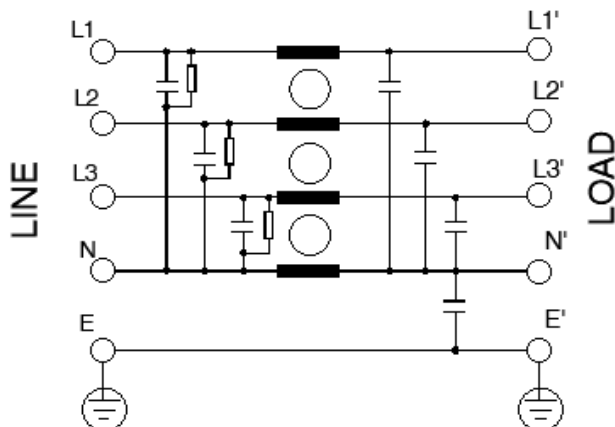
Mechanical details



All dimensions in mm
*Note-General tolerance = $\pm 2\%$

Electrical schematic for Single Stage Filter

General purpose -

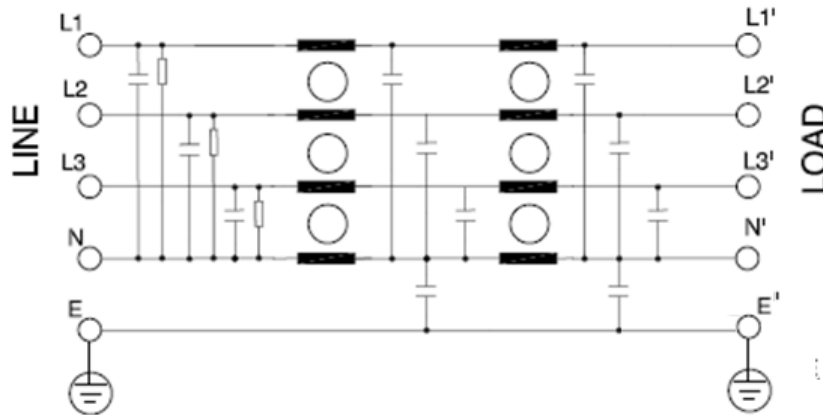




El.italia EC-EC89 serie

Electrical schematic for Double Stage Filter

General purpose -

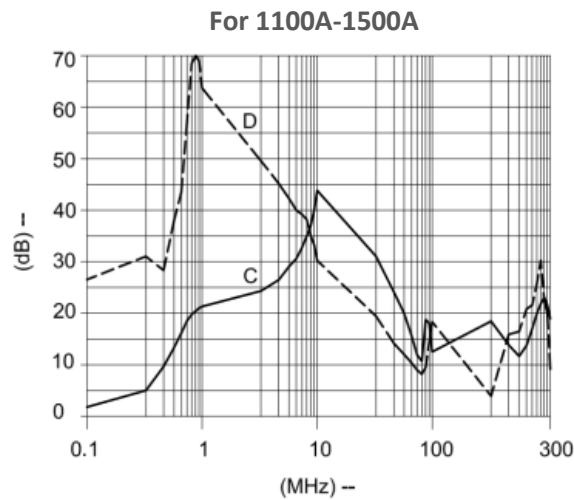


Filter attenuation Graph

C = Common mode (asymmetrical) —————

D = Differential mode (symmetrical) - - - - -


For general application single stage





Filter Selection Table

El.italia EC-EC89 serie

Sr. No.	Elcom part codes (ordering code)	Rated Current rating (A) @40°C	Leakage current (mA) @440VAC	Terminals (X)	Approx. Weight (Kg)	Attenuation
				Bus bar 		
1	EF-3P1K1E01G-C89	1100	< 3.5	E	40	Standard
2	EF-3P1K2E01G-C89	1200	< 3.5	E	40	Standard
3	EF-3P1K3E01G-C89	1300	< 3.5	E	45	Standard
4	EF-3P1K4E01G-C89	1400	< 3.5	E	45	Standard
5	EF-3P1K5E01G-C89	1500	< 3.5	E	45	Standard
6	EF-3P1K1E20G-C89	1100	< 3.5	E	40	High
7	EF-3P1K2E20G-C89	1200	< 3.5	E	40	High
8	EF-3P1K3E20G-C89	1300	< 3.5	E	45	High
9	EF-3P1K4E20G-C89	1400	< 3.5	E	45	High
10	EF-3P1K5E20G-C89	1500	< 3.5	E	45	High

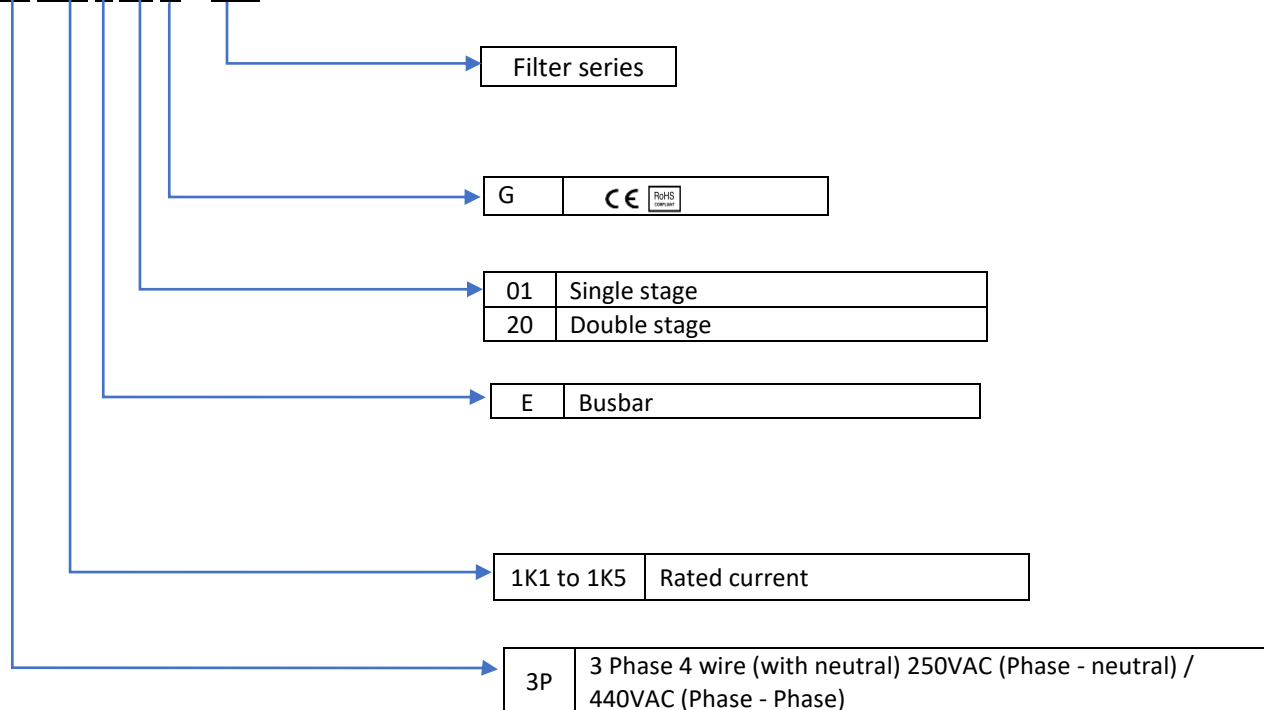
- Maximum leakage under usual AC operating conditions (acc. IEC 60939-3). Note: if the neutral line is interrupted, worst case leakage could reach twice this level.
- Customize products provided on request



El.italia EC-EC89 serie

Syntax

EF - 3P CCC X YY G - C89





El.italia EC-EC90 serie

General Purpose AC EMI Filter



Technical specifications

Operating voltage	250VAC(P-N)/440VAC(P-P)
Current rating	1600-2000A
Frequency	50/60Hz
Voltage drop	1 Volt max.
High potential test voltage	P -> E 1500VAC P -> N 2121VDC
Insulation resistance	≥ 300 MΩ @ 500VDC (PN→E)
Operating temperature	40°c /-25°c +85°c

Image shown is for illustrative purpose only

Features and benefits

- | Filters available in single stage
- | All filters provide high attenuation performance.
- | All filters compliance to EN60939-3:2015 & EN60939-2:2005 standards.
- | High reliable
- | Chassis mountable filter in fabricated metal can.
- | CRCA metal can with nickel plating provides good aesthetic and corrosion protection.

Attenuation Type

Single Stage **Standard**

Application

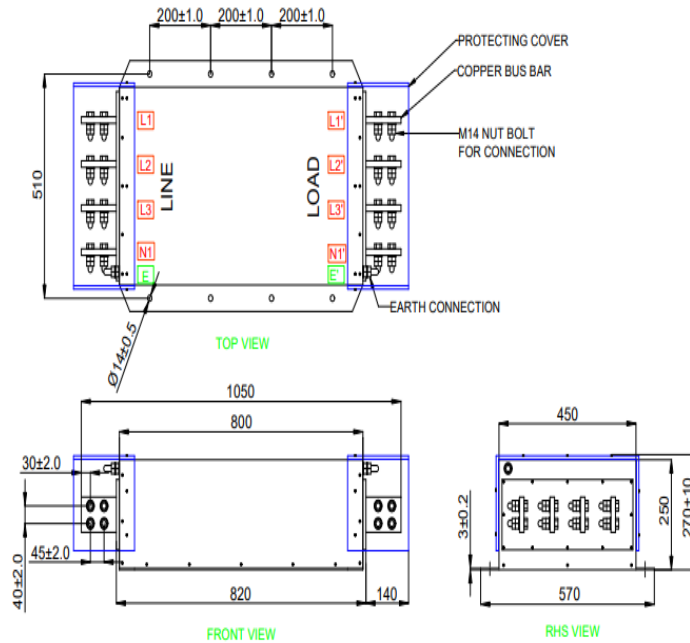
- | Defense application
- | Industrial application
- | UPS
- | Inverters and converters
- | Electrical equipment application
- | Laser cutting tools
- | Test and measurement instruments



El.italia EC-EC90 serie

Mechanical details

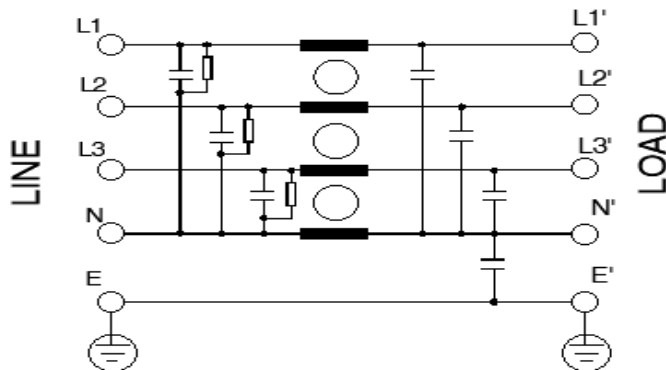
For bus bar terminal



All dimensions in mm
 *Note-General tolerance = ±2%

Electrical schematic for Single Stage Filter

General purpose -





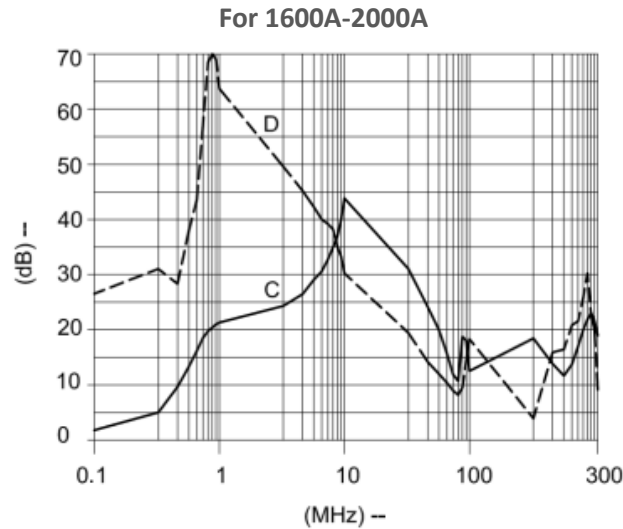
El.italia EC-EC90 serie

Filter attenuation Graph


C = Common mode (asymmetrical) -----

D = Differential mode (symmetrical) -----

For general application (Single Stage)



Filter Selection Table

Sr. No.	Elcom part codes (ordering code)	Rated Current rating (A) @40°C	Leakage current (mA) @440VAC	Terminals	Attenuation
				(X) Bus bar	
1	EF-3P1K6E01G-C90	1600	< 3.5	 E	Standard
2	EF-3P1K7E01G-C90	1700	< 3.5	E	Standard
3	EF-3P1K8E01G-C90	1800	< 3.5	E	Standard
4	EF-3P1K9E01G-C90	1900	< 3.5	E	Standard
5	EF-3P2K0E01G-C90	2000	< 3.5	E	Standard

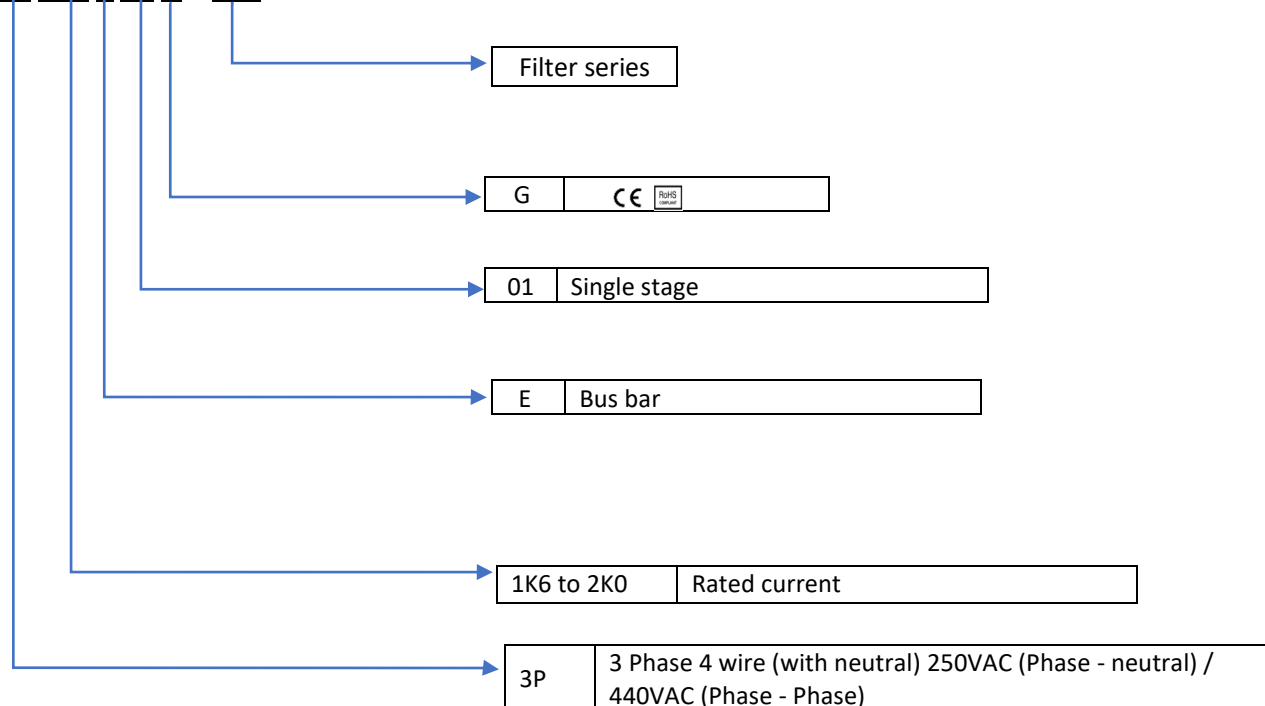
- To compile complete part number, replace the 'X' with required I/O connection terminal. (e.g. EF-3P1K8E01E-C90)
- Maximum leakage under usual AC operating conditions (acc. IEC 60939-3). Note: if the neutral line is interrupted, worst case leakage could reach twice this level.
- Customize products provided on request.



El.italia EC-EC90 serie

Syntax

EF - 3P CCC X YY G - C90





High performance AC EMI Filter



El.italia EC-EC91 serie



Technical specifications

Operating voltage	250(P-N VAC/440(P-P) VAC
Current rating	1A-40A
Frequency	50/60Hz
Voltage drop	1 Volt max.
High potential test voltage	P -> E 1500VAC
Insulation resistance	≥ 300 MΩ @ 500VDC (PN→E)
Operating temperature	40°C /-25°C +85°C

*Image shown is for illustrative purpose only

Features and benefits

- | Filters available in double stage
- | All filters provide high attenuation performance.
- | Two stage filters designed for noisy application requiring excellent filter performance.
- | All filters compliance to EN60939-3:2015 & EN60939-2:2005 standards.
- | High reliable
- | Chassis mountable filter in fabricated metal can.
- | Aluminum metal casing provides good aesthetic and corrosion protection.

Attenuation Type

Double Stage	High
--------------	------

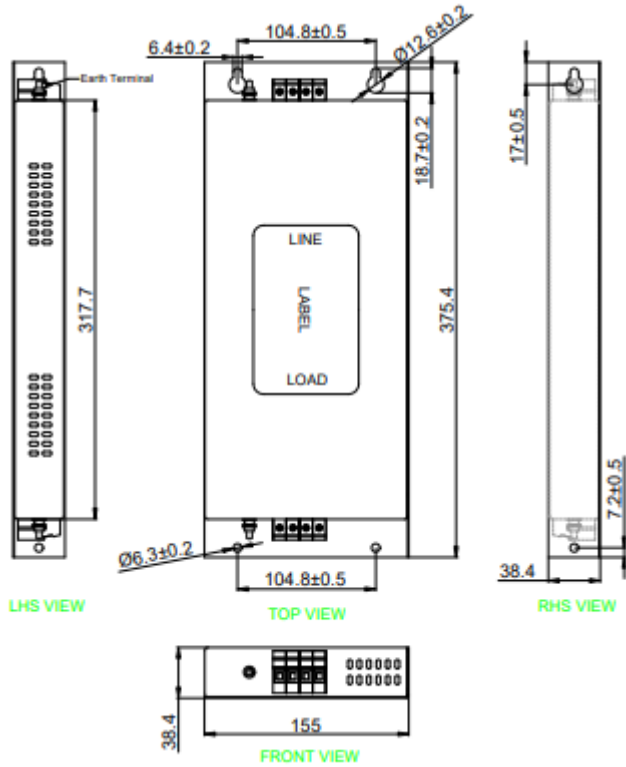
Applications

- | Consumer product
- | Defence application
- | Industrial application
- | Automotive application
- | Printing Machinery
- | Electrical equipment application



Mechanical details

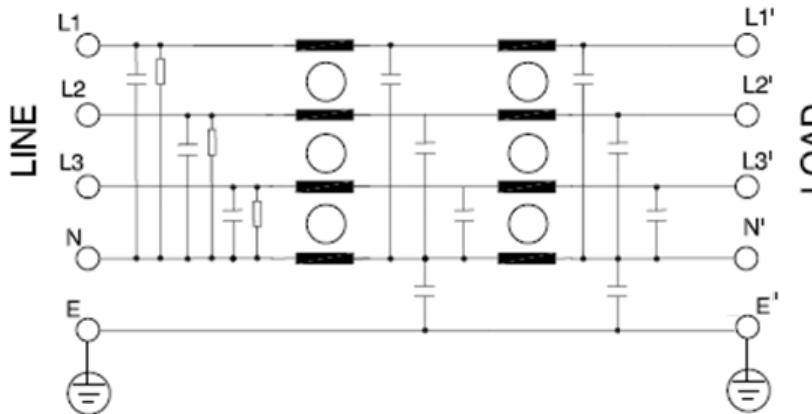
El.italia EC-EC91 serie



All dimensions in mm
General tolerance = $\pm 2\%$

Electrical schematic for Double Stage Filter

CKT-1





El.italia EC-EC91 serie

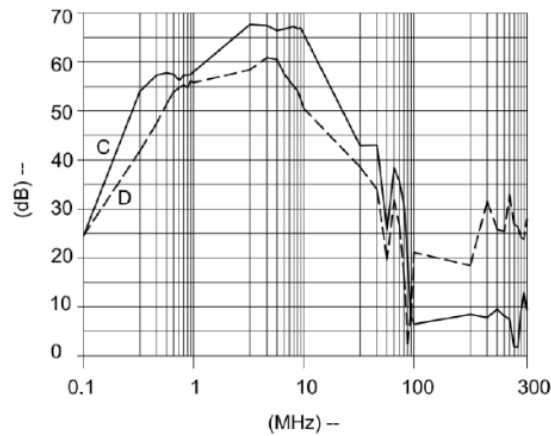
Filter attenuation Graph

C = Common mode (asymmetrical) —————


D = Differential mode (symmetrical) - - - - -

For general application (Double Stage)

For 25A,30A & 40A



Filter Selection Table

Sr. No.	Elcom part codes (ordering code)	Rated Current rating (A) @40°C	Leakage current (mA) @440VAC	Terminals (X)	Approx. Weight (Kg)	Attenuation
				Touch safe 		
1	EF-3P025F24G-C91	25	< 3.5	F	1.5	High
2	EF-3P030F24G-C91	30	< 3.5	F	1.5	High
3	EF-3P040F24G-C91	40	< 3.5	F	1.5	High



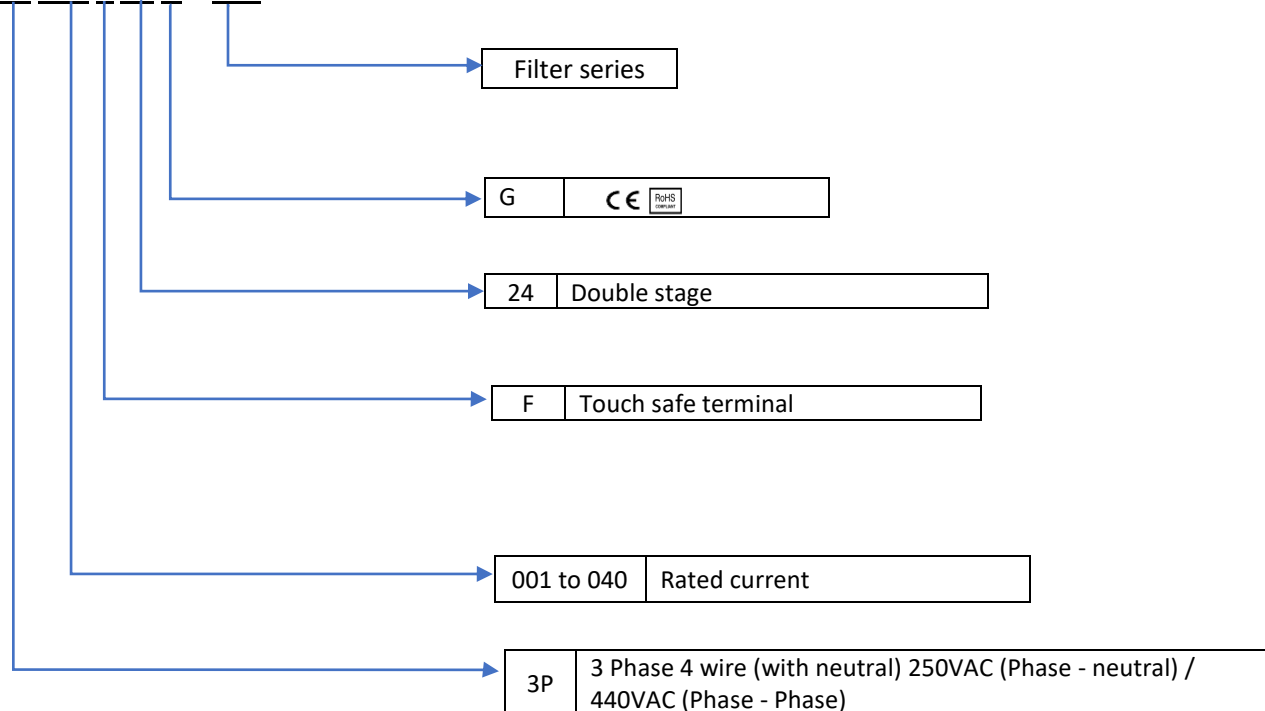
El.italia EC-EC91 serie

Connection Type

Current Rating (A)	Touch safe	Earthing
1A-40A	6 sqmm	M4 screw

Syntax

EF - 3P CCC X YY G - C91





El.italia EC-EC92 serie

High performance AC EMI Filter



Image shown is for illustrative purpose only



Technical specifications

Operating voltage	250VAC(P-N)/440VAC(P-P)
Current rating	50A-60A
Frequency	50/60Hz
Voltage drop	1 Volt max.
High potential test voltage	P -> E 1500VAC P -> N 2121VDC
Insulation resistance	≥ 300 MΩ @ 500VDC (PN→E)
Operating temperature	40°C / -25°C +85°C

Features and benefits

- | Filters available in single & double stage
- | All filters provide high attenuation performance.
- | All filters compliance to EN60939-3:2015 & EN60939-2:2005 standards.
- | High reliable
- | Chassis mountable filter in fabricated metal can.
- | CRCA metal can with nickel plating provides good aesthetic and corrosion protection.
- | Various terminal options are available.

Attenuation Type

Single Stage	Standard
Double Stage	High

Application

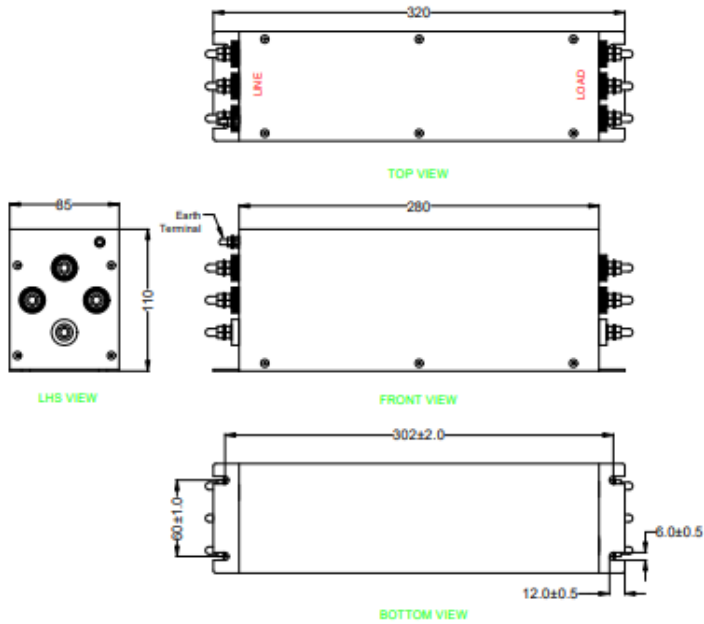
- | Defence application
- | Industrial application
- | UPS
- | Inverters and converters
- | Electrical equipment application
- | Laser cutting tools
- | Test and measurement instruments



El.italia EC-EC92 serie

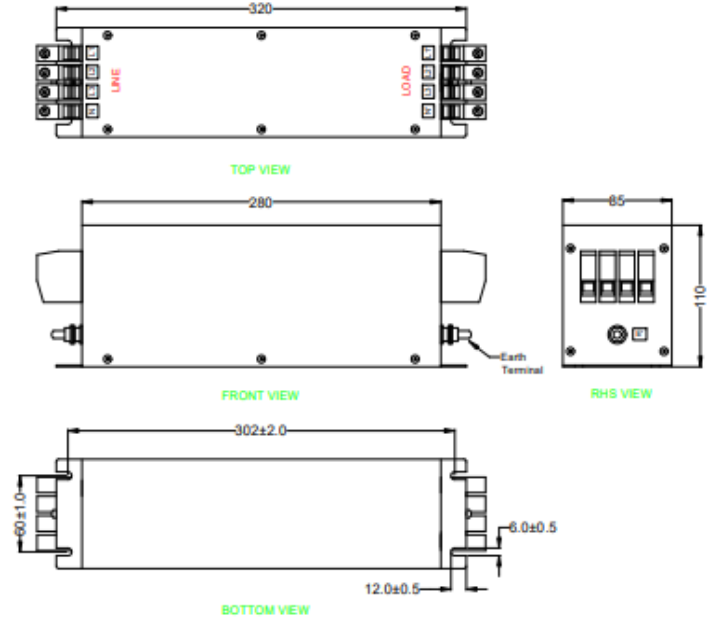
Mechanical details

| For screw terminal



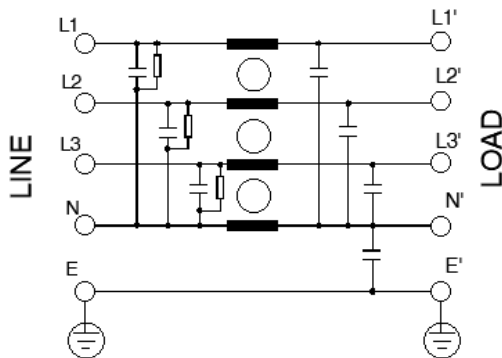
All dimensions in mm
Note-General tolerance = ±2%

| For touch safe terminal



All dimensions in mm
*Note-General tolerance = ±2%

Electrical schematic for Single Stage Filter General purpose –

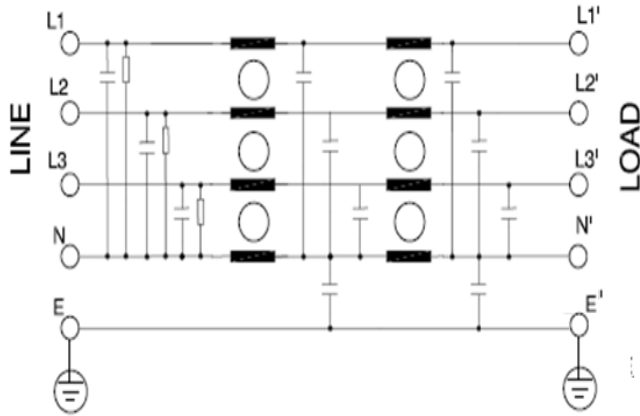




El.italia EC-EC92 serie

Electrical schematic for Double Stage Filter

General purpose -

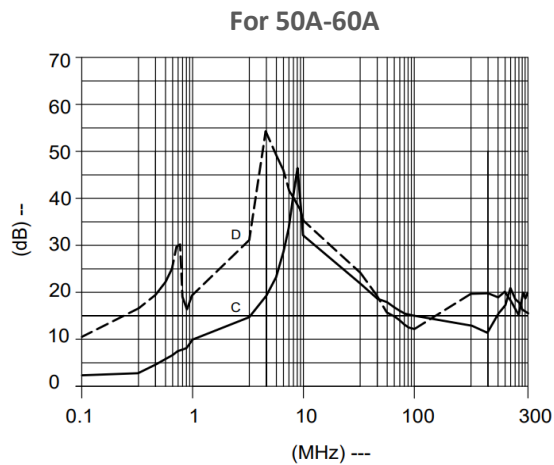


Filter attenuation Graph

C = Common mode (asymmetrical) —————

D = Differential mode (symmetrical) - - - - -

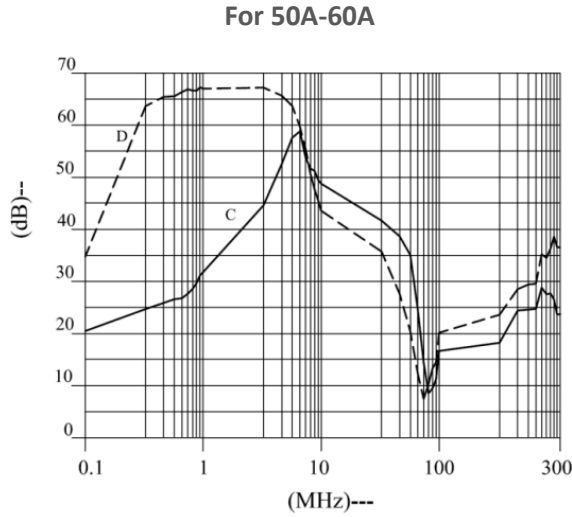
For general application (Single Stage)







For general application (double Stage)

El.italia EC-EC92 serie



Filter Selection Table

Sr. No.	Elcom part codes (ordering code)	Rated Current rating (A) @40°C	Leakage current (mA) @440VAC	Terminals (X)		Weight (Kg)	Attenuation
				Screw 	Touch-safe 		
1	EF-3P050X01G-C92	50	< 3.5	D	F	2.5	Standard
2	EF-3P060X01G-C92	60	< 3.5	D	F	2.5	Standard
3	EF-3P050X20G-C92	50	< 3.5	D	F	2.5	High
4	EF-3P060X20G-C92	60	< 3.5	D	F	2.5	High

- To compile complete part number, replace the 'X' with required I/O connection terminal. (e.g. EF-3P050D01G-C92)
- Customize products provided on request.



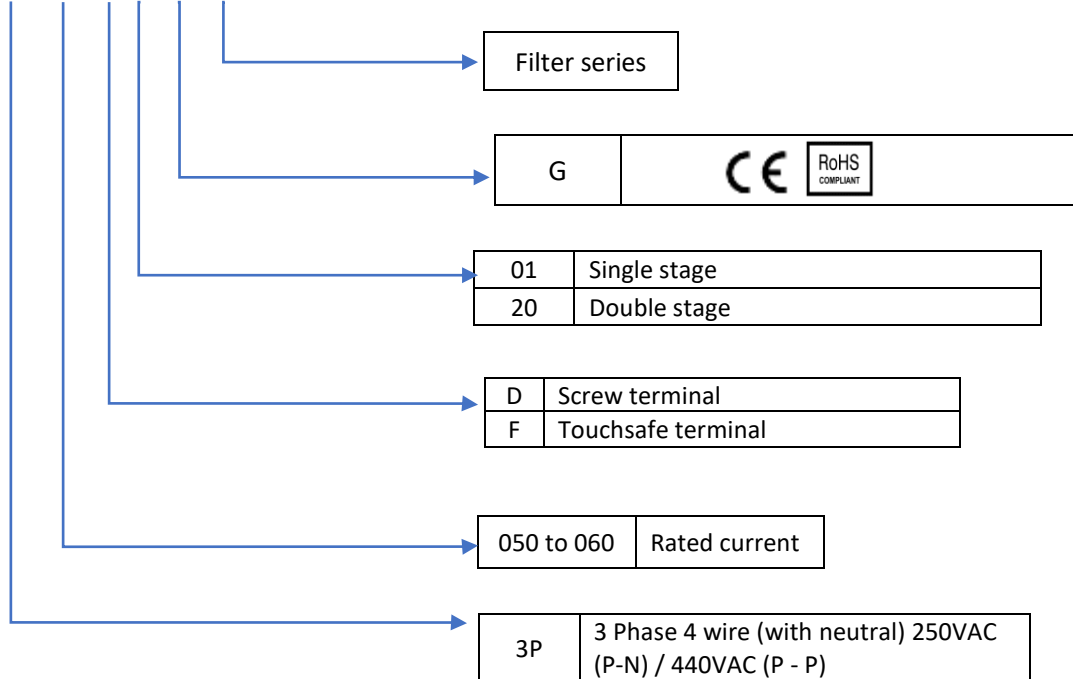
Connection Type

El.italia EC-EC92 serie

Current Rating (A)	Screw terminal details		Touch safe terminal details		Earthing screw terminal details
	Screw	Recommended tightening torque	Touch safe	Recommended tightening torque	
50	M6	20-25Kgcm	16 Sq.mm	22-25 lbf.in	M6
60	M6	20-25Kgcm	16 Sq.mm	22-25 lbf.in	M6

Syntax

EF - 3P CCC X YY G - C92



Datasheet | EE07

Three phase three wire



General Purpose AC EMI Filter

El.italia EC-EE07 serie



Technical specifications

Operating voltage	440 VAC
Current rating	1A-40A
Frequency	50/60Hz
Voltage drop	1 Volt max.
High potential test voltage	P -> E 1500VAC P -> P 2121VDC (applicable for excluding surge suppressor filter)
Insulation resistance	≥ 300 MΩ @ 500VDC (PN→E)
Operating temperature	40°C / -25°C +85°C

*Image shown is for illustrative purpose only

Features and benefits

- | Filters available in single stage
- | All filters provide high attenuation performance.
- | All filters compliance to EN60939-3:2015 & EN60939-2:2005 standards.
- | High reliable
- | Easy and fast din rail mounting filter with compact size.
- | CRCA metal can with nickel plating provides good aesthetic and corrosion protection.
- | Filters available in medical version without capacitor to earth.
- | General purpose filters with low leakage current for safety critical application.
- | With surge suppressor filters also available.

Attenuation Type

Single Stage **Standard**

Applications

- | Consumer product
- | Defence application
- | Medical equipment
- | Industrial application
- | Automotive application
- | Weighting Machines
- | Printing Machinery
- | Electrical equipment application
- | Office automation equipment

Datasheet | EE07

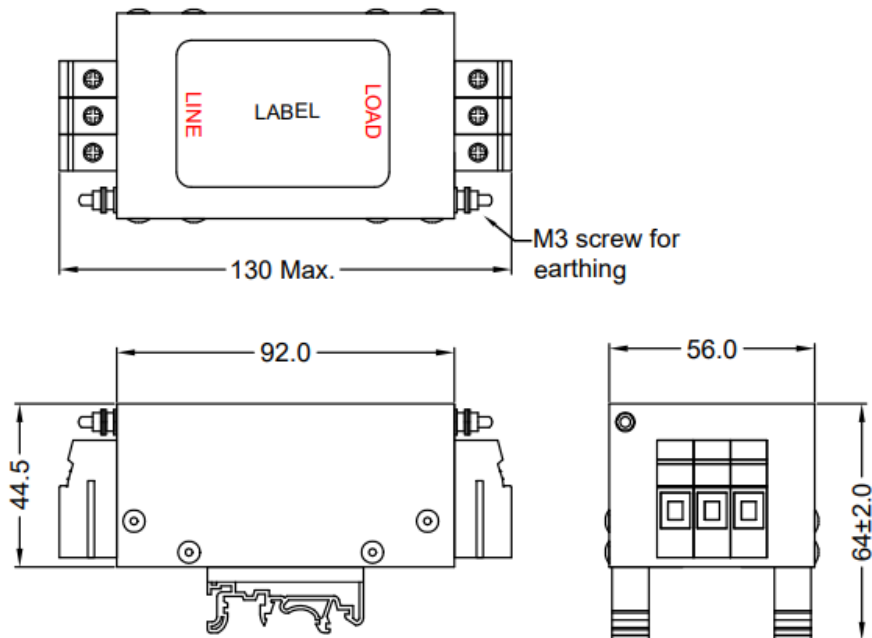
Three phase three wire



Mechanical details

El.italia EC-EE07 serie

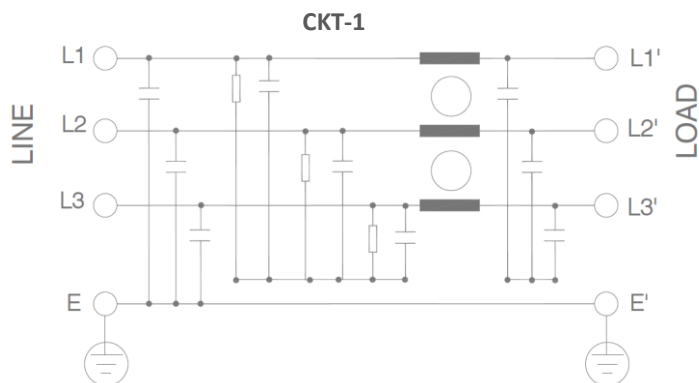
I For touch safe terminal



All dimensions in mm
General tolerance=±1mm

Electrical schematic for Single Stage Filter

General purpose –



Datasheet | EE07

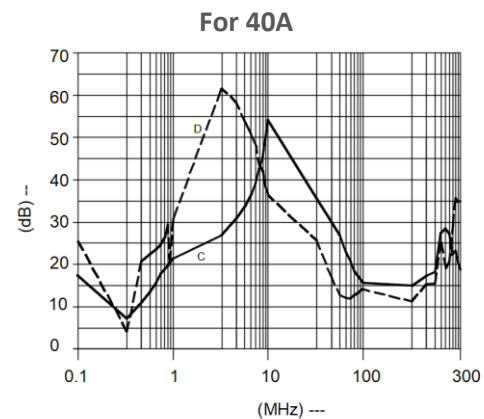
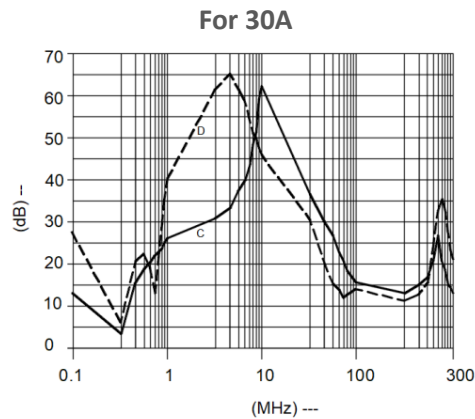
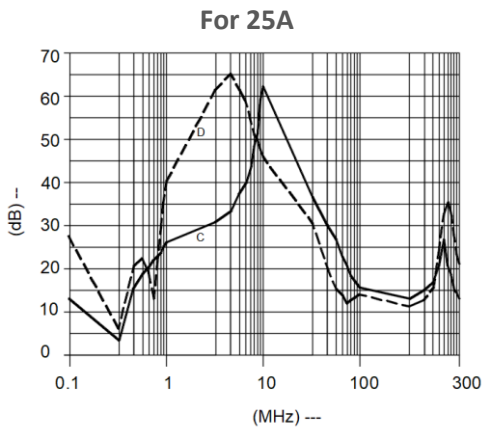
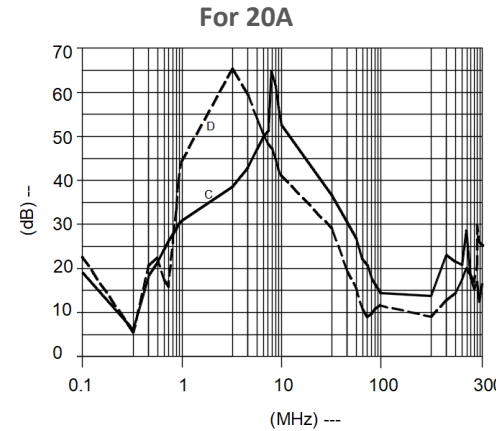
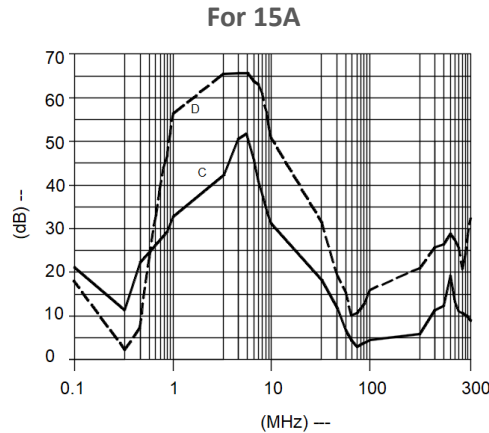
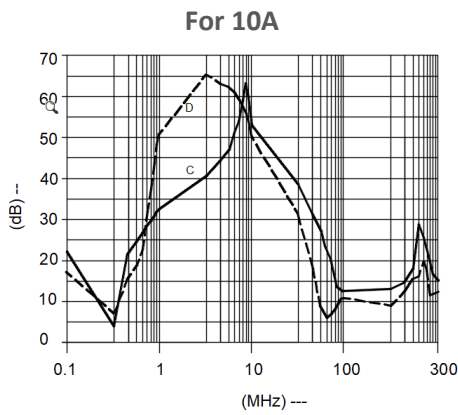
Three phase three wire




Filter attenuation Graph

C = Common mode (asymmetrical) —————

D = Differential mode (symmetrical) - - - - -



Filter Selection Table

Sr. No.	Elcom part codes (ordering code)	Rated Current rating (A) @40°C	Leakage current (mA) @440VAC	Terminals (X)	Approx. Weight (gm)	Attenuation
				Touch safe 		
1	EF-3A010F01G-E07	10	< 1.8	F	300	Standard
2	EF-3A015F01G-E07	15	< 1.8	F	300	Standard
3	EF-3A020F01G-E07	20	< 1.8	F	300	Standard
4	EF-3A025F01G-E07	25	< 1.8	F	300	Standard
5	EF-3A030F01G-E07	30	< 1.8	F	300	Standard
6	EF-3A040F01G-E07	40	< 1.8	F	300	Standard

Datasheet | EE07

Three phase three wire



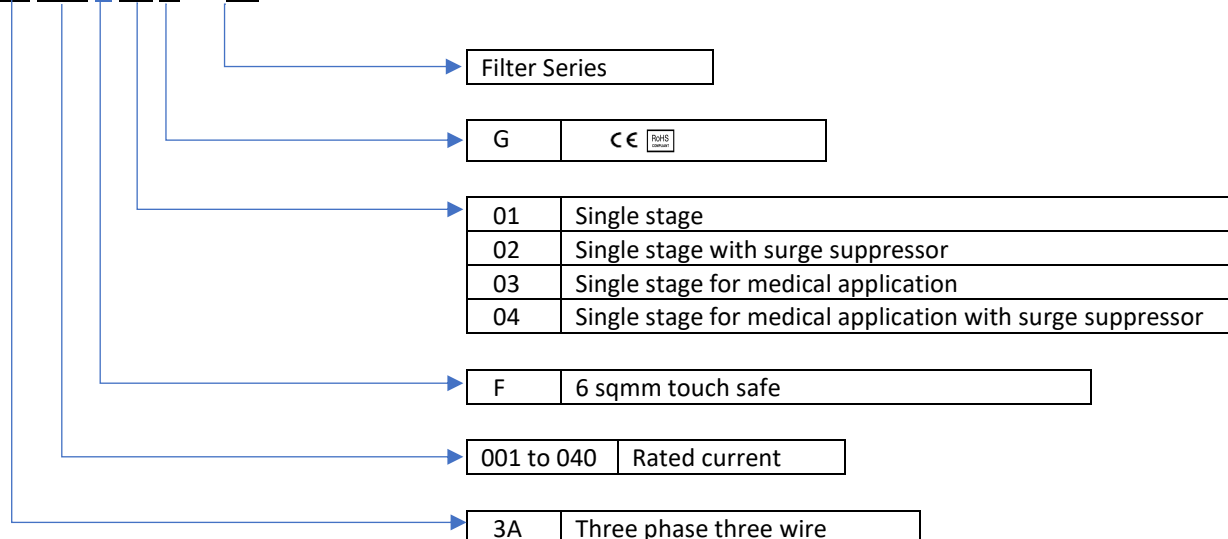
El.italia EC-EE07 serie

Connection Type

Current Rating (A)	Touch safe terminal	Earthing
1A-40A	6 sqmm	M3 screw terminal

Syntax

EF - 3A CCC X YY G - E07



- To compile complete part number, replace the 'X' with required I/O connection terminal. (e.g. EF-3A010E02G-E07).
- 6 sqmm touch safe terminal tightening torque 10.6-13 lbf.in
- Customize products provided on request.