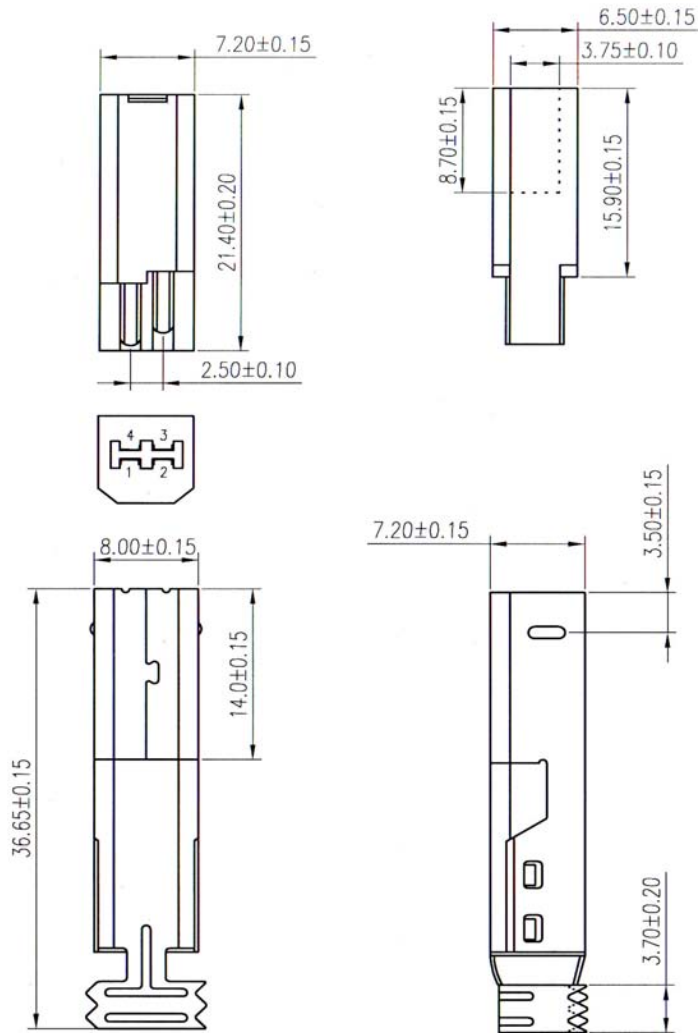


USB B TYPE MALE CONNECTOR CABLE SOLDER TYPE WITH LONG SHELL



SPECIFICATIONS

Current Rating: 1.0 Amperes
Contact Resistance: 25mΩ Max.
Insulation Resistance: 1000MΩ Min. at 500V
Dielectric Voltage: 1000V at 1 Minute
Operating Temperature: -55°C to +105°C

MATERIALS

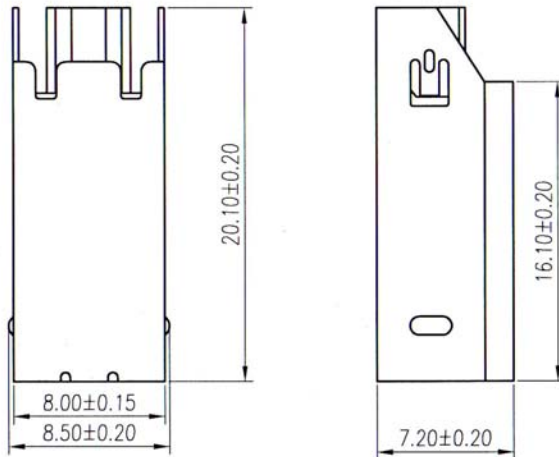
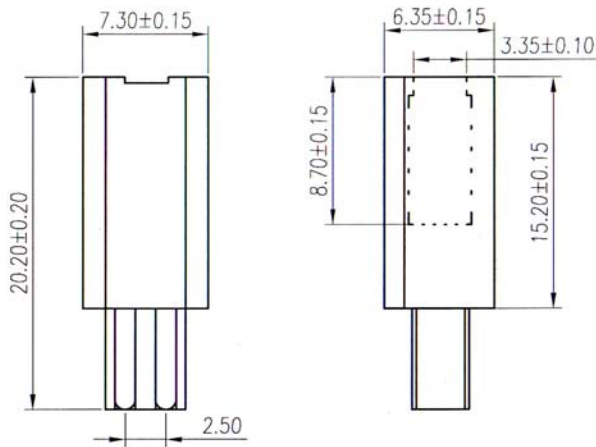
Insulator: PBT, UL94V-0 Rated
Contact: Brass
Shell: Brass, Steel
Contact Plating: Selective Gold Over Nickel Plated
Shell Plating: Tin Or Nickel Over Copper Plated
***RoHS & REACH compliant.**

ORDERING INFORMATION:

P/N U B 0 1 - $\frac{0}{1}$ $\frac{4}{2}$ $\frac{M}{3}$ $\frac{W}{4}$ x x

1. NO. OF CONTACTS:
04
2. CONNECTOR TYPE:
"M" MALE
3. INSULATOR COLOR:
"W" WHITE
4. CONTACT FINISH:
"01" GOLD FLASH
"30" 30 MICROINCH GOLD

USB B TYPE MALE CONNECTOR CABLE SOLDER TYPE WITH SHORT SHELL



SPECIFICATIONS

Current Rating: 1.0 Amperes
Contact Resistance: 25m Ω Max.
Insulation Resistance: 1000M Ω Min. at 500V
Dielectric Voltage: 1000V at 1 Minute
Operating Temperature: -55 $^{\circ}$ c to +105 $^{\circ}$ c

MATERIALS

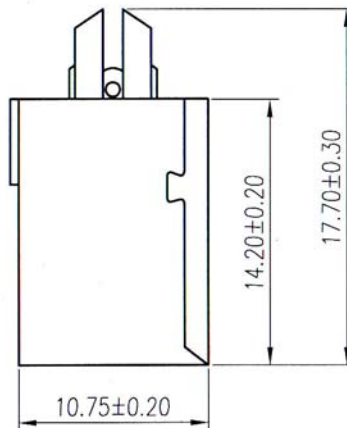
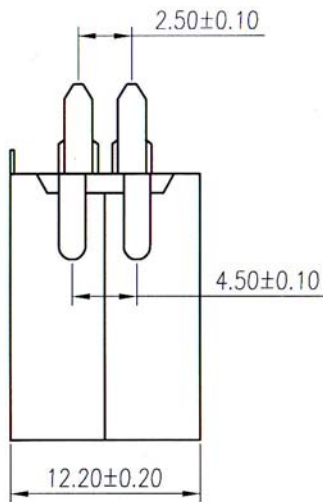
Insulator: PBT, UL94V-0 Rated
Contact: Brass
Shell: Brass, Steel
Contact Plating: Selective Gold Over Nickel Plated
Shell Plating: Tin Or Nickel Over Copper Plated
***RoHS & REACH compliant.**

ORDERING INFORMATION:

P/N U B 0 2 - $\frac{0}{1}$ $\frac{4}{2}$ $\frac{M}{3}$ $\frac{W}{4}$ x x

1. NO. OF CONTACTS:
04
2. CONNECTOR TYPE:
"M" MALE
3. INSULATOR COLOR:
"W" WHITE
4. CONTACT FINISH:
"01" GOLD FLASH
"30" 30 MICROINCH GOLD

USB B TYPE FEMALE CONNECTOR CABLE SOLDER TYPE

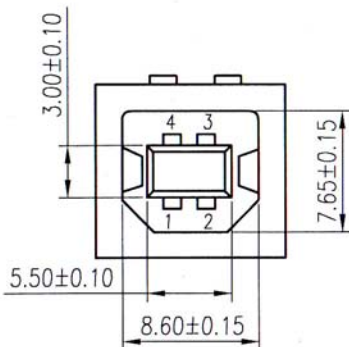


SPECIFICATIONS

Current Rating: 1.0 Amperes
Contact Resistance: 25mΩ Max.
Insulation Resistance: 1000MΩ Min. at 500V
Dielectric Voltage: 1000V at 1 Minute
Operating Temperature: -55°C to +105°C

MATERIALS

Insulator: PBT, UL94V-0 Rated
Contact: Brass
Shell: Brass, Steel
Contact Plating: Selective Gold Over Nickel Plated
Shell Plating: Tin Or Nickel Over Copper Plated
***RoHS & REACH compliant.**

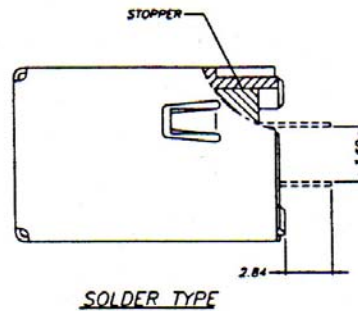
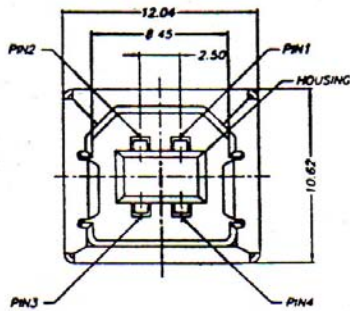
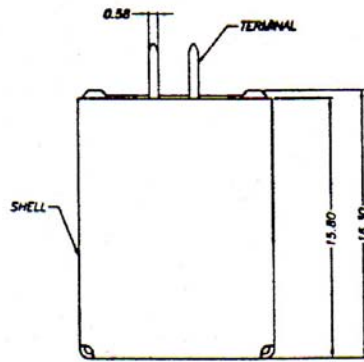


ORDERING INFORMATION:

P/N **U B 0 3 - 0 4 F W x x**
1 2 3 4

1. NO. OF CONTACTS:
04
2. CONNECTOR TYPE:
"F" FEMALE
3. INSULATOR COLOR:
"W" WHITE
4. CONTACT FINISH:
"01" GOLD FLASH
"30" 30 MICROINCH GOLD

USB B TYPE FEMALE CONNECTOR CABLE SOLDER TYPE



SPECIFICATIONS

Current Rating: 1.0 Amperes
Contact Resistance: 25mΩ Max.
Insulation Resistance: 1000MΩ Min. at 500V
Dielectric Voltage: 1000V at 1 Minute
Operating Temperature: -55°C to +105°C

MATERIALS

Insulator: PBT, UL94V-0 Rated
Contact: Brass
Shell: Brass, Steel
Contact Plating: Selective Gold Over Nickel Plated
Shell Plating: Tin Or Nickel Over Copper Plated
***RoHS & REACH compliant.**

ORDERING INFORMATION:

P/N U B 0 4 - $\frac{0}{1}$ $\frac{4}{2}$ $\frac{F}{3}$ $\frac{B}{4}$ x x

1. NO. OF CONTACTS:
04
2. CONNECTOR TYPE:
"F" FEMALE
3. INSULATOR COLOR:
"B" BLACK
4. CONTACT FINISH:
"30" 30 MICROINCH GOLD

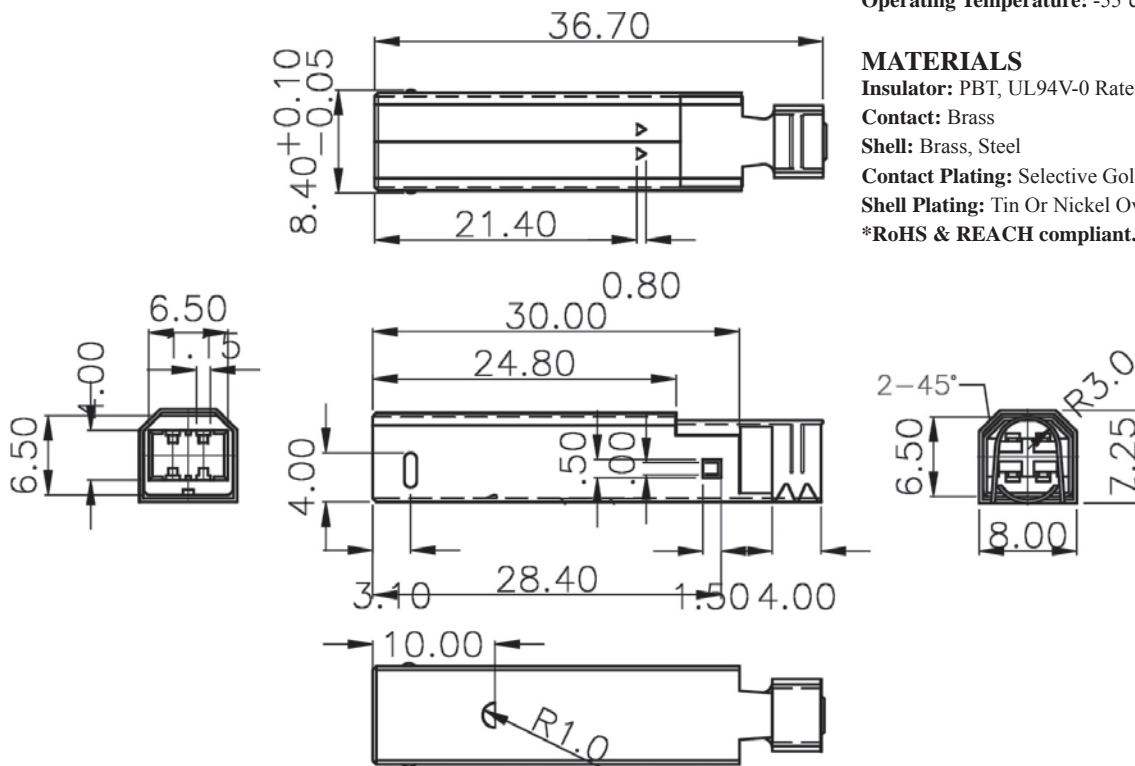
USB B TYPE MALE CONNECTOR CABLE SOLDER TYPE

SPECIFICATIONS

Current Rating: 1.0 Amperes
Contact Resistance: 25mΩ Max.
Insulation Resistance: 1000MΩ Min. at 500V
Dielectric Voltage: 1000V at 1 Minute
Operating Temperature: -55°C to +105°C

MATERIALS

Insulator: PBT, UL94V-0 Rated
Contact: Brass
Shell: Brass, Steel
Contact Plating: Selective Gold Over Nickel Plated
Shell Plating: Tin Or Nickel Over Copper Plated
***RoHS & REACH compliant.**

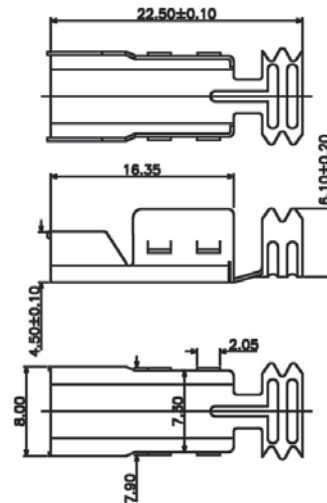
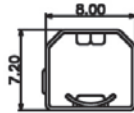
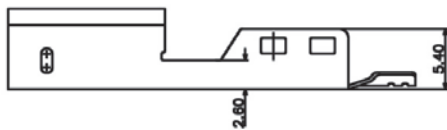
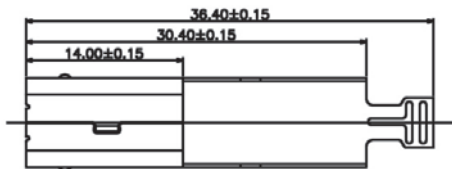
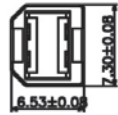
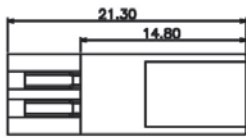
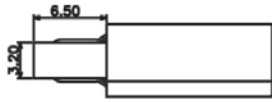


ORDERING INFORMATION:

P/N U B 0 5 - 0 4 M x x x
1 2 3 4

1. NO. OF POSITIONS:
04
2. CONNECTOR TYPE:
"M" MALE
3. INSULATOR COLOR:
"B" BLACK
"W" WHITE
4. CONTACT FINISH:
"01" GOLD FLASH
"30" 30 MICROINCH GOLD

USB B TYPE MALE CONNECTOR CABLE SOLDER TYPE



SPECIFICATIONS

Current Rating: 1.0 Amperes

Contact Resistance: 25mΩ Max.

Insulation Resistance: 1000MΩ Min. at 500V

Dielectric Voltage: 1000V at 1 Minute

Operating Temperature: -55°C to +105°C

MATERIALS

Insulator: PBT, UL94V-0 Rated

Contact: Brass

Shell: Brass, Steel

Contact Plating: Selective Gold Over Nickel Plated

Shell Plating: Tin Or Nickel Over Copper Plated

*RoHS & REACH compliant.

ORDERING INFORMATION:

P/N U B 0 7 - 0 4 M x x x
1 2 3 4

1. NO. OF POSITIONS:

04

2. CONNECTOR TYPE:

"M" MALE

3. INSULATOR COLOR:

"B" BLACK

"W" WHITE

4. CONTACT FINISH:

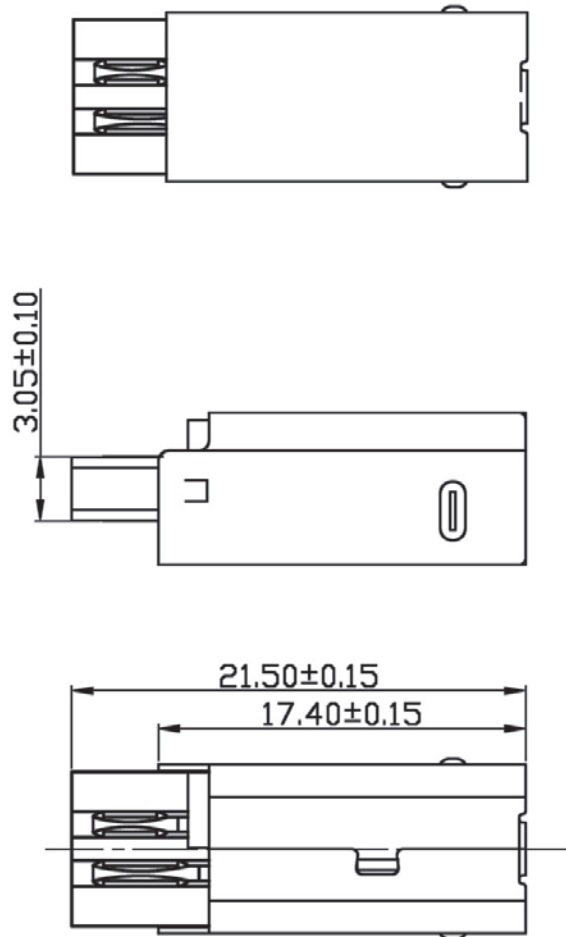
"01" GOLD FLASH

"03" 3 MICRINCH GOLD

"15" 15 MICRINCH GOLD

"30" 30 MICRINCH GOLD

USB B TYPE MALE CONNECTOR CABLE SOLDER TYPE



SPECIFICATIONS

Current Rating: 1.0 Amperes
Contact Resistance: 25mΩ Max.
Insulation Resistance: 1000MΩ Min. at 500V
Dielectric Voltage: 1000V at 1 Minute
Operating Temperature: -55°C to +105°C

MATERIALS

Insulator: PBT, UL94V-0 Rated
Contact: Brass
Shell: Brass, Steel
Contact Plating: Selective Gold Over Nickel Plated
Shell Plating: Tin Or Nickel Over Copper Plated
***RoHS & REACH compliant.**

ORDERING INFORMATION:

P/N U B 0 9 - $\frac{0}{1}$ $\frac{4}{2}$ $\frac{M}{3}$ $\frac{W}{4}$ $\frac{XX}{X}$

1. NO. OF POSITIONS:
04
2. CONNECTOR TYPE:
"M" MALE
3. INSULATOR COLOR:
"W" WHITE
4. CONTACT FINISH:
"01" GOLD FLASH