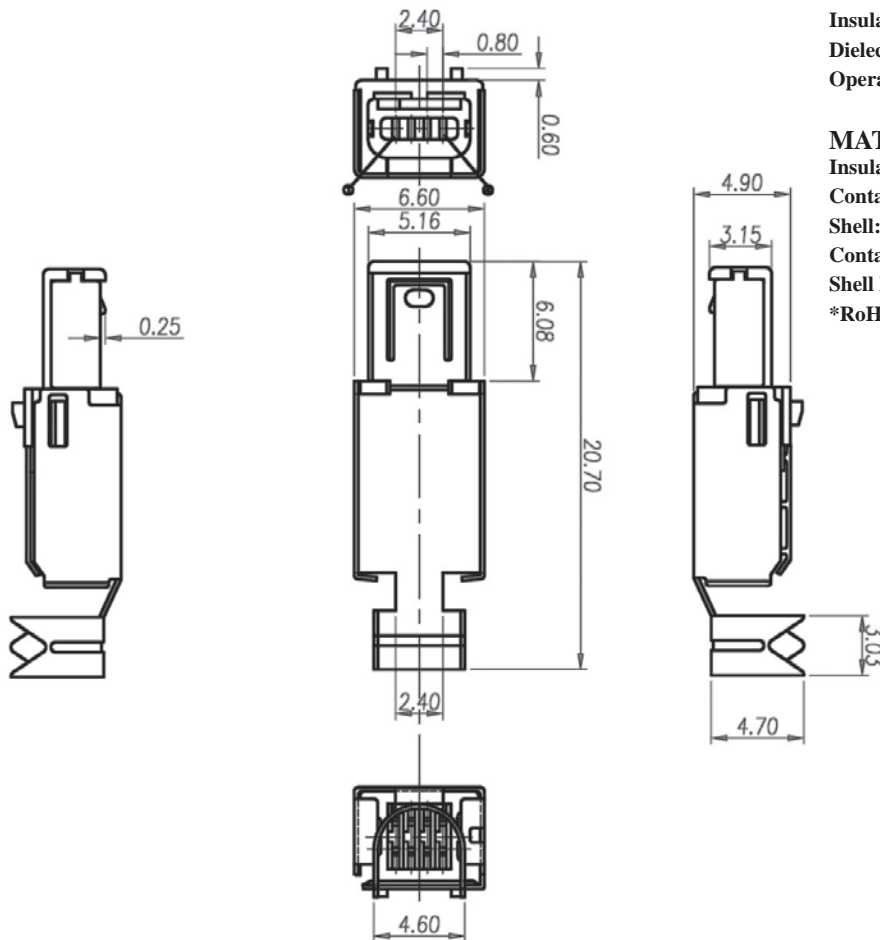


MINI USB 4 PIN B TYPE MALE CONNECTOR FOR CABLE ASSEMBLY



SPECIFICATIONS

Current Rating: 1.0 Amp

Contact Resistance: 25 Milliohm Max.

Insulation Resistance: 1000 Megohm Min. At 500V

Dielectric Withstanding: 1000V At 1 Minute

Operating Temperature: -55°C to +105°C

MATERIALS

Insulator: THERMOPLASTIC, UL94V-0 RATED

Contact: Brass

Shell: Brass, Steel

Contact Plating: Selective Gold Over Nickel Plated

Shell Plating: Tin Or Nickel Over Copper Plated

*RoHS & REACH compliant.

ORDERING INFORMATION:

P/N U M 0 2 - 0 4 M B 1 0
1 2 3 4

1. NO. OF CONTACTS:

04

2. CONNECTOR TYPE:

"M" MALE

3. INSULATOR COLOR:

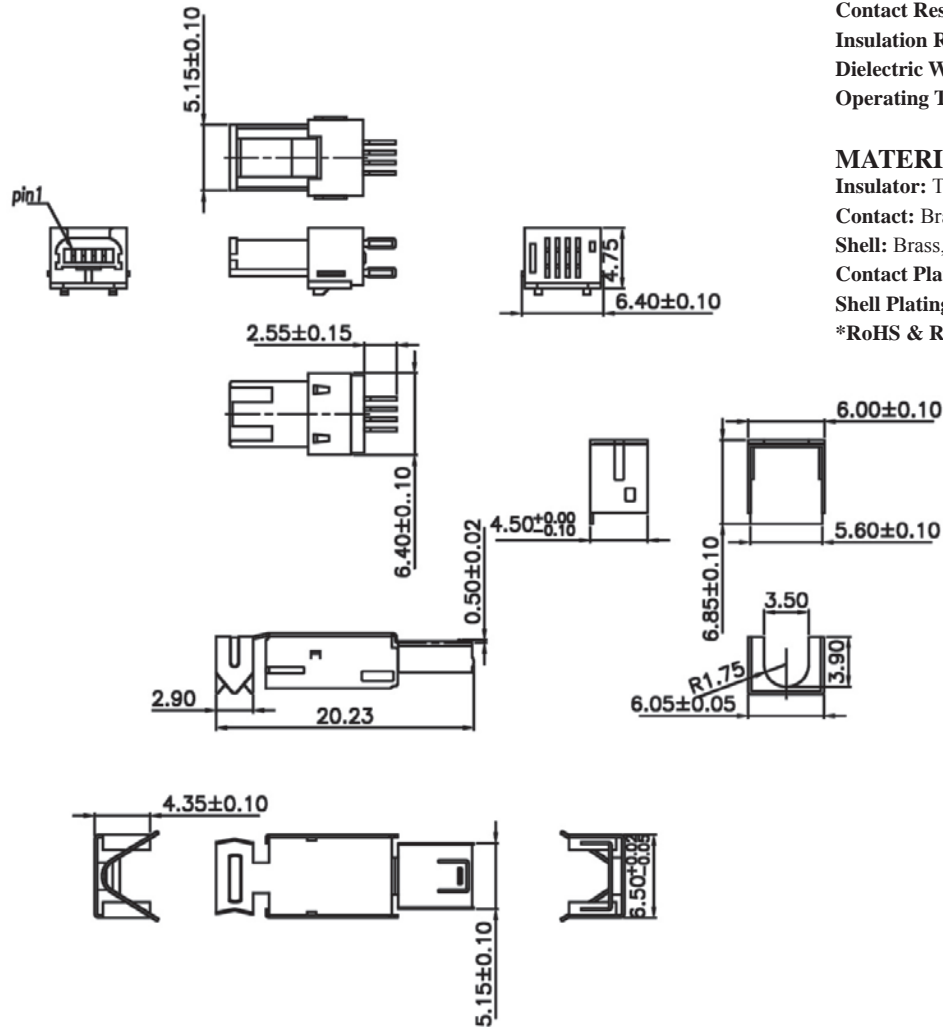
"B" BLACK

4. CONTACT FINISH:

"10" 10 MICROINCH GOLD

DRAWING REVISED

MINI USB A TYPE 4 PIN MALE CONNECTOR CABLE SOLDER TYPE



SPECIFICATIONS

Current Rating: 1.0 Amp

Contact Resistance: 25 Milliohm Max.

Insulation Resistance: 1000 Megohm Min. At 500V

Dielectric Withstanding: 1000V At 1 Minute

Operating Temperature: -55°C to +105°C

MATERIALS

Insulator: Thermoplastic, UL94V-0 Rated

Contact: Brass

Shell: Brass, Steel

Contact Plating: Selective Gold Over Nickel Plated

Shell Plating: Tin Or Nickel Over Copper Plated

*RoHS & REACH compliant.

ORDERING INFORMATION:

P/N U M 1 6 - 0 4 M x x x
 1 2 3 4

1. NO. OF CONTACTS:

04

2. CONNECTOR TYPE:

"M" MALE

3. INSULATOR COLOR:

"B" BLACK

"W" WHITE

4. CONTACT FINISH:

"03" 3 MICROINCH GOLD

"15" 15 MICROINCH GOLD

"30" 30 MICROINCH GOLD

"01" GOLD FLASH

MINI USB 4 PIN A TYPE MALE CONNECTOR FOR CABLE ASSEMBLY

SPECIFICATIONS

Current Rating: 1.0 Amp

Contact Resistance: 25 Milliohm Max.

Insulation Resistance: 1000 Megohm Min. At 500V

Dielectric Withstanding: 1000V At 1 Minute

Operating Temperature: -55°C to +105°C

MATERIALS

Insulator: THERMOPLASTIC, UL94V-0 RATED

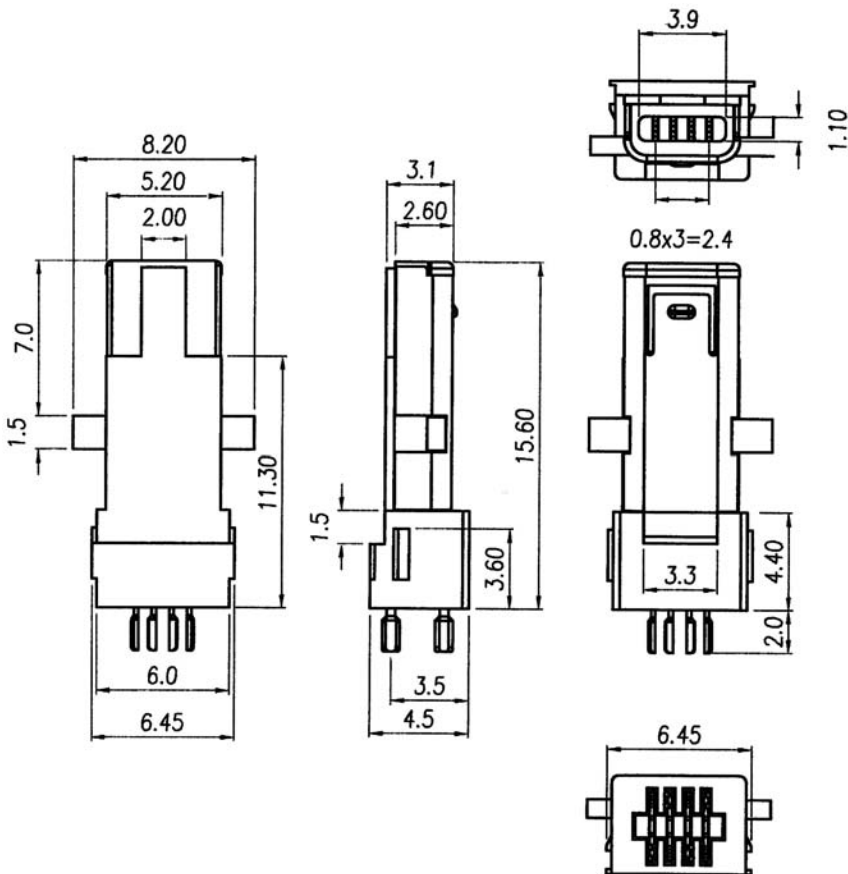
Contact: Brass

Shell: Brass, Steel

Contact Plating: Selective Gold Over Nickel Plated

Shell Plating: Tin Or Nickel Over Copper Plated

*RoHS & REACH compliant.



ORDERING INFORMATION:

P/N U M 1 7 - 0 4 M B 1 0
1 2 3 4

1. NO. OF CONTACTS:

04

2. CONNECTOR TYPE:

"M" MALE

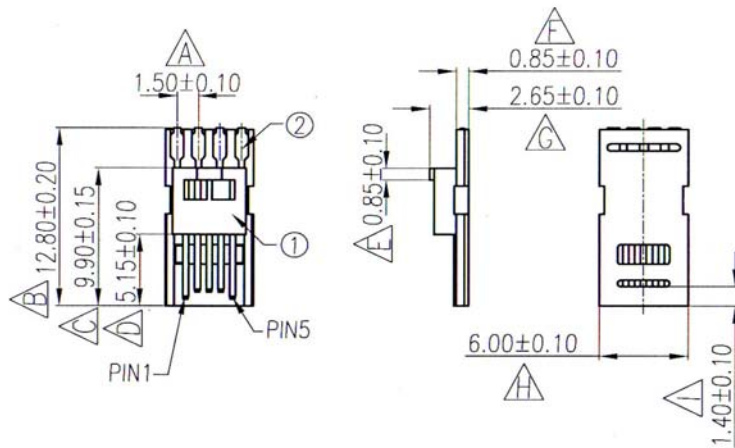
3. INSULATOR COLOR:

"B" BLACK

4. CONTACT FINISH:

"10" 10 MICROINCH GOLD

MINI USB B TYPE 5 PIN MALE CONNECTOR CABLE ASSEMBLY TYPE



SPECIFICATIONS

Current Rating: 1.0 Amp

Contact Resistance: 25 Milliohm Max.

Insulation Resistance: 1000 Megohm Min. At 500V

Dielectric Withstanding: 1000V At 1 Minute

Operating Temperature: -55°C to +105°C

MATERIALS

Insulator: THERMOPLASTIC, UL94V-0 RATED

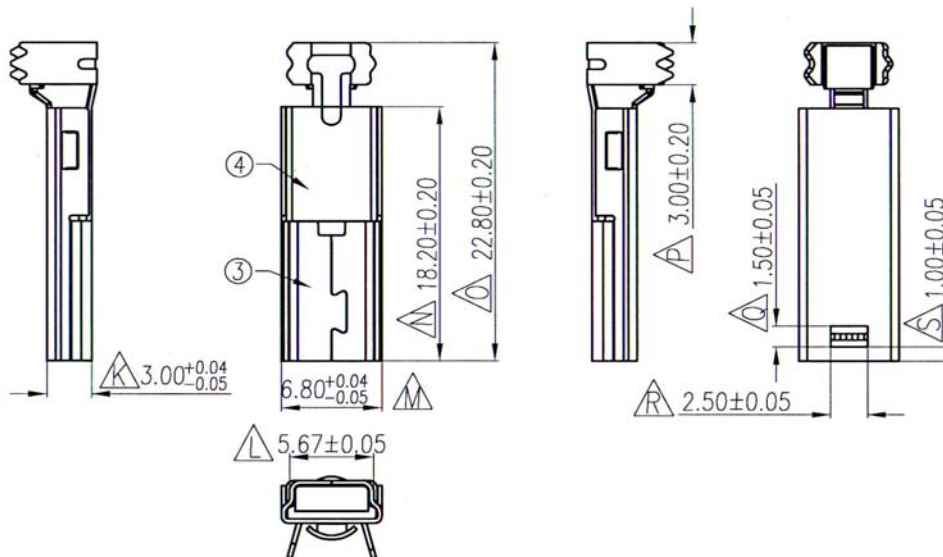
Contact: Brass

Shell: Brass, Steel

Contact Plating: Selective Gold Over Nickel Plated

Shell Plating: Tin Or Nickel Over Copper Plated

*RoHS & REACH compliant.



ORDERING INFORMATION:

P/N U M 0 3 - 0 5 M B x x
 1 2 3 4

1. NO. OF CONTACTS:

05

2. CONNECTOR TYPE:

"M" MALE

3. INSULATOR COLOR:

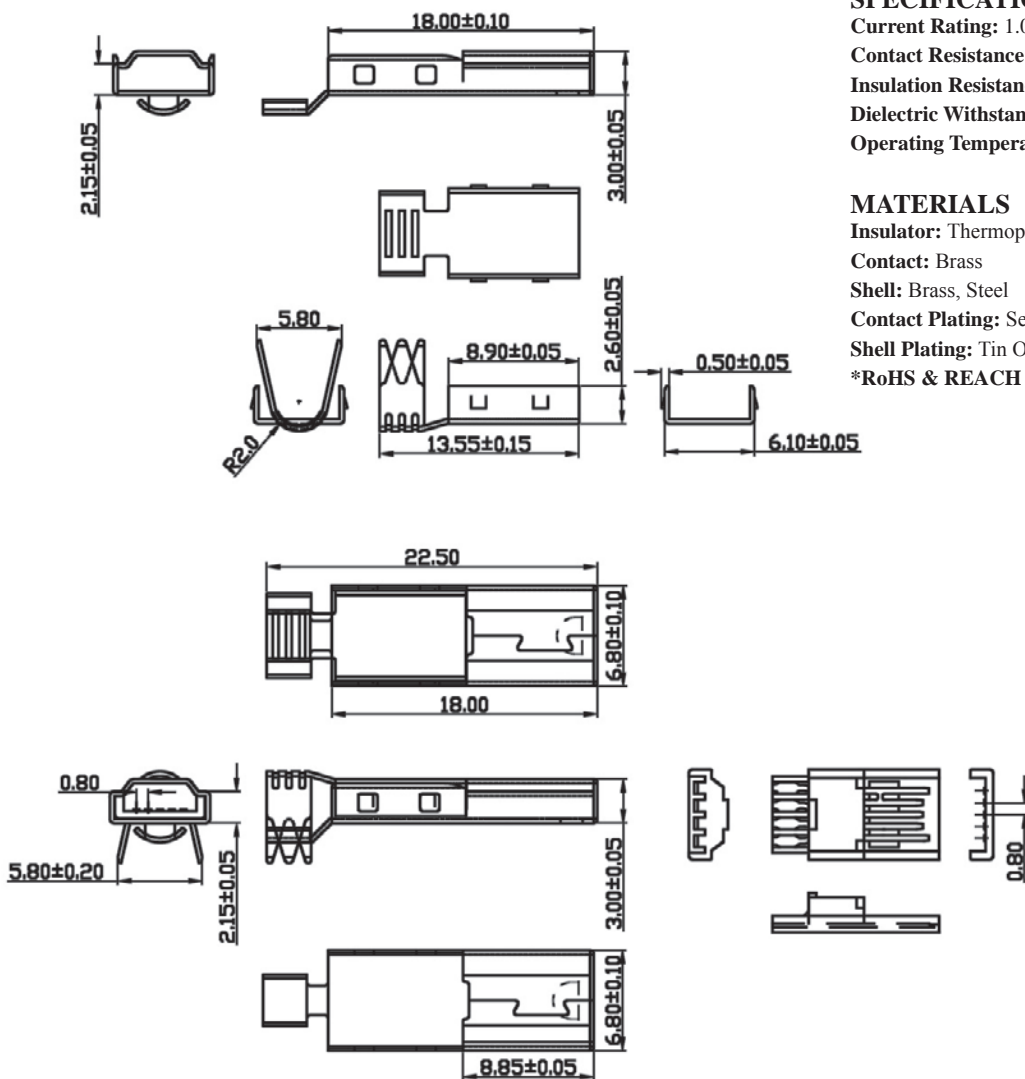
"B" BLACK

4. CONTACT FINISH:

"15" 15 MICROINCH GOLD

"30" 30 MICROINCH GOLD

MINI USB A TYPE 5 PIN MALE CONNECTOR CABLE SOLDER TYPE



SPECIFICATIONS

Current Rating: 1.0 Amp

Contact Resistance: 25 Milliohm Max.

Insulation Resistance: 1000 Megohm Min. At 500V

Dielectric Withstanding: 1000V At 1 Minute

Operating Temperature: -55°C to +105°C

MATERIALS

Insulator: Thermoplastic, UL94V-0 Rated

Contact: Brass

Shell: Brass, Steel

Contact Plating: Selective Gold Over Nickel Plated

Shell Plating: Tin Or Nickel Over Copper Plated

*RoHS & REACH compliant.

ORDERING INFORMATION:

P/N U M 0 4 - 0 5 M x x x
 1 2 3 4

1. NO. OF CONTACTS:

05

2. CONNECTOR TYPE:

"M" MALE

3. INSULATOR COLOR:

"B" BLACK

"W" WHITE

4. CONTACT FINISH:

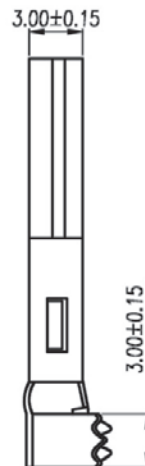
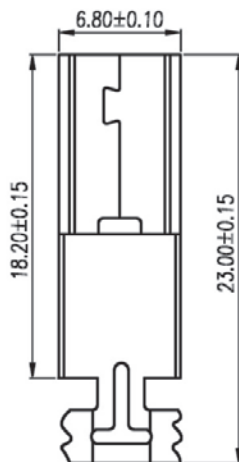
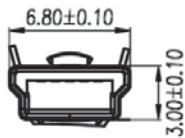
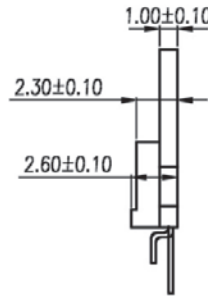
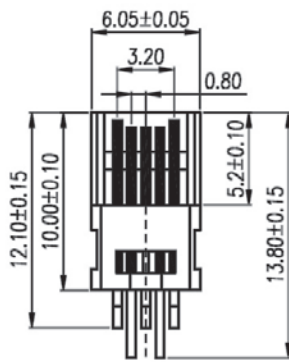
"03" 3 MICROINCH GOLD

"15" 15 MICROINCH GOLD

"30" 30 MICROINCH GOLD

"01" GOLD FLASH

MINI USB B TYPE 5 PIN MALE CONNECTOR CABLE SOLDER TYPE



SPECIFICATIONS

Current Rating: 1.0 Amp

Contact Resistance: 25 Milliohm Max.

Insulation Resistance: 1000 Megohm Min. At 500V

Dielectric Withstanding: 1000V At 1 Minute

Operating Temperature: -55°C to +105°C

MATERIALS

Insulator: Thermoplastic, UL94V-0 Rated

Contact: Brass

Shell: Brass, Steel

Contact Plating: Selective Gold Over Nickel Plated

Shell Plating: Tin Or Nickel Over Copper Plated

***RoHS & REACH compliant.**

ORDERING INFORMATION:

P/N U M 0 5 - 0 5 M B x x
1 2 3 4

1. NO. OF CONTACTS:

05

2. CONNECTOR TYPE:

"M" MALE

3. INSULATOR COLOR:

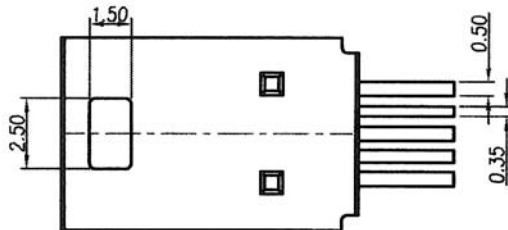
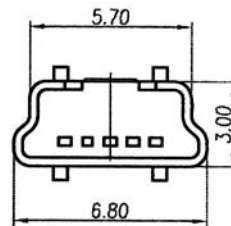
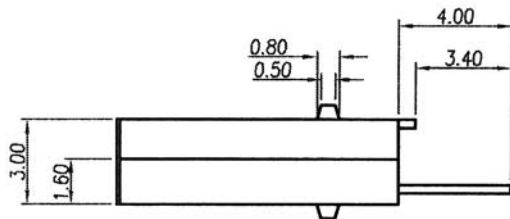
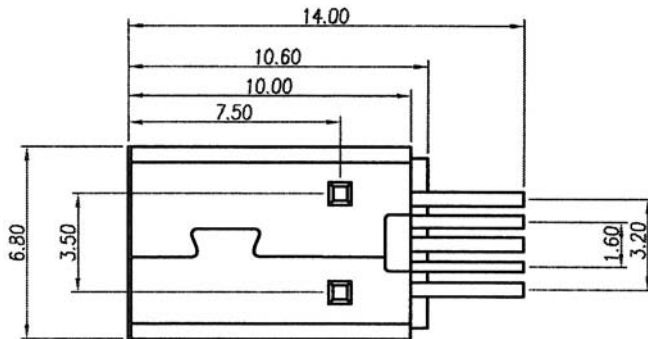
"B" BLACK

4. CONTACT FINISH:

"01" GOLD FLASH

"30" 30 MICROINCH GOLD

MINI USB B TYPE 5 PIN MALE CONNECTOR FOR CABLE ASSEMBLY



SPECIFICATIONS

Current Rating: 1.0 Amp

Contact Resistance: 25 Milliohm Max.

Insulation Resistance: 1000 Megohm Min. At 500V

Dielectric Withstanding: 1000V At 1 Minute

Operating Temperature: -55°C to +105°C

MATERIALS

Insulator: THERMOPLASTIC, UL94V-0 RATED

Contact: Brass

Shell: Brass, Steel

Contact Plating: Selective Gold Over Nickel Plated

Shell Plating: Tin Or Nickel Over Copper Plated

*RoHS & REACH compliant.

ORDERING INFORMATION:

P/N U M 4 5 - 0 5 M B 1 0
1 2 3 4

1. NO. OF CONTACTS:

05

2. CONNECTOR TYPE:

"M" MALE

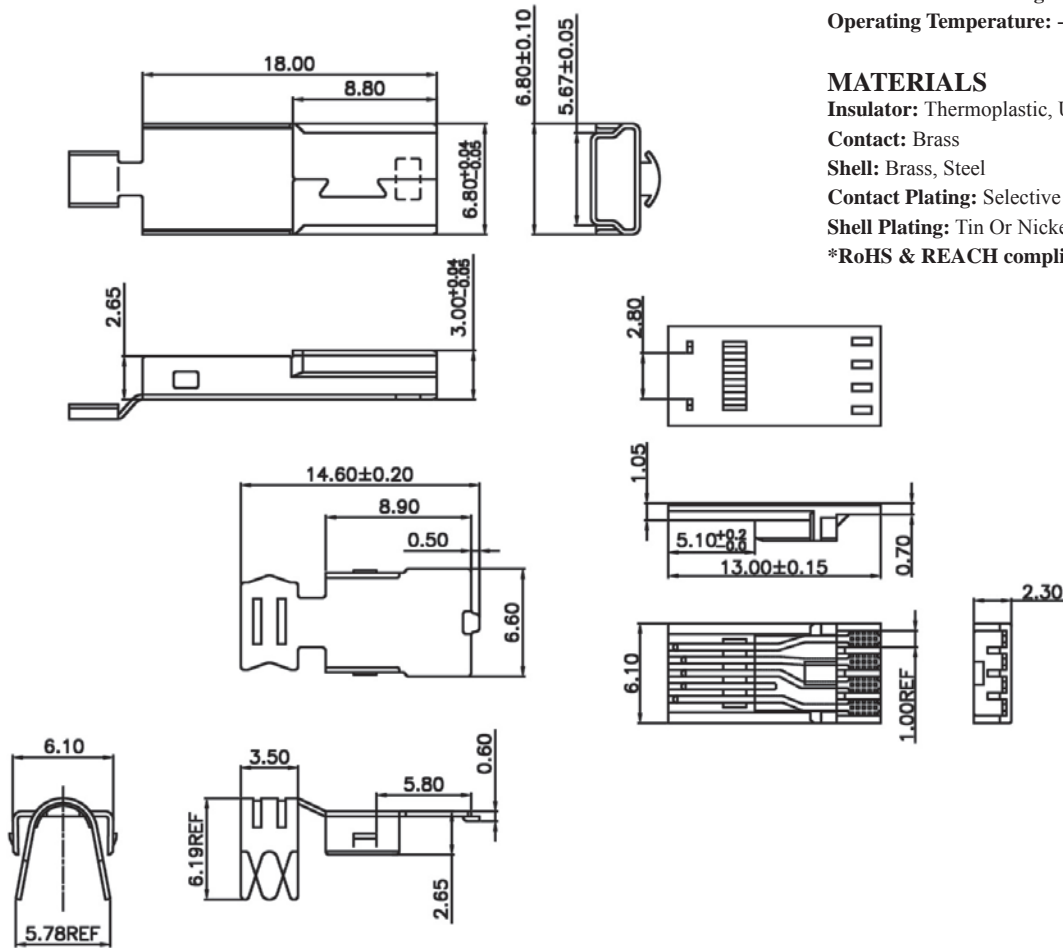
3. INSULATOR COLOR:

"B" BLACK

4. CONTACT FINISH:

"10" 10 MICROINCH GOLD

MINI USB B TYPE 5 PIN MALE CONNECTOR CABLE SOLDER TYPE OD=4.0MM



SPECIFICATIONS

Current Rating: 1.0 Amp

Contact Resistance: 25 Milliohm Max.

Insulation Resistance: 1000 Megohm Min. At 500V

Dielectric Withstanding: 1000V At 1 Minute

Operating Temperature: -55°C to +105°C

MATERIALS

Insulator: Thermoplastic, UL94V-0 Rated

Contact: Brass

Shell: Brass, Steel

Contact Plating: Selective Gold Over Nickel Plated

Shell Plating: Tin Or Nickel Over Copper Plated

***RoHS & REACH compliant.**

ORDERING INFORMATION:

P/N U M 4 6 - 0 5 M B x x
 1 2 3 4

1. NO. OF CONTACTS:

05

2. CONNECTOR TYPE:

"M" MALE

3. INSULATOR COLOR:

"B" BLACK

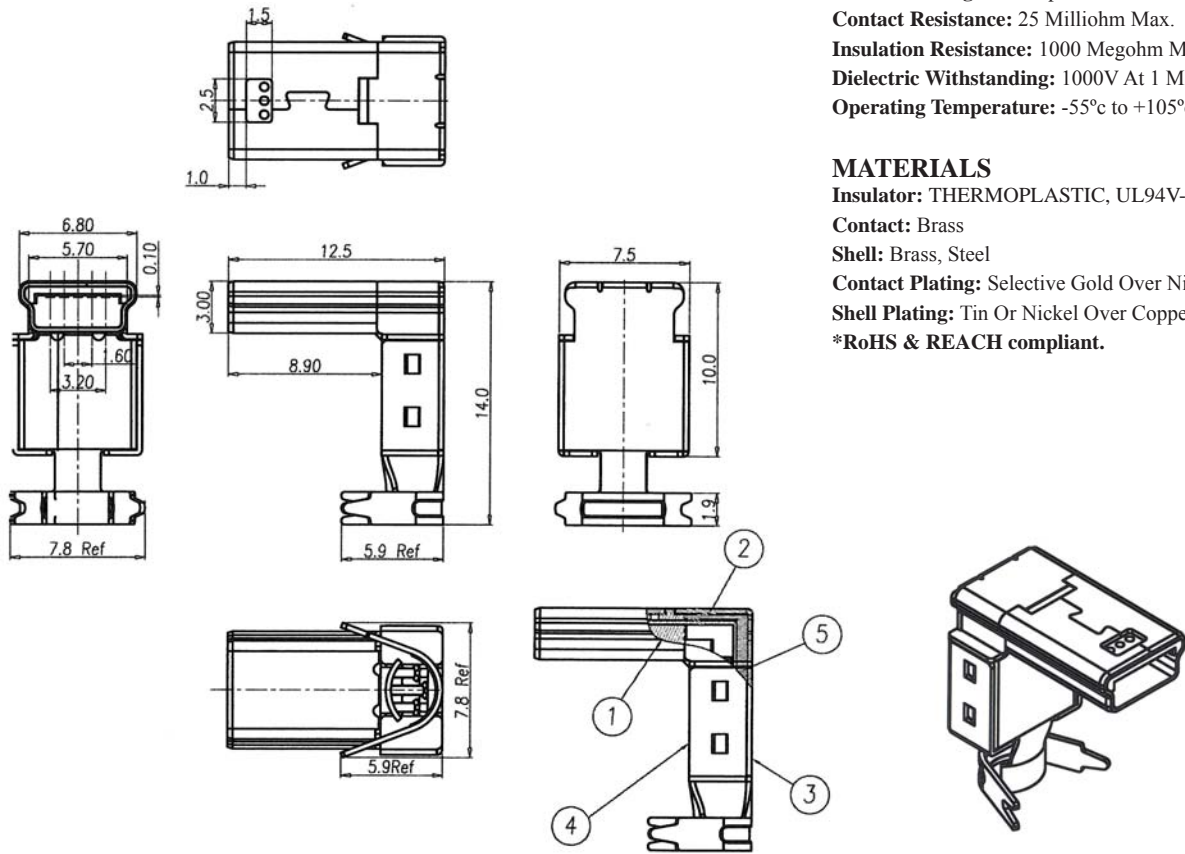
4. CONTACT FINISH:

"01" GOLD FLASH

"15" 15 MICROINCH GOLD

"30" 30 MICROINCH GOLD

MINI USB B TYPE 5 PIN MALE CONNECTOR RIGHT ANGLE TYPE FOR CABLE ASSEMBLY



SPECIFICATIONS

Current Rating: 1.0 Amp

Contact Resistance: 25 Milliohm Max.

Insulation Resistance: 1000 Megohm Min. At 500V

Dielectric Withstanding: 1000V At 1 Minute

Operating Temperature: -55°C to +105°C

MATERIALS

Insulator: THERMOPLASTIC, UL94V-0 RATED

Contact: Brass

Shell: Brass, Steel

Contact Plating: Selective Gold Over Nickel Plated

Shell Plating: Tin Or Nickel Over Copper Plated

*RoHS & REACH compliant.

ORDERING INFORMATION:

P/N U M 3 6 - 0 5 M B 0 5
 1 2 3 4

1. NO. OF CONTACTS:

05

2. CONNECTOR TYPE:

"M" MALE

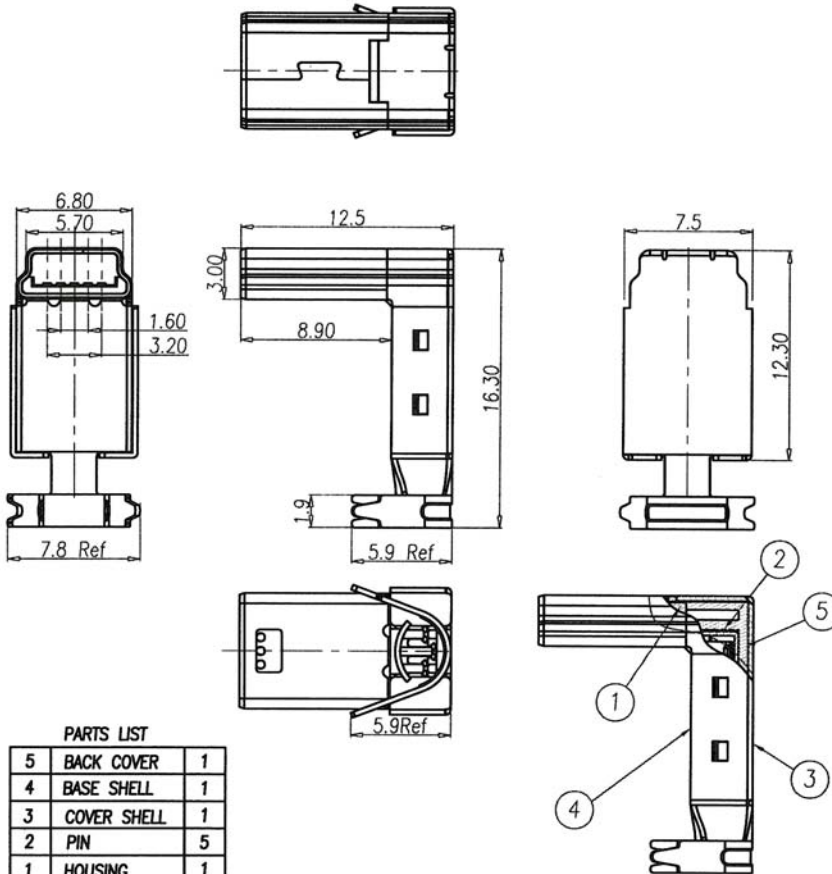
3. INSULATOR COLOR:

"B" BLACK

4. CONTACT FINISH:

"05" 5 MICROINCH GOLD

MINI USB B TYPE 5 PIN MALE CONNECTOR RIGHT ANGLE TYPE FOR CABLE ASSEMBLY



PARTS LIST

NO.	DESCRIPTION	Q'TY
5	BACK COVER	1
4	BASE SHELL	1
3	COVER SHELL	1
2	PIN	5
1	HOUSING	1

SPECIFICATIONS

Current Rating: 1.0 Amp

Contact Resistance: 25 Milliohm Max.

Insulation Resistance: 1000 Megohm Min. At 500V

Dielectric Withstanding: 1000V At 1 Minute

Operating Temperature: -55°C to +105°C

MATERIALS

Insulator: THERMOPLASTIC, UL94V-0 RATED

Contact: Brass

Shell: Brass, Steel

Contact Plating: Selective Gold Over Nickel Plated

Shell Plating: Tin Or Nickel Over Copper Plated

***RoHS & REACH compliant.**

ORDERING INFORMATION:

P/N U M 3 7 - 0 5 M B 0 5
 1 2 3 4

1. NO. OF CONTACTS:

05

2. CONNECTOR TYPE:

"M" MALE

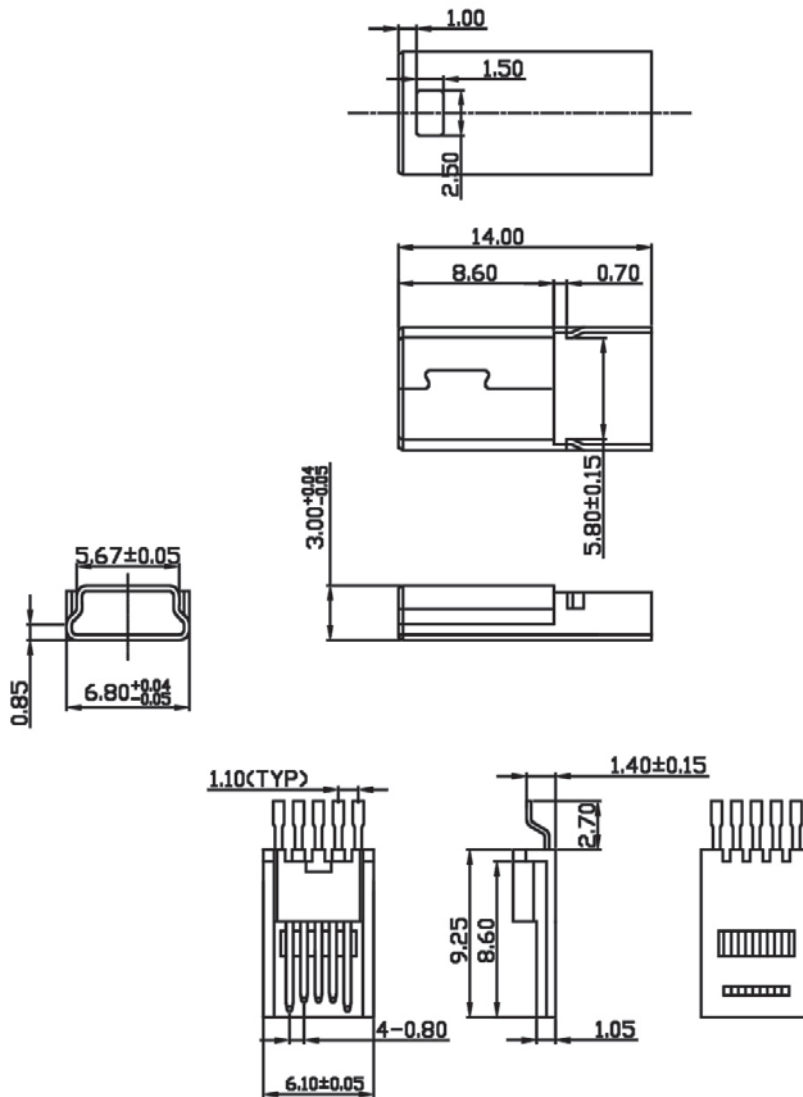
3. INSULATOR COLOR:

"B" BLACK

4. CONTACT FINISH:

"05" 5 MICROINCH GOLD

MINI USB B TYPE 5 PIN MALE CONNECTOR CABLE SOLDER TYPE



SPECIFICATIONS

Current Rating: 1.0 Amp

Contact Resistance: 25 Milliohm Max.

Insulation Resistance: 1000 Megohm Min. At 500V

Dielectric Withstanding: 1000V At 1 Minute

Operating Temperature: -55°C to +105°C

MATERIALS

Insulator: Thermoplastic, UL94V-0 Rated

Contact: Brass

Shell: Brass, Steel

Contact Plating: Selective Gold Over Nickel Plated

Shell Plating: Tin Or Nickel Over Copper Plated

***RoHS & REACH compliant.**

ORDERING INFORMATION:

P/N U M 7 8 - $\frac{0}{1}$ $\frac{5}{2}$ $\frac{M}{3}$ $\frac{B}{4}$ x x

1. NO. OF CONTACTS:

05

2. CONNECTOR TYPE:

"M" MALE

3. INSULATOR COLOR:

"B" BLACK

4. CONTACT FINISH:

"03" 3 MICROINCH GOLD

"15" 15 MICROINCH GOLD

"30" 30 MICROINCH GOLD

"01" GOLD FLASH

MINI USB 8 PIN MALE CONNECTOR CABLE SOLDER TYPE

SPECIFICATIONS

Current Rating: 1.0 Amp

Contact Resistance: 25 Milliohm Max.

Insulation Resistance: 1000 Megohm Min. At 500V

Dielectric Withstanding: 1000V At 1 Minute

Operating Temperature: -55°C to +105°C

MATERIALS

Insulator: Thermoplastic, UL94V-0 Rated

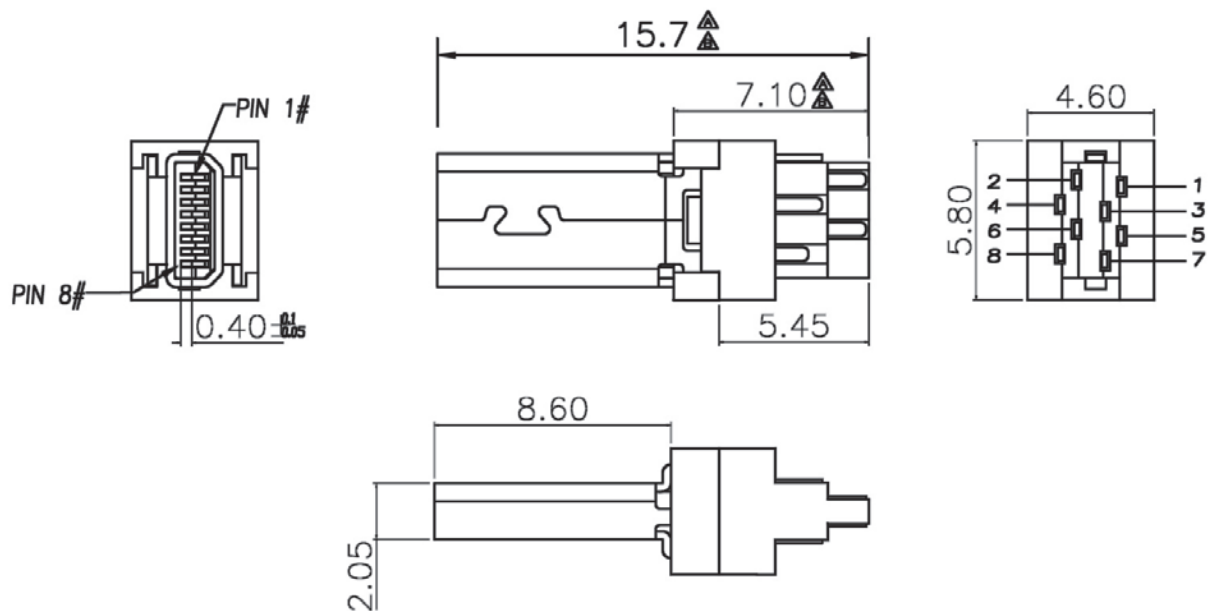
Contact: Brass

Shell: Brass, Steel

Contact Plating: Selective Gold Over Nickel Plated

Shell Plating: Tin Or Nickel Over Copper Plated

*RoHS & REACH compliant.



ORDERING INFORMATION:

P/N U M 8 1 - 0 8 M B x x
1 2 3 4

DRAWING REVISED

1. NO. OF CONTACTS:

08

2. CONNECTOR TYPE:

"M" MALE

3. INSULATOR COLOR:

"B" BLACK

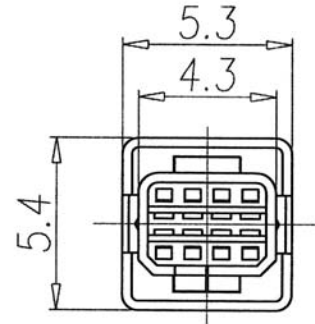
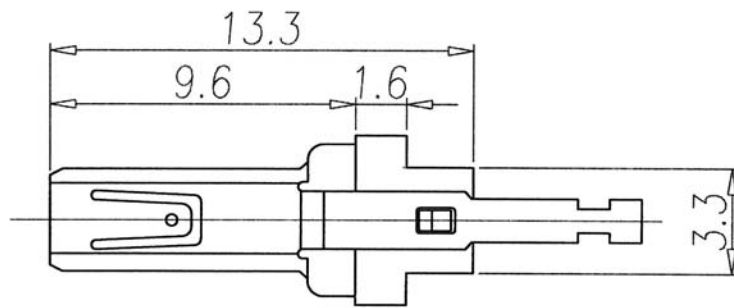
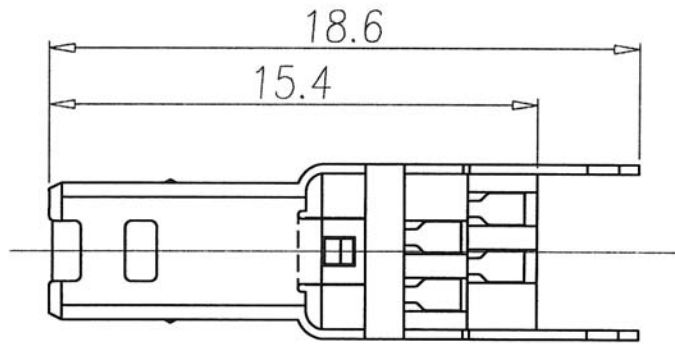
4. CONTACT FINISH:

"01" GOLD FLASH

"10" 10 MICROINCH GOLD

"30" 30 MICROINCH GOLD

MINI USB 8 PIN MALE CONNECTOR FOR CABLE ASSEMBLY



SPECIFICATIONS

Current Rating: 1.0 Amp

Contact Resistance: 25 Milliohm Max.

Insulation Resistance: 1000 Megohm Min. At 500V

Dielectric Withstanding: 1000V At 1 Minute

Operating Temperature: -55°C to +105°C

MATERIALS

Insulator: THERMOPLASTIC, UL94V-0 RATED

Contact: Brass

Shell: Brass, Steel

Contact Plating: Selective Gold Over Nickel Plated

Shell Plating: Tin Or Nickel Over Copper Plated

*RoHS & REACH compliant.

ORDERING INFORMATION:

P/N U M 8 3 - 0 8 M B 0 3
1 2 3 4

1. NO. OF CONTACTS:

08

2. CONNECTOR TYPE:

"M" MALE

3. INSULATOR COLOR:

"B" BLACK

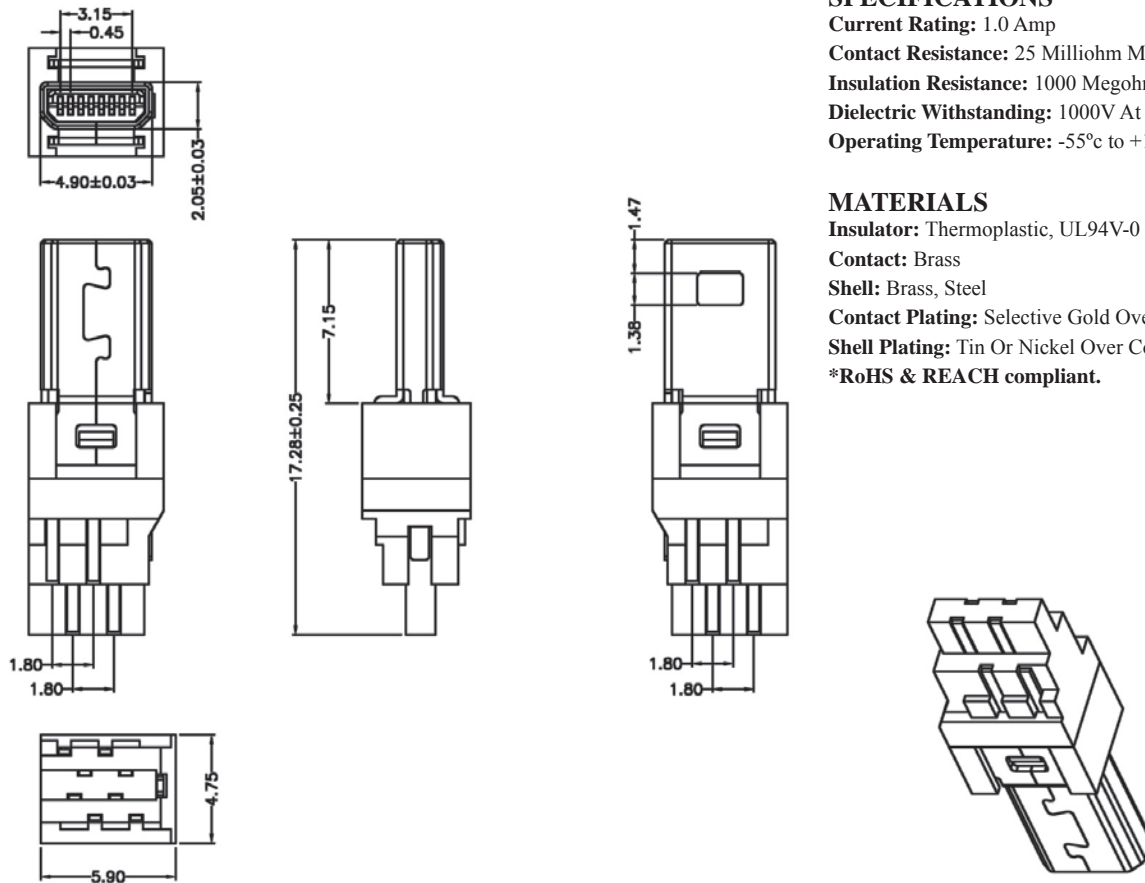
4. CONTACT FINISH:

"03" 3 MICRINCH GOLD

DRAWING REVISED

P/N REVISED

MINI USB 8 PIN MALE CONNECTOR CABLE SOLDER TYPE



SPECIFICATIONS

Current Rating: 1.0 Amp

Contact Resistance: 25 Milliohm Max.

Insulation Resistance: 1000 Megohm Min. At 500V

Dielectric Withstanding: 1000V At 1 Minute

Operating Temperature: -55°C to +105°C

MATERIALS

Insulator: Thermoplastic, UL94V-0 Rated

Contact: Brass

Shell: Brass, Steel

Contact Plating: Selective Gold Over Nickel Plated

Shell Plating: Tin Or Nickel Over Copper Plated

***RoHS & REACH compliant.**

ORDERING INFORMATION:

P/N U M 5 5 - 0 8 M B x x
1 2 3 4

1. NO. OF CONTACTS:

08

2. CONNECTOR TYPE:

"M" MALE

3. INSULATOR COLOR:

"B" BLACK

4. CONTACT FINISH:

"01" GOLD FLASH

"03" 03 MICROINCH GOLD

"15" 15 MICROINCH GOLD

"30" 30 MICROINCH GOLD

MINI USB 10 PIN MALE CONNECTOR CABLE SOLDER TYPE

SPECIFICATIONS

Current Rating: 1.0 Amperes

Contact Resistance: 25mΩ Max.

Insulation Resistance: 1000MΩ Min. at 500V

Dielectric Voltage: 1000V at 1 Minute

Operating Temperature: -55°C to +105°C

MATERIALS

Insulator: THERMOPLASTIC, UL94V-0 Rated

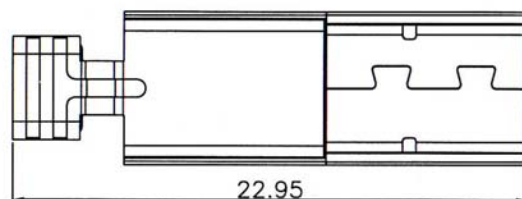
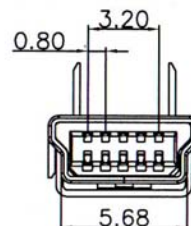
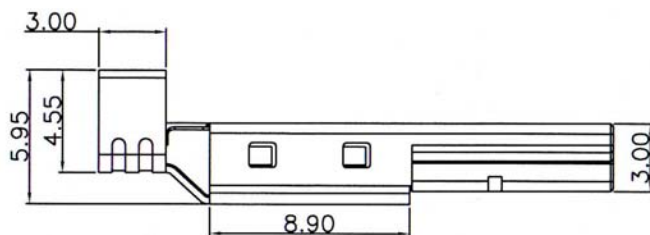
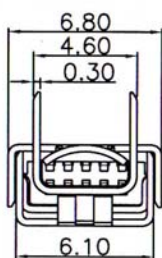
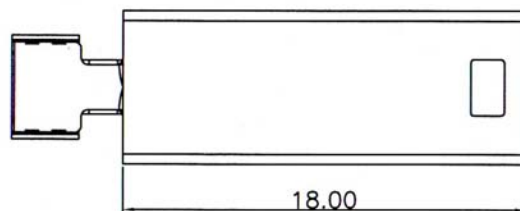
Contact: Brass

Shell: Brass, Steel

Contact Plating: Selective Gold Over Nickel Plated

Shell Plating: Tin or Nickel Over Copper Plated

***RoHS & REACH compliant.**



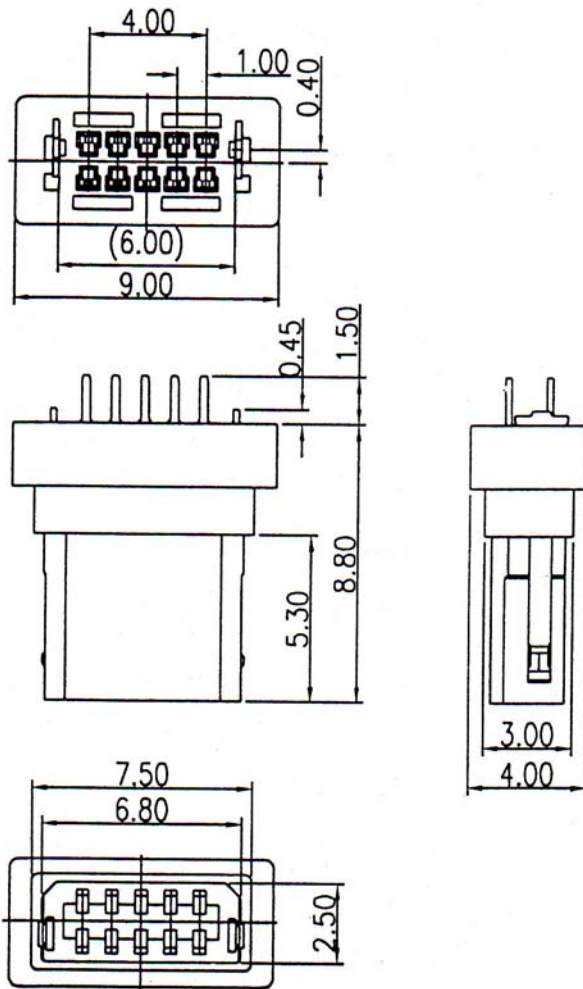
ORDERING INFORMATION:

P/N U M 8 0 - $\frac{1}{1}$ $\frac{0}{2}$ $\frac{M}{3}$ $\frac{B}{4}$ x x

1. NO. OF CONTACTS:
10
2. CONNECTOR TYPE:
"M" MALE
3. INSULATOR COLOR:
"B" BLACK
4. CONTACT FINISH:
"10" 10 MICROINCH GOLD
"30" 30 MICROINCH GOLD

NOTE: MATES WITH UM94, UM95, UM96,
UM97, UM98 & UM99

MINI USB 10 PIN MALE CONNECTOR CABLE SOLDER TYPE



SPECIFICATIONS

Current Rating: 1.0 Amp

Contact Resistance: 25 Milliohm Max.

Insulation Resistance: 1000 Megohm Min. At 500V

Dielectric Withstanding: 1000V At 1 Minute

Operating Temperature: -55°C to +105°C

MATERIALS

Insulator: THERMOPLASTIC, UL94V-0 RATED

Contact: Brass

Shell: Brass, Steel

Contact Plating: Selective Gold Over Nickel Plated

Shell Plating: Tin Or Nickel Over Copper Plated

*RoHS & REACH compliant.

ORDERING INFORMATION:

P/N U M 9 1 - $\frac{1}{1}$ $\frac{0}{2}$ $\frac{M}{3}$ $\frac{B}{4}$ x x

P/N REVISED

1. NO. OF CONTACTS:

10

2. CONNECTOR TYPE:

"M" MALE

3. INSULATOR COLOR:

"B" BLACK

4. CONTACT FINISH:

"05" 5 MICROINCH GOLD

"10" 10 MICROINCH GOLD

"30" 30 MICROINCH GOLD