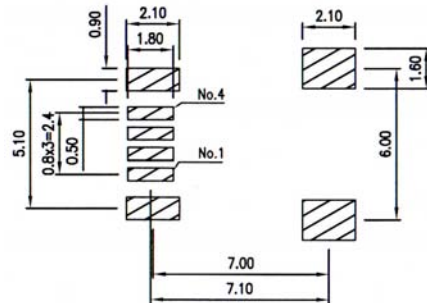


# MINI USB B TYPE 4 PIN FEMALE CONNECTOR SMT TYPE



Recommended P.C.Board Layout

## SPECIFICATIONS

**Current Rating:** 1.0 Amp

**Contact Resistance:** 25 Milliohm Max.

**Insulation Resistance:** 1000 Megohm Min. At 500V

**Dielectric Withstanding:** 1000V At 1 Minute

**Operating Temperature:** -55°C to +105°C

## MATERIALS

**Insulator:** Thermoplastic, UL94V-0 Rated

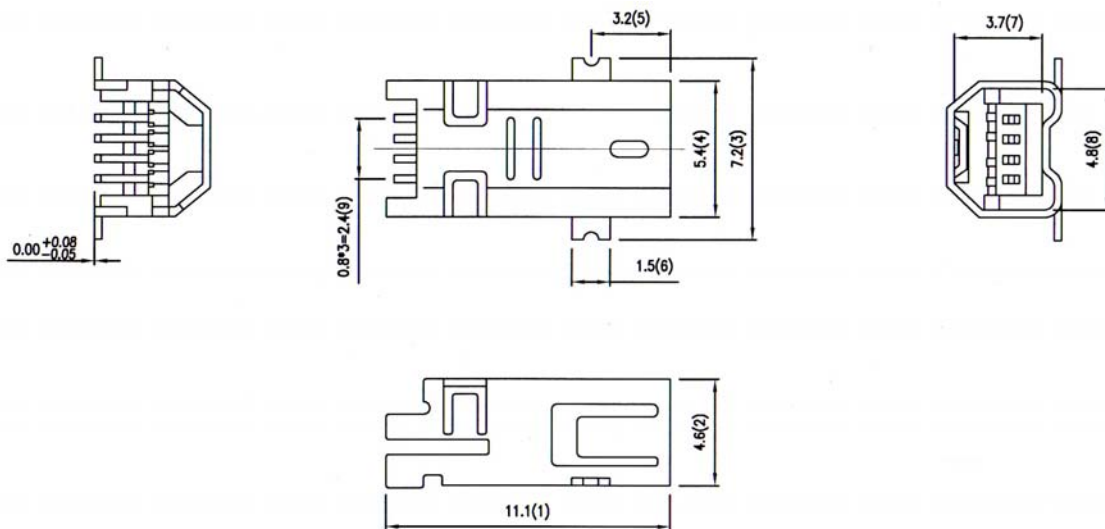
**Contact:** Brass

**Shell:** Brass, Steel

**Contact Plating:** Selective Gold Over Nickel Plated

**Shell Plating:** Tin Or Nickel Over Copper Plated

\*RoHS & REACH compliant.



## ORDERING INFORMATION:

P/N U M 5 1 - 0 4 F B x x  
 1 2 3 4

1. NO. OF CONTACTS:

04

2. CONNECTOR TYPE:

"F" FEMALE

3. INSULATOR COLOR:

"B" BLACK

4. CONTACT FINISH:

"01" GOLD FLASH

"03" 3 MICROINCH GOLD

"15" 15 MICROINCH GOLD

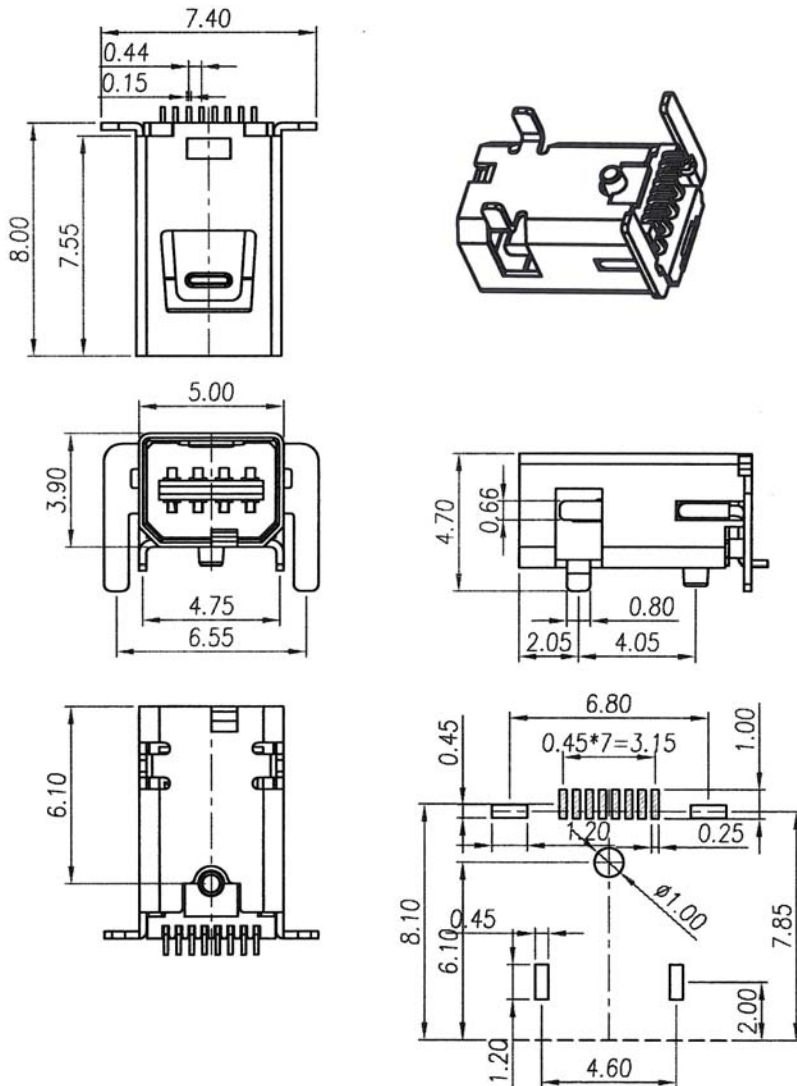
"30" 30 MICROINCH GOLD

NOTE: PACKAGE= TAPE & REEL

DRAWING REVISED

P/N REVISED

## MINI USB 8 PIN FEMALE CONNECTOR SMT TYPE



Recommended P.C.Board Layout

### SPECIFICATIONS

**Current Rating:** 1.0 Amp

**Contact Resistance:** 25 Milliohm Max.

**Insulation Resistance:** 1000 Megohm Min. At 500V

**Dielectric Withstanding:** 1000V At 1 Minute

**Operating Temperature:** -55°C to +105°C

### MATERIALS

**Insulator:** THERMOPLASTIC, UL94V-0 RATED

**Contact:** Brass

**Shell:** Brass, Steel

**Contact Plating:** Selective Gold Over Nickel Plated

**Shell Plating:** Tin Or Nickel Over Copper Plated

\*RoHS & REACH compliant.

### ORDERING INFORMATION:

P/N U M 8 4 - 0 8 F B 0 3  
1 2 3 4

1. NO. OF CONTACTS:

08

2. CONNECTOR TYPE:

"F" FEMALE

3. INSULATOR COLOR:

"B" BLACK

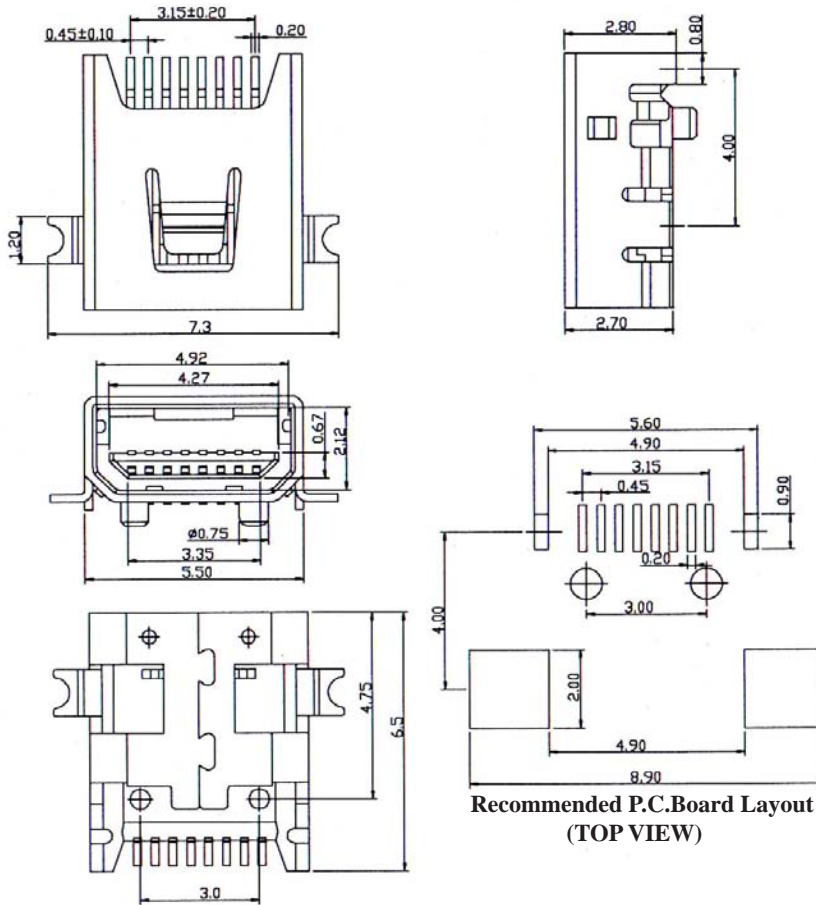
4. CONTACT FINISH:

"03" 3 MICRORINCH GOLD

DRAWING REVISED

P/N REVISED

## MINI USB 8 PIN FEMALE CONNECTOR SMT TYPE WITH GROUNDING PAD



### SPECIFICATIONS

**Current Rating:** 1.0 Amp

**Contact Resistance:** 25 Milliohm Max.

**Insulation Resistance:** 1000 Megohm Min. At 500V

**Dielectric Withstanding:** 1000V At 1 Minute

**Operating Temperature:** -55°C to +105°C

### MATERIALS

**Insulator:** THERMOPLASTIC, UL94V-0 RATED

**Contact:** Brass

**Shell:** Brass, Steel

**Contact Plating:** Selective Gold Over Nickel Plated

**Shell Plating:** Tin Or Nickel Over Copper Plated

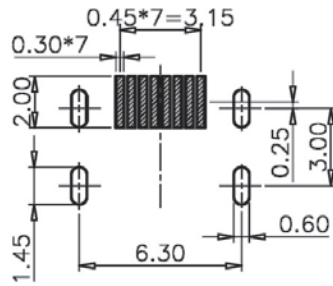
\*RoHS & REACH compliant.

### ORDERING INFORMATION:

P/N U M 8 7 - 0 8 F B x x  
1 2 3 4

1. NO. OF CONTACTS:  
08
2. CONNECTOR TYPE:  
"F" FEMALE
3. INSULATOR COLOR:  
"B" BLACK
4. CONTACT FINISH:  
"01" GOLD FLASH

## MINI USB 8 PIN MALE CONNECTOR REVERSE MOUNT SMT TYPE



Recommended P.C.Board Layout

### SPECIFICATIONS

**Current Rating:** 1.0 Amp

**Contact Resistance:** 25 Milliohm Max.

**Insulation Resistance:** 1000 Megohm Min. At 500V

**Dielectric Withstanding:** 1000V At 1 Minute

**Operating Temperature:** -55°C to +105°C

### MATERIALS

**Insulator:** Thermoplastic, UL94V-0 Rated

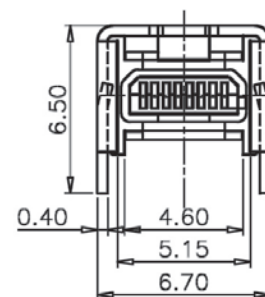
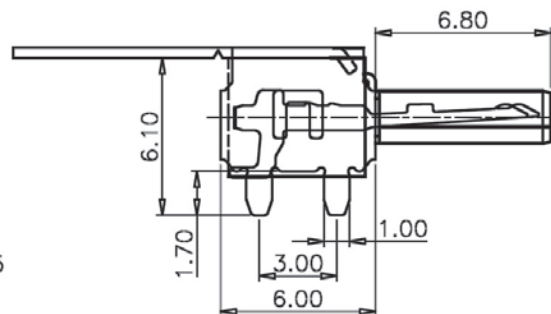
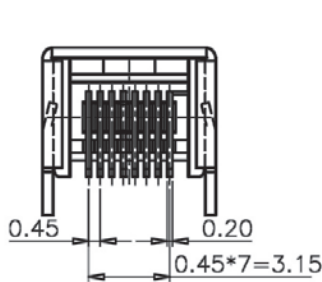
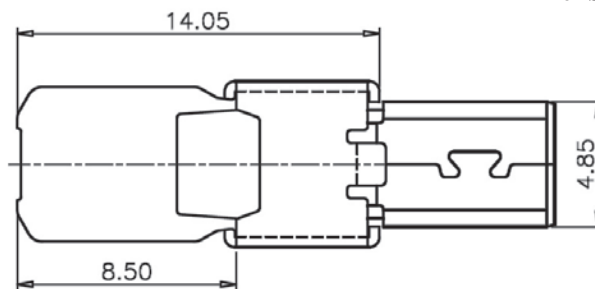
**Contact:** Brass

**Shell:** Brass, Steel

**Contact Plating:** Selective Gold Over Nickel Plated

**Shell Plating:** Tin Or Nickel Over Copper Plated

\*RoHS & REACH compliant.



### ORDERING INFORMATION:

P/N U M 8 A - 0 8 M B x x  
 1 2 3 4

1. NO. OF CONTACTS:

08

2. CONNECTOR TYPE:

"M" MALE

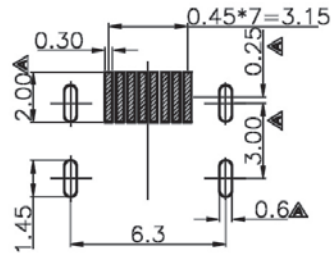
3. INSULATOR COLOR:

"B" BLACK

4. CONTACT FINISH:

"10" 10 MICROINCH GOLD

## MINI USB 8 PIN MALE CONNECTOR REVERSE MOUNT SMT TYPE



Recommended P.C.Board Layout

### SPECIFICATIONS

**Current Rating:** 1.0 Amp

**Contact Resistance:** 25 Milliohm Max.

**Insulation Resistance:** 1000 Megohm Min. At 500V

**Dielectric Withstanding:** 1000V At 1 Minute

**Operating Temperature:** -55°C to +105°C

### MATERIALS

**Insulator:** Thermoplastic, UL94V-0 Rated

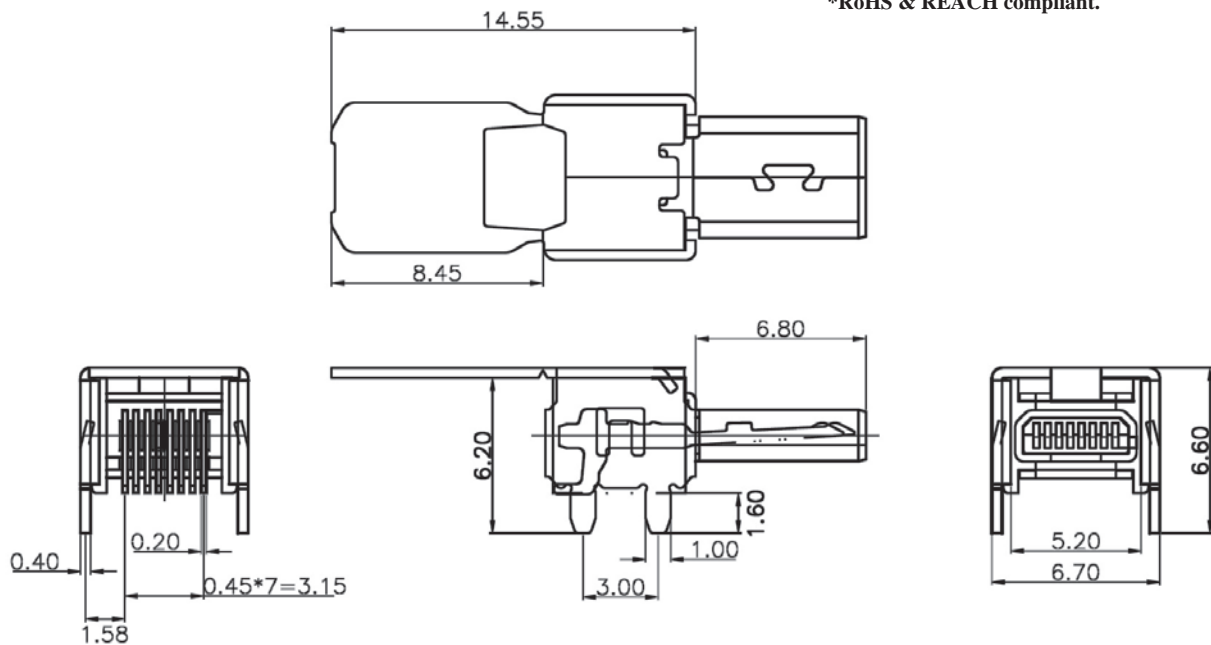
**Contact:** Brass

**Shell:** Brass, Steel

**Contact Plating:** Selective Gold Over Nickel Plated

**Shell Plating:** Tin Or Nickel Over Copper Plated

\*RoHS & REACH compliant.



### ORDERING INFORMATION:

P/N U M 8 L - 0 8 M B x x  
                   1 2 3 4

1. NO. OF CONTACTS:

08

2. CONNECTOR TYPE:

"M" MALE

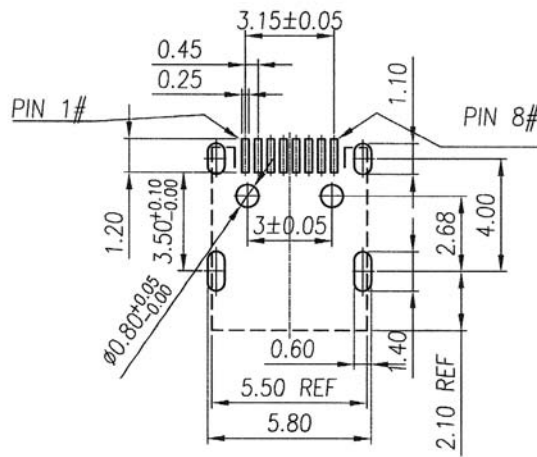
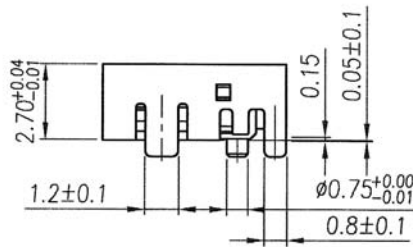
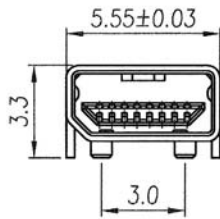
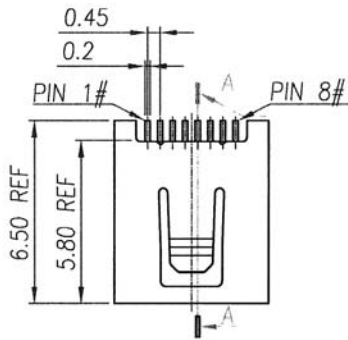
3. INSULATOR COLOR:

"B" BLACK

4. CONTACT FINISH:

"10" 10 MICROINCH GOLD

## MINI USB 8 PIN FEMALE CONNECTOR SMT TYPE



Recommended P.C.Board Layout

### SPECIFICATIONS

**Current Rating:** 1.0 Amp

**Contact Resistance:** 25 Milliohm Max.

**Insulation Resistance:** 1000 Megohm Min. At 500V

**Dielectric Withstanding:** 1000V At 1 Minute

**Operating Temperature:** -55°C to +105°C

### MATERIALS

**Insulator:** THERMOPLASTIC, UL94V-0 RATED

**Contact:** Brass

**Shell:** Brass, Steel

**Contact Plating:** Selective Gold Over Nickel Plated

**Shell Plating:** Tin Or Nickel Over Copper Plated

\*RoHS & REACH compliant.

### ORDERING INFORMATION:

P/N U M 8 B - 0 8 F B 1 0 G  
1 2 3 4 5

1. NO. OF CONTACTS:

08

2. CONNECTOR TYPE:

"F" FEMALE

3. INSULATOR COLOR:

"B" BLACK

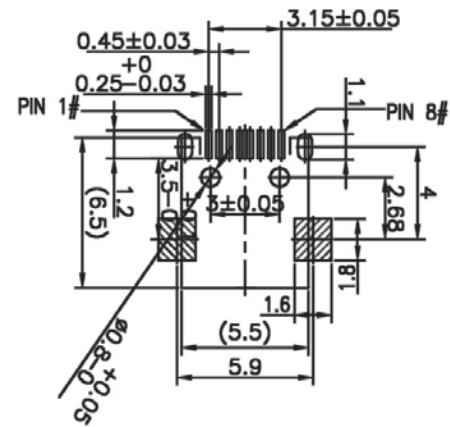
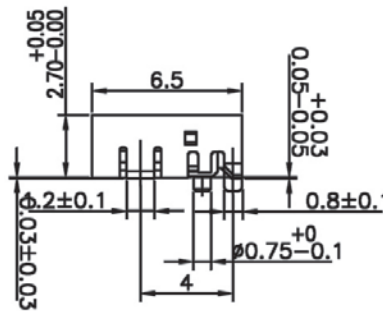
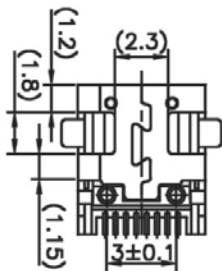
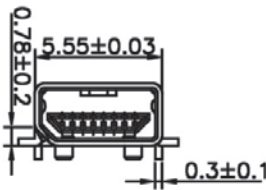
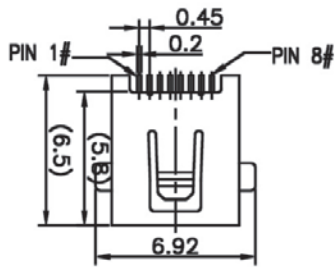
4. CONTACT FINISH:

"10" 10 MICROINCH GOLD

5. SHELL FINISH:

"G" GOLD FLASH

## MINI USB 8 PIN FEMALE CONNECTOR SMT TYPE



Recommended P.C.Board Layout

### SPECIFICATIONS

**Current Rating:** 1.0 Amp

**Contact Resistance:** 25 Milliohm Max.

**Insulation Resistance:** 1000 Megohm Min. At 500V

**Dielectric Withstanding:** 1000V At 1 Minute

**Operating Temperature:** -55°C to +105°C

### MATERIALS

**Insulator:** Thermoplastic, UL94V-0 Rated

**Contact:** Brass

**Shell:** Brass, Steel

**Contact Plating:** Selective Gold Over Nickel Plated

**Shell Plating:** Tin Or Nickel Over Copper Plated

\*RoHS & REACH compliant.

### ORDERING INFORMATION:

P/N U M 8 C - 0 8 F B x x G  
 1 2 3 4 5

1. NO. OF CONTACTS:

05

2. CONNECTOR TYPE:

"F" FEMALE

3. INSULATOR COLOR:

"B" BLACK

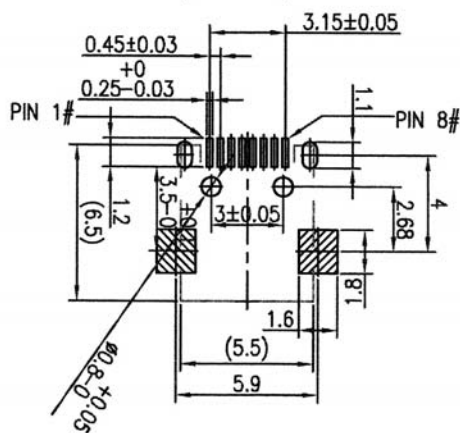
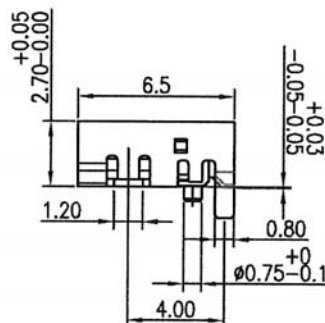
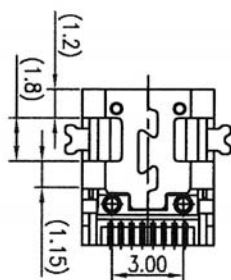
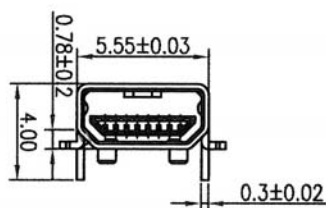
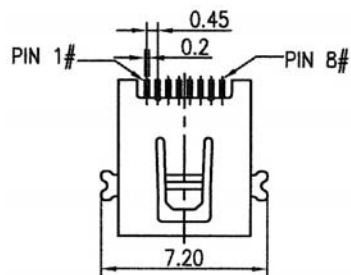
4. CONTACT FINISH:

"10" 10 MICROINCH GOLD

5. SHELL FINISH:

"G" GOLD PLATED

## MINI USB 8 PIN FEMALE CONNECTOR SMT TYPE WITH LONG DIP



Recommended P.C.Board Layout

### SPECIFICATIONS

**Current Rating:** 1.0 Amp

**Contact Resistance:** 25 Milliohm Max.

**Insulation Resistance:** 1000 Megohm Min. At 500V

**Dielectric Withstanding:** 1000V At 1 Minute

**Operating Temperature:** -55°C to +105°C

### MATERIALS

**Insulator:** THERMOPLASTIC, UL94V-0 RATED

**Contact:** Brass

**Shell:** Brass, Steel

**Contact Plating:** Selective Gold Over Nickel Plated

**Shell Plating:** Tin Or Nickel Over Copper Plated

\*RoHS & REACH compliant.

### ORDERING INFORMATION:

P/N U M 8 D - 0 8 F B x x x  
1 2 3 4 5

1. NO. OF CONTACTS:

08

2. CONNECTOR TYPE:

"F" FEMALE

3. INSULATOR COLOR:

"B" BLACK

4. CONTACT FINISH:

"10" 10 MICROINCH GOLD

"15" 15 MICROINCH GOLD

"30" 30 MICROINCH GOLD

5. SHELL FINISH:

" " NICKEL PLATED

"G" GOLD FLASH