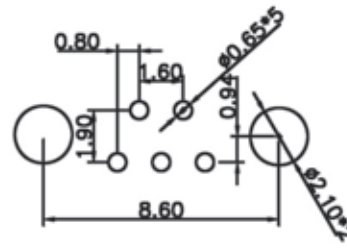
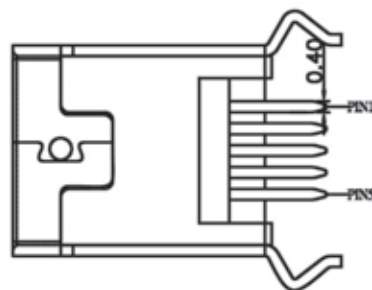
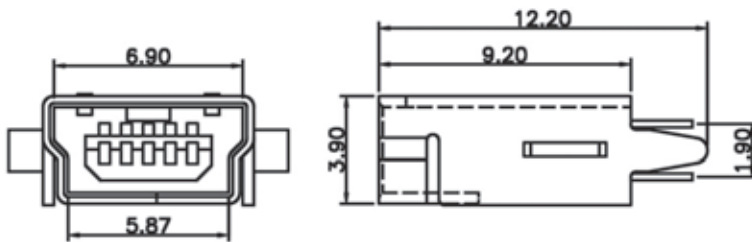
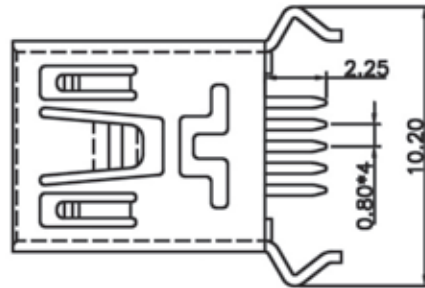


MINI USB B TYPE 5 PIN FEMALE CONNECTOR STRAIGHT DIP TYPE



Recommended P.C.Board Layout

SPECIFICATIONS

Current Rating: 1.0 Amp

Contact Resistance: 25 Milliohm Max.

Insulation Resistance: 1000 Megohm Min. At 500V

Dielectric Withstanding: 1000V At 1 Minute

Operating Temperature: -55°C to +105°C

MATERIALS

Insulator: Thermoplastic, UL94V-0 Rated

Contact: Brass

Shell: Brass, Steel

Contact Plating: Selective Gold Over Nickel Plated

Shell Plating: Tin Or Nickel Over Copper Plated

***RoHS & REACH compliant.**

ORDERING INFORMATION:

P/N U M 1 9 - 0 5 F B x x
1 2 3 4

1. NO. OF CONTACTS:

05

2. CONNECTOR TYPE:

"F" FEMALE

3. INSULATOR COLOR:

"B" BLACK

4. CONTACT FINISH:

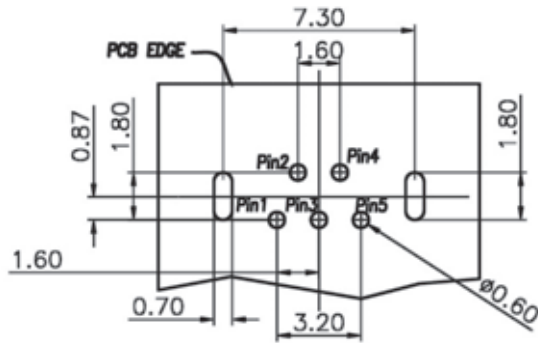
"03" 3 MICROINCH GOLD

"15" 15 MICROINCH GOLD

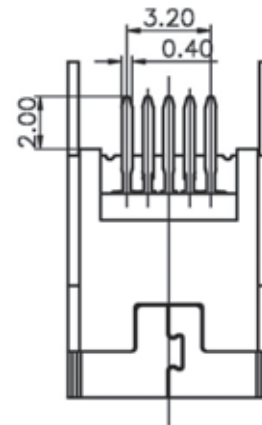
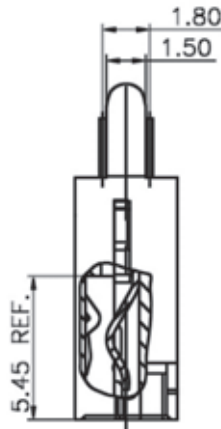
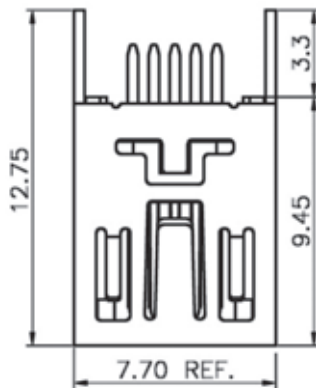
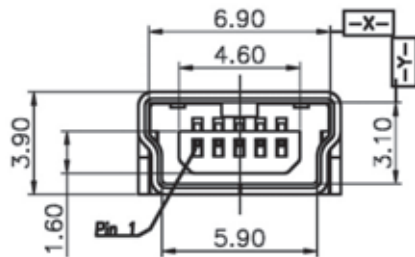
"30" 30 MICROINCH GOLD

"01" GOLD FLASH

MINI USB B TYPE 5 PIN FEMALE CONNECTOR STRAIGHT DIP TYPE



Recommended P.C.Board Layout



SPECIFICATIONS

Current Rating: 1.0 Amp

Contact Resistance: 25 Milliohm Max.

Insulation Resistance: 1000 Megohm Min. At 500V

Dielectric Withstanding: 1000V At 1 Minute

Operating Temperature: -55°C to +105°C

MATERIALS

Insulator: Thermoplastic, UL94V-0 Rated

Contact: Brass

Shell: Brass, Steel

Contact Plating: Selective Gold Over Nickel Plated

Shell Plating: Tin Or Nickel Over Copper Plated

*RoHS & REACH compliant.

ORDERING INFORMATION:

P/N U M 4 8 - 0 5 F B x x
 1 2 3 4

1. NO. OF CONTACTS:

05

2. CONNECTOR TYPE:

"F" FEMALE

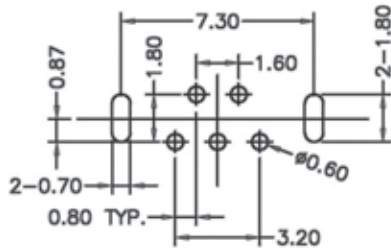
3. INSULATOR COLOR:

"B" BLACK

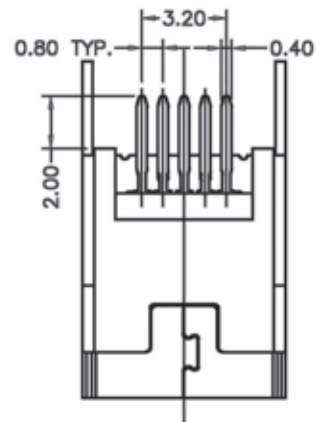
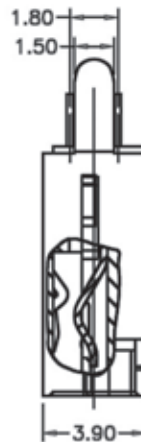
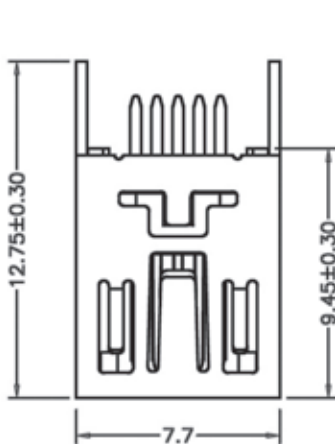
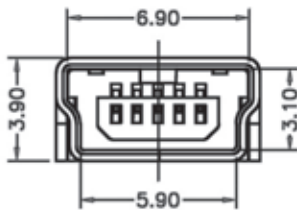
4. CONTACT FINISH:

"01" GOLD FLASH

MINI USB B TYPE 5 PIN FEMALE CONNECTOR STRAIGHT DIP TYPE



Recommended P.C.Board Layout



SPECIFICATIONS

Current Rating: 1.0 Amp

Contact Resistance: 25 Milliohm Max.

Insulation Resistance: 1000 Megohm Min. At 500V

Dielectric Withstanding: 1000V At 1 Minute

Operating Temperature: -55°C to +105°C

MATERIALS

Insulator: Thermoplastic, UL94V-0 Rated

Contact: Brass

Shell: Brass, Steel

Contact Plating: Selective Gold Over Nickel Plated

Shell Plating: Tin Or Nickel Over Copper Plated

*RoHS & REACH compliant.

ORDERING INFORMATION:

P/N U M 1 8 - 0 5 F B x x
1 2 3 4

1. NO. OF CONTACTS:

05

2. CONNECTOR TYPE:

"F" FEMALE

3. INSULATOR COLOR:

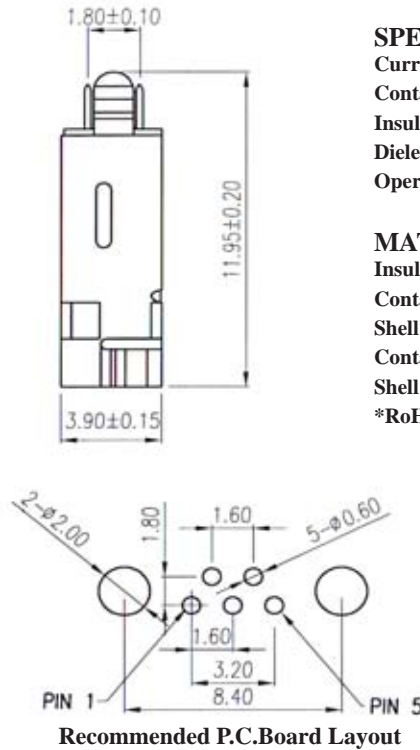
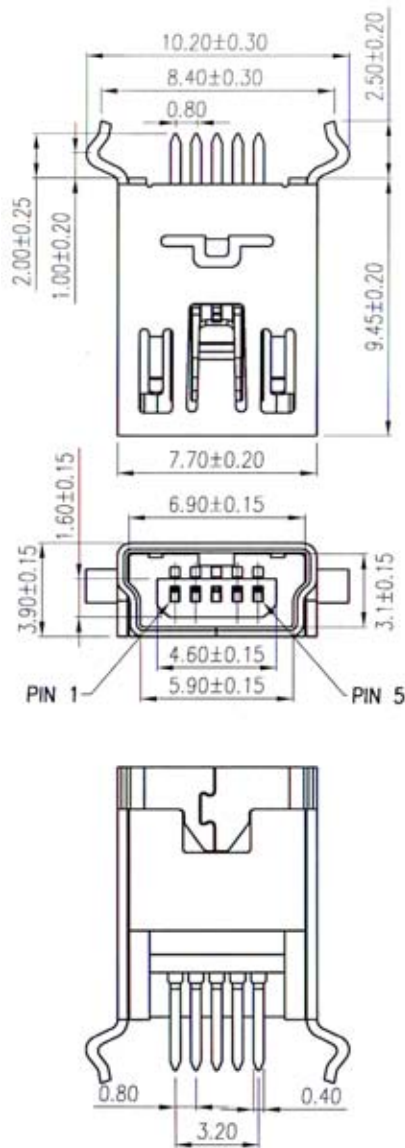
"B" BLACK

4. CONTACT FINISH:

"30" 30 MICROINCH GOLD

"01" GOLD FLASH

MINI USB B TYPE 5 PIN FEMALE CONNECTOR STRAIGHT PCB MOUNT TYPE



SPECIFICATIONS

Current Rating: 1.0 Amp

Contact Resistance: 25 Milliohm Max.

Insulation Resistance: 1000 Megohm Min. At 500V

Dielectric Withstanding: 1000V At 1 Minute

Operating Temperature: -55°C to +105°C

MATERIALS

Insulator: THERMOPLASTIC, UL94V-0 RATED

Contact: Brass

Shell: Brass, Steel

Contact Plating: Selective Gold Over Nickel Plated

Shell Plating: Tin Or Nickel Over Copper Plated

***RoHS & REACH compliant.**

ORDERING INFORMATION:

P/N U M 1 5 - 0 5 F B x x
 1 2 3 4

1. NO. OF CONTACTS:

05

2. CONNECTOR TYPE:

"F" FEMALE

3. INSULATOR COLOR:

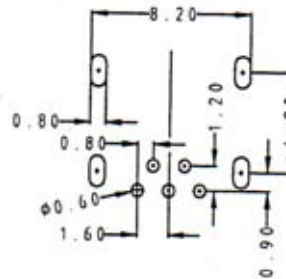
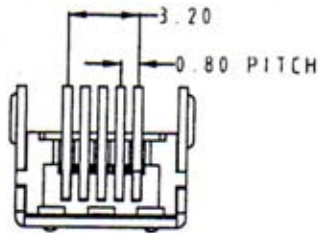
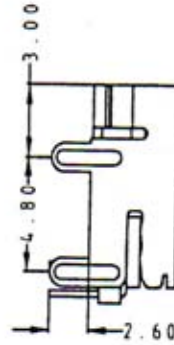
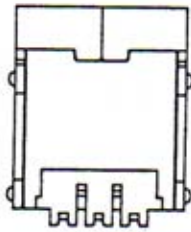
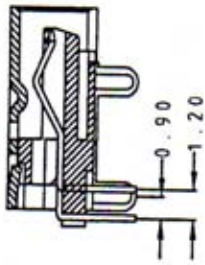
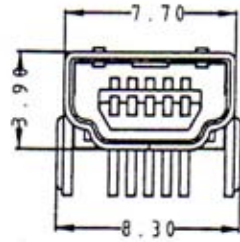
"B" BLACK

4. CONTACT FINISH:

"15" 15 MICROINCH GOLD

"30" 30 MICROINCH GOLD

MINI USB A TYPE 5 PIN FEMALE CONNECTOR RIGHT ANGLE DIP TYPE



Recommended P.C.Board Layout

SPECIFICATIONS

Current Rating: 1.0 Amp

Contact Resistance: 25 Milliohm Max.

Insulation Resistance: 1000 Megohm Min. At 500V

Dielectric Withstanding: 1000V At 1 Minute

Operating Temperature: -55°C to +105°C

MATERIALS

Insulator: THERMOPLASTIC, UL94V-0 RATED

Contact: Brass

Shell: Brass, Steel

Contact Plating: Selective Gold Over Nickel Plated

Shell Plating: Tin Or Nickel Over Copper Plated

***RoHS & REACH compliant.**

ORDERING INFORMATION:

P/N U M 2 3 - 0 5 F B 3 0
 1 2 3 4

1. NO. OF CONTACTS:

05

2. CONNECTOR TYPE:

"F" FEMALE

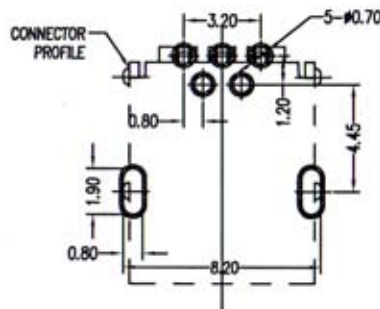
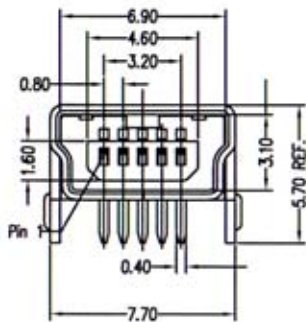
3. INSULATOR COLOR:

"B" BLACK

4. CONTACT FINISH:

"30" 30 MICROINCH GOLD

MINI USB B TYPE 5 PIN FEMALE CONNECTOR RIGHT ANGLE DIP TYPE



Recommended P.C.Board Layout

SPECIFICATIONS

Current Rating: 1.0 Amp

Contact Resistance: 25 Milliohm Max.

Insulation Resistance: 1000 Megohm Min. At 500V

Dielectric Withstanding: 1000V At 1 Minute

Operating Temperature: -55°C to +105°C

MATERIALS

Insulator: THERMOPLASTIC, UL94V-0 RATED

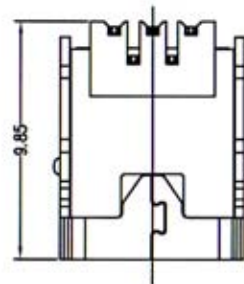
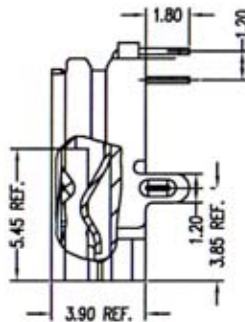
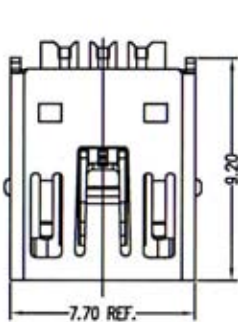
Contact: Brass

Shell: Brass, Steel

Contact Plating: Selective Gold Over Nickel Plated

Shell Plating: Tin Or Nickel Over Copper Plated

*RoHS & REACH compliant.



ORDERING INFORMATION:

P/N U M 2 4 - 0 5 F B 3 0
 1 2 3 4

1. NO. OF CONTACTS:

05

2. CONNECTOR TYPE:

"F" FEMALE

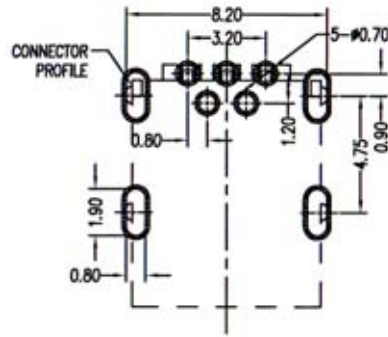
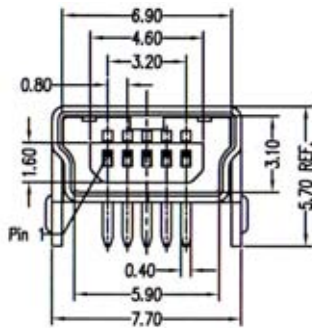
3. INSULATOR COLOR:

"B" BLACK

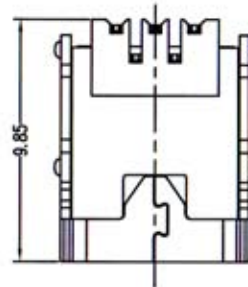
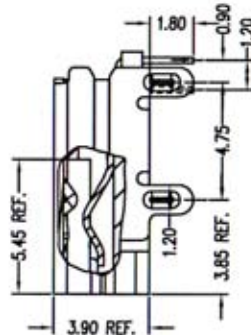
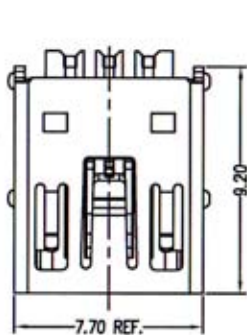
4. CONTACT FINISH:

"30" 30 MICROINCH GOLD

MINI USB B TYPE 5 PIN FEMALE CONNECTOR RIGHT ANGLE DIP TYPE



Recommended P.C.Board Layout



SPECIFICATIONS

Current Rating: 1.0 Amp

Contact Resistance: 25 Milliohm Max.

Insulation Resistance: 1000 Megohm Min. At 500V

Dielectric Withstanding: 1000V At 1 Minute

Operating Temperature: -55°C to +105°C

MATERIALS

Insulator: THERMOPLASTIC, UL94V-0 RATED

Contact: Brass

Shell: Brass, Steel

Contact Plating: Selective Gold Over Nickel Plated

Shell Plating: Tin Or Nickel Over Copper Plated

*RoHS & REACH compliant.

ORDERING INFORMATION:

P/N U M 2 5 - 0 5 F B 3 0
 1 2 3 4

1. NO. OF CONTACTS:

05

2. CONNECTOR TYPE:

"F" FEMALE

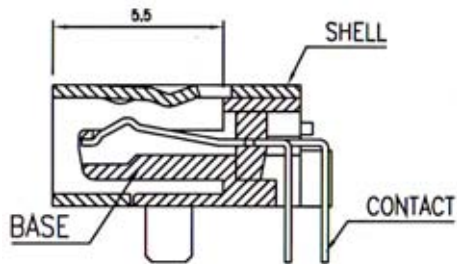
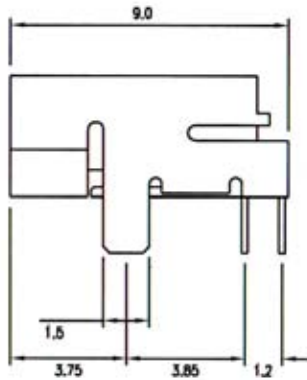
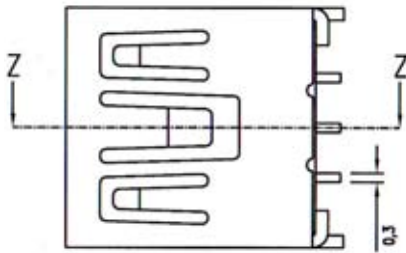
3. INSULATOR COLOR:

"B" BLACK

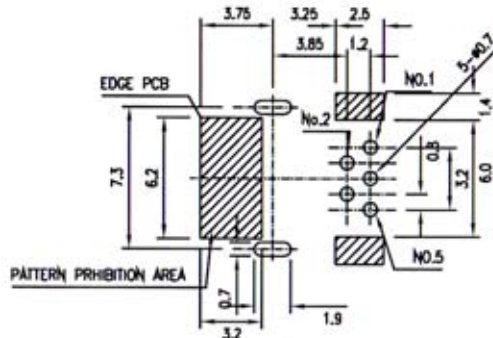
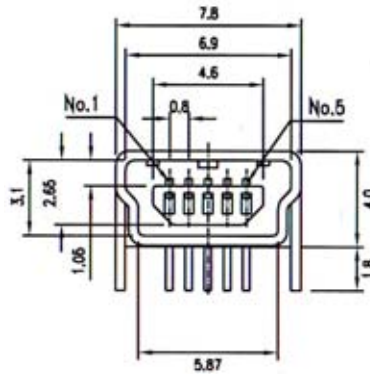
4. CONTACT FINISH:

"30" 30 MICROINCH GOLD

MINI USB B TYPE 5 PIN FEMALE CONNECTOR RIGHT ANGLE DIP TYPE



SECTION Z-Z



Recommended P.C.Board Pattern Layout

SPECIFICATIONS

Current Rating: 1.0 Amp

Contact Resistance: 25 Milliohm Max.

Insulation Resistance: 1000 Megohm Min. At 500V

Dielectric Withstanding: 1000V At 1 Minute

Operating Temperature: -55°C to +105°C

MATERIALS

Insulator: THERMOPLASTIC, UL94V-0 RATED

Contact: Brass

Shell: Brass, Steel

Contact Plating: Selective Gold Over Nickel Plated

Shell Plating: Tin Or Nickel Over Copper Plated

*RoHS & REACH compliant.

ORDERING INFORMATION:

P/N U M 2 7 - 0 5 F B 3 0
1 2 3 4

1. NO. OF CONTACTS:

05

2. CONNECTOR TYPE:

"F" FEMALE

3. INSULATOR COLOR:

"B" BLACK

4. CONTACT FINISH:

"30" 30 MICROINCH GOLD

MINI USB B TYPE 5 PIN FEMALE CONNECTOR RIGHT ANGLE DIP TYPE

SPECIFICATIONS

Current Rating: 1.0 Amp

Contact Resistance: 25 Milliohm Max.

Insulation Resistance: 1000 Megohm Min. At 500V

Dielectric Withstanding: 1000V At 1 Minute

Operating Temperature: -55°C to +105°C

MATERIALS

Insulator: Thermoplastic, UL94V-0 Rated

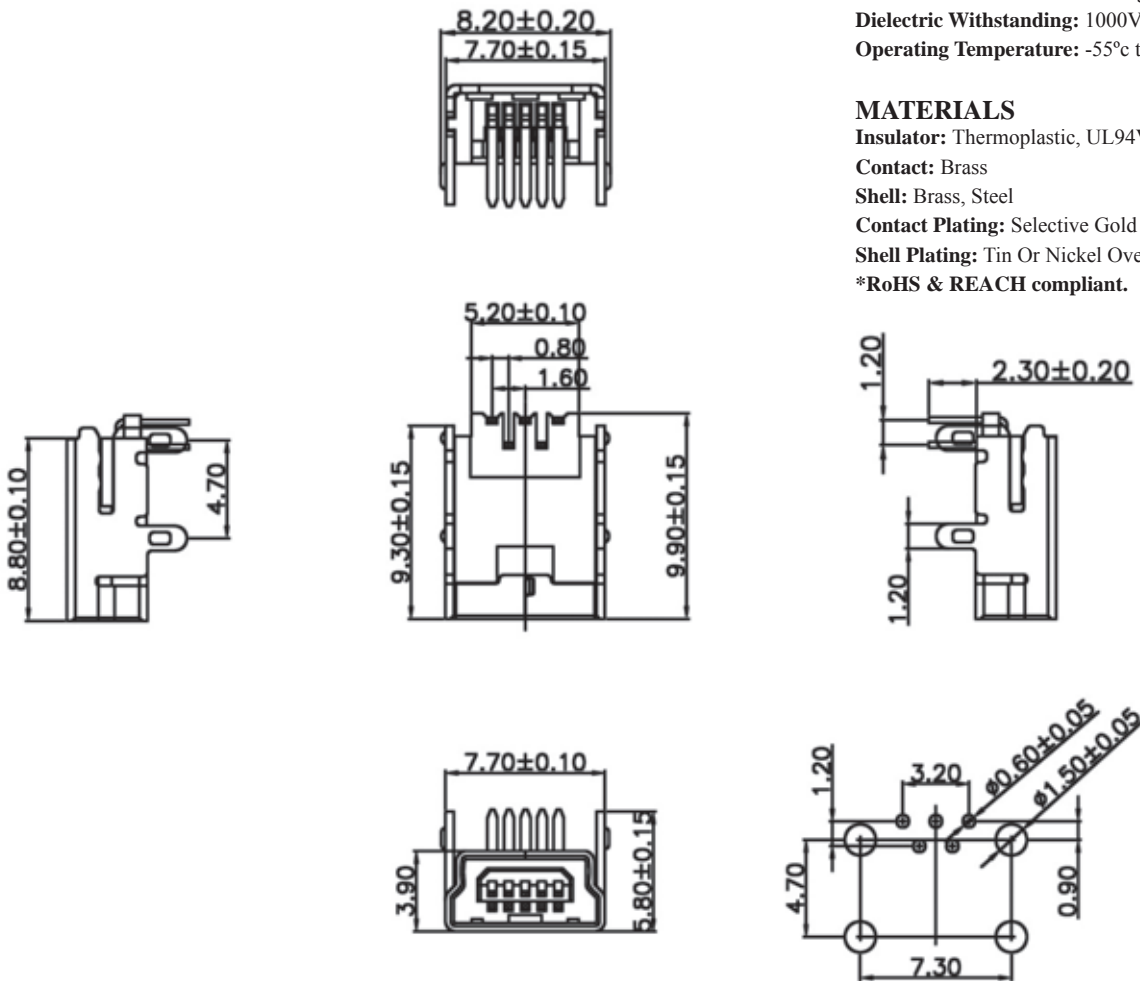
Contact: Brass

Shell: Brass, Steel

Contact Plating: Selective Gold Over Nickel Plated

Shell Plating: Tin Or Nickel Over Copper Plated

*RoHS & REACH compliant.



Recommended P.C. Board Layout

ORDERING INFORMATION:

P/N U M 2 9 - 0 5 F B x x
 1 2 3 4

1. NO. OF CONTACTS:

05

2. CONNECTOR TYPE:

"F" FEMALE

3. INSULATOR COLOR:

"B" BLACK

4. CONTACT FINISH:

"03" 3 MICROINCH GOLD

"15" 15 MICROINCH GOLD

"30" 30 MICROINCH GOLD

"01" GOLD FLASH

MINI USB B TYPE 5 PIN FEMALE CONNECTOR RIGHT ANGLE DIP TYPE

SPECIFICATIONS

Current Rating: 1.0 Amp

Contact Resistance: 25 Milliohm Max.

Insulation Resistance: 1000 Megohm Min. At 500V

Dielectric Withstanding: 1000V At 1 Minute

Operating Temperature: -55°C to +105°C

MATERIALS

Insulator: Thermoplastic, UL94V-0 Rated

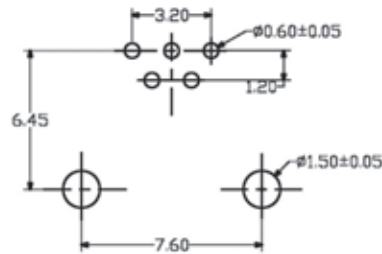
Contact: Brass

Shell: Brass, Steel

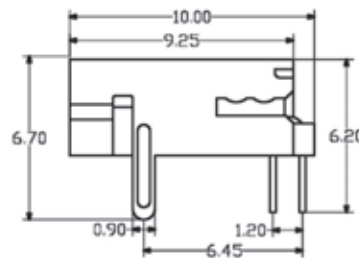
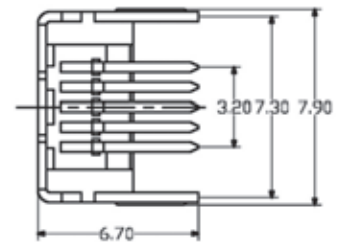
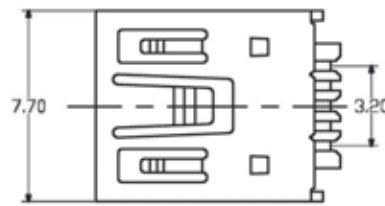
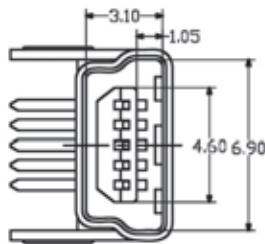
Contact Plating: Selective Gold Over Nickel Plated

Shell Plating: Tin Or Nickel Over Copper Plated

*RoHS & REACH compliant.



Recommended P.C.Board Layout



ORDERING INFORMATION:

P/N U M 2 8 - 0 5 F B x x
1 2 3 4

1. NO. OF CONTACTS:

05

2. CONNECTOR TYPE:

"F" FEMALE

3. INSULATOR COLOR:

"B" BLACK

4. CONTACT FINISH:

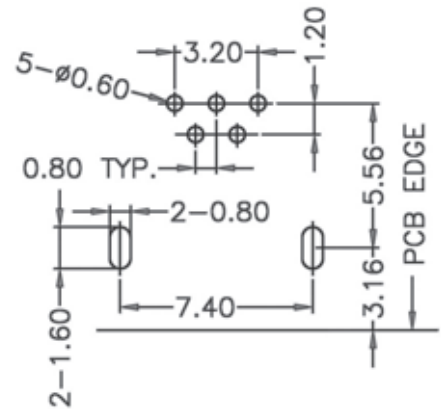
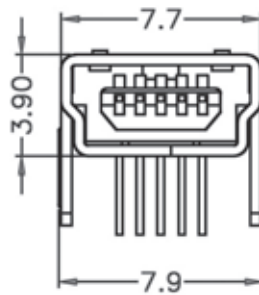
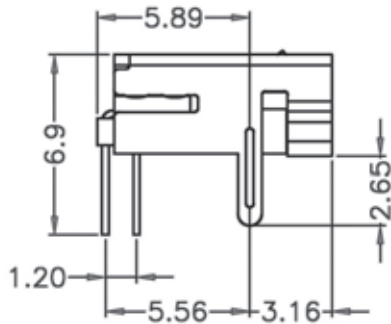
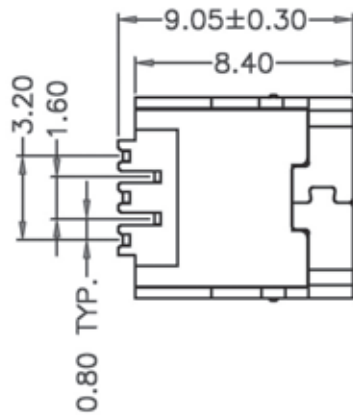
"03" 3 MICROINCH GOLD

"15" 15 MICROINCH GOLD

"30" 30 MICROINCH GOLD

"01" GOLD FLASH

MINI USB B TYPE 5 PIN FEMALE CONNECTOR RIGHT ANGLE DIP TYPE



Recommended P.C.Board Layout

SPECIFICATIONS

Current Rating: 1.0 Amp

Contact Resistance: 25 Milliohm Max.

Insulation Resistance: 1000 Megohm Min. At 500V

Dielectric Withstanding: 1000V At 1 Minute

Operating Temperature: -55°C to +105°C

MATERIALS

Insulator: Thermoplastic, UL94V-0 Rated

Contact: Brass

Shell: Brass, Steel

Contact Plating: Selective Gold Over Nickel Plated

Shell Plating: Tin Or Nickel Over Copper Plated

***RoHS & REACH compliant.**

ORDERING INFORMATION:

P/N U M 2 0 - 0 5 F B x x
1 2 3 4

1. NO. OF CONTACTS:

05

2. CONNECTOR TYPE:

"F" FEMALE

3. INSULATOR COLOR:

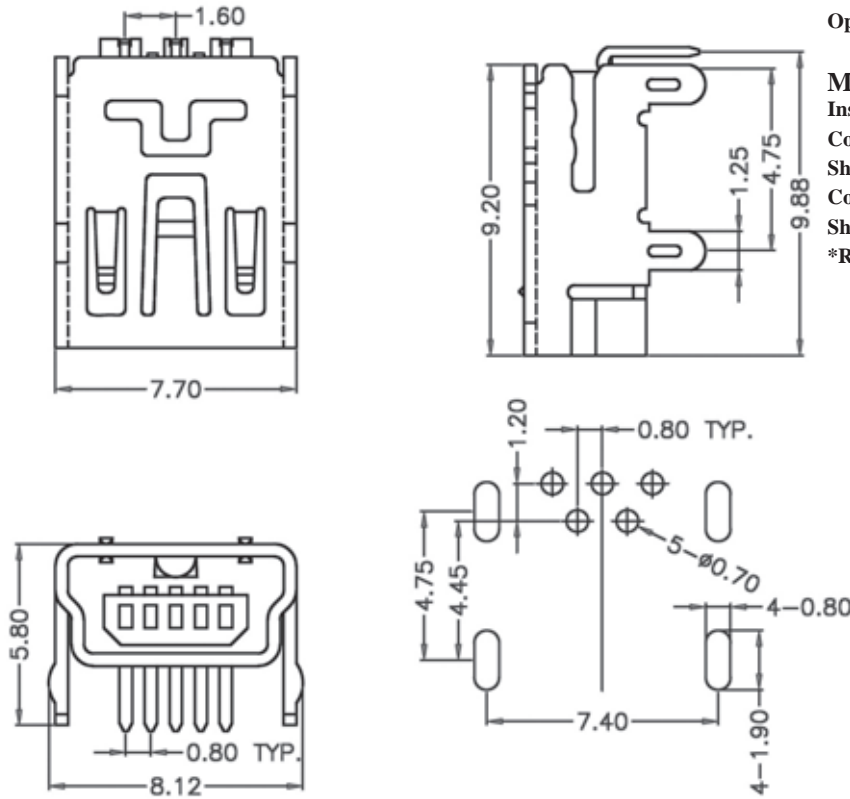
"B" BLACK

4. CONTACT FINISH:

"30" 30 MICROINCH GOLD

"01" GOLD FLASH

MINI USB B TYPE 5 PIN FEMALE CONNECTOR RIGHT ANGLE DIP TYPE



Recommended P.C.Board Layout

SPECIFICATIONS

Current Rating: 1.0 Amp

Contact Resistance: 25 Milliohm Max.

Insulation Resistance: 1000 Megohm Min. At 500V

Dielectric Withstanding: 1000V At 1 Minute

Operating Temperature: -55°C to +105°C

MATERIALS

Insulator: Thermoplastic, UL94V-0 Rated

Contact: Brass

Shell: Brass, Steel

Contact Plating: Selective Gold Over Nickel Plated

Shell Plating: Tin Or Nickel Over Copper Plated

***RoHS & REACH compliant.**

ORDERING INFORMATION:

P/N U M 2 1 - 0 5 F B x x
1 2 3 4

1. NO. OF CONTACTS:

05

2. CONNECTOR TYPE:

"F" FEMALE

3. INSULATOR COLOR:

"B" BLACK

4. CONTACT FINISH:

"05" 5 MICROINCH GOLD

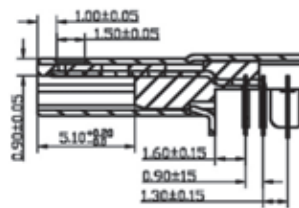
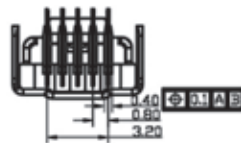
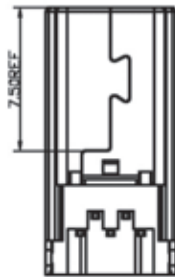
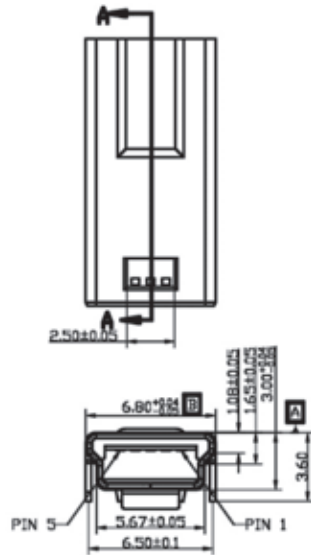
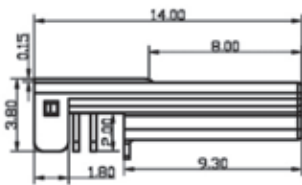
"10" 10 MICROINCH GOLD

"15" 15 MICROINCH GOLD

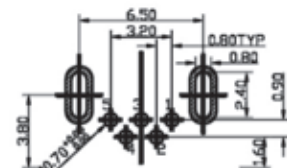
"30" 30 MICROINCH GOLD

"01" GOLD FLASH

MINI USB B TYPE 5 PIN MALE CONNECTOR RIGHT ANGLE DIP TYPE



SECTION:A-A



Recommended P.C.Board Layout

SPECIFICATIONS

Current Rating: 1.0 Amp

Contact Resistance: 25 Milliohm Max.

Insulation Resistance: 1000 Megohm Min. At 500V

Dielectric Withstanding: 1000V At 1 Minute

Operating Temperature: -55°C to +105°C

MATERIALS

Insulator: Thermoplastic, UL94V-0 Rated

Contact: Brass

Shell: Brass, Steel

Contact Plating: Selective Gold Over Nickel Plated

Shell Plating: Tin Or Nickel Over Copper Plated

***RoHS & REACH compliant.**

ORDERING INFORMATION:

P/N U M 7 7 - 0 5 M B x x
1 2 3 4

1. NO. OF CONTACTS:

05

2. CONNECTOR TYPE:

"M" MALE

3. INSULATOR COLOR:

"B" BLACK

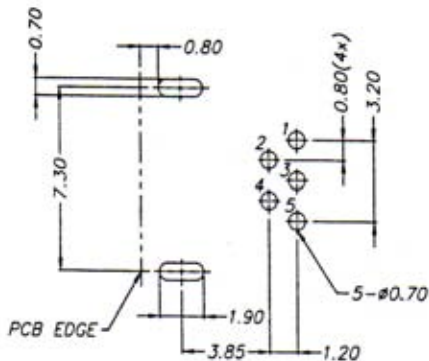
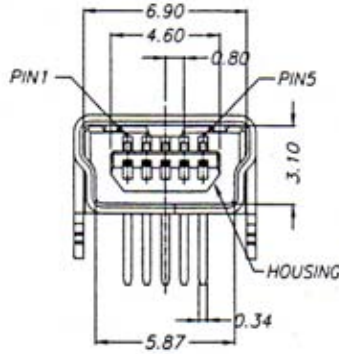
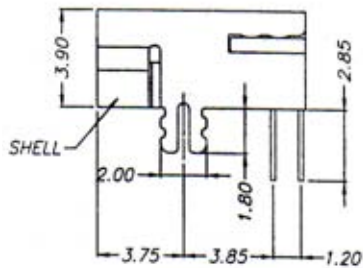
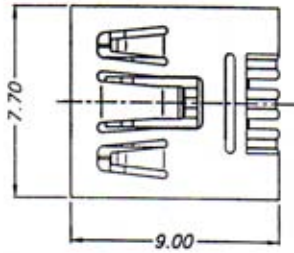
4. CONTACT FINISH:

"15" 15 MICROINCH GOLD

"30" 30 MICROINCH GOLD

"01" GOLD FLASH

MINI USB B TYPE 5 PIN FEMALE CONNECTOR RIGHT ANGLE DIP TYPE



Recommended P.C.Board Layout
(PCB T= 1.4~1.6mm)

SPECIFICATIONS

Current Rating: 1.0 Amp

Contact Resistance: 25 Milliohm Max.

Insulation Resistance: 1000 Megohm Min. At 500V

Dielectric Withstanding: 1000V At 1 Minute

Operating Temperature: -55°C to +105°C

MATERIALS

Insulator: THERMOPLASTIC, UL94V-0 RATED

Contact: Brass

Shell: Brass, Steel

Contact Plating: Selective Gold Over Nickel Plated

Shell Plating: Tin Or Nickel Over Copper Plated

*RoHS & REACH compliant.

ORDERING INFORMATION:

P/N U M 2 2 - 0 5 F B 3 0
1 2 3 4

1. NO. OF CONTACTS:

05

2. CONNECTOR TYPE:

"F" FEMALE

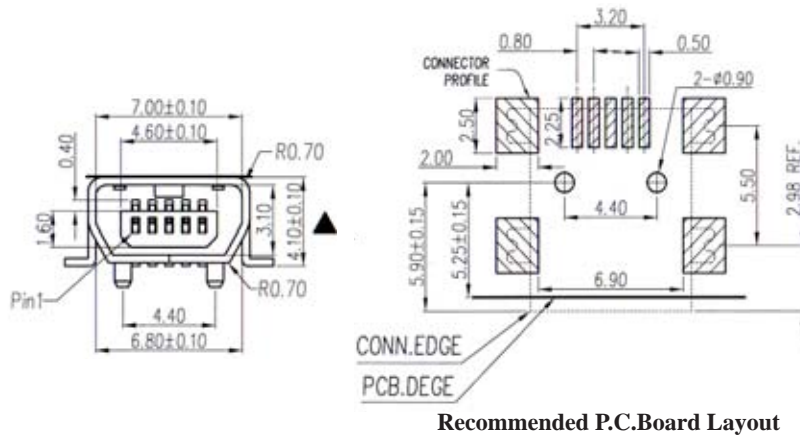
3. INSULATOR COLOR:

"B" BLACK

4. CONTACT FINISH:

"30" 30 MICROINCH GOLD

MINI USB AB TYPE 5 PIN FEMALE CONNECTOR SMT TYPE



SPECIFICATIONS

Current Rating: 1.0 Amp

Contact Resistance: 25 Milliohm Max.

Insulation Resistance: 1000 Megohm Min. At 500V

Dielectric Withstanding: 1000V At 1 Minute

Operating Temperature: -55°C to +105°C

MATERIALS

Insulator: THERMOPLASTIC, UL94V-0 RATED

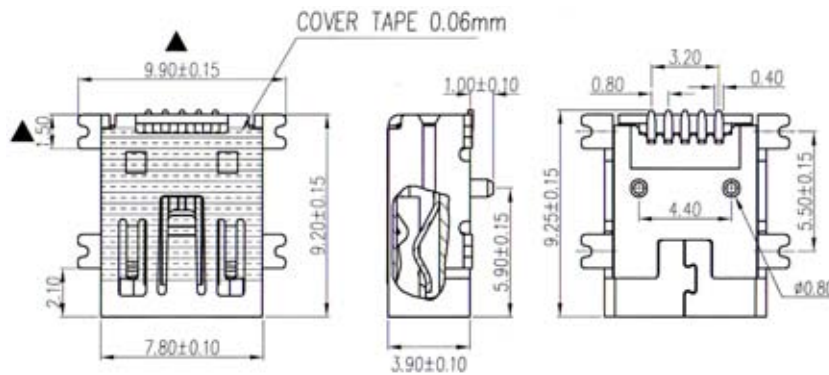
Contact: Brass

Shell: Brass, Steel

Contact Plating: Selective Gold Over Nickel Plated

Shell Plating: Tin Or Nickel Over Copper Plated

*RoHS & REACH compliant.



ORDERING INFORMATION:

P/N U M 5 2 - 0 5 F B x x
1 2 3 4

1. NO. OF CONTACTS:

05

2. CONNECTOR TYPE:

"F" FEMALE

3. INSULATOR COLOR:

"B" BLACK

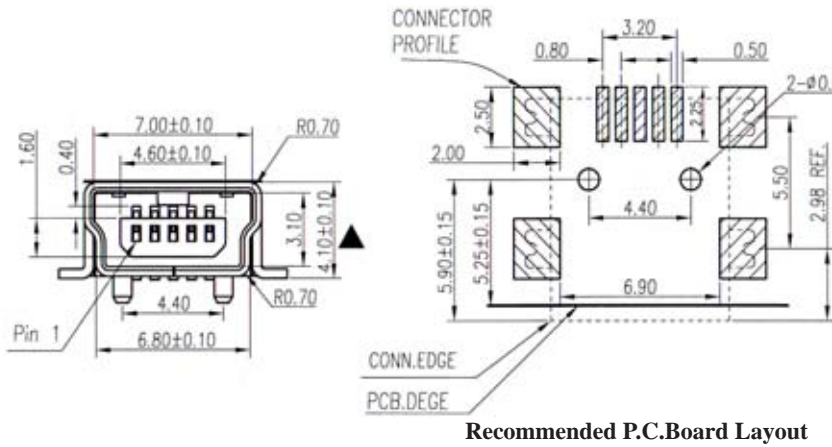
4. CONTACT FINISH:

"15" 15 MICROINCH GOLD

"30" 30 MICROINCH GOLD

NOTE: PACKAGE= TAPE & REEL

MINI USB B TYPE 5 PIN FEMALE CONNECTOR SMT TYPE



SPECIFICATIONS

Current Rating: 1.0 Amp

Contact Resistance: 25 Milliohm Max.

Insulation Resistance: 1000 Megohm Min. At 500V

Dielectric Withstanding: 1000V At 1 Minute

Operating Temperature: -55°C to +105°C

MATERIALS

Insulator: THERMOPLASTIC, UL94V-0 RATED

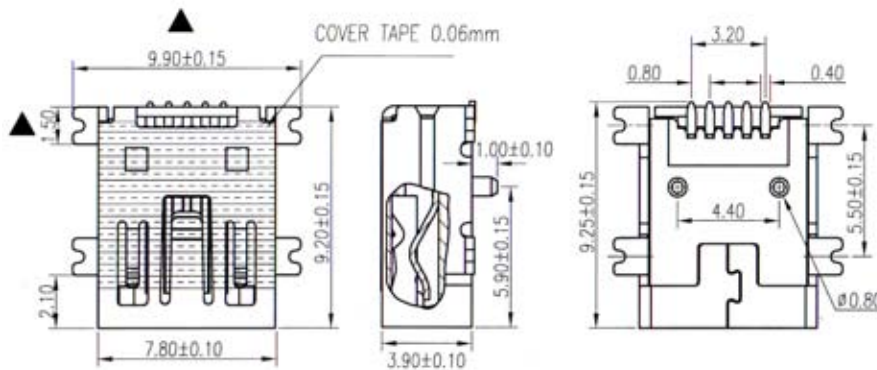
Contact: Brass

Shell: Brass, Steel

Contact Plating: Selective Gold Over Nickel Plated

Shell Plating: Tin Or Nickel Over Copper Plated

*RoHS & REACH compliant.



ORDERING INFORMATION:

P/N U M 5 3 - 0 5 F B x x
 1 2 3 4

1. NO. OF CONTACTS:

05

2. CONNECTOR TYPE:

"F" FEMALE

3. INSULATOR COLOR:

"B" BLACK

4. CONTACT FINISH:

"15" 15 MICROINCH GOLD

"30" 30 MICROINCH GOLD

NOTE: PACKAGE= TAPE & REEL

MINI USB AB TYPE 5 PIN FEMALE CONNECTOR SMT+DIP TYPE WITH SHORT BODY

SPECIFICATIONS

Current Rating: 1.0 Amp

Contact Resistance: 25 Milliohm Max.

Insulation Resistance: 1000 Megohm Min. At 500V

Dielectric Withstanding: 1000V At 1 Minute

Operating Temperature: -55°C to +105°C

MATERIALS

Insulator: Thermoplastic, UL94V-0 Rated

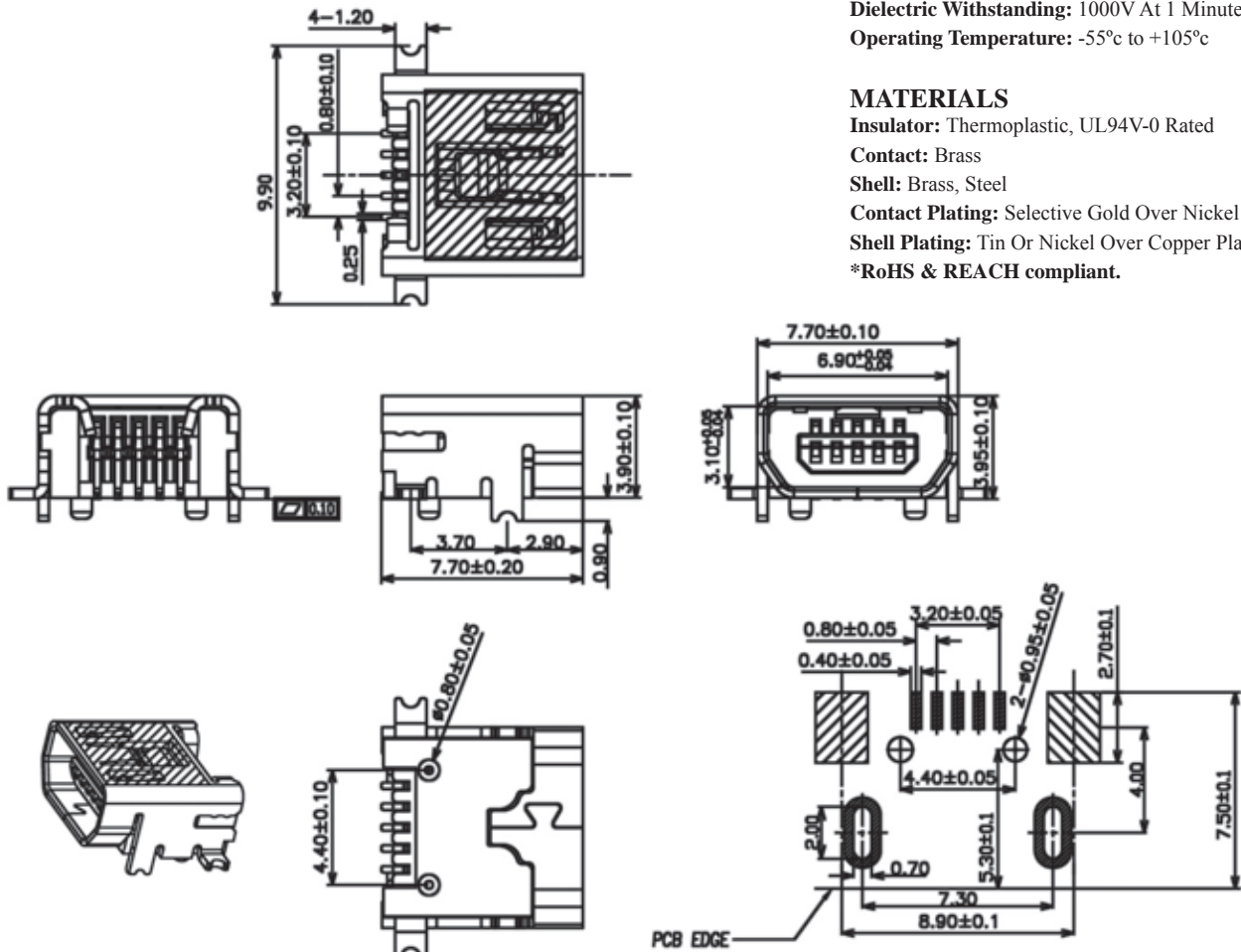
Contact: Brass

Shell: Brass, Steel

Contact Plating: Selective Gold Over Nickel Plated

Shell Plating: Tin Or Nickel Over Copper Plated

*RoHS & REACH compliant.



Recommended P.C.Board Layout

ORDERING INFORMATION:

P/N U M 7 9 - 0 5 F B x x
 1 2 3 4

1. NO. OF CONTACTS:

05

2. CONNECTOR TYPE:

"F" FEMALE

3. INSULATOR COLOR:

"B" BLACK

4. CONTACT FINISH:

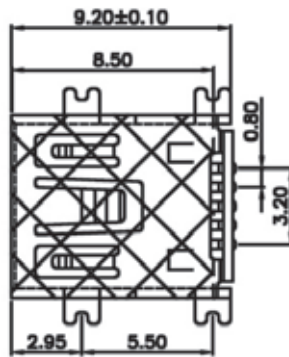
"03" 3 MICROINCH GOLD

"15" 15 MICROINCH GOLD

"30" 30 MICROINCH GOLD

"01" GOLD FLASH

MINI USB B TYPE 5 PIN FEMALE CONNECTOR SMT TYPE



SPECIFICATIONS

Current Rating: 1.0 Amp

Contact Resistance: 25 Milliohm Max.

Insulation Resistance: 1000 Megohm Min. At 500V

Dielectric Withstanding: 1000V At 1 Minute

Operating Temperature: -55°C to +105°C

MATERIALS

Insulator: Thermoplastic, UL94V-0 Rated

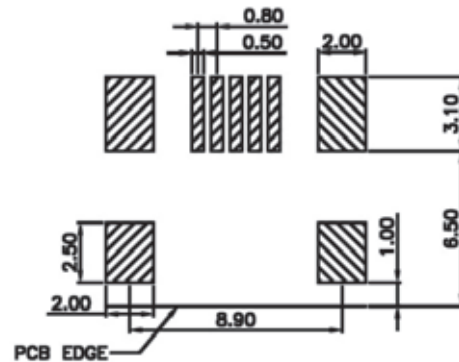
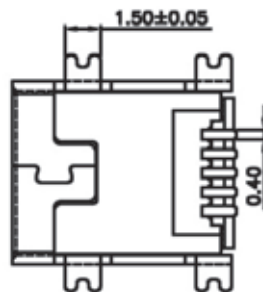
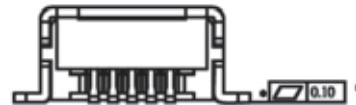
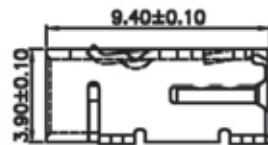
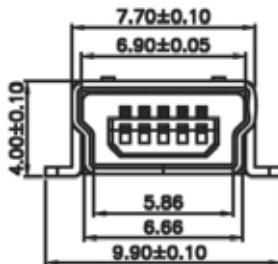
Contact: Brass

Shell: Brass, Steel

Contact Plating: Selective Gold Over Nickel Plated

Shell Plating: Tin Or Nickel Over Copper Plated

*RoHS & REACH compliant.



Recommended P.C.Board Layout

ORDERING INFORMATION:

P/N U M 6 6 - 0 5 F B x x
 1 2 3 4

1. NO. OF CONTACTS:

05

2. CONNECTOR TYPE:

"F" FEMALE

3. INSULATOR COLOR:

"B" BLACK

4. CONTACT FINISH:

"01" GOLD FLASH

"03" 3 MICROINCH GOLD

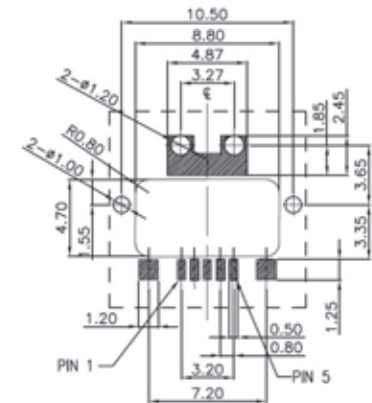
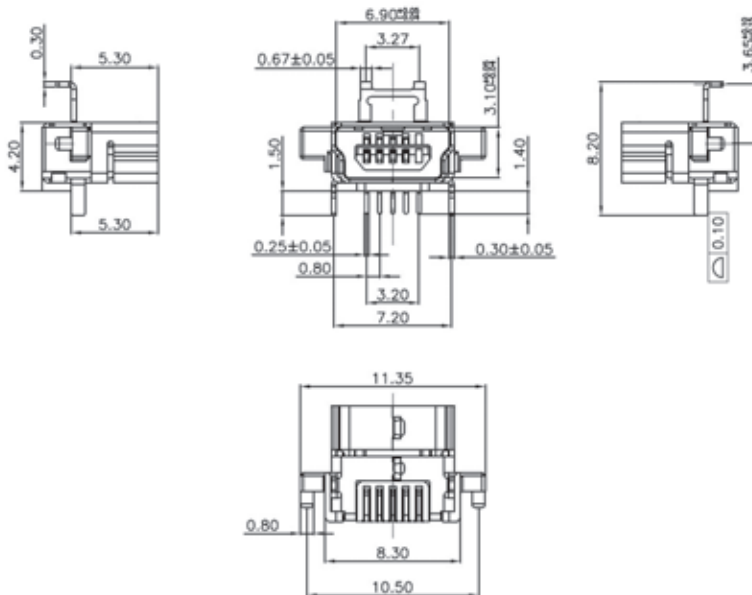
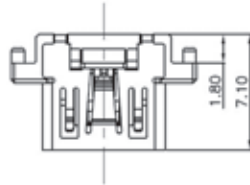
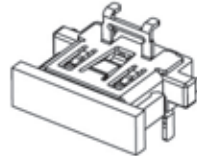
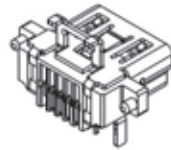
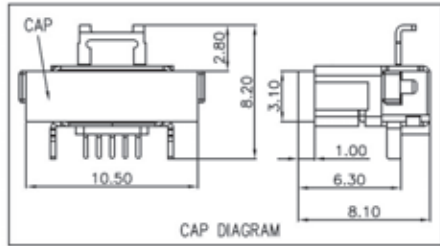
"15" 15 MICROINCH GOLD

"30" 30 MICROINCH GOLD

DRAWING REVISED

P/N REVISED

MINI USB B TYPE 5 PIN FEMALE CONNECTOR BOARD CUT SMT TYPE



Recommended P.C.Board Layout
(TOLERANCES: ± 0.05)

SPECIFICATIONS

Current Rating: 1.0 Amp

Contact Resistance: 25 Milliohm Max.

Insulation Resistance: 1000 Megohm Min. At 500V

Dielectric Withstanding: 1000V At 1 Minute

Operating Temperature: -55°C to +105°C

MATERIALS

Insulator: THERMOPLASTIC, UL94V-0 RATED

Contact: Brass

Shell: Brass, Steel

Contact Plating: Selective Gold Over Nickel Plated

Shell Plating: Tin Or Nickel Over Copper Plated

*RoHS & REACH compliant.

ORDERING INFORMATION:

P/N U M 9 G - 0 5 F B x x
1 2 3 4

1. NO. OF CONTACTS:

05

2. CONNECTOR TYPE:

"F" FEMALE

3. INSULATOR COLOR:

"B" BLACK

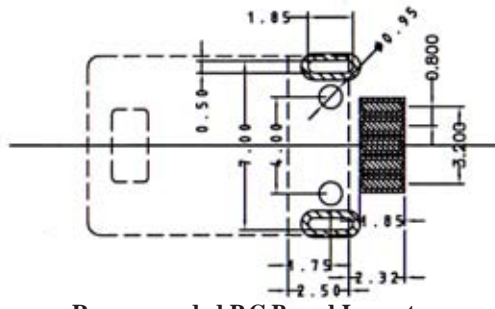
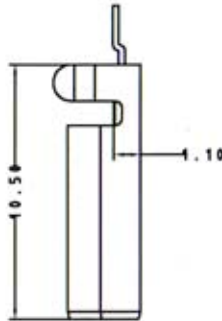
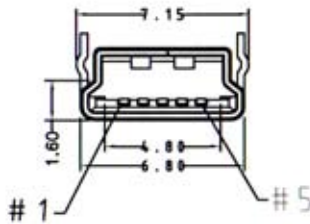
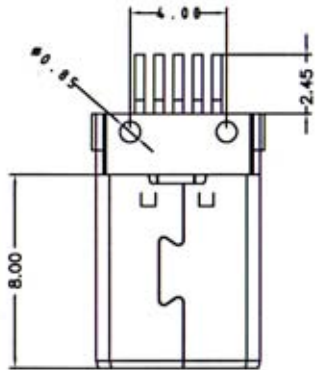
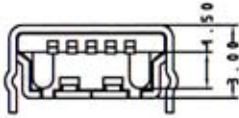
4. CONTACT FINISH:

"01" GOLD FLASH

"15" 15 MICROINCH GOLD

"30" 30 MICROINCH GOLD

MINI USB B TYPE 5 PIN MALE CONNECTOR SMT TYPE



Recommended P.C.Board Layout
(TOLERANCE: ± 0.10)

SPECIFICATIONS

Current Rating: 1.0 Amp

Contact Resistance: 25 Milliohm Max.

Insulation Resistance: 1000 Megohm Min. At 500V

Dielectric Withstanding: 1000V At 1 Minute

Operating Temperature: -55°C to +105°C

MATERIALS

Insulator: THERMOPLASTIC, UL94V-0 RATED

Contact: Brass

Shell: Brass, Steel

Contact Plating: Selective Gold Over Nickel Plated

Shell Plating: Tin Or Nickel Over Copper Plated

*RoHS & REACH compliant.

ORDERING INFORMATION:

P/N U M 7 1 - 0 5 M B x x
1 2 3 4

1. NO. OF CONTACTS:

05

2. CONNECTOR TYPE:

"M" MALE

3. INSULATOR COLOR:

"B" BLACK

4. CONTACT FINISH:

"03" 3 MICROINCH GOLD

"30" 30 MICROINCH GOLD

MINI USB AB TYPE 5 PIN FEMALE CONNECTOR SMT TYPE

SPECIFICATIONS

Current Rating: 1.0 Amp

Contact Resistance: 25 Milliohm Max.

Insulation Resistance: 1000 Megohm Min. At 500V

Dielectric Withstanding: 1000V At 1 Minute

Operating Temperature: -55°C to +105°C

MATERIALS

Insulator: THERMOPLASTIC, UL94V-0 RATED

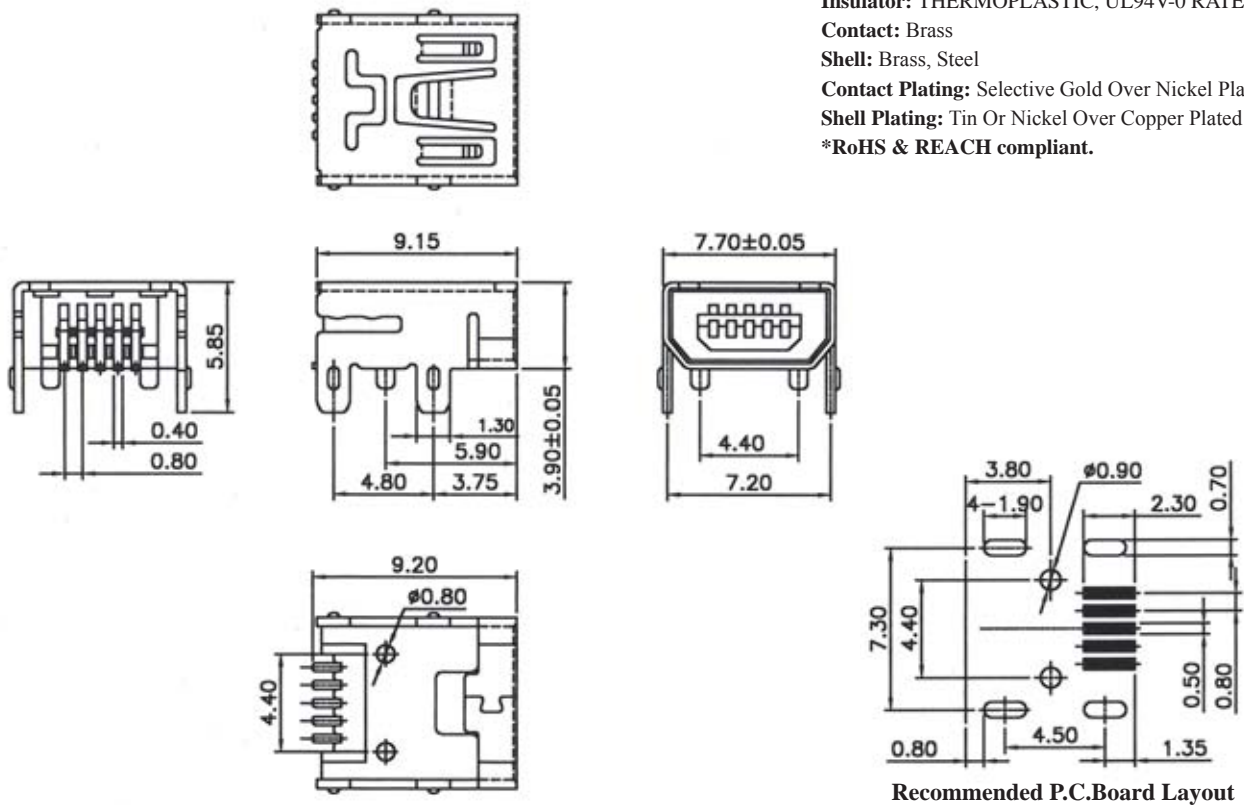
Contact: Brass

Shell: Brass, Steel

Contact Plating: Selective Gold Over Nickel Plated

Shell Plating: Tin Or Nickel Over Copper Plated

*RoHS & REACH compliant.



ORDERING INFORMATION:

P/N U M 7 2 - 0 5 F B x x
1 2 3 4

1. NO. OF CONTACTS:

05

2. CONNECTOR TYPE:

"F" FEMALE

3. INSULATOR COLOR:

"B" BLACK

4. CONTACT FINISH:

"01" GOLD FLASH

"05" 5 MICROINCH GOLD

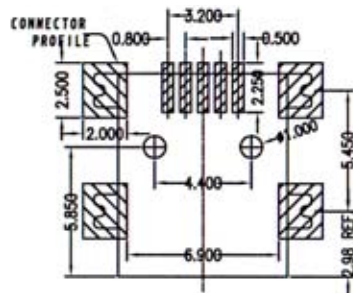
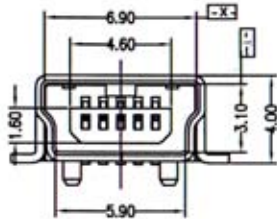
"15" 15 MICROINCH GOLD

"30" 30 MICROINCH GOLD

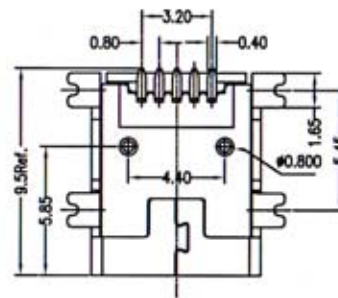
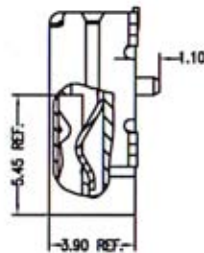
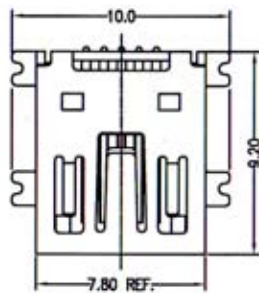
DRAWING REVISED

P/N REVISED

MINI USB B TYPE 5 PIN FEMALE CONNECTOR SMT TYPE



Recommended P.C.Board Layout
(TOLERANCES: ± 0.10)



SPECIFICATIONS

Current Rating: 1.0 Amp

Contact Resistance: 25 Milliohm Max.

Insulation Resistance: 1000 Megohm Min. At 500V

Dielectric Withstanding: 1000V At 1 Minute

Operating Temperature: -55°C to +105°C

MATERIALS

Insulator: THERMOPLASTIC, UL94V-0 RATED

Contact: Brass

Shell: Brass, Steel

Contact Plating: Selective Gold Over Nickel Plated

Shell Plating: Tin Or Nickel Over Copper Plated

*RoHS & REACH compliant.

ORDERING INFORMATION:

P/N U M 7 3 - 0 5 F B x x
1 2 3 4

1. NO. OF CONTACTS:

05

2. CONNECTOR TYPE:

"F" FEMALE

3. INSULATOR COLOR:

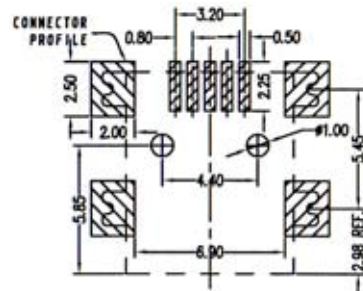
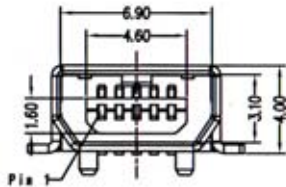
"B" BLACK

4. CONTACT FINISH:

"03" 3 MICROINCH GOLD

"30" 30 MICROINCH GOLD

MINI USB AB TYPE 5 PIN FEMALE CONNECTOR SMT TYPE



Recommended P.C.Board Layout

SPECIFICATIONS

Current Rating: 1.0 Amp

Contact Resistance: 25 Milliohm Max.

Insulation Resistance: 1000 Megohm Min. At 500V

Dielectric Withstanding: 1000V At 1 Minute

Operating Temperature: -55°C to +105°C

MATERIALS

Insulator: THERMOPLASTIC, UL94V-0 RATED

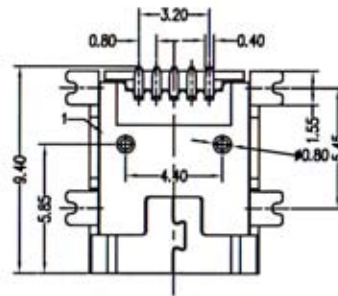
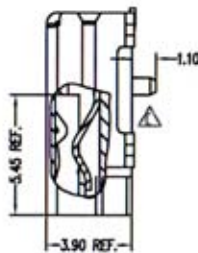
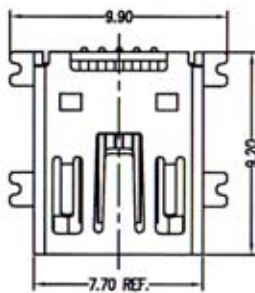
Contact: Brass

Shell: Brass, Steel

Contact Plating: Selective Gold Over Nickel Plated

Shell Plating: Tin Or Nickel Over Copper Plated

*RoHS & REACH compliant.



ORDERING INFORMATION:

P/N U M 7 4 - 0 5 F B x x
1 2 3 4

1. NO. OF CONTACTS:

05

2. CONNECTOR TYPE:

"F" FEMALE

3. INSULATOR COLOR:

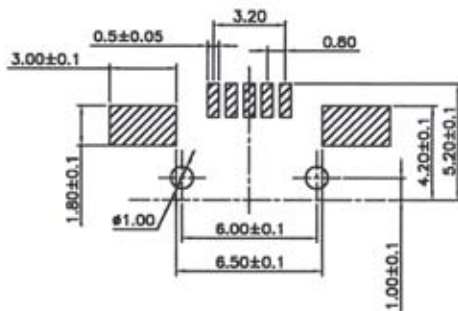
"B" BLACK

4. CONTACT FINISH:

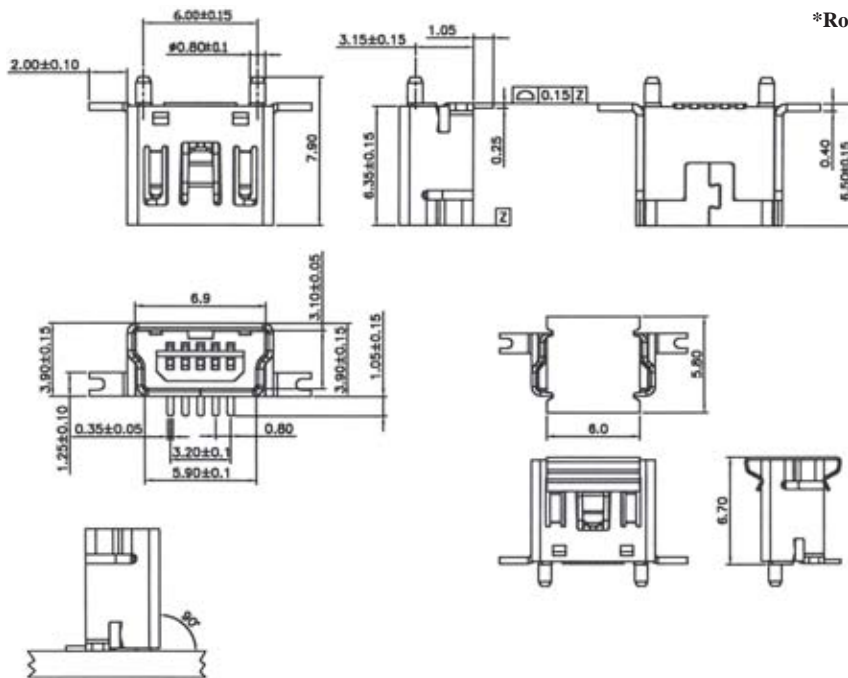
"03" 3 MICROINCH GOLD

"30" 30 MICROINCH GOLD

MINI USB B TYPE 5 PIN FEMALE CONNECTOR SMT TYPE



Recommended P.C.Board Layout



SPECIFICATIONS

Current Rating: 1.0 Amp

Contact Resistance: 25 Milliohm Max.

Insulation Resistance: 1000 Megohm Min. At 500V

Dielectric Withstanding: 1000V At 1 Minute

Operating Temperature: -55°C to +105°C

MATERIALS

Insulator: THERMOPLASTIC, UL94V-0 RATED

Contact: Brass

Shell: Brass, Steel

Contact Plating: Selective Gold Over Nickel Plated

Shell Plating: Tin Or Nickel Over Copper Plated

*RoHS & REACH compliant.

ORDERING INFORMATION:

P/N U M 7 5 - 0 5 F B 3 0
 1 2 3 4

DRAWING REVISED

P/N REVISED

1. NO. OF CONTACTS:

05

2. CONNECTOR TYPE:

"F" FEMALE

3. INSULATOR COLOR:

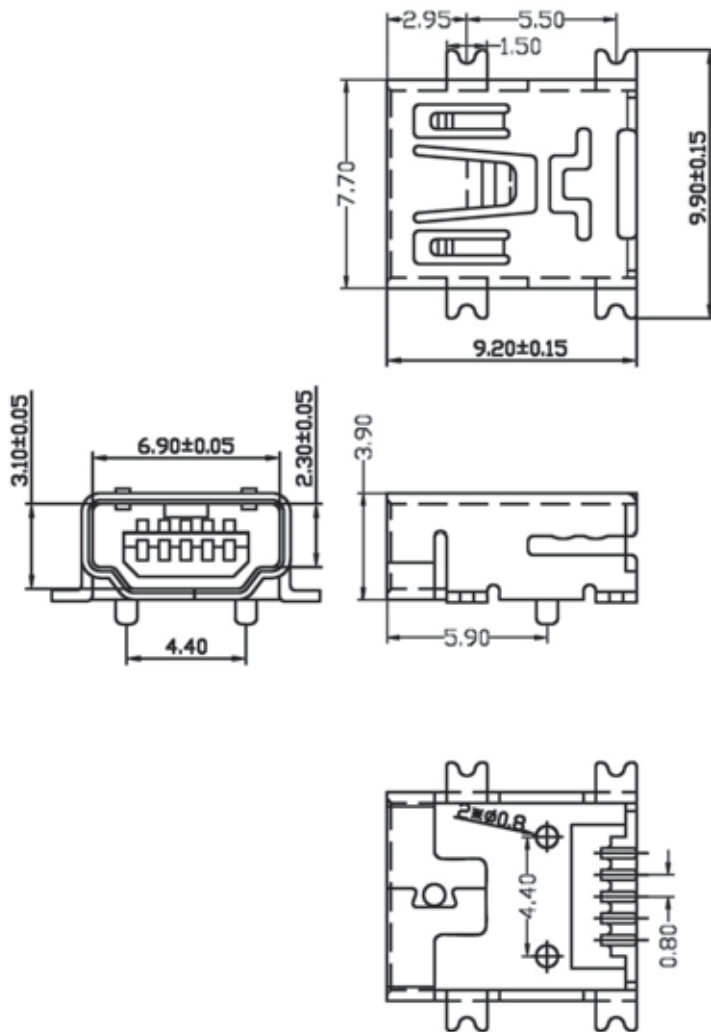
"B" BLACK

4. CONTACT FINISH:

"01" GOLD FLASH

"15" 15 MICROINCH GOLD

MINI USB A TYPE 5 PIN FEMALE CONNECTOR SMT TYPE



SPECIFICATIONS

Current Rating: 1.0 Amp

Contact Resistance: 25 Milliohm Max.

Insulation Resistance: 1000 Megohm Min. At 500V

Dielectric Withstanding: 1000V At 1 Minute

Operating Temperature: -55°C to +105°C

MATERIALS

Insulator: Thermoplastic, UL94V-0 Rated

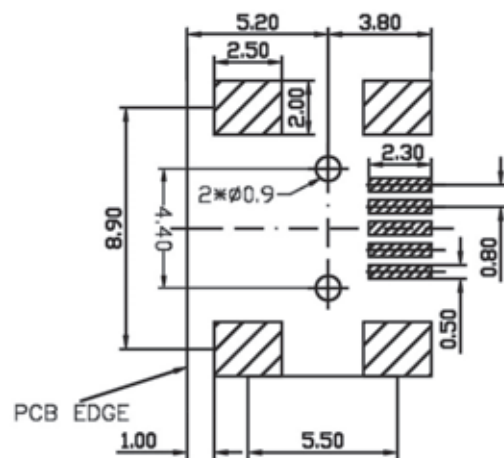
Contact: Brass

Shell: Brass, Steel

Contact Plating: Selective Gold Over Nickel Plated

Shell Plating: Tin Or Nickel Over Copper Plated

*RoHS & REACH compliant.



Recommended P.C. Board Layout

ORDERING INFORMATION:

P/N U M 3 1 - 0 5 F B x x
1 2 3 4

1. NO. OF CONTACTS:

05

2. CONNECTOR TYPE:

"F" FEMALE

3. INSULATOR COLOR:

"B" BLACK

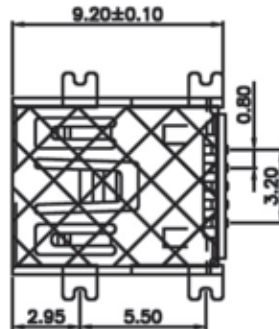
4. CONTACT FINISH:

"15" 15 MICROINCH GOLD

"30" 30 MICROINCH GOLD

"01" GOLD FLASH

MINI USB B TYPE 5 PIN FEMALE CONNECTOR SMT TYPE WITH POSTS



SPECIFICATIONS

Current Rating: 1.0 Amp

Contact Resistance: 25 Milliohm Max.

Insulation Resistance: 1000 Megohm Min. At 500V

Dielectric Withstanding: 1000V At 1 Minute

Operating Temperature: -55°C to +105°C

MATERIALS

Insulator: Thermoplastic, UL94V-0 Rated

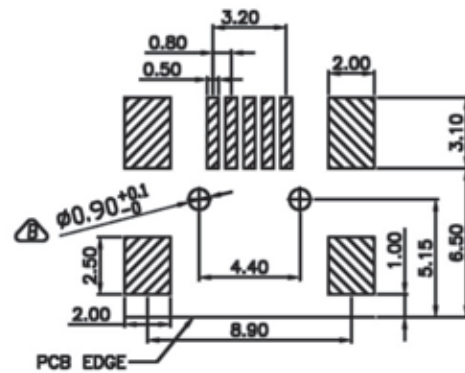
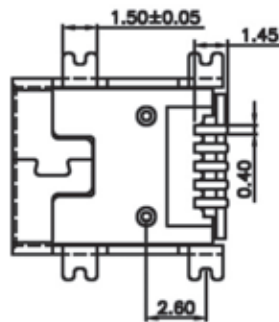
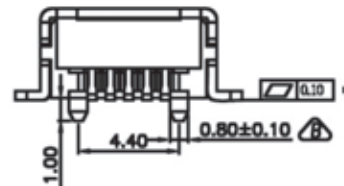
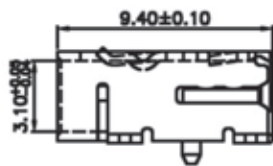
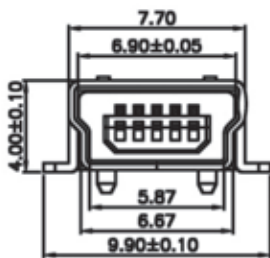
Contact: Brass

Shell: Brass, Steel

Contact Plating: Selective Gold Over Nickel Plated

Shell Plating: Tin Or Nickel Over Copper Plated

*RoHS & REACH compliant.



Recommended P.C.Board Layout

ORDERING INFORMATION:

P/N U M 6 4 - 0 5 F B x x
 1 2 3 4

1. NO. OF CONTACTS:

05

2. CONNECTOR TYPE:

"F" FEMALE

3. INSULATOR COLOR:

"B" BLACK

4. CONTACT FINISH:

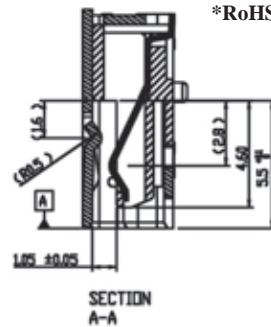
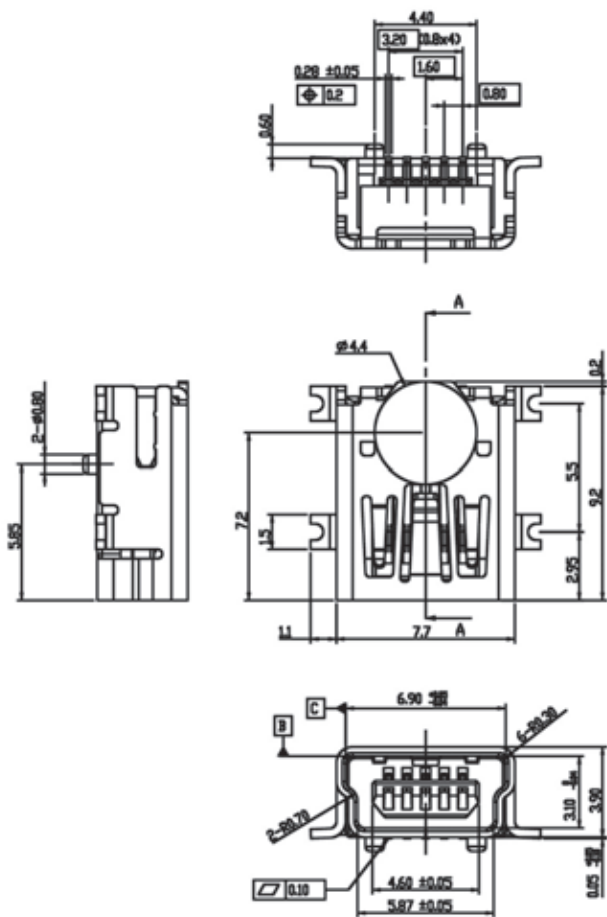
"03" 3 MICROINCH GOLD

"15" 15 MICROINCH GOLD

"30" 30 MICROINCH GOLD

"01" GOLD FLASH

MINI USB B TYPE 5 PIN FEMALE CONNECTOR SMT TYPE



SPECIFICATIONS

Current Rating: 1.0 Amp

Contact Resistance: 25 Milliohm Max.

Insulation Resistance: 1000 Megohm Min. At 500V

Dielectric Withstanding: 1000V At 1 Minute

Operating Temperature: -55°C to +105°C

MATERIALS

Insulator: Thermoplastic, UL94V-0 Rated

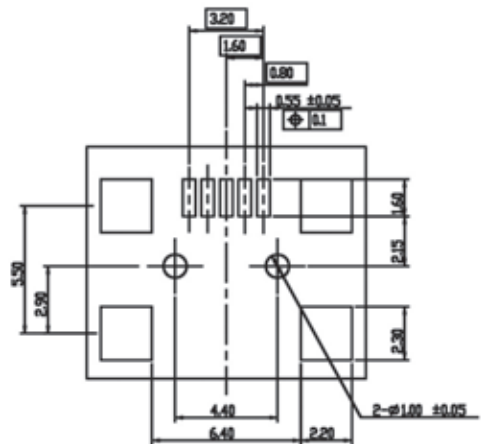
Contact: Brass

Shell: Brass, Steel

Contact Plating: Selective Gold Over Nickel Plated

Shell Plating: Tin Or Nickel Over Copper Plated

*RoHS & REACH compliant.



Recommended P.C.Board Layout

ORDERING INFORMATION:

P/N U M 6 5 - 0 5 F B x x
 1 2 3 4

1. NO. OF CONTACTS:

05

2. CONNECTOR TYPE:

"F" FEMALE

3. INSULATOR COLOR:

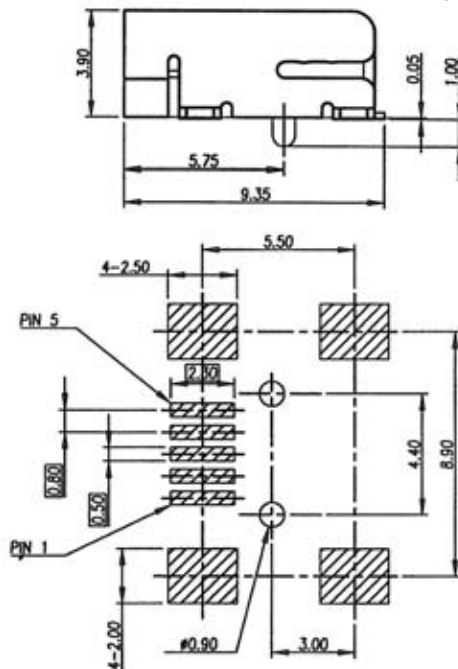
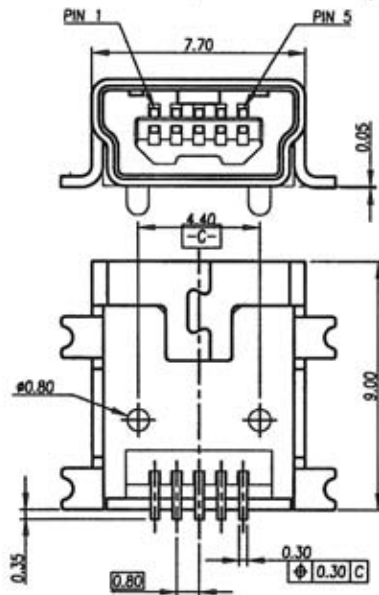
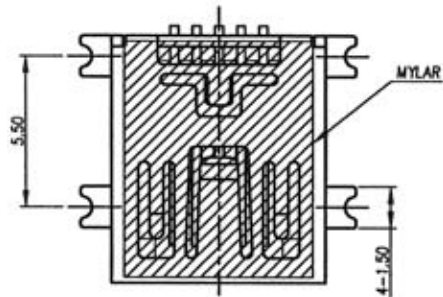
"B" BLACK

4. CONTACT FINISH:

"30" 30 MICROINCH GOLD

"01" GOLD FLASH

MINI USB B TYPE 5 PIN FEMALE CONNECTOR SMT TYPE



Recommended P.C.Board Layout

SPECIFICATIONS

Current Rating: 1.0 Amp

Contact Resistance: 25 Milliohm Max.

Insulation Resistance: 1000 Megohm Min. At 500V

Dielectric Withstanding: 1000V At 1 Minute

Operating Temperature: -55°C to +105°C

MATERIALS

Insulator: THERMOPLASTIC, UL94V-0 RATED

Contact: Brass

Shell: Brass, Steel

Contact Plating: Selective Gold Over Nickel Plated

Shell Plating: Tin Or Nickel Over Copper Plated

*RoHS & REACH compliant.

ORDERING INFORMATION:

P/N U M $\frac{xx}{1}$ - 0 5 F B $\frac{xx}{2}$

1. POST & PACKAGE OPTION:

"56" W/O POST & PACKING: TUBE

"57" W/O POST & PACKING: REEL

"58" WITH POST & PACKING: TUBE

"59" WITH POST & PACKING: REEL

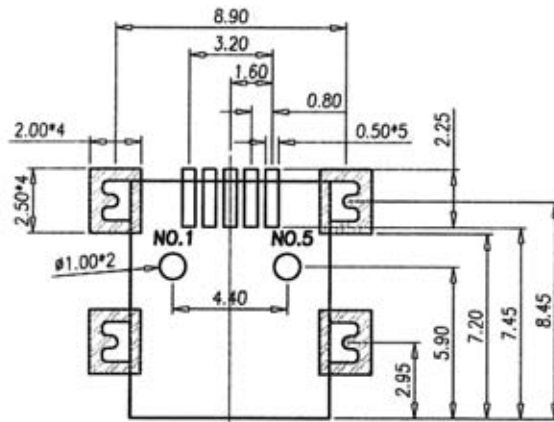
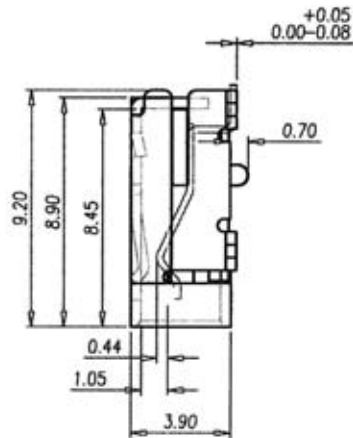
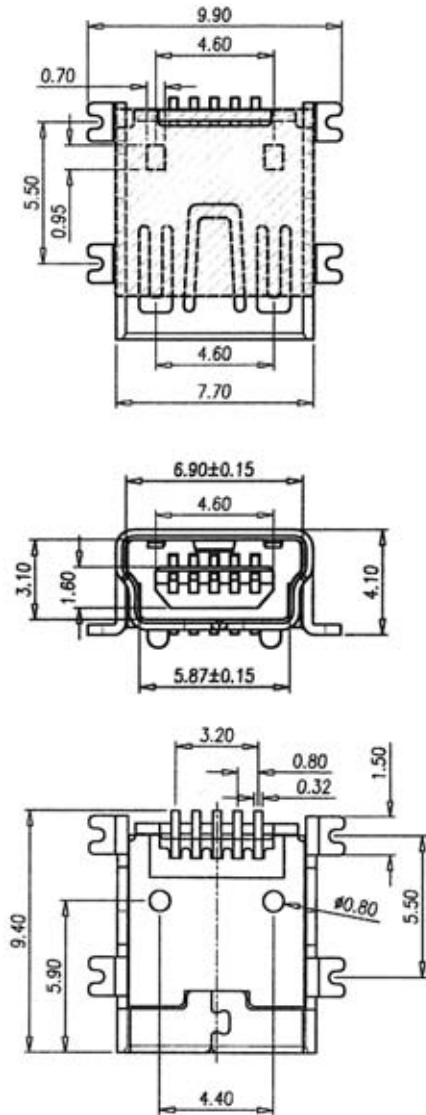
2. CONTACT FINISH:

"01" GOLD FLASH

"15" 15 MICROINCH GOLD

"30" 30 MICROINCH GOLD

MINI USB B TYPE 5 PIN FEMALE CONNECTOR SMT TYPE



Recommended P.C.Board Layout

SPECIFICATIONS

Current Rating: 1.0 Amp

Contact Resistance: 25 Milliohm Max.

Insulation Resistance: 1000 Megohm Min. At 500V

Dielectric Withstanding: 1000V At 1 Minute

Operating Temperature: -55°C to +105°C

MATERIALS

Insulator: THERMOPLASTIC, UL94V-0 RATED

Contact: Brass

Shell: Brass, Steel

Contact Plating: Selective Gold Over Nickel Plated

Shell Plating: Tin Or Nickel Over Copper Plated

*RoHS & REACH compliant.

ORDERING INFORMATION:

P/N U M 1 4 - 0 5 F B x x
1 2 3 4

1. NO. OF CONTACTS:

05

2. CONNECTOR TYPE:

"F" FEMALE

3. INSULATOR COLOR:

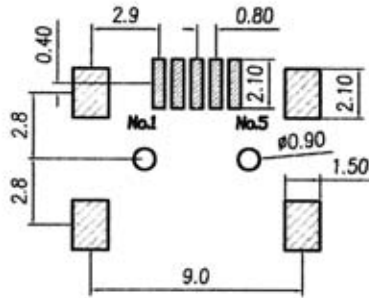
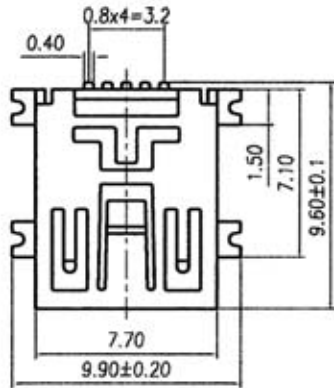
"B" BLACK

4. CONTACT FINISH:

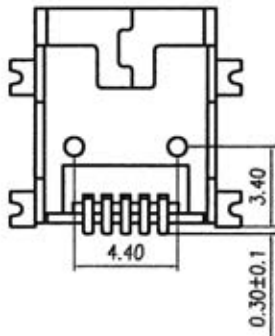
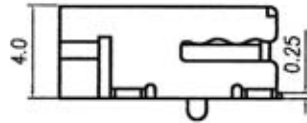
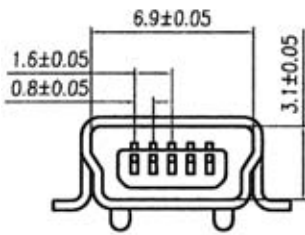
"01" GOLD FLASH

"30" 30 MICROINCH GOLD

MINI USB B TYPE 5 PIN FEMALE CONNECTOR SMT TYPE



Recommended P.C.Board Layout



SPECIFICATIONS

Current Rating: 1.0 Amp

Contact Resistance: 25 Milliohm Max.

Insulation Resistance: 1000 Megohm Min. At 500V

Dielectric Withstanding: 1000V At 1 Minute

Operating Temperature: -55°C to +105°C

MATERIALS

Insulator: THERMOPLASTIC, UL94V-0 RATED

Contact: Brass

Shell: Brass, Steel

Contact Plating: Selective Gold Over Nickel Plated

Shell Plating: Tin Or Nickel Over Copper Plated

*RoHS & REACH compliant.

ORDERING INFORMATION:

P/N U M 1 3 - 0 5 F B x x
 1 2 3 4

1. NO. OF CONTACTS:

05

2. CONNECTOR TYPE:

"F" FEMALE

3. INSULATOR COLOR:

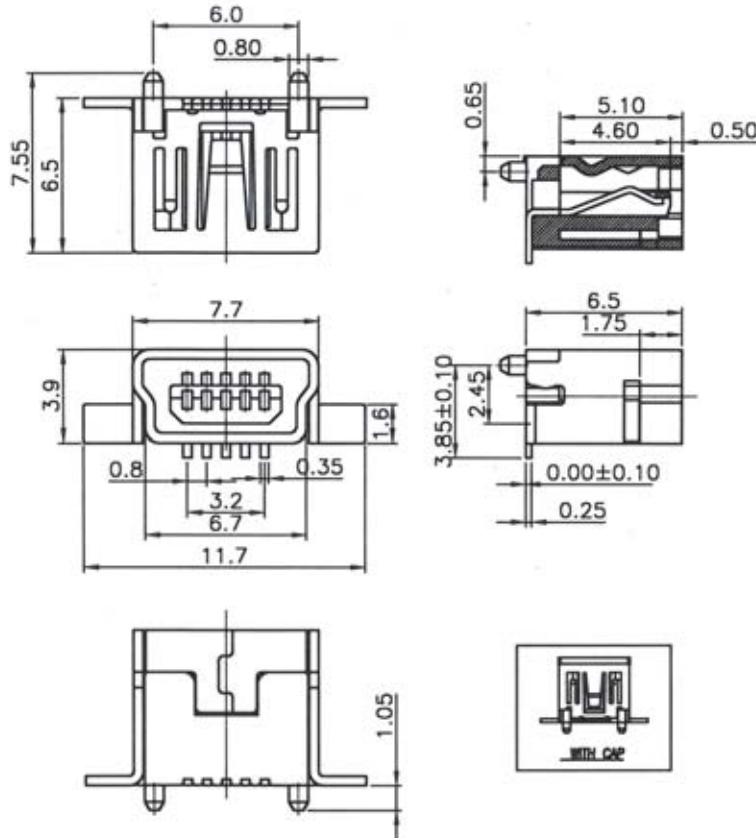
"B" BLACK

4. CONTACT FINISH:

"10" 10 MICROINCH GOLD

"30" 30 MICROINCH GOLD

MINI USB B TYPE 5 PIN FEMALE CONNECTOR SMT TYPE



SPECIFICATIONS

Current Rating: 1.0 Amp

Contact Resistance: 25 Milliohm Max.

Insulation Resistance: 1000 Megohm Min. At 500V

Dielectric Withstanding: 1000V At 1 Minute

Operating Temperature: -55°C to +105°C

MATERIALS

Insulator: THERMOPLASTIC, UL94V-0 RATED

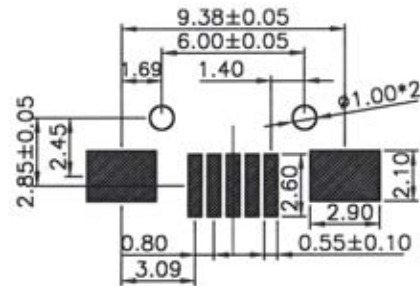
Contact: Brass

Shell: Brass, Steel

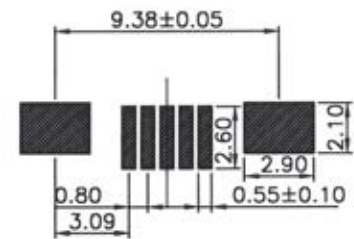
Contact Plating: Selective Gold Over Nickel Plated

Shell Plating: Tin Or Nickel Over Copper Plated

*RoHS & REACH compliant.



Recommended P.C.Board Layout



Recommended P.C.Board Layout
Without Post

ORDERING INFORMATION:

P/N U M $\frac{xx}{1}$ - 05 F B $\frac{xx}{5}$

1. POST OPTION:

"41" WITH POSTS

"42" WITHOUT POSTS

2. CONNECTOR TYPE:

"F" FEMALE

3. INSULATOR COLOR:

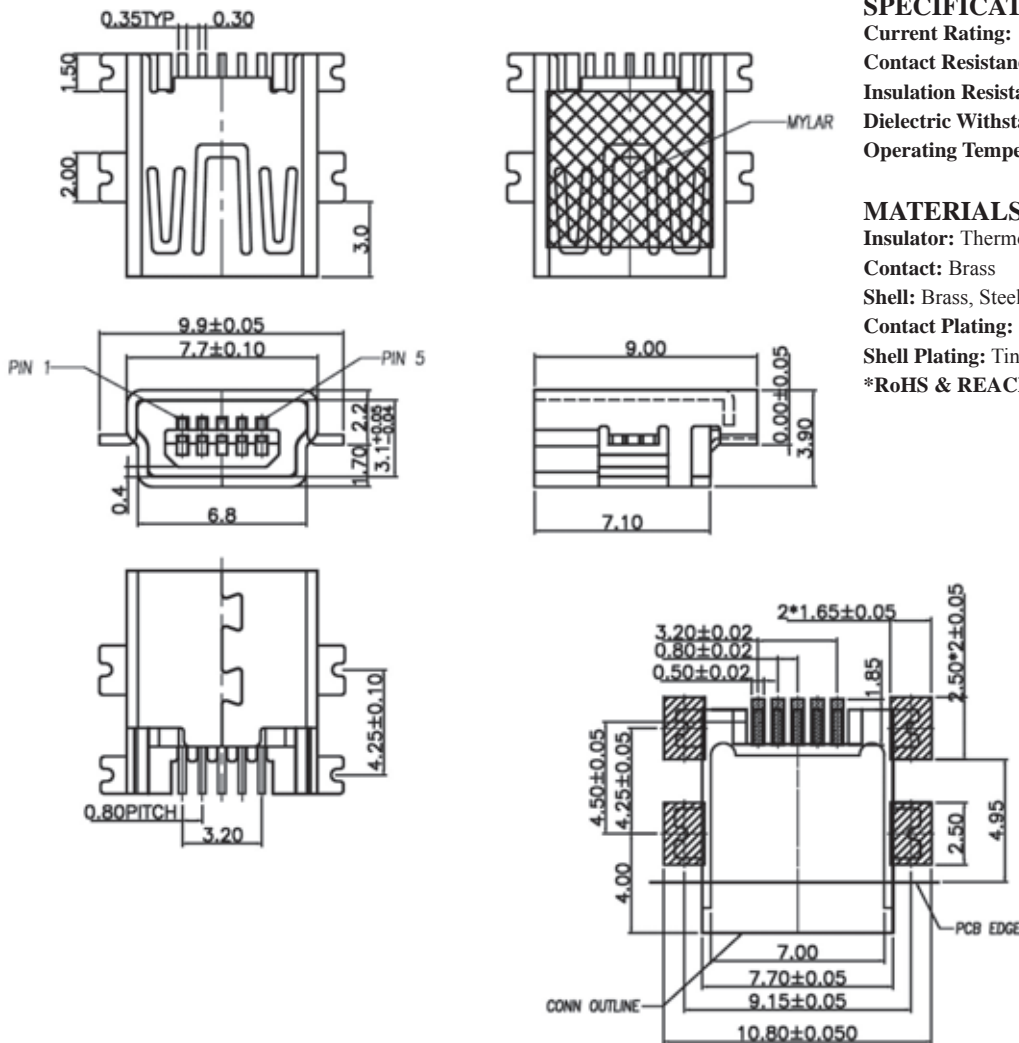
"B" BLACK

4. CONTACT FINISH:

"10" 10 MICROINCH GOLD

"30" 30 MICROINCH GOLD

MINI USB B TYPE 5 PIN FEMALE CONNECTOR BOARD CUT SMT TYPE



Recommended P.C.Board Layout

SPECIFICATIONS

Current Rating: 1.0 Amp

Contact Resistance: 25 Milliohm Max.

Insulation Resistance: 1000 Megohm Min. At 500V

Dielectric Withstanding: 1000V At 1 Minute

Operating Temperature: -55°C to +105°C

MATERIALS

Insulator: Thermoplastic, UL94V-0 Rated

Contact: Brass

Shell: Brass, Steel

Contact Plating: Selective Gold Over Nickel Plated

Shell Plating: Tin Or Nickel Over Copper Plated

***RoHS & REACH compliant.**

ORDERING INFORMATION:

P/N U M 4 9 - 0 5 F B x x
 1 2 3 4

1. NO. OF CONTACTS:

05

2. CONNECTOR TYPE:

"F" FEMALE

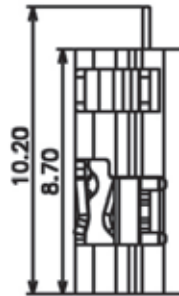
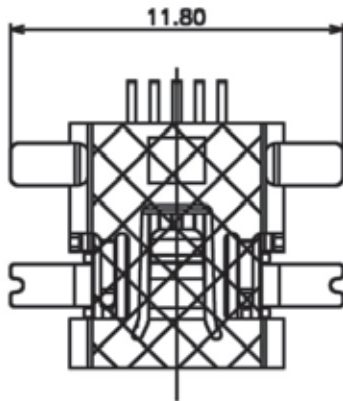
3. INSULATOR COLOR:

"B" BLACK

4. CONTACT FINISH:

"10" 10 MICROINCH GOLD

MINI USB B TYPE 5 PIN FEMALE CONNECTOR BOARD CUT SMT TYPE L=10.20MM



SPECIFICATIONS

Current Rating: 1.0 Amp

Contact Resistance: 25 Milliohm Max.

Insulation Resistance: 1000 Megohm Min. At 500V

Dielectric Withstanding: 1000V At 1 Minute

Operating Temperature: -55°C to +105°C

MATERIALS

Insulator: Thermoplastic, UL94V-0 Rated

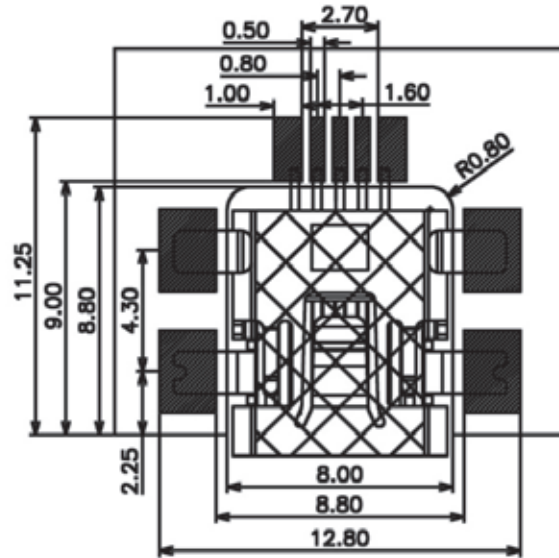
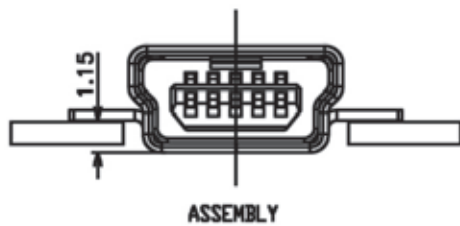
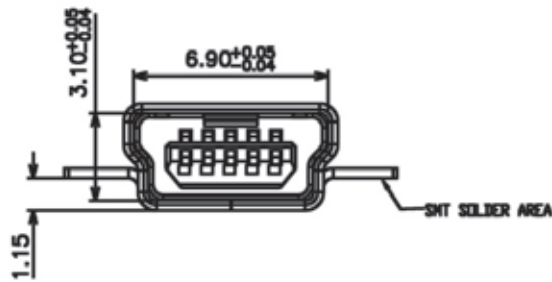
Contact: Brass

Shell: Brass, Steel

Contact Plating: Selective Gold Over Nickel Plated

Shell Plating: Tin Or Nickel Over Copper Plated

*RoHS & REACH compliant.



Recommended P.C.Board Layout

ORDERING INFORMATION:

P/N U M 3 4 - 0 5 F B x x
 1 2 3 4

1. NO. OF CONTACTS:

05

2. CONNECTOR TYPE:

"F" FEMALE

3. INSULATOR COLOR:

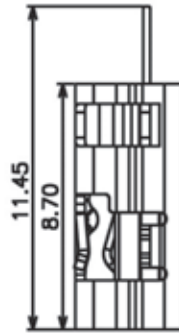
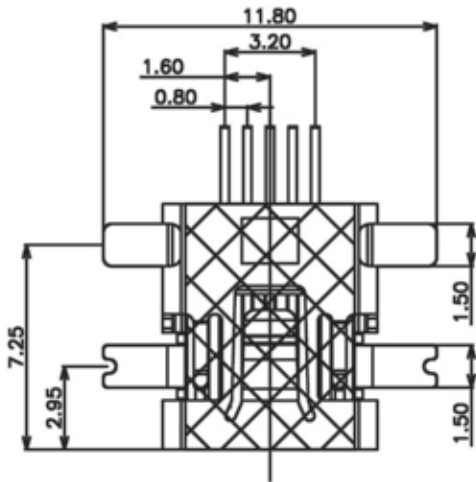
"B" BLACK

4. CONTACT FINISH:

"30" 30 MICROINCH GOLD

"01" GOLD FLASH

MINI USB B TYPE 5 PIN FEMALE CONNECTOR BOARD CUT SMT TYPE L=11.45MM



SPECIFICATIONS

Current Rating: 1.0 Amp

Contact Resistance: 25 Milliohm Max.

Insulation Resistance: 1000 Megohm Min. At 500V

Dielectric Withstanding: 1000V At 1 Minute

Operating Temperature: -55°C to +105°C

MATERIALS

Insulator: Thermoplastic, UL94V-0 Rated

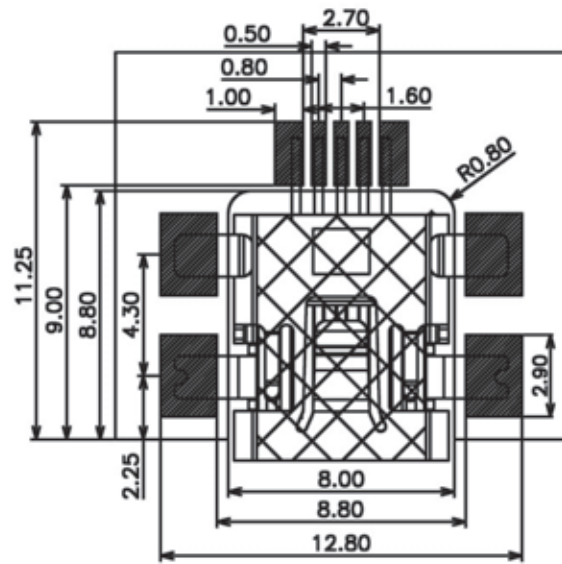
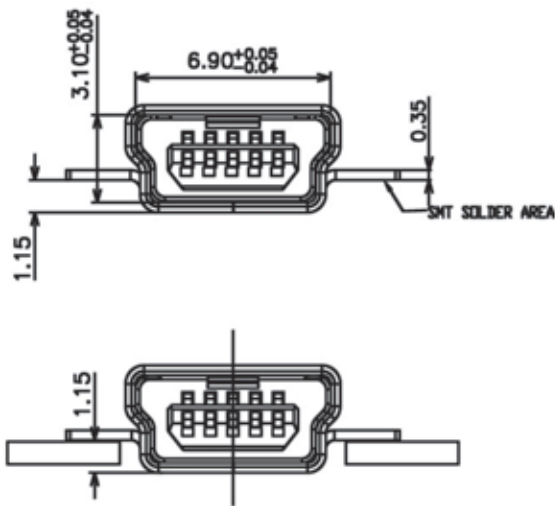
Contact: Brass

Shell: Brass, Steel

Contact Plating: Selective Gold Over Nickel Plated

Shell Plating: Tin Or Nickel Over Copper Plated

*RoHS & REACH compliant.



Recommended P.C.Board Layout

ORDERING INFORMATION:

P/N U M 3 3 - 0 5 F B x x
 1 2 3 4

1. NO. OF CONTACTS:

05

2. CONNECTOR TYPE:

"F" FEMALE

3. INSULATOR COLOR:

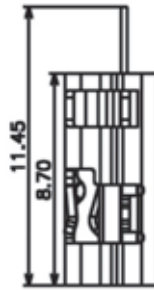
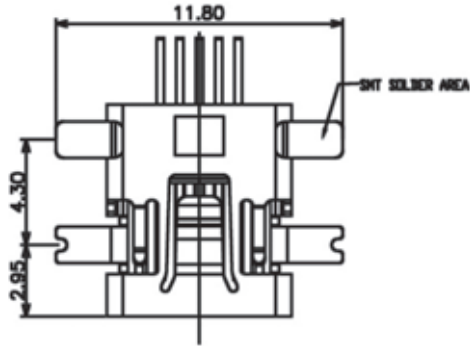
"B" BLACK

4. CONTACT FINISH:

"30" 30 MICROINCH GOLD

"01" GOLD FLASH

MINI USB B TYPE 5 PIN FEMALE CONNECTOR REVERSE MOUNT SMT TYPE



SPECIFICATIONS

Current Rating: 1.0 Amp

Contact Resistance: 25 Milliohm Max.

Insulation Resistance: 1000 Megohm Min. At 500V

Dielectric Withstanding: 1000V At 1 Minute

Operating Temperature: -55°C to +105°C

MATERIALS

Insulator: Thermoplastic, UL94V-0 Rated

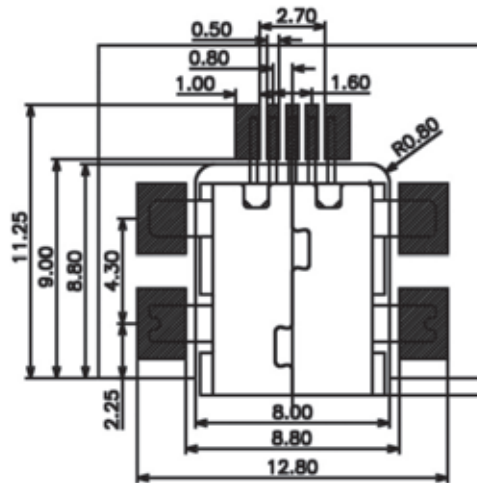
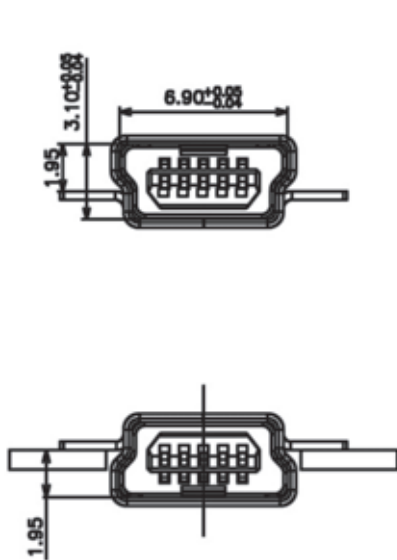
Contact: Brass

Shell: Brass, Steel

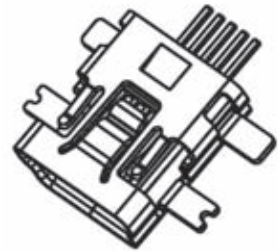
Contact Plating: Selective Gold Over Nickel Plated

Shell Plating: Tin Or Nickel Over Copper Plated

*RoHS & REACH compliant.



Recommended P.C.Board Layout



ORDERING INFORMATION:

P/N U M 3 5 - 0 5 F B x x
 1 2 3 4

1. NO. OF CONTACTS:

05

2. CONNECTOR TYPE:

"F" FEMALE

3. INSULATOR COLOR:

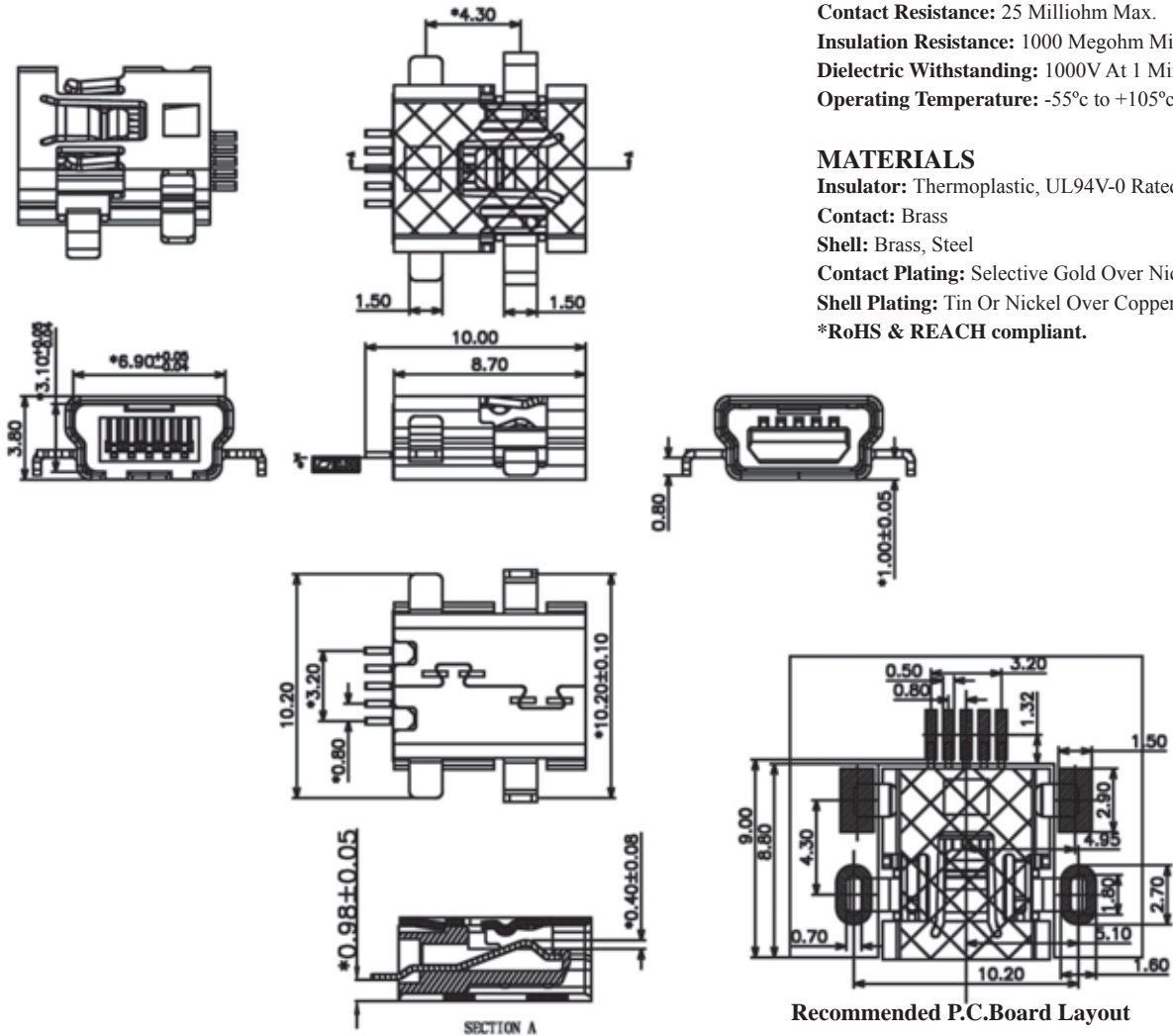
"B" BLACK

4. CONTACT FINISH:

"30" 30 MICROINCH GOLD

"01" GOLD FLASH

MINI USB B TYPE 5 PIN FEMALE CONNECTOR BOARD CUT SMT TYPE



SPECIFICATIONS

Current Rating: 1.0 Amp

Contact Resistance: 25 Milliohm Max.

Insulation Resistance: 1000 Megohm Min. At 500V

Dielectric Withstanding: 1000V At 1 Minute

Operating Temperature: -55°C to +105°C

MATERIALS

Insulator: Thermoplastic, UL94V-0 Rated

Contact: Brass

Shell: Brass, Steel

Contact Plating: Selective Gold Over Nickel Plated

Shell Plating: Tin Or Nickel Over Copper Plated

*RoHS & REACH compliant.

ORDERING INFORMATION:

P/N U M 3 2 - 0 5 F B x x
 1 2 3 4

1. NO. OF CONTACTS:

05

2. CONNECTOR TYPE:

"F" FEMALE

3. INSULATOR COLOR:

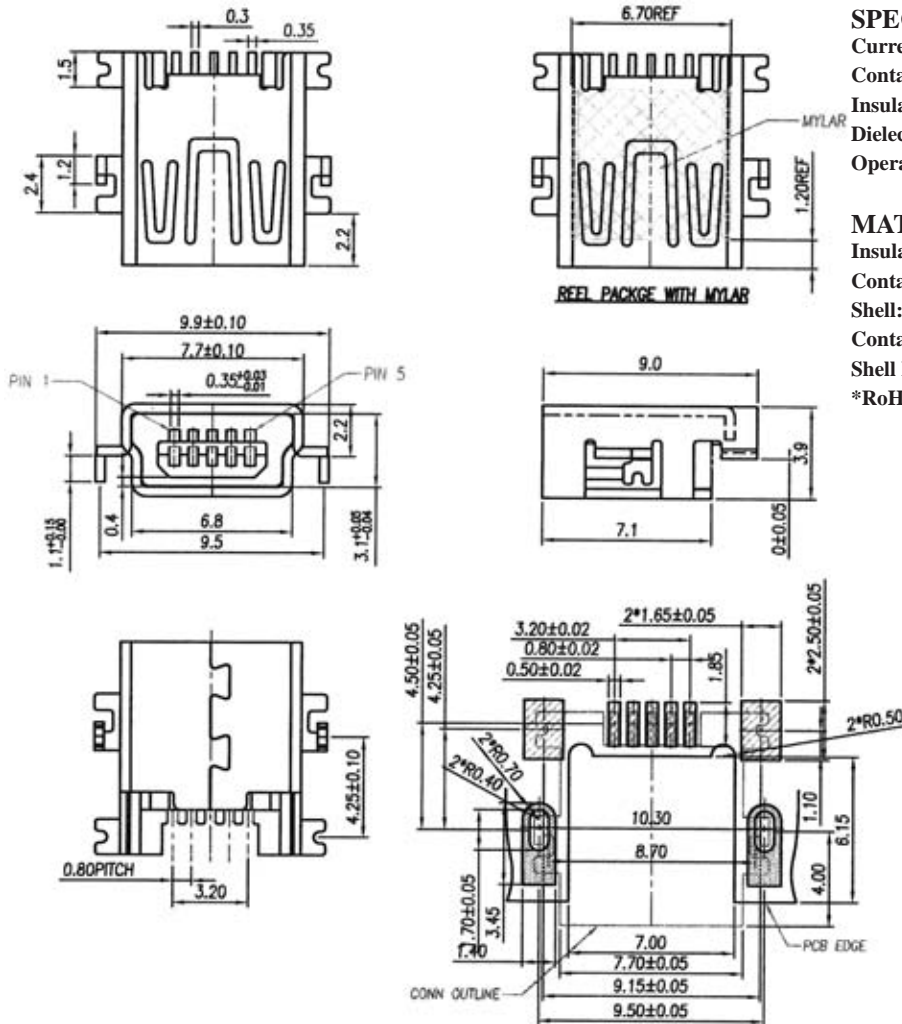
"B" BLACK

4. CONTACT FINISH:

"30" 30 MICROINCH GOLD

"01" GOLD FLASH

MINI USB B TYPE 5 PIN FEMALE CONNECTOR SMT TYPE



Recommended P.C.Board Layout

SPECIFICATIONS

Current Rating: 1.0 Amp

Contact Resistance: 25 Milliohm Max.

Insulation Resistance: 1000 Megohm Min. At 500V

Dielectric Withstanding: 1000V At 1 Minute

Operating Temperature: -55°C to +105°C

MATERIALS

Insulator: THERMOPLASTIC, UL94V-0 RATED

Contact: Brass

Shell: Brass, Steel

Contact Plating: Selective Gold Over Nickel Plated

Shell Plating: Tin Or Nickel Over Copper Plated

*RoHS & REACH compliant.

ORDERING INFORMATION:

P/N U M 4 3 - 0 5 F B 1 0
 1 2 3 4

1. NO. OF CONTACTS:

05

2. CONNECTOR TYPE:

"F" FEMALE

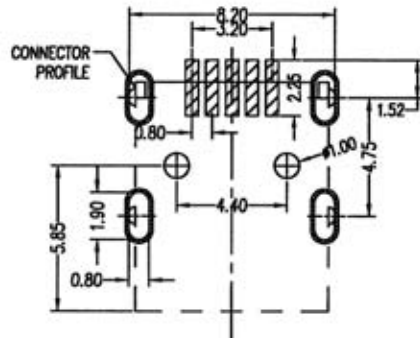
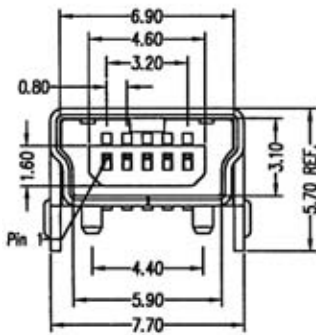
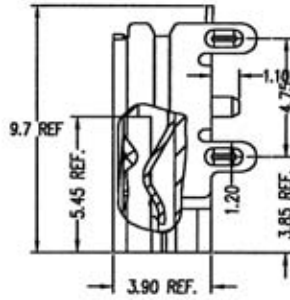
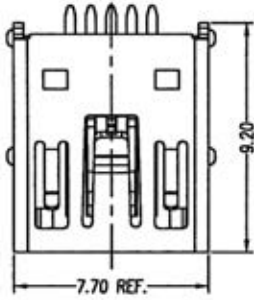
3. INSULATOR COLOR:

"B" BLACK

4. CONTACT FINISH:

"10" 10 MICROINCH GOLD

MINI USB B TYPE 5 PIN FEMALE CONNECTOR SMT TYPE



Recommended P.C.Board Layout

SPECIFICATIONS

Current Rating: 1.0 Amp

Contact Resistance: 25 Milliohm Max.

Insulation Resistance: 1000 Megohm Min. At 500V

Dielectric Withstanding: 1000V At 1 Minute

Operating Temperature: -55°C to +105°C

MATERIALS

Insulator: THERMOPLASTIC, UL94V-0 RATED

Contact: Brass

Shell: Brass, Steel

Contact Plating: Selective Gold Over Nickel Plated

Shell Plating: Tin Or Nickel Over Copper Plated

*RoHS & REACH compliant.

ORDERING INFORMATION:

P/N U M 7 6 - 0 5 F B x x
1 2 3 4

1. NO. OF CONTACTS:

05

2. CONNECTOR TYPE:

"F" FEMALE

3. INSULATOR COLOR:

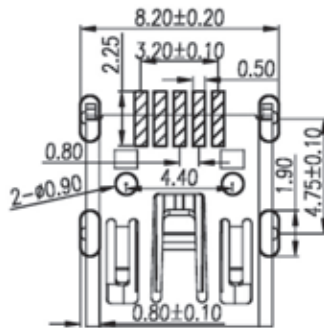
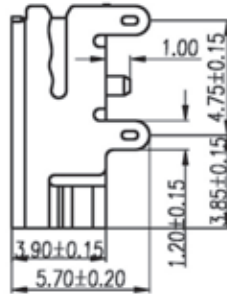
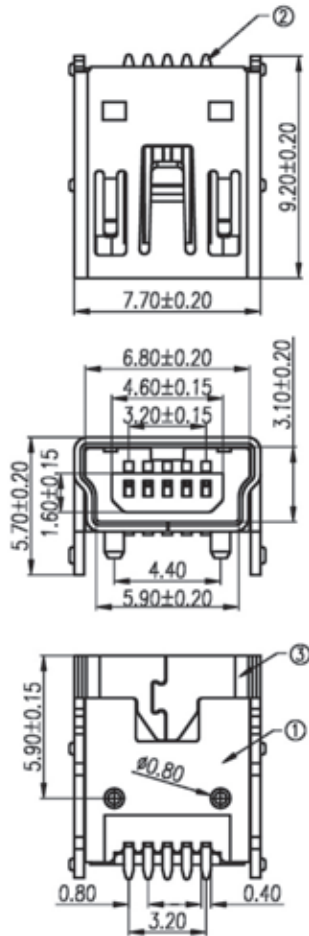
"B" BLACK

4. CONTACT FINISH:

"03" 3 MICROINCH GOLD

"30" 30 MICROINCH GOLD

MINI USB B TYPE 5 PIN FEMALE CONNECTOR SMT TYPE WITH POSTS



Recommended P.C.Board Layout



SPECIFICATIONS

Current Rating: 1.0 Amp

Contact Resistance: 25 Milliohm Max.

Insulation Resistance: 1000 Megohm Min. At 500V

Dielectric Withstanding: 1000V At 1 Minute

Operating Temperature: -55°C to +105°C

MATERIALS

Insulator: Thermoplastic, UL94V-0 Rated

Contact: Brass

Shell: Brass, Steel

Contact Plating: Selective Gold Over Nickel Plated

Shell Plating: Tin Or Nickel Over Copper Plated

*RoHS & REACH compliant.

ORDERING INFORMATION:

P/N U M 9 A - 0 5 F B x x
 1 2 3 4

1. NO. OF CONTACTS:

05

2. CONNECTOR TYPE:

"F" FEMALE

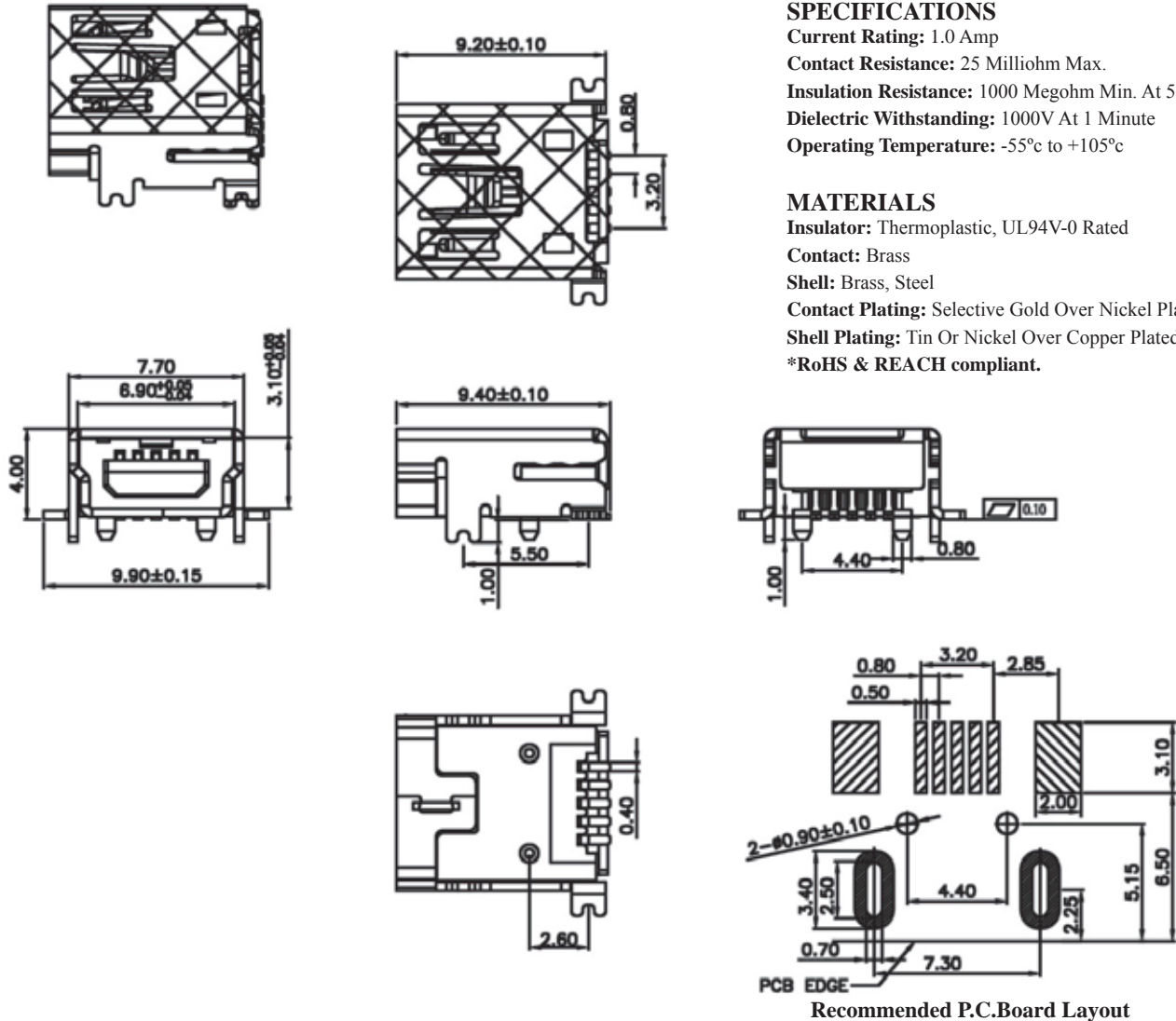
3. INSULATOR COLOR:

"B" BLACK

4. CONTACT FINISH:

"01" GOLD FLASH

MINI USB B TYPE 5 PIN FEMALE CONNECTOR SMT+DIP TYPE



SPECIFICATIONS

Current Rating: 1.0 Amp

Contact Resistance: 25 Milliohm Max.

Insulation Resistance: 1000 Megohm Min. At 500V

Dielectric Withstanding: 1000V At 1 Minute

Operating Temperature: -55°C to +105°C

MATERIALS

Insulator: Thermoplastic, UL94V-0 Rated

Contact: Brass

Shell: Brass, Steel

Contact Plating: Selective Gold Over Nickel Plated

Shell Plating: Tin Or Nickel Over Copper Plated

*RoHS & REACH compliant.

ORDERING INFORMATION:

P/N U M 3 0 - 0 5 F B x x
 1 2 3 4

1. NO. OF CONTACTS:

05

2. CONNECTOR TYPE:

"F" FEMALE

3. INSULATOR COLOR:

"B" BLACK

4. CONTACT FINISH:

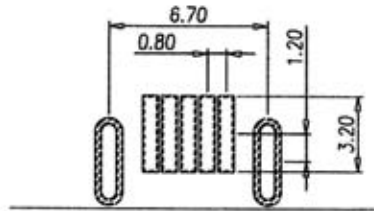
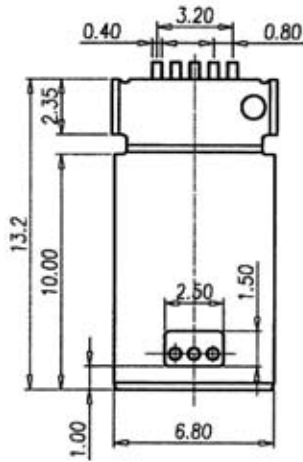
"03" 3 MICROINCH GOLD

"15" 15 MICROINCH GOLD

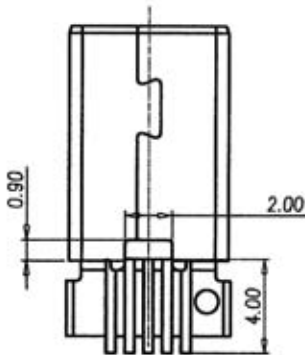
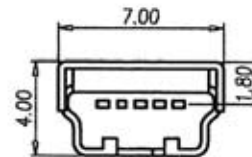
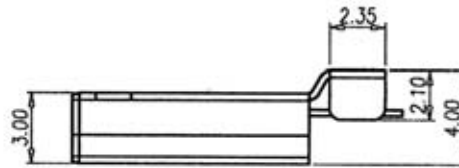
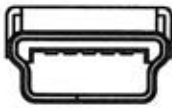
"30" 30 MICROINCH GOLD

"01" GOLD FLASH

MINI USB B TYPE 5 PIN MALE CONNECTOR SMT TYPE



Recommended P.C.Board Layout



SPECIFICATIONS

Current Rating: 1.0 Amp

Contact Resistance: 25 Milliohm Max.

Insulation Resistance: 1000 Megohm Min. At 500V

Dielectric Withstanding: 1000V At 1 Minute

Operating Temperature: -55°C to +105°C

MATERIALS

Insulator: THERMOPLASTIC, UL94V-0 RATED

Contact: Brass

Shell: Brass, Steel

Contact Plating: Selective Gold Over Nickel Plated

Shell Plating: Tin Or Nickel Over Copper Plated

*RoHS & REACH compliant.

ORDERING INFORMATION:

P/N U M 4 4 - 0 5 M B 1 0
1 2 3 4

1. NO. OF CONTACTS:

05

2. CONNECTOR TYPE:

"M" MALE

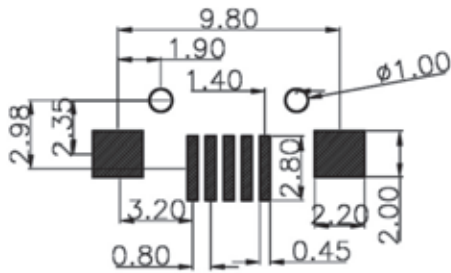
3. INSULATOR COLOR:

"B" BLACK

4. CONTACT FINISH:

"10" 10 MICROINCH GOLD

MINI USB AB TYPE 5 PIN FEMALE CONNECTOR SMT TYPE



Recommended P.C.Board Layout

SPECIFICATIONS

Current Rating: 1.0 Amp

Contact Resistance: 25 Milliohm Max.

Insulation Resistance: 1000 Megohm Min. At 500V

Dielectric Withstanding: 1000V At 1 Minute

Operating Temperature: -55°C to +105°C

MATERIALS

Insulator: Thermoplastic, UL94V-0 Rated

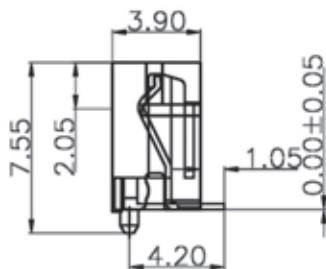
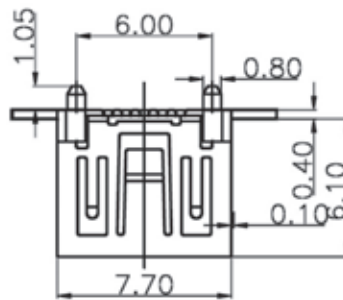
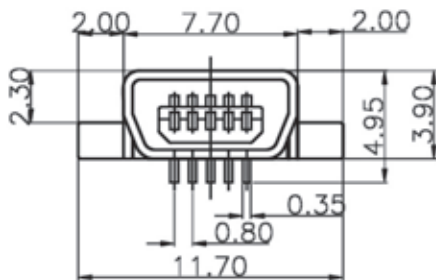
Contact: Brass

Shell: Brass, Steel

Contact Plating: Selective Gold Over Nickel Plated

Shell Plating: Tin Or Nickel Over Copper Plated

*RoHS & REACH compliant.



ORDERING INFORMATION:

P/N U M 0 9 - 0 5 F B x x
1 2 3 4

1. NO. OF CONTACTS:

05

2. CONNECTOR TYPE:

"F" FEMALE

3. INSULATOR COLOR:

"B" BLACK

4. CONTACT FINISH:

"10" 10 MICROINCH GOLD

MINI USB AB TYPE 5 PIN FEMALE CONNECTOR SMT TYPE

SPECIFICATIONS

Current Rating: 1.0 Amp

Contact Resistance: 25 Milliohm Max.

Insulation Resistance: 1000 Megohm Min. At 500V

Dielectric Withstanding: 1000V At 1 Minute

Operating Temperature: -55°C to +105°C

MATERIALS

Insulator: Thermoplastic, UL94V-0 Rated

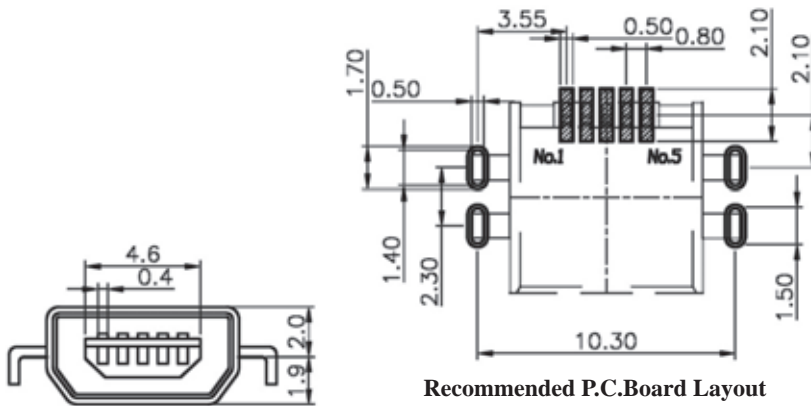
Contact: Brass

Shell: Brass, Steel

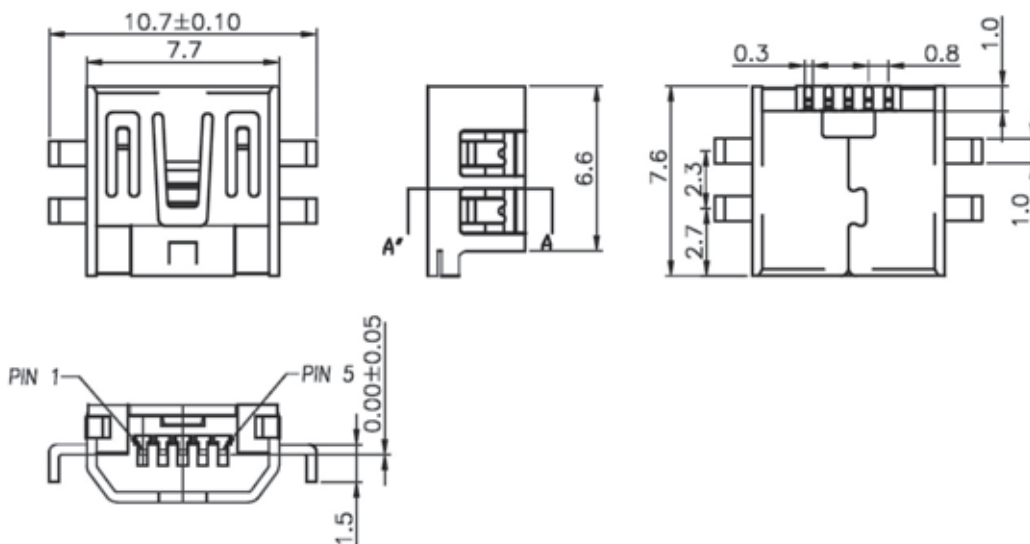
Contact Plating: Selective Gold Over Nickel Plated

Shell Plating: Tin Or Nickel Over Copper Plated

*RoHS & REACH compliant.



Recommended P.C.Board Layout



ORDERING INFORMATION:

P/N U M 0 8 - 0 5 F B x x
1 2 3 4

1. NO. OF CONTACTS:

05

2. CONNECTOR TYPE:

"F" FEMALE

3. INSULATOR COLOR:

"B" BLACK

4. CONTACT FINISH:

"10" 10 MICROINCH GOLD

MINI USB AB TYPE 5 PIN FEMALE CONNECTOR SMT TYPE

SPECIFICATIONS

Current Rating: 1.0 Amp

Contact Resistance: 25 Milliohm Max.

Insulation Resistance: 1000 Megohm Min. At 500V

Dielectric Withstanding: 1000V At 1 Minute

Operating Temperature: -55°C to +105°C

MATERIALS

Insulator: Thermoplastic, UL94V-0 Rated

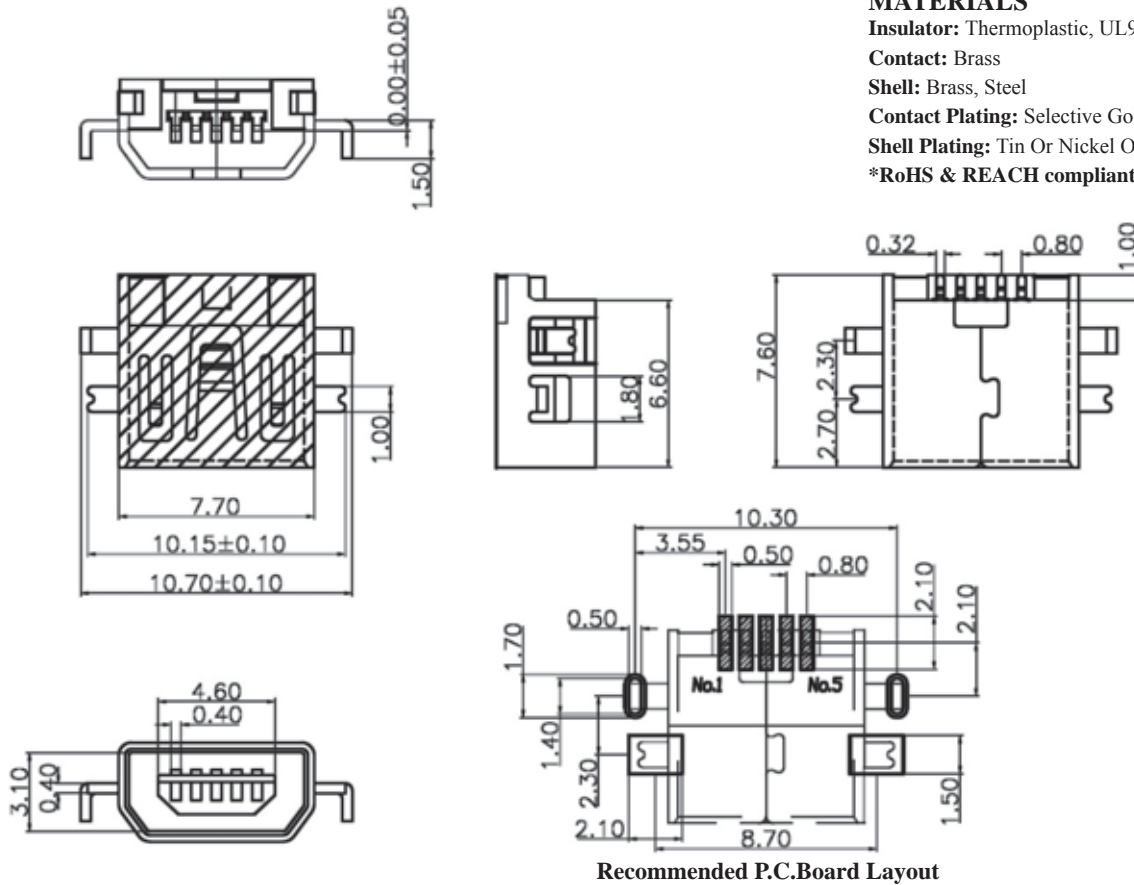
Contact: Brass

Shell: Brass, Steel

Contact Plating: Selective Gold Over Nickel Plated

Shell Plating: Tin Or Nickel Over Copper Plated

***RoHS & REACH compliant.**



ORDERING INFORMATION:

P/N U M 0 7 - 0 5 F B x x
1 2 3 4

1. NO. OF CONTACTS:

05

2. CONNECTOR TYPE:

"F" FEMALE

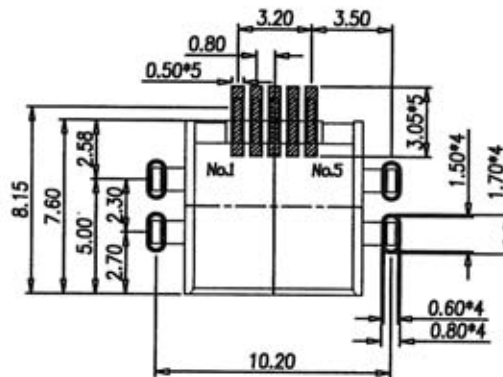
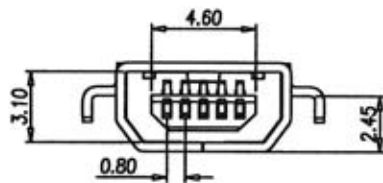
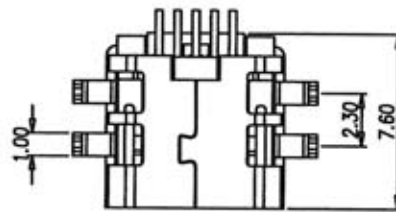
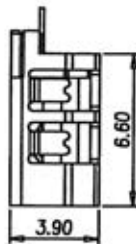
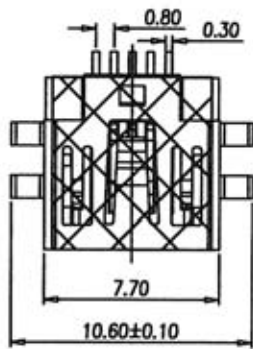
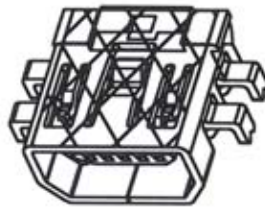
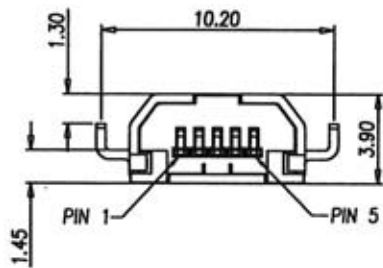
3. INSULATOR COLOR:

"B" BLACK

4. CONTACT FINISH:

"10" 10 MICROINCH GOLD

MINI USB AB TYPE 5 PIN FEMALE CONNECTOR SMT TYPE



Recommended P.C.Board Layout

SPECIFICATIONS

Current Rating: 1.0 Amp

Contact Resistance: 25 Milliohm Max.

Insulation Resistance: 1000 Megohm Min. At 500V

Dielectric Withstanding: 1000V At 1 Minute

Operating Temperature: -55°C to +105°C

MATERIALS

Insulator: THERMOPLASTIC, UL94V-0 RATED

Contact: Brass

Shell: Brass, Steel

Contact Plating: Selective Gold Over Nickel Plated

Shell Plating: Tin Or Nickel Over Copper Plated

*RoHS & REACH compliant.

ORDERING INFORMATION:

P/N U M 3 8 - 0 5 F B 1 0
1 2 3 4

1. NO. OF CONTACTS:

05

2. CONNECTOR TYPE:

"F" FEMALE

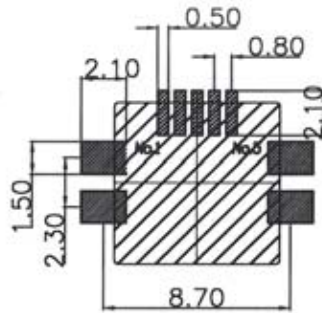
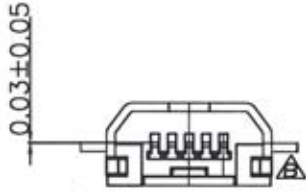
3. INSULATOR COLOR:

"B" BLACK

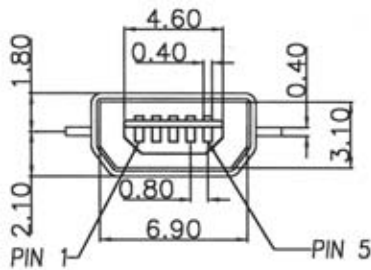
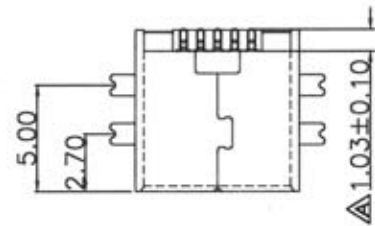
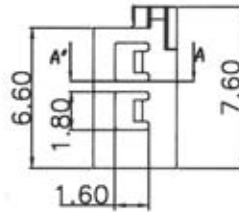
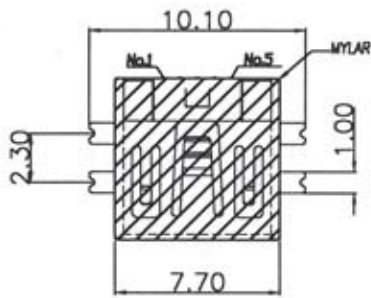
4. CONTACT FINISH:

"10" 10 MICROINCH GOLD

MINI USB AB TYPE 5 PIN FEMALE CONNECTOR SMT TYPE



Recommended P.C.Board Layout



SPECIFICATIONS

Current Rating: 1.0 Amp

Contact Resistance: 25 Milliohm Max.

Insulation Resistance: 1000 Megohm Min. At 500V

Dielectric Withstanding: 1000V At 1 Minute

Operating Temperature: -55°C to +105°C

MATERIALS

Insulator: THERMOPLASTIC, UL94V-0 RATED

Contact: Brass

Shell: Brass, Steel

Contact Plating: Selective Gold Over Nickel Plated

Shell Plating: Tin Or Nickel Over Copper Plated

*RoHS & REACH compliant.

ORDERING INFORMATION:

P/N U M 3 9 - 0 5 F B 1 0
1 2 3 4

1. NO. OF CONTACTS:

05

2. CONNECTOR TYPE:

"F" FEMALE

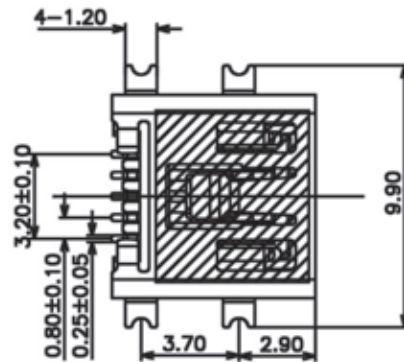
3. INSULATOR COLOR:

"B" BLACK

4. CONTACT FINISH:

"10" 10 MICROINCH GOLD

MINI USB AB TYPE 5 PIN FEMALE CONNECTOR SMT TYPE WITH SHORT BODY



SPECIFICATIONS

Current Rating: 1.0 Amp

Contact Resistance: 25 Milliohm Max.

Insulation Resistance: 1000 Megohm Min. At 500V

Dielectric Withstanding: 1000V At 1 Minute

Operating Temperature: -55°C to +105°C

MATERIALS

Insulator: Thermoplastic, UL94V-0 Rated

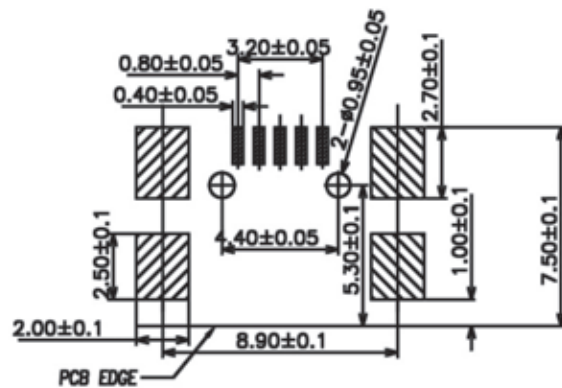
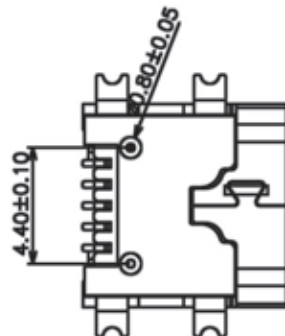
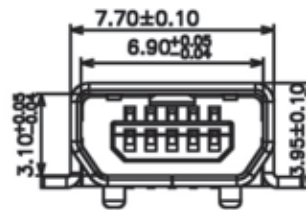
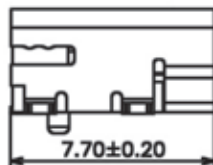
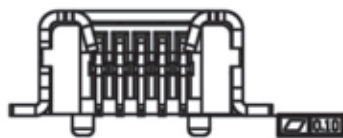
Contact: Brass

Shell: Brass, Steel

Contact Plating: Selective Gold Over Nickel Plated

Shell Plating: Tin Or Nickel Over Copper Plated

*RoHS & REACH compliant.



Recommended P.C. Board Layout

ORDERING INFORMATION:

P/N U M 6 8 - 0 5 F B x x
1 2 3 4

1. NO. OF CONTACTS:

05

2. CONNECTOR TYPE:

"F" FEMALE

3. INSULATOR COLOR:

"B" BLACK

4. CONTACT FINISH:

"03" 3 MICROINCH GOLD

"15" 15 MICROINCH GOLD

"30" 30 MICROINCH GOLD

"01" GOLD FLASH