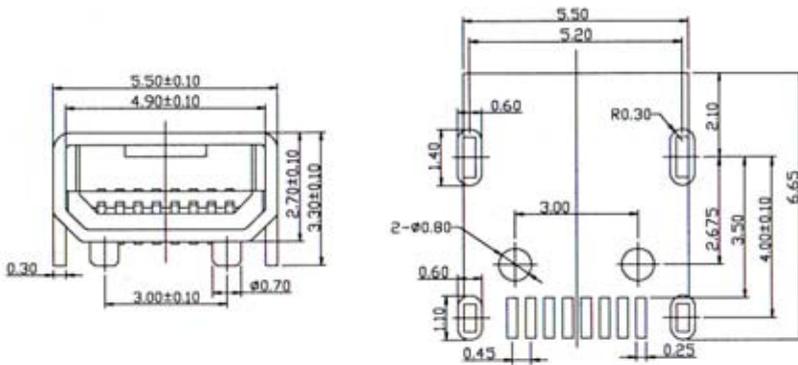
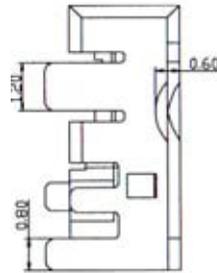
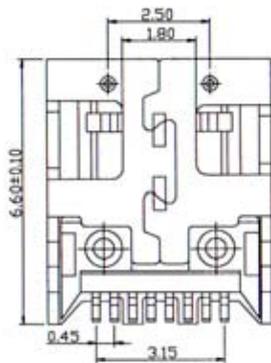


MINI USB 8 PIN FEMALE CONNECTOR SMT TYPE



Recommended P.C.Board Layout
(TOP VIEW)



SPECIFICATIONS

Current Rating: 1.0 Amp

Contact Resistance: 25 Milliohm Max.

Insulation Resistance: 1000 Megohm Min. At 500V

Dielectric Withstanding: 1000V At 1 Minute

Operating Temperature: -55°C to +105°C

MATERIALS

Insulator: THERMOPLASTIC, UL94V-0 RATED

Contact: Brass

Shell: Brass, Steel

Contact Plating: Selective Gold Over Nickel Plated

Shell Plating: Tin Or Nickel Over Copper Plated

*RoHS & REACH compliant.

ORDERING INFORMATION:

P/N U M 8 2 - 0 8 F B x x G
1 2 3 4 5

P/N REVISED

1. NO. OF CONTACTS:

08

2. CONNECTOR TYPE:

"F" FEMALE

3. INSULATOR COLOR:

"B" BLACK

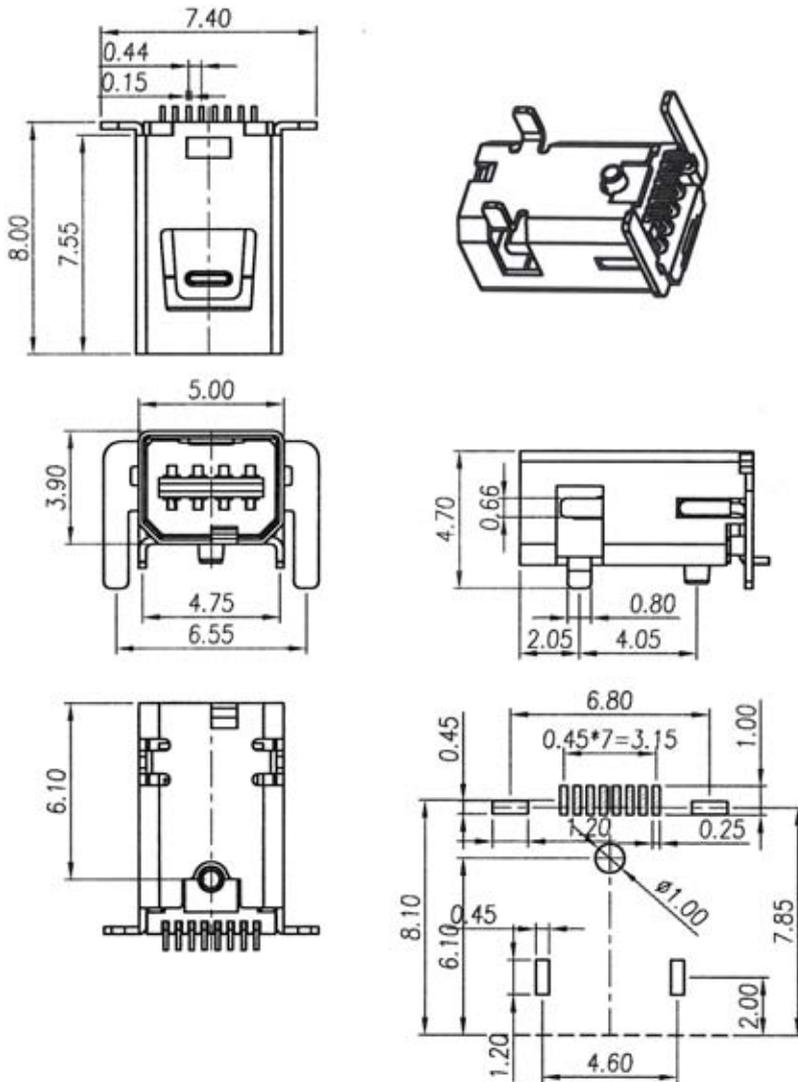
4. CONTACT FINISH:

"10" 10 MICROINCH GOLD

5. SHELL FINISH:

"G" GOLD FLASH

MINI USB 8 PIN FEMALE CONNECTOR SMT TYPE



Recommended P.C.Board Layout

SPECIFICATIONS

Current Rating: 1.0 Amp

Contact Resistance: 25 Milliohm Max.

Insulation Resistance: 1000 Megohm Min. At 500V

Dielectric Withstanding: 1000V At 1 Minute

Operating Temperature: -55°C to +105°C

MATERIALS

Insulator: THERMOPLASTIC, UL94V-0 RATED

Contact: Brass

Shell: Brass, Steel

Contact Plating: Selective Gold Over Nickel Plated

Shell Plating: Tin Or Nickel Over Copper Plated

*RoHS & REACH compliant.

ORDERING INFORMATION:

P/N U M 8 4 - 0 8 F B 0 3
 1 2 3 4

1. NO. OF CONTACTS:

08

2. CONNECTOR TYPE:

"F" FEMALE

3. INSULATOR COLOR:

"B" BLACK

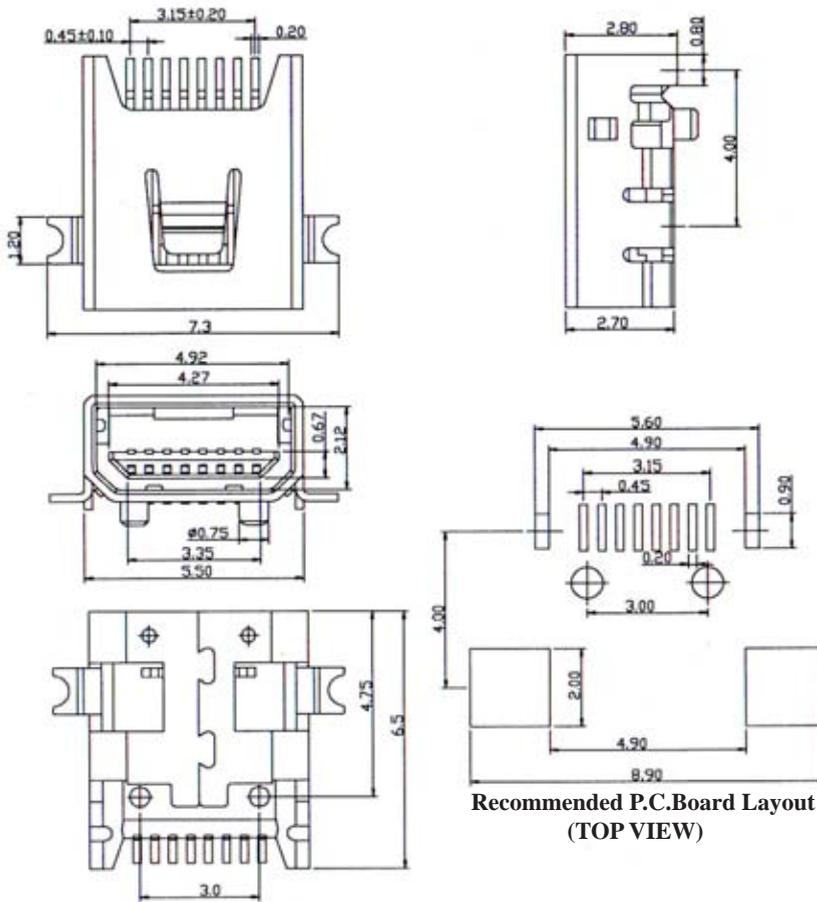
4. CONTACT FINISH:

"03" 3 MICROINCH GOLD

DRAWING REVISED

P/N REVISED

MINI USB 8 PIN FEMALE CONNECTOR SMT TYPE WITH GROUNDING PAD



SPECIFICATIONS

Current Rating: 1.0 Amp

Contact Resistance: 25 Milliohm Max.

Insulation Resistance: 1000 Megohm Min. At 500V

Dielectric Withstanding: 1000V At 1 Minute

Operating Temperature: -55°C to +105°C

MATERIALS

Insulator: THERMOPLASTIC, UL94V-0 RATED

Contact: Brass

Shell: Brass, Steel

Contact Plating: Selective Gold Over Nickel Plated

Shell Plating: Tin Or Nickel Over Copper Plated

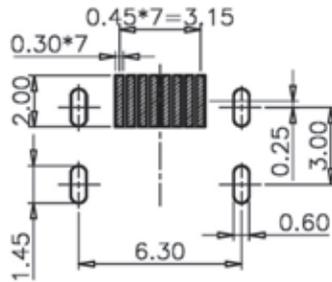
*RoHS & REACH compliant.

ORDERING INFORMATION:

P/N U M 8 7 - 0 8 F B x x
1 2 3 4

1. NO. OF CONTACTS:
08
2. CONNECTOR TYPE:
"F" FEMALE
3. INSULATOR COLOR:
"B" BLACK
4. CONTACT FINISH:
"01" GOLD FLASH

MINI USB 8 PIN MALE CONNECTOR REVERSE MOUNT SMT TYPE



Recommended P.C.Board Layout

SPECIFICATIONS

Current Rating: 1.0 Amp

Contact Resistance: 25 Milliohm Max.

Insulation Resistance: 1000 Megohm Min. At 500V

Dielectric Withstanding: 1000V At 1 Minute

Operating Temperature: -55°C to +105°C

MATERIALS

Insulator: Thermoplastic, UL94V-0 Rated

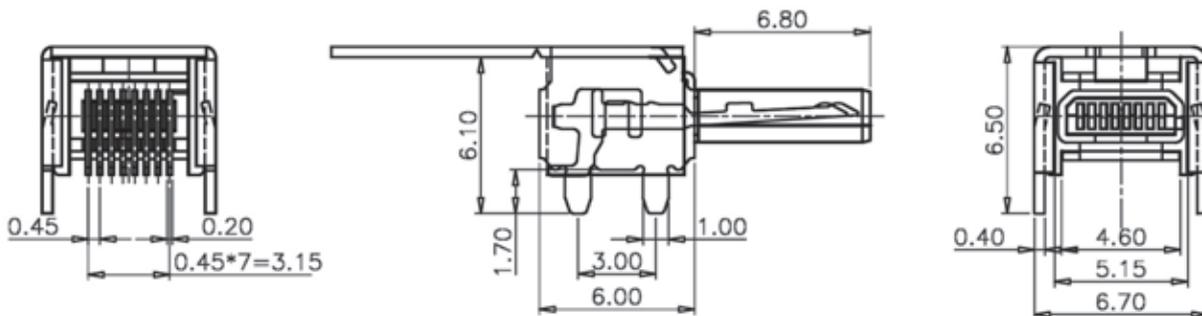
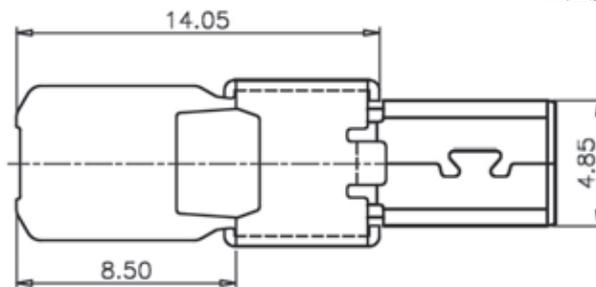
Contact: Brass

Shell: Brass, Steel

Contact Plating: Selective Gold Over Nickel Plated

Shell Plating: Tin Or Nickel Over Copper Plated

*RoHS & REACH compliant.



ORDERING INFORMATION:

P/N U M 8 A - 0 8 M B x x
1 2 3 4

1. NO. OF CONTACTS:

08

2. CONNECTOR TYPE:

"M" MALE

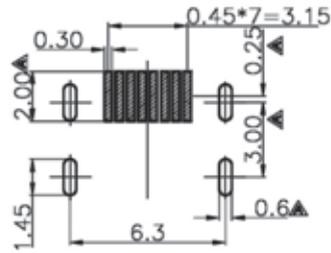
3. INSULATOR COLOR:

"B" BLACK

4. CONTACT FINISH:

"10" 10 MICROINCH GOLD

MINI USB 8 PIN MALE CONNECTOR REVERSE MOUNT SMT TYPE



Recommended P.C.Board Layout

SPECIFICATIONS

Current Rating: 1.0 Amp

Contact Resistance: 25 Milliohm Max.

Insulation Resistance: 1000 Megohm Min. At 500V

Dielectric Withstanding: 1000V At 1 Minute

Operating Temperature: -55°C to +105°C

MATERIALS

Insulator: Thermoplastic, UL94V-0 Rated

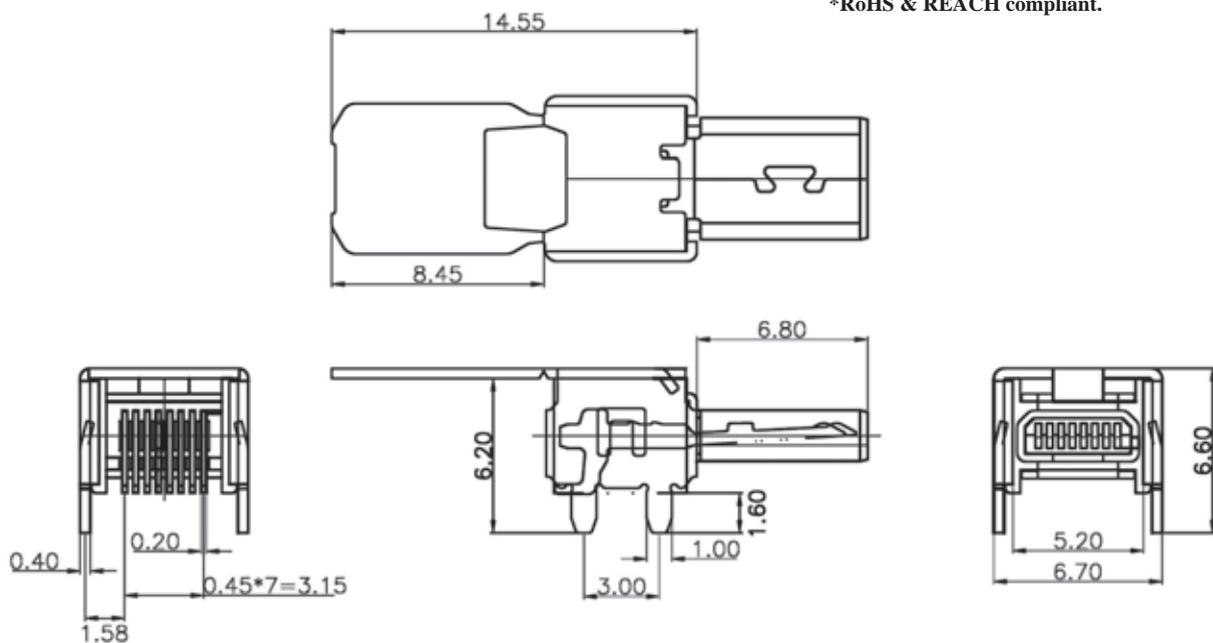
Contact: Brass

Shell: Brass, Steel

Contact Plating: Selective Gold Over Nickel Plated

Shell Plating: Tin Or Nickel Over Copper Plated

*RoHS & REACH compliant.



ORDERING INFORMATION:

P/N U M 8 L - 0 8 M B x x
1 2 3 4

1. NO. OF CONTACTS:

08

2. CONNECTOR TYPE:

"M" MALE

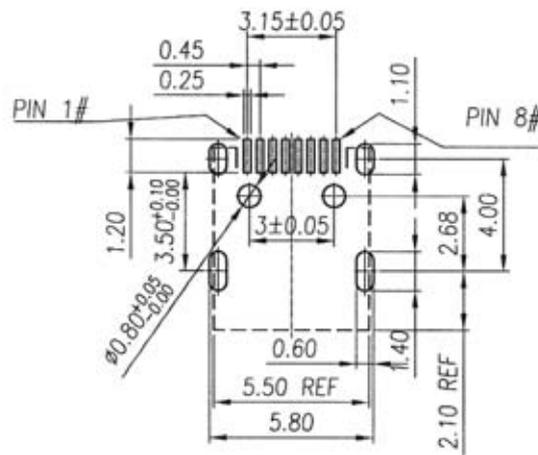
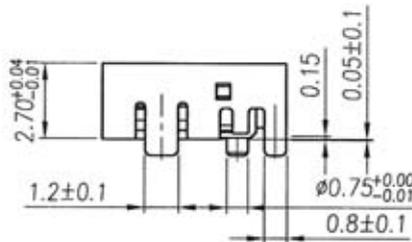
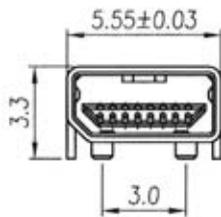
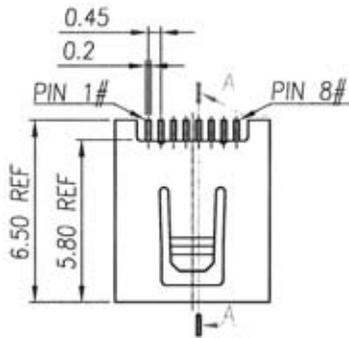
3. INSULATOR COLOR:

"B" BLACK

4. CONTACT FINISH:

"10" 10 MICROINCH GOLD

MINI USB 8 PIN FEMALE CONNECTOR SMT TYPE



Recommended P.C.Board Layout

SPECIFICATIONS

Current Rating: 1.0 Amp

Contact Resistance: 25 Milliohm Max.

Insulation Resistance: 1000 Megohm Min. At 500V

Dielectric Withstanding: 1000V At 1 Minute

Operating Temperature: -55°C to +105°C

MATERIALS

Insulator: THERMOPLASTIC, UL94V-0 RATED

Contact: Brass

Shell: Brass, Steel

Contact Plating: Selective Gold Over Nickel Plated

Shell Plating: Tin Or Nickel Over Copper Plated

*RoHS & REACH compliant.

ORDERING INFORMATION:

P/N U M 8 B - 0 8 F B 1 0 G
1 2 3 4 5

1. NO. OF CONTACTS:

08

2. CONNECTOR TYPE:

"F" FEMALE

3. INSULATOR COLOR:

"B" BLACK

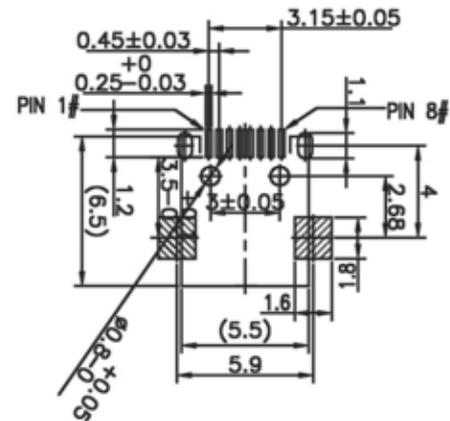
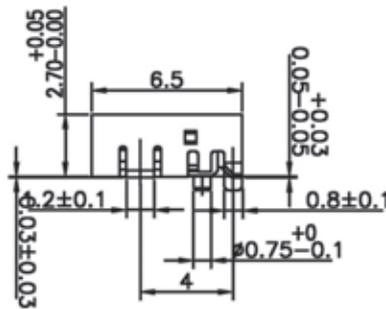
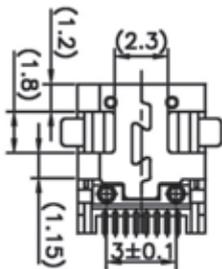
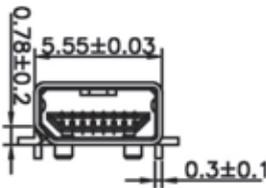
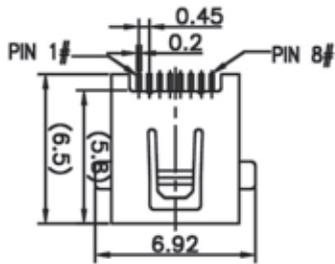
4. CONTACT FINISH:

"10" 10 MICROINCH GOLD

5. SHELL FINISH:

"G" GOLD FLASH

MINI USB 8 PIN FEMALE CONNECTOR SMT TYPE



Recommended P.C.Board Layout

SPECIFICATIONS

Current Rating: 1.0 Amp

Contact Resistance: 25 Milliohm Max.

Insulation Resistance: 1000 Megohm Min. At 500V

Dielectric Withstanding: 1000V At 1 Minute

Operating Temperature: -55°C to +105°C

MATERIALS

Insulator: Thermoplastic, UL94V-0 Rated

Contact: Brass

Shell: Brass, Steel

Contact Plating: Selective Gold Over Nickel Plated

Shell Plating: Tin Or Nickel Over Copper Plated

*RoHS & REACH compliant.

ORDERING INFORMATION:

P/N U M 8 C - 0 8 F B x x G
 1 2 3 4 5

1. NO. OF CONTACTS:

05

2. CONNECTOR TYPE:

"F" FEMALE

3. INSULATOR COLOR:

"B" BLACK

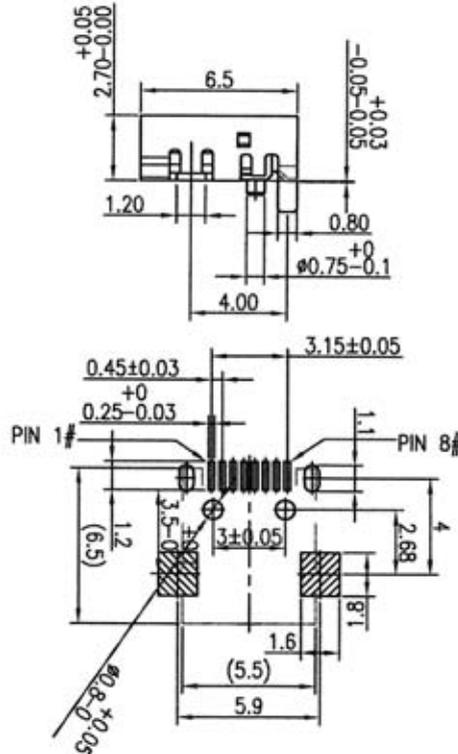
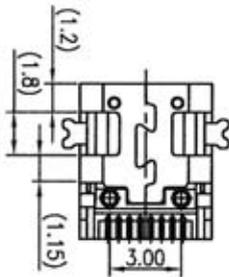
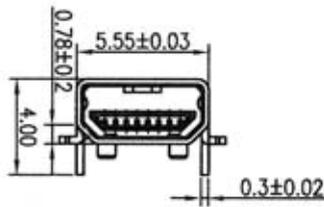
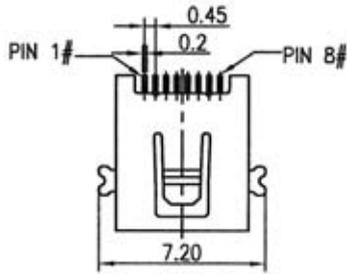
4. CONTACT FINISH:

"10" 10 MICROINCH GOLD

5. SHELL FINISH:

"G" GOLD PLATED

MINI USB 8 PIN FEMALE CONNECTOR SMT TYPE WITH LONG DIP



Recommended P.C.Board Layout

SPECIFICATIONS

Current Rating: 1.0 Amp

Contact Resistance: 25 Milliohm Max.

Insulation Resistance: 1000 Megohm Min. At 500V

Dielectric Withstanding: 1000V At 1 Minute

Operating Temperature: -55°C to +105°C

MATERIALS

Insulator: THERMOPLASTIC, UL94V-0 RATED

Contact: Brass

Shell: Brass, Steel

Contact Plating: Selective Gold Over Nickel Plated

Shell Plating: Tin Or Nickel Over Copper Plated

*RoHS & REACH compliant.

ORDERING INFORMATION:

P/N U M 8 D - 0 8 F B x x x
 1 2 3 4 5

1. NO. OF CONTACTS:

08

2. CONNECTOR TYPE:

"F" FEMALE

3. INSULATOR COLOR:

"B" BLACK

4. CONTACT FINISH:

"10" 10 MICROINCH GOLD

"15" 15 MICROINCH GOLD

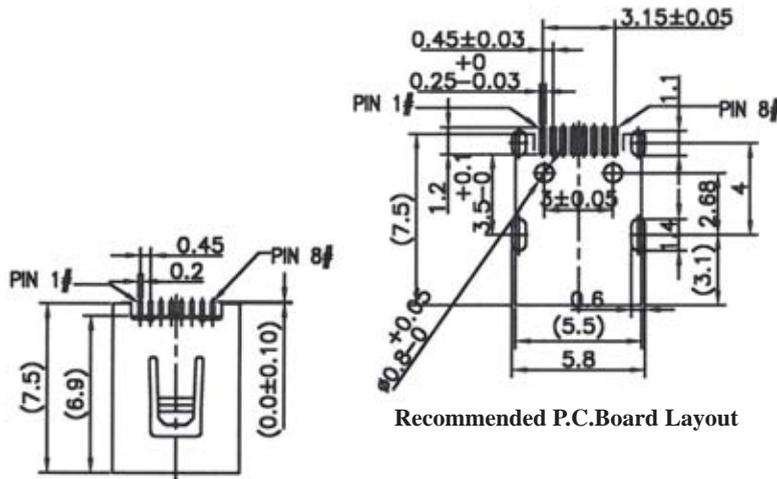
"30" 30 MICROINCH GOLD

5. SHELL FINISH:

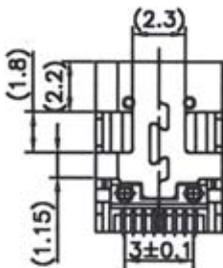
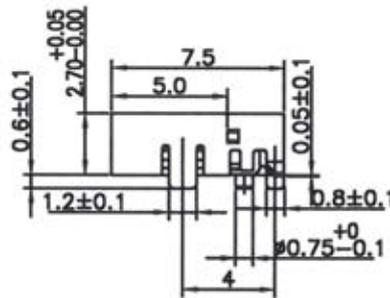
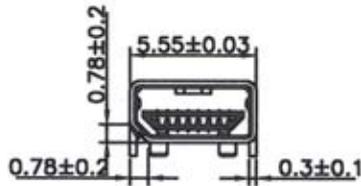
" " NICKEL PLATED

"G" GOLD FLASH

MINI USB 8 PIN FEMALE CONNECTOR SMT TYPE L=7.5MM



Recommended P.C.Board Layout



SPECIFICATIONS

Current Rating: 1.0 Amp

Contact Resistance: 25 Milliohm Max.

Insulation Resistance: 1000 Megohm Min. At 500V

Dielectric Withstanding: 1000V At 1 Minute

Operating Temperature: -55°C to +105°C

MATERIALS

Insulator: THERMOPLASTIC, UL94V-0 RATED

Contact: Brass

Shell: Brass, Steel

Contact Plating: Selective Gold Over Nickel Plated

Shell Plating: Tin Or Nickel Over Copper Plated

*RoHS & REACH compliant.

ORDERING INFORMATION:

P/N U M 8 E - 0 8 F B 1 0 G
1 2 3 4 5

1. NO. OF CONTACTS:

08

2. CONNECTOR TYPE:

"F" FEMALE

3. INSULATOR COLOR:

"B" BLACK

4. CONTACT FINISH:

"10" 10 MICROINCH GOLD

5. SHELL FINISH:

"G" GOLD FLASH

MINI USB 8 PIN FEMALE CONNECTOR SMT TYPE

SPECIFICATIONS

Current Rating: 1.0 Amp

Contact Resistance: 25 Milliohm Max.

Insulation Resistance: 1000 Megohm Min. At 500V

Dielectric Withstanding: 1000V At 1 Minute

Operating Temperature: -55°C to +105°C

MATERIALS

Insulator: Thermoplastic, UL94V-0 Rated

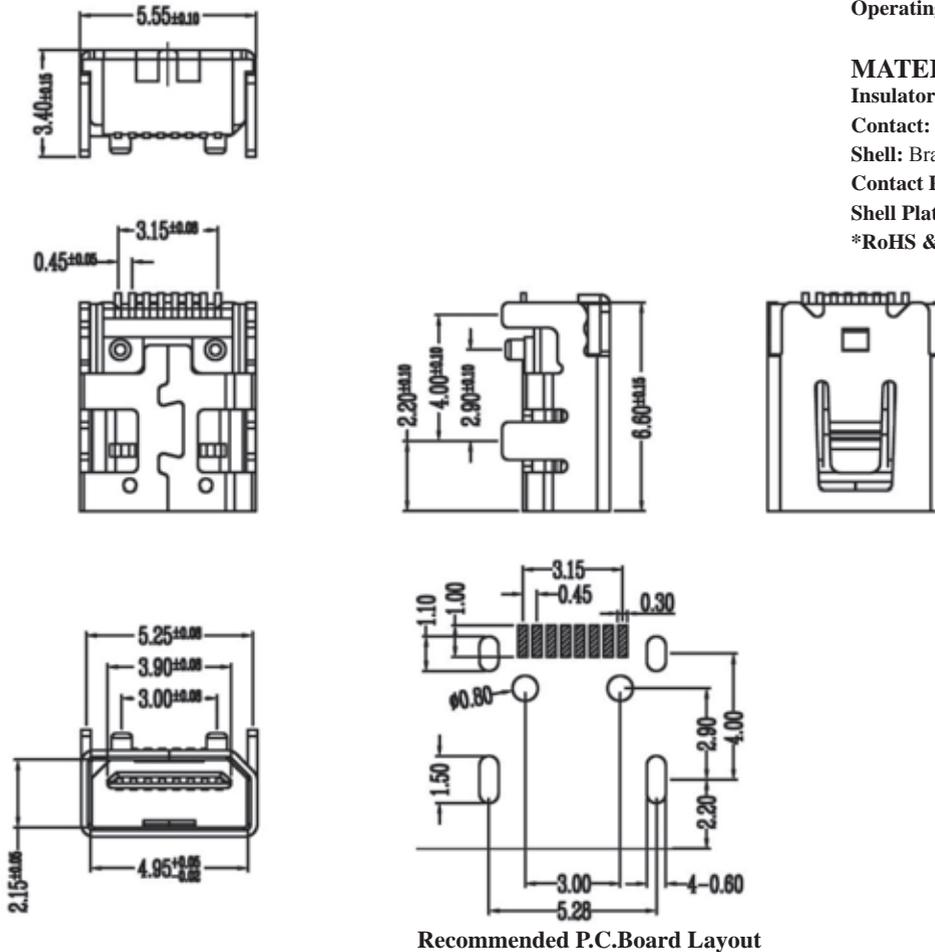
Contact: Brass

Shell: Brass, Steel

Contact Plating: Selective Gold Over Nickel Plated

Shell Plating: Tin Or Nickel Over Copper Plated

*RoHS & REACH compliant.



Recommended P.C.Board Layout

ORDERING INFORMATION:

P/N U M 8 S - 0 8 F B x x
1 2 3 4

1. NO. OF CONTACTS:

08

2. CONNECTOR TYPE:

"F" FEMALE

3. INSULATOR COLOR:

"B" BLACK

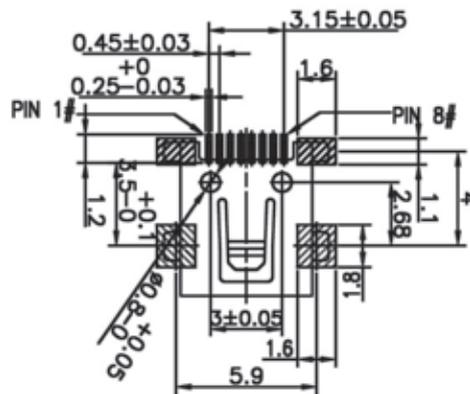
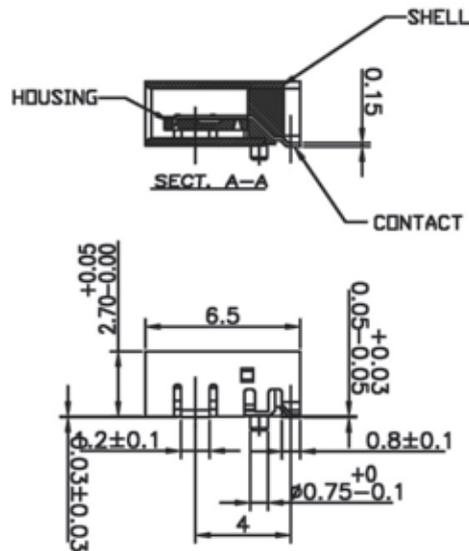
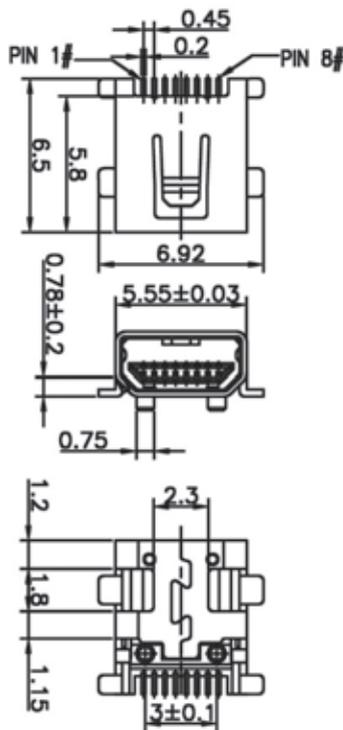
4. CONTACT FINISH:

"03" 3 MICROINCH GOLD

"15" 15 MICROINCH GOLD

"30" 30 MICROINCH GOLD

MINI USB 8 PIN FEMALE CONNECTOR SMT TYPE



Recommended P.C.Board Layout

SPECIFICATIONS

Current Rating: 1.0 Amp

Contact Resistance: 25 Milliohm Max.

Insulation Resistance: 1000 Megohm Min. At 500V

Dielectric Withstanding: 1000V At 1 Minute

Operating Temperature: -55°C to +105°C

MATERIALS

Insulator: Thermoplastic, UL94V-0 Rated

Contact: Brass

Shell: Brass, Steel

Contact Plating: Selective Gold Over Nickel Plated

Shell Plating: Tin Or Nickel Over Copper Plated

*RoHS & REACH compliant.

ORDERING INFORMATION:

P/N U M 8 Z - 0 8 F B x x G
1 2 3 4 5

1. NO. OF CONTACTS:

08

2. CONNECTOR TYPE:

"F" FEMALE

3. INSULATOR COLOR:

"B" BLACK

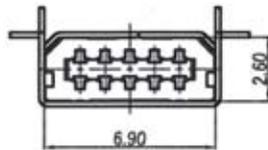
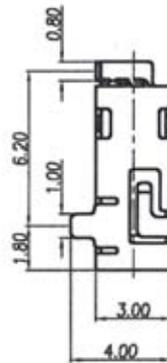
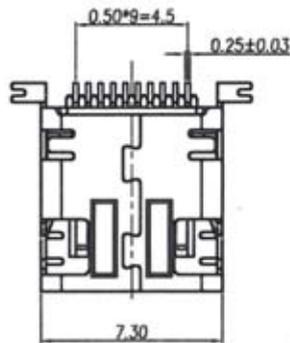
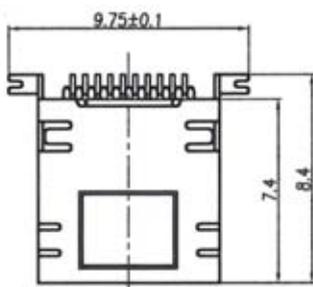
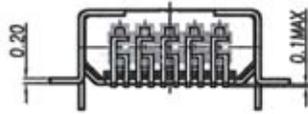
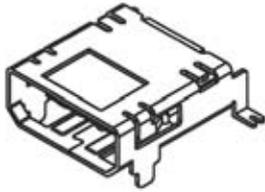
4. CONTACT FINISH:

"10" 10 MICROINCH GOLD

5. SHELL FINISH:

"G" GOLD PLATED

MINI USB 10 PIN FEMALE CONNECTOR SMT TYPE



SPECIFICATIONS

Current Rating: 1.0 Amp

Contact Resistance: 25 Milliohm Max.

Insulation Resistance: 1000 Megohm Min. At 500V

Dielectric Withstanding: 1000V At 1 Minute

Operating Temperature: -55°C to +105°C

MATERIALS

Insulator: Thermoplastic, UL94V-0 Rated

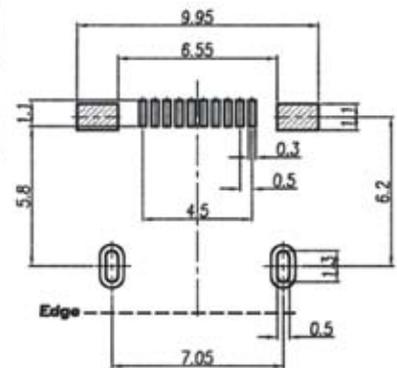
Contact: Brass

Shell: Brass, Steel

Contact Plating: Selective Gold Over Nickel Plated

Shell Plating: Tin Or Nickel Over Copper Plated

*RoHS & REACH compliant.



Recommended P.C.Board Layout

ORDERING INFORMATION:

P/N U M 9 2 - $\frac{10}{1}$ $\frac{F}{2}$ $\frac{B}{3}$ $\frac{x}{4}$ x

1. NO. OF CONTACTS:

10

2. CONNECTOR TYPE:

"F" FEMALE

3. INSULATOR COLOR:

"B" BLACK

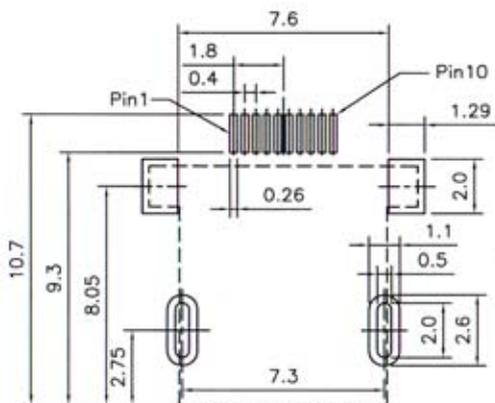
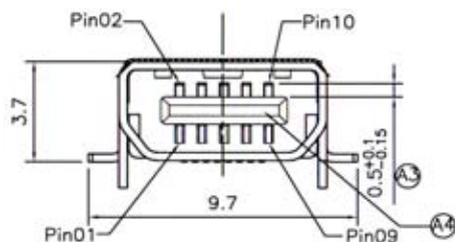
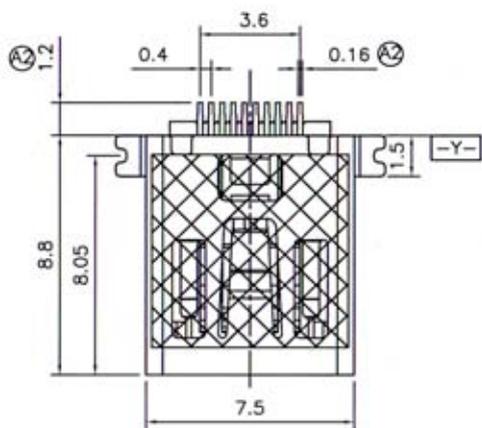
4. CONTACT FINISH:

"05" 5 MICROINCH GOLD

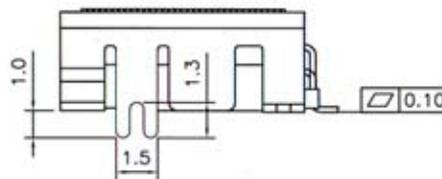
DRAWING REVISED

P/N REVISED

MINI USB 10 PIN FEMALE CONNECTOR SMT TYPE



Recommended P.C.Board Layout



SPECIFICATIONS

Current Rating: 1.0 Amperes
Contact Resistance: 25mΩ Max.
Insulation Resistance: 1000MΩ Min. at 500V
Dielectric Voltage: 1000V at 1 Minute
Operating Temperature: -55°C to +105°C

MATERIALS

Insulator: THERMOPLASTIC, UL94V-0 Rated
Contact: Brass
Shell: Brass, Steel
Contact Plating: Selective Gold Over Nickel Plated
Shell Plating: Tin or Nickel Over Copper Plated
 *RoHS & REACH compliant.

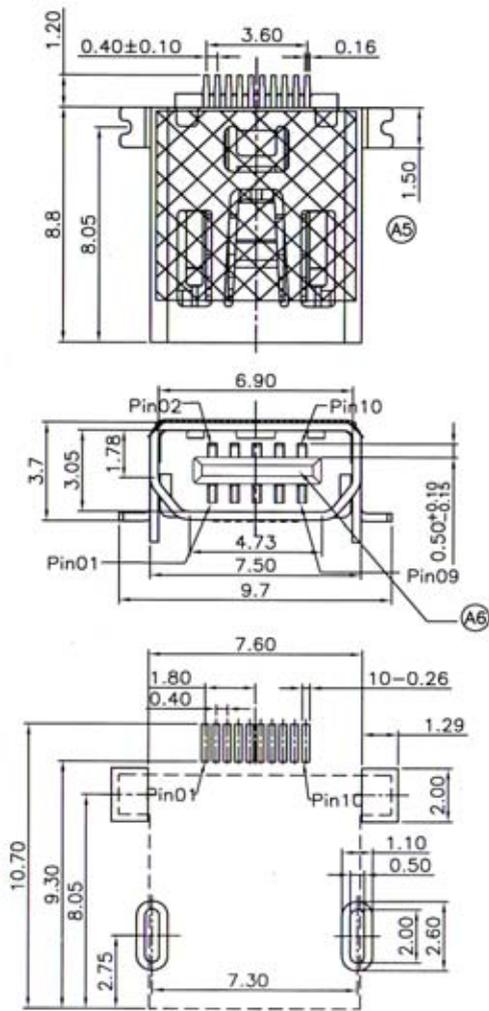
ORDERING INFORMATION:

P/N U M 9 5 - $\frac{1}{1}$ $\frac{0}{2}$ $\frac{F}{3}$ $\frac{B}{4}$ x x

1. NO. OF CONTACTS:
10
2. CONNECTOR TYPE:
"F" FEMALE
3. INSULATOR COLOR:
"B" BLACK
4. CONTACT FINISH:
"10" 10 MICROINCH GOLD
"30" 30 MICROINCH GOLD

NOTE: MATES WITH UM80-10MBxx

MINI USB 10 PIN FEMALE CONNECTOR SMT TYPE



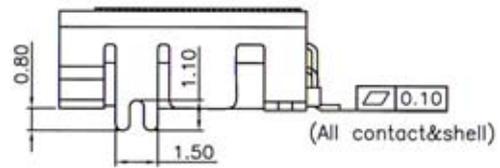
Recommended P.C.Board Layout

SPECIFICATIONS

Current Rating: 1.0 Amperes
Contact Resistance: 25mΩ Max.
Insulation Resistance: 1000MΩ Min. at 500V
Dielectric Voltage: 1000V at 1 Minute
Operating Temperature: -55°C to +105°C

MATERIALS

Insulator: THERMOPLASTIC, UL94V-0 Rated
Contact: Brass
Shell: Brass, Steel
Contact Plating: Selective Gold Over Nickel Plated
Shell Plating: Tin or Nickel Over Copper Plated
***RoHS & REACH compliant.**



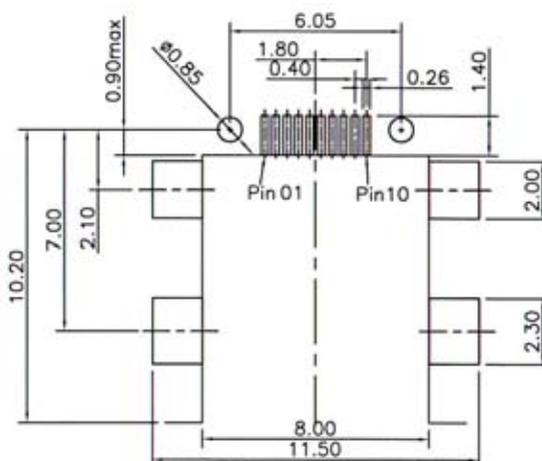
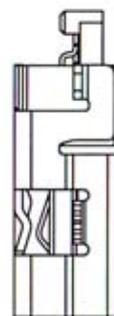
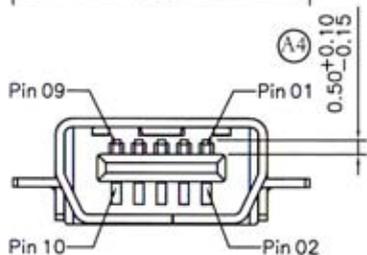
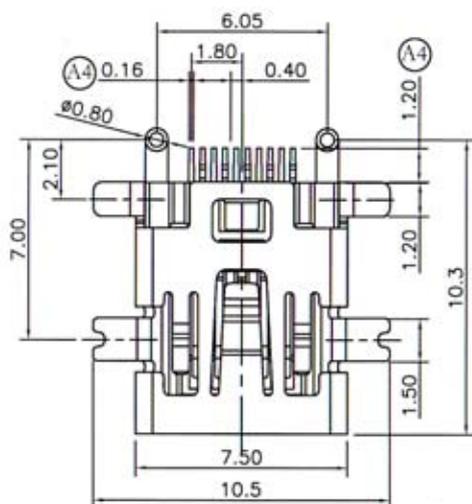
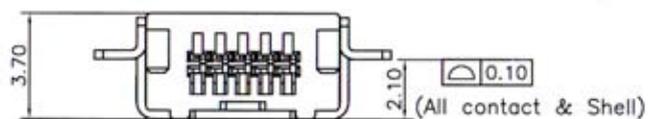
ORDERING INFORMATION:

P/N U M 9 6 - $\frac{1}{1}$ $\frac{0}{2}$ $\frac{F}{3}$ $\frac{B}{4}$ x x

1. NO. OF CONTACTS:
10
2. CONNECTOR TYPE:
"F" FEMALE
3. INSULATOR COLOR:
"B" BLACK
4. CONTACT FINISH:
"10" 10 MICROINCH GOLD
"30" 30 MICROINCH GOLD

NOTE: MATES WITH UM80-10MBxx

MINI USB 10 PIN FEMALE CONNECTOR SMT TYPE



Recommended P.C.Board Layout

SPECIFICATIONS

- Current Rating:** 1.0 Amperes
- Contact Resistance:** 25mΩ Max.
- Insulation Resistance:** 1000MΩ Min. at 500V
- Dielectric Voltage:** 1000V at 1 Minute
- Operating Temperature:** -55°C to +105°C

MATERIALS

- Insulator:** THERMOPLASTIC, UL94V-0 Rated
- Contact:** Brass
- Shell:** Brass, Steel
- Contact Plating:** Selective Gold Over Nickel Plated
- Shell Plating:** Tin or Nickel Over Copper Plated
- *RoHS & REACH compliant.

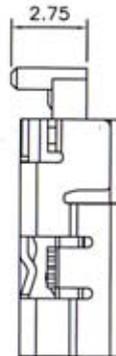
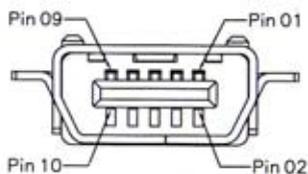
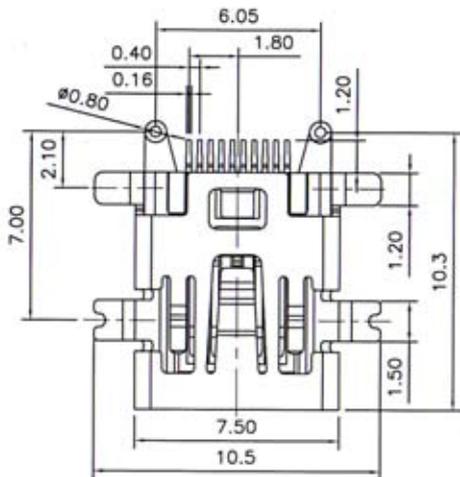
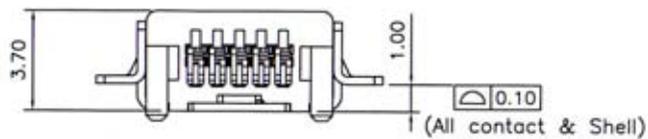
ORDERING INFORMATION:

P/N U M 9 7 - $\frac{10}{1}$ $\frac{F}{2}$ $\frac{B}{3}$ $\frac{x}{4}$ x x

1. NO. OF CONTACTS:
10
2. CONNECTOR TYPE:
"F" FEMALE
3. INSULATOR COLOR:
"B" BLACK
4. CONTACT FINISH:
"10" 10 MICROINCH GOLD
"30" 30 MICROINCH GOLD

NOTE: MATES WITH UM80-10MBxx

MINI USB 10 PIN FEMALE CONNECTOR SMT TYPE

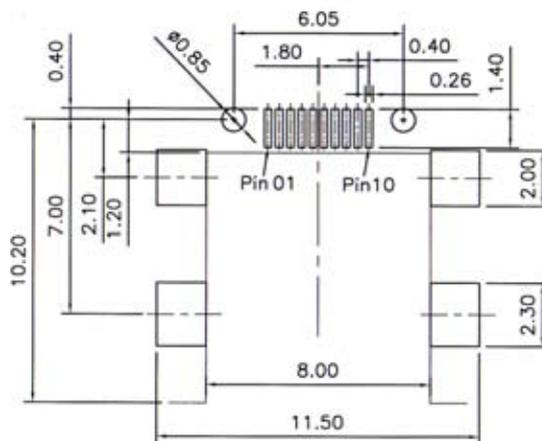


SPECIFICATIONS

Current Rating: 1.0 Amperes
Contact Resistance: 25mΩ Max.
Insulation Resistance: 1000MΩ Min. at 500V
Dielectric Voltage: 1000V at 1 Minute
Operating Temperature: -55°C to +105°C

MATERIALS

Insulator: THERMOPLASTIC, UL94V-0 Rated
Contact: Brass
Shell: Brass, Steel
Contact Plating: Selective Gold Over Nickel Plated
Shell Plating: Tin or Nickel Over Copper Plated
***RoHS & REACH compliant.**



Recommended P.C.Board Layout

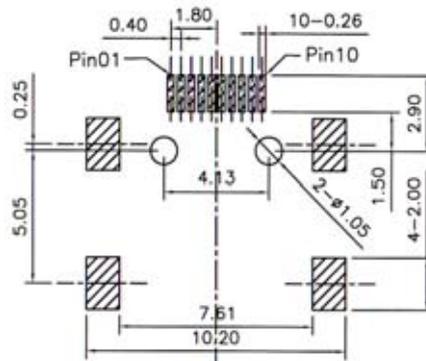
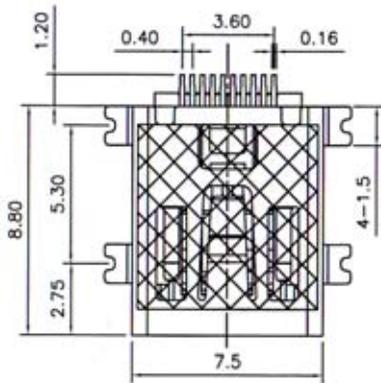
ORDERING INFORMATION:

P/N U M 9 8 - $\frac{10}{1}$ $\frac{F}{2}$ $\frac{B}{3}$ $\frac{x}{4}$ x x

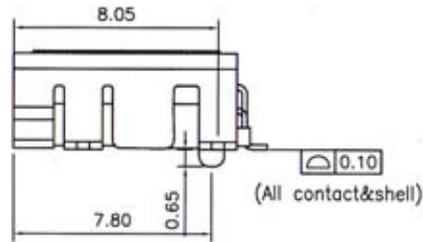
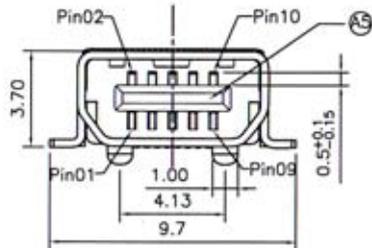
1. NO. OF CONTACTS:
10
2. CONNECTOR TYPE:
"F" FEMALE
3. INSULATOR COLOR:
"B" BLACK
4. CONTACT FINISH:
"10" 10 MICROINCH GOLD
"30" 30 MICROINCH GOLD

NOTE: MATES WITH UM80-10MBxx

MINI USB 10 PIN FEMALE CONNECTOR SMT TYPE



Recommended P.C.Board Layout



SPECIFICATIONS

Current Rating: 1.0 Amperes
Contact Resistance: 25mΩ Max.
Insulation Resistance: 1000MΩ Min. at 500V
Dielectric Voltage: 1000V at 1 Minute
Operating Temperature: -55°C to +105°C

MATERIALS

Insulator: THERMOPLASTIC, UL94V-0 Rated
Contact: Brass
Shell: Brass, Steel
Contact Plating: Selective Gold Over Nickel Plated
Shell Plating: Tin or Nickel Over Copper Plated
***RoHS & REACH compliant.**

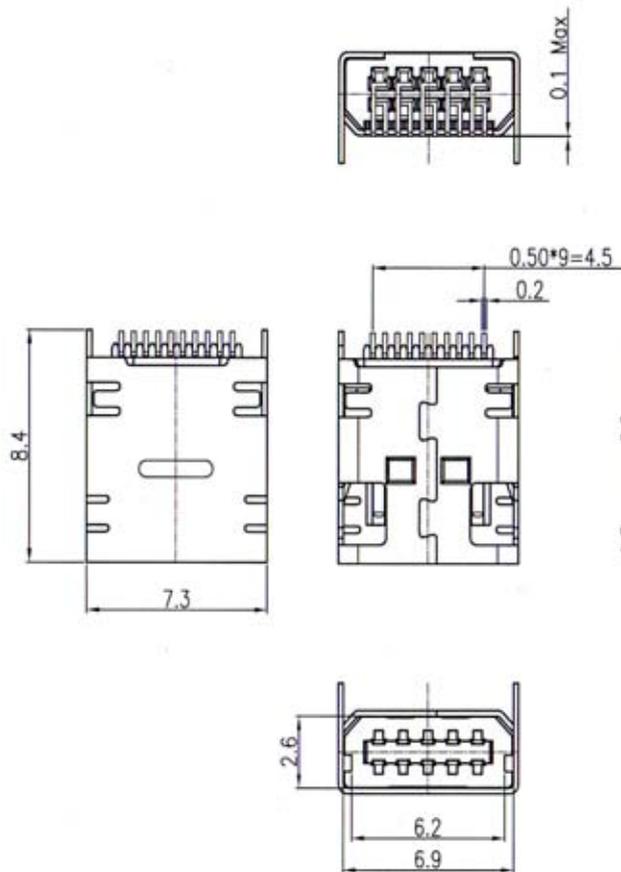
ORDERING INFORMATION:

P/N U M $\frac{xx}{1}$ - 10 $\frac{FB}{234}$ xx

1. LOCATING PEG OPTION:
 "99" WITH LOCATING PEGS
 "00" W/O LOCATING PEGS
2. CONNECTOR TYPE:
 "F" FEMALE
3. INSULATOR COLOR:
 "B" BLACK
4. CONTACT FINISH:
 "10" 10 MICROINCH GOLD
 "30" 30 MICROINCH GOLD

NOTE: MATES WITH UM80-10MBxx

MINI USB 10 PIN FEMALE CONNECTOR SMT TYPE



SPECIFICATIONS

Current Rating: 1.0 Amp

Contact Resistance: 25 Milliohm Max.

Insulation Resistance: 1000 Megohm Min. At 500V

Dielectric Withstanding: 1000V At 1 Minute

Operating Temperature: -55°C to +105°C

MATERIALS

Insulator: THERMOPLASTIC, UL94V-0 RATED

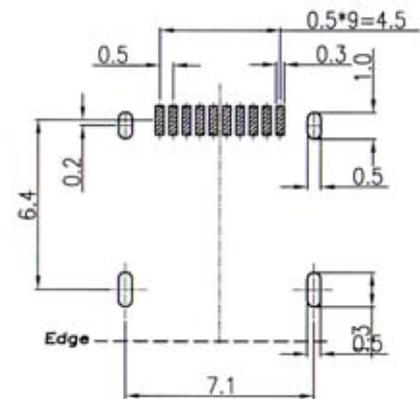
Contact: Brass

Shell: Brass, Steel

Contact Plating: Selective Gold Over Nickel Plated

Shell Plating: Tin Or Nickel Over Copper Plated

***RoHS & REACH compliant.**



ORDERING INFORMATION:

P/N U M 8 8 - 1 0 F B x x
1 2 3 4

1. NO. OF CONTACTS:

10

2. CONNECTOR TYPE:

"F" FEMALE

3. INSULATOR COLOR:

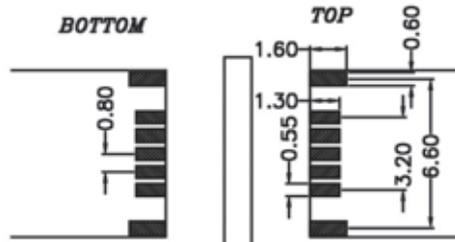
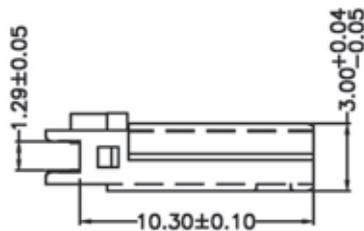
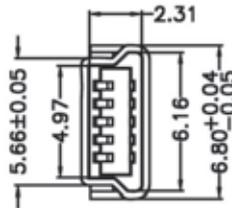
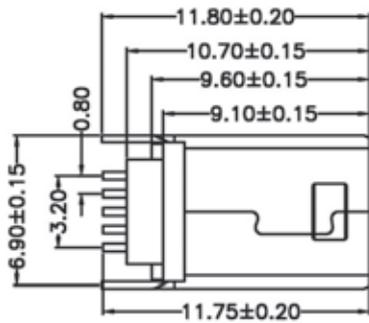
"B" BLACK

4. CONTACT FINISH:

"10" 10 MICROINCH GOLD

"30" 30 MICROINCH GOLD

MINI USB 10 PIN MALE CONNECTOR SMT TYPE



Recommended P.C.Board Layout

SPECIFICATIONS

Current Rating: 1.0 Amp

Contact Resistance: 25 Milliohm Max.

Insulation Resistance: 1000 Megohm Min. At 500V

Dielectric Withstanding: 1000V At 1 Minute

Operating Temperature: -55°C to +105°C

MATERIALS

Insulator: Thermoplastic, UL94V-0 Rated

Contact: Brass

Shell: Brass, Steel

Contact Plating: Selective Gold Over Nickel Plated

Shell Plating: Tin Or Nickel Over Copper Plated

*RoHS & REACH compliant.

ORDERING INFORMATION:

P/N U M 6 9 - $\frac{1}{1}$ $\frac{0}{2}$ $\frac{M}{3}$ $\frac{B}{4}$ x x

1. NO. OF CONTACTS:

10

2. CONNECTOR TYPE:

"M" MALE

3. INSULATOR COLOR:

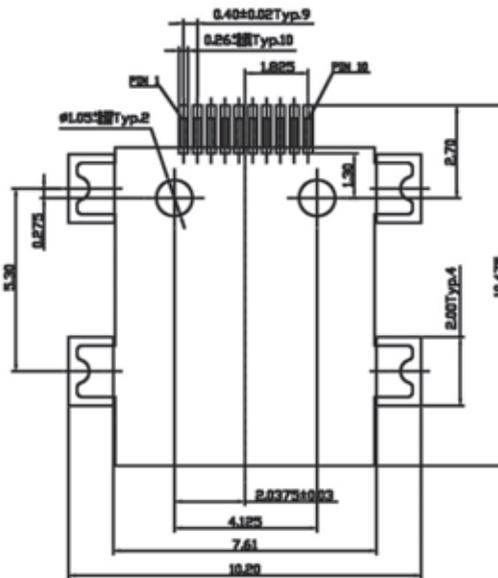
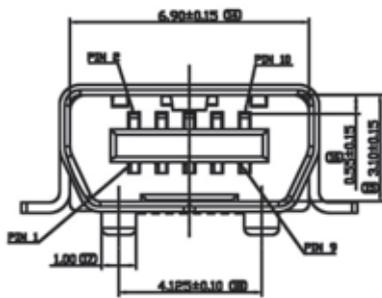
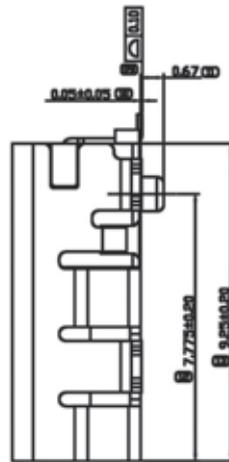
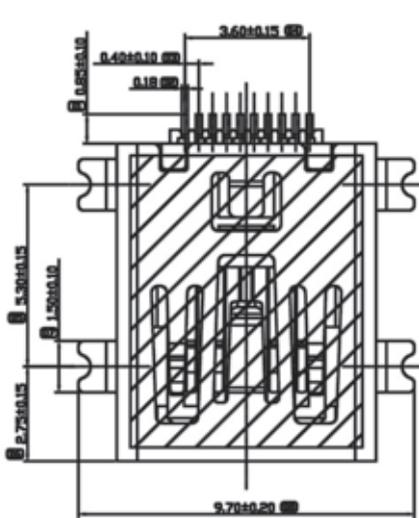
"B" BLACK

4. CONTACT FINISH:

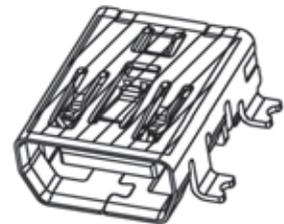
"01" GOLD FLASH

"30" 30 MICROINCH GOLD

MINI USB 10 PIN FEMALE CONNECTOR SMT TYPE



Recommended P.C.Board Layout



SPECIFICATIONS

Current Rating: 1.0 Amp

Contact Resistance: 25 Milliohm Max.

Insulation Resistance: 1000 Megohm Min. At 500V

Dielectric Withstanding: 1000V At 1 Minute

Operating Temperature: -55°C to +105°C

MATERIALS

Insulator: Thermoplastic, UL94V-0 Rated

Contact: Brass

Shell: Brass, Steel

Contact Plating: Selective Gold Over Nickel Plated

Shell Plating: Tin Or Nickel Over Copper Plated

*RoHS & REACH compliant.

ORDERING INFORMATION:

P/N U M 8 6 - $\frac{1}{T}$ $\frac{0}{2}$ $\frac{F}{3}$ $\frac{B}{4}$ x x

1. NO. OF CONTACTS:

10

2. CONNECTOR TYPE:

"F" FEMALE

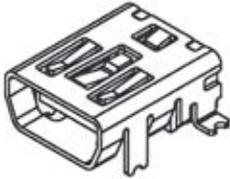
3. INSULATOR COLOR:

"B" BLACK

4. CONTACT FINISH:

"05" 5 MICRINCH GOLD

MINI USB AB TYPE 10 PIN FEMALE CONNECTOR DIP & SMT TYPE



SPECIFICATIONS

Current Rating: 1.0 Amp

Contact Resistance: 25 Milliohm Max.

Insulation Resistance: 1000 Megohm Min. At 500V

Dielectric Withstanding: 1000V At 1 Minute

Operating Temperature: -55°C to +105°C

MATERIALS

Insulator: THERMOPLASTIC, UL94V-0 RATED

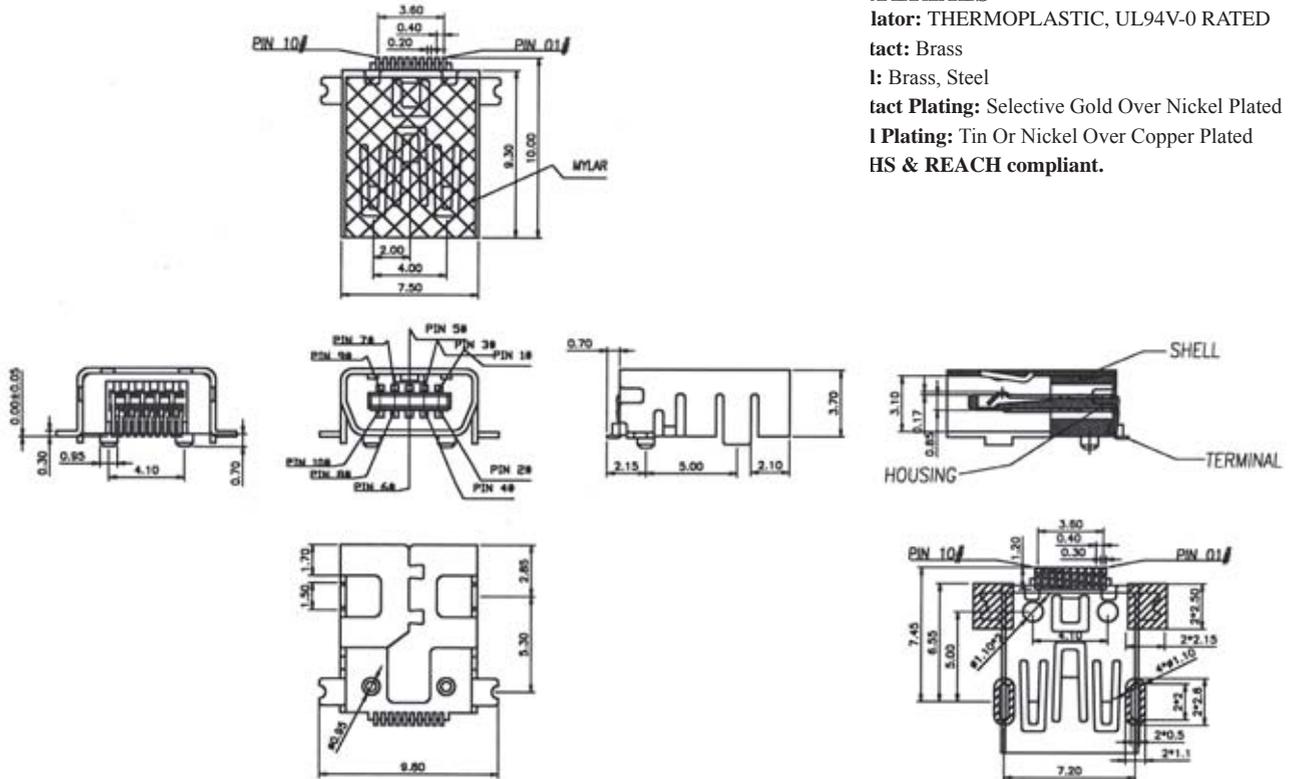
Contact: Brass

Shell: Brass, Steel

Contact Plating: Selective Gold Over Nickel Plated

Shell Plating: Tin Or Nickel Over Copper Plated

HS & REACH compliant.



Recommended P.C.Board Layout

ORDERING INFORMATION:

P/N U M 8 J - 1 0 F B x x G
1 2 3 4 5

1. NO. OF CONTACTS:

10

2. CONNECTOR TYPE:

"F" FEMALE

3. INSULATOR COLOR:

"B" BLACK

4. CONTACT FINISH:

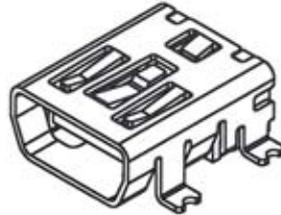
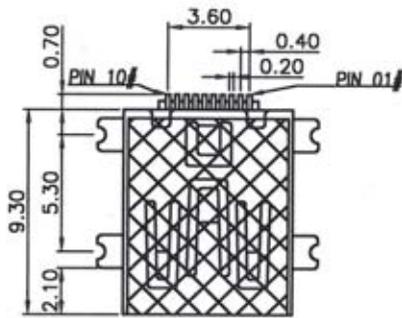
"10" 10 MICROINCH GOLD

"15" 15 MICROINCH GOLD

5. SHELL FINISH:

"G" GOLD FLASH

MINI USB 10 PIN FEMALE CONNECTOR SMT TYPE



SPECIFICATIONS

Current Rating: 1.0 Amp

Contact Resistance: 25 Milliohm Max.

Insulation Resistance: 1000 Megohm Min. At 500V

Dielectric Withstanding: 1000V At 1 Minute

Operating Temperature: -55°C to +105°C

MATERIALS

Insulator: THERMOPLASTIC, UL94V-0 RATED

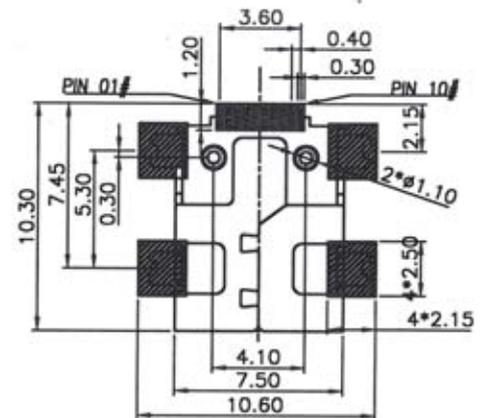
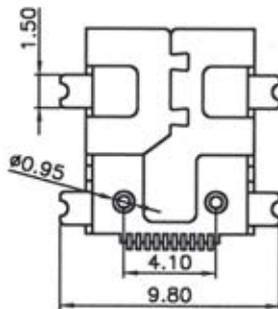
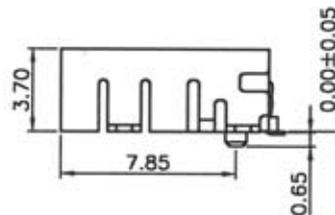
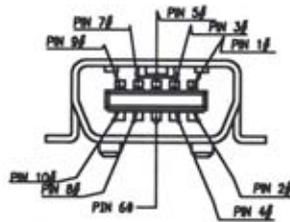
Contact: Brass

Shell: Brass, Steel

Contact Plating: Selective Gold Over Nickel Plated

Shell Plating: Tin Or Nickel Over Copper Plated

*RoHS & REACH compliant.



Recommended P.C.Board Layout

ORDERING INFORMATION:

P/N U M 8 H - 10 F B 10
1 2 3 4

1. NO. OF CONTACTS:

10

2. CONNECTOR TYPE:

"F" FEMALE

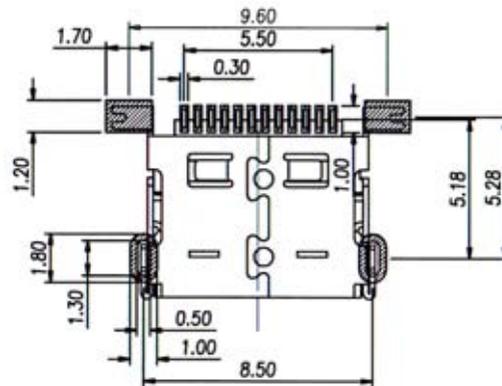
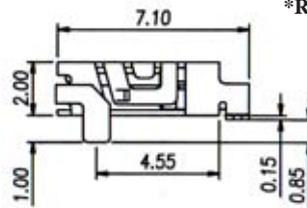
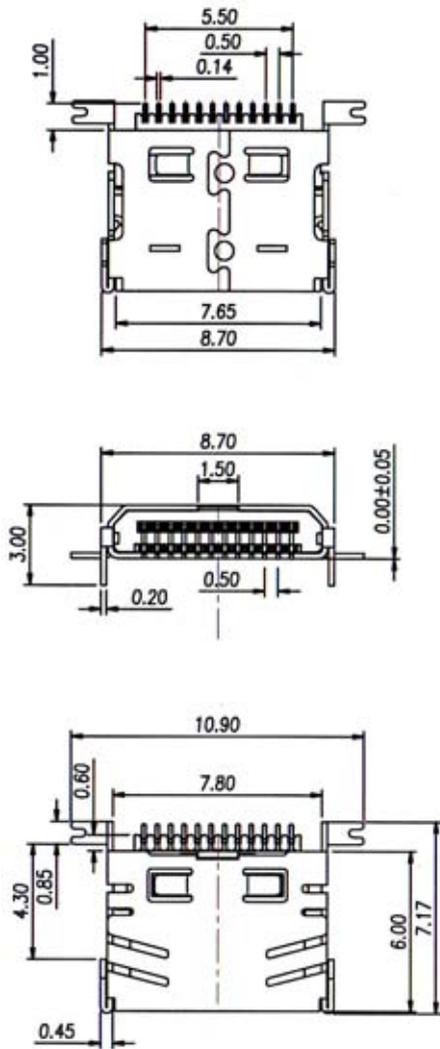
3. INSULATOR COLOR:

"B" BLACK

4. CONTACT FINISH:

"10" 10 MICROINCH GOLD

MINI USB 12 PIN FEMALE CONNECTOR SMT TYPE



Recommended P.C.Board Layout

SPECIFICATIONS

Current Rating: 1.0 Amp

Contact Resistance: 25 Milliohm Max.

Insulation Resistance: 1000 Megohm Min. At 500V

Dielectric Withstanding: 1000V At 1 Minute

Operating Temperature: -55°C to +105°C

MATERIALS

Insulator: THERMOPLASTIC, UL94V-0 RATED

Contact: Brass

Shell: Brass, Steel

Contact Plating: Selective Gold Over Nickel Plated

Shell Plating: Tin Or Nickel Over Copper Plated

*RoHS & REACH compliant.

ORDERING INFORMATION:

P/N U M 8 9 - $\frac{12}{1}$ $\frac{F}{2}$ $\frac{B}{3}$ $\frac{x}{4}$ x

1. NO. OF CONTACTS:

12

2. CONNECTOR TYPE:

"F" FEMALE

3. INSULATOR COLOR:

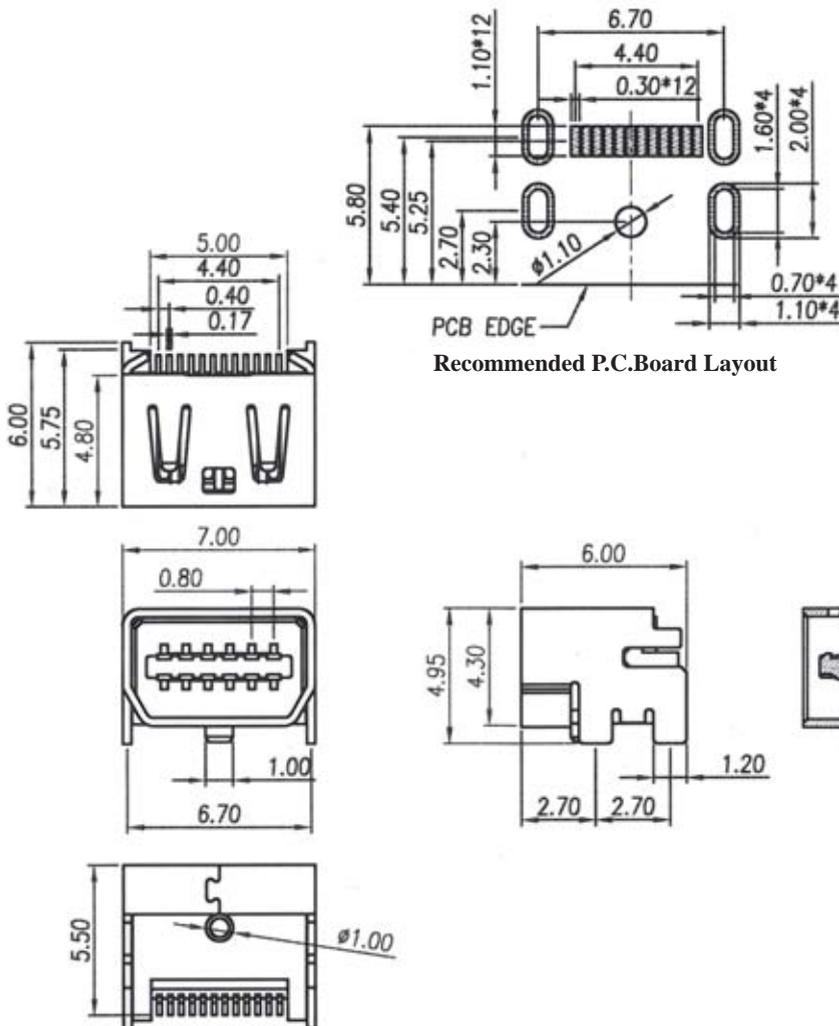
"B" BLACK

4. CONTACT FINISH:

"10" 10 MICROINCH GOLD

"30" 30 MICROINCH GOLD

MINI USB 12 PIN FEMALE CONNECTOR SMT TYPE



Recommended P.C.Board Layout

SPECIFICATIONS

Current Rating: 1.0 Amp

Contact Resistance: 25 Milliohm Max.

Insulation Resistance: 1000 Megohm Min. At 500V

Dielectric Withstanding: 1000V At 1 Minute

Operating Temperature: -55°C to +105°C

MATERIALS

Insulator: Thermoplastic, UL94V-0 Rated

Contact: Brass

Shell: Brass, Steel

Contact Plating: Selective Gold Over Nickel Plated

Shell Plating: Tin Or Nickel Over Copper Plated

*RoHS & REACH compliant.

ORDERING INFORMATION:

P/N U M 9 F - $\frac{1}{2}$ $\frac{3}{4}$ F B x x

1. NO. OF CONTACTS:

12

2. CONNECTOR TYPE:

"F" FEMALE

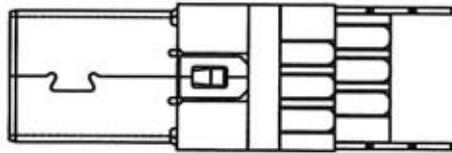
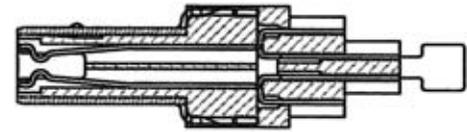
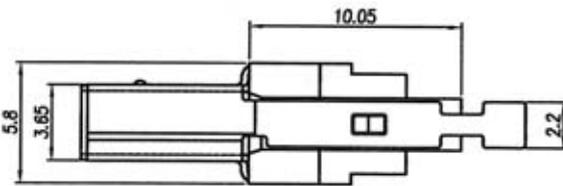
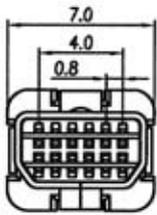
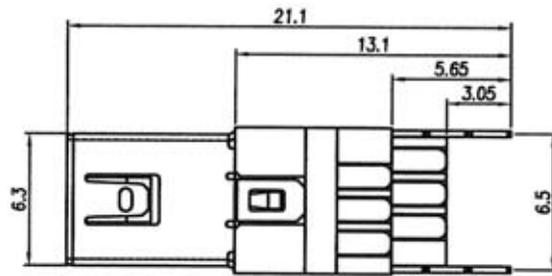
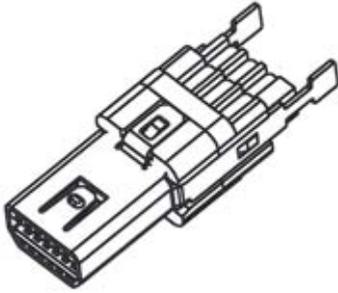
3. INSULATOR COLOR:

"B" BLACK

4. CONTACT FINISH:

"10" 10 MICROINCH GOLD

MINI USB 12 PIN MALE CONNECTOR FOR CABLE ASSEMBLY



SPECIFICATIONS

Current Rating: 1.0 Amp

Contact Resistance: 25 Milliohm Max.

Insulation Resistance: 1000 Megohm Min. At 500V

Dielectric Withstanding: 1000V At 1 Minute

Operating Temperature: -55°C to +105°C

MATERIALS

Insulator: THERMOPLASTIC, UL94V-0 RATED

Contact: Brass

Shell: Brass, Steel

Contact Plating: Selective Gold Over Nickel Plated

Shell Plating: Tin Or Nickel Over Copper Plated

*RoHS & REACH compliant.

ORDERING INFORMATION:

P/N U M 8 X - $\frac{1}{2}$ $\frac{3}{4}$ $\frac{1}{2}$ $\frac{1}{4}$

1. NO. OF CONTACTS:

12

2. CONNECTOR TYPE:

"M" MALE

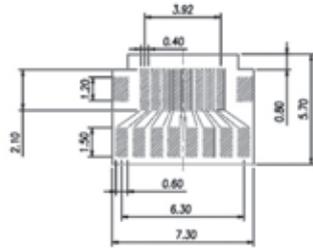
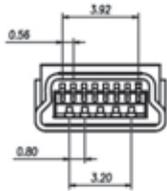
3. INSULATOR COLOR:

"B" BLACK

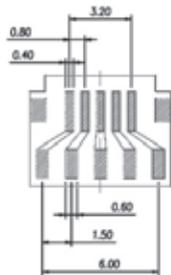
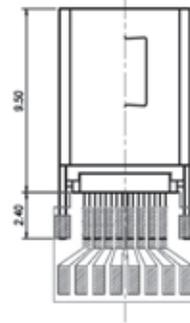
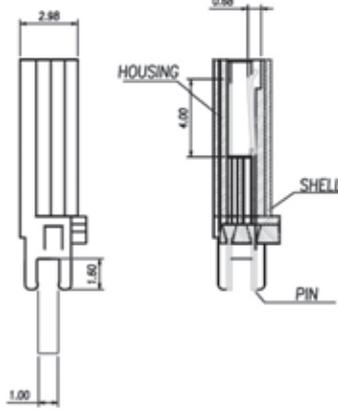
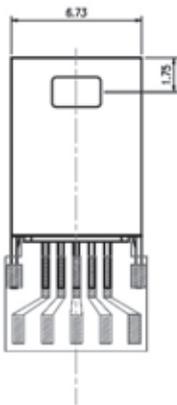
4. CONTACT FINISH:

"10" 10 MICROINCH GOLD

MINI USB 13 PIN MALE CONNECTOR FOR CABLE ASSEMBLY



Recommended P.C.Board Layout



SPECIFICATIONS

Current Rating: 1.0 Amp

Contact Resistance: 25 Milliohm Max.

Insulation Resistance: 1000 Megohm Min. At 500V

Dielectric Withstanding: 1000V At 1 Minute

Operating Temperature: -55°C to +105°C

MATERIALS

Insulator: THERMOPLASTIC, UL94V-0 RATED

Contact: Brass

Shell: Brass, Steel

Contact Plating: Selective Gold Over Nickel Plated

Shell Plating: Tin Or Nickel Over Copper Plated

*RoHS & REACH compliant.

ORDERING INFORMATION:

P/N U M 8 T - 1 3 M B x x G
1 2 3 4 5

1. NO. OF CONTACTS:

13

2. CONNECTOR TYPE:

"M" MALE

3. INSULATOR COLOR:

"B" BLACK

4. CONTACT FINISH:

"10" 10 MICROINCH GOLD

5. SHELL FINISH:

"G" GOLD FLASH

MINI USB 13 PIN FEMALE CONNECTOR SMT TYPE

SPECIFICATIONS

Current Rating: 1.0 Amp

Contact Resistance: 25 Milliohm Max.

Insulation Resistance: 1000 Megohm Min. At 500V

Dielectric Withstanding: 1000V At 1 Minute

Operating Temperature: -55°C to +105°C

MATERIALS

Insulator: THERMOPLASTIC, UL94V-0 RATED

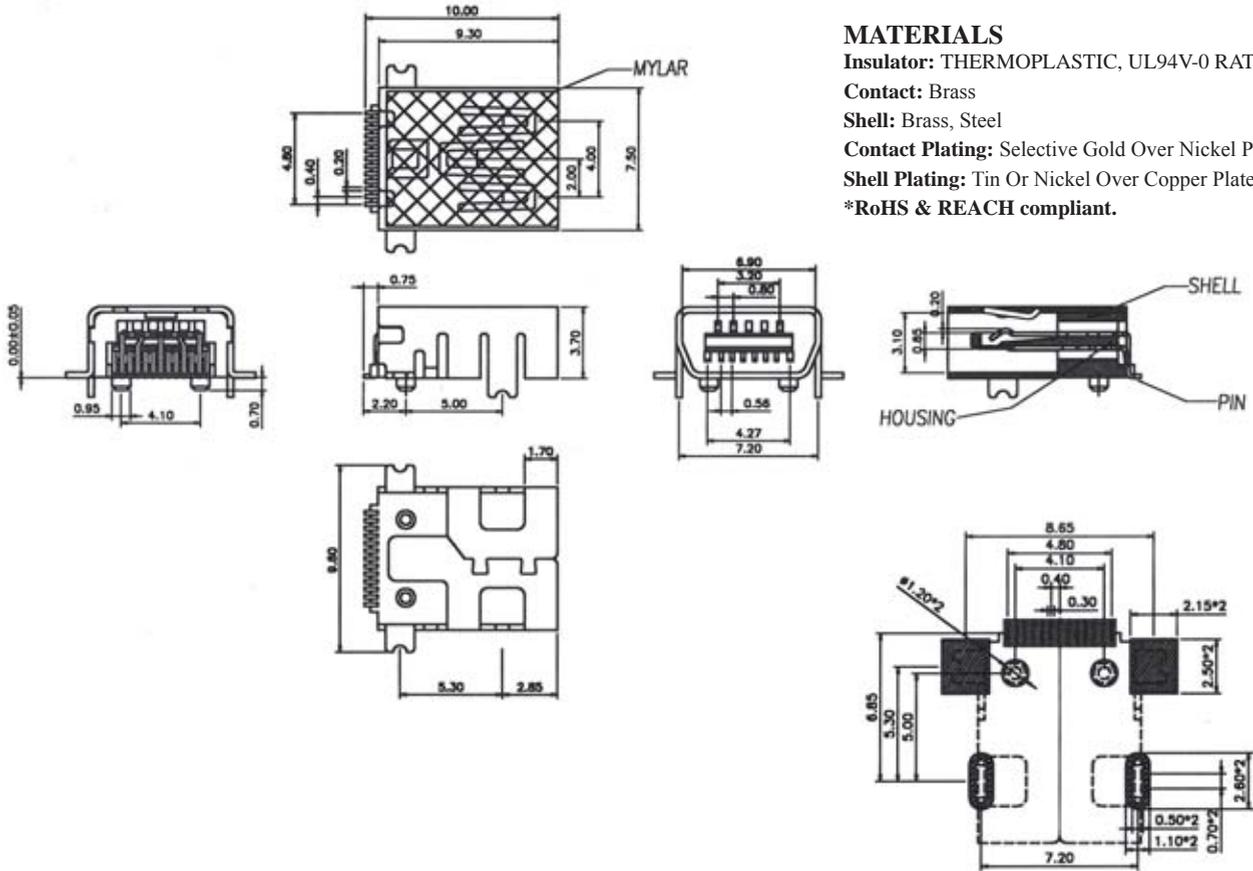
Contact: Brass

Shell: Brass, Steel

Contact Plating: Selective Gold Over Nickel Plated

Shell Plating: Tin Or Nickel Over Copper Plated

*RoHS & REACH compliant.



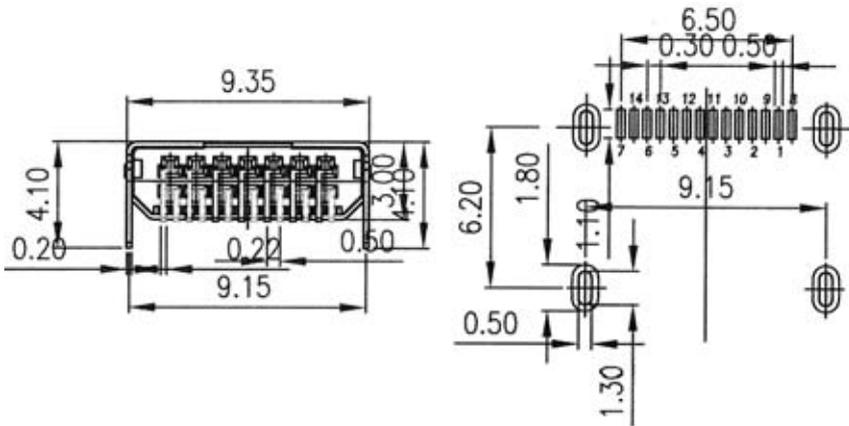
Recommended P.C.Board Layout

ORDERING INFORMATION:

P/N U M 8 K - $\frac{13}{1}$ $\frac{F}{2}$ $\frac{B}{3}$ $\frac{10}{4}$ $\frac{G}{5}$

1. NO. OF CONTACTS:
13
2. CONNECTOR TYPE:
"F" FEMALE
3. INSULATOR COLOR:
"B" BLACK
4. CONTACT FINISH:
"10" 10 MICROINCH GOLD
5. SHELL FINISH:
"G" GOLD FLASH

MINI USB 14 PIN FEMALE CONNECTOR SMT TYPE



SPECIFICATIONS

Current Rating: 1.0 Amp

Contact Resistance: 25 Milliohm Max.

Insulation Resistance: 1000 Megohm Min. At 500V

Dielectric Withstanding: 1000V At 1 Minute

Operating Temperature: -55°C to +105°C

MATERIALS

Insulator: THERMOPLASTIC, UL94V-0 RATED

Contact: Brass

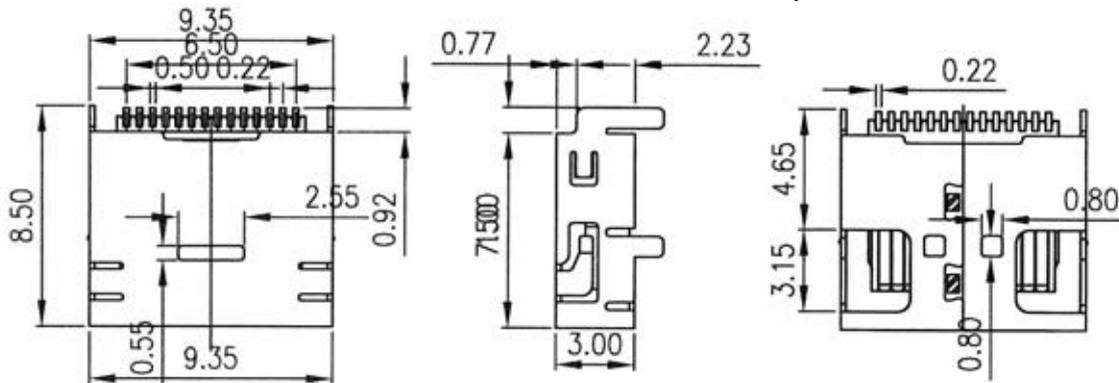
Shell: Brass, Steel

Contact Plating: Selective Gold Over Nickel Plated

Shell Plating: Tin Or Nickel Over Copper Plated

*RoHS & REACH compliant.

Recommended P.C.Board Layout



ORDERING INFORMATION:

P/N U M 9 0 - 14 F B 15
 1 2 3 4

1. NO. OF CONTACTS:

14

2. CONNECTOR TYPE:

"F" FEMALE

3. INSULATOR COLOR:

"B" BLACK

4. CONTACT FINISH:

"15" 15 MICROINCH GOLD

DRAWING REVISED

P/N REVISED

MINI USB 14 PIN FEMALE CONNECTOR SMT TYPE

SPECIFICATIONS

Current Rating: 1.0 Amp

Contact Resistance: 25 Milliohm Max.

Insulation Resistance: 1000 Megohm Min. At 500V

Dielectric Withstanding: 1000V At 1 Minute

Operating Temperature: -55°C to +105°C

MATERIALS

Insulator: THERMOPLASTIC, UL94V-0 RATED

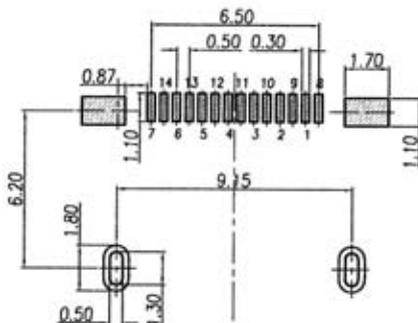
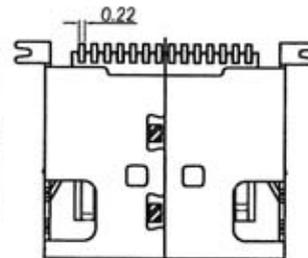
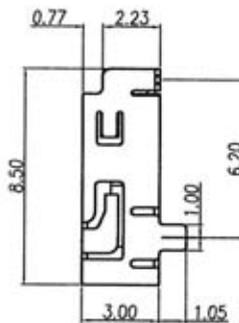
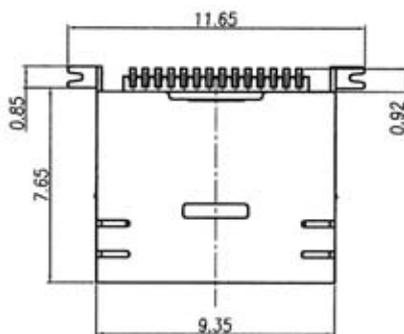
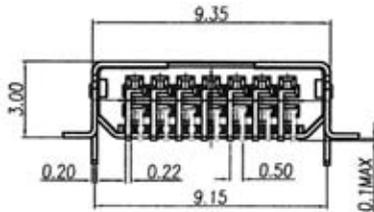
Contact: Brass

Shell: Brass, Steel

Contact Plating: Selective Gold Over Nickel Plated

Shell Plating: Tin Or Nickel Over Copper Plated

*RoHS & REACH compliant.



Recommended P.C.Board Layout

ORDERING INFORMATION:

P/N U M 8 M - $\frac{14}{1}$ $\frac{F}{2}$ $\frac{B}{3}$ $\frac{10}{4}$

1. NO. OF CONTACTS:

14

2. CONNECTOR TYPE:

"F" FEMALE

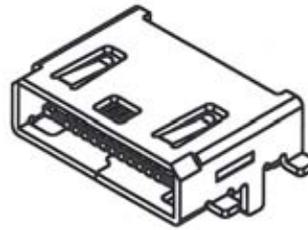
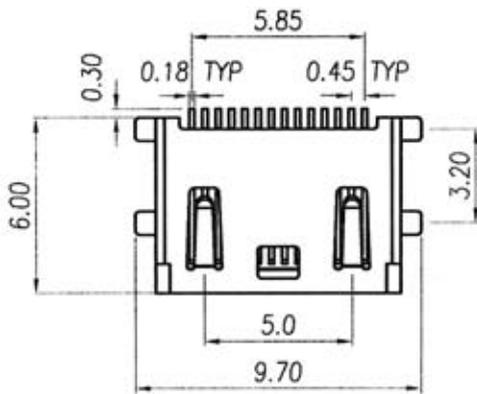
3. INSULATOR COLOR:

"B" BLACK

4. CONTACT FINISH:

"10" 10 MICROINCH GOLD

MINI USB 14 PIN FEMALE CONNECTOR SMT TYPE



SPECIFICATIONS

Current Rating: 1.0 Amp

Contact Resistance: 25 Milliohm Max.

Insulation Resistance: 1000 Megohm Min. At 500V

Dielectric Withstanding: 1000V At 1 Minute

Operating Temperature: -55°C to +105°C

MATERIALS

Insulator: THERMOPLASTIC, UL94V-0 RATED

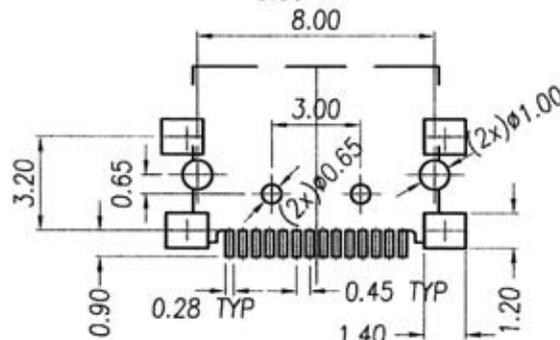
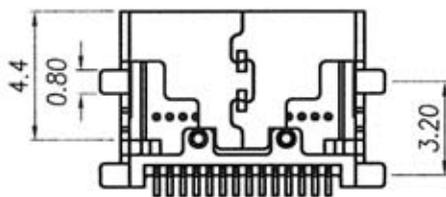
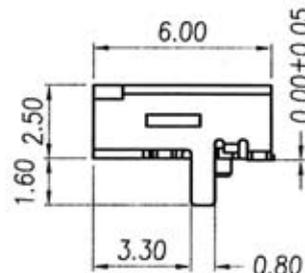
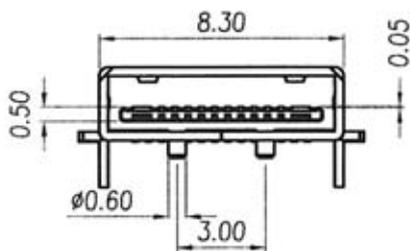
Contact: Brass

Shell: Brass, Steel

Contact Plating: Selective Gold Over Nickel Plated

Shell Plating: Tin Or Nickel Over Copper Plated

*RoHS & REACH compliant.



Recommended P.C.Board Layout

ORDERING INFORMATION:

P/N U M 8 N - 1 2 3 4 5 14 F B 10 G

1. NO. OF CONTACTS:

14

2. CONNECTOR TYPE:

"F" FEMALE

3. INSULATOR COLOR:

"B" BLACK

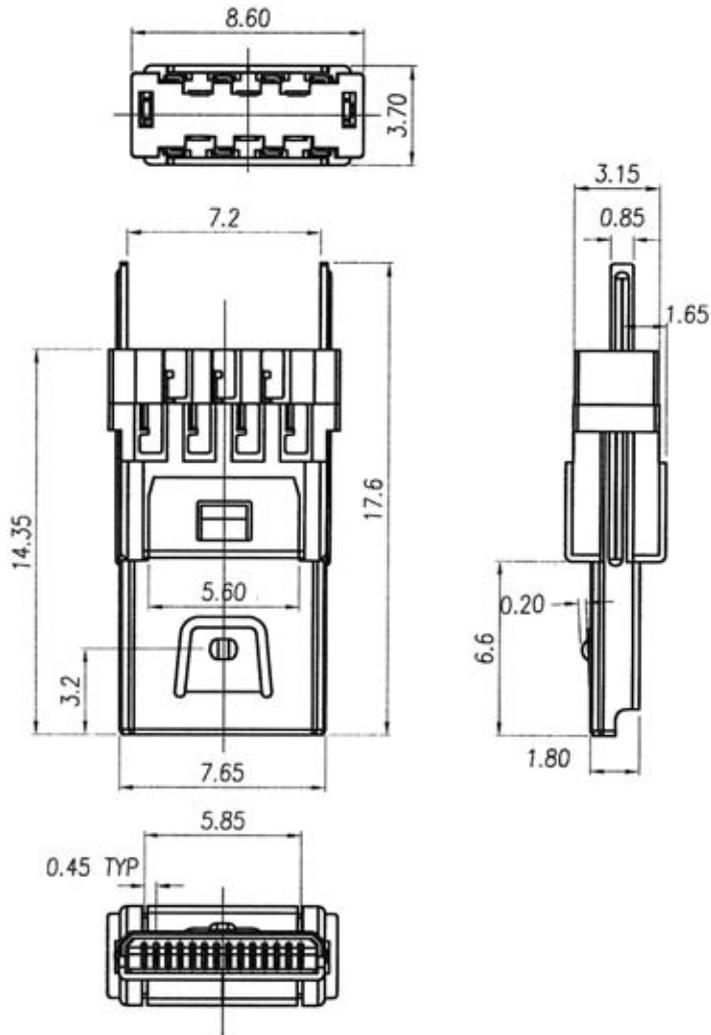
4. CONTACT FINISH:

"10" 10 MICROINCH GOLD

5. SHELL FINISH:

"G" GOLD FLASH

MINI USB 14 PIN MALE CONNECTOR FOR CABLE ASSEMBLY



SPECIFICATIONS

Current Rating: 1.0 Amp

Contact Resistance: 25 Milliohm Max.

Insulation Resistance: 1000 Megohm Min. At 500V

Dielectric Withstanding: 1000V At 1 Minute

Operating Temperature: -55°C to +105°C

MATERIALS

Insulator: THERMOPLASTIC, UL94V-0 RATED

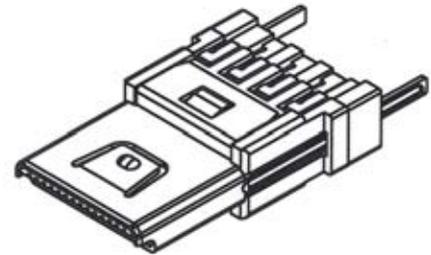
Contact: Brass

Shell: Brass, Steel

Contact Plating: Selective Gold Over Nickel Plated

Shell Plating: Tin Or Nickel Over Copper Plated

*RoHS & REACH compliant.



ORDERING INFORMATION:

P/N U M 8 U - 1 2 3 4 5 14 M B 10 G

1. NO. OF CONTACTS:

14

2. CONNECTOR TYPE:

"M" MALE

3. INSULATOR COLOR:

"B" BLACK

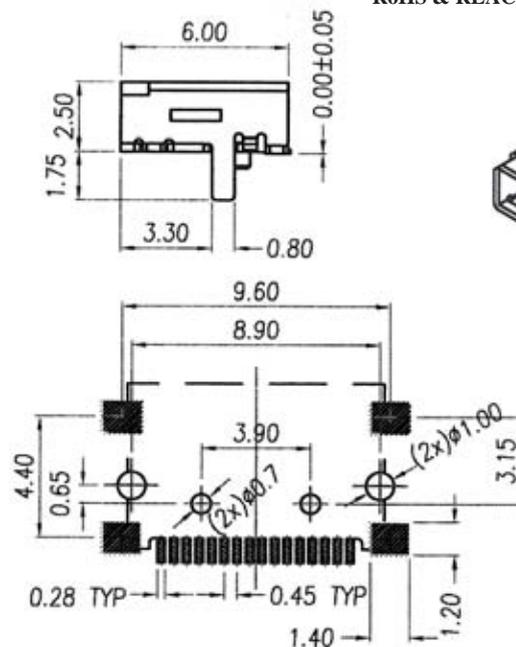
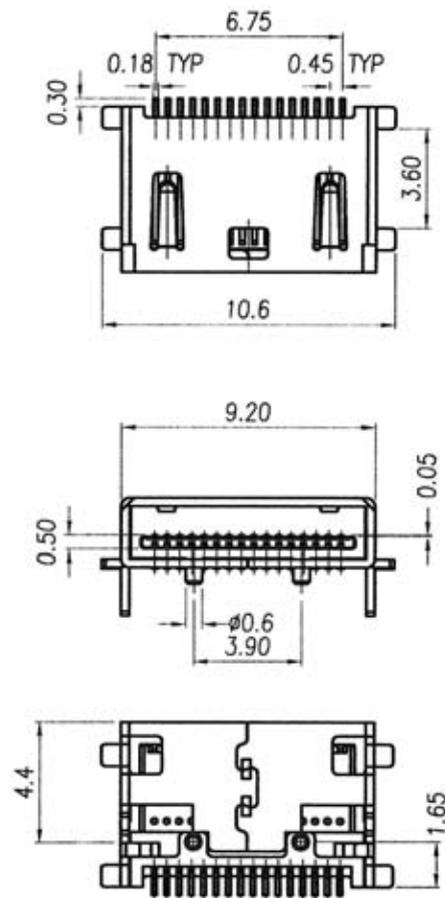
4. CONTACT FINISH:

"10" 10 MICROINCH GOLD

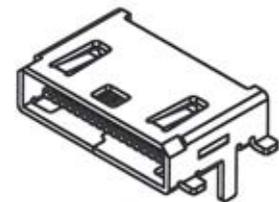
5. SHELL FINISH:

"G" GOLD FLASH

MINI USB 16 PIN FEMALE CONNECTOR SMT TYPE



Recommended P.C.Board Layout



SPECIFICATIONS

Current Rating: 1.0 Amp

Contact Resistance: 25 Milliohm Max.

Insulation Resistance: 1000 Megohm Min. At 500V

Dielectric Withstanding: 1000V At 1 Minute

Operating Temperature: -55°C to +105°C

MATERIALS

Insulator: THERMOPLASTIC, UL94V-0 RATED

Contact: Brass

Shell: Brass, Steel

Contact Plating: Selective Gold Over Nickel Plated

Shell Plating: Tin Or Nickel Over Copper Plated

*RoHS & REACH compliant.

ORDERING INFORMATION:

P/N U M 8 P - 1 6 F B 1 0 G
1 2 3 4 5

1. NO. OF CONTACTS:

16

2. CONNECTOR TYPE:

"F" FEMALE

3. INSULATOR COLOR:

"B" BLACK

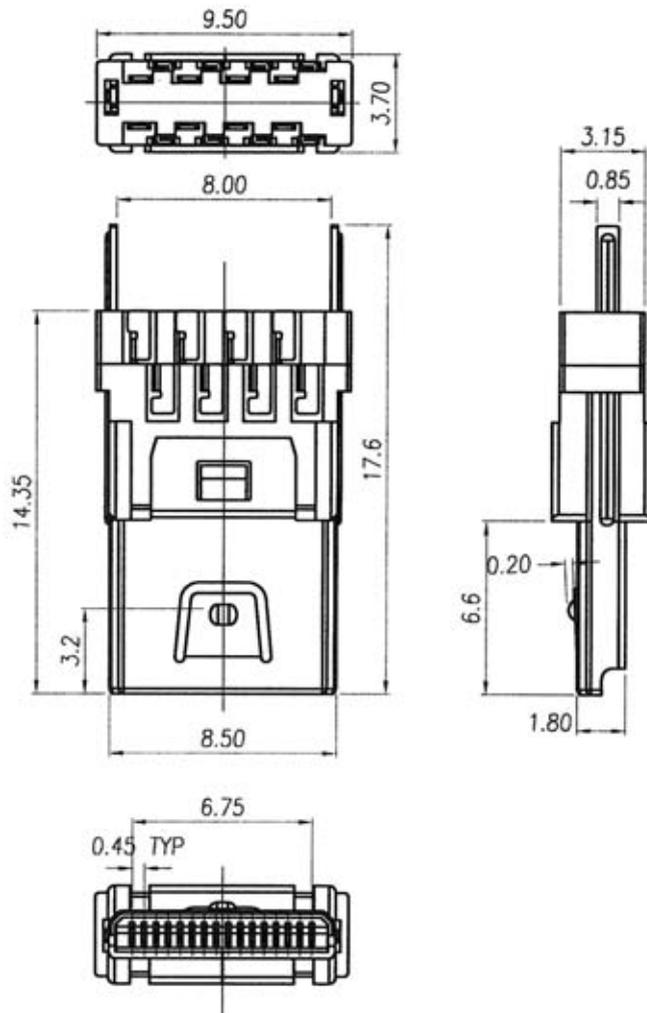
4. CONTACT FINISH:

"10" 10 MICROINCH GOLD

5. SHELL FINISH:

"G" GOLD FLASH

MINI USB 16 PIN MALE CONNECTOR Moulding Type For Cable Assembly



SPECIFICATIONS

Current Rating: 1.0 Amp

Contact Resistance: 25 Milliohm Max.

Insulation Resistance: 1000 Megohm Min. At 500V

Dielectric Withstanding: 1000V At 1 Minute

Operating Temperature: -55°C to +105°C

MATERIALS

Insulator: THERMOPLASTIC, UL94V-0 RATED

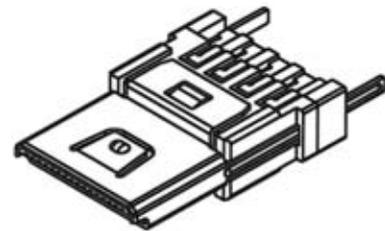
Contact: Brass

Shell: Brass, Steel

Contact Plating: Selective Gold Over Nickel Plated

Shell Plating: Tin Or Nickel Over Copper Plated

*RoHS & REACH compliant.



ORDERING INFORMATION:

P/N U M 8 V - 1 6 M B 1 0 G
1 2 3 4 5

1. NO. OF CONTACTS:

16

2. CONNECTOR TYPE:

"M" MALE

3. INSULATOR COLOR:

"B" BLACK

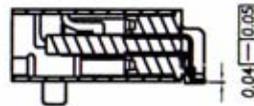
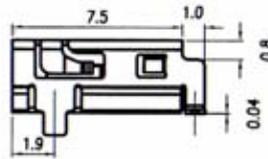
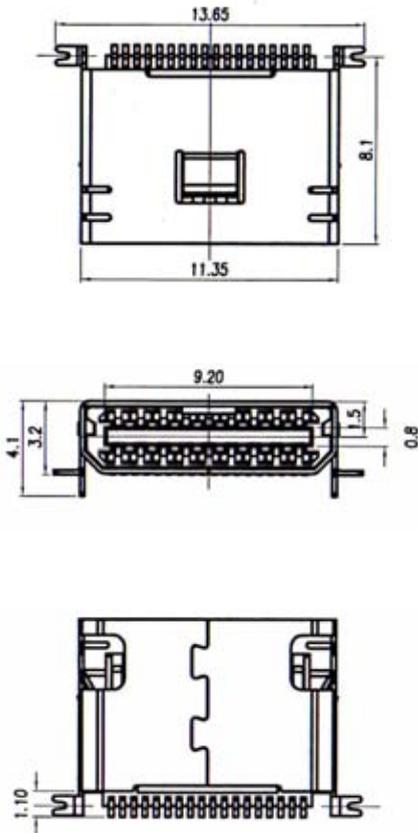
4. CONTACT FINISH:

"10" 10 MICROINCH GOLD

5. SHELL FINISH:

"G" GOLD FLASH

MINI USB 18 PIN FEMALE CONNECTOR SMT TYPE



SPECIFICATIONS

Current Rating: 1.0 Amp

Contact Resistance: 25 Milliohm Max.

Insulation Resistance: 1000 Megohm Min. At 500V

Dielectric Withstanding: 1000V At 1 Minute

Operating Temperature: -55°C to +105°C

MATERIALS

Insulator: THERMOPLASTIC, UL94V-0 RATED

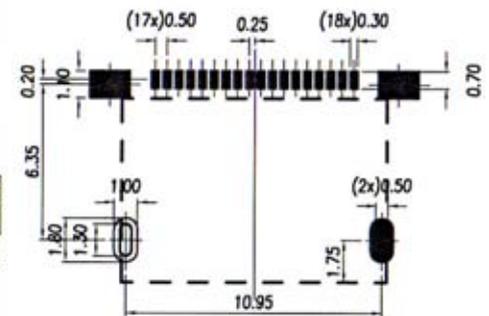
Contact: Brass

Shell: Brass, Steel

Contact Plating: Selective Gold Over Nickel Plated

Shell Plating: Tin Or Nickel Over Copper Plated

*RoHS & REACH compliant.



Recommended P.C. Board Layout

ORDERING INFORMATION:

P/N U M 9 3 - $\frac{18}{1}$ $\frac{F}{2}$ $\frac{B}{3}$ $\frac{x}{4}$

1. NO. OF CONTACTS:

18

2. CONNECTOR TYPE:

"F" FEMALE

3. INSULATOR COLOR:

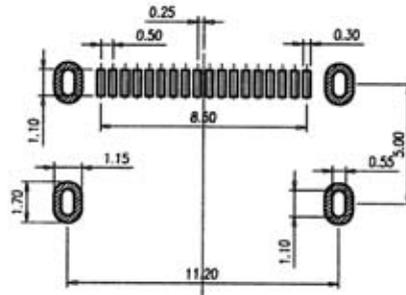
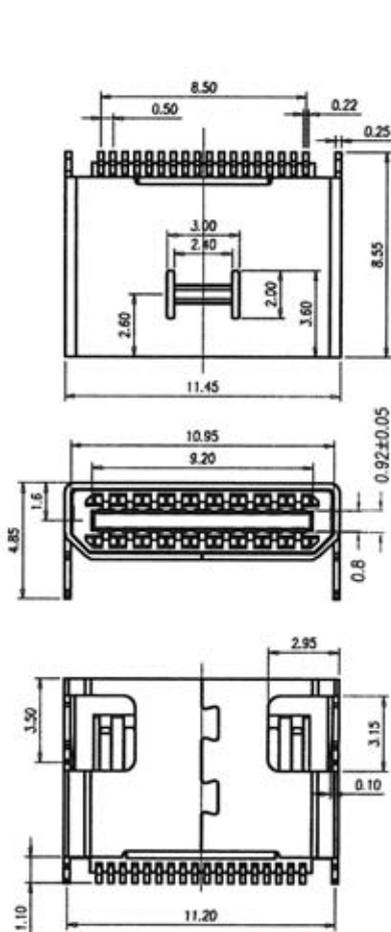
"B" BLACK

4. CONTACT FINISH:

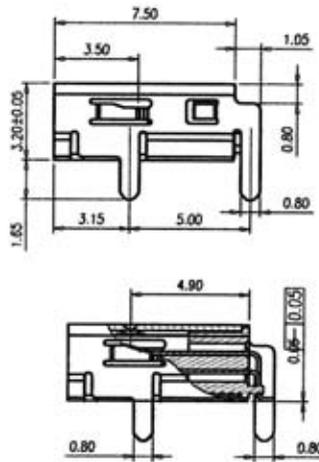
"10" 10 MICROINCH GOLD

"30" 30 MICROINCH GOLD

MINI USB 18 PIN FEMALE CONNECTOR SMT TYPE



Recommended P.C.Board Layout



SPECIFICATIONS

Current Rating: 1.0 Amp

Contact Resistance: 25 Milliohm Max.

Insulation Resistance: 1000 Megohm Min. At 500V

Dielectric Withstanding: 1000V At 1 Minute

Operating Temperature: -55°C to +105°C

MATERIALS

Insulator: THERMOPLASTIC, UL94V-0 RATED

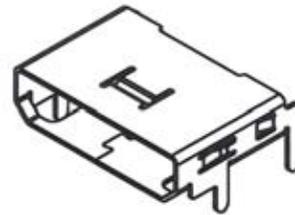
Contact: Brass

Shell: Brass, Steel

Contact Plating: Selective Gold Over Nickel Plated

Shell Plating: Tin Or Nickel Over Copper Plated

*RoHS & REACH compliant.



ORDERING INFORMATION:

P/N U M 8 Q - $\frac{18}{1}$ $\frac{F}{2}$ $\frac{B}{3}$ $\frac{10}{4}$ $\frac{x}{5}$

1. NO. OF CONTACTS:

18

2. CONNECTOR TYPE:

"F" FEMALE

3. INSULATOR COLOR:

"B" BLACK

4. CONTACT FINISH:

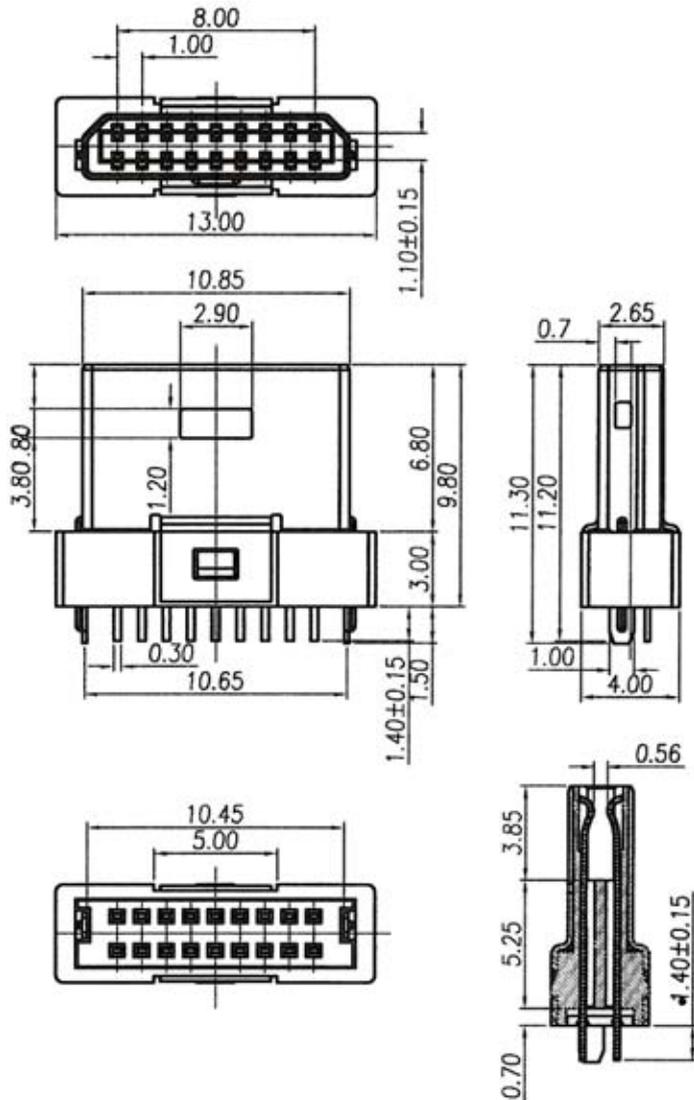
"10" 10 MICROINCH GOLD

5. SHELL FINISH:

" " NICKEL PLATED

"G" GOLD FLASH

MINI USB 18 PIN MALE CONNECTOR STRAIGHT DIP TYPE



SPECIFICATIONS

Current Rating: 1.0 Amp

Contact Resistance: 25 Milliohm Max.

Insulation Resistance: 1000 Megohm Min. At 500V

Dielectric Withstanding: 1000V At 1 Minute

Operating Temperature: -55°C to +105°C

MATERIALS

Insulator: THERMOPLASTIC, UL94V-0 RATED

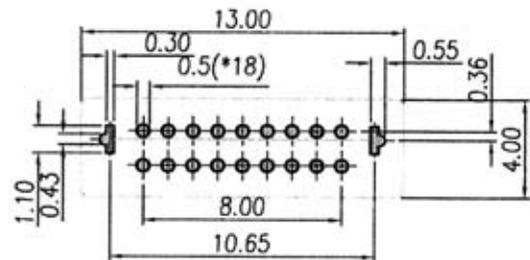
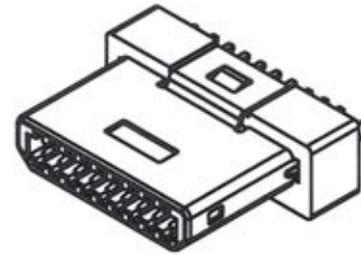
Contact: Brass

Shell: Brass, Steel

Contact Plating: Selective Gold Over Nickel Plated

Shell Plating: Tin Or Nickel Over Copper Plated

*RoHS & REACH compliant.



Recommended P.C.Board Layout

ORDERING INFORMATION:

P/N U M 8 W - $\frac{18}{1}$ $\frac{M}{2}$ $\frac{B}{3}$ $\frac{10}{4}$ $\frac{x}{5}$

1. NO. OF CONTACTS:

18

2. CONNECTOR TYPE:

"M" MALE

3. INSULATOR COLOR:

"B" BLACK

4. CONTACT FINISH:

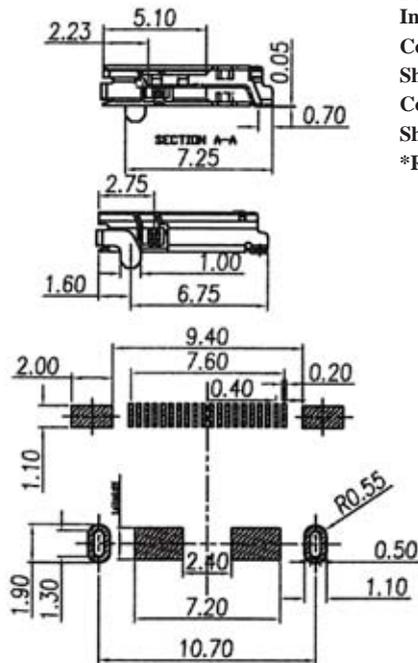
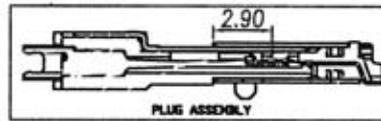
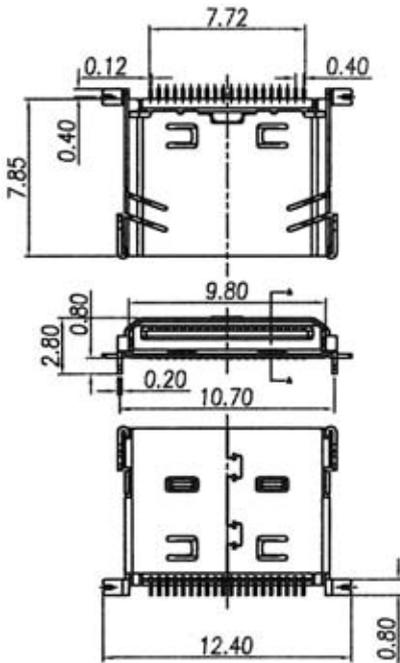
"10" 10 MICROINCH GOLD

5. SHELL FINISH:

" " NICKEL PLATED

"G" GOLD FLASH

MINI USB 20 PIN FEMALE CONNECTOR SMT TYPE



Recommended P.C.Board Layout

SPECIFICATIONS

Current Rating: 1.0 Amp

Contact Resistance: 25 Milliohm Max.

Insulation Resistance: 1000 Megohm Min. At 500V

Dielectric Withstanding: 1000V At 1 Minute

Operating Temperature: -55°C to +105°C

MATERIALS

Insulator: THERMOPLASTIC, UL94V-0 RATED

Contact: Brass

Shell: Brass, Steel

Contact Plating: Selective Gold Over Nickel Plated

Shell Plating: Tin Or Nickel Over Copper Plated

*RoHS & REACH compliant.

ORDERING INFORMATION:

P/N U M 8 R - 2 0 F B 0 5
1 2 3 4

1. NO. OF CONTACTS:

20

2. CONNECTOR TYPE:

"F" FEMALE

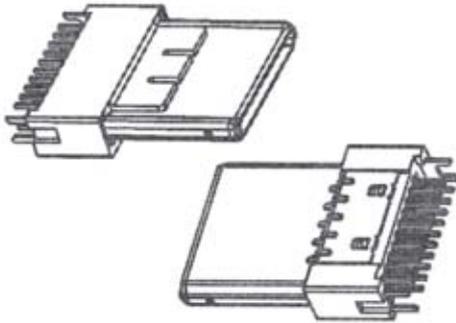
3. INSULATOR COLOR:

"B" BLACK

4. CONTACT FINISH:

"05" 5 MICRORINCH GOLD

MINI USB 20 PIN MALE CONNECTOR FOR CABLE ASSEMBLY



SPECIFICATIONS

Current Rating: 1.0 Amp

Contact Resistance: 25 Milliohm Max.

Insulation Resistance: 1000 Megohm Min. At 500V

Dielectric Withstanding: 1000V At 1 Minute

Operating Temperature: -55°C to +105°C

MATERIALS

Insulator: THERMOPLASTIC, UL94V-0 RATED

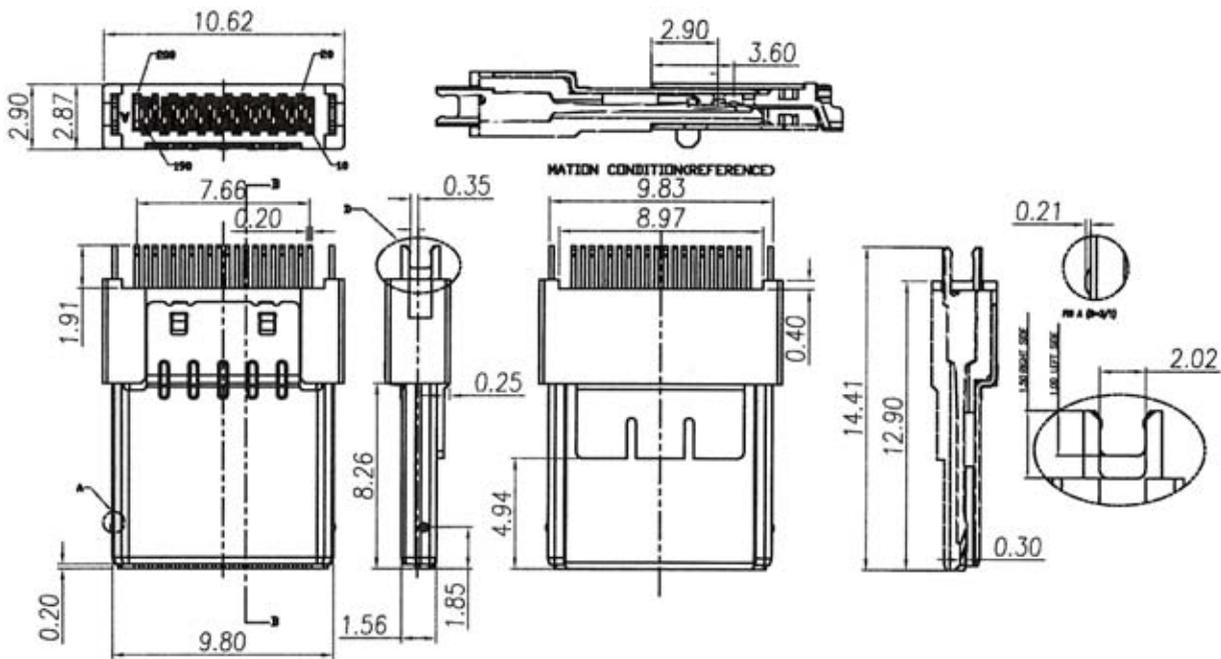
Contact: Brass

Shell: Brass, Steel

Contact Plating: Selective Gold Over Nickel Plated

Shell Plating: Tin Or Nickel Over Copper Plated

*RoHS & REACH compliant.



ORDERING INFORMATION:

P/N U M 8 Y - 2 0 M B 1 0
1 2 3 4

1. NO. OF CONTACTS:

20

2. CONNECTOR TYPE:

"M" MALE

3. INSULATOR COLOR:

"B" BLACK

4. CONTACT FINISH:

"10" 10 MICROINCH GOLD