

MICRO USB A TYPE 5 PIN MALE CONNECTOR CABLE SOLDER TYPE

SPECIFICATIONS

Rating: 0.5A/250VAC

Insulation Resistance: 100M Ω Min

Dielectric Withstanding: 100VAC/1Minute

Contact Resistance: 30m Ω Max.

MATERIALS

Pin: Phosphor Bronze

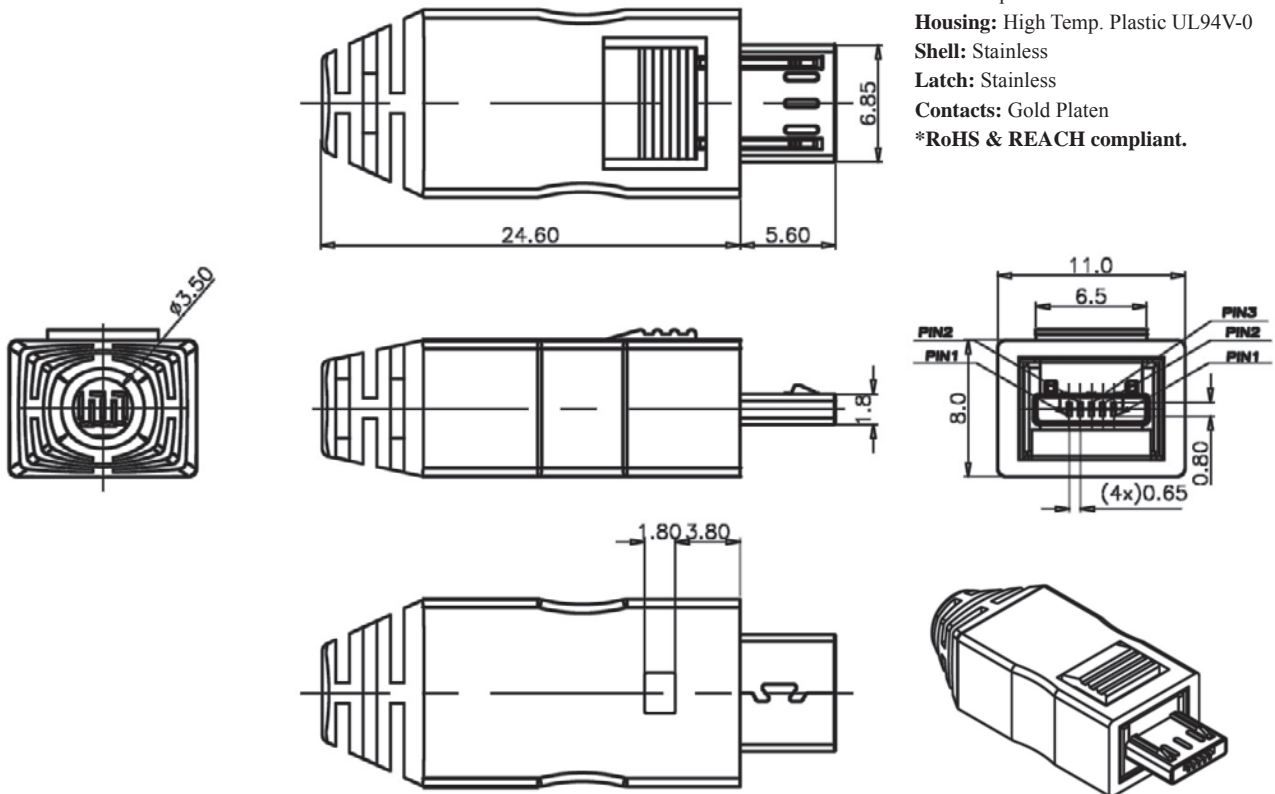
Housing: High Temp. Plastic UL94V-0

Shell: Stainless

Latch: Stainless

Contacts: Gold Platen

*RoHS & REACH compliant.



ORDERING INFORMATION:

P/N U R 0 7 - 0 5 M x x x
1 2 3 4

1. NO. OF CONTACTS:

05

2. CONNECTOR TYPE:

"M" MALE

3. INSULATOR COLOR:

"B" BLACK

"W" WHITE

4. CONTACT FINISH:

"15" 15 MICROINCH GOLD

"30" 30 MICROINCH GOLD

MICRO USB A TYPE 5 PIN MALE CONNECTOR CABLE SOLDER TYPE WITH SHELL

SPECIFICATIONS

Rating: 0.5A/250VAC

Insulation Resistance: 100MΩ Min

Dielectric Withstanding: 100VAC/1Minute

Contact Resistance: 30mΩ Max.

MATERIALS

Pin: Phosphor Bronze

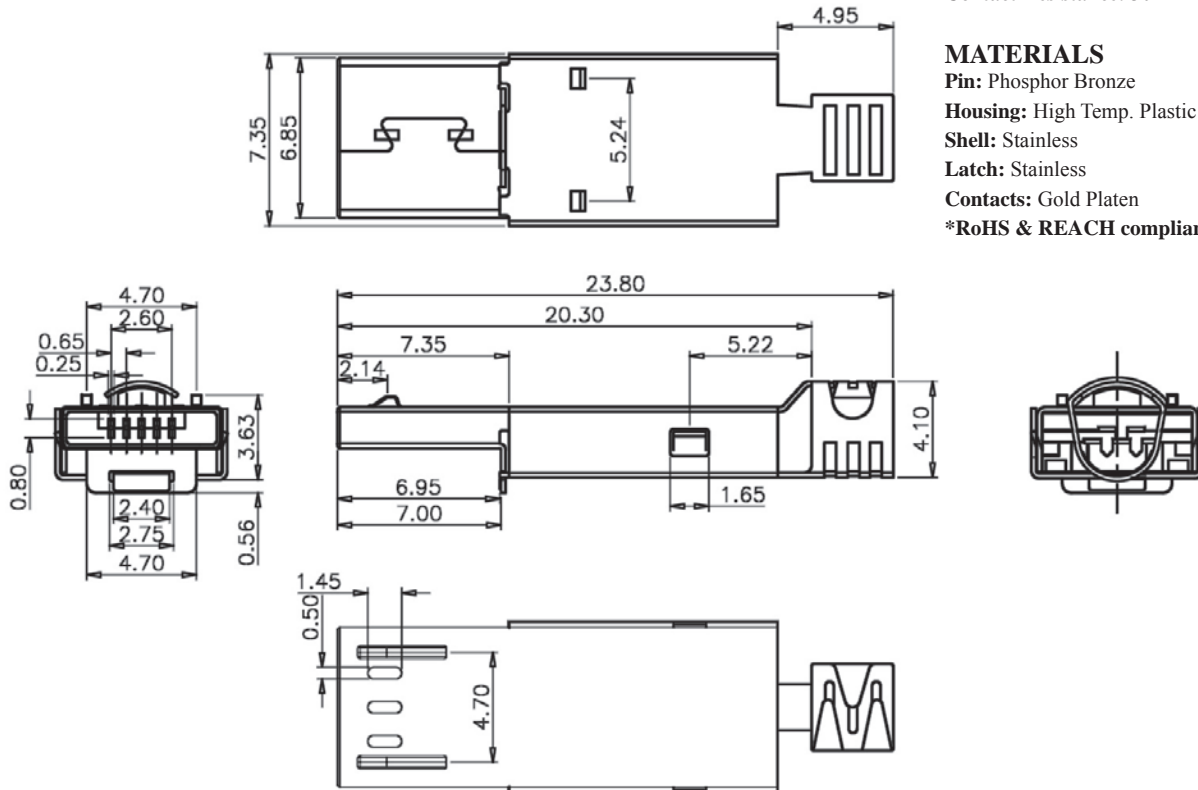
Housing: High Temp. Plastic UL94V-0

Shell: Stainless

Latch: Stainless

Contacts: Gold Platen

***RoHS & REACH compliant.**



ORDERING INFORMATION:

P/N U R 2 7 - 0 5 M B x x
1 2 3 4

1. NO. OF CONTACTS:
05
2. CONNECTOR TYPE:
"M" MALE
3. INSULATOR COLOR:
"B" BLACK
4. CONTACT FINISH:
"01" GOLD FLASH

MICRO USB B TYPE 5 PIN MALE CONNECTOR CABLE SOLDER TYPE

SPECIFICATIONS

Rating: 0.5A/250VAC

Insulation Resistance: 100MΩ Min

Dielectric Withstanding: 100VAC/1Minute

Contact Resistance: 30mΩ Max.

MATERIALS

Pin: Phosphor Bronze

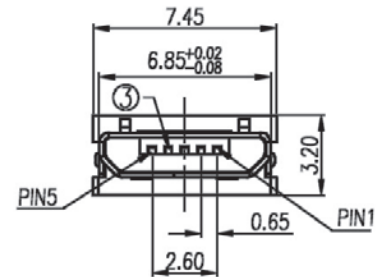
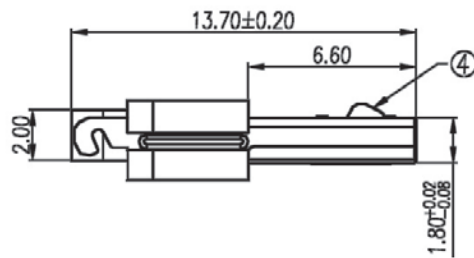
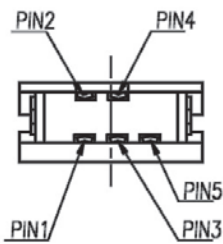
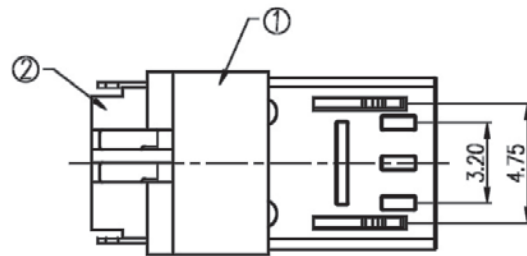
Housing: High Temp. Plastic UL94V-0

Shell: Stainless

Latch: Stainless

Contacts: Gold Platen

*RoHS & REACH compliant.



ORDERING INFORMATION:

P/N U R 0 5 - 0 5 M B x x
1 2 3 4

1. NO. OF CONTACTS:

05

2. CONNECTOR TYPE:

"M" MALE

3. INSULATOR COLOR:

"B" BLACK

4. CONTACT FINISH:

"30" 30 MICROINCH GOLD

MICRO USB B TYPE 5 PIN MALE CONNECTOR CABLE SOLDER TYPE

SPECIFICATIONS

Rating: 0.5A/250VAC

Insulation Resistance: 100MΩ Min

Dielectric Withstanding: 100VAC/1Minute

Contact Resistance: 30mΩ Max.

MATERIALS

Pin: Phosphor Bronze

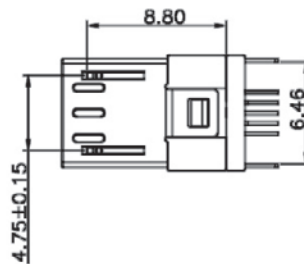
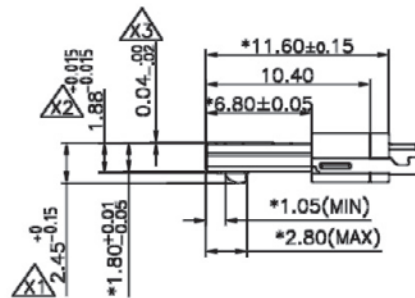
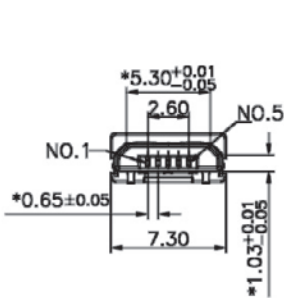
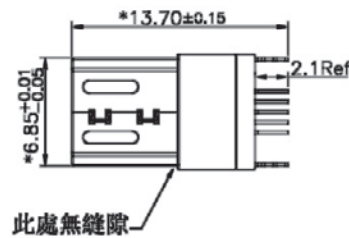
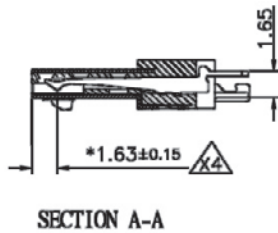
Housing: High Temp. Plastic UL94V-0

Shell: Stainless

Latch: Stainless

Contacts: Gold Platen

*RoHS & REACH compliant.



ORDERING INFORMATION:

P/N U R 1 3 - 0 5 M B x x
1 2 3 4

1. NO. OF CONTACTS:

05

2. CONNECTOR TYPE:

"M" MALE

3. INSULATOR COLOR:

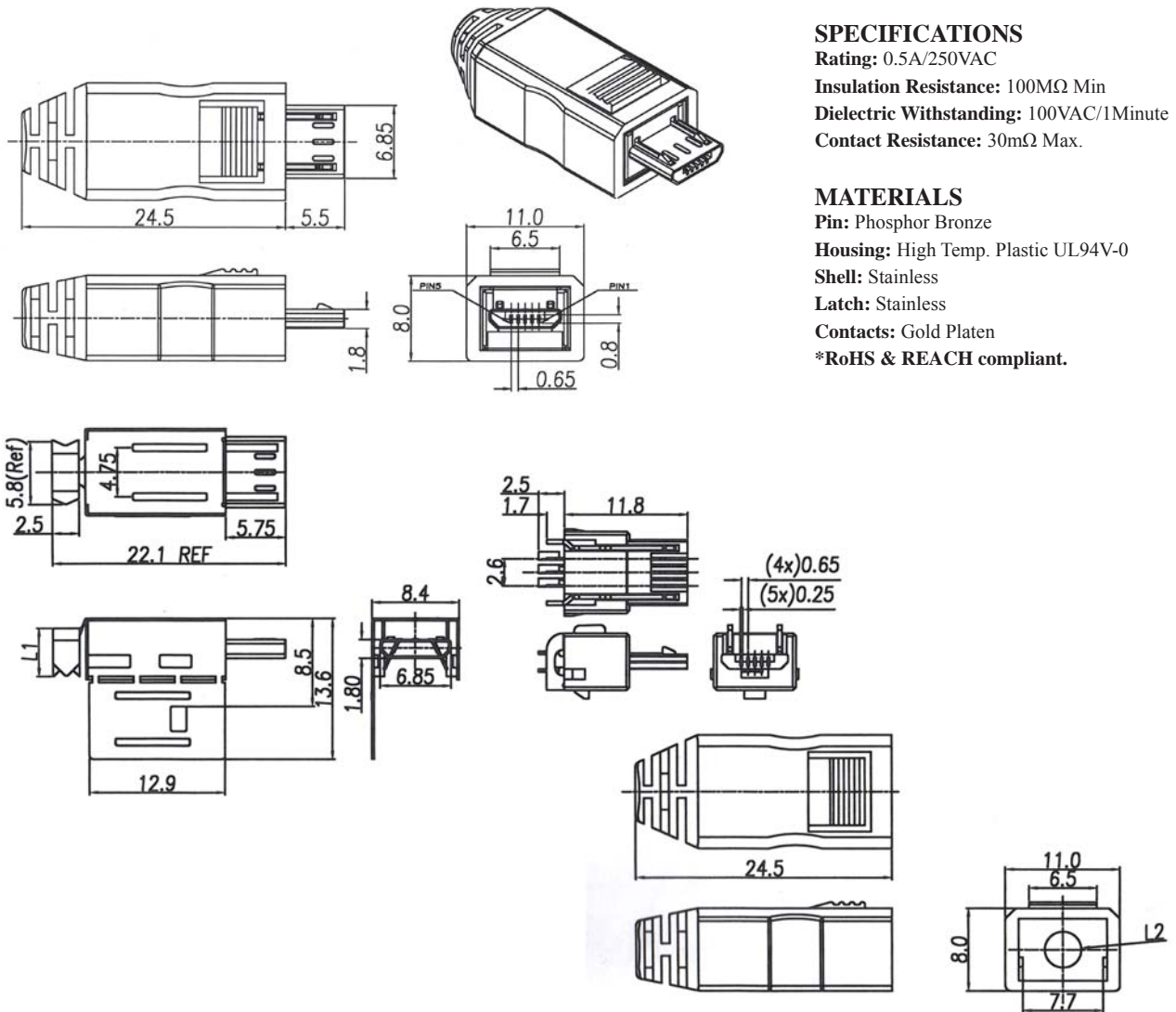
"B" BLACK

4. CONTACT FINISH:

"30" 30 MICROINCH GOLD

"01" GOLD FLASH

MICRO USB B TYPE 5 PIN MALE CONNECTOR CABLE SOLDER TYPE



SPECIFICATIONS

Rating: 0.5A/250VAC
Insulation Resistance: 100MΩ Min
Dielectric Withstanding: 100VAC/1Minute
Contact Resistance: 30mΩ Max.

MATERIALS

Pin: Phosphor Bronze
Housing: High Temp. Plastic UL94V-0
Shell: Stainless
Latch: Stainless
Contacts: Gold Platen
***RoHS & REACH compliant.**

ORDERING INFORMATION:

P/N U R 2 3 - 0 5 M B x x x x

1. NO. OF CONTACTS:

05

2. CONNECTOR TYPE:

"M" MALE

3. INSULATOR COLOR:

"B" BLACK

4. CONTACT FINISH:

"15" 15 MICROINCH GOLD

"30" 30 MICROINCH GOLD

5. SHELL FINISH:

" " OFF WITH GREASINESS

"G" GOLD FLASH

6. CABLE ENTRY DIAMETER:

" " L2=Ø3.5MM (STANDARD)

"1" L2=Ø4.7MM

MICRO USB B TYPE 5 PIN MALE CONNECTOR CABLE SOLDER TYPE

SPECIFICATIONS

Rating: 0.5A/250VAC

Insulation Resistance: 100MΩ Min

Dielectric Withstanding: 100VAC/1Minute

Contact Resistance: 30mΩ Max.

MATERIALS

Pin: Phosphor Bronze

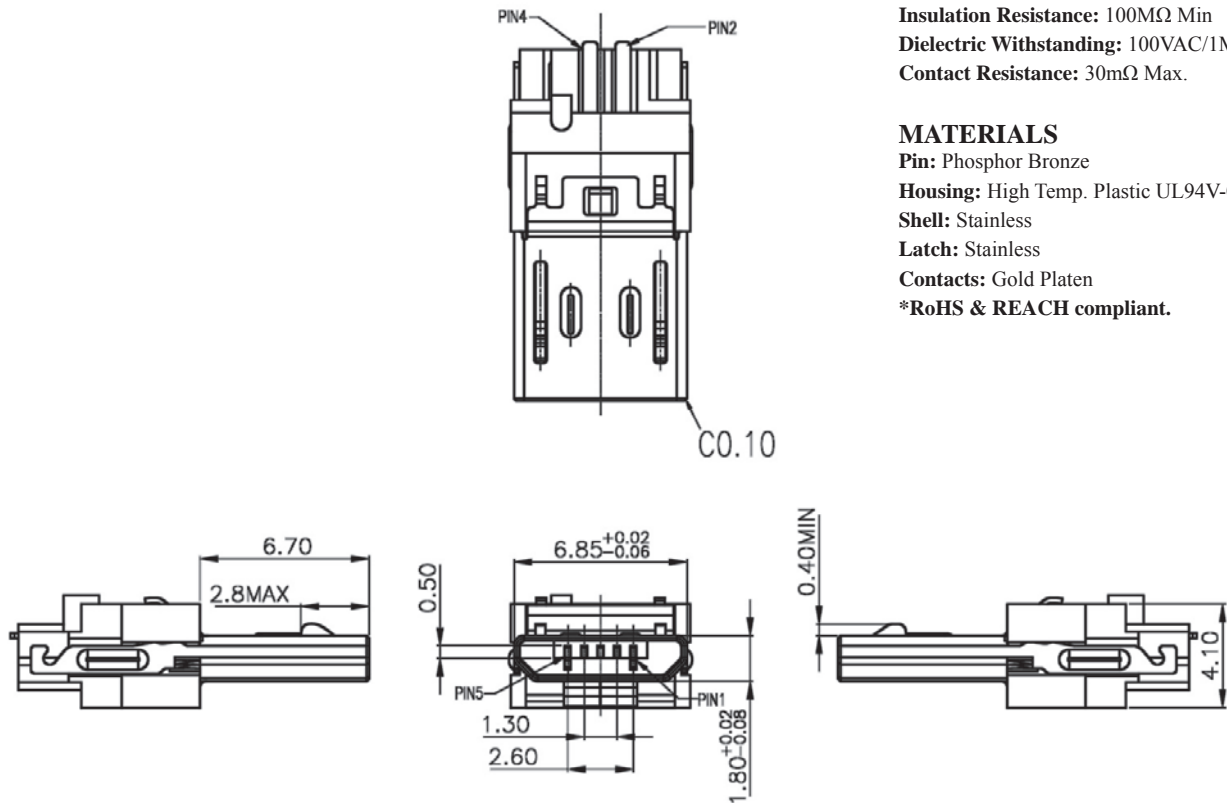
Housing: High Temp. Plastic UL94V-0

Shell: Stainless

Latch: Stainless

Contacts: Gold Platen

***RoHS & REACH compliant.**



ORDERING INFORMATION:

P/N U R 3 5 - 0 5 M B x x
1 2 3 4

1. NO. OF CONTACTS:

05

2. CONNECTOR TYPE:

"M" MALE

3. INSULATOR COLOR:

"B" BLACK

4. CONTACT FINISH:

"03" 3 MICROINCH GOLD

"06" 6 MICROINCH GOLD

"15" 15 MICROINCH GOLD

"30" 30 MICROINCH GOLD

"01" GOLD FLASH

MICRO USB B TYPE 5 PIN MALE CONNECTOR CABLE ASSEMBLY TYPE WITH SHELL

SPECIFICATIONS

Rating: 0.5A/250VAC

Insulation Resistance: 100MΩ Min

Dielectric Withstanding: 100VAC/1Minute

Contact Resistance: 30mΩ Max.

MATERIALS

Pin: Phosphor Bronze

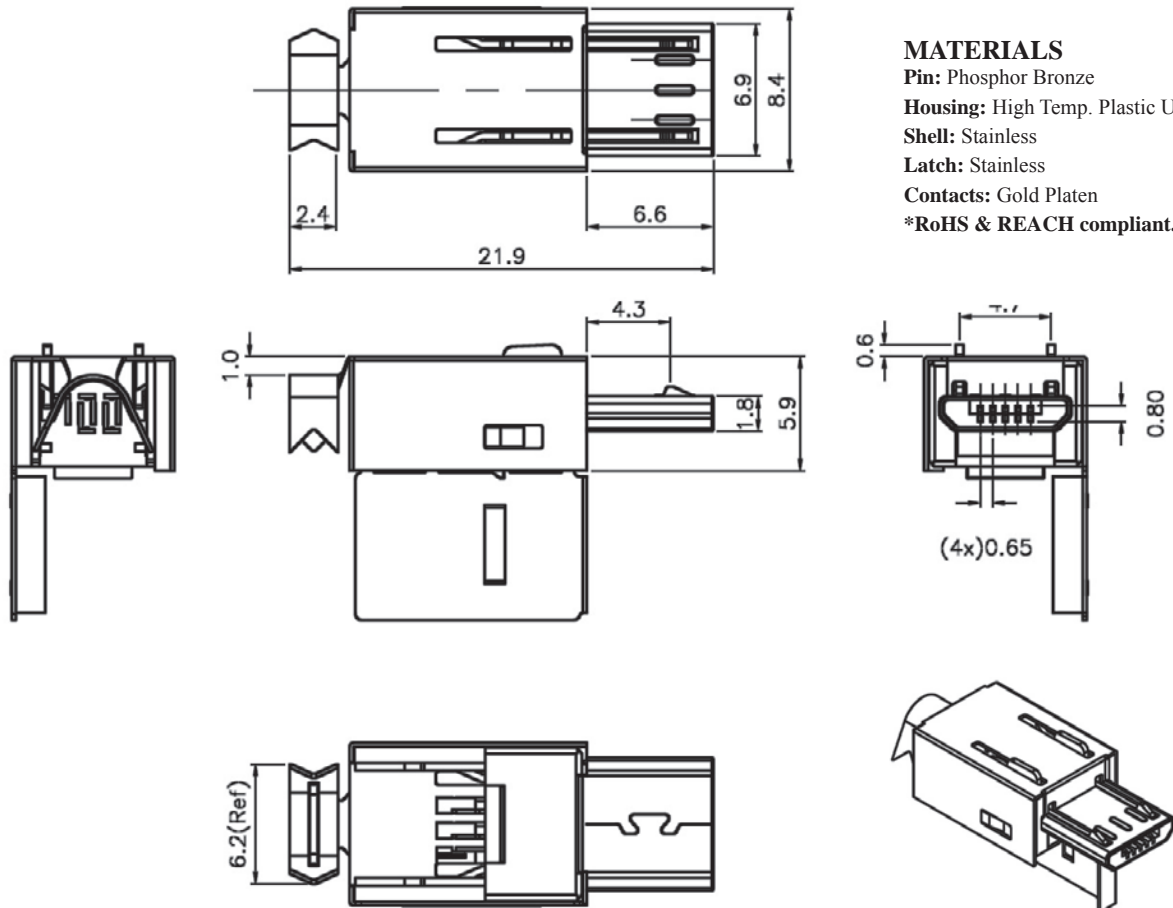
Housing: High Temp. Plastic UL94V-0

Shell: Stainless

Latch: Stainless

Contacts: Gold Platen

***RoHS & REACH compliant.**



ORDERING INFORMATION:

P/N U R 4 2 - 0 5 M B x x
 $\frac{1}{2} \frac{3}{4}$

1. NO. OF CONTACTS:

05

2. CONNECTOR TYPE:

"M" MALE

3. INSULATOR COLOR:

"B" BLACK

4. CONTACT FINISH:

"30" 30 MICROINCH GOLD

MICRO USB B TYPE 5 PIN MALE CONNECTOR CABLE SOLDER TYPE WITH SHELL

SPECIFICATIONS

Rating: 0.5A/250VAC

Insulation Resistance: 100MΩ Min

Dielectric Withstanding: 100VAC/1Minute

Contact Resistance: 30mΩ Max.

MATERIALS

Pin: Phosphor Bronze

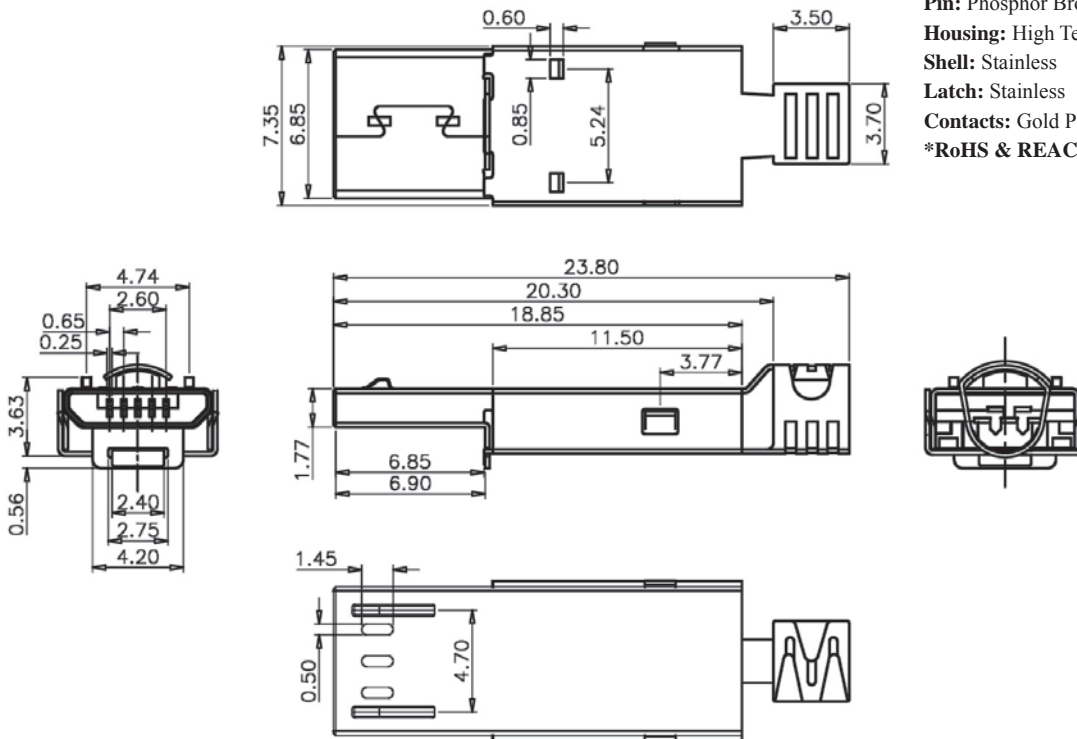
Housing: High Temp. Plastic UL94V-0

Shell: Stainless

Latch: Stainless

Contacts: Gold Platen

***RoHS & REACH compliant.**

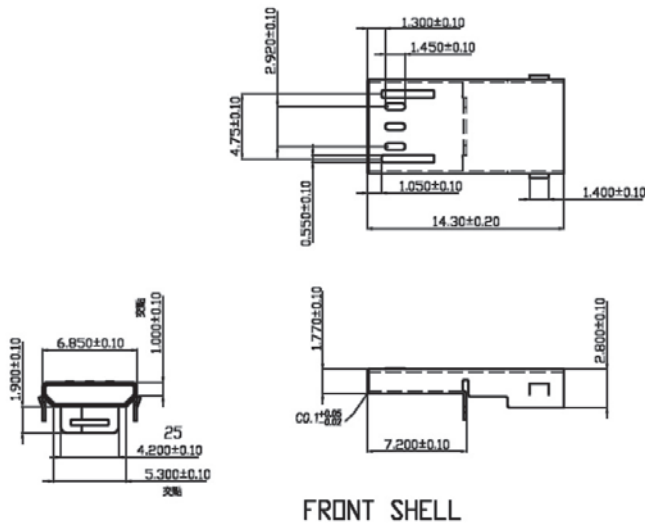


ORDERING INFORMATION:

P/N U R 3 6 - 0 5 M B x x
1 2 3 4

1. NO. OF CONTACTS:
05
2. CONNECTOR TYPE:
"M" MALE
3. INSULATOR COLOR:
"B" BLACK
4. CONTACT FINISH:
"01" GOLD FLASH

MICRO USB B TYPE 5 PIN MALE CONNECTOR CABLE SOLDER TYPE WITH SHELL

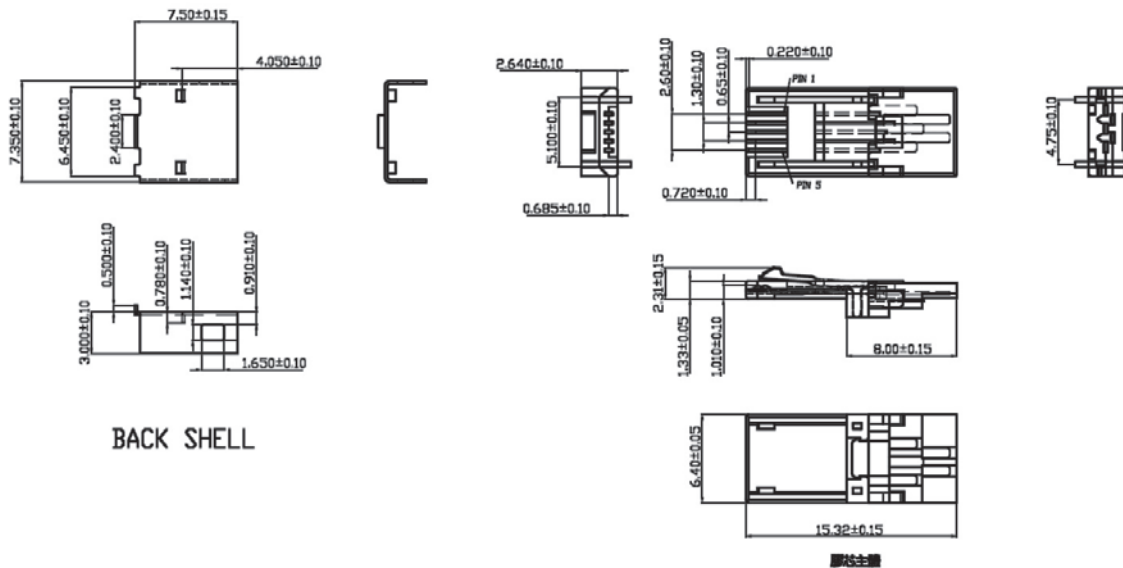


SPECIFICATIONS

Rating: 0.5A/250VAC
Insulation Resistance: 100MΩ Min
Dielectric Withstanding: 100VAC/1Minute
Contact Resistance: 30mΩ Max.

MATERIALS

Pin: Phosphor Bronze
Housing: High Temp. Plastic UL94V-0
Shell: Stainless
Latch: Stainless
Contacts: Gold Platen
***RoHS & REACH compliant.**

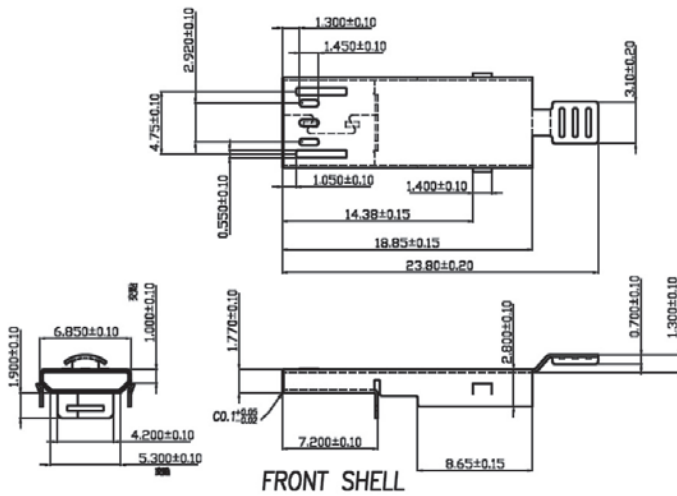


ORDERING INFORMATION:

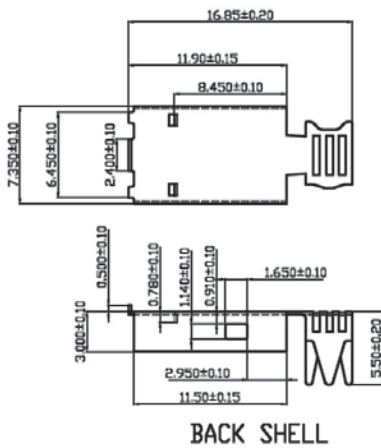
P/N UR 37 - 05 M B x x
 1 2 3 4

1. NO. OF CONTACTS:
05
2. CONNECTOR TYPE:
"M" MALE
3. INSULATOR COLOR:
"B" BLACK
4. CONTACT FINISH:
"30" 30 MICROINCH GOLD

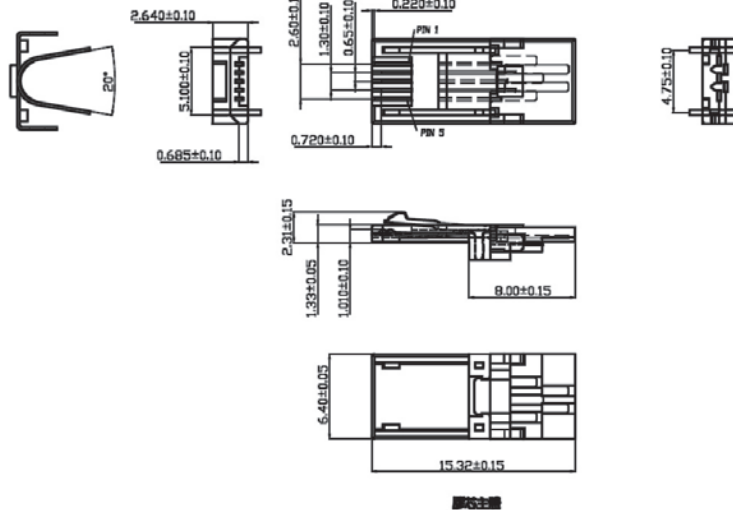
MICRO USB B TYPE 5 PIN MALE CONNECTOR CABLE SOLDER TYPE WITH SHELL



FRONT SHELL



BACK SHELL



SPECIFICATIONS

Rating: 0.5A/250VAC

Insulation Resistance: 100MΩ Min

Dielectric Withstanding: 100VAC/1Minute

Contact Resistance: 30mΩ Max.

MATERIALS

Pin: Phosphor Bronze

Housing: High Temp. Plastic UL94V-0

Shell: Stainless

Latch: Stainless

Contacts: Gold Platen

*RoHS & REACH compliant.

ORDERING INFORMATION:

P/N U R 4 3 - 0 5 M B x x
1 2 3 4

1. NO. OF CONTACTS:

05

2. CONNECTOR TYPE:

"M" MALE

3. INSULATOR COLOR:

"B" BLACK

4. CONTACT FINISH:

"30" 30 MICROINCH GOLD