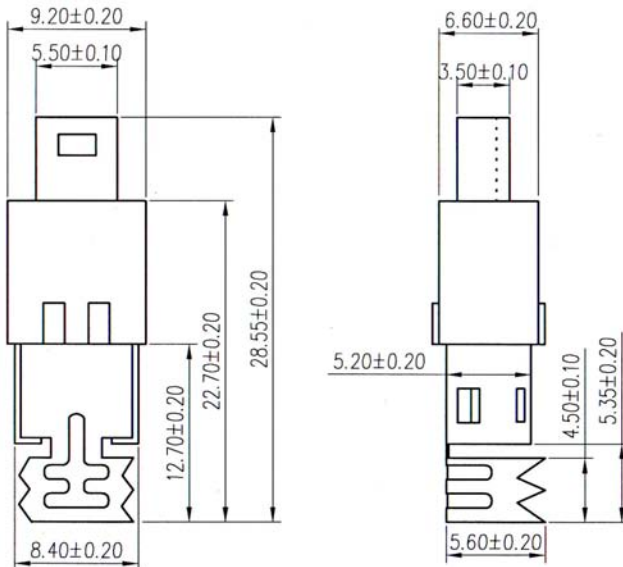
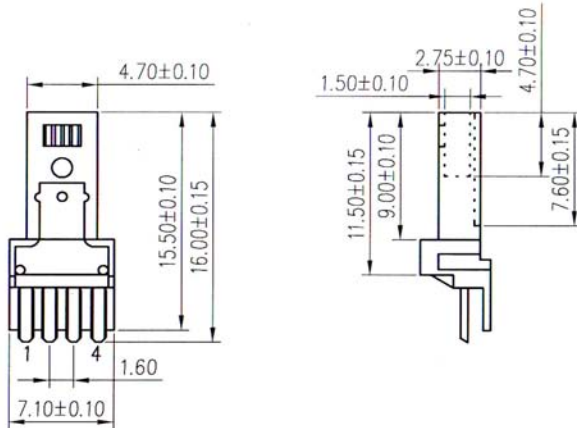


IEEE1394 4 PIN MALE CONNECTOR CABLE MOLDED TYPE



SPECIFICATIONS

Current Rating: 1.0 Amperes
Contact Resistance: 25mΩ Max.
Insulation Resistance: 1000MΩ Min. at 500V
Dielectric Voltage: 1000V at 1 Minute
Operating Temperature: -55°C to +105°C

MATERIALS

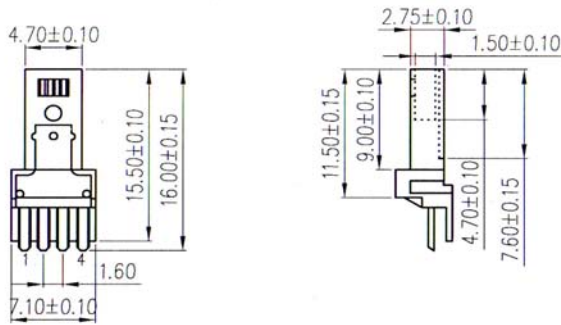
Insulator: PBT, UL94V-0 Rated
Contact: Brass
Shell: Brass, Steel
Contact Plating: Selective Gold Over Nickel Plated
Shell Plating: Tin Or Nickel Over Copper Plated
***RoHS & REACH compliant.**

ORDERING INFORMATION:

P/N F W 5 1 - $\frac{0}{1}$ $\frac{4}{2}$ $\frac{M}{3}$ $\frac{B}{4}$ x x

1. NO. OF CONTACTS:
04
2. CONNECTOR TYPE:
"M" MALE
3. INSULATOR COLOR:
"B" BLACK
4. CONTACT FINISH:
"15" 15 MICROINCH GOLD
"30" 30 MICROINCH GOLD

IEEE1394 4 PIN MALE CONNECTOR CABLE ASSEMBLY TYPE

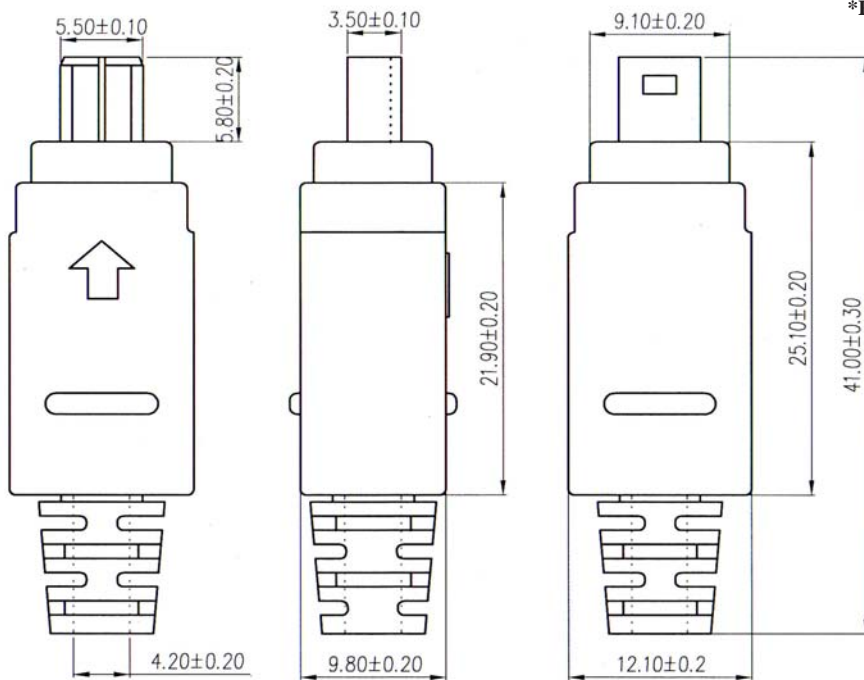


SPECIFICATIONS

Current Rating: 1.0 Amperes
Contact Resistance: 25mΩ Max.
Insulation Resistance: 1000MΩ Min. at 500V
Dielectric Voltage: 1000V at 1 Minute
Operating Temperature: -55°C to +105°C

MATERIALS

Insulator: PBT, UL94V-0 Rated
Contact: Brass
Shell: Brass, Steel
Contact Plating: Selective Gold Over Nickel Plated
Shell Plating: Tin Or Nickel Over Copper Plated
***RoHS & REACH compliant.**



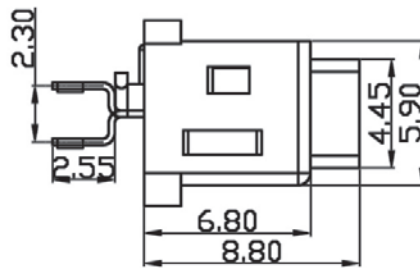
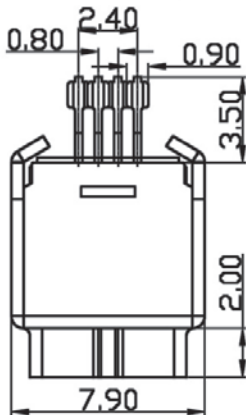
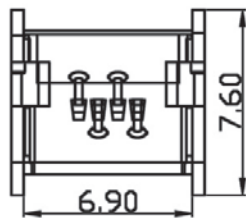
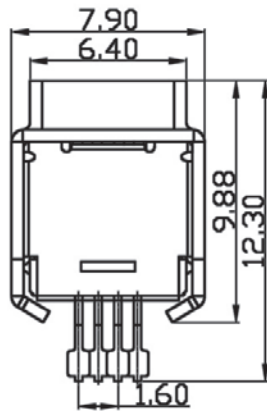
ORDERING INFORMATION:

P/N F W 5 2 - 0 4 M B x x
1 2 3 4

1. NO. OF CONTACTS:
04
2. CONNECTOR TYPE:
"M" MALE
3. INSULATOR COLOR:
"B" BLACK
4. CONTACT FINISH:
"15" 15 MICROINCH GOLD
"30" 30 MICROINCH GOLD

NOTE: STRAIN RELIEF O.D.= 4.2MM

IEEE1394 4 PIN FEMALE CONNECTOR CABLE SOLDER TYPE



SPECIFICATIONS

Current Rating: 1.0 Amperes
Contact Resistance: 25mΩ Max.
Insulation Resistance: 1000MΩ Min. at 500V
Dielectric Voltage: 1000V at 1 Minute
Operating Temperature: -55°C to +105°C

MATERIALS

Insulator: PBT, UL94V-0 Rated
Contact: Brass
Shell: Brass, Steel
Contact Plating: Selective Gold Over Nickel Plated
Shell Plating: Tin Or Nickel Over Copper Plated
***RoHS & REACH compliant.**

ORDERING INFORMATION:

P/N F W 1 4 - $\frac{0}{1}$ $\frac{4}{2}$ $\frac{F}{3}$ $\frac{B}{4}$ $\frac{x}{x}$

1. NO. OF CONTACTS:
04
2. CONNECTOR TYPE:
"F" FEMALE
3. INSULATOR COLOR:
"B" BLACK
4. CONTACT FINISH:
"01" GOLD FLASH
"15" 15 MICROINCH GOLD
"30" 30 MICROINCH GOLD

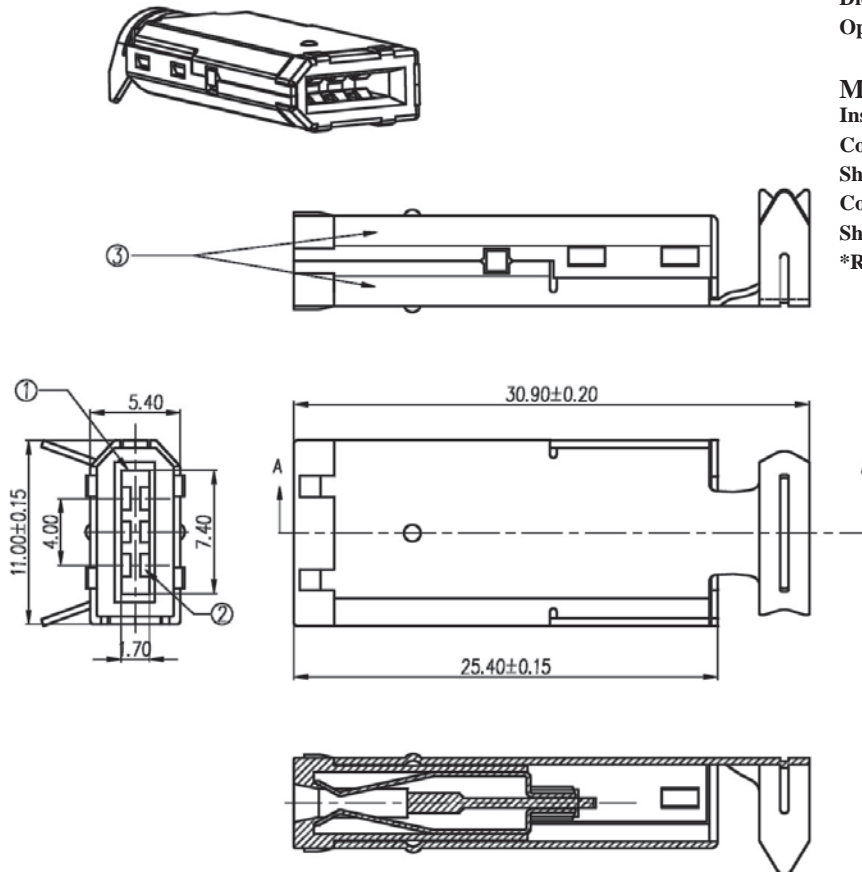
IEEE1394 6 PIN MALE CONNECTOR CABLE MOLDED TYPE

SPECIFICATIONS

Current Rating: 1.0 Amperes
Contact Resistance: 25mΩ Max.
Insulation Resistance: 1000MΩ Min. at 500V
Dielectric Voltage: 1000V at 1 Minute
Operating Temperature: -55°C to +105°C

MATERIALS

Insulator: PBT, UL94V-0 Rated
Contact: Brass
Shell: Brass, Steel
Contact Plating: Selective Gold Over Nickel Plated
Shell Plating: Tin Or Nickel Over Copper Plated
***RoHS & REACH compliant.**

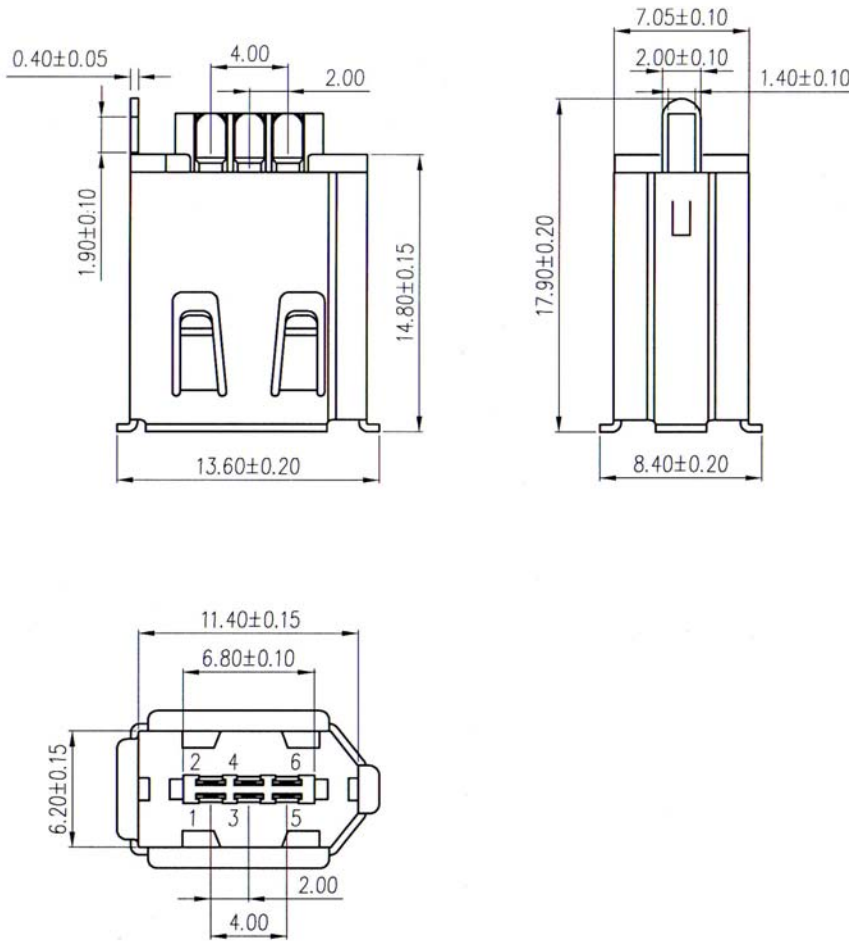


ORDERING INFORMATION:

P/N F W 5 3 - 0.6 M B x x
1 2 3 4

1. NO. OF CONTACTS:
06
2. CONNECTOR TYPE:
"M" MALE
3. INSULATOR COLOR:
"B" BLACK
4. CONTACT FINISH:
"03" 3 MICROINCH GOLD
"30" 30 MICROINCH GOLD

IEEE1394 6 PIN FEMALE CONNECTOR CABLE SOLDER TYPE



SPECIFICATIONS

Current Rating: 1.0 Amperes
Contact Resistance: 25mΩ Max.
Insulation Resistance: 1000MΩ Min. at 500V
Dielectric Voltage: 1000V at 1 Minute
Operating Temperature: -55°C to +105°C

MATERIALS

Insulator: PBT, UL94V-0 Rated
Contact: Brass
Shell: Brass, Steel
Contact Plating: Selective Gold Over Nickel Plated
Shell Plating: Tin Or Nickel Over Copper Plated
***RoHS & REACH compliant.**

ORDERING INFORMATION:

P/N F W 5 4 - $\frac{0}{1}$ $\frac{6}{2}$ $\frac{F}{3}$ $\frac{B}{4}$ $\frac{x}{x}$

1. NO. OF CONTACTS:
06
2. CONNECTOR TYPE:
"F" FEMALE
3. INSULATOR COLOR:
"B" BLACK
4. CONTACT FINISH:
"03" 3 MICROINCH GOLD
"30" 30 MICROINCH GOLD

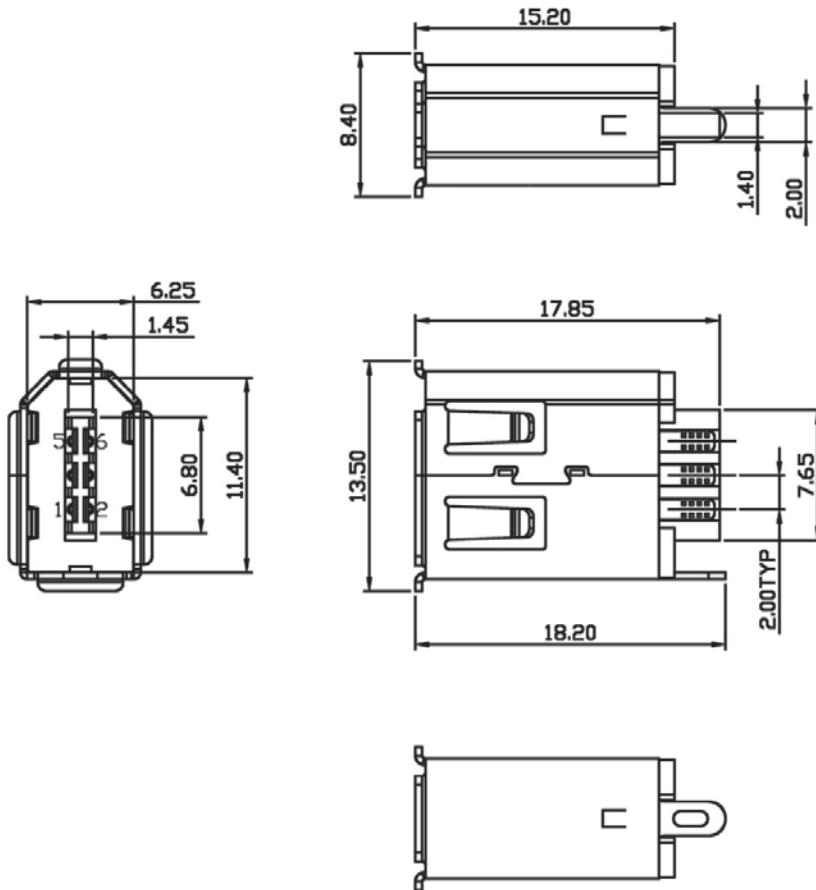
IEEE1394 6 PIN FEMALE CONNECTOR CABLE SOLDER TYPE

SPECIFICATIONS

Current Rating: 1.0 Amperes
Contact Resistance: 25mΩ Max.
Insulation Resistance: 1000MΩ Min. at 500V
Dielectric Voltage: 1000V at 1 Minute
Operating Temperature: -55°C to +105°C

MATERIALS

Insulator: PBT, UL94V-0 Rated
Contact: Brass
Shell: Brass, Steel
Contact Plating: Selective Gold Over Nickel Plated
Shell Plating: Tin Or Nickel Over Copper Plated
***RoHS & REACH compliant.**



ORDERING INFORMATION:

P/N F W 4 8 - $\frac{0}{1}$ $\frac{6}{2}$ $\frac{F}{3}$ $\frac{x}{4}$ $\frac{x}{x}$

1. NO. OF CONTACTS:
06
2. CONNECTOR TYPE:
"F" FEMALE
3. INSULATOR COLOR:
"B" BLACK
"W" WHITE
4. CONTACT FINISH:
"01" GOLD FLASH
"15" 15 MICROINCH GOLD
"30" 30 MICROINCH GOLD