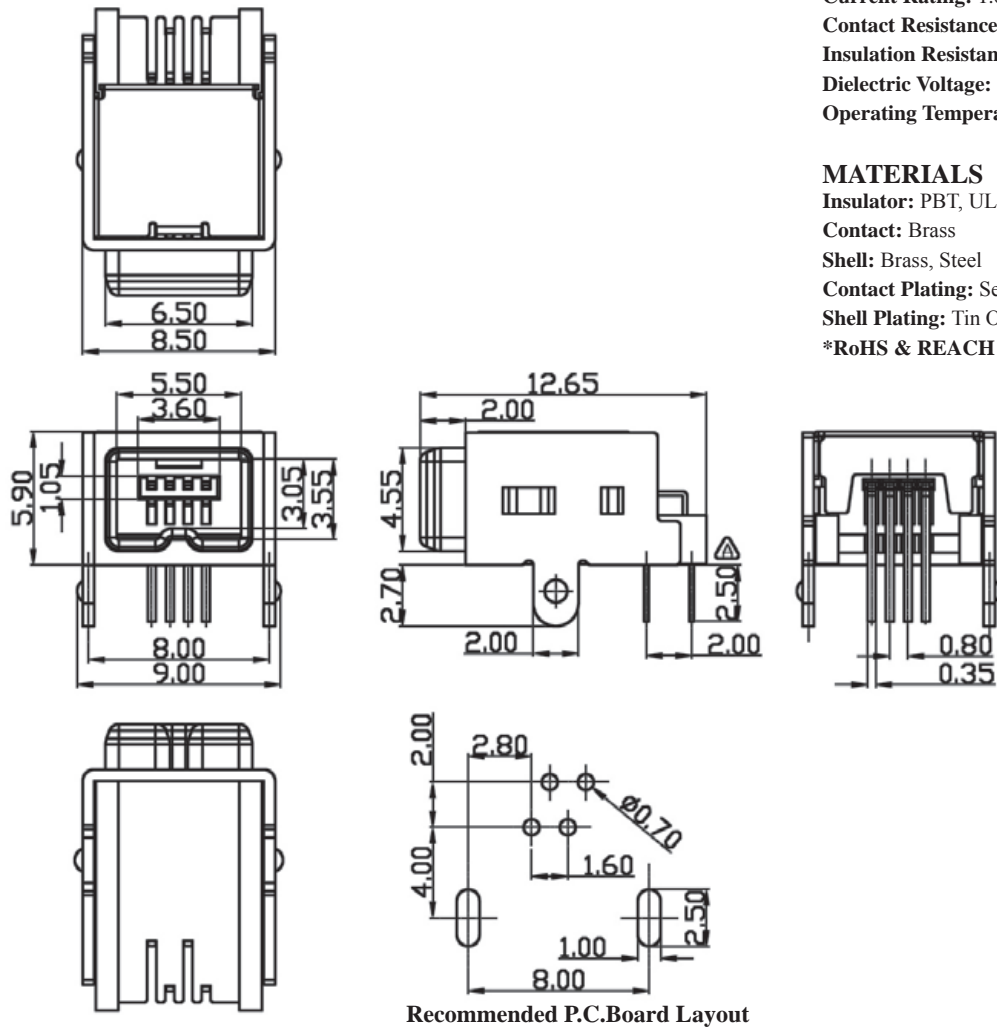


IEEE1394 4 PIN FEMALE CONNECTOR RIGHT ANGLE DIP TYPE



SPECIFICATIONS

Current Rating: 1.0 Amperes
Contact Resistance: 25m Ω Max.
Insulation Resistance: 1000M Ω Min. at 500V
Dielectric Voltage: 1000V at 1 Minute
Operating Temperature: -55 $^{\circ}$ c to +105 $^{\circ}$ c

MATERIALS

Insulator: PBT, UL94V-0 Rated
Contact: Brass
Shell: Brass, Steel
Contact Plating: Selective Gold Over Nickel Plated
Shell Plating: Tin Or Nickel Over Copper Plated
***RoHS & REACH compliant.**

ORDERING INFORMATION:

P/N F W 4 7 - 0 4 F B x x
1 2 3 4

1. NO. OF CONTACTS:
04
2. CONNECTOR TYPE:
"F" FEMALE
3. INSULATOR COLOR:
"B" BLACK
4. CONTACT FINISH:
"01" GOLD FLASH
"15" 15 MICROINCH GOLD
"30" 30 MICROINCH GOLD

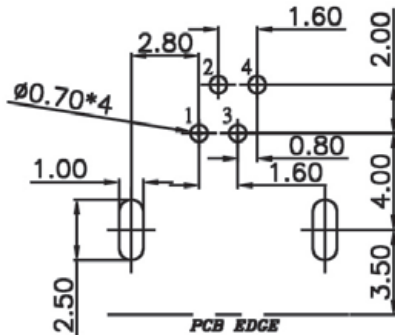
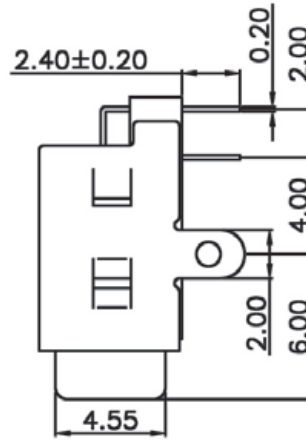
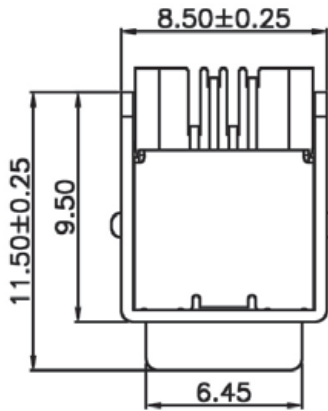
IEEE1394 4 PIN FEMALE CONNECTOR RIGHT ANGLE DIP TYPE

SPECIFICATIONS

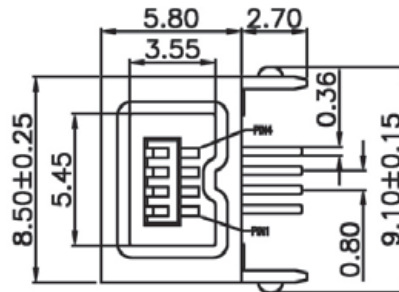
Current Rating: 1.0 Amperes
Contact Resistance: 25mΩ Max.
Insulation Resistance: 1000MΩ Min. at 500V
Dielectric Voltage: 1000V at 1 Minute
Operating Temperature: -55°C to +105°C

MATERIALS

Insulator: PBT, UL94V-0 Rated
Contact: Brass
Shell: Brass, Steel
Contact Plating: Selective Gold Over Nickel Plated
Shell Plating: Tin Or Nickel Over Copper Plated
***RoHS & REACH compliant.**



Recommended P.C.Board Layout

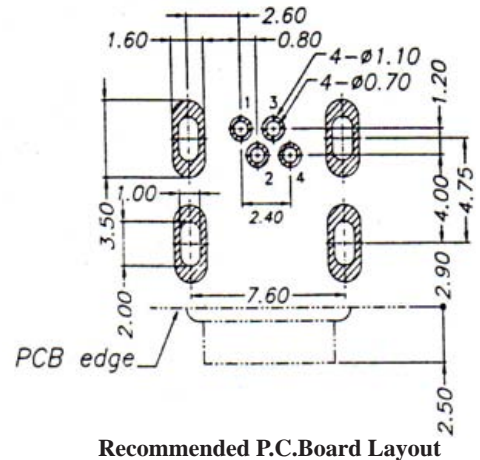
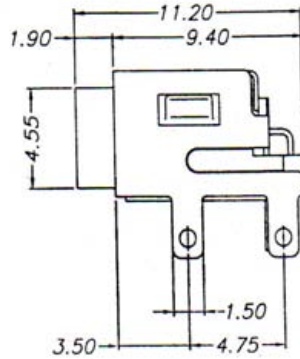
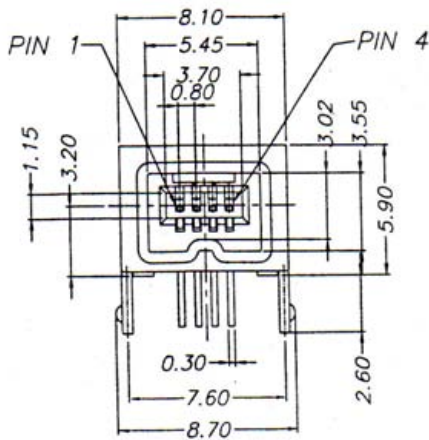
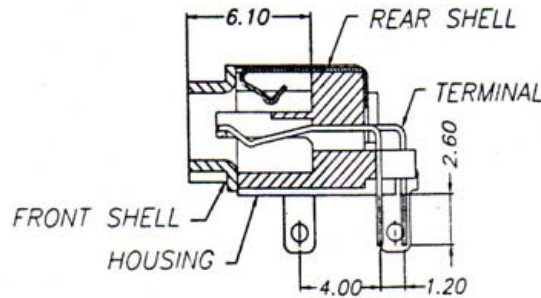
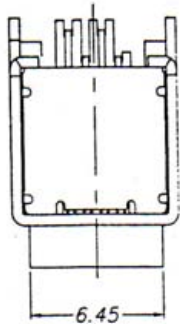


ORDERING INFORMATION:

P/N F W 3 1 - 0 4 F x x x
1 2 3 4

1. NO. OF CONTACTS:
04
2. CONNECTOR TYPE:
"F" FEMALE
3. INSULATOR COLOR:
"B" BLACK
"W" WHITE
4. CONTACT FINISH:
"01" GOLD FLASH
"15" 15 MICROINCH GOLD
"30" 30 MICROINCH GOLD

IEEE1394 4 PIN FEMALE CONNECTOR RIGHT ANGLE DIP TYPE



Recommended P.C.Board Layout

SPECIFICATIONS

Current Rating: 1.0 Amperes
Contact Resistance: 25mΩ Max.
Insulation Resistance: 1000MΩ Min. at 500V
Dielectric Voltage: 1000V at 1 Minute
Operating Temperature: -55°C to +105°C

MATERIALS

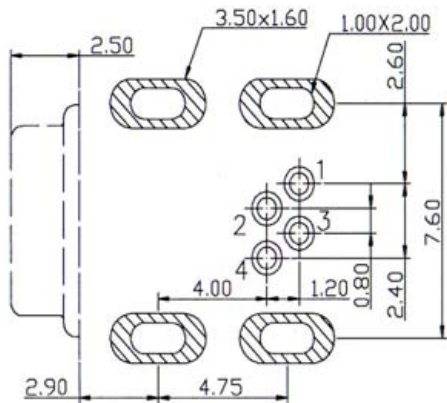
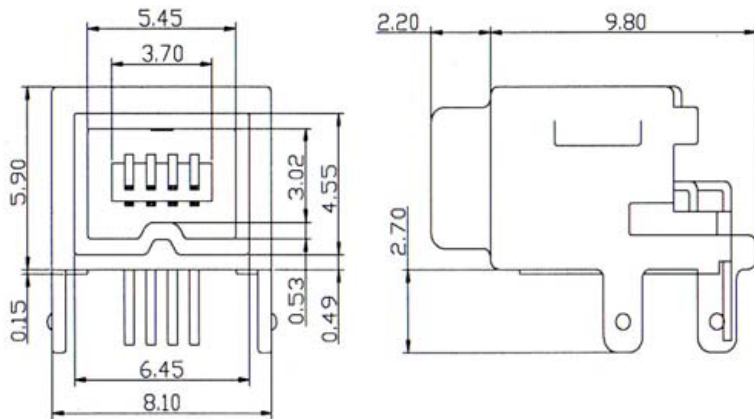
Insulator: PBT, UL94V-0 Rated
Contact: Brass
Shell: Brass, Steel
Contact Plating: Selective Gold Over Nickel Plated
Shell Plating: Tin Or Nickel Over Copper Plated
 *RoHS & REACH compliant.

ORDERING INFORMATION:

P/N F W 3 3 - 0 4 F B 3 0
 1 2 3 4

1. NO. OF CONTACTS:
04
2. CONNECTOR TYPE:
"F" FEMALE
3. INSULATOR COLOR:
"B" BLACK
4. CONTACT FINISH:
"30" 30 MICROINCH GOLD

IEEE1394 4 PIN FEMALE CONNECTOR RIGHT ANGLE DIP TYPE



Recommended P.C.Board Layout
(TOP VIEW)

SPECIFICATIONS

Current Rating: 1.0 Amperes
Contact Resistance: 25mΩ Max.
Insulation Resistance: 1000MΩ Min. at 500V
Dielectric Voltage: 1000V at 1 Minute
Operating Temperature: -55°C to +105°C

MATERIALS

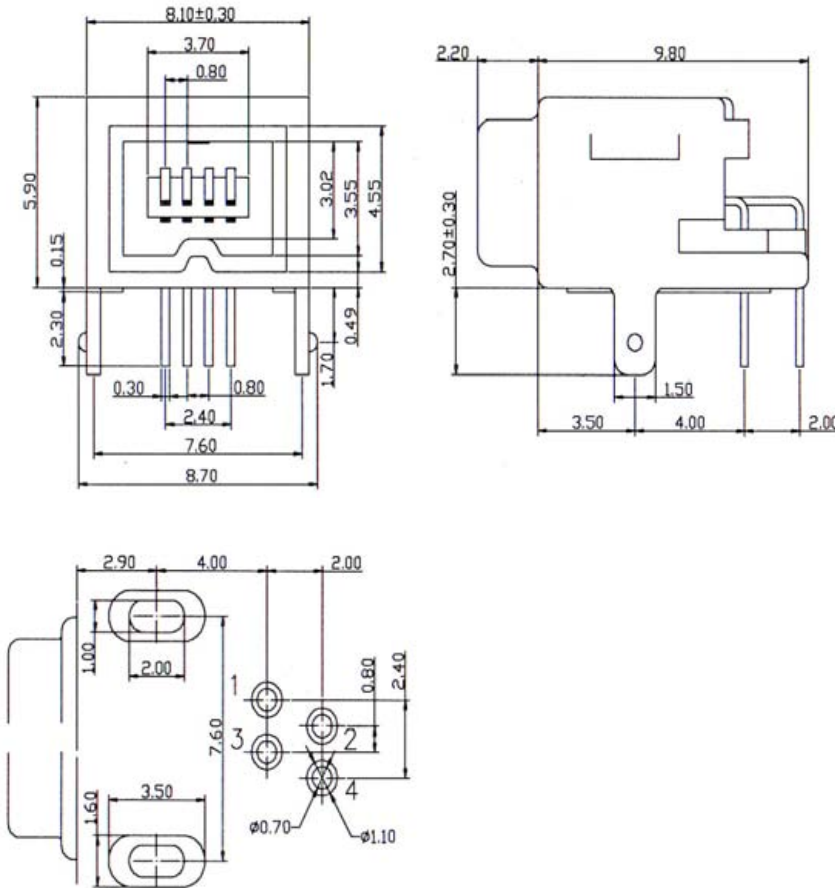
Insulator: PBT, UL94V-0 Rated
Contact: Brass
Shell: Brass, Steel
Contact Plating: Selective Gold Over Nickel Plated
Shell Plating: Tin Or Nickel Over Copper Plated
***RoHS & REACH compliant.**

ORDERING INFORMATION:

P/N F W 7 4 - 0 4 F B 3 0
 1 2 3 4

1. NO. OF CONTACTS:
04
2. CONNECTOR TYPE:
"F" FEMALE
3. INSULATOR COLOR:
"B" BLACK
4. CONTACT FINISH:
"30" 30 MICROINCH GOLD

IEEE1394 4 PIN FEMALE CONNECTOR RIGHT ANGLE DIP TYPE



Recommended P.C.Board Layout
(TOP VIEW)

SPECIFICATIONS

Current Rating: 1.0 Amperes
Contact Resistance: 25mΩ Max.
Insulation Resistance: 1000MΩ Min. at 500V
Dielectric Voltage: 1000V at 1 Minute
Operating Temperature: -55°C to +105°C

MATERIALS

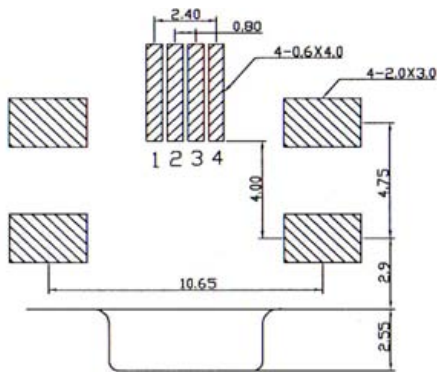
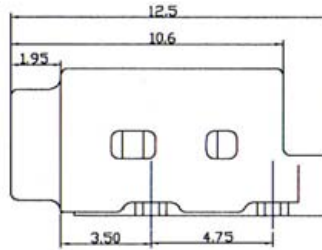
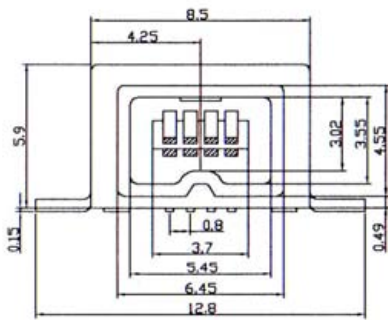
Insulator: PBT, UL94V-0 Rated
Contact: Brass
Shell: Brass, Steel
Contact Plating: Selective Gold Over Nickel Plated
Shell Plating: Tin Or Nickel Over Copper Plated
***RoHS & REACH compliant.**

ORDERING INFORMATION:

P/N F W 7 5 - 0 4 F B 3 0
1 2 3 4

1. NO. OF CONTACTS:
04
2. CONNECTOR TYPE:
"F" FEMALE
3. INSULATOR COLOR:
"B" BLACK
4. CONTACT FINISH:
"30" 30 MICROINCH GOLD

IEEE1394 4 PIN FEMALE CONNECTOR SMT TYPE



Recommended P.C.Board Layout
(TOP VIEW)

SPECIFICATIONS

Current Rating: 1.0 Amperes
Contact Resistance: 25mΩ Max.
Insulation Resistance: 1000MΩ Min. at 500V
Dielectric Voltage: 1000V at 1 Minute
Operating Temperature: -55°C to +105°C

MATERIALS

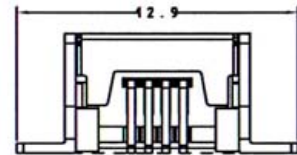
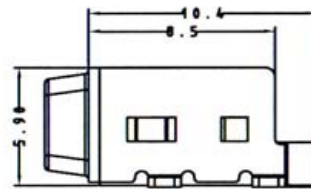
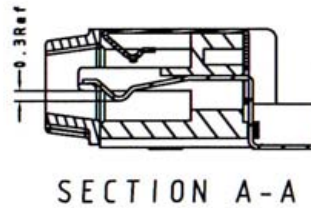
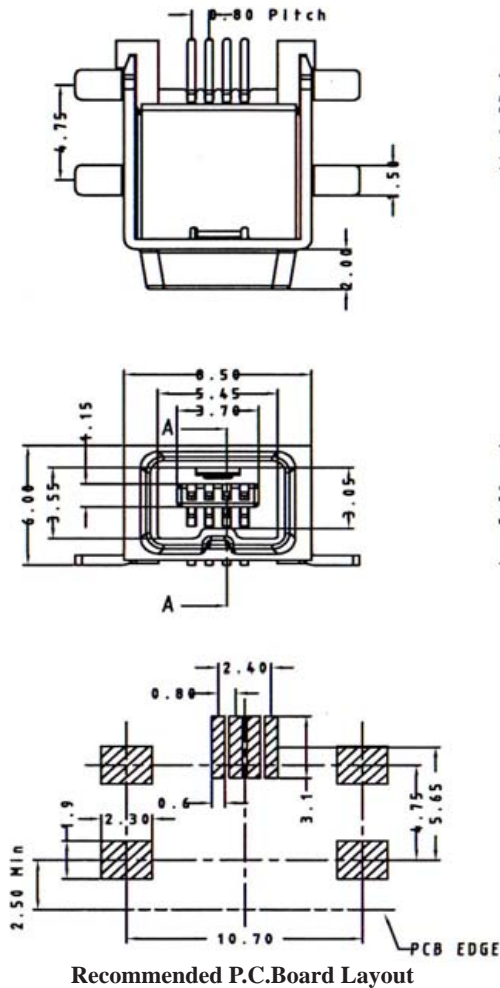
Insulator: PBT, UL94V-0 Rated
Contact: Brass
Shell: Brass, Steel
Contact Plating: Selective Gold Over Nickel Plated
Shell Plating: Tin Or Nickel Over Copper Plated
***RoHS & REACH compliant.**

ORDERING INFORMATION:

P/N F W 9 8 - 0 4 F B 3 0
1 2 3 4

1. NO. OF CONTACTS:
04
2. CONNECTOR TYPE:
"F" FEMALE
3. INSULATOR COLOR:
"B" BLACK
4. CONTACT FINISH:
"30" 30 MICRINCH GOLD

IEEE1394 4 PIN FEMALE CONNECTOR SMT TYPE



SPECIFICATIONS

Current Rating: 1.0 Amperes
Contact Resistance: 25mΩ Max.
Insulation Resistance: 1000MΩ Min. at 500V
Dielectric Voltage: 1000V at 1 Minute
Operating Temperature: -55°C to +105°C

MATERIALS

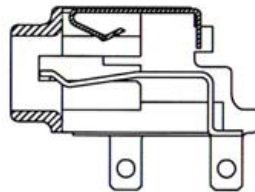
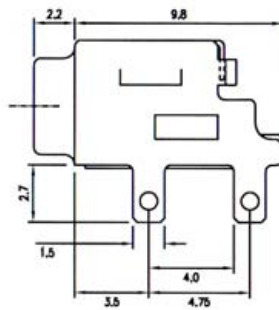
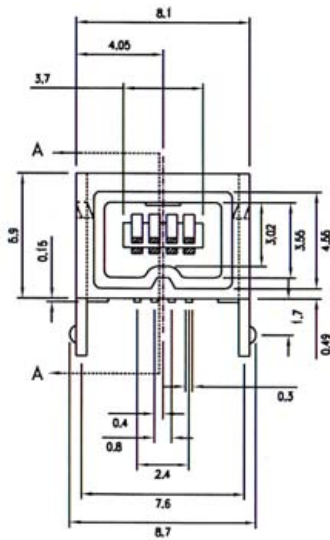
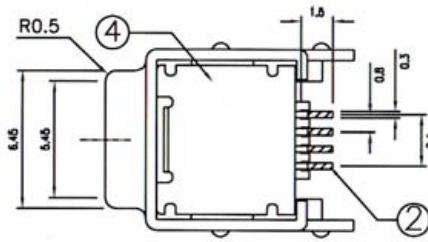
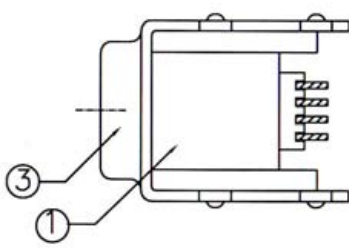
Insulator: PBT, UL94V-0 Rated
Contact: Brass
Shell: Brass, Steel
Contact Plating: Selective Gold Over Nickel Plated
Shell Plating: Tin Or Nickel Over Copper Plated
 *RoHS & REACH compliant.

ORDERING INFORMATION:

P/N FW97-04FB30
 1 2 3 4

1. NO. OF CONTACTS:
04
2. CONNECTOR TYPE:
"F" FEMALE
3. INSULATOR COLOR:
"B" BLACK
4. CONTACT FINISH:
"30" 30 MICROINCH GOLD

IEEE1394 4 PIN FEMALE CONNECTOR SMT TYPE



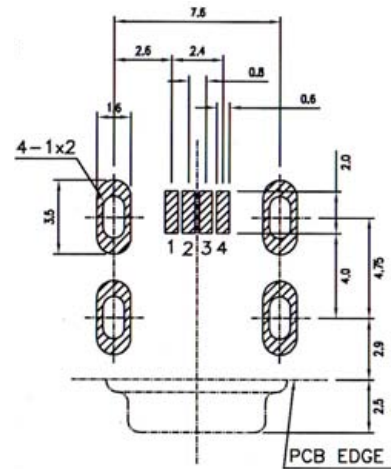
SECTION A-A

SPECIFICATIONS

Current Rating: 1.0 Amperes
Contact Resistance: 25mΩ Max.
Insulation Resistance: 1000MΩ Min. at 500V
Dielectric Voltage: 1000V at 1 Minute
Operating Temperature: -55°C to +105°C

MATERIALS

Insulator: PBT, UL94V-0 Rated
Contact: Brass
Shell: Brass, Steel
Contact Plating: Selective Gold Over Nickel Plated
Shell Plating: Tin Or Nickel Over Copper Plated
 *RoHS & REACH compliant.



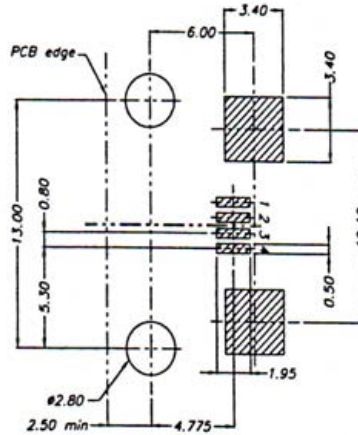
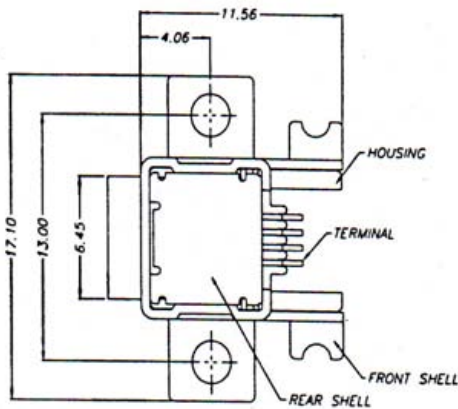
Recommended P.C.Board Layout
(COMPONENT SIDE)

ORDERING INFORMATION:

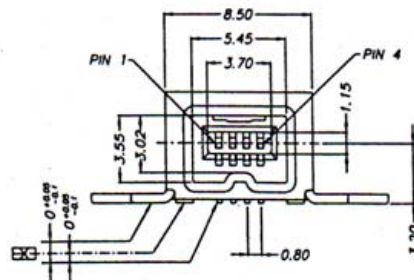
P/N **F W 9 3 - 0 4 F B 3 0**
 1 2 3 4

1. NO. OF CONTACTS:
04
2. CONNECTOR TYPE:
"F" FEMALE
3. INSULATOR COLOR:
"B" BLACK
4. CONTACT FINISH:
"30" 30 MICROINCH GOLD

IEEE1394 4 PIN FEMALE CONNECTOR SMT TYPE WITH FLANGE



Recommended P.C.Board Layout



SPECIFICATIONS

Current Rating: 1.0 Amperes
 Contact Resistance: 25mΩ Max.
 Insulation Resistance: 1000MΩ Min. at 500V
 Dielectric Voltage: 1000V at 1 Minute
 Operating Temperature: -55°C to +105°C

MATERIALS

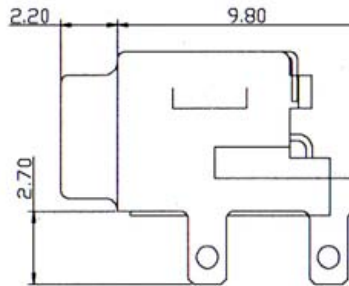
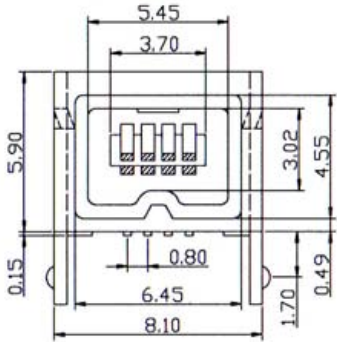
Insulator: PBT, UL94V-0 Rated
 Contact: Brass
 Shell: Brass, Steel
 Contact Plating: Selective Gold Over Nickel Plated
 Shell Plating: Tin Or Nickel Over Copper Plated
 *RoHS & REACH compliant.

ORDERING INFORMATION:

P/N F W 5 5 - $\frac{0}{1}$ $\frac{4}{2}$ $\frac{F}{3}$ $\frac{B}{3}$ $\frac{30}{4}$

1. NO. OF CONTACTS:
04
2. CONNECTOR TYPE:
"F" FEMALE
3. INSULATOR COLOR:
"B" BLACK
4. CONTACT FINISH:
"30" 30 MICRINCH GOLD

IEEE1394 4 PIN FEMALE CONNECTOR SMT TYPE

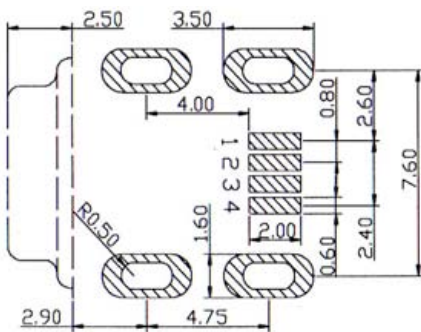


SPECIFICATIONS

Current Rating: 1.0 Amperes
Contact Resistance: 25mΩ Max.
Insulation Resistance: 1000MΩ Min. at 500V
Dielectric Voltage: 1000V at 1 Minute
Operating Temperature: -55°C to +105°C

MATERIALS

Insulator: PBT, UL94V-0 Rated
Contact: Brass
Shell: Brass, Steel
Contact Plating: Selective Gold Over Nickel Plated
Shell Plating: Tin Or Nickel Over Copper Plated
***RoHS & REACH compliant.**



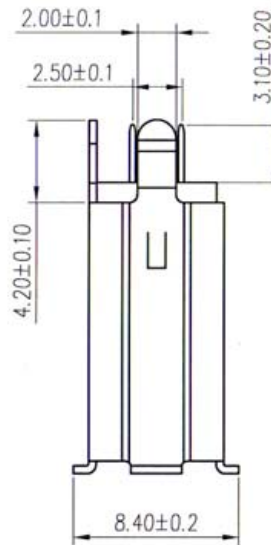
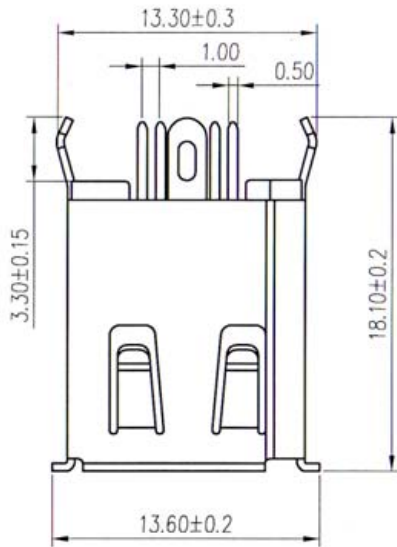
Recommended P.C.Board Layout
(TOP VIEW)

ORDERING INFORMATION:

P/N F W 6 4 - $\frac{0}{1}$ $\frac{4}{2}$ $\frac{F}{3}$ $\frac{B}{4}$ $\frac{30}{4}$

1. NO. OF CONTACTS:
04
2. CONNECTOR TYPE:
"F" FEMALE
3. INSULATOR COLOR:
"B" BLACK
4. CONTACT FINISH:
"30" 30 MICROINCH GOLD

IEEE1394 6 PIN FEMALE CONNECTOR STRAIGHT PCB MOUNT TYPE

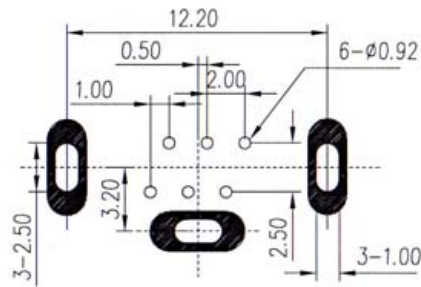
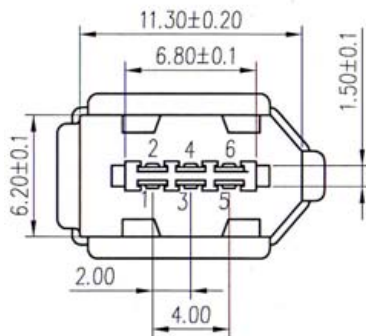


SPECIFICATIONS

Current Rating: 1.0 Amperes
Contact Resistance: 25mΩ Max.
Insulation Resistance: 1000MΩ Min. at 500V
Dielectric Voltage: 1000V at 1 Minute
Operating Temperature: -55°C to +105°C

MATERIALS

Insulator: PBT, UL94V-0 Rated
Contact: Brass
Shell: Brass, Steel
Contact Plating: Selective Gold Over Nickel Plated
Shell Plating: Tin Or Nickel Over Copper Plated
***RoHS & REACH compliant.**



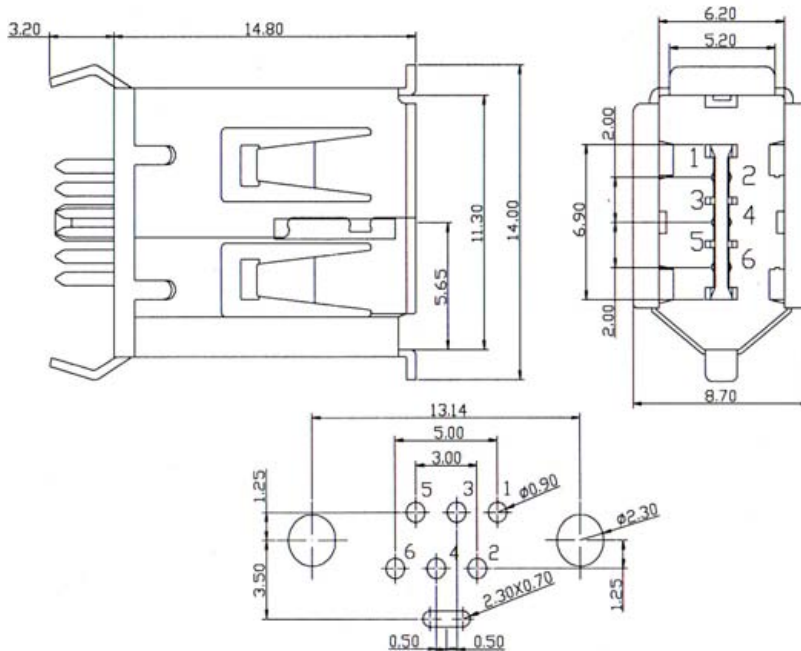
Recommended P.C.Board Layout

ORDERING INFORMATION:

P/N F W 6 2 - $\frac{0}{1}$ $\frac{6}{2}$ $\frac{F}{3}$ $\frac{B}{4}$ x x

1. NO. OF CONTACTS:
06
2. CONNECTOR TYPE:
"F" FEMALE
3. INSULATOR COLOR:
"B" BLACK
4. CONTACT FINISH:
"03" 3 MICROINCH GOLD
"30" 30 MICROINCH GOLD

IEEE1394 6 PIN FEMALE CONNECTOR STRAIGHT PCB MOUNT TYPE



Recommended P.C.Board Layout

SPECIFICATIONS

Current Rating: 1.0 Amperes
Contact Resistance: 25mΩ Max.
Insulation Resistance: 1000MΩ Min. at 500V
Dielectric Voltage: 1000V at 1 Minute
Operating Temperature: -55°C to +105°C

MATERIALS

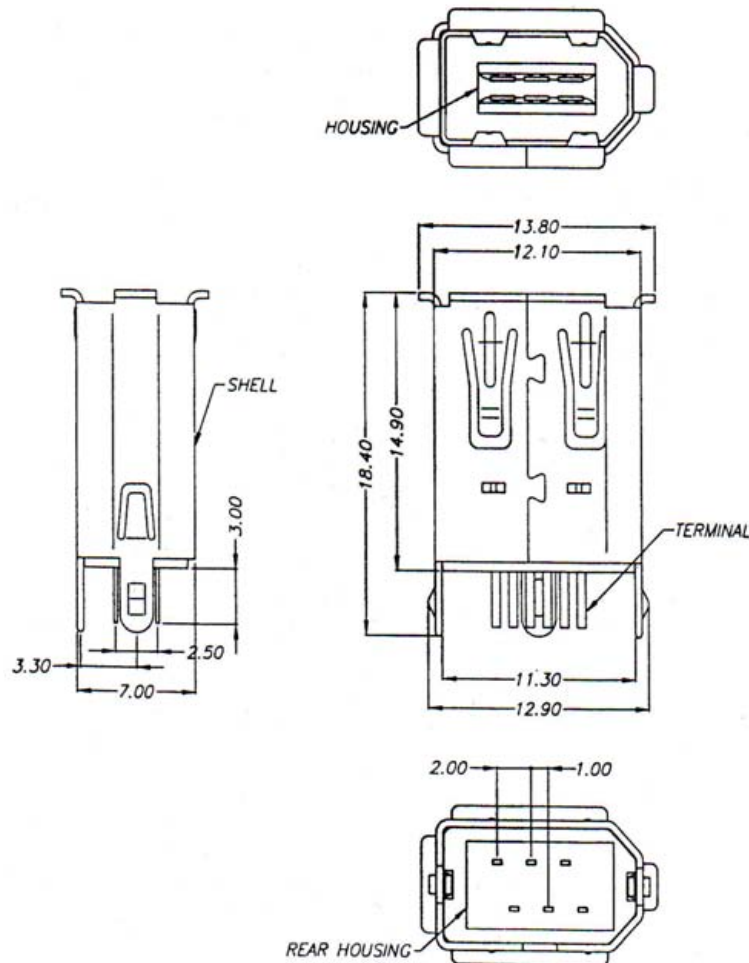
Insulator: PBT, UL94V-0 Rated
Contact: Brass
Shell: Brass, Steel
Contact Plating: Selective Gold Over Nickel Plated
Shell Plating: Tin Or Nickel Over Copper Plated
***RoHS & REACH compliant.**

ORDERING INFORMATION:

P/N F W 6 3 - $\frac{0}{1}$ $\frac{6}{2}$ $\frac{F}{3}$ $\frac{B}{4}$ $\frac{30}{4}$

1. NO. OF CONTACTS:
06
2. CONNECTOR TYPE:
"F" FEMALE
3. INSULATOR COLOR:
"B" BLACK
4. CONTACT FINISH:
"30" 30 MICROINCH GOLD

IEEE1394 6 PIN FEMALE CONNECTOR STRAIGHT PCB MOUNT TYPE

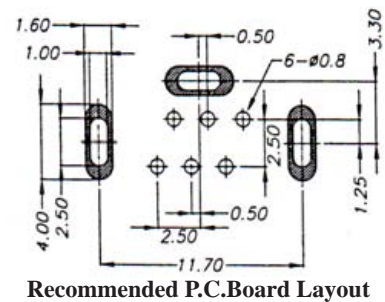


SPECIFICATIONS

Current Rating: 1.0 Amperes
Contact Resistance: 25mΩ Max.
Insulation Resistance: 1000MΩ Min. at 500V
Dielectric Voltage: 1000V at 1 Minute
Operating Temperature: -55°C to +105°C

MATERIALS

Insulator: PBT, UL94V-0 Rated
Contact: Brass
Shell: Brass, Steel
Contact Plating: Selective Gold Over Nickel Plated
Shell Plating: Tin Or Nickel Over Copper Plated
***RoHS & REACH compliant.**



ORDERING INFORMATION:

P/N F W 1 3 - $\frac{0}{1}$ $\frac{6}{2}$ $\frac{F}{3}$ $\frac{B}{4}$ $\frac{30}{4}$

1. NO. OF CONTACTS:
06
2. CONNECTOR TYPE:
"F" FEMALE
3. INSULATOR COLOR:
"B" BLACK
4. CONTACT FINISH:
"30" 30 MICROINCH GOLD

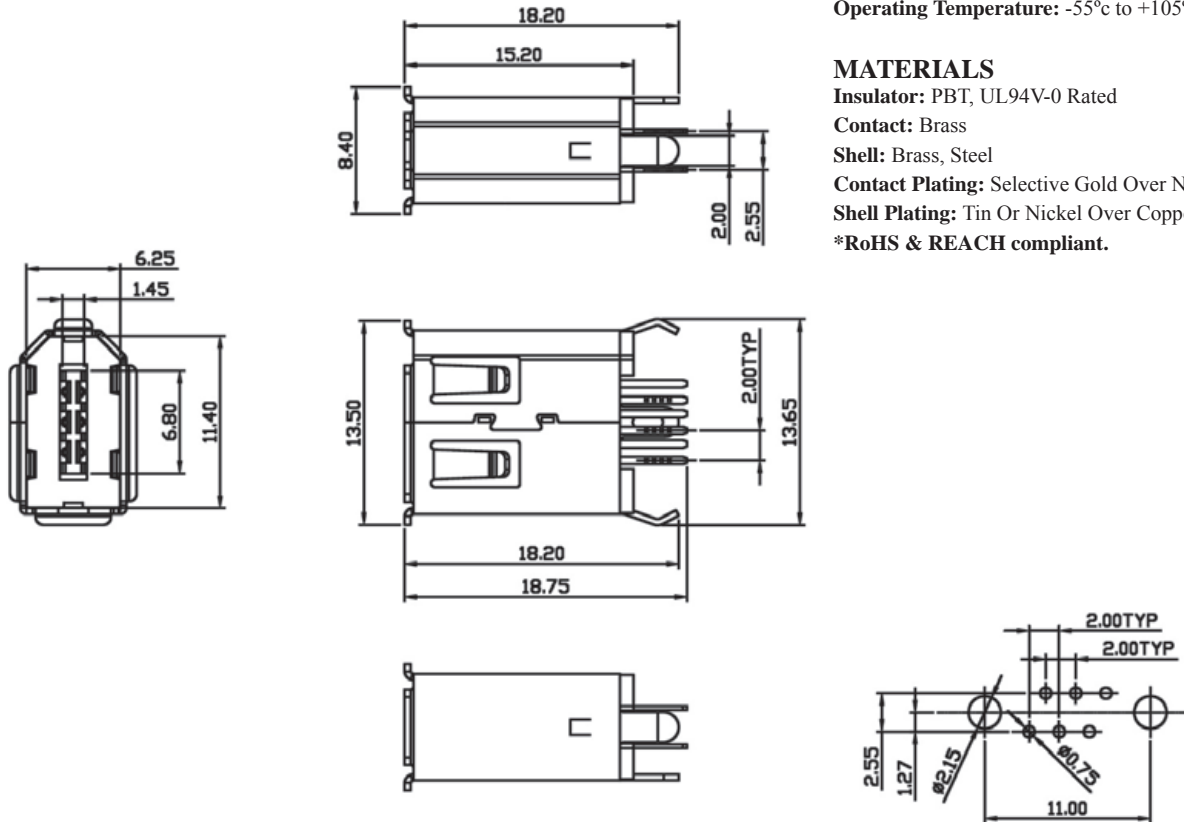
IEEE1394 6 PIN FEMALE CONNECTOR STRAIGHT DIP TYPE

SPECIFICATIONS

Current Rating: 1.0 Amperes
Contact Resistance: 25mΩ Max.
Insulation Resistance: 1000MΩ Min. at 500V
Dielectric Voltage: 1000V at 1 Minute
Operating Temperature: -55°C to +105°C

MATERIALS

Insulator: PBT, UL94V-0 Rated
Contact: Brass
Shell: Brass, Steel
Contact Plating: Selective Gold Over Nickel Plated
Shell Plating: Tin Or Nickel Over Copper Plated
***RoHS & REACH compliant.**



Recommended P.C.Board Layout

ORDERING INFORMATION:

P/N F W 2 7 - $\frac{0.6}{1}$ $\frac{F}{2}$ $\frac{x}{3}$ $\frac{x}{4}$

1. NO. OF CONTACTS:
06
2. CONNECTOR TYPE:
"F" FEMALE
3. INSULATOR COLOR:
"B" BLACK
"W" WHITE
4. CONTACT FINISH:
"01" GOLD FLASH
"15" 15 MICROINCH GOLD
"30" 30 MICROINCH GOLD

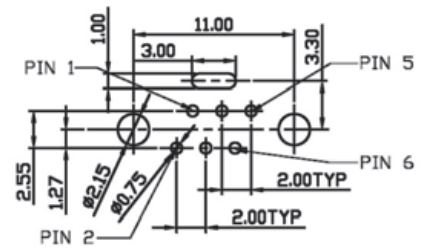
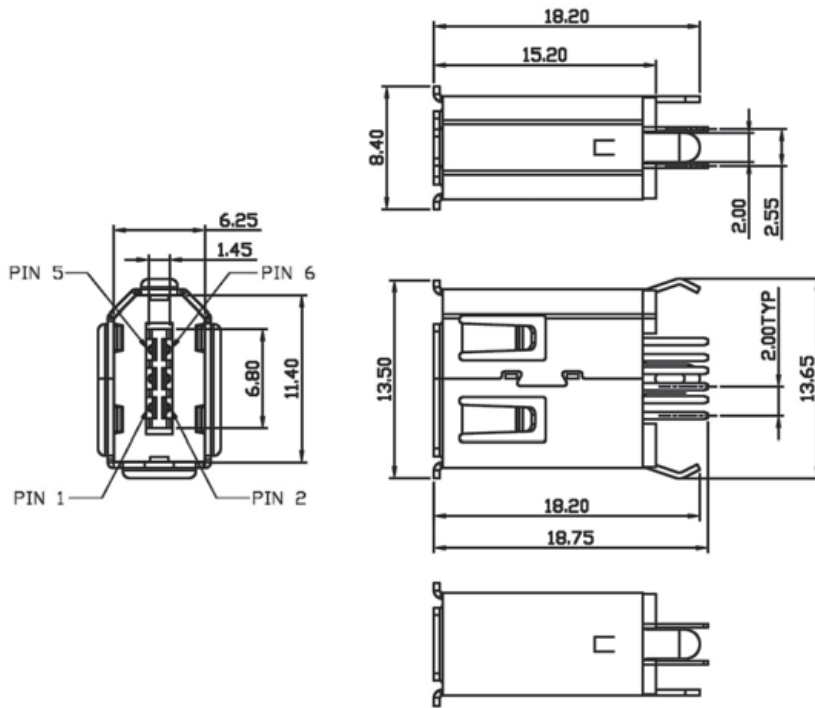
IEEE1394 6 PIN FEMALE CONNECTOR STRAIGHT DIP TYPE

SPECIFICATIONS

Current Rating: 1.0 Amperes
Contact Resistance: 25mΩ Max.
Insulation Resistance: 1000MΩ Min. at 500V
Dielectric Voltage: 1000V at 1 Minute
Operating Temperature: -55°C to +105°C

MATERIALS

Insulator: PBT, UL94V-0 Rated
Contact: Brass
Shell: Brass, Steel
Contact Plating: Selective Gold Over Nickel Plated
Shell Plating: Tin Or Nickel Over Copper Plated
***RoHS & REACH compliant.**



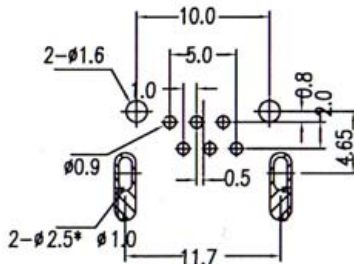
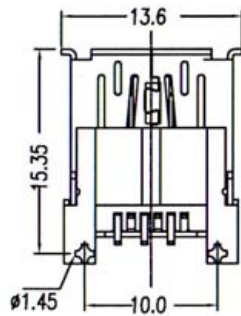
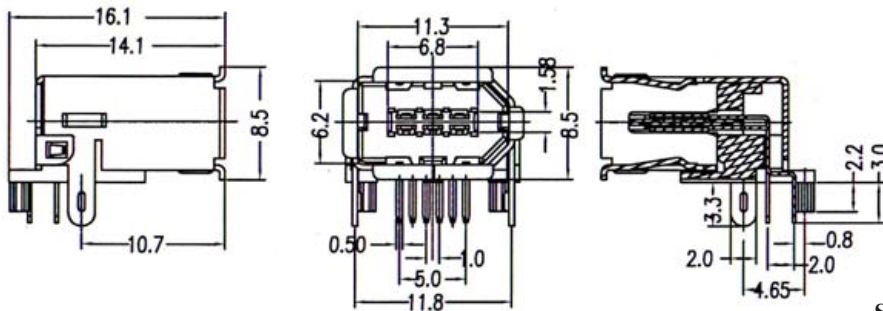
Recommended P.C.Board Layout

ORDERING INFORMATION:

P/N F W 2 8 - $\frac{0}{1}$ $\frac{6}{2}$ $\frac{F}{3}$ $\frac{x}{4}$ $\frac{x}{x}$ $\frac{x}{x}$

1. NO. OF CONTACTS:
06
2. CONNECTOR TYPE:
"F" FEMALE
3. INSULATOR COLOR:
"B" BLACK
"W" WHITE
4. CONTACT FINISH:
"01" GOLD FLASH
"15" 15 MICROINCH GOLD
"30" 30 MICROINCH GOLD

IEEE1394 6 PIN FEMALE CONNECTOR RIGHT ANGLE DIP TYPE



Recommended P.C.Board Layout

SPECIFICATIONS

- Current Rating: 1.0 Amperes
- Contact Resistance: 25m Ω Max.
- Insulation Resistance: 1000M Ω Min. at 500V
- Dielectric Voltage: 1000V at 1 Minute
- Operating Temperature: -55 $^{\circ}$ c to +105 $^{\circ}$ c

MATERIALS

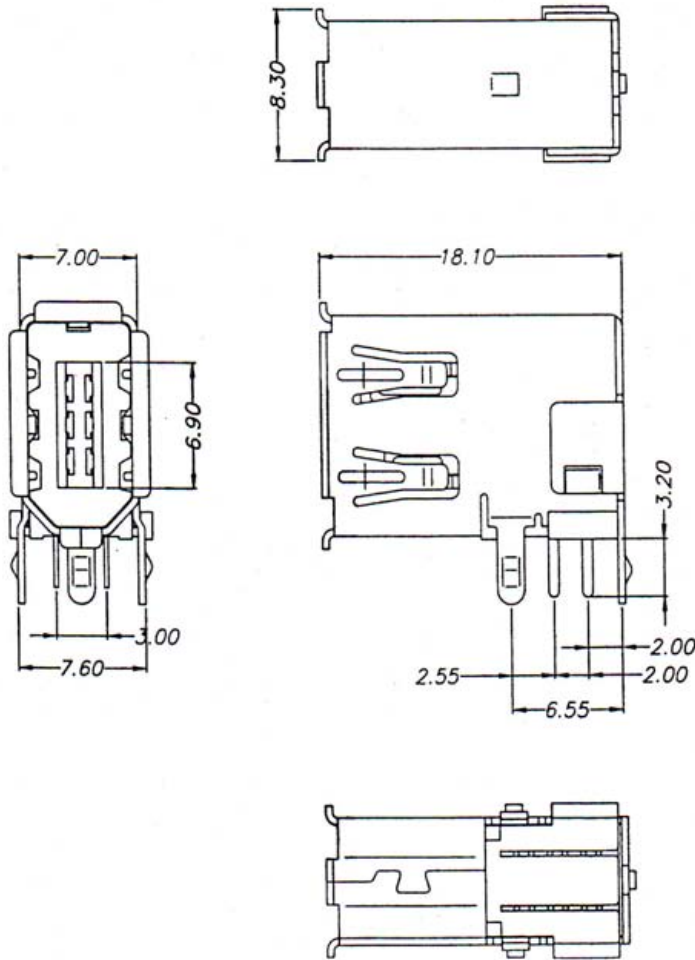
- Insulator: PBT, UL94V-0 Rated
- Contact: Brass
- Shell: Brass, Steel
- Contact Plating: Selective Gold Over Nickel Plated
- Shell Plating: Tin Or Nickel Over Copper Plated
- *RoHS & REACH compliant.

ORDERING INFORMATION:

P/N F W 2 5 - $\frac{0}{1}$ $\frac{6}{2}$ $\frac{F}{3}$ $\frac{B}{4}$ $\frac{30}{4}$

1. NO. OF CONTACTS:
06
2. CONNECTOR TYPE:
"F" FEMALE
3. INSULATOR COLOR:
"B" BLACK
4. CONTACT FINISH:
"30" 30 MICROINCH GOLD

IEEE1394 6 PIN FEMALE CONNECTOR UP RIGHT ANGLE DIP TYPE

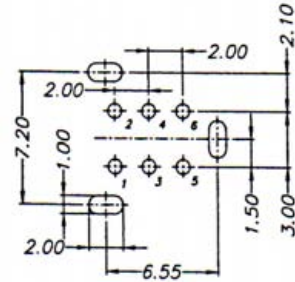


SPECIFICATIONS

Current Rating: 1.0 Amperes
Contact Resistance: 25mΩ Max.
Insulation Resistance: 1000MΩ Min. at 500V
Dielectric Voltage: 1000V at 1 Minute
Operating Temperature: -55°C to +105°C

MATERIALS

Insulator: PBT, UL94V-0 Rated
Contact: Brass
Shell: Brass, Steel
Contact Plating: Selective Gold Over Nickel Plated
Shell Plating: Tin Or Nickel Over Copper Plated
***RoHS & REACH compliant.**



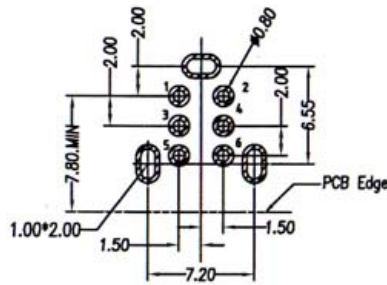
Recommended P.C.Board Layout

ORDERING INFORMATION:

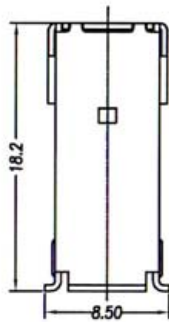
P/N F W 3 0 - $\frac{0}{1}$ $\frac{6}{2}$ $\frac{F}{3}$ $\frac{B}{4}$ $\frac{30}{4}$

1. NO. OF CONTACTS:
06
2. CONNECTOR TYPE:
"F" FEMALE
3. INSULATOR COLOR:
"B" BLACK
4. CONTACT FINISH:
"30" 30 MICROINCH GOLD

IEEE1394 6 PIN FEMALE CONNECTOR UP RIGHT ANGLE DIP TYPE W/O SPRINGY GROUND



Recommended P.C.Board Layout

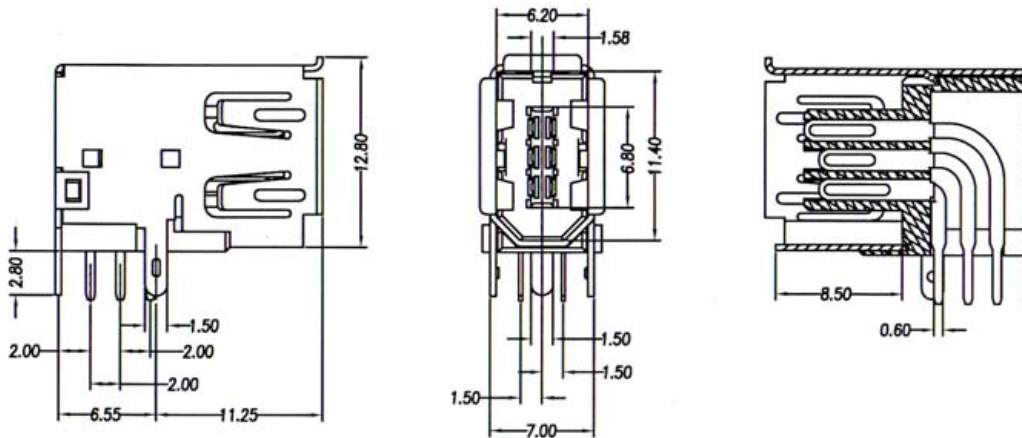


SPECIFICATIONS

Current Rating: 1.0 Amperes
Contact Resistance: 25mΩ Max.
Insulation Resistance: 1000MΩ Min. at 500V
Dielectric Voltage: 1000V at 1 Minute
Operating Temperature: -55°C to +105°C

MATERIALS

Insulator: PBT, UL94V-0 Rated
Contact: Brass
Shell: Brass, Steel
Contact Plating: Selective Gold Over Nickel Plated
Shell Plating: Tin Or Nickel Over Copper Plated
 *RoHS & REACH compliant.

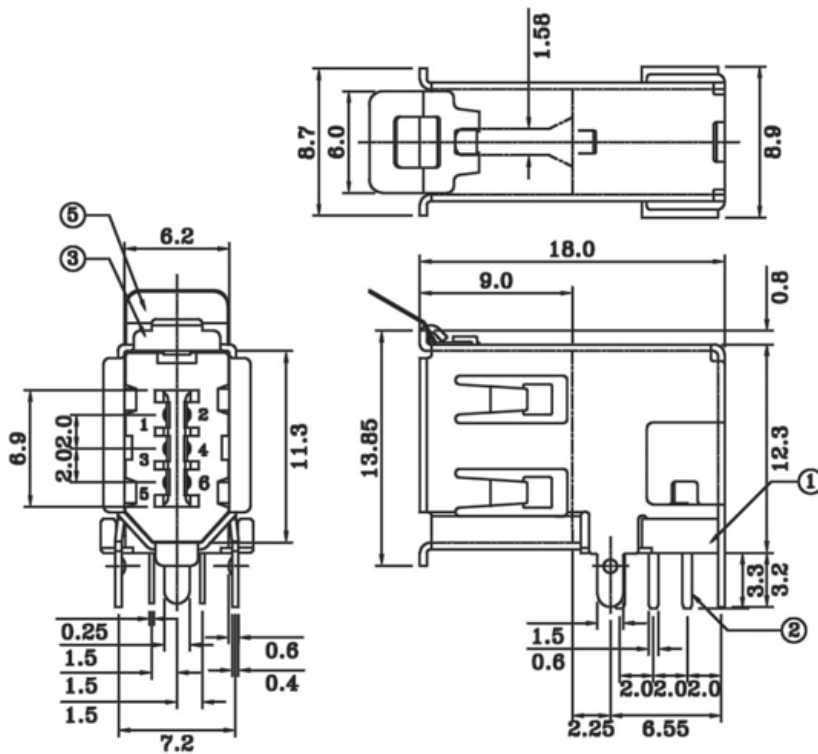


ORDERING INFORMATION:

P/N F W 4 3 - $\frac{0}{1}$ $\frac{6}{2}$ $\frac{F}{3}$ $\frac{B}{4}$ $\frac{30}{4}$

1. NO. OF CONTACTS:
06
2. CONNECTOR TYPE:
"F" FEMALE
3. INSULATOR COLOR:
"B" BLACK
4. CONTACT FINISH:
"30" 30 MICROINCH GOLD

IEEE1394 6 PIN FEMALE CONNECTOR UP RIGHT ANGLE DIP TYPE WITH SPRINGY GROUND

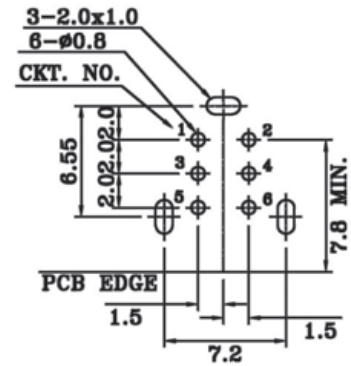


SPECIFICATIONS

Current Rating: 1.0 Amperes
Contact Resistance: 25mΩ Max.
Insulation Resistance: 1000MΩ Min. at 500V
Dielectric Voltage: 1000V at 1 Minute
Operating Temperature: -55°C to +105°C

MATERIALS

Insulator: PBT, UL94V-0 Rated
Contact: Brass
Shell: Brass, Steel
Contact Plating: Selective Gold Over Nickel Plated
Shell Plating: Tin Or Nickel Over Copper Plated
 *RoHS & REACH compliant.



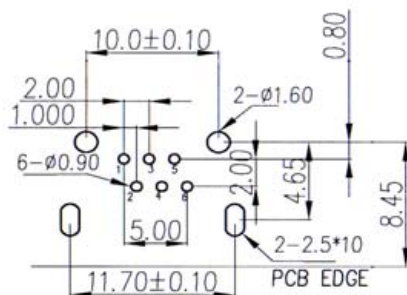
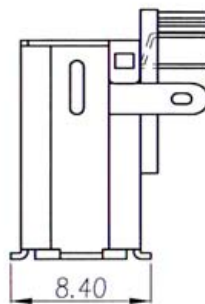
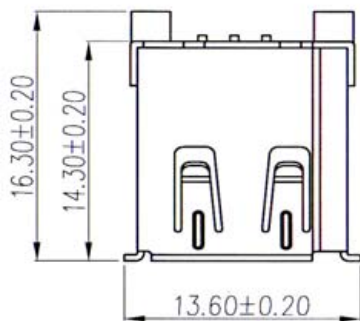
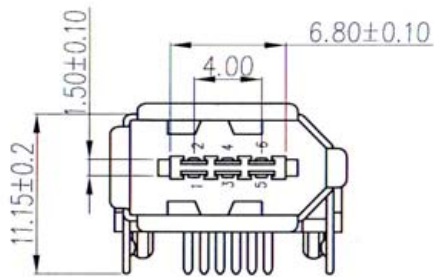
Recommended P.C. Board Layout
(Component Side View)

ORDERING INFORMATION:

P/N F W 4 4 - $\frac{0}{1}$ $\frac{6}{2}$ $\frac{F}{3}$ $\frac{B}{4}$ $\frac{3}{4}$ 0

1. NO. OF CONTACTS:
06
2. CONNECTOR TYPE:
"F" FEMALE
3. INSULATOR COLOR:
"B" BLACK
4. CONTACT FINISH:
"30" 30 MICROINCH GOLD

IEEE1394 6 PIN FEMALE CONNECTOR RIGHT ANGLE DIP TYPE



Recommended P.C.Board Layout

SPECIFICATIONS

Current Rating: 1.0 Amperes
Contact Resistance: 25mΩ Max.
Insulation Resistance: 1000MΩ Min. at 500V
Dielectric Voltage: 1000V at 1 Minute
Operating Temperature: -55°C to +105°C

MATERIALS

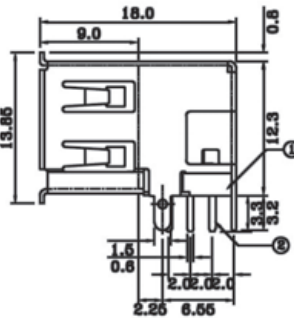
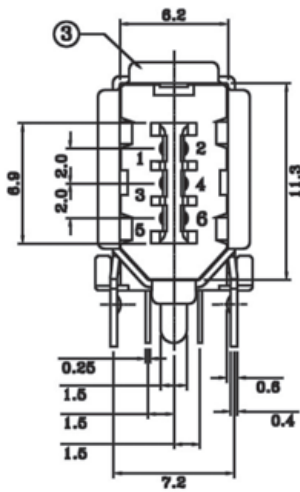
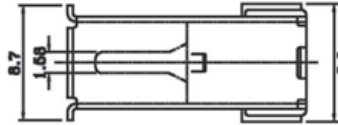
Insulator: PBT, UL94V-0 Rated
Contact: Brass
Shell: Brass, Steel
Contact Plating: Selective Gold Over Nickel Plated
Shell Plating: Tin Or Nickel Over Copper Plated
***RoHS & REACH compliant.**

ORDERING INFORMATION:

P/N F W 7 2 - $\frac{0.6}{1}$ $\frac{F}{2}$ $\frac{B}{3}$ $\frac{x}{4}$ x

1. NO. OF CONTACTS:
06
2. CONNECTOR TYPE:
"F" FEMALE
3. INSULATOR COLOR:
"B" BLACK
4. CONTACT FINISH:
"03" 3 MICROINCH GOLD
"30" 30 MICROINCH GOLD

IEEE1394 6 PIN FEMALE CONNECTOR RIGHT ANGLE DIP TYPE

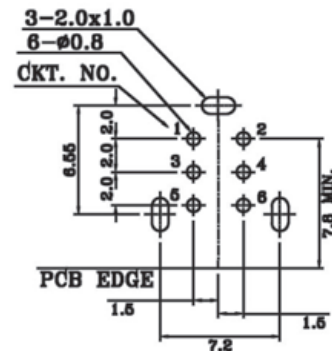


SPECIFICATIONS

- Current Rating: 1.0 Amperes
- Contact Resistance: 25mΩ Max.
- Insulation Resistance: 1000MΩ Min. at 500V
- Dielectric Voltage: 1000V at 1 Minute
- Operating Temperature: -55°C to +105°C

MATERIALS

- Insulator: PBT, UL94V-0 Rated
- Contact: Brass
- Shell: Brass, Steel
- Contact Plating: Selective Gold Over Nickel Plated
- Shell Plating: Tin Or Nickel Over Copper Plated
- *RoHS & REACH compliant.



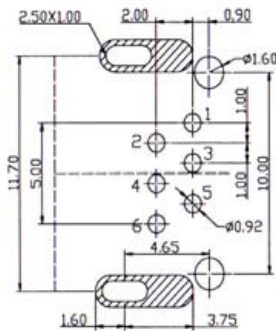
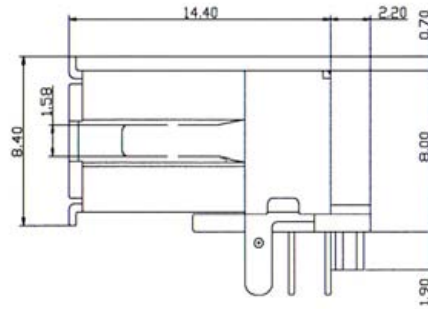
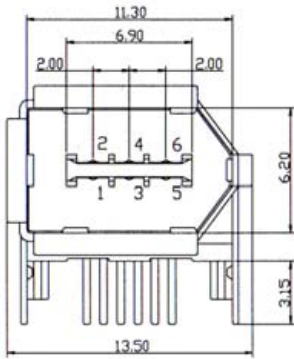
Recommended P.C.Board Layout
(Component Side View)

ORDERING INFORMATION:

P/N F W 7 3 - 0 6 F B x x
1 2 3 4

1. NO. OF CONTACTS:
06
2. CONNECTOR TYPE:
"F" FEMALE
3. INSULATOR COLOR:
"B" BLACK
4. CONTACT FINISH:
"03" 3 MICROINCH GOLD
"30" 30 MICROINCH GOLD

IEEE1394 6 PIN FEMALE CONNECTOR RIGHT ANGLE DIP TYPE



Recommended P.C.Board Layout
(TOP VIEW)

SPECIFICATIONS

Current Rating: 1.0 Amperes
Contact Resistance: 25mΩ Max.
Insulation Resistance: 1000MΩ Min. at 500V
Dielectric Voltage: 1000V at 1 Minute
Operating Temperature: -55°C to +105°C

MATERIALS

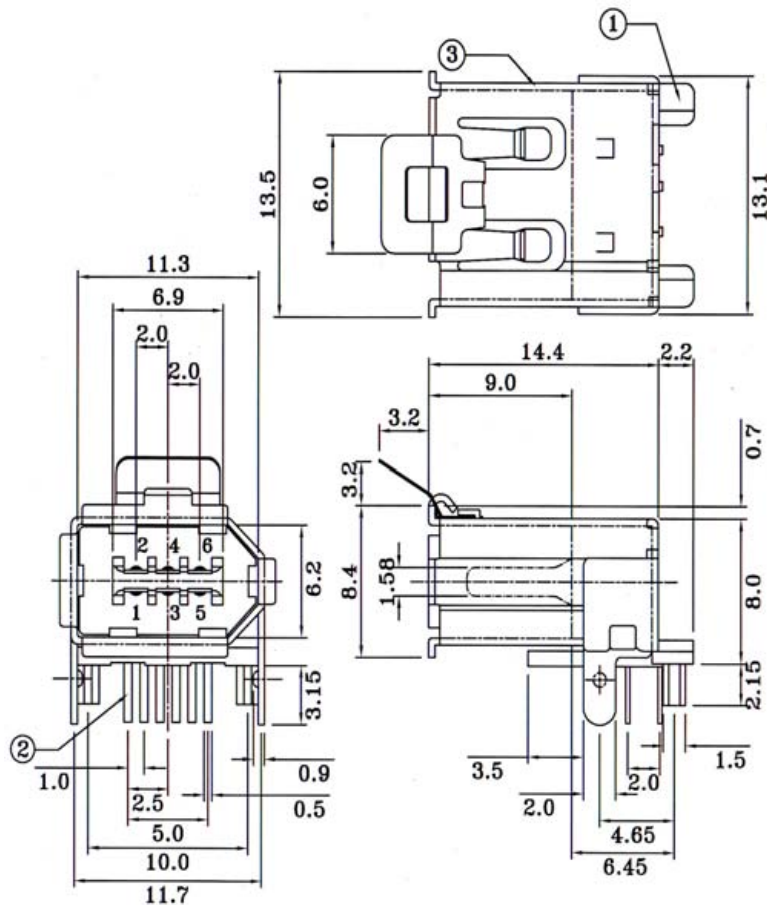
Insulator: PBT, UL94V-0 Rated
Contact: Brass
Shell: Brass, Steel
Contact Plating: Selective Gold Over Nickel Plated
Shell Plating: Tin Or Nickel Over Copper Plated
***RoHS & REACH compliant.**

ORDERING INFORMATION:

P/N F W 7 6 - 0 6 F B 3 0
1 2 3 4

1. NO. OF CONTACTS:
06
2. CONNECTOR TYPE:
"F" FEMALE
3. INSULATOR COLOR:
"B" BLACK
4. CONTACT FINISH:
"30" 30 MICROINCH GOLD

IEEE1394 6 PIN FEMALE CONNECTOR RIGHT ANGLE TYPE

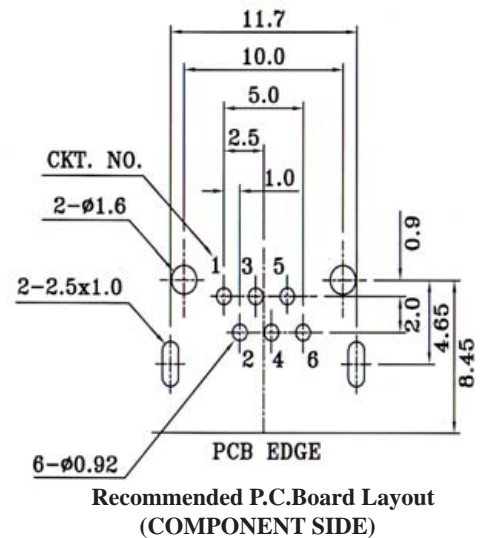


SPECIFICATIONS

Current Rating: 1.0 Amperes
Contact Resistance: 25mΩ Max.
Insulation Resistance: 1000MΩ Min. at 500V
Dielectric Voltage: 1000V at 1 Minute
Operating Temperature: -55°C to +105°C

MATERIALS

Insulator: PBT, UL94V-0 Rated
Contact: Brass
Shell: Brass, Steel
Contact Plating: Selective Gold Over Nickel Plated
Shell Plating: Tin Or Nickel Over Copper Plated
***RoHS & REACH compliant.**



ORDERING INFORMATION:

P/N F W 7 7 - 0 6 F B 3 0
1 2 3 4

1. NO. OF CONTACTS:
06
2. CONNECTOR TYPE:
"F" FEMALE
3. INSULATOR COLOR:
"B" BLACK
4. CONTACT FINISH:
"30" 30 MICROINCH GOLD

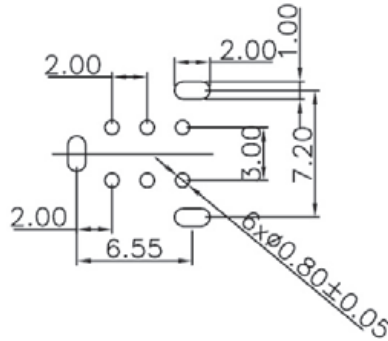
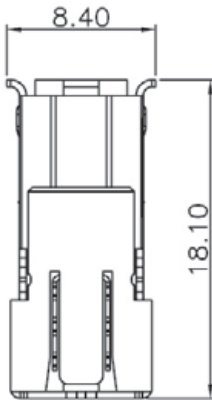
IEEE1394 6 PIN FEMALE CONNECTOR RIGHT ANGLE DIP TYPE

SPECIFICATIONS

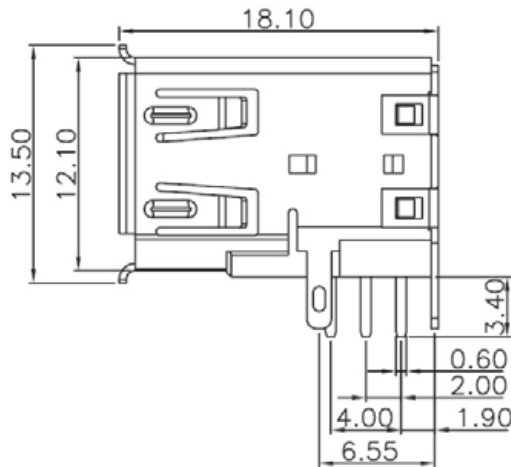
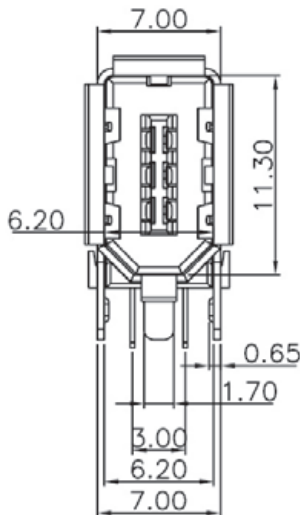
Current Rating: 1.0 Amperes
Contact Resistance: 25mΩ Max.
Insulation Resistance: 1000MΩ Min. at 500V
Dielectric Voltage: 1000V at 1 Minute
Operating Temperature: -55°C to +105°C

MATERIALS

Insulator: PBT, UL94V-0 Rated
Contact: Brass
Shell: Brass, Steel
Contact Plating: Selective Gold Over Nickel Plated
Shell Plating: Tin Or Nickel Over Copper Plated
***RoHS & REACH compliant.**



Recommended P.C.Board Layout

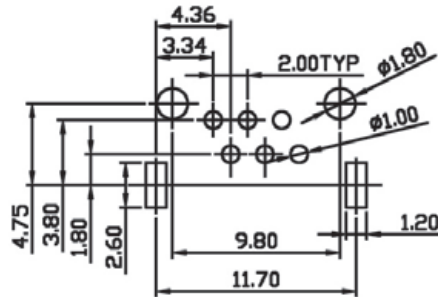
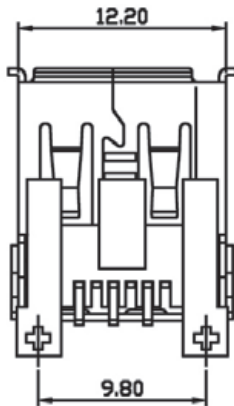


ORDERING INFORMATION:

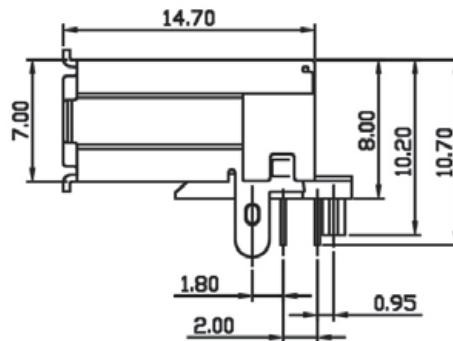
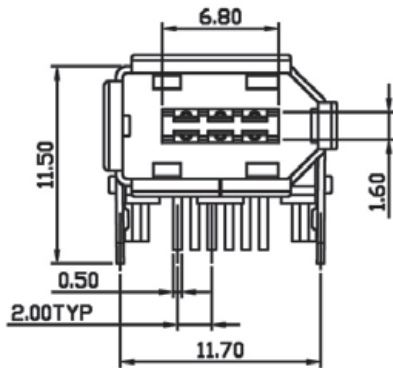
P/N F W 2 9 - 0 6 F B x x
1 2 3 4

1. NO. OF CONTACTS:
06
2. CONNECTOR TYPE:
"F" FEMALE
3. INSULATOR COLOR:
"B" BLACK
4. CONTACT FINISH:
"01" GOLD FLASH
"15" 15 MICROINCH GOLD
"30" 30 MICROINCH GOLD

IEEE1394 6 PIN FEMALE CONNECTOR RIGHT ANGLE DIP TYPE



Recommended P.C.Board Layout



SPECIFICATIONS

Current Rating: 1.0 Amperes
Contact Resistance: 25m Ω Max.
Insulation Resistance: 1000M Ω Min. at 500V
Dielectric Voltage: 1000V at 1 Minute
Operating Temperature: -55 $^{\circ}$ c to +105 $^{\circ}$ c

MATERIALS

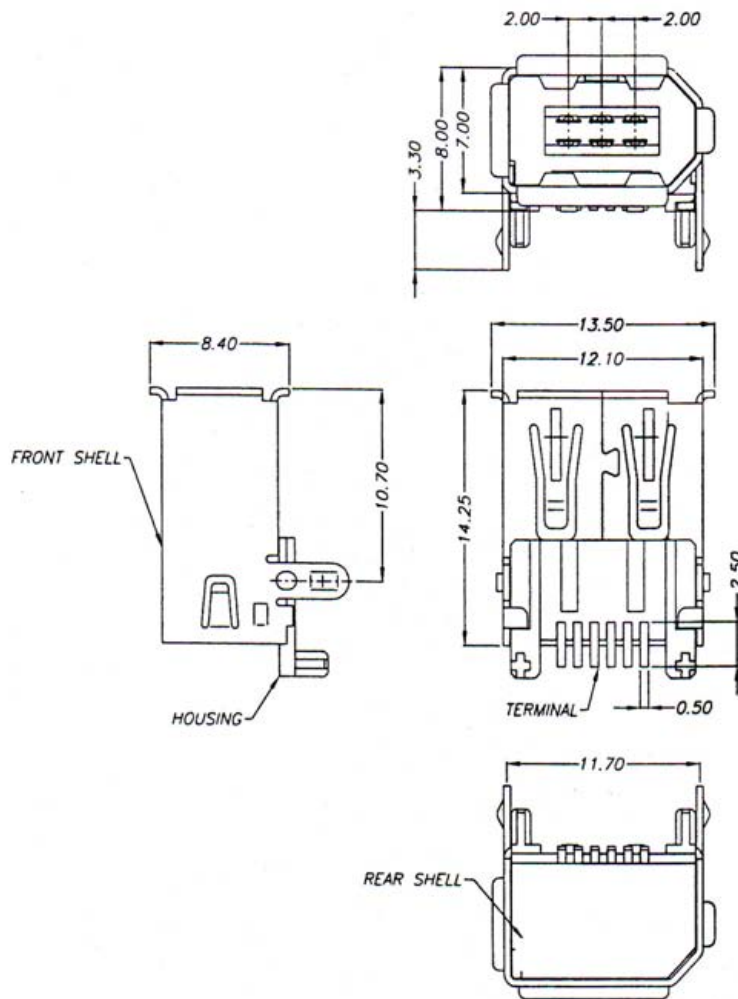
Insulator: PBT, UL94V-0 Rated
Contact: Brass
Shell: Brass, Steel
Contact Plating: Selective Gold Over Nickel Plated
Shell Plating: Tin Or Nickel Over Copper Plated
 *RoHS & REACH compliant.

ORDERING INFORMATION:

P/N F W 2 6 - $\frac{0}{1}$ $\frac{6}{2}$ $\frac{F}{3}$ $\frac{B}{4}$ x x

1. NO. OF CONTACTS:
06
2. CONNECTOR TYPE:
"F" FEMALE
3. INSULATOR COLOR:
"B" BLACK
4. CONTACT FINISH:
"01" GOLD FLASH
"15" 15 MICROINCH GOLD
"30" 30 MICROINCH GOLD

IEEE1394 6 PIN FEMALE CONNECTOR SMT TYPE

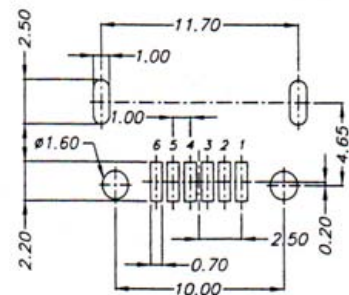


SPECIFICATIONS

Current Rating: 1.0 Amperes
Contact Resistance: 25mΩ Max.
Insulation Resistance: 1000MΩ Min. at 500V
Dielectric Voltage: 1000V at 1 Minute
Operating Temperature: -55°C to +105°C

MATERIALS

Insulator: PBT, UL94V-0 Rated
Contact: Brass
Shell: Brass, Steel
Contact Plating: Selective Gold Over Nickel Plated
Shell Plating: Tin Or Nickel Over Copper Plated
***RoHS & REACH compliant.**

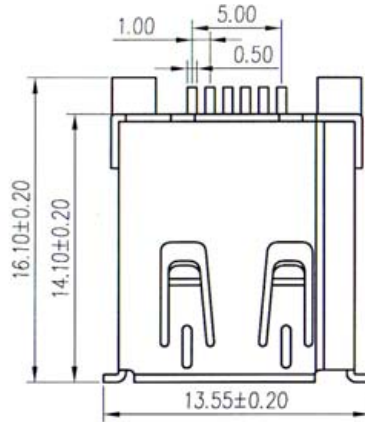


ORDERING INFORMATION:

P/N F W 5 6 - $\frac{0}{1}$ $\frac{6}{2}$ $\frac{F}{3}$ $\frac{B}{4}$ $\frac{30}{4}$

1. NO. OF CONTACTS:
06
2. CONNECTOR TYPE:
"F" FEMALE
3. INSULATOR COLOR:
"B" BLACK
4. CONTACT FINISH:
"30" 30 MICROINCH GOLD

IEEE1394 6 PIN FEMALE CONNECTOR SMT TYPE

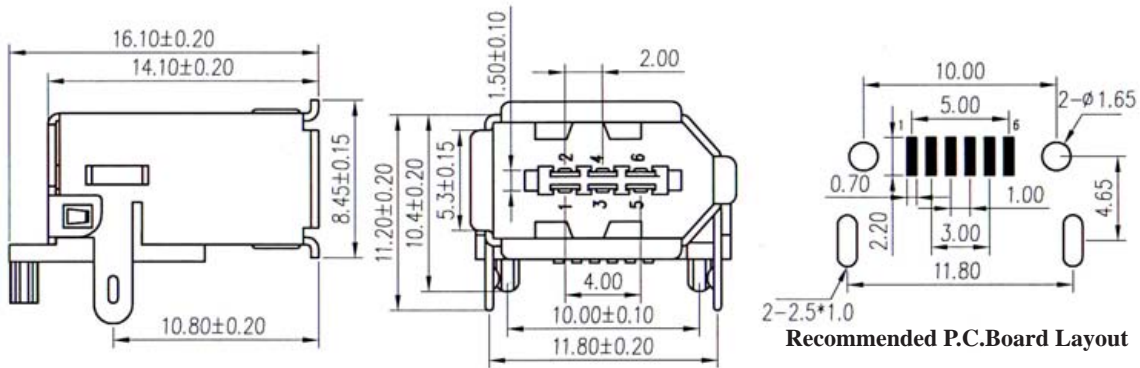


SPECIFICATIONS

Current Rating: 1.0 Amperes
Contact Resistance: 25mΩ Max.
Insulation Resistance: 1000MΩ Min. at 500V
Dielectric Voltage: 1000V at 1 Minute
Operating Temperature: -55°C to +105°C

MATERIALS

Insulator: PBT, UL94V-0 Rated
Contact: Brass
Shell: Brass, Steel
Contact Plating: Selective Gold Over Nickel Plated
Shell Plating: Tin Or Nickel Over Copper Plated
***RoHS & REACH compliant.**



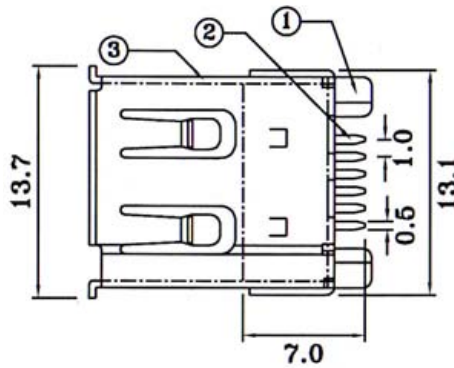
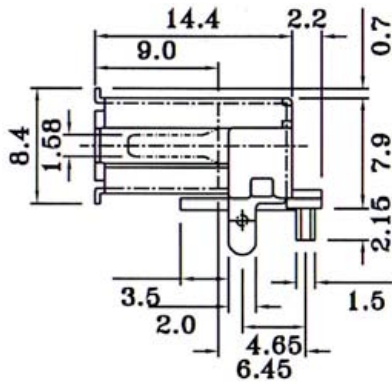
Recommended P.C.Board Layout

ORDERING INFORMATION:

P/N F W 9 2 - $\frac{0}{1}$ $\frac{6}{2}$ $\frac{F}{3}$ $\frac{B}{4}$ x x

1. NO. OF CONTACTS:
06
2. CONNECTOR TYPE:
"F" FEMALE
3. INSULATOR COLOR:
"B" BLACK
4. CONTACT FINISH:
"03" 3 MICROINCH GOLD
"30" 30 MICROINCH GOLD

IEEE1394 6 PIN FEMALE CONNECTOR SMT TYPE

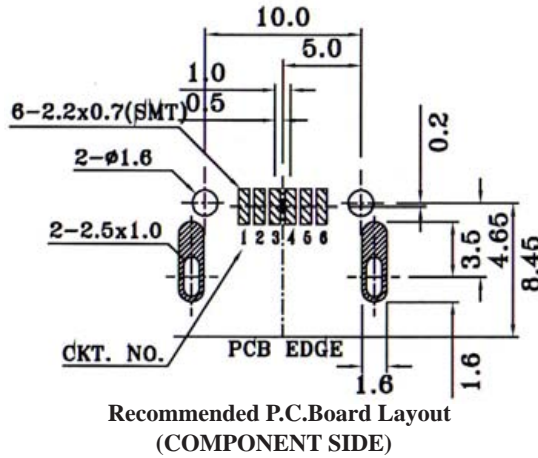
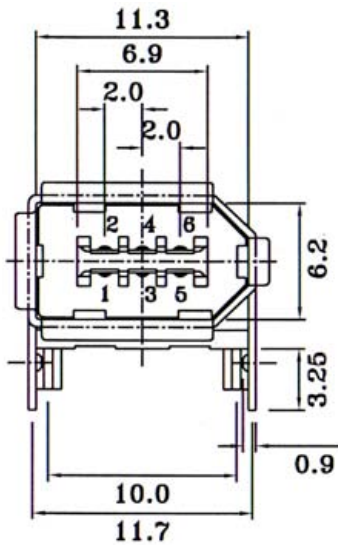


SPECIFICATIONS

Current Rating: 1.0 Amperes
 Contact Resistance: 25mΩ Max.
 Insulation Resistance: 1000MΩ Min. at 500V
 Dielectric Voltage: 1000V at 1 Minute
 Operating Temperature: -55°C to +105°C

MATERIALS

Insulator: PBT, UL94V-0 Rated
 Contact: Brass
 Shell: Brass, Steel
 Contact Plating: Selective Gold Over Nickel Plated
 Shell Plating: Tin Or Nickel Over Copper Plated
 *RoHS & REACH compliant.

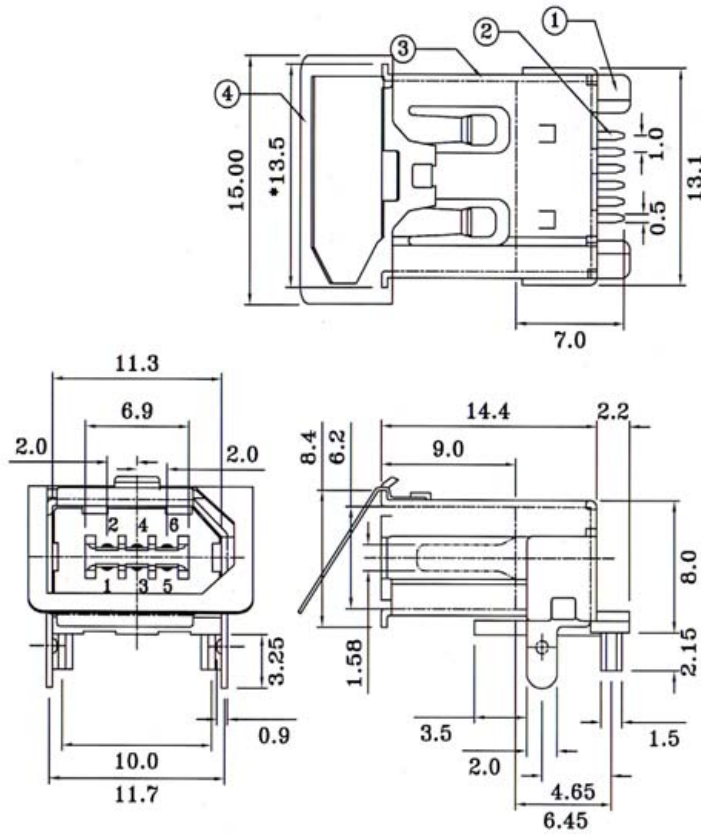


ORDERING INFORMATION:

P/N F W 9 4 - 0 6 F B 3 0
 1 2 3 4

1. NO. OF CONTACTS:
06
2. CONNECTOR TYPE:
"F" FEMALE
3. INSULATOR COLOR:
"B" BLACK
4. CONTACT FINISH:
"30" 30 MICROINCH GOLD

IEEE1394 6 PIN FEMALE CONNECTOR SMT TYPE

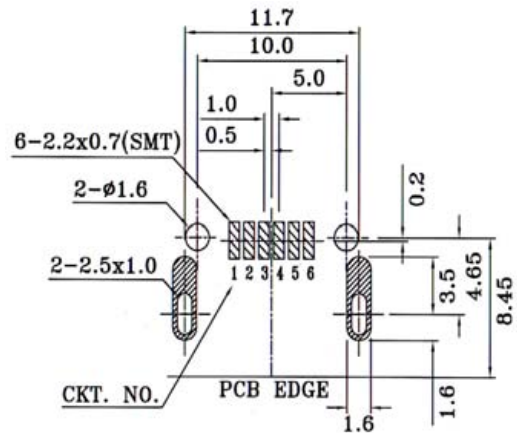


SPECIFICATIONS

Current Rating: 1.0 Amperes
Contact Resistance: 25mΩ Max.
Insulation Resistance: 1000MΩ Min. at 500V
Dielectric Voltage: 1000V at 1 Minute
Operating Temperature: -55°C to +105°C

MATERIALS

Insulator: PBT, UL94V-0 Rated
Contact: Brass
Shell: Brass, Steel
Contact Plating: Selective Gold Over Nickel Plated
Shell Plating: Tin Or Nickel Over Copper Plated
***RoHS & REACH compliant.**



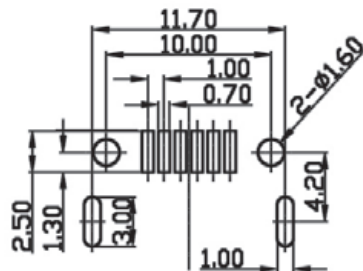
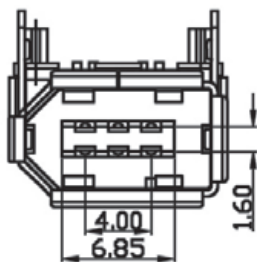
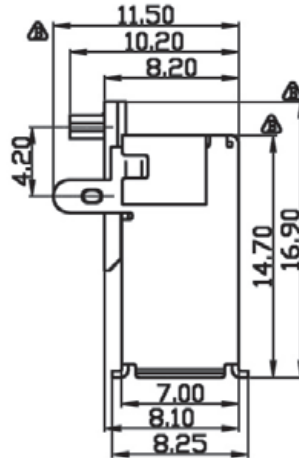
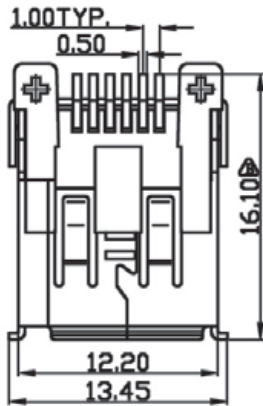
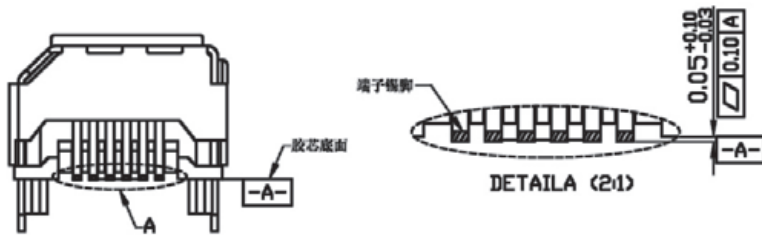
Recommended P.C.Board Layout
(COMPONENT SIDE)

ORDERING INFORMATION:

P/N F W 9 9 - $\frac{0}{1} \frac{6}{2} \frac{F}{3} \frac{B}{4} \frac{3}{4} \frac{0}{4}$

1. NO. OF CONTACTS:
06
2. CONNECTOR TYPE:
"F" FEMALE
3. INSULATOR COLOR:
"B" BLACK
4. CONTACT FINISH:
"30" 30 MICROINCH GOLD

IEEE1394 6 PIN FEMALE CONNECTOR RIGHT ANGLE SMT TYPE



Recommended P.C.Board Layout

SPECIFICATIONS

Current Rating: 1.0 Amperes
 Contact Resistance: 25mΩ Max.
 Insulation Resistance: 1000MΩ Min. at 500V
 Dielectric Voltage: 1000V at 1 Minute
 Operating Temperature: -55°C to +105°C

MATERIALS

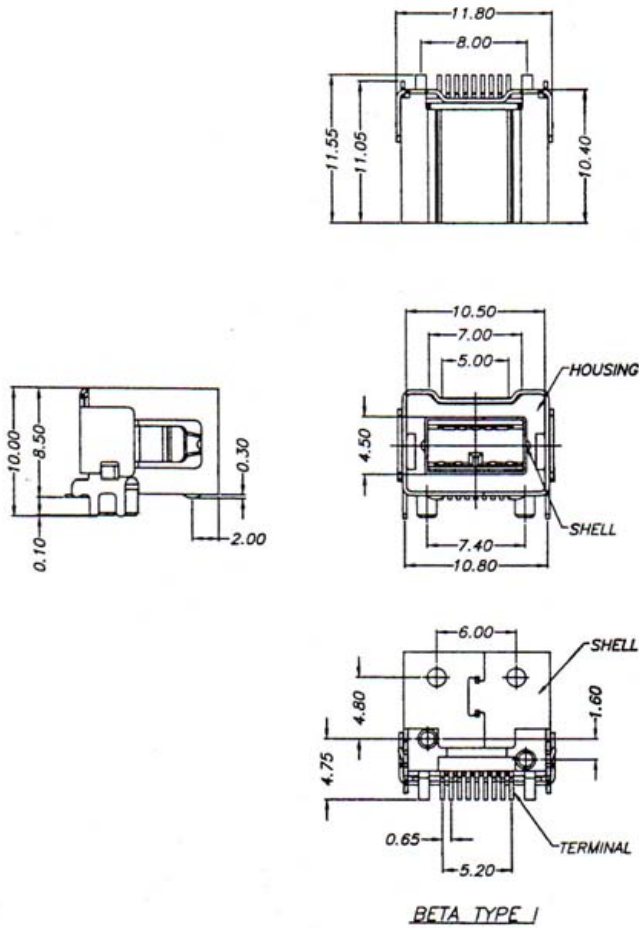
Insulator: PBT, UL94V-0 Rated
 Contact: Brass
 Shell: Brass, Steel
 Contact Plating: Selective Gold Over Nickel Plated
 Shell Plating: Tin Or Nickel Over Copper Plated
 *RoHS & REACH compliant.

ORDERING INFORMATION:

P/N F W 4 9 - 0 6 F B x x
 1 2 3 4

1. NO. OF CONTACTS:
06
2. CONNECTOR TYPE:
"F" FEMALE
3. INSULATOR COLOR:
"B" BLACK
4. CONTACT FINISH:
"01" GOLD FLASH
"15" 15 MICROINCH GOLD
"30" 30 MICROINCH GOLD

IEEE1394b 9 PIN BETA FEMALE CONNECTOR SMT TYPE

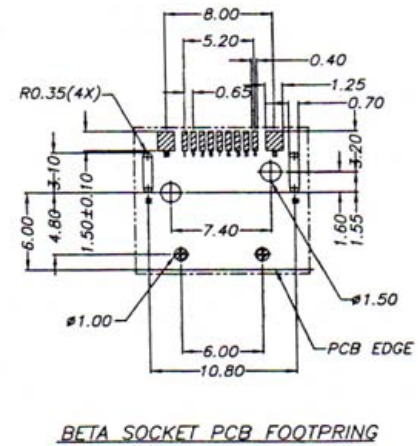


SPECIFICATIONS

Current Rating: 1.0 Amperes
Contact Resistance: 25mΩ Max.
Insulation Resistance: 1000MΩ Min. at 500V
Dielectric Voltage: 1000V at 1 Minute
Operating Temperature: -55°C to +105°C

MATERIALS

Insulator: PBT, UL94V-0 Rated
Contact: Brass
Shell: Brass, Steel
Contact Plating: Selective Gold Over Nickel Plated
Shell Plating: Tin Or Nickel Over Copper Plated
***RoHS & REACH compliant.**

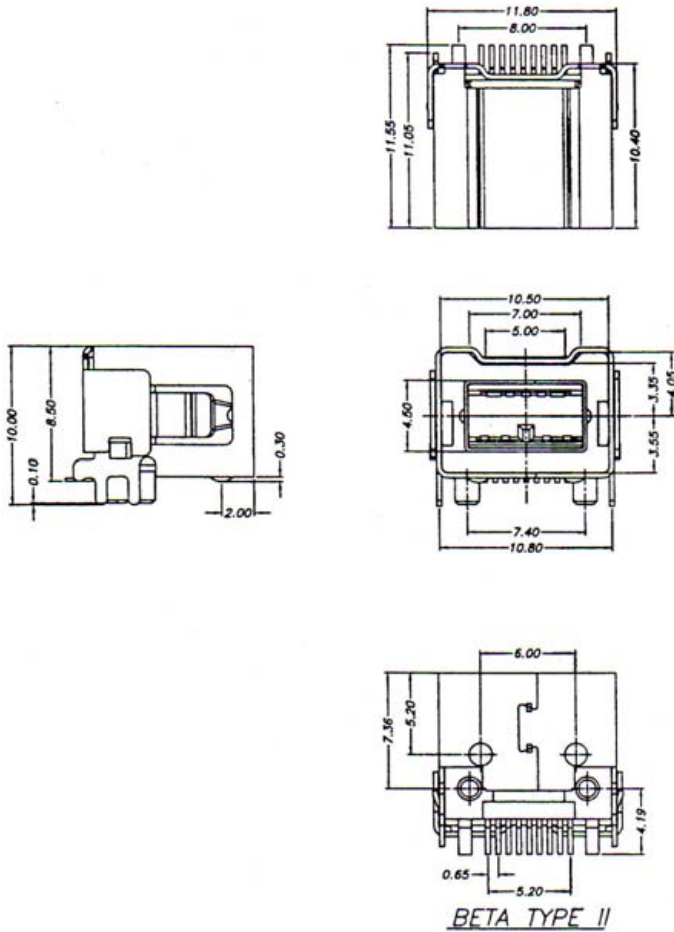


ORDERING INFORMATION:

P/N FW58-09FB30
1 2 3 4

1. NO. OF CONTACTS:
09
2. CONNECTOR TYPE:
"F" FEMALE
3. INSULATOR COLOR:
"B" BLACK
4. CONTACT FINISH:
"30" 30 MICROINCH GOLD

IEEE1394b 9 PIN BETA FEMALE CONNECTOR SMT TYPE

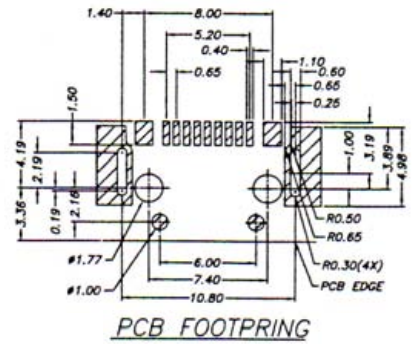


SPECIFICATIONS

- Current Rating:** 1.0 Amperes
- Contact Resistance:** 25mΩ Max.
- Insulation Resistance:** 1000MΩ Min. at 500V
- Dielectric Voltage:** 1000V at 1 Minute
- Operating Temperature:** -55°C to +105°C

MATERIALS

- Insulator:** PBT, UL94V-0 Rated
- Contact:** Brass
- Shell:** Brass, Steel
- Contact Plating:** Selective Gold Over Nickel Plated
- Shell Plating:** Tin Or Nickel Over Copper Plated
- *RoHS & REACH compliant.**

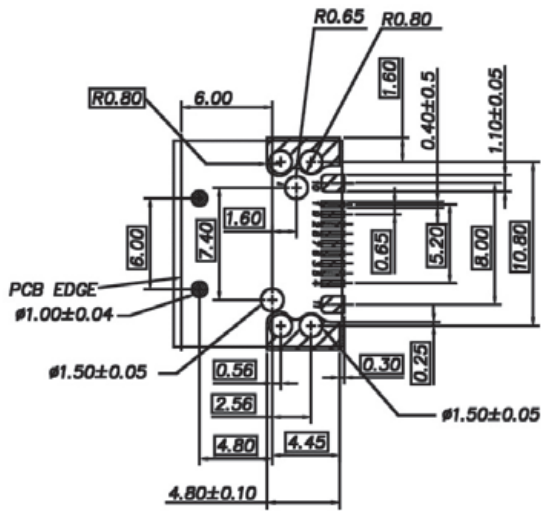


ORDERING INFORMATION:

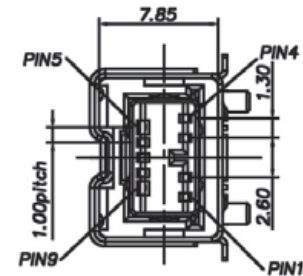
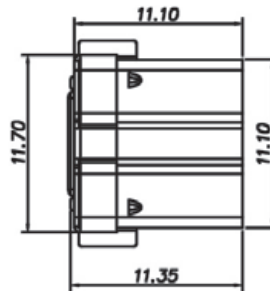
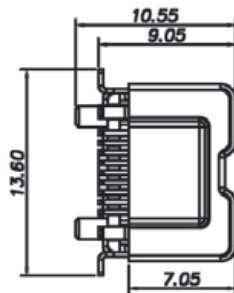
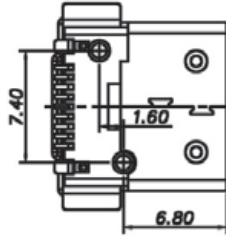
P/N **F W 6 0 - 0 9 F B 3 0**
1 2 3 4

1. NO. OF CONTACTS:
09
2. CONNECTOR TYPE:
"F" FEMALE
3. INSULATOR COLOR:
"B" BLACK
4. CONTACT FINISH:
"30" 30 MICROINCH GOLD

IEEE1394b 9 PIN BILINGUAL FEMALE CONNECTOR SMT TYPE



Recommended P.C.Board Layout



SPECIFICATIONS

Current Rating: 1.0 Amperes
 Contact Resistance: 25mΩ Max.
 Insulation Resistance: 1000MΩ Min. at 500V
 Dielectric Voltage: 1000V at 1 Minute
 Operating Temperature: -55°C to +105°C

MATERIALS

Insulator: PBT, UL94V-0 Rated
 Contact: Brass
 Shell: Brass, Steel
 Contact Plating: Selective Gold Over Nickel Plated
 Shell Plating: Tin Or Nickel Over Copper Plated
 *RoHS & REACH compliant.

ORDERING INFORMATION:

P/N F W 4 2 - 0 9 F B 3 0
 1 2 3 4

1. NO. OF CONTACTS:
09
2. CONNECTOR TYPE:
"F" FEMALE
3. INSULATOR COLOR:
"B" BLACK
4. CONTACT FINISH:
"30" 30 MICROINCH GOLD

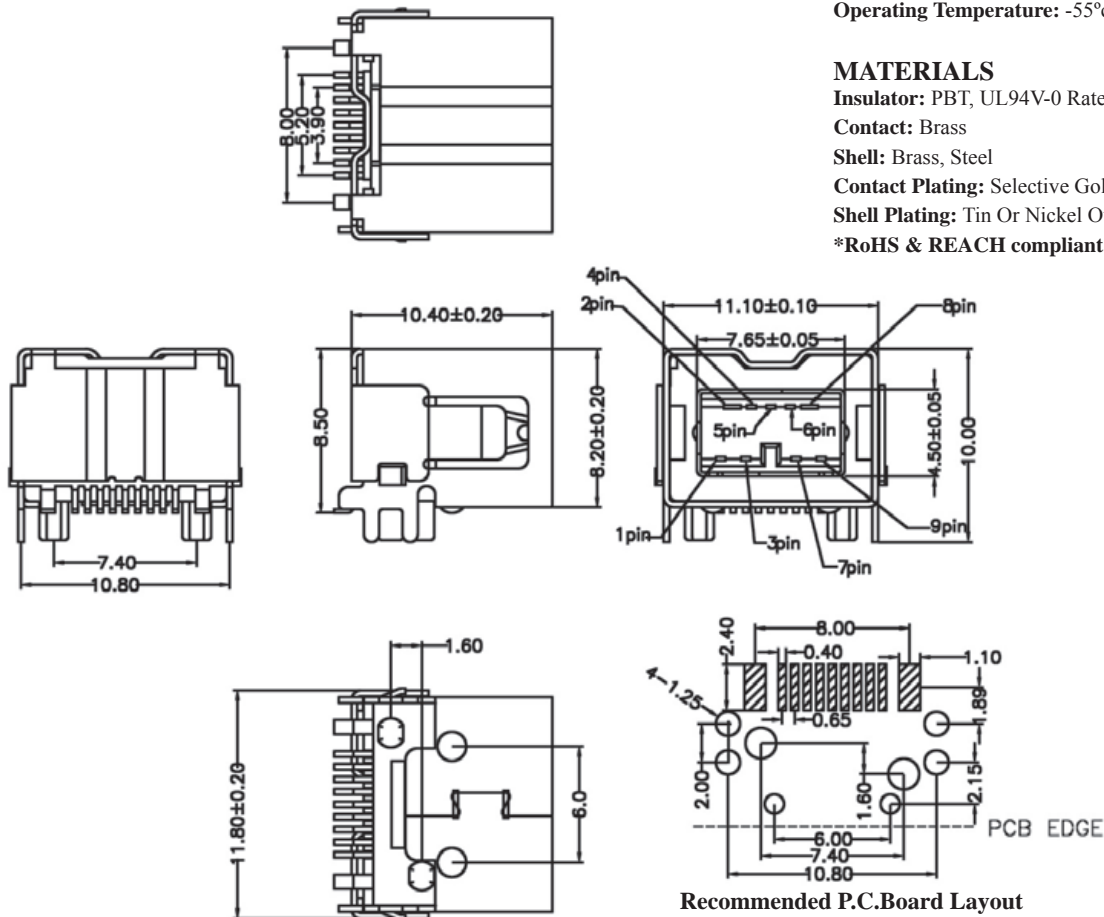
IEEE1394b 9 PIN BILINGUAL FEMALE CONNECTOR SMT TYPE

SPECIFICATIONS

Current Rating: 1.0 Amperes
Contact Resistance: 25mΩ Max.
Insulation Resistance: 1000MΩ Min. at 500V
Dielectric Voltage: 1000V at 1 Minute
Operating Temperature: -55°C to +105°C

MATERIALS

Insulator: PBT, UL94V-0 Rated
Contact: Brass
Shell: Brass, Steel
Contact Plating: Selective Gold Over Nickel Plated
Shell Plating: Tin Or Nickel Over Copper Plated
***RoHS & REACH compliant.**

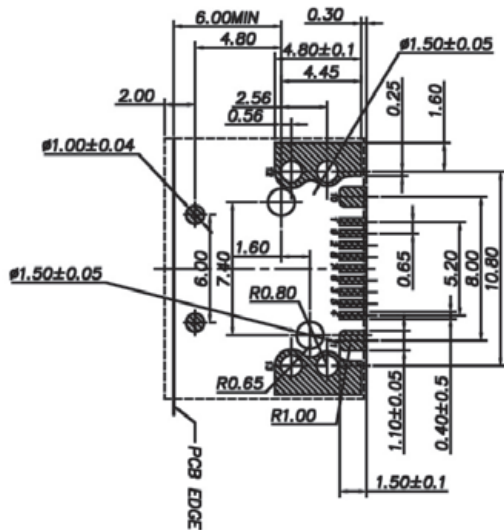


ORDERING INFORMATION:

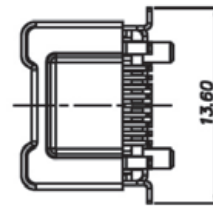
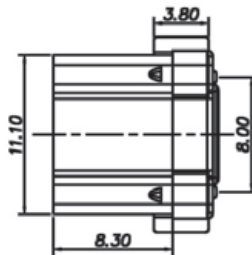
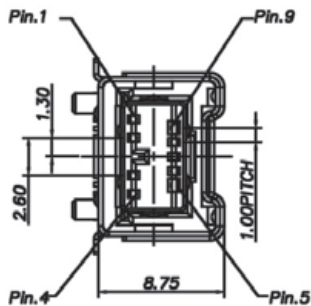
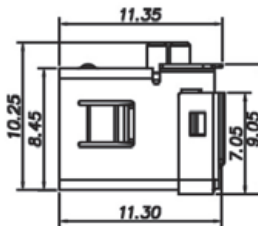
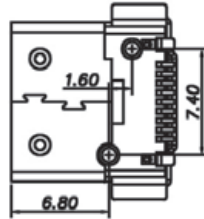
P/N F W 4 5 - 0 9 F B x x
1 2 3 4

1. NO. OF CONTACTS:
09
2. CONNECTOR TYPE:
"F" FEMALE
3. INSULATOR COLOR:
"B" BLACK
4. CONTACT FINISH:
"01" GOLD FLASH
"15" 15 MICROINCH GOLD
"30" 30 MICROINCH GOLD

IEEE1394b 9 PIN BETA FEMALE CONNECTOR SMT TYPE



Recommended P.C.Board Layout



SPECIFICATIONS

Current Rating: 1.0 Amperes
 Contact Resistance: 25mΩ Max.
 Insulation Resistance: 1000MΩ Min. at 500V
 Dielectric Voltage: 1000V at 1 Minute
 Operating Temperature: -55°C to +105°C

MATERIALS

Insulator: PBT, UL94V-0 Rated
 Contact: Brass
 Shell: Brass, Steel
 Contact Plating: Selective Gold Over Nickel Plated
 Shell Plating: Tin Or Nickel Over Copper Plated
 *RoHS & REACH compliant.

ORDERING INFORMATION:

P/N F W 4 6 - $\frac{09}{1}$ $\frac{F}{2}$ $\frac{B}{3}$ $\frac{30}{4}$

1. NO. OF CONTACTS:
09
2. CONNECTOR TYPE:
"F" FEMALE
3. INSULATOR COLOR:
"B" BLACK
4. CONTACT FINISH:
"30" 30 MICROINCH GOLD