

UC41 Series Quick-Connect Terminal Block

UC41系列快速接线端子



Technical Data

Material:

Body: PC polycarbonate.
 Spring clip: SUS301
 Conductor: Copper, Tin plated.
 Cover: PA66 UL94V0

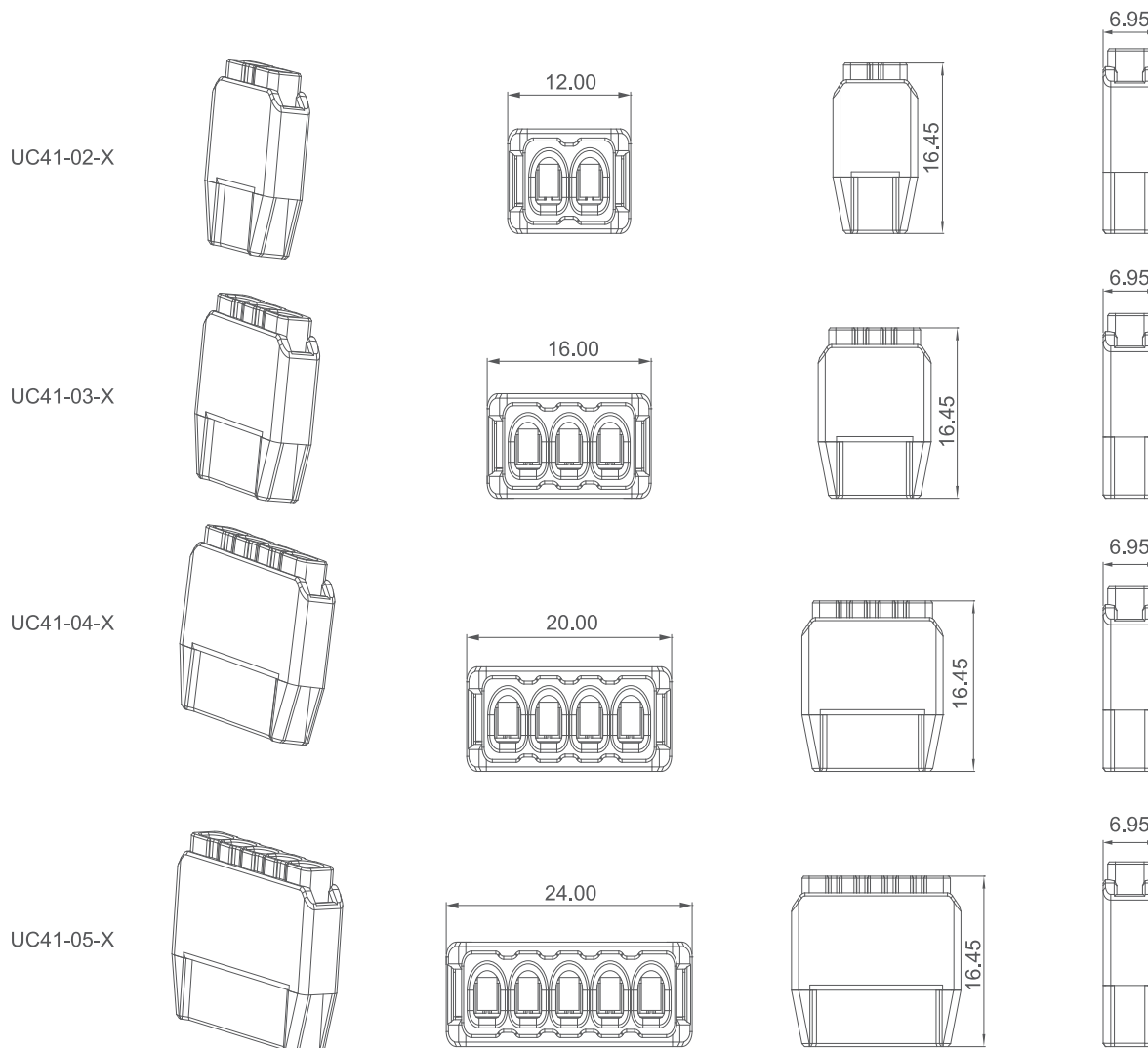
Electrical:

Voltage rating/Current rating: IEC: 300V/24A.
 Contact resistance: 20 m Ω Max.
 Insulation resistance: DC 1000V, 1000M Ω Min.
 Withstanding Voltage: AC 2500V, 1 Minute.

Mechanical:

Connection Capacity: IEC 0.75-2.5mm (Solid Wire) 18-12AWG.
 Stripping Length: 10-12mm.
 No of Positions: 2P, 3P, 5P
 Operating temperature: -45°C to +80°C.

DIMENSIONS



UC42 Series Quick-Connect Terminal Block

UC42系列快速连接线端子



Technical Data

Material:

Body: PC polycarbonate.
 Spring clip: SUS301
 Conductor: Copper, Tin plated.
 Cover: PA66 UL94V0

Electrical:

Voltage rating/Current rating: IEC:300V/24A.
 Contact resistance: 20 m Ω Max.
 Insulation resistance: DC1000V, 1000M Ω Min.
 Withstanding Voltage: AC 2500V, 1 Minute.

Mechanical:

Connection Capacity: IEC 0.75-2.5mm (Solid Wire) 18-12AWG.
 Stripping Length: 10-12mm.
 No of Positions: 2P, 3P, 5P
 Operating temperature: -45°C to +80°C.

DIMENSIONS

