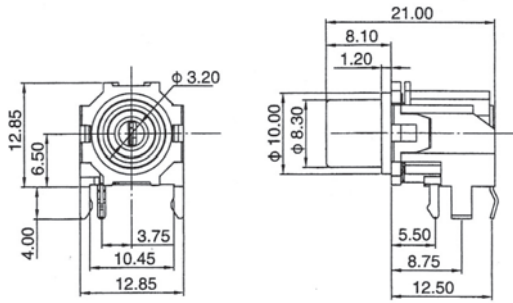
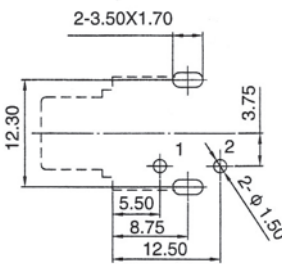

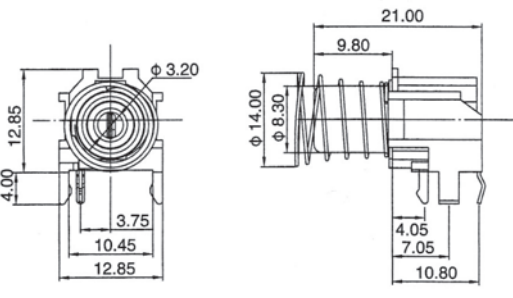
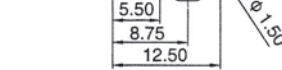
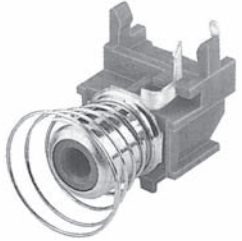
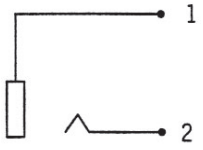


RCA JACK (1)

P/N	Dimension (m/m)	Pin Hole Layout (Jack Bottom View)	
7701**-46			 <p data-bbox="1223 654 1372 688">7701**-46</p>
7701**-47			 <p data-bbox="1223 1067 1372 1102">7701**-47</p>
Schematic Code			
			
U			

ORDERING INFORMATION:

P/N 7701 $\begin{matrix} \text{xx} & \text{xx} & \text{xx} & \text{xx} \\ \text{1} & \text{2} & \text{3} & \text{4} & \text{5} & \text{6} \end{matrix}$

- | | |
|--|--|
| <p>1. TERMINAL FINISH:
"S" SILVER PLATED (STANDARD)
"G" GOLD FLASH PLATED</p> <p>2. BUSHING FINISH:
"N" NICKEL PLATED (STANDARD)
"G" GOLD FLASH PLATED</p> <p>3. JACK CODE:
46, 47 (SEE DRAWING !)</p> | <p>4. SCHEMATIC CODE:
"U" ONLY</p> <p>5. SHELL FINISH:
"0" PLASTIC SHELL</p> <p>6. INSULATOR COLOR OPTION:
"B" BLACK "A" GRAY
"R" RED "O" ORANGE
"W" WHITE "C" BROWN
"Y" YELLOW
"U" BLUE
"N" GREEN</p> |
|--|--|

RCA JACK (2)

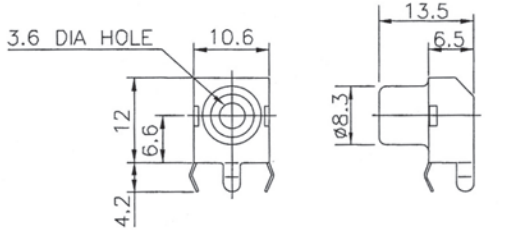
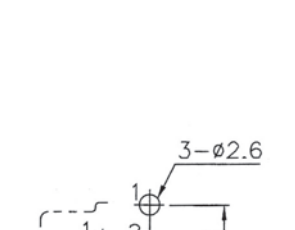
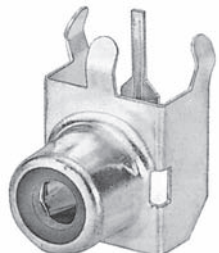
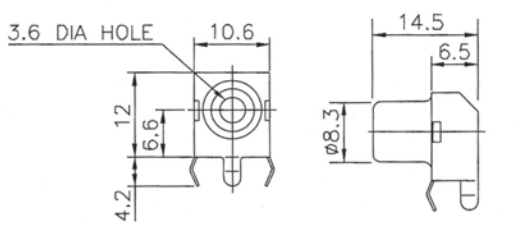
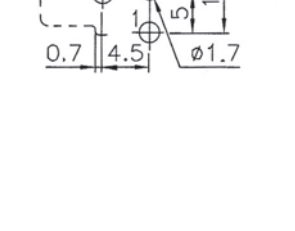
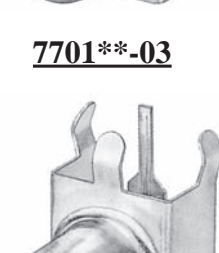
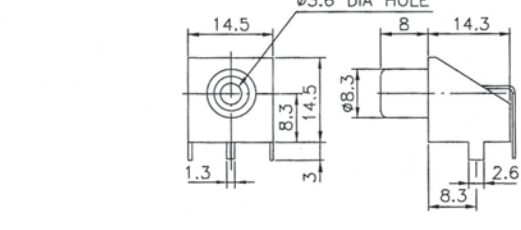
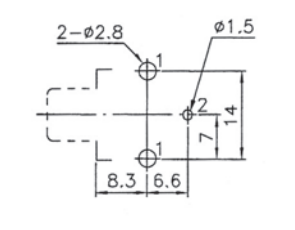

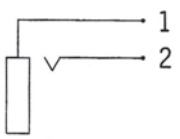
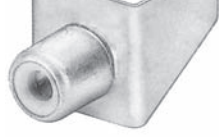
P/N	Dimension (m/m)	Pin Hole Layout (Jack Bottom View)	
7701**-01			
7701**-38			
7701**-02			
Schematic Code			
U			7701**-02

ORDERING INFORMATION:

P/N 7701 $\frac{xx}{12} - \frac{xxxx}{3456}$

- | | |
|--|---|
| <p>1. TERMINAL FINISH:
 "T" TIN PLATED (STANDARD)
 "G" GOLD FLASH PLATED</p> <p>2. BUSHING FINISH:
 "N" NICKEL PLATED (STANDARD)
 "G" GOLD FLASH PLATED</p> <p>3. JACK CODE:
 01, 38, 02 (SEE DRAWING !)</p> | <p>4. SCHEMATIC CODE:
 "U" ONLY</p> <p>5. SHELL FINISH:
 "T" TIN PLATED (STANDARD)
 "G" GOLD FLASH PLATED</p> <p>6. INSULATOR COLOR OPTION:
 "B" BLACK "A" GRAY
 "R" RED "O" ORANGE
 "W" WHITE "C" BROWN
 "Y" YELLOW
 "U" BLUE
 "N" GREEN</p> |
|--|---|

RCA JACK (3)

P/N	Dimension (m/m)	Pin Hole Layout (Jack Bottom View)	
7701**-03			 <p data-bbox="1207 631 1356 677">7701**-03</p>
7701**-04			 <p data-bbox="1207 872 1356 918">7701**-04</p>
7701**-05			 <p data-bbox="1207 987 1356 1033">7701**-04</p>
Schematic Code			
			 <p data-bbox="1207 1354 1356 1400">7701**-05</p>
U			

ORDERING INFORMATION:

P/N 7701 $\begin{matrix} \text{xx} & \text{xx} & \text{xx} & \text{xx} \\ \text{1} & \text{2} & \text{3} & \text{4} & \text{5} & \text{6} \end{matrix}$

- | | |
|--|--|
| <p>1. TERMINAL FINISH:
 "T" TIN PLATED (STANDARD)
 "G" GOLD FLASH PLATED</p> <p>2. BUSHING FINISH:
 "N" NICKEL PLATED (STANDARD)
 "G" GOLD FLASH PLATED</p> <p>3. JACK CODE:
 03, 04, 05 (SEE DRAWING !)</p> | <p>4. SCHEMATIC CODE:
 "U" ONLY</p> <p>5. SHELL FINISH:
 "T" TIN PLATED (STANDARD)
 "G" GOLD FLASH PLATED</p> <p>6. INSULATOR COLOR OPTION:
 "B" BLACK "A" GRAY
 "R" RED "O" ORANGE
 "W" WHITE "C" BROWN
 "Y" YELLOW
 "U" BLUE
 "N" GREEN</p> |
|--|--|

RCA JACK (4)

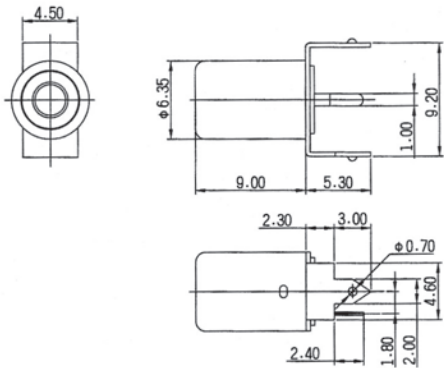
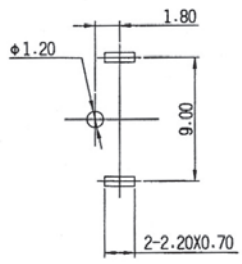

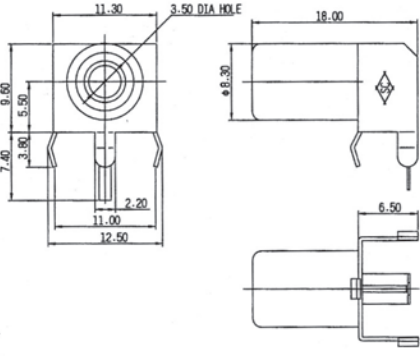
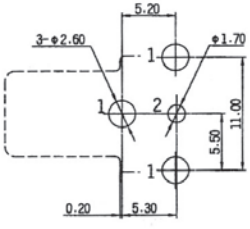
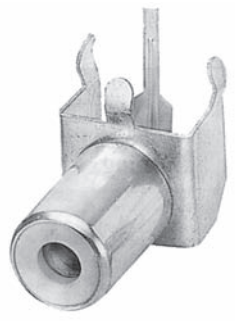
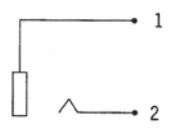
P/N	Dimension (m/m)	Pin Hole Layout (Jack Bottom View)	
7701**-06			 7701**-06
7701**-39			 7701**-39
7701**-07		Schematic Code	 7701**-07
7701**-08			 7701**-08

ORDERING INFORMATION:

P/N 7701 $\begin{matrix} \text{X} & \text{X} & - & \text{X} & \text{X} & \text{X} & \text{X} & \text{X} \\ \text{1} & \text{2} & & \text{3} & \text{4} & \text{5} & \text{6} \end{matrix}$

- TERMINAL FINISH:
"T" TIN PLATED (STANDARD)
"G" GOLD FLASH PLATED
- BUSHING FINISH:
"N" NICKEL PLATED (STANDARD)
"G" GOLD FLASH PLATED
- JACK CODE:
06, 39, 07, 08 (SEE DRAWING !)
"06" W/O GROUNDING PLATE
"39" WITH GROUNDING PLATE
- SCHEMATIC CODE:
"U" ONLY
- SHELL FINISH:
"T" TIN PLATED (STANDARD)
"G" GOLD FLASH PLATED
- INSULATOR COLOR OPTION:
"B" BLACK "A" GRAY
"R" RED "O" ORANGE
"W" WHITE "C" BROWN
"Y" YELLOW
"U" BLUE
"N" GREEN

RCA JACK (5)

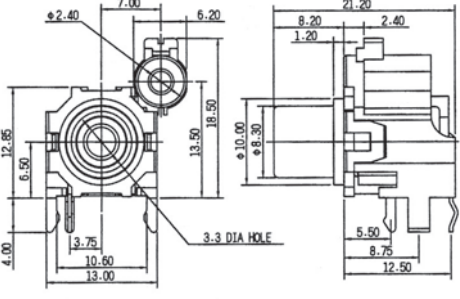
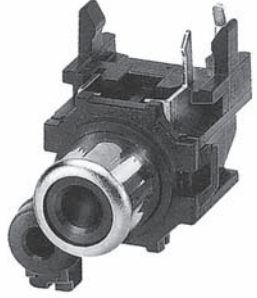
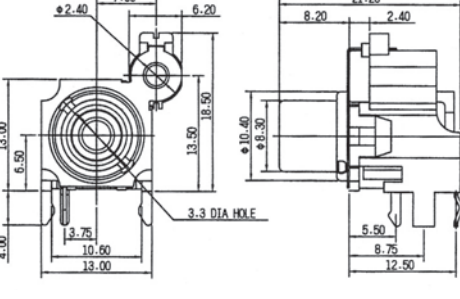
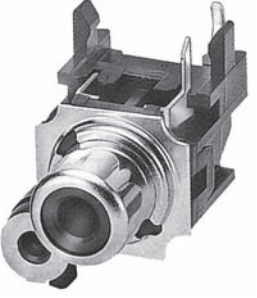
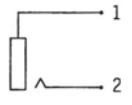
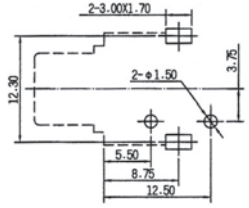
P/N	Dimension (m/m)	Pin Hole Layout (Jack Bottom View)	
7701**-10			 <p style="text-align: center;">7701**-10</p>
7701**-40			 <p style="text-align: center;">7701**-40</p>
Schematic Code			
			
U			

ORDERING INFORMATION:

P/N 7701 $\frac{xx}{12} - \frac{xxxx}{3456}$

- | | |
|---|--|
| <p>1. TERMINAL FINISH:
"T" TIN PLATED (STANDARD)
"G" GOLD FLASH PLATED</p> <p>2. BUSHING FINISH:
"N" NICKEL PLATED (STANDARD)
"G" GOLD FLASH PLATED</p> <p>3. JACK CODE:
10, 40 (SEE DRAWING !)</p> | <p>4. SCHEMATIC CODE:
"U" ONLY</p> <p>5. SHELL FINISH:
"T" TIN PLATED (STANDARD)
"G" GOLD FLASH PLATED</p> <p>6. INSULATOR COLOR OPTION:
"B" BLACK "A" GRAY
"R" RED "O" ORANGE
"W" WHITE "C" BROWN
"Y" YELLOW
"U" BLUE
"N" GREEN</p> |
|---|--|

RCA JACK (6)

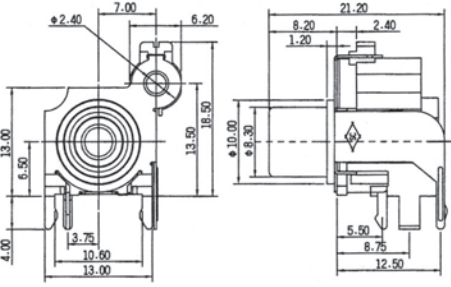
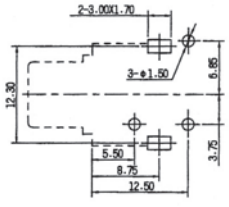
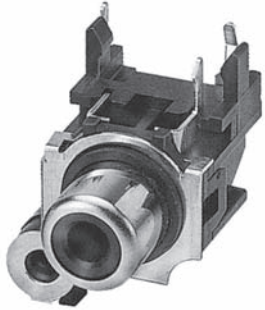
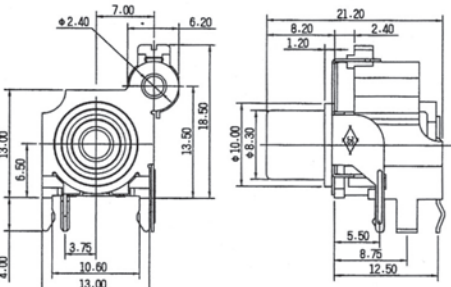
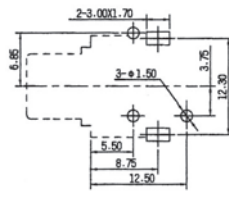
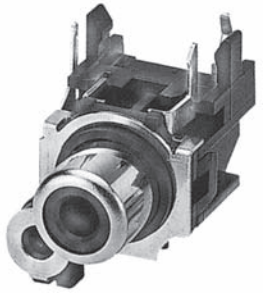
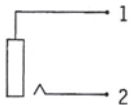
P/N	Dimension (m/m)	
7701**-41		 <p>7701**-41</p>
7701**-42		 <p>7701**-42</p>
Schematic Code	Pin Hole Layout (Jack Bottom View)	
		
U		

ORDERING INFORMATION:

P/N 7701 $\frac{xx}{12} - \frac{xxxx}{3456}$

- | | |
|---|---|
| <p>1. TERMINAL FINISH:
 "S" SILVER PLATED (STANDARD)
 "G" GOLD FLASH PLATED</p> <p>2. BUSHING FINISH:
 "N" NICKEL PLATED (STANDARD)
 "G" GOLD FLASH PLATED</p> <p>3. JACK CODE:
 41, 42 (SEE DRAWING !)</p> | <p>4. SCHEMATIC CODE:
 "U" ONLY</p> <p>5. SEALING SHELL FINISH:
 "N" NICKEL PLATED (STANDARD)
 "G" GOLD FLASH PLATED</p> <p>6. INSULATOR COLOR OPTION:
 "B" BLACK "A" GRAY
 "R" RED "O" ORANGE
 "W" WHITE "C" BROWN
 "Y" YELLOW
 "U" BLUE
 "N" GREEN</p> |
|---|---|

RCA JACK (7)

P/N	Dimension (m/m)	Pin Hole Layout (Jack Bottom View)	
7701**-43			 <p style="text-align: center;">7701**-43</p>
7701**-44			 <p style="text-align: center;">7701**-44</p>
Schematic Code			
			
U			

ORDERING INFORMATION:

P/N 7701 $\frac{1}{1}$ $\frac{2}{2}$ - $\frac{3}{3}$ $\frac{4}{4}$ $\frac{5}{5}$ $\frac{6}{6}$

- | | |
|---|---|
| <p>1. TERMINAL FINISH:
"S" SILVER PLATED (STANDARD)
"G" GOLD FLASH PLATED</p> <p>2. BUSHING FINISH:
"N" NICKEL PLATED (STANDARD)
"G" GOLD FLASH PLATED</p> <p>3. JACK CODE:
"43" STANDARD
"44" WITH SHORT GROUNDING PIN</p> | <p>4. SCHEMATIC CODE:
"U" ONLY</p> <p>5. GROUNDING FINISH:
"N" NICKEL PLATED (STANDARD)
"G" GOLD FLASH PLATED</p> <p>6. INSULATOR COLOR OPTION:
"B" BLACK "A" GRAY
"R" RED "O" ORANGE
"W" WHITE "C" BROWN
"Y" YELLOW
"U" BLUE
"N" GREEN</p> |
|---|---|

RCA JACK (8)

P/N	Dimension (m/m)	Pin Hole Layout (Jack Bottom View)		
7701**-11			<p style="text-align: center;">7701**-11</p>	
7701**-16			<p style="text-align: center;">7701**-16</p>	
Schematic Code				
U	V	W	X	Y

ORDERING INFORMATION:

P/N 7701 $\begin{matrix} \text{xx} & \text{xx} & \text{xx} & \text{xx} \\ \text{12} & \text{3} & \text{456} & \end{matrix}$

- | | |
|---|--|
| <p>1. TERMINAL FINISH:
 "S" SILVER PLATED (STANDARD)
 "G" GOLD FLASH PLATED</p> <p>2. BUSHING FINISH:
 "N" NICKEL PLATED (STANDARD)
 "G" GOLD FLASH PLATED</p> <p>3. JACK CODE:
 11, 16 (SEE DRAWING !)</p> | <p>4. SCHEMATIC CODE:
 U, V, W, X, Y</p> <p>5. SHELL FINISH:
 "0" PLASTIC SHELL</p> <p>6. INSULATOR COLOR OPTION:
 "B" BLACK "A" GRAY
 "R" RED "O" ORANGE
 "W" WHITE "C" BROWN
 "Y" YELLOW
 "U" BLUE
 "N" GREEN</p> |
|---|--|

RCA JACK (9)

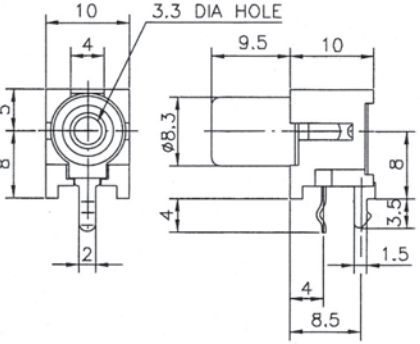
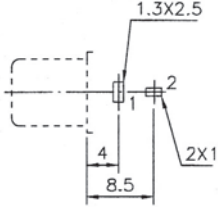
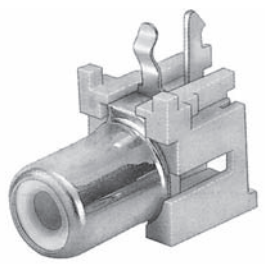
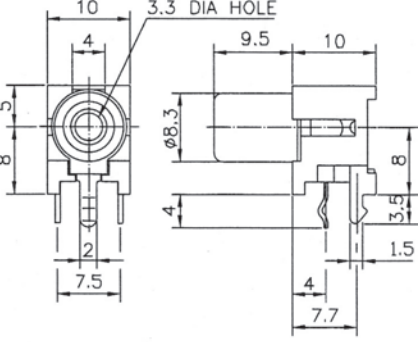
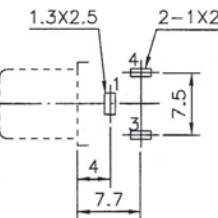
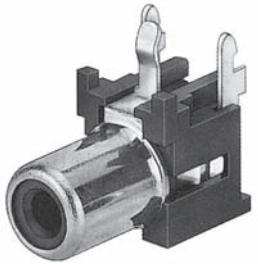
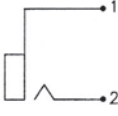
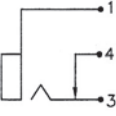
P/N	Dimension (m/m)	Pin Hole Layout (Jack Bottom View)	
7701**-21			<p style="text-align: center;">7701**-21</p>
7701**-22			<p style="text-align: center;">7701**-22</p>
Schematic Code			
U	V		

ORDERING INFORMATION:

P/N 7701 $\begin{matrix} \text{xx} & \text{xxxx} \\ \text{12} & \text{3456} \end{matrix}$

- | | |
|---|--|
| <p>1. TERMINAL FINISH:
 "S" SILVER PLATED (STANDARD)
 "G" GOLD FLASH PLATED</p> <p>2. BUSHING FINISH:
 "N" NICKEL PLATED (STANDARD)
 "G" GOLD FLASH PLATED</p> <p>3. JACK CODE:
 "21" SCHEMATIC U ONLY
 "22" SCHEMATIC V ONLY</p> | <p>4. SCHEMATIC CODE:
 U, V</p> <p>5. SHELL FINISH:
 "0" PLASTIC SHELL</p> <p>6. INSULATOR COLOR OPTION:
 "B" BLACK "A" GRAY
 "R" RED "O" ORANGE
 "W" WHITE "C" BROWN
 "Y" YELLOW
 "U" BLUE
 "N" GREEN</p> |
|---|--|

RCA JACK (10)

P/N	Dimension (m/m)	Pin Hole Layout (Jack Bottom View)	
7701**-23			 <p style="text-align: center;">7701**-23</p>
7701**-24			 <p style="text-align: center;">7701**-24</p>
Schematic Code			
			
U	V		

ORDERING INFORMATION:

P/N 7701 $\begin{matrix} \text{xx} & \text{xx} & \text{xx} & \text{xx} \\ \text{12} & \text{3} & \text{456} & \end{matrix}$

- | | |
|---|--|
| <p>1. TERMINAL FINISH:
 "S" SILVER PLATED (STANDARD)
 "G" GOLD FLASH PLATED</p> <p>2. BUSHING FINISH:
 "N" NICKEL PLATED (STANDARD)
 "G" GOLD FLASH PLATED</p> <p>3. JACK CODE:
 "23" SCHEMATIC U ONLY
 "24" SCHEMATIC V ONLY</p> | <p>4. SCHEMATIC CODE:
 U, V</p> <p>5. SHELL FINISH:
 "0" PLASTIC SHELL</p> <p>6. INSULATOR COLOR OPTION:
 "B" BLACK "A" GRAY
 "R" RED "O" ORANGE
 "W" WHITE "C" BROWN
 "Y" YELLOW
 "U" BLUE
 "N" GREEN</p> |
|---|--|

RCA JACK (11)

P/N	Dimension (m/m)	Pin Hole Layout (Jack Bottom View)	
7701**-25			<p>7701**-25</p>
7701**-26			<p>7701**-26</p>
7701**-27			<p>7701**-27</p>
7701**-28			<p>7701**-28</p>
Schematic Code			
<p>U</p>	<p>V</p>	<p>7701**-28</p>	

ORDERING INFORMATION:

P/N 7701 $\begin{matrix} \text{xx} & \text{xxxxx} \\ \text{12} & \text{3456} \end{matrix}$

- | | |
|---|---|
| <p>1. TERMINAL FINISH:
 "S" SILVER PLATED (STANDARD)
 "G" GOLD FLASH PLATED</p> <p>2. BUSHING FINISH:
 "N" NICKEL PLATED (STANDARD)
 "G" GOLD FLASH PLATED</p> <p>3. JACK CODE:
 "25" SCHEMATIC U ONLY
 "26" SCHEMATIC V ONLY
 "27" SCHEMATIC U ONLY
 "28" SCHEMATIC V ONLY</p> | <p>4. SCHEMATIC CODE:
 U, V</p> <p>5. SHELL FINISH:
 "0" PLASTIC SHELL</p> <p>6. INSULATOR COLOR OPTION:
 "B" BLACK "A" GRAY
 "R" RED "O" ORANGE
 "W" WHITE "C" BROWN
 "Y" YELLOW
 "U" BLUE
 "N" GREEN</p> |
|---|---|

RCA JACK (12)

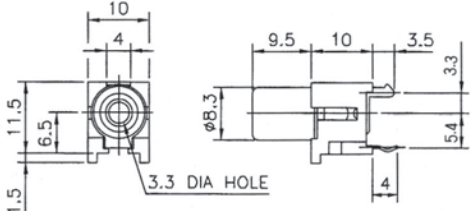
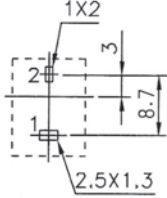
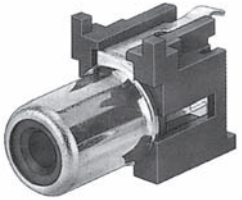
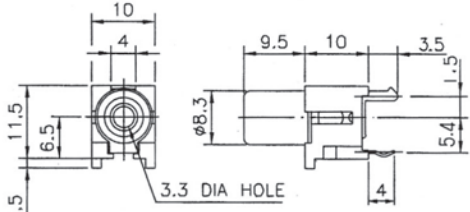
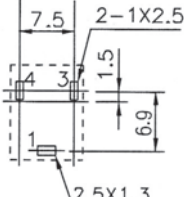
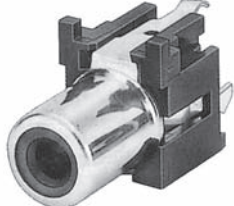

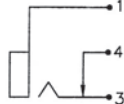
P/N	Dimension (m/m)	Pin Hole Layout (Jack Bottom View)	
7701**-29			<p>7701**-29</p>
7701**-30			<p>7701**-30</p>
7701**-31			<p>7701**-31</p>
7701**-32			<p>7701**-31</p>
Schematic Code			<p>7701**-32</p>
<p>U</p>	<p>V</p>		

ORDERING INFORMATION:

P/N 7701 $\begin{matrix} \text{xx} & \text{xxxxx} \\ \text{12} & \text{3456} \end{matrix}$

- | | |
|---|---|
| <p>1. TERMINAL FINISH:
 "S" SILVER PLATED (STANDARD)
 "G" GOLD FLASH PLATED</p> <p>2. BUSHING FINISH:
 "N" NICKEL PLATED (STANDARD)
 "G" GOLD FLASH PLATED</p> <p>3. JACK CODE:
 "29" SCHEMATIC U ONLY
 "30" SCHEMATIC V ONLY
 "31" SCHEMATIC U ONLY
 "32" SCHEMATIC V ONLY</p> | <p>4. SCHEMATIC CODE:
 U, V</p> <p>5. METAL SHELL FINISH:
 "N" NICKEL PLATED (STANDARD)
 "T" TIN PLATED</p> <p>6. INSULATOR COLOR OPTION:
 "B" BLACK "A" GRAY
 "R" RED "O" ORANGE
 "W" WHITE "C" BROWN
 "Y" YELLOW
 "U" BLUE
 "N" GREEN</p> |
|---|---|

RCA JACK (13)

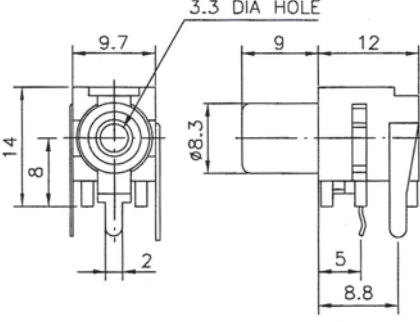
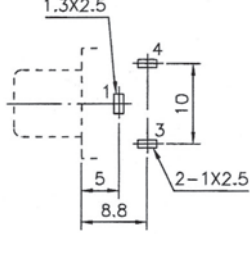
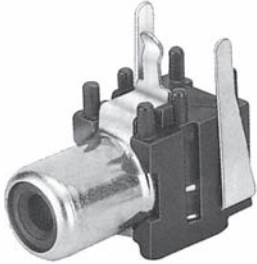
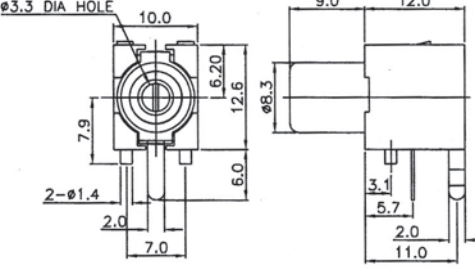
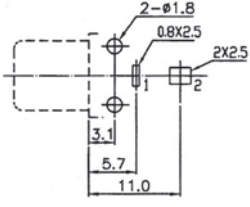
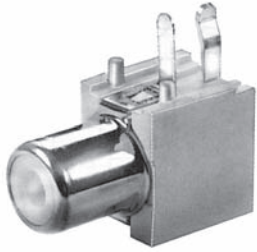
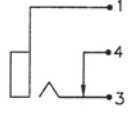
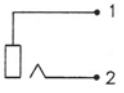
P/N	Dimension (m/m)	Pin Hole Layout (Jack Bottom View)	
7701**-33			 <p style="text-align: center;">7701**-33</p>
7701**-34			 <p style="text-align: center;">7701**-34</p>
Schematic Code			
			
U	V		

ORDERING INFORMATION:

P/N 7701 $\begin{matrix} \text{xx} \\ \text{12} \end{matrix} - \begin{matrix} \text{xxxx} \\ \text{3456} \end{matrix}$

- | | |
|---|--|
| <p>1. TERMINAL FINISH:
"S" SILVER PLATED (STANDARD)
"G" GOLD FLASH PLATED</p> <p>2. BUSHING FINISH:
"N" NICKEL PLATED (STANDARD)
"G" GOLD FLASH PLATED</p> <p>3. JACK CODE:
"33" SCHEMATIC U ONLY
"34" SCHEMATIC V ONLY</p> | <p>4. SCHEMATIC CODE:
V, U</p> <p>5. SHELL FINISH:
"0" PLASTIC SHELL</p> <p>6. INSULATOR COLOR OPTION:
"B" BLACK "A" GRAY
"R" RED "O" ORANGE
"W" WHITE "C" BROWN
"Y" YELLOW
"U" BLUE
"N" GREEN</p> |
|---|--|

RCA JACK (14)

P/N	Dimension (m/m)	Pin Hole Layout (Jack Bottom View)	
7701**-35			 <p style="text-align: center;">7701**-35</p>
7701**-36			 <p style="text-align: center;">7701**-36</p>
Schematic Code			
 <p style="text-align: center;">V</p>	 <p style="text-align: center;">U</p>		

ORDERING INFORMATION:

P/N 7701 $\begin{matrix} \text{xx} \\ \text{12} \end{matrix}$ - $\begin{matrix} \text{xxxx} \\ \text{3456} \end{matrix}$

- | | |
|---|---|
| <p>1. TERMINAL FINISH:
 "S" SILVER PLATED (STANDARD)
 "G" GOLD FLASH PLATED</p> <p>2. BUSHING FINISH:
 "N" NICKEL PLATED (STANDARD)
 "G" GOLD FLASH PLATED</p> <p>3. JACK CODE:
 "35" SCHEMATIC V ONLY
 "36" SCHEMATIC U ONLY</p> | <p>4. SCHEMATIC CODE:
 V, U</p> <p>5. SHELL FINISH:
 "0" PLASTIC SHELL</p> <p>6. INSULATOR COLOR OPTION:
 "B" BLACK "A" GRAY
 "R" RED "O" ORANGE
 "W" WHITE "C" BROWN
 "Y" YELLOW
 "U" BLUE
 "N" GREEN</p> |
|---|---|

RCA JACK (15)

P/N	Dimension (m/m)	Pin Hole Layout (Jack Bottom View)	
7701**-09 7701**-37			<p style="text-align: center;">7701**-37</p>
7701**-45			<p style="text-align: center;">7701**-45</p>
Schematic Code			
<p style="text-align: center;">L</p>			

ORDERING INFORMATION:

P/N 7701 $\begin{matrix} \text{X} & \text{X} & - & \text{X} & \text{X} & \text{X} & \text{X} \\ \text{1} & \text{2} & & \text{3} & \text{4} & \text{5} & \text{6} \end{matrix}$

1. TERMINAL FINISH:
 "S" SILVER PLATED
 "G" GOLD FLASH PLATED (STANDARD)
2. BUSHING FINISH:
 "N" NICKEL PLATED (STANDARD)
 "G" GOLD FLASH PLATED
3. JACK CODE:
 "09" WITH REAR SHELL
 "37" W/O REAR SHELL
 "45" WITH SILVER PLATED TERMINAL ONLY

4. SCHEMATIC CODE:
 L
5. SHELL FINISH:
 "0" PLASTIC SHELL
6. INSULATOR COLOR OPTION:
 "B" BLACK "A" GRAY
 "R" RED "O" ORANGE
 "W" WHITE "C" BROWN
 "Y" YELLOW
 "U" BLUE
 "N" GREEN

RCA JACK (16)

P/N	Dimension (m/m)	Pin Hole Layout (Jack Bottom View)	
7701**-48			<p>7701**-48</p>
7701**-49			<p>7701**-49</p>
7701**-50			<p>7701**-50</p>
7701**-51			<p>7701**-51</p>
Schematic Code			
<p>U</p>	<p>V</p>		

ORDERING INFORMATION:

P/N 7701 $\begin{matrix} \text{X} & \text{X} & - & \text{X} & \text{X} & \text{X} & \text{X} \\ \text{1} & \text{2} & & \text{3} & \text{4} & \text{5} & \text{6} \end{matrix}$

- | | |
|---|---|
| <p>1. TERMINAL FINISH:
 "S" SILVER PLATED (STANDARD)
 "G" GOLD FLASH PLATED</p> <p>2. BUSHING FINISH:
 "N" NICKEL PLATED (STANDARD)
 "G" GOLD FLASH PLATED</p> <p>3. JACK CODE:
 "48" SCHEMATIC U ONLY
 "49" SCHEMATIC V ONLY
 "50" SCHEMATIC U ONLY
 "51" SCHEMATIC V ONLY</p> | <p>4. SCHEMATIC CODE:
 U, V</p> <p>5. SHELL FINISH:
 "0" PLASTIC SHELL</p> <p>6. INSULATOR COLOR OPTION:
 "B" BLACK "A" GRAY
 "R" RED "O" ORANGE
 "W" WHITE "C" BROWN
 "Y" YELLOW
 "U" BLUE
 "N" GREEN</p> |
|---|---|