

TRIPLE PORT RCA JACK (1)

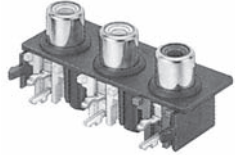
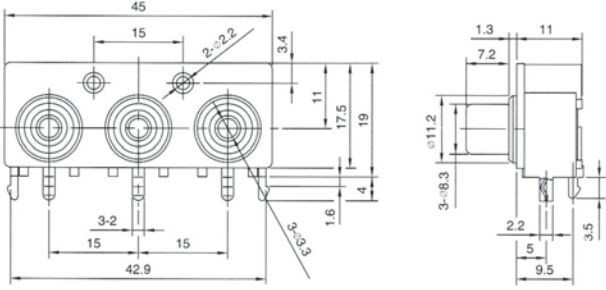
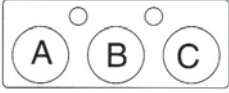
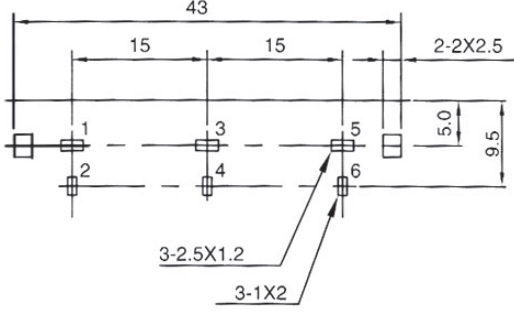
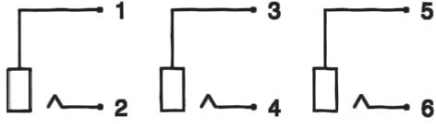
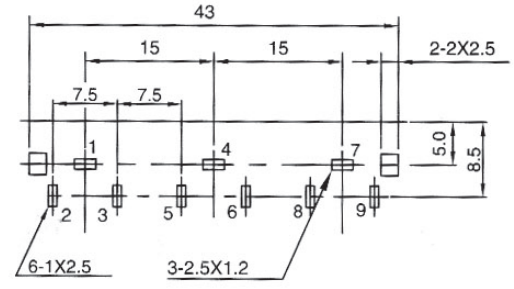
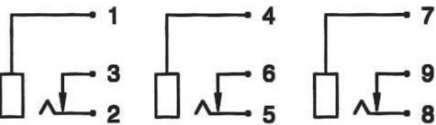
Dimension (m/m)					
		7703**-01			
Schematic Code					
	U	V	W	X	
Pin Hole Layout (Jack Bottom View)					

ORDERING INFORMATION:

P/N 7703 $\frac{XX}{12} - \frac{XXXXXX}{3456}$

- TERMINAL FINISH:
"S" SILVER PLATED (STANDARD)
"G" GOLD FLASH PLATED
- BUSHING FINISH:
"N" NICKEL PLATED (STANDARD)
"G" GOLD FLASH PLATED
- JACK CODE:
01 (SEE DRAWING !)
- SCHEMATIC CODE:
U, V, W, X
- HOUSING COLOR:
"B" BLACK (STANDARD)
- INSULATOR COLORS:
(ARRANGEMENT: T → C → D)
"B" BLACK "A" GRAY
"R" RED "O" ORANGE
"W" WHITE "C" BROWN
"Y" YELLOW
"U" BLUE
"N" GREEN

TRIPLE PORT RCA JACK (2)

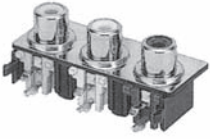
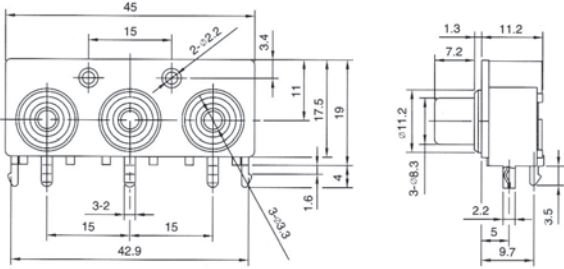
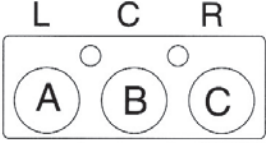
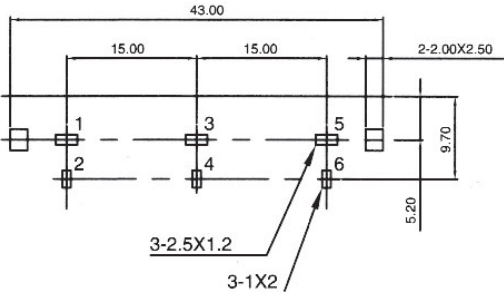
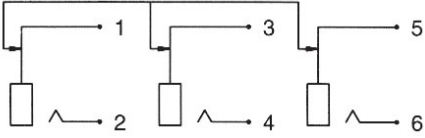
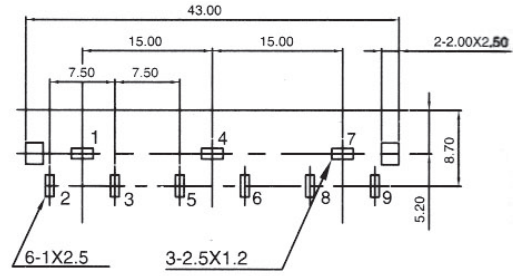
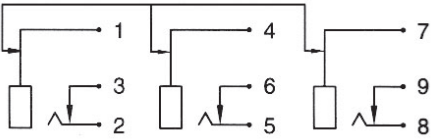
Dimension (m/m)	Insulator Color Code Arrangement	 <p style="text-align: center;">7703**-02</p>
	<p style="text-align: center;">L C R</p> 	
Pin Hole Layout (Jack Bottom View)		Schematic Code
		 <p style="text-align: center;">U</p>
		 <p style="text-align: center;">V</p>

ORDERING INFORMATION:

P/N 7703 $\frac{\text{xx}}{12} - \frac{\text{xxx}}{3} \frac{\text{xxx}}{4} \frac{\text{xxx}}{5} \frac{\text{xxx}}{6}$

- | | |
|--|--|
| <p>1. TERMINAL FINISH:
"S" SILVER PLATED (STANDARD)
"G" GOLD FLASH PLATED</p> <p>2. BUSHING FINISH:
"N" NICKEL PLATED (STANDARD)
"G" GOLD FLASH PLATED</p> <p>3. JACK CODE:
02 (SEE DRAWING !)</p> | <p>4. SCHEMATIC CODE:
U, V</p> <p>5. HOUSING COLOR:
"B" BLACK (STANDARD)</p> <p>6. INSULATOR COLORS:
(ARRANGEMENT: A → B → C)
"B" BLACK "A" GRAY
"R" RED "O" ORANGE
"W" WHITE "C" BROWN
"Y" YELLOW
"U" BLUE
"N" GREEN</p> |
|--|--|

TRIPLE PORT RCA JACK (3)

Dimension (m/m)	Insulator Color Code Arrangement	 7703**-03
		
Pin Hole Layout (Jack Bottom View)		Schematic Code
		 U
		 V

ORDERING INFORMATION:

P/N 7703 $\frac{xx}{12} - \frac{xxx}{3} \frac{xxx}{4} \frac{xxx}{5} \frac{xxx}{6}$

- | | |
|---|--|
| <p>1. TERMINAL FINISH:
 "S" SILVER PLATED (STANDARD)
 "G" GOLD FLASH PLATED</p> <p>2. BUSHING FINISH:
 "N" NICKEL PLATED (STANDARD)
 "G" GOLD FLASH PLATED</p> <p>3. JACK CODE:
 03 (SEE DRAWING !)</p> | <p>4. SCHEMATIC CODE:
 U, V</p> <p>5. HOUSING COLOR:
 "B" BLACK (STANDARD)</p> <p>6. INSULATOR COLORS:
 (ARRANGEMENT: A → B → C)
 "B" BLACK "A" GRAY
 "R" RED "O" ORANGE
 "W" WHITE "C" BROWN
 "Y" YELLOW
 "U" BLUE
 "N" GREEN</p> |
|---|--|

TRIPLE PORT RCA JACK (4)

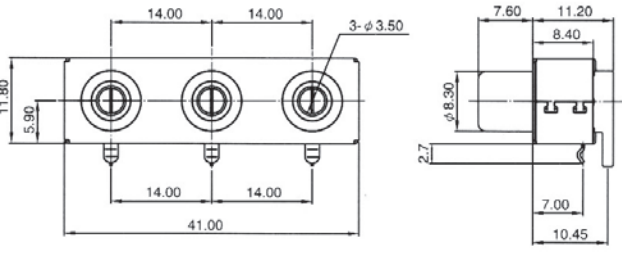
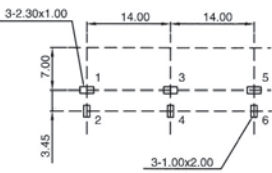
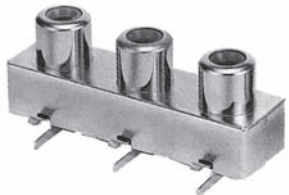
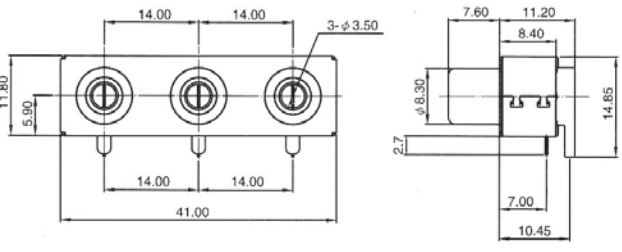
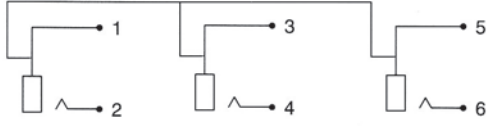
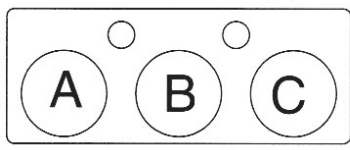
Dimension (m/m)		
		7703**-.04
Pin Hole Layout (Jack Bottom View)	Insulator Color Code Arrangement	
Schematic Code No.		
A	B	C

ORDERING INFORMATION:

P/N 7703 $\frac{xx}{12} - \frac{xxx}{3} \frac{xxx}{4} \frac{xxx}{5} \frac{xxx}{6}$

- | | |
|--|--|
| <p>1. TERMINAL FINISH:
"S" SILVER PLATED (STANDARD)
"G" GOLD FLASH PLATED</p> <p>2. BUSHING FINISH:
"N" NICKEL PLATED (STANDARD)
"G" GOLD FLASH PLATED</p> <p>3. JACK CODE:
04 (SEE DRAWING !)</p> | <p>4. SCHEMATIC CODE:
"0" SEE DRAWING !</p> <p>5. HOUSING COLOR:
"B" BLACK (STANDARD)</p> <p>6. INSULATOR COLORS:
(ARRANGEMENT: A → B → C)
"B" BLACK "A" GRAY
"R" RED "O" ORANGE
"W" WHITE "C" BROWN
"Y" YELLOW
"U" BLUE
"N" GREEN</p> |
|--|--|

TRIPLE PORT RCA JACK (5)

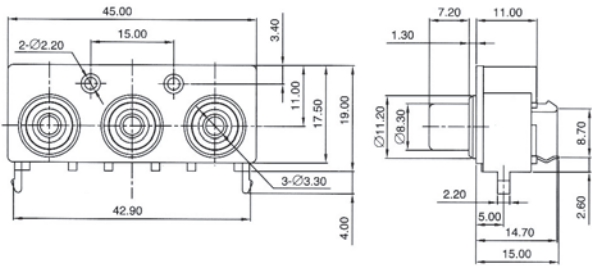
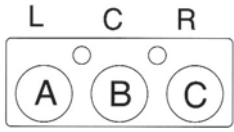
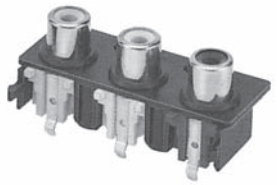
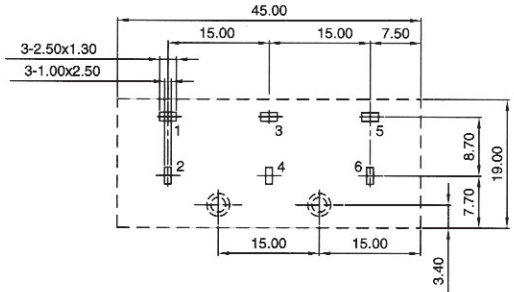
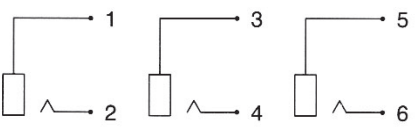
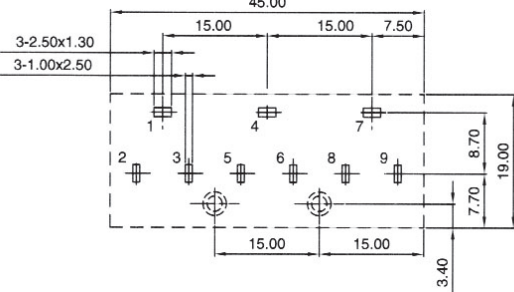
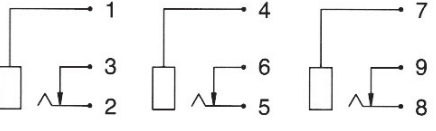
Dimension (m/m)	Pin Hole Layout (Jack Bottom View)	
		 <p style="text-align: center;">7703**-05</p>
		
Schematic Code No.	Insulator Color Code Arrangement	
	<p style="text-align: center;">L C R</p> 	

ORDERING INFORMATION:

P/N 7703 $\frac{xx}{12} - \frac{xxx}{3} \frac{xxx}{4} \frac{xxx}{5} \frac{xxx}{6}$

- | | |
|--|--|
| <ol style="list-style-type: none"> 1. TERMINAL FINISH:
"S" SILVER PLATED (STANDARD)
"G" GOLD FLASH PLATED 2. BUSHING FINISH:
"N" NICKEL PLATED (STANDARD)
"G" GOLD FLASH PLATED 3. JACK CODE:
"05" FLAT TYPE
"12" KINK TYPE | <ol style="list-style-type: none"> 4. SCHEMATIC CODE:
"0" SEE DRAWING ! 5. HOUSING COLOR:
"B" BLACK (STANDARD) 6. INSULATOR COLORS:
(ARRANGEMENT: A → B → C)
"B" BLACK "A" GRAY
"R" RED "O" ORANGE
"W" WHITE "C" BROWN
"Y" YELLOW
"U" BLUE
"N" GREEN |
|--|--|

TRIPLE PORT RCA JACK (6)

Dimension (m/m)	Insulator Color Code Arrangement	
		 <p style="text-align: center;">7703**-06</p>
Pin Hole Layout (Jack Bottom View)	Schematic Code	
	 <p style="text-align: center;">U</p>	
	 <p style="text-align: center;">V</p>	

ORDERING INFORMATION:

P/N 7703 $\frac{xx}{12} - \frac{xxx}{3456} \frac{xxx}{6}$

1. TERMINAL FINISH:
"S" SILVER PLATED (STANDARD)
"G" GOLD FLASH PLATED
2. BUSHING FINISH:
"N" NICKEL PLATED (STANDARD)
"G" GOLD FLASH PLATED
3. JACK CODE:
06 (SEE DRAWING !)
4. SCHEMATIC CODE:
U, V
5. HOUSING COLOR:
"B" BLACK (STANDARD)
6. INSULATOR COLORS:
(ARRANGEMENT: A → B → C)
"B" BLACK "A" GRAY
"R" RED "O" ORANGE
"W" WHITE "C" BROWN
"Y" YELLOW
"U" BLUE
"N" GREEN

TRIPLE PORT RCA JACK (7)

Dimension (m/m)	Insulator Color Code Arrangement	
<p align="center">Pin Hole Layout (Jack Bottom View)</p>		<p align="center">Schematic Code</p>

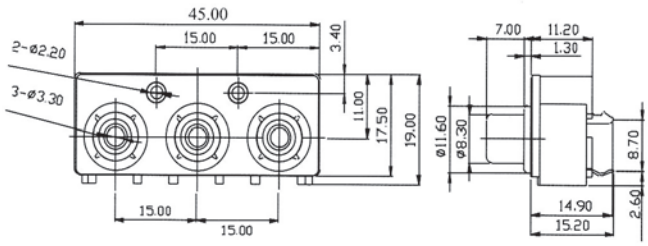
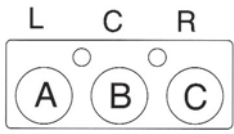
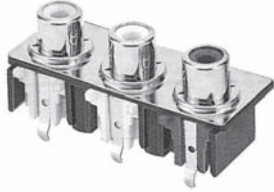
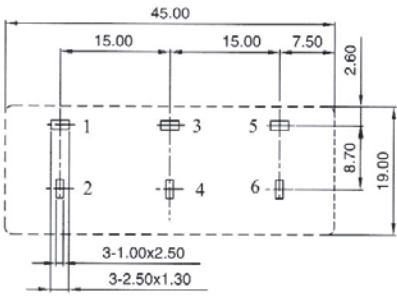
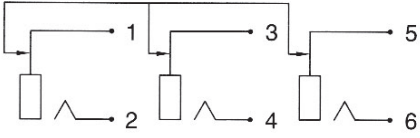
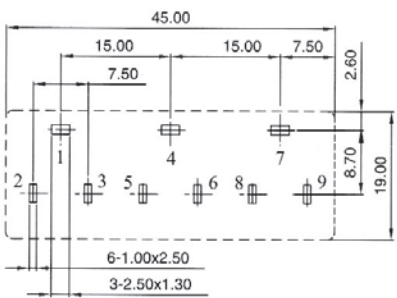
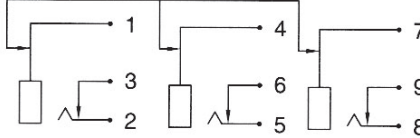
7703-07**

ORDERING INFORMATION:

P/N 7703 $\frac{xx}{12} - \frac{xxx}{3} \frac{xxx}{4} \frac{xxx}{5} \frac{xxx}{6}$

- | | |
|--|---|
| <p>1. TERMINAL FINISH:
"S" SILVER PLATED (STANDARD)
"G" GOLD FLASH PLATED</p> <p>2. BUSHING FINISH:
"N" NICKEL PLATED (STANDARD)
"G" GOLD FLASH PLATED</p> <p>3. JACK CODE:
07 (SEE DRAWING !)</p> | <p>4. SCHEMATIC CODE:
U, V</p> <p>5. HOUSING COLOR:
"B" BLACK (STANDARD)</p> <p>6. INSULATOR COLORS:
(ARRANGEMENT: A → B → C)
"B" BLACK "A" GRAY
"R" RED "O" ORANGE
"W" WHITE "C" BROWN
"Y" YELLOW
"U" BLUE
"N" GREEN</p> |
|--|---|

TRIPLE PORT RCA JACK (8)

Dimension (m/m)	Insulator Color Code Arrangement	
		 <p style="text-align: center;">7703**-08</p>
Pin Hole Layout (Jack Bottom View)	Schematic Code	
	 <p style="text-align: center;">U</p>	
	 <p style="text-align: center;">V</p>	

ORDERING INFORMATION:

P/N 7703 $\frac{1}{2}$ - $\frac{3}{4}$ $\frac{5}{6}$

- | | |
|--|---|
| <p>1. TERMINAL FINISH:
"S" SILVER PLATED (STANDARD)
"G" GOLD FLASH PLATED</p> <p>2. BUSHING FINISH:
"N" NICKEL PLATED (STANDARD)
"G" GOLD FLASH PLATED</p> <p>3. JACK CODE:
08 (SEE DRAWING !)</p> | <p>4. SCHEMATIC CODE:
U, V</p> <p>5. HOUSING COLOR:
"B" BLACK (STANDARD)</p> <p>6. INSULATOR COLORS:
(ARRANGEMENT: A → B → C)
"B" BLACK "A" GRAY
"R" RED "O" ORANGE
"W" WHITE "C" BROWN
"Y" YELLOW
"U" BLUE
"N" GREEN</p> |
|--|---|

TRIPLE PORT RCA JACK (9)

Dimension (m/m)	Insulator Color Code Arrangement	
<p align="center">Pin Hole Layout (Jack Bottom View)</p>		<p align="center">7703**-09</p> <p align="center">Schematic Code</p>

ORDERING INFORMATION:

P/N 7703 $\frac{xx}{12} - \frac{xxx}{3} \frac{xxx}{4} \frac{xxx}{5} \frac{xxx}{6}$

- | | |
|--|---|
| <p>1. TERMINAL FINISH:
"S" SILVER PLATED (STANDARD)
"G" GOLD FLASH PLATED</p> <p>2. BUSHING FINISH:
"N" NICKEL PLATED (STANDARD)
"G" GOLD FLASH PLATED</p> <p>3. JACK CODE:
09 (SEE DRAWING !)</p> | <p>4. SCHEMATIC CODE:
U, V</p> <p>5. HOUSING COLOR:
"B" BLACK (STANDARD)</p> <p>6. INSULATOR COLORS:
(ARRANGEMENT: A → B → C)
"B" BLACK "A" GRAY
"R" RED "O" ORANGE
"W" WHITE "C" BROWN
"Y" YELLOW
"U" BLUE
"N" GREEN</p> |
|--|---|

TRIPLE PORT RCA JACK (10)

P/N	Dimension (m/m)	Schematic Code	Pin Hole Layout (Jack Bottom View)	
7703**-10				
7703**-11				

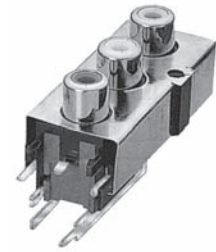
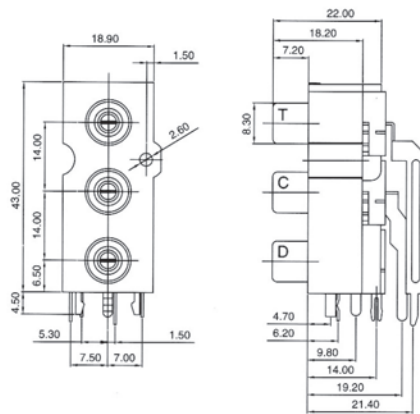
ORDERING INFORMATION:

P/N 7703 $\frac{xx}{12}$ - $\frac{xxx}{3}$ $\frac{xxx}{45}$ $\frac{xxx}{6}$

- TERMINAL FINISH:
"S" SILVER PLATED (STANDARD)
"G" GOLD FLASH PLATED
- BUSHING FINISH:
"N" NICKEL PLATED (STANDARD)
"G" GOLD FLASH PLATED
- JACK CODE:
10, 11 (SEE DRAWING !)
- SCHEMATIC CODE:
"0" SEE DRAWING !
- HOUSING COLOR:
"B" BLACK (STANDARD)
- INSULATOR COLORS:
(ARRANGEMENT: T → C → D)
"B" BLACK "A" GRAY
"R" RED "O" ORANGE
"W" WHITE "C" BROWN
"Y" YELLOW
"U" BLUE
"N" GREEN

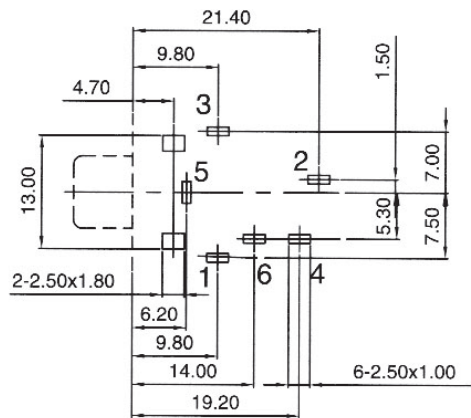
TRIPLE PORT RCA JACK (11)

Dimension (m/m)

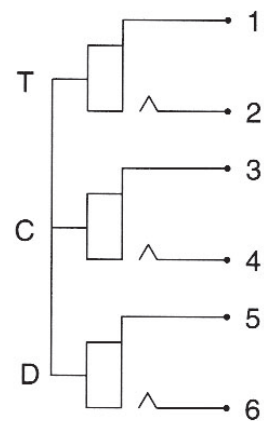


7703**-18

Pin Hole Layout (Jack Bottom View)



Schematic Code



ORDERING INFORMATION:

P/N 7703 $\frac{x}{1} \frac{x}{2} - \frac{x}{3} \frac{x}{4} \frac{x}{5} \frac{x}{6}$

1. TERMINAL FINISH:

"S" SILVER PLATED (STANDARD)
"G" GOLD FLASH PLATED

2. BUSHING FINISH:

"N" NICKEL PLATED (STANDARD)
"G" GOLD FLASH PLATED

3. JACK CODE:

18 (SEE DRAWING !)

4. SCHEMATIC CODE:

"0" SEE DRAWING !

5. HOUSING COLOR:

"B" BLACK (STANDARD)

6. INSULATOR COLORS:

(ARRANGEMENT: T → C → D)

"B" BLACK

"A" GRAY

"R" RED

"O" ORANGE

"W" WHITE

"C" BROWN

"Y" YELLOW

"U" BLUE

"N" GREEN