

SIX PORT RCA JACK (1)

P/N	Dimension (m/m)																				
7706**-09			<p style="text-align: center;">7706**-09</p>																		
7706**-10			<p style="text-align: center;">7706**-10</p>																		
Pin Hole Layout (Jack Bottom View)		Schematic	Insulator Color Code Arrangement																		
		<table border="1" style="width: 100%; text-align: center;"> <tr> <td style="width: 33%;">L</td> <td style="width: 33%;">C</td> <td style="width: 33%;">R</td> </tr> <tr> <td></td> <td></td> <td></td> </tr> <tr> <td></td> <td></td> <td></td> </tr> <tr> <td>L</td> <td>C</td> <td>R</td> </tr> </table>	L	C	R							L	C	R	<table border="1" style="width: 100%; text-align: center;"> <tr> <td style="width: 33%;">L</td> <td style="width: 33%;">C</td> <td style="width: 33%;">R</td> </tr> <tr> <td></td> <td></td> <td></td> </tr> </table>	L	C	R			
L	C	R																			
L	C	R																			
L	C	R																			

ORDERING INFORMATION:

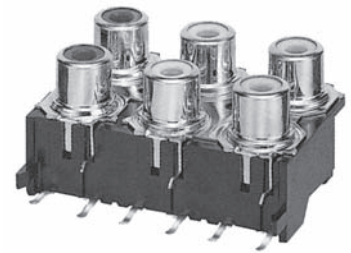
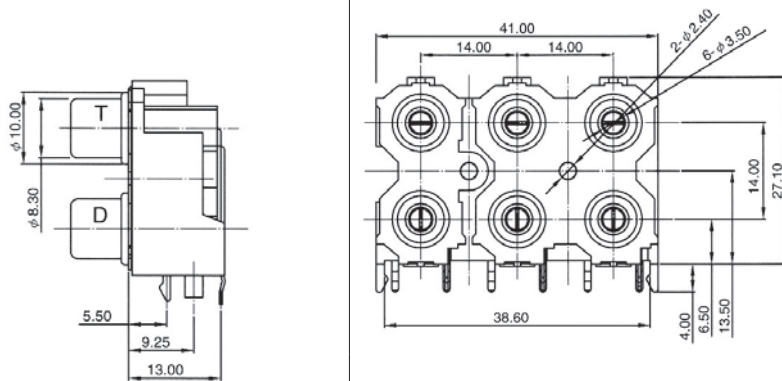
P/N 7706 xx - xx xxxxxx

1 2 3 4

- | | | | | | | | | | | | | | |
|---|---|-----------|----------|---------|------------|-----------|-----------|------------|--|----------|--|-----------|--|
| <p>1. TERMINAL FINISH:
 "S" SILVER PLATED (STANDARD)
 "G" GOLD FLASH PLATED</p> <p>2. BUSHING FINISH:
 "N" NICKEL PLATED (STANDARD)
 "G" GOLD FLASH PLATED</p> <p>3. JACK CODE:
 09, 10 (SEE DRAWING !)</p> | <p>4. INSULATOR COLORS:
 (ARRANGEMENT: T1→ D1→ T2→
 D2→ T3→ D3)</p> <table border="0" style="width: 100%;"> <tr> <td>"B" BLACK</td> <td>"A" GRAY</td> </tr> <tr> <td>"R" RED</td> <td>"O" ORANGE</td> </tr> <tr> <td>"W" WHITE</td> <td>"C" BROWN</td> </tr> <tr> <td>"Y" YELLOW</td> <td></td> </tr> <tr> <td>"U" BLUE</td> <td></td> </tr> <tr> <td>"N" GREEN</td> <td></td> </tr> </table> | "B" BLACK | "A" GRAY | "R" RED | "O" ORANGE | "W" WHITE | "C" BROWN | "Y" YELLOW | | "U" BLUE | | "N" GREEN | |
| "B" BLACK | "A" GRAY | | | | | | | | | | | | |
| "R" RED | "O" ORANGE | | | | | | | | | | | | |
| "W" WHITE | "C" BROWN | | | | | | | | | | | | |
| "Y" YELLOW | | | | | | | | | | | | | |
| "U" BLUE | | | | | | | | | | | | | |
| "N" GREEN | | | | | | | | | | | | | |

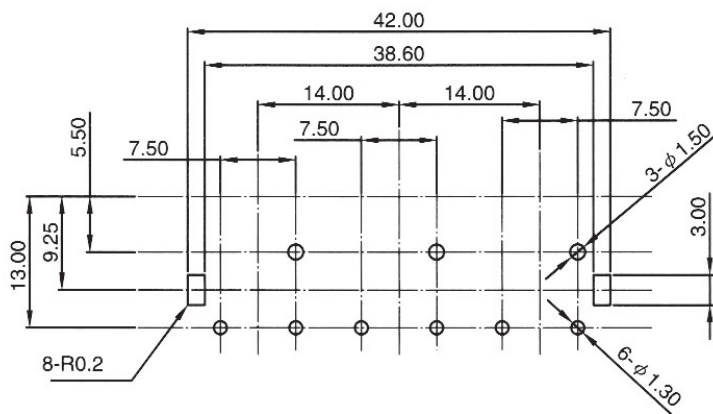
SIX PORT RCA JACK (2)

Dimension (m/m)



7706** -11

Pin Hole Layout (Jack Bottom View)



Schematic Code



L C R

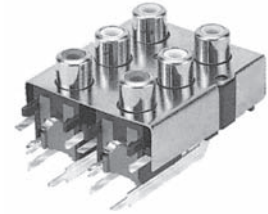
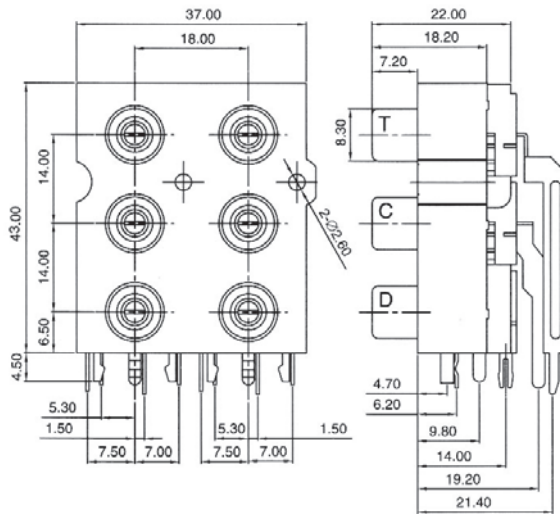
ORDERING INFORMATION:

P/N 7706 xx - xxxxxxx
_{1 2 3 4}

- | | |
|---|---|
| <p>1. TERMINAL FINISH:
 "S" SILVER PLATED (STANDARD)
 "G" GOLD FLASH PLATED</p> <p>2. BUSHING FINISH:
 "N" NICKEL PLATED (STANDARD)
 "G" GOLD FLASH PLATED</p> <p>3. JACK CODE:
 11 (SEE DRAWING !)</p> | <p>4. INSULATOR COLORS:
 (ARRANGEMENT: T1→ D1→ T2→
 D2→ T3→ D3)
 "B" BLACK "A" GRAY
 "R" RED "O" ORANGE
 "W" WHITE "C" BROWN
 "Y" YELLOW
 "U" BLUE
 "N" GREEN</p> |
|---|---|

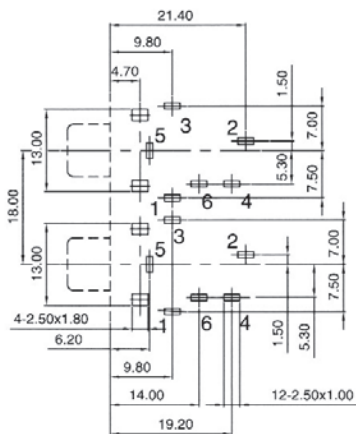
SIX PORT RCA JACK (3)

Dimension (m/m)

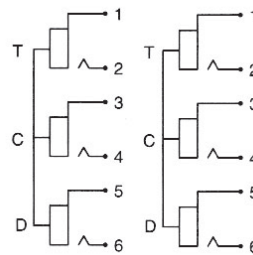


7706***-18

Pin Hole Layout (Jack Bottom View)



Schematic Code



L R

ORDERING INFORMATION:

P/N 7706 $\frac{xx}{12} - \frac{xxxx}{34}$

- TERMINAL FINISH:
"S" SILVER PLATED (STANDARD)
"G" GOLD FLASH PLATED
- BUSHING FINISH:
"N" NICKEL PLATED (STANDARD)
"G" GOLD FLASH PLATED
- JACK CODE:
18 (SEE DRAWING !)
- INSULATOR COLORS:
(ARRANGEMENT: T → C → D)
"B" BLACK "A" GRAY
"R" RED "O" ORANGE
"W" WHITE "C" BROWN
"Y" YELLOW
"U" BLUE
"N" GREEN

SIX PORT RCA JACK (4)

P/N	Dimension (m/m)																				
7706**-12			<p style="text-align: center;">7706**-12</p>																		
7706**-13			<p style="text-align: center;">7706**-13</p>																		
Pin Hole Layout (Jack Bottom View)		Schematic	Insulator Color Code Arrangement																		
		<table border="1" style="width: 100%; text-align: center;"> <thead> <tr> <th>L</th> <th>C</th> <th>R</th> </tr> </thead> <tbody> <tr> <td></td> <td></td> <td></td> </tr> <tr> <td>1</td> <td>4</td> <td>7</td> </tr> <tr> <td>L</td> <td>C</td> <td>R</td> </tr> </tbody> </table>	L	C	R				1	4	7	L	C	R	<table border="1" style="width: 100%; text-align: center;"> <thead> <tr> <th>L</th> <th>C</th> <th>R</th> </tr> </thead> <tbody> <tr> <td></td> <td></td> <td></td> </tr> </tbody> </table>	L	C	R			
L	C	R																			
1	4	7																			
L	C	R																			
L	C	R																			

ORDERING INFORMATION:

P/N 7706 xx - xx xxxxxxx

1 2 3 4

1. TERMINAL FINISH:
"S" SILVER PLATED (STANDARD)
"G" GOLD FLASH PLATED
2. BUSHING FINISH:
"N" NICKEL PLATED (STANDARD)
"G" GOLD FLASH PLATED
3. JACK CODE:
12, 13 (SEE DRAWING !)

4. INSULATOR COLORS:
(ARRANGEMENT: T1→ D1→ T2→
D2→ T3→ D3)
"B" BLACK "A" GRAY
"R" RED "O" ORANGE
"W" WHITE "C" BROWN
"Y" YELLOW
"U" BLUE
"N" GREEN

SIX PORT RCA JACK (5)

P/N	Dimension (m/m)		
7706**-14			
7706**-15			
Pin Hole Layout (Jack Bottom View)		Schematic	Insulator Color Code Arrangement
		<p style="text-align: center;">L C R</p> <p style="text-align: center;">L C R</p>	<p style="text-align: center;">L C R</p>

ORDERING INFORMATION:

P/N 7706 xx - xx xxxxxxx

1 2 3 4

- | | |
|---|--|
| <p>1. TERMINAL FINISH:
 "S" SILVER PLATED (STANDARD)
 "G" GOLD FLASH PLATED</p> <p>2. BUSHING FINISH:
 "N" NICKEL PLATED (STANDARD)
 "G" GOLD FLASH PLATED</p> <p>3. JACK CODE:
 14, 15 (SEE DRAWING !)</p> | <p>4. INSULATOR COLORS:
 (ARRANGEMENT: T1→ D1→ T2→
 D2→ T3→ D3)</p> <p>"B" BLACK "A" GRAY
 "R" RED "O" ORANGE
 "W" WHITE "C" BROWN
 "Y" YELLOW
 "U" BLUE
 "N" GREEN</p> |
|---|--|

SIX PORT RCA JACK (6)

P/N	Dimension (m/m)		
7706**-16			
7706**-17			
Pin Hole Layout (Jack Bottom View)		Schematic	Insulator Color Code Arrangement

ORDERING INFORMATION:

P/N 7706 xx - xx xxxxxxx

1 2 3 4

- | | |
|---|---|
| <p>1. TERMINAL FINISH:
 "S" SILVER PLATED (STANDARD)
 "G" GOLD FLASH PLATED</p> <p>2. BUSHING FINISH:
 "N" NICKEL PLATED (STANDARD)
 "G" GOLD FLASH PLATED</p> <p>3. JACK CODE:
 16, 17 (SEE DRAWING !)</p> | <p>4. INSULATOR COLORS:
 (ARRANGEMENT: T1→ D1→ T2→
 D2→ T3→ D3)</p> <p>"B" BLACK "A" GRAY
 "R" RED "O" ORANGE
 "W" WHITE "C" BROWN
 "Y" YELLOW
 "U" BLUE
 "N" GREEN</p> |
|---|---|