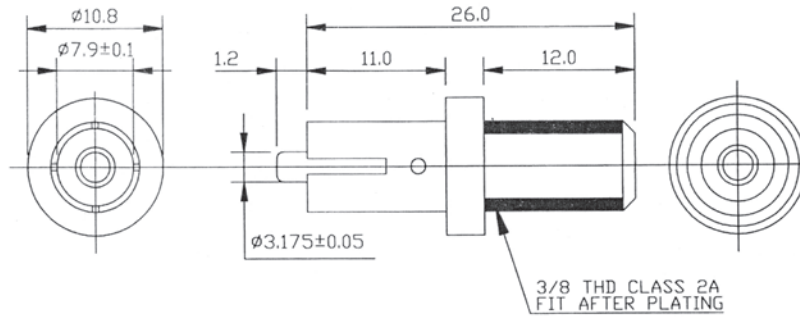


PHONO ADAPTOR CONNECTOR (1)

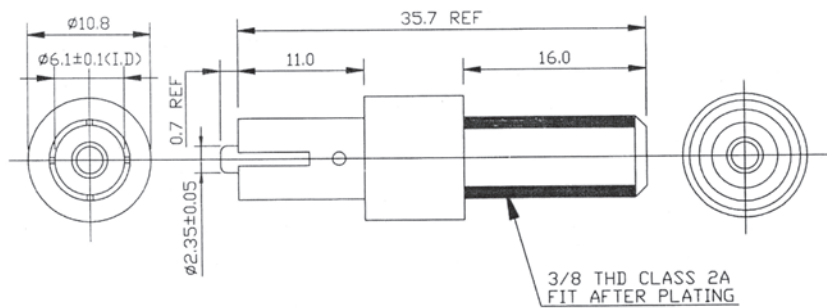
8001N-80

8001G-80



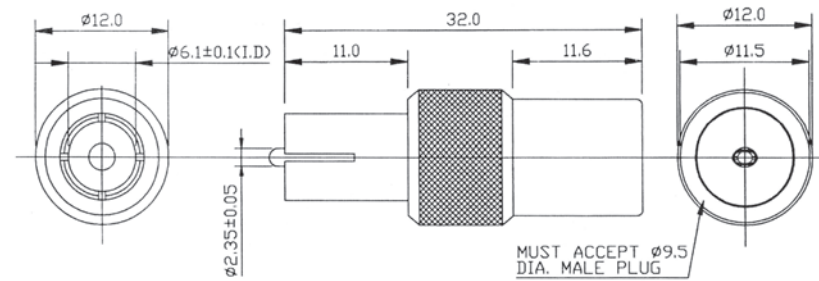
8001N-81

8001G-81



8001N-82

8001G-82



ORDERING INFORMATION:

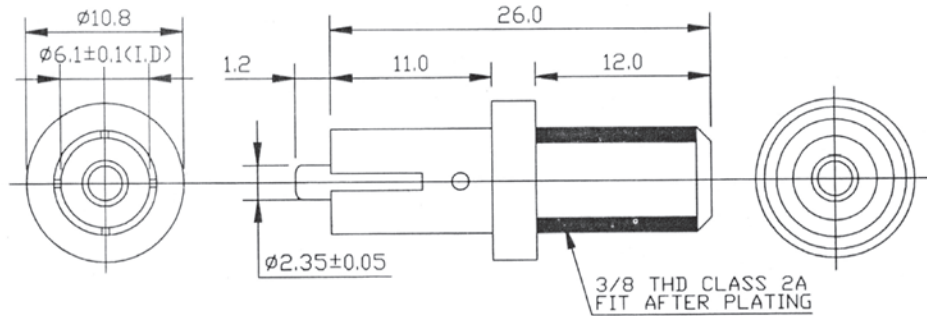
P/N 8001 $\frac{x}{1} - \frac{xx}{2}$

1. ADAPTOR FINISH:
 "N" NICKEL PLATED
 "G" GOLD PLATED
2. ADAPTOR TYPE:
 "80" MINI RCA PLUG TO F JACK
 "81" MINI RCA PLUG TO F JACK
 "82" MINI RCA PLUG TO IEC (EUROPEAN) JACK

PHONO ADAPTOR CONNECTOR (2)

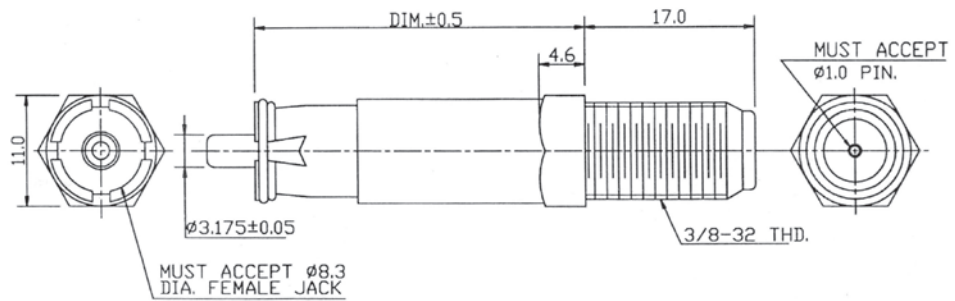
8001N-80

8001G-80



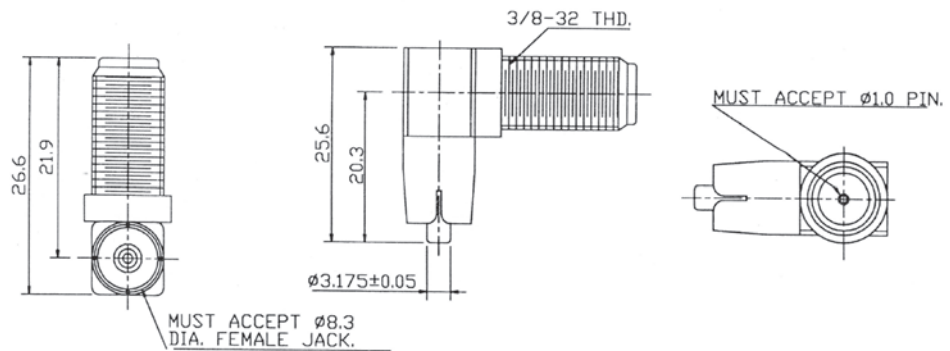
8001N-81

8001G-81



8001N-82

8001G-82



ORDERING INFORMATION:

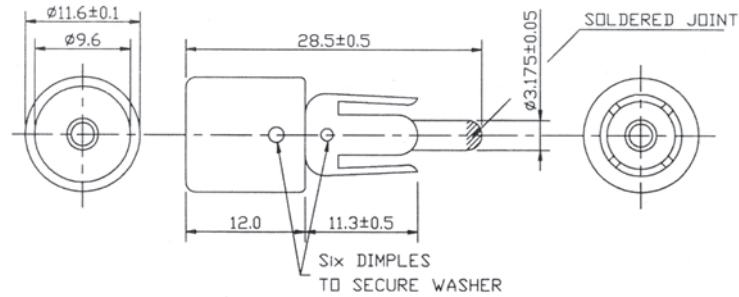
P/N 8001 $\frac{x}{1} - \frac{xx}{2}$

1. ADAPTOR FINISH:
"N" NICKEL PLATED
"G" GOLD PLATED
2. ADAPTOR TYPE:
"83" RCA PLUG TO F JACK
"86" RCA PLUG TO F JACK
"87" RCA PLUG TO F JACK R/A TYPE

PHONO ADAPTOR CONNECTOR (3)

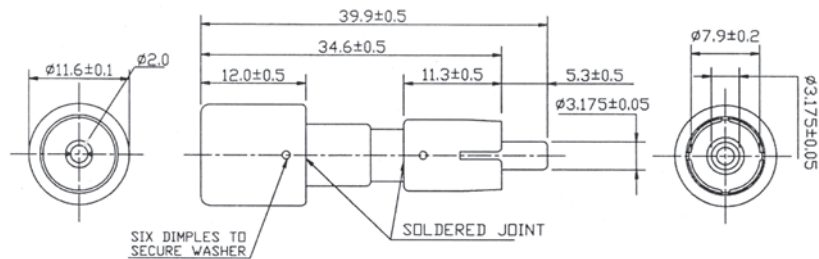
8001N-84

8001G-84



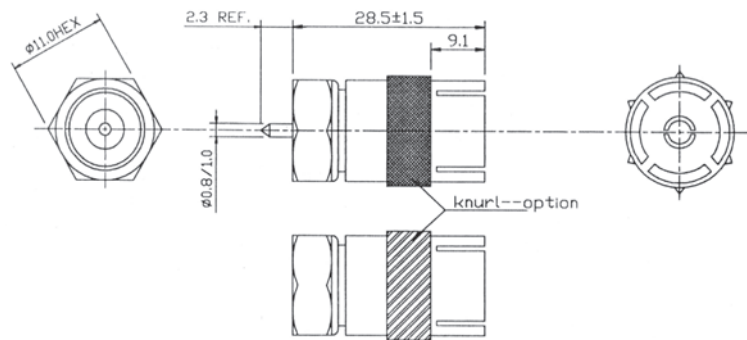
8001N-85

8001G-85



8001N-91

8001G-91



ORDERING INFORMATION:

P/N 8001 $\frac{x}{1} - \frac{xx}{2}$

1. ADAPTOR FINISH:

"N" NICKEL PLATED

"G" GOLD PLATED

2. ADAPTOR TYPE:

"84" RCA PLUG TO IEC (EUROPEAN) JACK

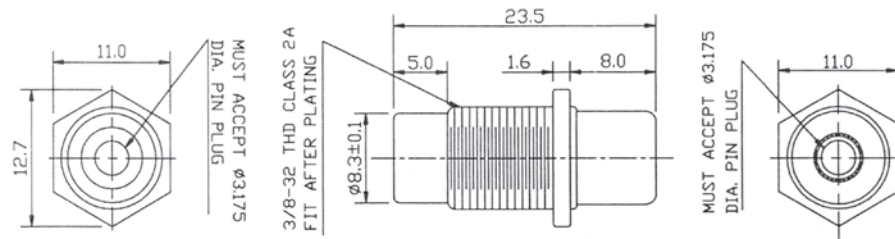
"85" RCA PLUG TO IEC (EUROPEAN) JACK

"91" F PLUG TO IEC (EUROPEAN) JACK

PHONO ADAPTOR CONNECTOR (4)

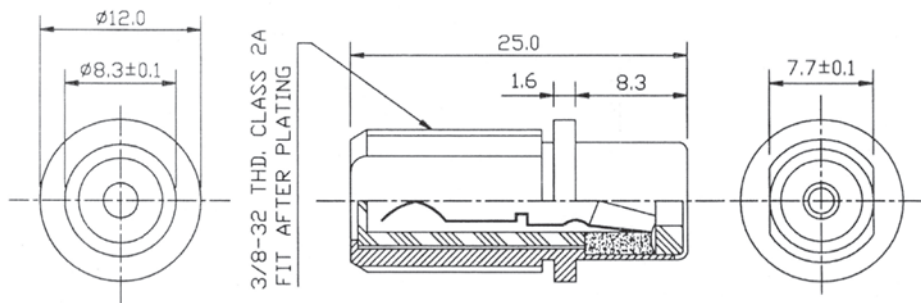
8001N-88

8001G-88



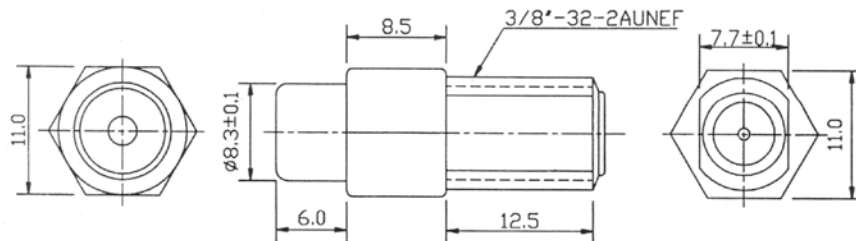
8001N-89

8001G-89



8001N-90

8001G-90



ORDERING INFORMATION:

P/N 8001 $\frac{x}{1} - \frac{xx}{2}$

1. ADAPTOR FINISH:
 "N" NICKEL PLATED
 "G" GOLD PLATED
2. ADAPTOR TYPE:
 "88" RCA JACK TO RCA JACK
 "89" RCA JACK TO F JACK
 "90" RCA JACK TO F JACK