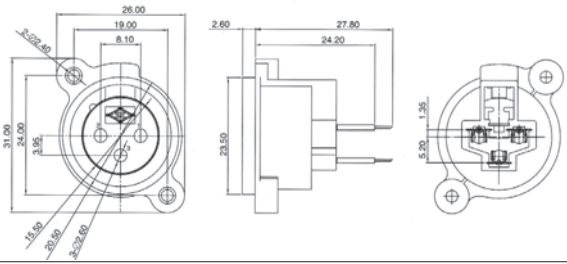
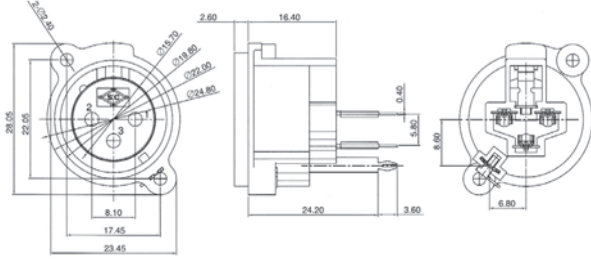
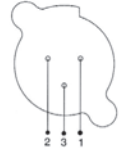
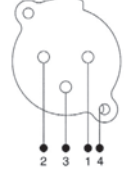
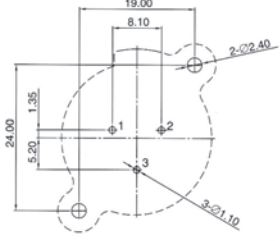


## XLR 3 PIN STRAIGHT PCB MOUNT JACK

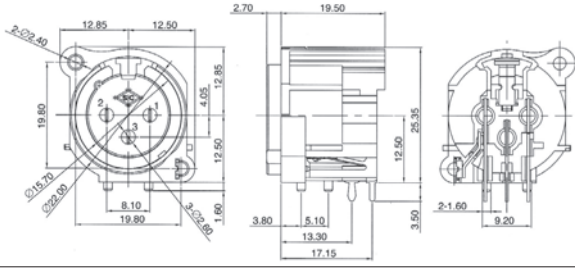
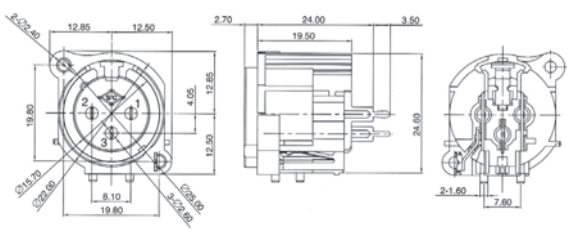
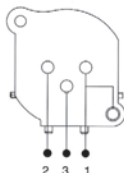
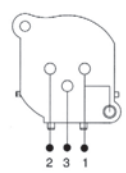
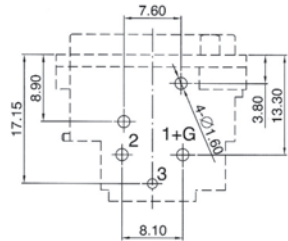
		<p><b>SPECIFICATIONS</b></p> <p><b>1. Rating:</b> 100VAC 1A (max.) 12VDC 2A (max.)</p> <p><b>2. Dielectric withstanding voltage:</b> 500VAC, 60Hz for 1 minute</p> <p><b>3. Insulation resistance (initial):</b> 100MΩ (min.) at 500V DC</p> <p><b>4. Contact resistance (initial):</b> 30mΩ (max.) at AC 100mA (max.) 1 KHz</p> <p><b>5. Insertion &amp; Extraction force:</b> Initial : 4.5kgs (max.) Extraction force: 0.9 to 3.0kgs</p> <p><b>MATERIALS</b></p> <p><b>1. Insulator:</b> PBT(Black, UL94V-0)</p> <p><b>2. Contact:</b> Phosphor bronze.</p> <p><b>3. Metal Shell:</b> Copper alloy</p> <p><b>All materials must be RoHS compliant.</b></p>
<p><b>8891-3NGP</b></p>		
		
<p><b>8892-3NGP</b></p>		
<p><b>SCHEMATIC CODE</b></p>		
	<p><b>HOLE LAYOUT</b></p>	
<p><b>8891-3NGP</b></p>		<p><b>8892-3NGP</b></p>

### ORDERING INFORMATION:

P/N 88  $\frac{x}{1}$   $\frac{x}{2}$  -  $\frac{3}{3}$  N G P

1. CONNECTOR TYPE:  
"91" ALL PLASTIC STRAIGHT TYPE JACK (FEMALE)  
"92" ALL PLASTIC STRAIGHT TYPE JACK (FEMALE)
2. NO. OF CONTACTS:  
"3" 3 PINS
3. TERMINAL PLATING:  
"G" GOLD PLATED

## XLR 3 PIN R/A PCB MOUNT JACK

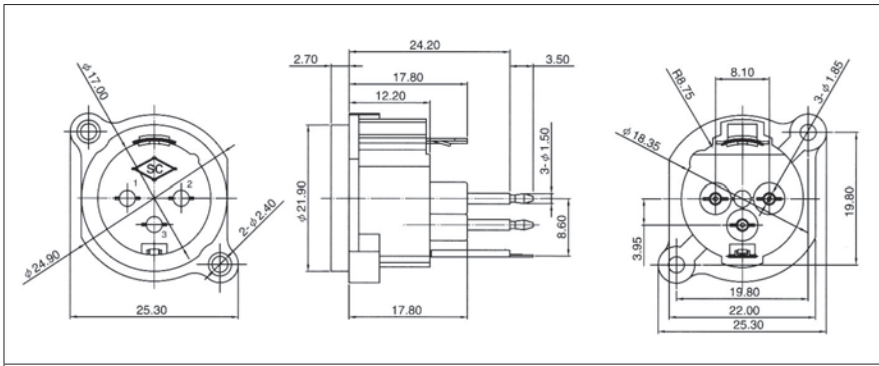
		<p><b>SPECIFICATIONS</b></p> <p><b>1. Rating:</b> 100VAC 1A (max.) 12VDC 2A (max.)</p> <p><b>2. Dielectric withstanding voltage:</b> 500VAC, 60Hz for 1 minute</p> <p><b>3. Insulation resistance (initial):</b> 100MΩ (min.) at 500V DC</p> <p><b>4. Contact resistance (initial):</b> 30mΩ (max.) at AC 100mA (max.) 1 KHz</p> <p><b>5. Insertion &amp; Extraction force:</b> Initial : 4.5kgs (max.) Extraction force: 0.9 to 3.0kgs</p> <p><b>MATERIALS</b></p> <p><b>1. Insulator:</b> PBT(Black, UL94V-0)</p> <p><b>2. Contact:</b> Phosphor bronze.</p> <p><b>3. Metal Shell:</b> Copper alloy</p> <p><b>All materials must be RoHS compliant.</b></p>
<p><b>8893-3NGP</b></p>		
		
<p><b>8894-3NGP</b></p>		
<p><b>SCHEMATIC CODE</b></p>		
	<p><b>HOLE LAYOUT</b></p>	
<p><b>8893-3NGP</b></p>		<p><b>8894-3NGP</b></p>

### ORDERING INFORMATION:

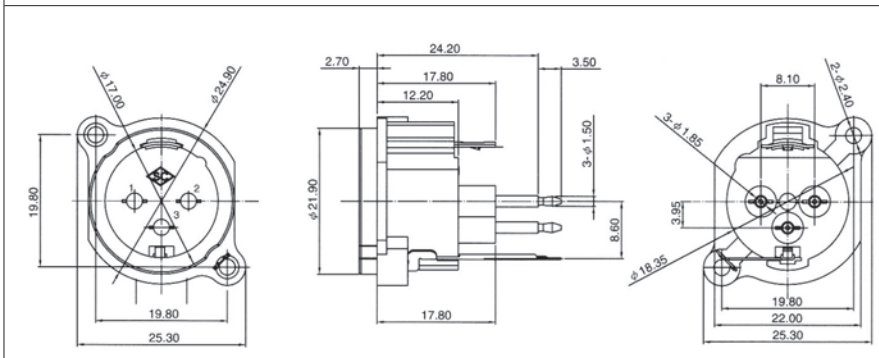
P/N 88  $\frac{x}{1}$   $\frac{x}{2}$  -  $\frac{3}{3}$  N G P

1. CONNECTOR TYPE:  
"93" ALL PLASTIC RIGHT ANGLE TYPE JACK (FEMALE)  
"94" ALL PLASTIC RIGHT ANGLE TYPE JACK (FEMALE)
2. NO. OF CONTACTS:  
"3" 3 PINS
3. TERMINAL PLATING:  
"G" GOLD PLATED

## XLR 3 PIN STRAIGHT PCB MOUNT PLUG



**8901-3NGP**



**8902-3NGP**

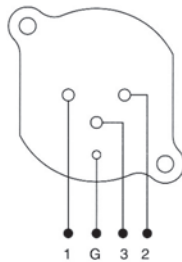
### SPECIFICATIONS

1. **Rating:** 100VAC 1A (max.)  
12VDC 2A (max.)
2. **Dielectric withstanding voltage:**  
500VAC, 60Hz for 1 minute
3. **Insulation resistance (initial):**  
100MΩ (min.) at 500V DC
4. **Contact resistance (initial):**  
30mΩ (max.) at AC 100mA (max.) 1 KHz
5. **Insertion & Extraction force:**  
Initial : 4.5kgs (max.)  
Extraction force: 0.9 to 3.0kgs

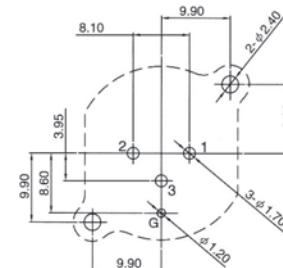
### MATERIALS

1. **Insulator:** PBT(Black, UL94V-0)
  2. **Contact:** Phosphor bronze.
  3. **Metal Shell:** Copper alloy
- All materials must be RoHS compliant.

### SCHEMATIC CODE



### HOLE LAYOUT

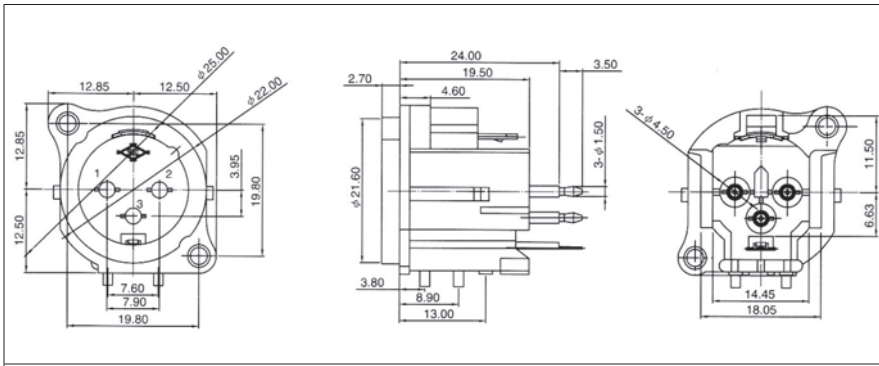


### ORDERING INFORMATION:

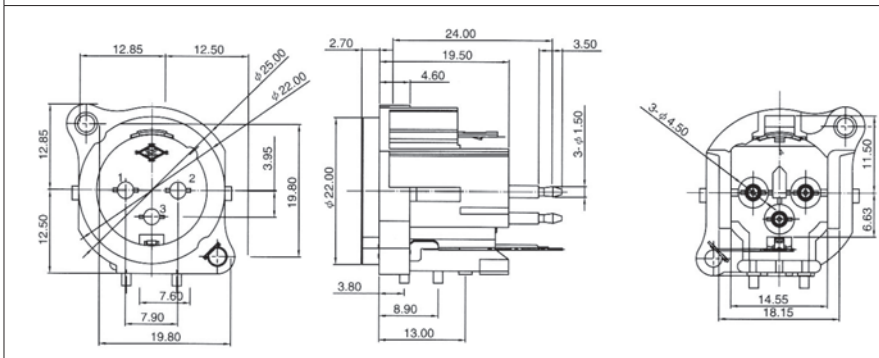
P/N 89  $\frac{xx}{1}$  -  $\frac{3}{2}$   $\frac{NGP}{3}$

1. **CONNECTOR TYPE:**  
"01" ALL PLASTIC STRAIGHT TYPE PLUG (MALE)  
"02" DITTO, BUT FIXED HOLE WITH GROUNDING PIN
2. **NO. OF CONTACTS:**  
"3" 3 PINS
3. **TERMINAL PLATING:**  
"G" GOLD PLATED

## XLR 3 PIN STRAIGHT PCB MOUNT PLUG



**8903-3NGP**



**8904-3NGP**

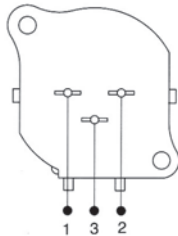
### SPECIFICATIONS

1. **Rating:** 100VAC 1A (max.)  
12VDC 2A (max.)
2. **Dielectric withstanding voltage:**  
500VAC, 60Hz for 1 minute
3. **Insulation resistance (initial):**  
100MΩ (min.) at 500V DC
4. **Contact resistance (initial):**  
30mΩ (max.) at AC 100mA (max.) 1 KHz
5. **Insertion & Extraction force:**  
Initial : 4.5kgs (max.)  
Extraction force: 0.9 to 3.0kgs

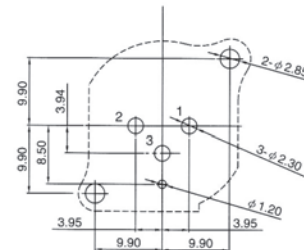
### MATERIALS

1. **Insulator:** PBT(Black, UL94V-0)
  2. **Contact:** Phosphor bronze.
  3. **Metal Shell:** Copper alloy
- All materials must be RoHS compliant.

### SCHEMATIC CODE



### HOLE LAYOUT

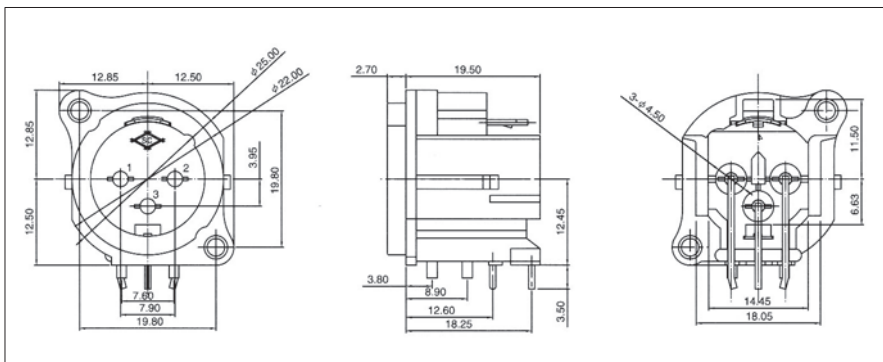


## ORDERING INFORMATION:

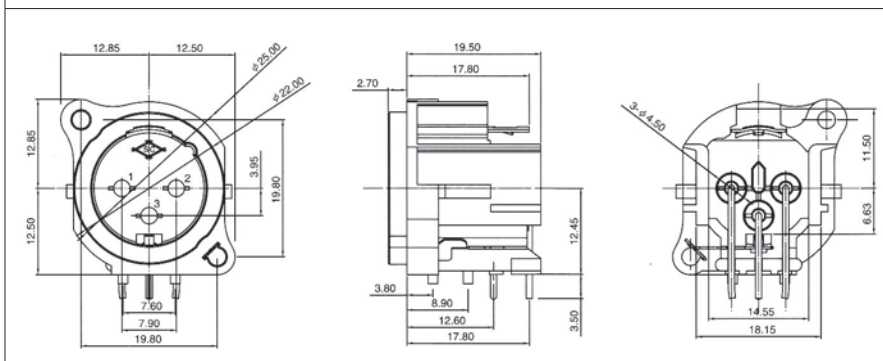
P/N 89  $\frac{xx}{1}$  -  $\frac{3}{2}$  N  $\frac{G}{3}$  P

1. **CONNECTOR TYPE:**  
"03" ALL PLASTIC STRAIGHT TYPE PLUG (MALE)  
"04" DITTO, BUT FIXED HOLE WITH GROUNDING PIN
2. **NO. OF CONTACTS:**  
"3" 3 PINS
3. **TERMINAL PLATING:**  
"G" GOLD PLATED

## XLR 3 PIN RIGHT ANGLE PCB MOUNT PLUG



**8905-3NGP**



**8906-3NGP**

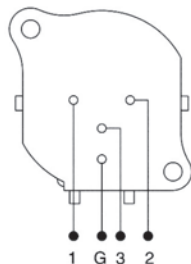
### SPECIFICATIONS

1. **Rating:** 100VAC 1A (max.)  
12VDC 2A (max.)
2. **Dielectric withstanding voltage:**  
500VAC, 60Hz for 1 minute
3. **Insulation resistance (initial):**  
100MΩ (min.) at 500V DC
4. **Contact resistance (initial):**  
30mΩ (max.) at AC 100mA (max.) 1 KHz
5. **Insertion & Extraction force:**  
Initial : 4.5kgs (max.)  
Extraction force: 0.9 to 3.0kgs

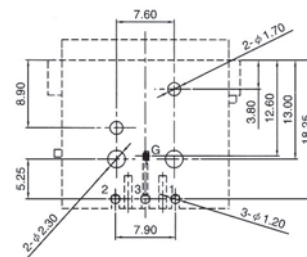
### MATERIALS

1. **Insulator:** PBT(Black, UL94V-0)
  2. **Contact:** Phosphor bronze.
  3. **Metal Shell:** Copper alloy
- All materials must be RoHS compliant.

### SCHEMATIC CODE



### HOLE LAYOUT



## ORDERING INFORMATION:

P/N 89  $\frac{xx}{1}$  -  $\frac{3}{2}$  N G P

1. **CONNECTOR TYPE:**  
"05" ALL PLASTIC STRAIGHT TYPE PLUG (MALE)  
"06" DITTO, BUT FIXED HOLE WITH GROUNDING PIN
2. **NO. OF CONTACTS:**  
"3" 3 PINS
3. **TERMINAL PLATING:**  
"G" GOLD PLATED