



## How to order 如何订购

订购接插件的步骤如下

### 1. 接插体公插

公插接线形式有：螺钉压接、冷压针压接（冷压针需要单独订购）和弹片压接形式。

### 2. 接插体母插

母插接线形式有：螺钉压接、冷压针压接（冷压针需要单独订购）和弹片压接形式。

### 3. 防护外壳上壳

外壳上壳形式有：低结构或高结构、侧面或顶部出线、2耳或4耳、单扣或双扣形式。

### 4. 底座

开孔安装底座：带或不带保护盖、单扣或双扣形式。

表面安装底座：低结构或高结构、带或不带保护盖、2耳或4耳、单扣或双扣、1个或2个出线孔形式。

### 5. 电缆进线保护

带单层或多层密封圈的平口接头

金属或塑料电缩接头

特殊电缆保护附件

### 6. 其他附件

各种类型的金属及塑料保护盖、编码销、导柜安装框架。

For a complete connector components may be order from the following sub headings

#### Mala insart

Male insert with screw terminal, crimp terminal (order contacts separately) or cage-clamp terminal.

#### Female insert

Female insert with screw terminal, crimp terminal (order contacts separately) or cage-clamp terminal.

#### Hoods

Hoods with low or high construction, side or top cable entry, 2 or 4 bolts, 1 or 2 locking levers.

#### Housings

Bulkhead mounting housings with or without protection cover, 1 or 2 locking levers.

Surface mounting housings with low or high construction, with or without protection cover, 2 or 4 bolts, 1 or 2 locking levers, 1 or 2 cable entries.

#### Cable entry protection

Cable glands with normal or multiple sealing.

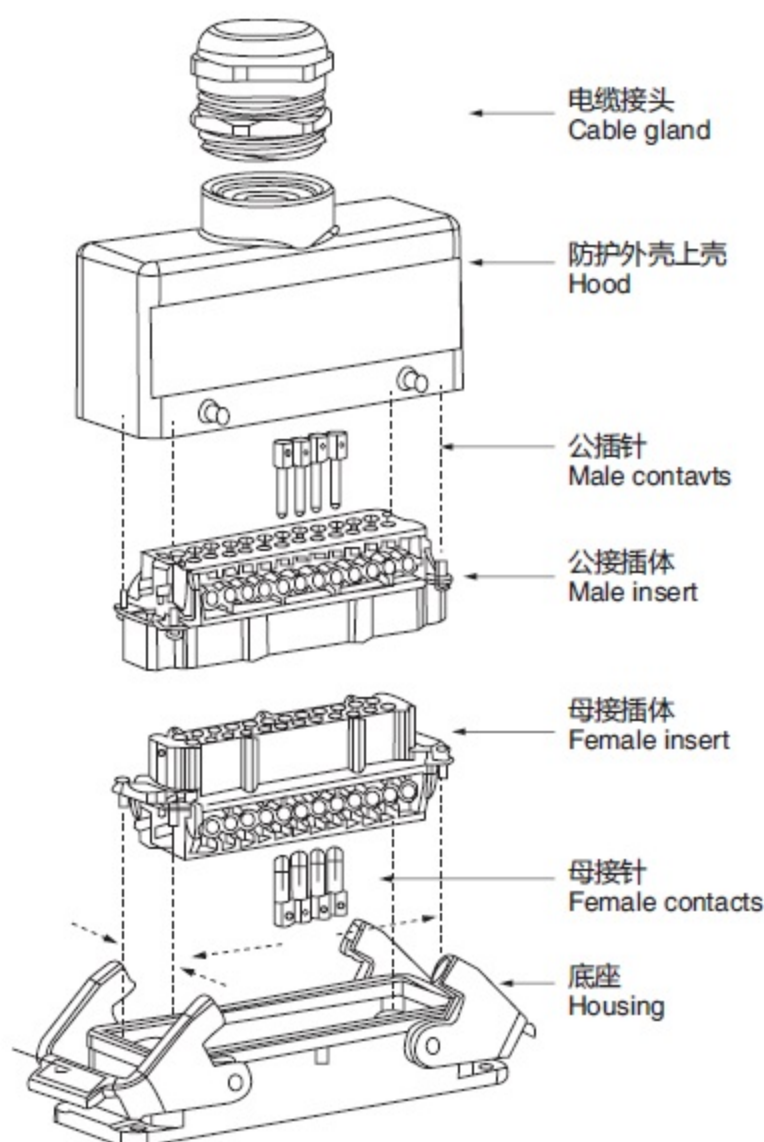
Metal or plastic cable glands.

Special cable entry protection or extensive range of accessories.

#### Accessories.

Protection cover available, code and guide pins for coding inserts fixing screws for use without hoods and housings.

## 接插件安装示意图 Assembly details



## 防护外壳型号说明 List of hoods and housings

Enterprise code	UTL	H24B	SGR	LB	PG21
					PG21 螺纹 PG21 Thread
				单扣 single locking lever	
			表面安装底座 Surface mounting housing		
		系列 Series			
企业代号 Enterprise code					
AG					双扣, 开孔底座 Bulkhead mounting housing
AG-LB					单扣, 开孔底座 Bulkhead mounting housing with single locking lever
AD					4耳, 带盖开孔底座 Bulkhead mounting housing with cover, bolts
-BO					单扣, 带盖开孔底座 Bulkhead mounting housing with cover, single locking lever
AD-LB					双扣, 表面安装底座 Surface mounting housing
SGR					高结构带盖表面安装底座 Surface mounting housing with cover
SDRH					4耳, 侧出上壳 Side entry hood
TS					4耳, 高结构侧出上壳 High construction side entry hood
TSH					4耳, 顶出上壳 Top entry hood
TG					4耳, 高结构顶出上壳 High construction top entry hood
TGH					4耳, 高结构顶出上壳 High construction top entry hood
TSB					双扣, 侧出上壳 Side entry double locking lever hood
TGB					双扣, 顶出上壳 Top entry, double locking lever hood
TBF					双扣, 电缆对接下壳 Cable coupler hood



# Selection guide 产品选型指南

## 在选择插件时，需要

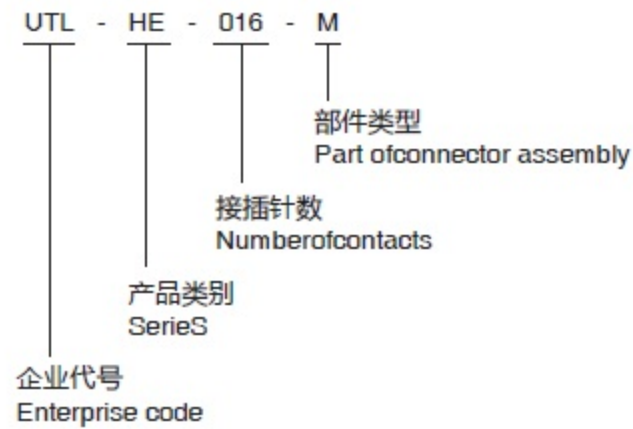
- 额定电压电流
- 回路数【接插件针数】
- 外壳形式（防护外壳上壳及底座的选择）
- 附件（主要为电缆接头的选择）

## When selecting heavy duty connector, we need to choose as follow

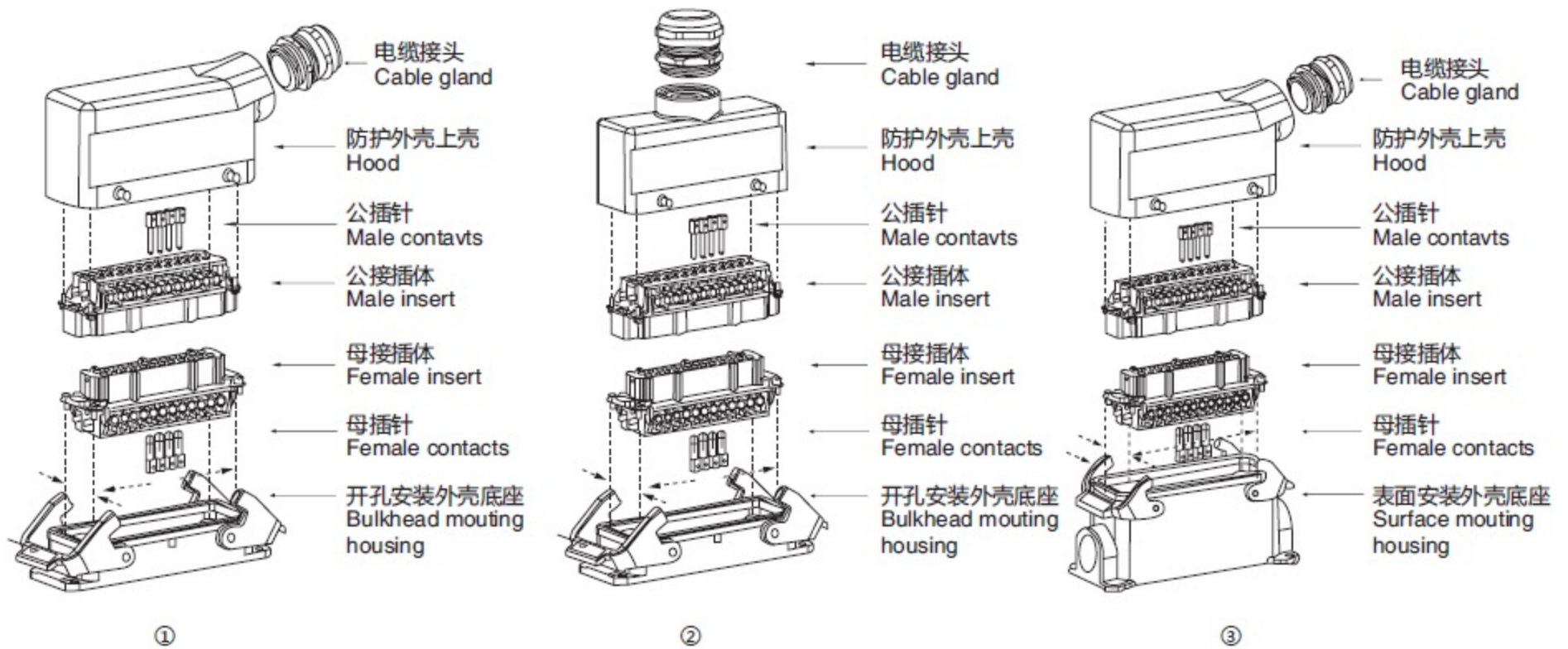
- Rated voltage and current
- Poles of connector
- Choosing hood and housing type
- Accessories (selecting cable gland)

## 产品型号说明 Type explanation

例：UTL-HE-016-M 为 UTL-HE 系列的 16 针公接插体。  
i.e.: UTL-HE-016-M means male insert of 16 poles in UTL-HE series



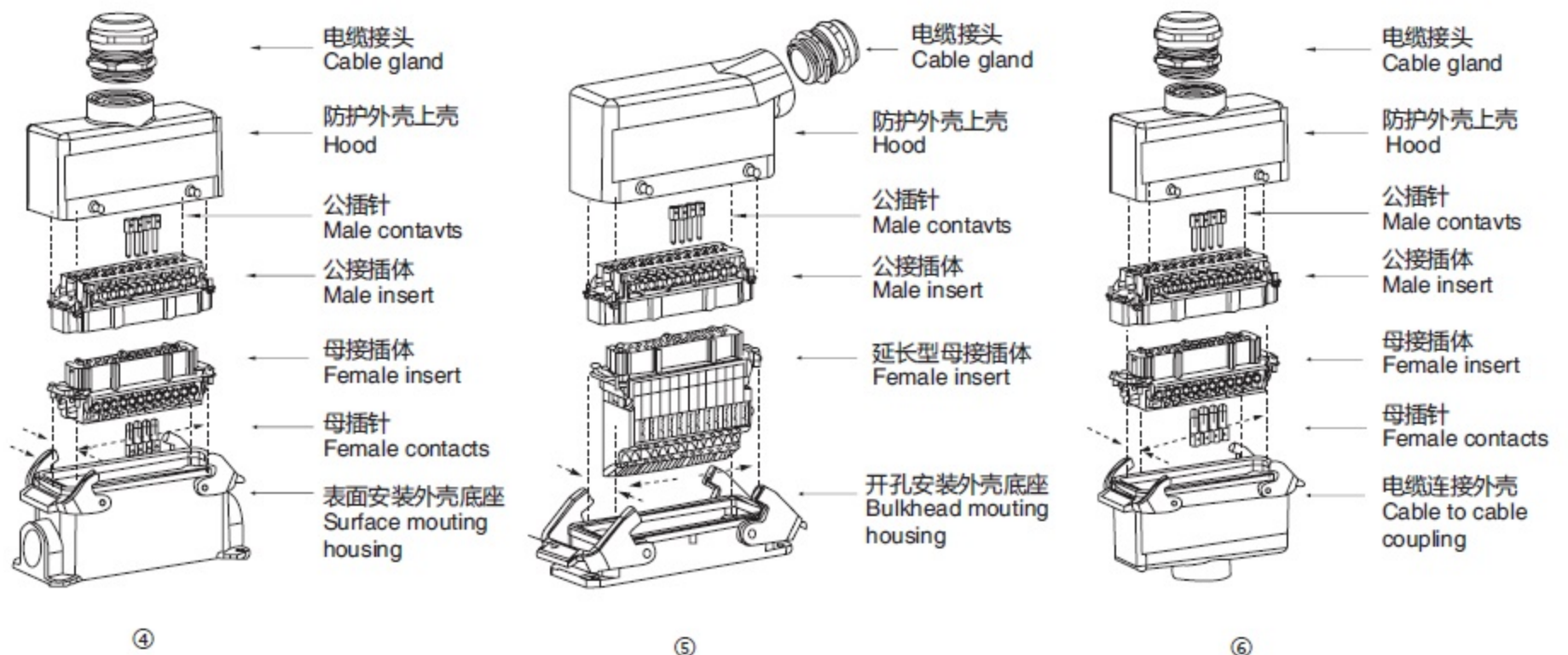
## 重载接插件常用套件组合示意图如下 Set general overview



① 开孔安装，侧面进线形式  
Bulkhead mounting and side entry type.

② 开孔安装，正面进线形式  
Bulkhead mounting and top entry type.

③ 表面安装，侧面进线形式  
Surface mounting and side entry type.



④ 表面安装，正面进线形式  
Surface mounting and top entry type.

⑤ 开孔安装，侧面进线形式  
Through-panel connector and side entry type.

⑥ 电缆连接，正满进线形式  
Cable to cable and top entry type.

注：以上所有规格均提供单扣形式。  
All sets shown above with one lever ties.



接插件针数及对应额定工作参数对照表 Overview: Rating Vs.No.of poles

额定电压 /Rated voltage	250V	250V	500V	500V	500V	690V	690V
额定电流 /Rated current	10A	16A	16A	16A	35A	80A	100A
3	UTL-HA-003					UTL-HK4/0-012	
4	UTL-HA-004						
5			UTL-HQ-005				
6			UTL-HE-006		UTL-HSB-006	UTL-HK4/2-012	
7	UTL-HD-007		HQ-007				
8	UTL-HD-008						
10		UTL-HA-010	UTL-HE-010	UTL-HEE-010			
12					UTL-HSB-012	UTL-HK4/8-012	UTL-HK6/6-012
15	UTL-HD-015						
16		UTL-HA-016	UTL-HE-016				
18				UTL-HEE-018			
24	UTL-HDD-024		UTL-HE-024				
25	UTL-HD-025						
32		UTL-HA-032	UTL-HE-032	UTL-HEE-032			
40	UTL-HD-040						
42	UTL-HDD-042						
46				UTL-HEE-046			
48			UTL-HE-048				
50	UTL-HD-050						
64	UTL-HD-064			UTL-HEE-064			
72	UTL-HDD-072						
80	UTL-HD-080						
92				UTL-HEE-092			
108	UTL-HDD-108						
144	UTL-HDD-144						
216	UTL-HDD-216						

接插件针数及对应额定工作参数对照表 Overview: Rating Vs.No.of poles

防护外壳及接插体选型对照表 hoods and inserts overview

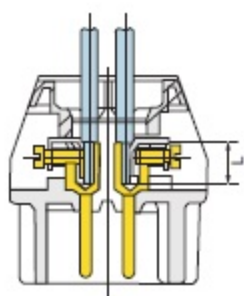
防护外壳 hood	接插体 insert					
H3A 外壳 (金属)	UTL-HA-003/HA-004		UTL-HD-007/HD-008	UTL-HQ-005/HD-007		
H3A 外壳 (塑料)	UTL-HA-003/HA-004		UTL-HD-007/HD-008	UTL-HQ-005/HD-005		
H10A, EMC	UTL-HA-10		UTL-HD-015			
H16A, EMC	UTL-HA-16		UTL-HD-025			
H32A, EMC	UTL-HA-032(16×2)		UTL-HD-050(25×2)			
H6B, EMC	UTL-HE-006	UTL-HE-010		UTL-HDD-024	UTL-HSB-006	UTL-HK4/0, HK4/2
H10B, EMC	UTL-HE-010	UTL-HE-018		UTL-HDD-042		UTL-HK4/8, HK4/6
H16B, EMC	UTL-HE-016	UTL-HE-032	UTL-HD-040	UTL-HDD-072		
H24B, EMC	HE-024UTL-	UTL-HE-046	UTL-HD-064	UTL-HDD-108		
H32B, EMC	UTL-HA-032(16×2)	UTL-HE-064(32×2)	UTL-HD-080(40×2)	UTL-HDD-144(72×2)	UTL-HSB-012(6×2)	
H48B, EMC	UTL-HA-048(24×2)	UTL-HE-092(46×2)	UTL-HD-128(64×2)	UTL-HDD-216(108×2)		



# Terminal type overview 导线压接类型总览

## 螺钉压接形式 Screw terminal

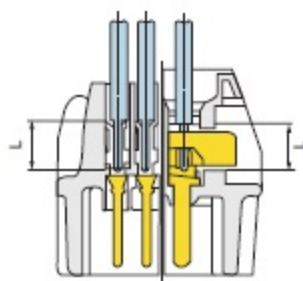
UTL-HA series  
UTL-HE series  
UTL-HSB series  
UTL-HK series  
UTL-HEAV series



	最大线规 max. wire gauge		剥线长度 Stripping length L(mm <sup>2</sup> )
	(mm <sup>2</sup> )	AWG	
UTL-HA-003, HA-004	2.5	14	4.5
UTL-HE, UTL-HA, UTL-HEAV	2.5	14	7.5
UTL-HE	4.0	12	7.5
UTL-HSB	6.0	10	11.5
UTL-HK	16.0	5	14.0

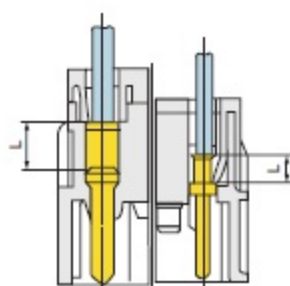
## 冷压针压接形式 Crimp terminal

UTL-HD series  
UTL-HDD series  
UTL-HM series(10A)



	最大线规 max. wire gauge		剥线长度 Stripping lengthL(mm <sup>2</sup> )	
	(mm <sup>2</sup> )	AWG	HDD/HD	HEG/HAG
UTL-HD UTL-HDD UTL-HM(10A)	0.5	20	8.0	7.5
	0.75	18	8.0	7.5
	1.0	18	8.0	7.5
	1.5	16	8.0	7.5
	2.5	14	8.0	7.5
	4.0	12	-	7.5

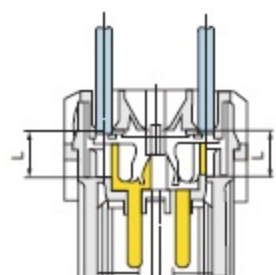
## UTL-HEE series UTL-HM series(16A)



	最大线规 max. wire gauge		剥线长度 Stripping lengthL(mm <sup>2</sup> )
	(mm <sup>2</sup> )	AWG	
UTL-HEE UTL-M(16A)	0.5	20	7.5
	0.75	18	7.5
	1.0	18	7.5
	1.5	16	7.5
	2.5	14	7.5
	4.0	12	7.5

## 弹片压接端子 Cage-clamp terminal

UTL-HES series  
UTL-HEAVS series



接插芯 Inserts	最大线规 max. wire gauge		剥线长度 Stripping length L(mm <sup>2</sup> )
	(mm <sup>2</sup> )	AWG	
UTL-HES, UTL-HEAVS	0.14-2.5	26-14	9...11

## 压接导线时对拧紧力矩的要求 Tightening torque for screw terminal

螺钉接线端子符合标准 VDE 0609/EN 60 999 . 不同螺钉尺寸对应的拧紧力矩数据详见表格。

螺钉接线端子可以分为带压线保护和不带压线保护两种：

- 带压线保护的接线端子  
不需使用管状压线端子,UTL-HE、UTL-HSB、UTL-HEAV 系列接插件均为类型。
- 不带压线保护的接线端子  
必须使用管状压线端头 . UTL-HK 系列接插件为此类型。

Scraw terminals meet VDE 0609/EN 60 999. Dimensions and tightening torquas for testing are shown opposite.

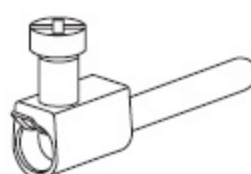
The relevant reoulations state that in the case of.

- Terminals with wire protection.  
ferrulaes is not necessary, for UTL-HE, UTL-HSB, UTL-HEAV series.

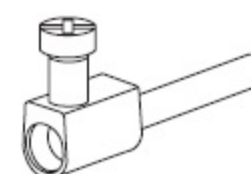
- Terminals without wire protection.  
The insulation is first stripped and then a wire ferrule must be used. For UTL-HK series.

螺钉尺寸及对应要求的拧紧力矩  
Screw dimensions and tightening torque for screw terminal

线规 wire gauge(mm <sup>2</sup> )	1.5	2.5	4	6	10	16
螺钉类型 Screw thread	M3	M3	M3.5	M4	M4	M6
测试力矩 Test moment of torque(Nm)	0.5	0.5	0.8	1.2	1.2	1.2
最小拔出力 Min.pull-out for stranded wire(N)	40	50	60	80	90	100



带压线保护  
with wire protection



不带压线保护  
without wire protection



## Selecting Cable Glands 电缆接头的选择

### UTL-PG 制电缆接头的选择 Selecting PG Cable Glands

The UTL-PG sizes indicated are intended for standard cables

导线截面 Cross-sec.	导线条数 No.of.cond.	电缆范围 CableΦ approx.	适用的电缆接头 Metric with multi-layer sealing		
0.5 mm <sup>2</sup>	4	6.7-9.7	11		
AWG 20	6	7.6-10.6	11	13.5	16
	10	9.4-12.8	11	13.5	16
	16	10.7-13.9	11	13.5	16
	24	13.5-16.7	13.5	16	21
	30	14.3-17.5	13.5	16	21
	35	16-78.6		16	21
	40	16.6-19.2			21
	61	20.3-23.1		21	19

导线截面 Cross-sec.	导线条数 No.of.cond.	电缆范围 CableΦ approx.	适用的电缆接头 Metric with multi-layer sealing		
0.75 mm <sup>2</sup>	4	7.9-10.3	11		
AWG 18	6	8.9-12.3	11		
	10	10.4-13.8	11	13.5	16
	18	13-16.2	13.5	16	
	28	15.9-18.5		16	21
	32	17.1-19.7			21 29
	40	19-21.4			21 29
	50	21.3-24.1			21 29
	61	22.6-25.4		21	29

导线截面 Cross-sec.	导线条数 No.of.cond.	电缆范围 CableΦ approx.	适用的电缆接头 Metric with multi-layer sealing		
1 mm <sup>2</sup>	4	8.4-10.7	11	13.5	
AWG 16-18	6	9.2-12.6	11	13.5	16
	10	11-14.4	11	13.5	16 21
	16	13-16.2	13.5	16	21
	24	16.5-19.1			21 29
	34	19.4-21.8			21 29
	48	22-24.8			21 29
	61	24.5-27.2			29

导线截面 Cross-sec.	导线条数 No.of.cond.	电缆范围 CableΦ approx.	适用的电缆接头 Metric with multi-layer sealing		
1.5 mm <sup>2</sup>	4	9.7-11.8	11	13.5	16
AWG 16	6	10.8-14.2	11	13.5	16
	11	13.6-16.8		13.5	16 21
	16	15.8-18.4		16	21
	25	20.2-23			21 29
	32	23.8-24.5			29 36
	42	25.8-29			29 36
	50	27-30.2			29 36
	61	28.6-31.8			29 36

导线截面 Cross-sec.	导线条数 No.of.cond.	电缆范围 CableΦ approx.	适用的电缆接头 Metric with multi-layer sealing		
2.5 mm <sup>2</sup>	4	11.7-14.4	11	13.5	16
AWG 16	6	13.3-16.7	13.5	16	21
	7	13.3-16.7	13.5	16	21
	11	18-20.6		21	29
	16	20.6-23.4		21	29
	18	21.7-24.5			29 36
	25	26.4-29.6			29 36
	34	31.3-33.1			29 36
	50	37-39.4			42

导线截面 Cross-sec.	导线条数 No.of.cond.	电缆范围 CableΦ approx.	适用的电缆接头 Metric with multi-layer sealing		
4 mm <sup>2</sup>	2	10.7-14.1	11	13.5	16 21
AWG 10-12	4	13-16.4	13.5	16	21
	5	14.3-17.7		16	21
	7	16.2-19.6		21	29 36
	11	approx.24.5			29 36

### 公制电缆接头的选择 Selecting Metric Cable Glands

The Metric-sizes indicated are intended for standard cables

Please observe the clamping range of your choice of metric cables glands.

导线截面 Cross-sec.	导线条数 No.of.cond.	电缆范围 CableΦ approx.	适用的电缆接头 Metric with multi-layer sealing		
0.5 mm <sup>2</sup>	4	6.7-9.7	16	20	
AWG 20	6	7.6-10.6	16	20	16
	10	9.4-12.8	16	20	16 25
	16	10.7-13.9		16	25
	24	13.5-16.7		16	25 32
	35	16-78.6			25 32
	40	16.6-19.2			25 32
	61	20.3-23.1			32

导线截面 Cross-sec.	导线条数 No.of.cond.	电缆范围 CableΦ approx.	适用的电缆接头 Metric with multi-layer sealing16		
0.75 mm <sup>2</sup>	4	7.9-10.3	16	20	
AWG 18	6	8.9-12.3	16	20	25
	10	10.4-13.8		20	25
	18	13-16.2		25	32
	25	15.9-18.5		25	32
	32	17.1-19.7		25	32
	40	19-21.4			32 40
	50	21.3-24.1			32 40
	61	22.6-25.4			40

导线截面 Cross-sec.	导线条数 No.of.cond.	电缆范围 CableΦ approx.	适用的电缆接头 Metric with multi-layer sealing		
1 mm <sup>2</sup>	4	8.4-10.7	16	20	
AWG 16-18	6	9.2-12.6	16	20	25
	10	11-14.4		20	25 32
	16	13-16.2		25	32
	24	16.5-19.1		25	32 40
	34	19.4-21.8		25	32 40
	48	22-24.8			32 40
	61	24.5-27.2			32 40

导线截面 Cross-sec.	导线条数 No.of.cond.	电缆范围 CableΦ approx.	适用的电缆接头 Metric with multi-layer sealing		
1.5 mm <sup>2</sup>	4	9.7-11.8	16	20	25
AWG 16	6	10.8-14.2		20	25
	11	13.6-16.8		25	32
	16	15.8-18.4		25	32
	25	20.2-23			32 40
	32	23.8-24.5			40
	42	25.8-29			40
	61	28.6-31.8			40

导线截面 Cross-sec.	导线条数 No.of.cond.	电缆范围 CableΦ approx.	适用的电缆接头 Metric with multi-layer sealing16		
2.5 mm <sup>2</sup>	4	11.7-14.4	20	25	
AWG 12-14	6	13.3-16.7		25	32
	11	18-20.6		25	32 40
	16	20.6-23.4		32	40
	25	26.4-29.6			40 50
	34	31.3-33.1			40 50
	50	37-39.4			50
	61	39-41.5			50

导线截面 Cross-sec.	导线条数 No.of.cond.	电缆范围 CableΦ approx.	适用的电缆接头 Metric with multi-layer sealing		
4 mm <sup>2</sup>	2	10.7-14.1	20	25	
AWG 10-12	4	13-16.4		25	32
	5	14.3-17.7		25	32
	7	16.2-19.6		25	32
	11	approx. 24.5			40