



# Set general introduction 常用套件组合

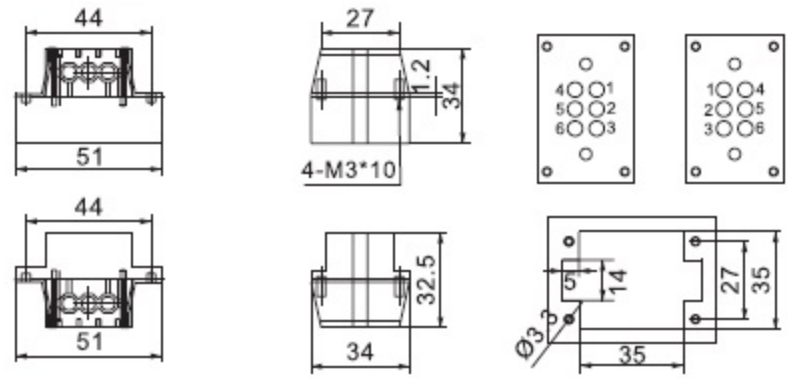
## UTL-HE 系列 6 回路接插件套件 HE series 6 Poles of connector



UTL-HE-006-M



UTL-HE-006-F



UTL-HE-006 有普通金属锁扣和塑料保护盖

工作电流：16A  
 工作电压：400/500V  
 阻燃等级 (据 UL94): VO  
 防护等级：IP65  
 接线形式：螺钉压接  
               弹片压接  
               冷压针压接  
 电缆入口可选螺纹：  
               M20, PG16, PG21  
 Rated current: 16A  
 Rated voltage: 400/500V  
 Flammability acc. to UL94: VO  
 Degree of protection acc. to  
 DIN40 050: IP65  
 Terminal: Screw terminal  
               Spring terminal  
               Crimp terminal  
 Thread: M20, PG16, PG21



UTL-H6B-TS-RO



UTL-H6B-TG-RO



UTL-H6B-TS-RO



UTL-H6B-HG-LB



UTL-H6B-AG-LB



UTL-H6B-SGR-LB

UTL-HDG-HE-006-1D

侧面进线 / Side entry

UTL-HDG-HE-006-2D

正面进线 / Top entry

UTL-HDG-HE-006-3D

侧面进线 / Side entry



UTL-H6B-TG-RO



UTL-H6B-TS-RO



UTL-H6B-TG-RO



UTL-H6B-SGR-LB



UTL-H6B-AD-LB



UTL-H6B-SDR-LB

UTL-HDG-HE-006-4D

正面进线 / Top entry

UTL-HDG-HE-006-1DB

侧面进线 / Side entry

UTL-HDG-HE-006-4DB

正面进线 / Top entry

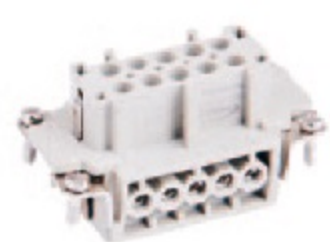


# Set general introduction 常用套件组合

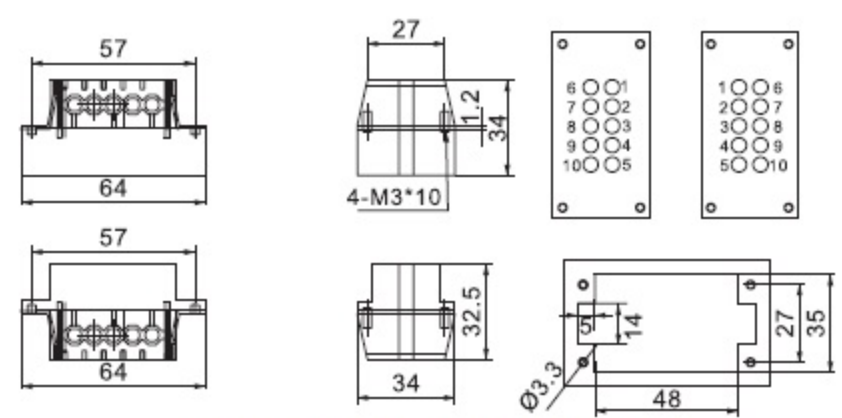
## UTL-HE 系列 10 回路接插件套件 HE series 10 Poles of connector



UTL-HE-010-M



UTL-HE-010-F



UTL-HE-010 有普通金属单扣和塑料保护盖  
UTL-HE-010 有普通金属双扣和塑料保护盖

工作电流：16A  
工作电压：400/500V  
阻燃等级 (据 UL94): VO  
防护等级：IP65  
接线形式：螺钉压接  
          弹片压接  
          冷压针压接  
电缆入口可选螺纹：  
          M25, PG16, PG21  
Rated current: 16A  
Rated voltage: 400/500V  
Flammability acc.to UL94:VO  
Degree of protection acc. to  
DIN40 050:IP65  
Terminal: Screwterminal  
          Spring terminal  
          Crimp terminal  
Thread:M25 , PG16 , PG21



UTL-H10B-TS-PG16



UTL-H10B-TG-PG16



UTL-H10B-TS-PG16



UTL-H10B-TG-PG16



UTL-H10B-AG



UTL-H10B-AG



UTL-H10B-SGR



UTL-H10B-SGR

UTL-HDG-HE-010-1	UTL-HDG-HE-010-2	UTL-HDG-HE-010-3	UTL-HDG-HE-010-4
侧面进线 /Side entry	正面进线 /Top entry	侧面进线 /Side entry	正面进线 /Top entry



UTL-H10B-TS-RO



UTL-H10B-TG-RO



UTL-H10B-TSB-PG16



UTL-H10B-TGB-PG16



UTL-H10B-AG-LB



UTL-H10B-AG-LB



UTL-H10B-AD-BO



UTL-H10B-SDR-BO

UTL-HDG-HE-010-1D	UTL-HDG-HE-010-2D	UTL-HDG-HE-010-1B	UTL-HDG-HE-010-4B
侧面进线 /Side entry	正面进线 /Top entry	侧面进线 /Side entry	正面进线 /Top entry

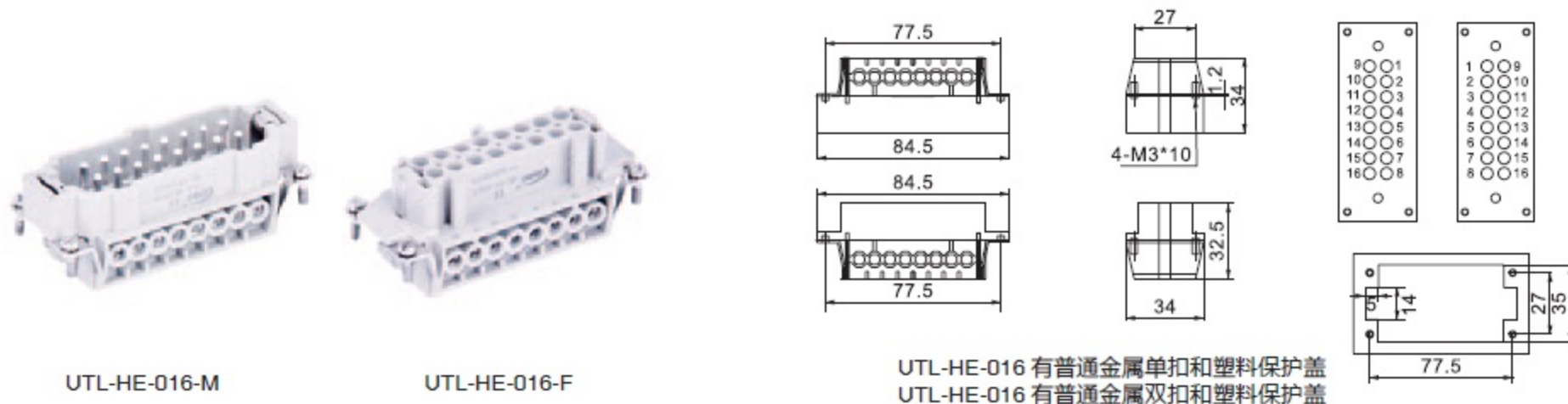


tel. 02.3361.1626 info@elitaliaweb.it  
fax 02.2626.1009 www.elitaliaweb.it



# Set general introduction 常用套件组合

## UTL-HE 系列 16 回路接插件套件 (带双扣) UTL-HE series 16 Poles of connector (With 2 levers)



UTL-HE-016-M

UTL-HE-016-F

UTL-HE-016 有普通金属单扣和塑料保护盖  
UTL-HE-016 有普通金属双扣和塑料保护盖

工作电流: 16A  
工作电压: 400/500V  
阻燃等级 (据 UL94): VO  
防护等级: IP65  
接线形式: 螺钉压接  
          弹片压接  
          冷压针压接  
电缆入口可选螺纹:  
          M25, PG21, PG29, M32  
Rated current: 16A  
Rated voltage: 400/500V  
Flammability acc. to UL94: VO  
Degree of protection acc. to  
DIN40 050: IP65  
Terminal: Screw terminal  
          Spring terminal  
          Crimp terminal  
Thread: M25, PG21,  
          PG29, M32



UTL-H16B-TS-PG21



UTL-H16B-TG-PG21



UTL-H16B-TS-PG21



UTL-H16B-TG-PG21



UTL-H16B-AG



UTL-H16B-AG



UTL-H16B-SGR



UTL-H16B-SGR

UTL-HDG-HE-016-1

侧面进线 / Side entry

UTL-HDG-HE-016-2

正面进线 / Top entry

UTL-HDG-HE-016-3

侧面进线 / Side entry

UTL-HDG-HE-016-4

正面进线 / Top entry



UTL-H16B-TS-RO



UTL-H16B-TG-RO



UTL-H16B-TSB-PG21



UTL-H16B-TGB-PG21



UTL-H16B-AG-LB



UTL-H16B-SGR-LB



UTL-H16B-AD-BO



UTL-H16B-SDR-BO

UTL-HDG-HE-016-1D

侧面进线 / Side entry

UTL-HDG-HE-016-4D

正面进线 / Top entry

UTL-HDG-HE-016-1B

侧面进线 / Side entry

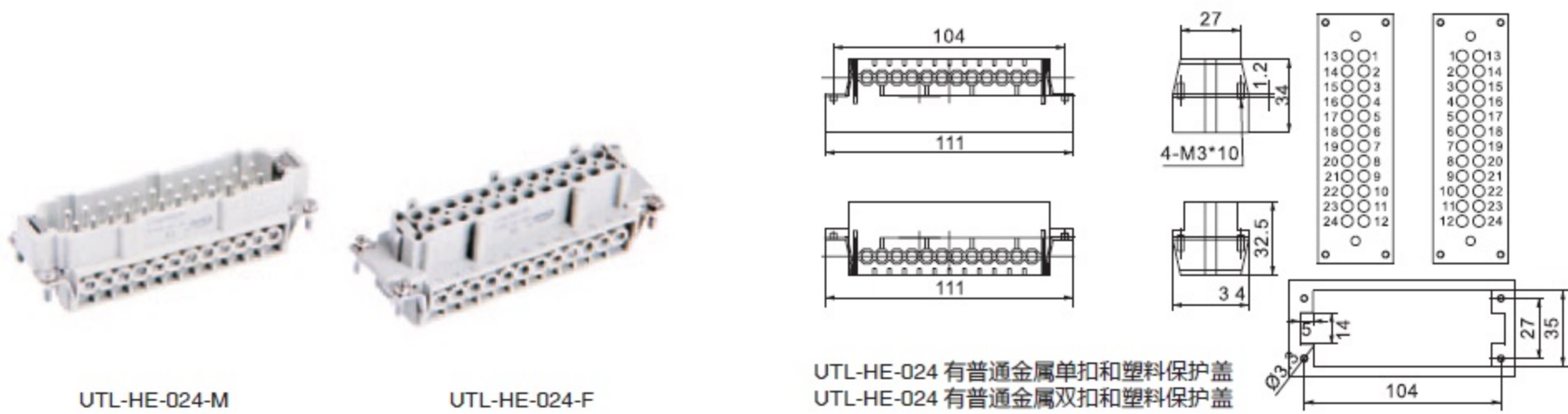
UTL-HDG-HE-016-4B

正面进线 / Top entry



# Set general introduction 常用套件组合

## UTL-HE 系列 24 回路接插件套件 (带双扣) UTL-HE series 24 Poles of connector (With 2 levers)



UTL-HE-024-M

UTL-HE-024-F

UTL-HE-024 有普通金属单扣和塑料保护盖  
UTL-HE-024 有普通金属双扣和塑料保护盖

工作电流: 16A  
 工作电压: 400/500V  
 阻燃等级 (据 UL94): VO  
 防护等级: IP65  
 接线形式: 螺钉压接  
           弹片压接  
           冷压针压接  
 电缆入口可选螺纹:  
           PG21, PG29, M32  
 Rated current: 16A  
 Rated voltage: 400/500V  
 Flammability acc. to UL94: VO  
 Degree of protection acc. to  
 DIN40 050: IP65  
 Terminal: Screw terminal  
           Spring terminal  
           Crimp terminal  
 Thread: PG121, PG29, M32



UTL-H24B-TS-PG21



UTL-H24B-TG-PG21



UTL-H24B-TSH-PG29



UTL-H24B-TG-PG21



UTL-H24B-AG



UTL-H24B-AG



UTL-H24B-SGR



UTL-H24B-SGR

UTL-HDC-HE-024-1

侧面进线 / Side entry

UTL-HDC-HE-024-2

正面进线 / Top entry

UTL-HDC-HE-024-3

侧面进线 / Side entry

UTL-HDC-HE-024-4

正面进线 / Top entry



UTL-H24B-TS-RO



UTL-H24B-TG-RO



UTL-H24B-TGHB-2\*PG21



UTL-H24B-TGH-RO



UTL-H24B-AD-LB



UTL-H24B-SGR-LB



UTL-H24B-AD-LB



UTL-H24B-SDR-LB

UTL-HDC-HE-024-1DB

侧面进线 / Side entry

UTL-HDC-HE-024-4D

正面进线 / Top entry

UTL-HDC-HE-024-2B

正面进线 / Top entry

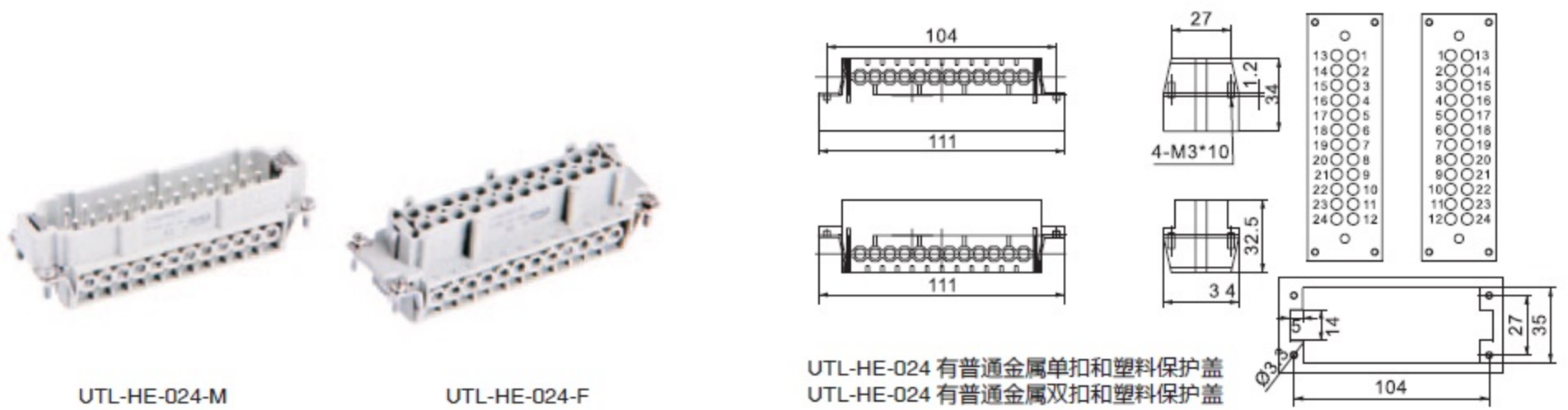
UTL-HDC-HE-024-4DB

正面进线 / Top entry



# Set general introduction 常用套件组合

## UTL-HE 系列 24 回路接插件套件 (带双扣) UTL-HE series 24 Poles of connector (With 2 levers)



UTL-HE-024-M

UTL-HE-024-F

UTL-HE-024 有普通金属单扣和塑料保护盖  
UTL-HE-024 有普通金属双扣和塑料保护盖

工作电流: 16A  
工作电压: 400/500V  
阻燃等级 (据 UL94): VO  
防护等级: IP65  
接线形式: 螺钉压接  
          弹片压接  
          冷压针压接  
电缆入口可选螺纹:  
          PG21, PG29, M32  
Rated current: 16A  
Rated voltage: 400/500V  
Flammability acc. to UL94: VO  
Degree of protection acc. to  
DIN40 050: IP65  
Terminal: Screw terminal  
          Spring terminal  
          Crimp terminal  
Thread: PG121, PG29, M32



UTL-H24B-TS-PG21



UTL-H24B-TG-PG21



UTL-H24B-TSH-PG29



UTL-H24B-TG-PG21



UTL-H24B-AG



UTL-H24B-AG



UTL-H24B-SGR



UTL-H24B-SGR

UTL-HDC-HE-024-1

侧面进线 / Side entry

UTL-HDC-HE-024-2

正面进线 / Top entry

UTL-HDC-HE-024-3

侧面进线 / Side entry

UTL-HDC-HE-024-4

正面进线 / Top entry



UTL-H24B-TS-RO



UTL-H24B-TG-RO



UTL-H24B-TGHB-2\*PG21



UTL-H24B-TGH-RO



UTL-H24B-AD-LB



UTL-H24B-SGR-LB



UTL-H24B-AD-LB



UTL-H24B-SDR-LB

UTL-HDC-HE-024-1DB

侧面进线 / Side entry

UTL-HDC-HE-024-4D

正面进线 / Top entry

UTL-HDC-HE-024-2B

正面进线 / Top entry

UTL-HDC-HE-024-4DB

正面进线 / Top entry

# Set general introduction 常用套件组合



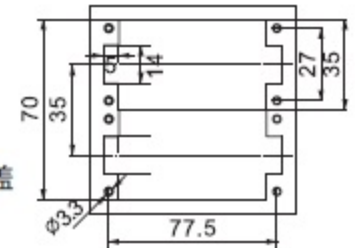
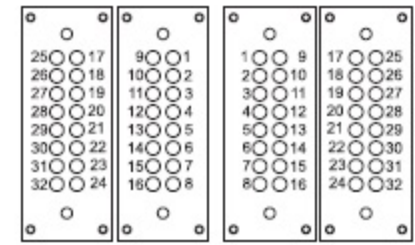
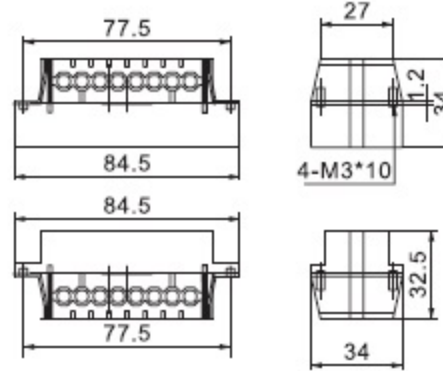
## UTL-HE 系列 32 回路接插件套件 (带单双扣) UTL-HE series 32 Poles of connector (With 1, 2 levers)



UTL-HE-016-M(1~16)  
UTL-HE-016-M(17~32)



UTL-HE-016-F(1~16)  
UTL-HE-016-F(17~32)



UTL-HE-32B 底座锁扣有普通金属单扣和塑料保护盖  
UTL-HE-32B 底座锁扣有普通金属双扣

工作电流: 16A  
工作电压: 400/500V  
阻燃等级 (据 UL94): VO  
防护等级: IP65  
接线形式: 螺钉压接  
          弹片压接  
          冷压针压接  
电缆入口可选螺纹:  
          M32, PG29  
Rated current: 16A  
Rated voltage: 400/500V  
Flammability acc. to UL94: VO  
Degree of protection acc. to  
DIN40 050: IP65  
Terminal: Screw terminal  
          Spring terminal  
          Crimp terminal  
Thread: M32, PG29



UTL-H32B-TS-PG29



UTL-H32B-TG-PG29



UTL-H32B-TS-RO



UTL-H32B-TG-RO



UTL-H32B-AG



UTL-H32B-AG



UTL-H32B-AG-LB



UTL-H32B-AD-LB

UTL-HDG-HE-032-1

侧面进线 / Side entry

UTL-HDG-HE-032-2

正面进线 / Top entry

UTL-HDG-HE-032-1D

侧面进线 / Side entry

UTL-HDG-HE-032-2DB

正面进线 / Top entry



UTL-H32B-TS-PG29



UTL-H32B-TG-PG29



UTL-H32B-TS-RO



UTL-H32B-TG-RO



UTL-H24B-AD-LB



UTL-H24B-SGR-LB



UTL-H24B-AD-LB



UTL-H24B-SDR-LB

UTL-HDG-HE-032-3

侧面进线 / Side entry

UTL-HDG-HE-032-4

正面进线 / Top entry

UTL-HDG-HE-032-3D

侧面进线 / Side entry

UTL-HDG-HE-032-4DB

正面进线 / Top entry

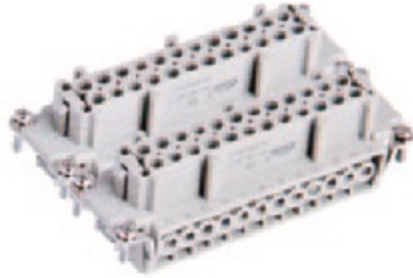
# Set general introduction 常用套件组合



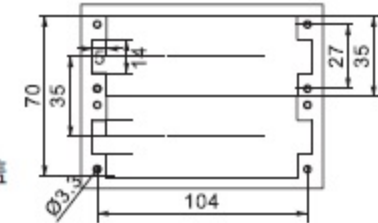
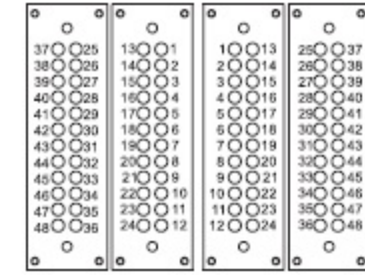
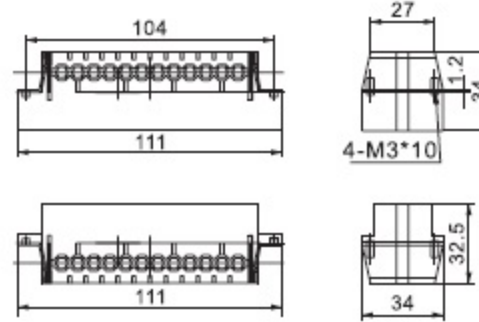
## UTL-HE 系列 48 回路接插件套件 UTL-HE series 48 Poles of connector



UTL-HE-048-M(1~24)  
UTL-HE-048-M(25~48)



UTL-HE-048-F(1~24)  
UTL-HE-048-F(25~48)



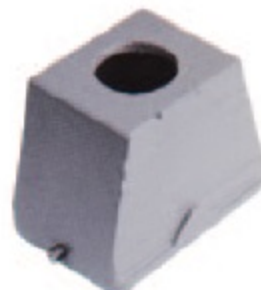
UTL-HE-48B 底座锁扣有普通金属单扣和塑料保护盖

工作电流：16A  
工作电压：400/500V  
阻燃等级 (据 UL94): VO  
防护等级：IP65  
接线形式：螺钉压接  
          弹片压接  
          冷压针压接  
电缆入口可选螺纹：  
          PG29, PG36, M40

Rated current: 16A  
Rated voltage: 400/500V  
Flammability acc. to UL94: VO  
Degree of protection acc. to  
DIN40 050: IP65  
Terminal: Screw terminal  
          Spring terminal  
          Crimp terminal  
Thread: PG29, PG36, M40



UTL-H48B-TS-RO



UTL-H48B-TG-RO



UTL-H48B-TS-RO



UTL-H48B-TG-RO



UTL-H48B-AG-LB



UTL-H48B-AD-LB



UTL-H48B-SGR-LB



UTL-H48B-SDR-LB

UTL-HDG-HE-048-1

UTL-HDG-HE-048-2DB

UTL-HDG-HE-048-3

UTL-HDG-HE-048-4DB

侧面进线 /Side entry

正面进线 /Top entry

侧面进线 /Side entry

正面进线 /Top entry