

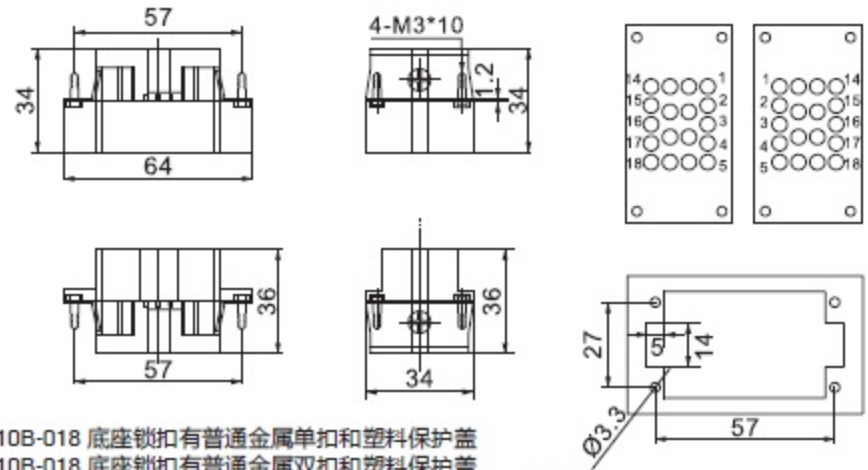
UTL-HEE 系列 18 回路接插件套件 UTL-HEE series 18 Poles of connector



UTL-HEE-018-M



UTL-HEE-018-F



UTL-H10B-018 底座锁扣有普通金属单扣和塑料保护盖
UTL-H10B-018 底座锁扣有普通金属双扣和塑料保护盖
UTL-HEE 系列芯件均为冷压针 (HEE) 压接型, 冷压针需另外订购

配套外壳 Suit hood/housing

UTL-H16B 上壳 UTL-H16B hood	螺纹 Thread	型号 Type	图纸 Drawing
------------------------------	--------------	------------	---------------

外壳上壳: 侧面进线
Hood: Side entry

	PG16 M20 M25	UTL-H10B-TS- PG16 M20 M25	
	PG21 PG29 M32	高结构 / High construction UTL-H10B-TSH- PG21 PG29 M32	
	PG16 M20 M25	UTL-H10B-TSB- PG16 M20 M25	

外壳上壳: 顶部进线
Hood: Top entry

	PG13.5 PG16 M20	UTL-H10B-TG-RO- PG13.5 PG16 M20	
	PG21 PG25 M25 M32	高结构 / High construction UTL-H10B-TGH- PG21 PG25 M25 M32	
	PG16 M25	UTL-H10B-TG- PG16 M25	

UTL-H16B 上壳/底座 UTL-H16B hood/housing	螺纹 Thread	型号 Type	图纸 Drawing
---	--------------	------------	---------------

外壳上壳: 顶部进线
Hood: Top entry

	PG16 PG21 M25	UTL-H10B-TGB- PG16 PG21 M25	
--	---------------------	--------------------------------------	--

外壳底座: 开孔安装
Bulkhead: mounted

		UTL-H10B-AG	
		UTL-H10B-AG-LB	
		带保护盖 Without protection covers UTL-H10B-AD-BO	

外壳底座: 表面安装
Surface mounted: Side entry

	PG16 M25	UTL-H10B-SGR- PG16 M25	
	PG16 M25	带保护盖 Without protection covers UTL-H10B-SDR-BO- PG16 M25	



Set general introduction 常用套件组合

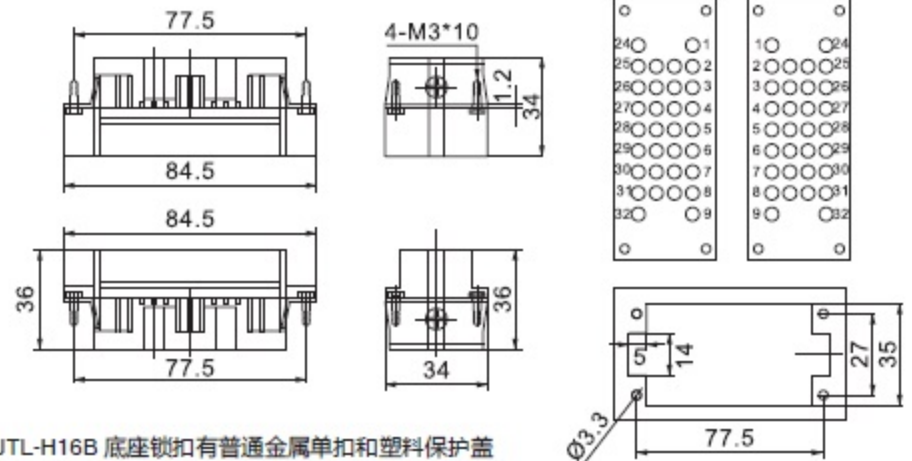
UTL-HEE 系列 32 回路接插件套件 UTL-HEE series 32 Poles of connector



UTL-HEE-032-M



UTL-HEE-032-F



UTL-H16B 底座锁扣有普通金属单扣和塑料保护盖
UTL-H16B 底座锁扣有普通金属双扣和塑料保护盖
UTL-HEE 系列芯件均为冷压针 (HEE) 压接型, 冷压针需另外订购

配套外壳 Suit hood/housing

UTL-H16B 上壳 UTL-H16B hood	螺纹 Thread	型号 Type	图纸 Drawing
------------------------------	--------------	------------	---------------

外壳上壳：侧面进线
Hood: Side entry



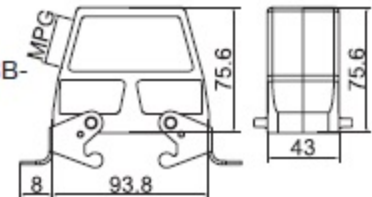
PG21 UTL-H16B-TS-
PG25 PG21
M32 PG25
M32



高结构 / High
construction
PG29 UTL-H16B-TSH-
PG29



PG21 UTL-H16B-TSB-
PG29 PG21
M32 PG29
M32



侧面带双扣上壳
Side entry housing with 2 levers



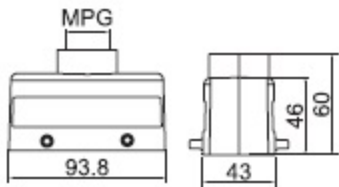
PG21 UTL-H16B-TS-
M25 PG21
M32 M25
M32



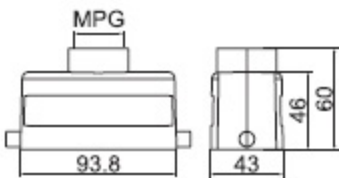
外壳上壳：顶部进线
Hood: Top entry



PG21 UTL-H16B-TG-
M25 PG21
M32 M25
M32



PG21 UTL-H16B-TG-RO
M25 PG21
M32 M25
M32



UTL-H16B 上壳/底座 UTL-H16B hood/housing	螺纹 Thread	型号 Type	图纸 Drawing
---	--------------	------------	---------------

外壳上壳：顶部进线
Hood: Top entry



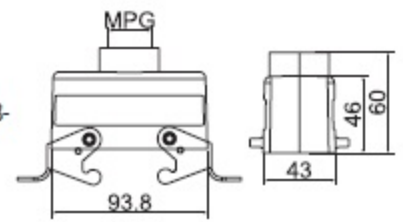
PG29 UTL-H16B-TGH-RO
PG29



顶部带双扣上壳
Top entry housing with 2 levers



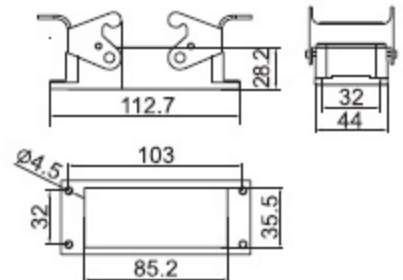
PG21 UTL-H16B-TGB-
M25 PG21
M32 M25
M32



外壳底座：开孔安装
Bulkhead mounted



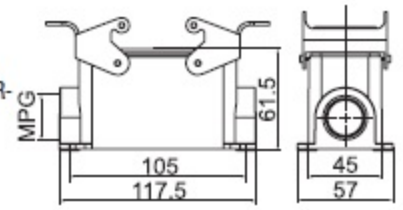
UTL-H16B-AG



外壳底座：表面安装
Surface mounted: Side entry



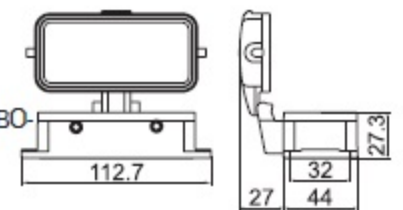
PG21 UTL-H16B-SGR-
PG29 PG21
M25 PG29
M25



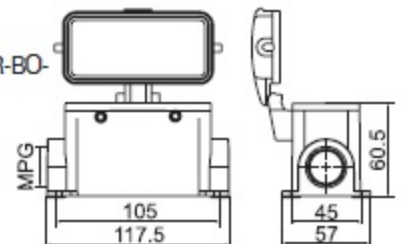
4 耳带盖底座
Bulkhead mounted with 2 bolts



UTL-H16B-AD-BO



PG21 UTL-H16B-SDR-BO
PG29 PG21
M25 PG29
M32 M25
M32



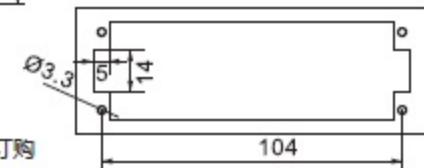
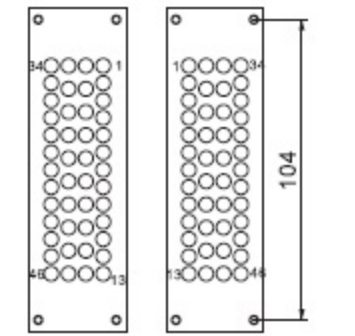
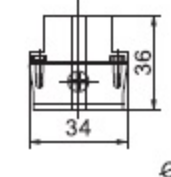
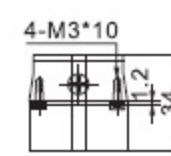
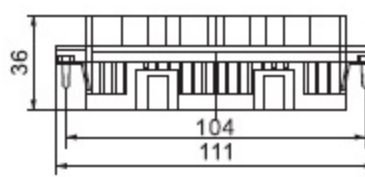
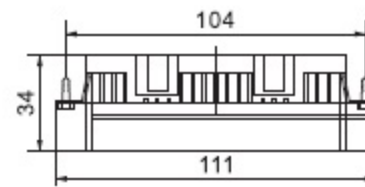
UTL-HEE 系列 46 回路接插件套件 UTL-HEE series 46 Poles of connector



UTL-HEE-046-M



UTL-HEE-046-F



UTL-H24B 底座锁扣有普通金属单扣和塑料保护盖
UTL-H24B 底座锁扣有普通金属双扣和塑料保护盖
UTL-HEE 系列芯件均为冷压针 (HEE) 压接型冷压针需另外订购

配套外壳 Suit hood/housing

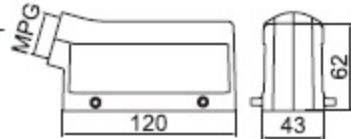
UTL-H24B 上壳 UTL-H24B hood	螺纹 Thread	型号 Type	图纸 Drawing
------------------------------	--------------	------------	---------------

外壳上壳：侧面进线
Hood: Side entry



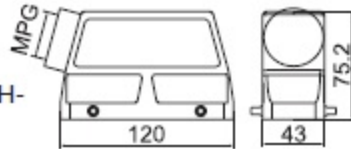
PG21
M25
M32

UTL-H24B-TS-
PG21
M25
M32



PG29

高结构 / High
construction
UTL-H24B-TSH-
PG29



PG21
M25
M32

UTL-H24B-TS-RO-
PG21
M25
M32

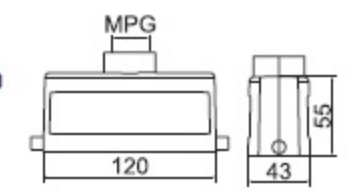


外壳上壳：顶部进线
Hood: Top entry



PG21
M25
M32

UTL-H24B-TS-RO
PG21
M25
M32



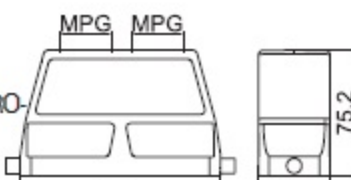
PG29

高结构 / High
construction
UTL-H24B-TGH-
PG29



2*PG21

UTL-H24B-TGH-RO-
2*PG21



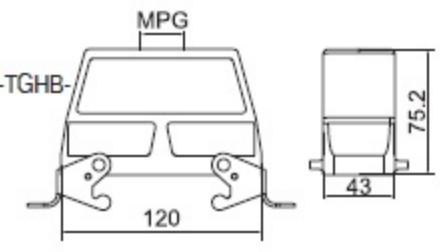
UTL-H24B 上壳 / 底座螺纹 UTL-H24B hood/housing thread	型号 Type	图纸 Drawing
--	------------	---------------

外壳上壳：顶部进线
Hood: Top entry



PG21
PG29
M32

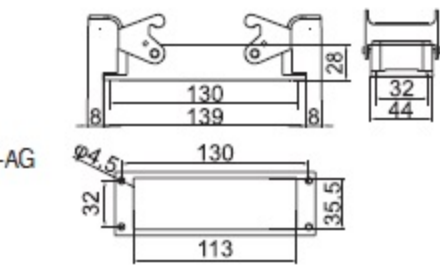
UTL-H24B-TGHB-
PG21
PG29
M32



外壳底座：开孔安装
Bulkhead: mounted



UTL-H24B-AG

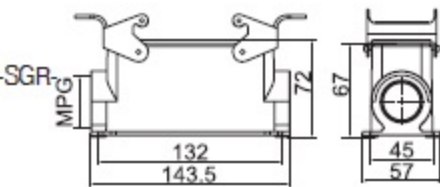


外壳底座：表面安装
Surface mounted: Side entry



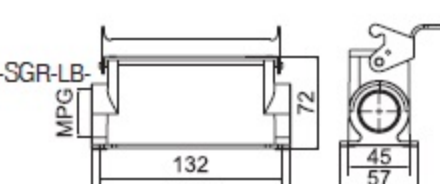
PG21
PG29
M32

UTL-H24B-SGR-
PG21
PG29
M32



PG21
PG29
M32

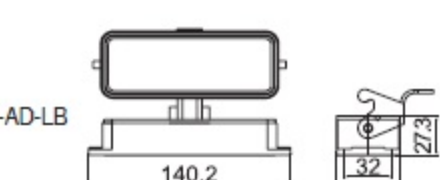
UTL-H24B-SGR-LB-
PG21
PG29
M32



4 耳带盖底座
Bulkhead mounted with 2 bolts



UTL-H24B-AD-LB





Set general introduction 常用套件组合

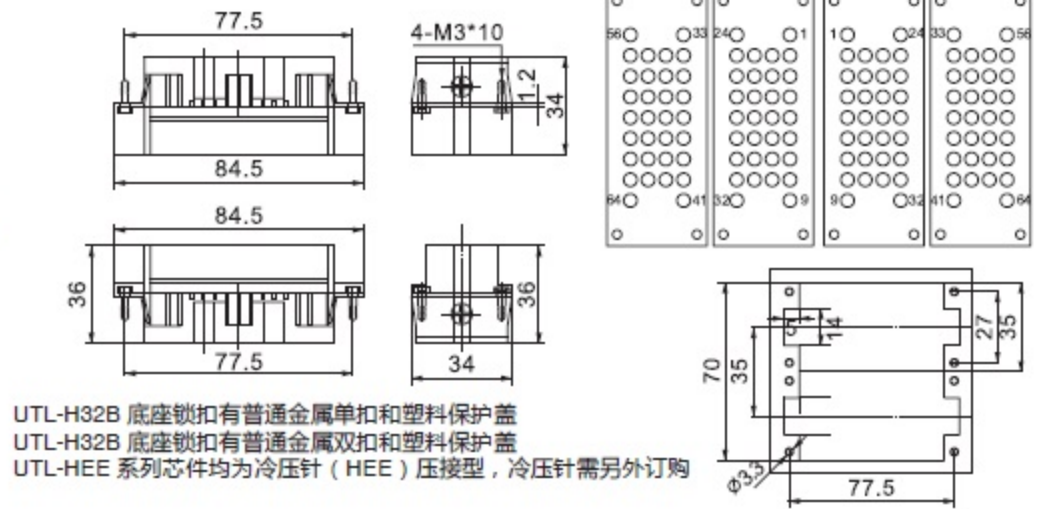
UTL-HEE 系列 64 回路接插件套件 UTL-HEE series 64 Poles of connector



UTL-HEE-032-M(1~32)
UTL-HEE-032-M(33~64)



UTL-HEE-032-F(1~32)
UTL-HEE-032-F(33~64)



配套外壳 Suit hood/housing

UTL-H32B 上壳 UTL-H32B hood	螺纹 Thread	型号 Type	图纸 Drawing
------------------------------	--------------	------------	---------------

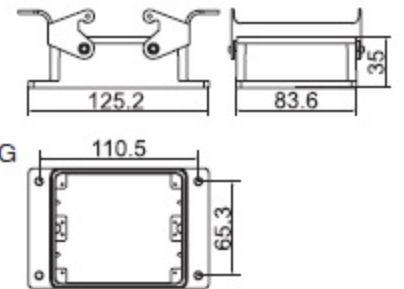
外壳上壳: 侧面进线
Hood: Side entry



PG29 M32 UTL-H32B-TS-PG29 M32



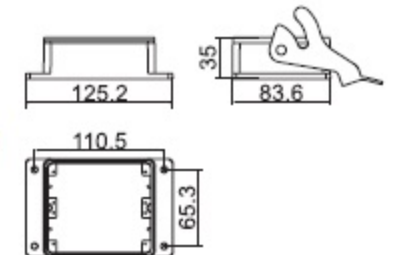
UTL-H32B-AG



PG29 M32 UTL-H32B-TS-RD-PG29 M32



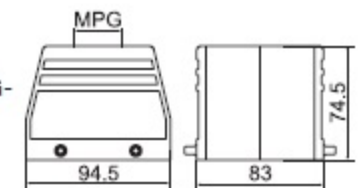
UTL-H32B-AG-LB



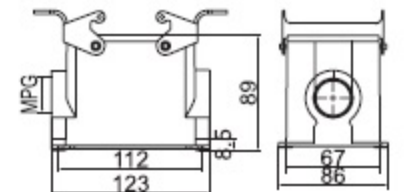
外壳上壳: 顶部进线
Hood: Top entry



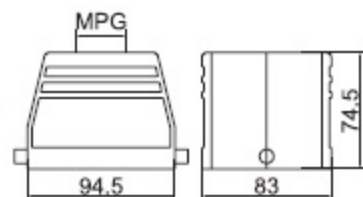
PG29 M32 UTL-H32B-TG-PG29 M32



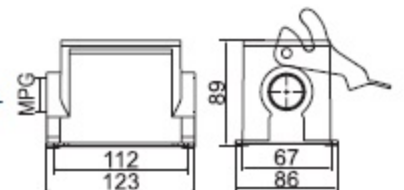
PG29 M32 UTL-H32B-SGR-PG29 M32



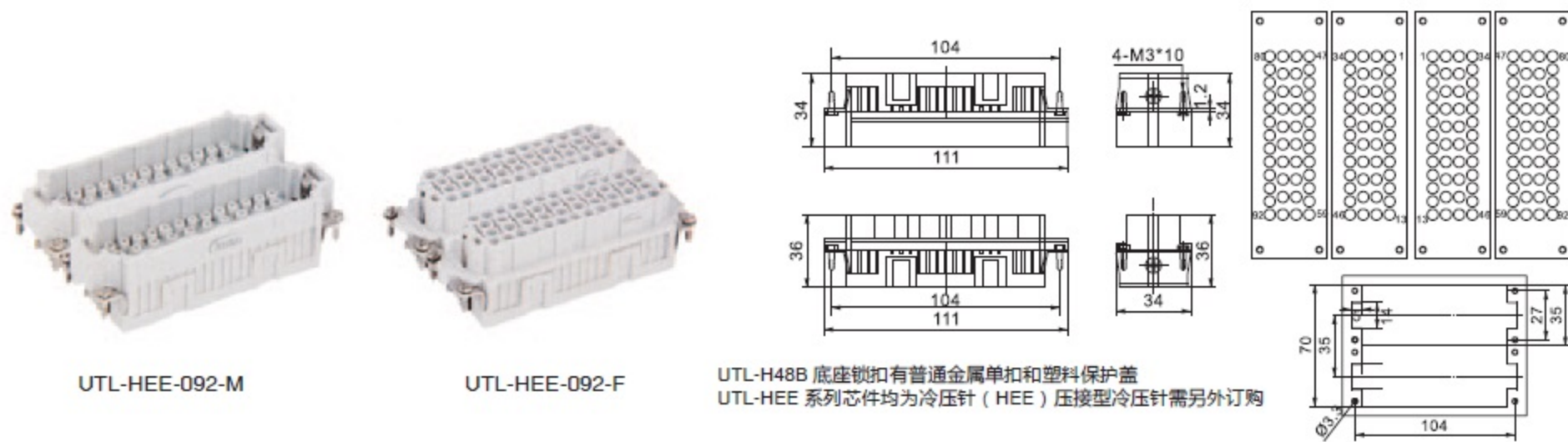
PG29 M32 UTL-H32B-TG-RD-PG29 M32



PG29 M32 UTL-H32B-SGR-LB-PG29 M32


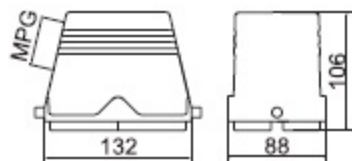

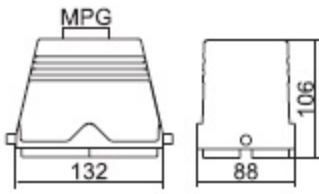


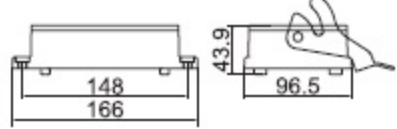
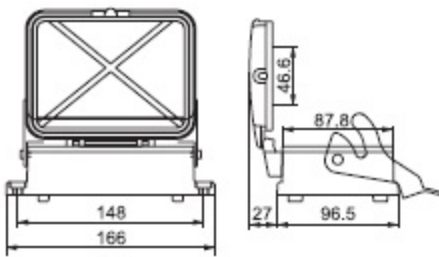

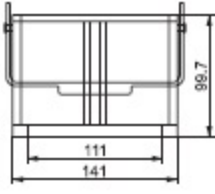
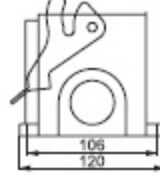



UTL-HEE 系列 92 回路接插件套件 UTL-HEE series 92 Poles of connector



UTL-H48B 底座锁扣有普通金属单扣和塑料保护盖
UTL-HEE 系列芯件均为冷压针 (HEE) 压接型冷压针需另外订购

配套外壳 Suit hood/housing

UTL-H48B 上壳 / 底座 UTL-H48B hood/housing	螺纹 Thread	型号 Type	图纸 Drawing
<p>外壳上壳：侧面进线 Hood:Side entry</p> 	<p>PG29 PG36 M40</p>	<p>UTL-H48B-TS-RO-PG29 UTL-H48B-TS-RO-PG36 UTL-H48B-TS-RO-M40</p>	
<p>外壳上壳：顶部进线 Hood:Top entry</p> 	<p>PG29 PG36 M40</p>	<p>UTL-H48B-TG-RO-PG29 UTL-H48B-TG-RO-PG36 UTL-H48B-TG-RO-M40</p>	
<p>外壳底座：开孔安装 Bulkhead:mounted</p>  		<p>UTL-H48B-AG-LB</p> <p>UTL-H48B-AD-LB</p>	 
<p>外壳底座：表面安装 Surface mounted:Side entry</p> 	<p>PG29 PG36 M40</p>	<p>UTL-H48B-SGR-LB-PG29 UTL-H48B-SGR-LB-PG36 UTL-H48B-SGR-LB-M40</p>	 
	<p>PG29 PG36 M40</p>	<p>UTL-H48B-SDR-LB-PG29 UTL-H48B-SDR-LB-PG36 UTL-H48B-SDR-LB-M40</p>	