



# Set general introduction 常用套件组合

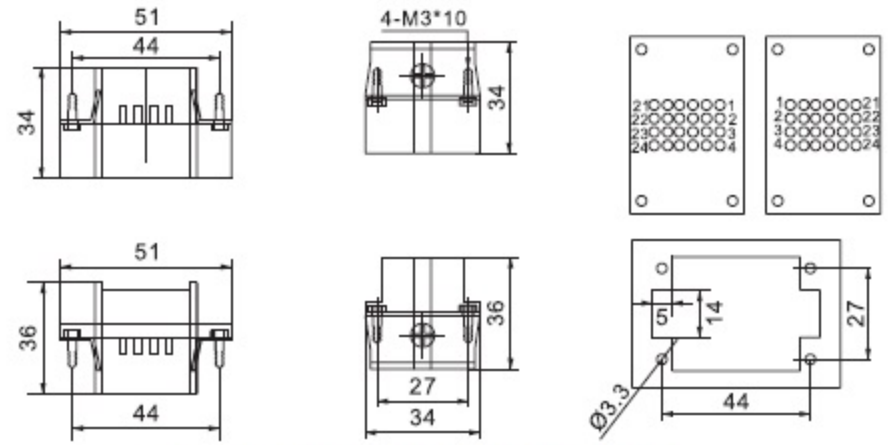
## UTL-HDD 系列 24 回路接插件套件 UTL-HDD series 24 Poles of connector



UTL-HDD-024-M



UTL-HDD-024-F

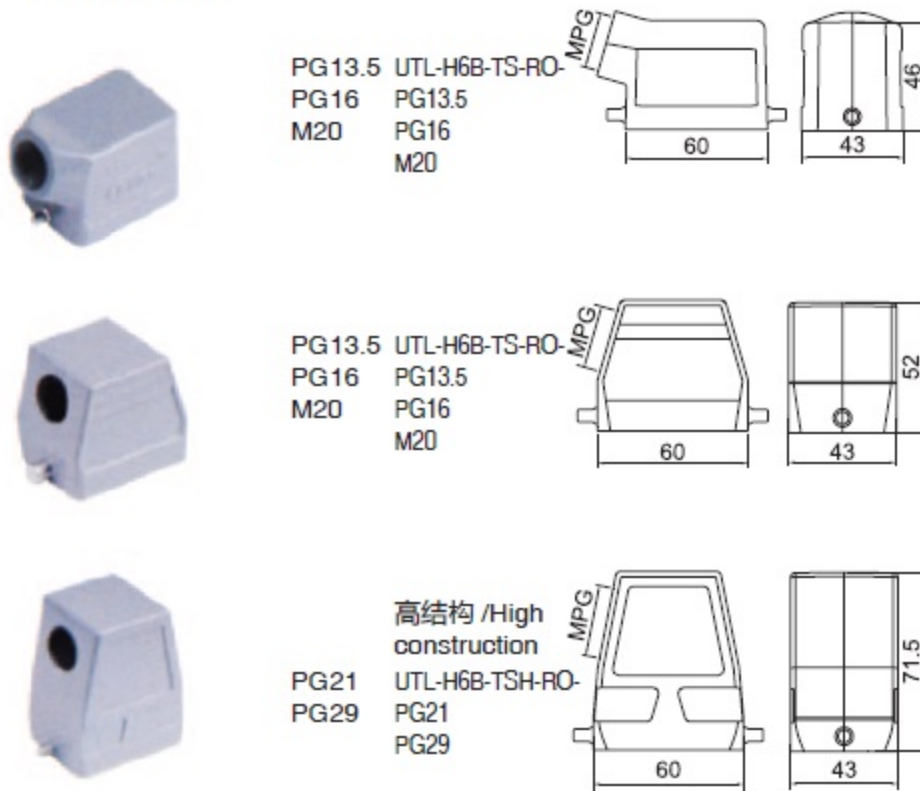


UTL-H6B 底座锁扣有普通金属锁扣和塑料保护盖

### 配套外壳 Suit hood/housing

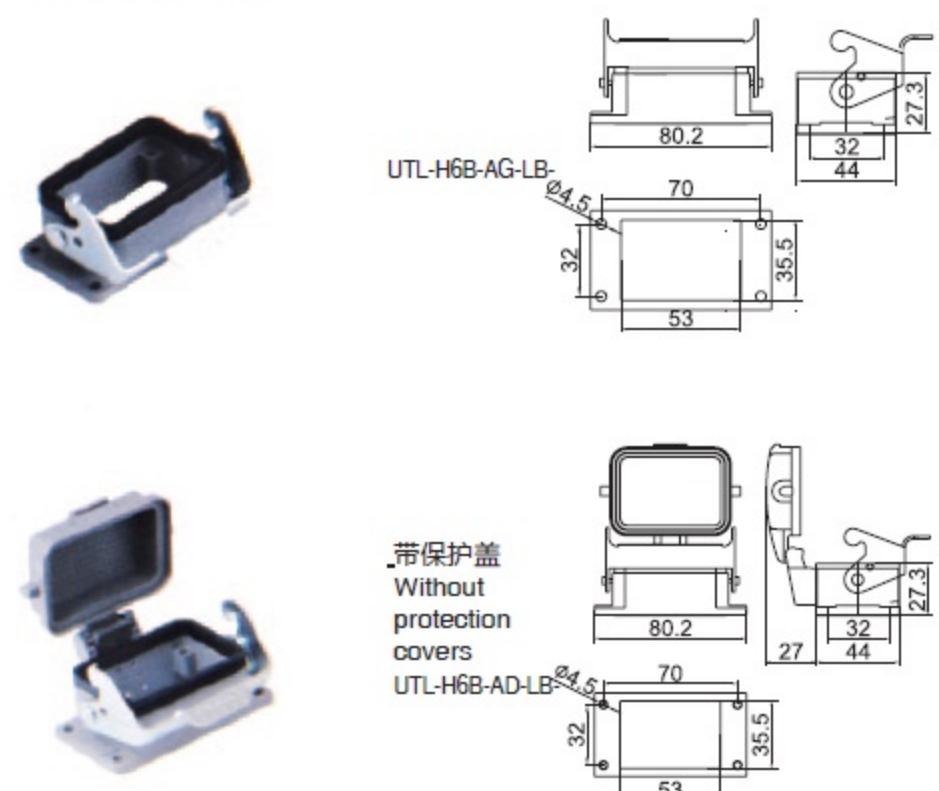
| UTL-H6B 上壳<br>UTL-H6B hood | 螺纹<br>Thread | 型号<br>Type | 图纸<br>Drawing |
|----------------------------|--------------|------------|---------------|
|----------------------------|--------------|------------|---------------|

外壳上壳：侧面进线  
Hood: Side entry

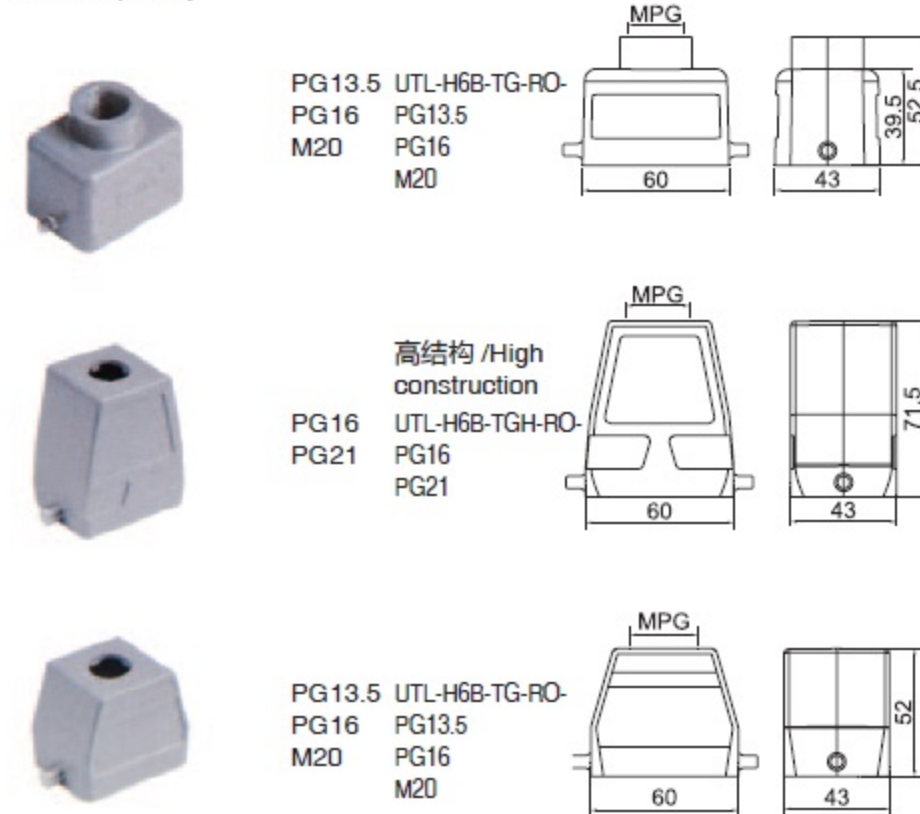


| UTL-H6B 底座<br>UTL-H6B housing | 螺纹<br>Thread | 型号<br>Type | 图纸<br>Drawing |
|-------------------------------|--------------|------------|---------------|
|-------------------------------|--------------|------------|---------------|

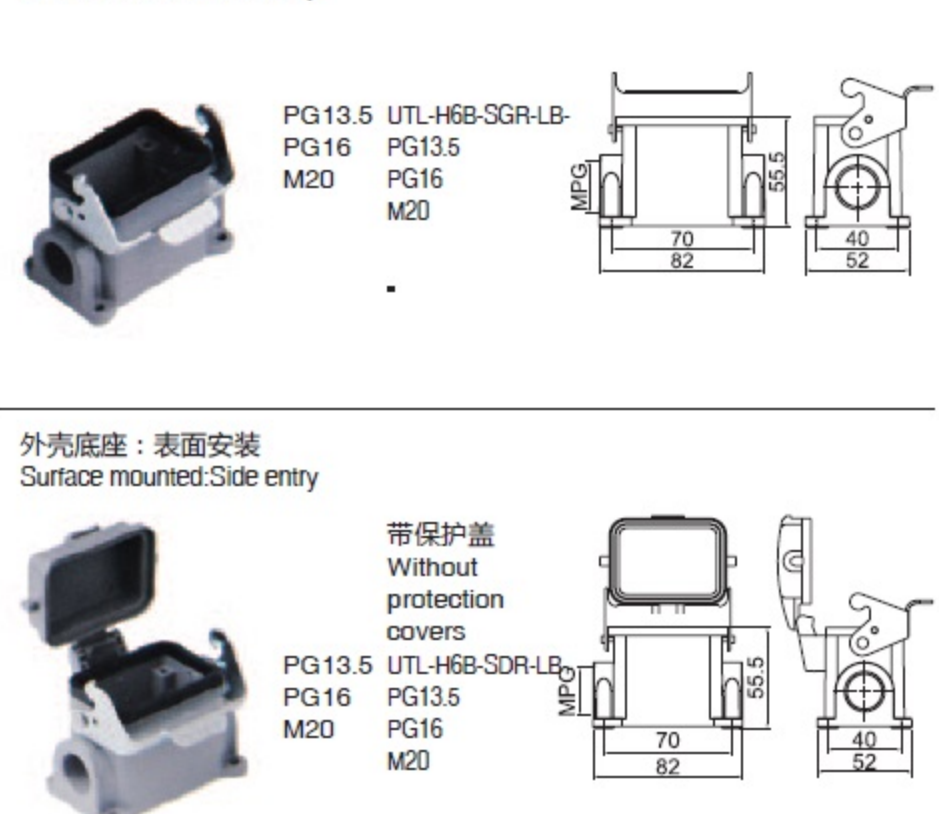
外壳底座：开孔安装  
Bulkhead: mounted



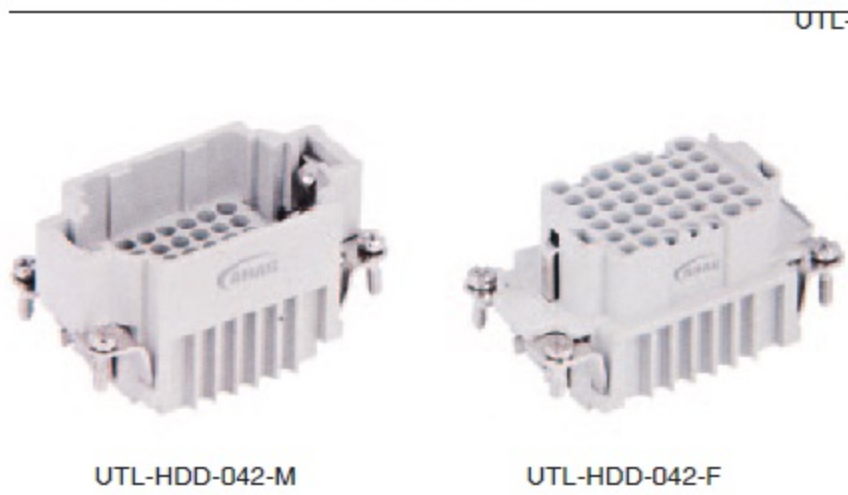
外壳上壳：顶部进线  
Hood: Top entry



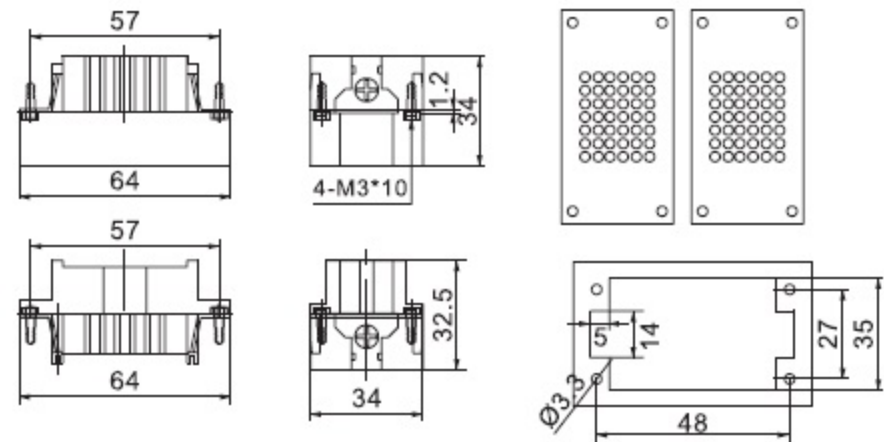
外壳底座：表面安装  
Surface mounted: Side entry



UTL-HDD 系列 42 回路接插件套件 UTL-HDD series 42 Poles of connector



UTL-

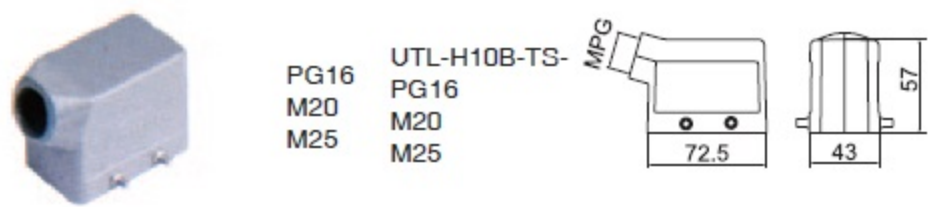


UTL-H10B 底座锁扣有普通金属单扣和塑料保护盖  
UTL-H10B 底座锁扣有普通金属双扣和塑料保护盖

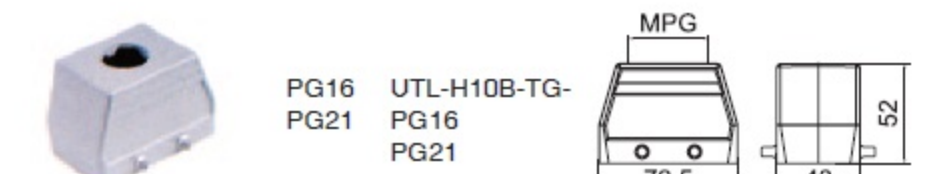
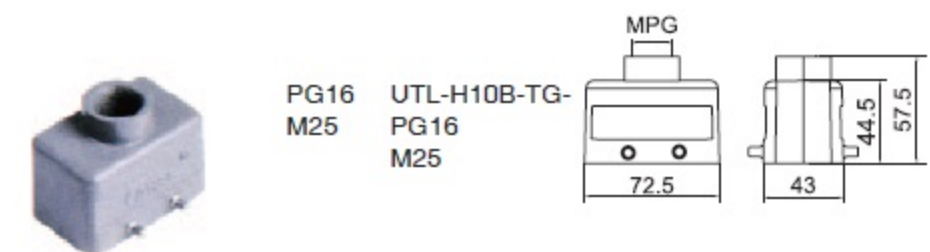
配套外壳 Suit hood/housing

| UTL-H32B 上壳<br>UTL-H32B hood | 螺纹<br>Thread | 型号<br>Type | 图纸<br>Drawing |
|------------------------------|--------------|------------|---------------|
|------------------------------|--------------|------------|---------------|

外壳上壳：侧面进线  
Hood:Side entry



外壳上壳：顶部进线  
Hood:Top entry

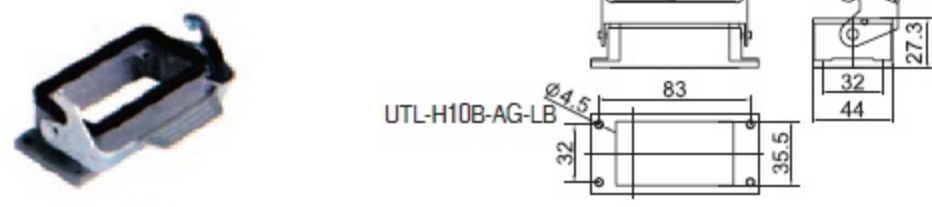
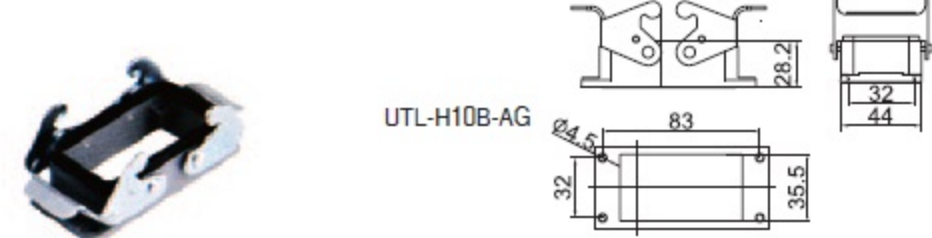


| UTL-H32B 上壳 / 底座螺纹<br>UTL-H32B hood/housing thread | 型号<br>Type | 图纸<br>Drawing |
|--|------------|---------------|
|--|------------|---------------|

外壳上壳：顶部进线  
Hood:Top entry



外壳底座：开孔安装  
Bulkhead:mounted



外壳底座：表面安装  
Surface mounted:Side entry





# Set general introduction 常用套件组合

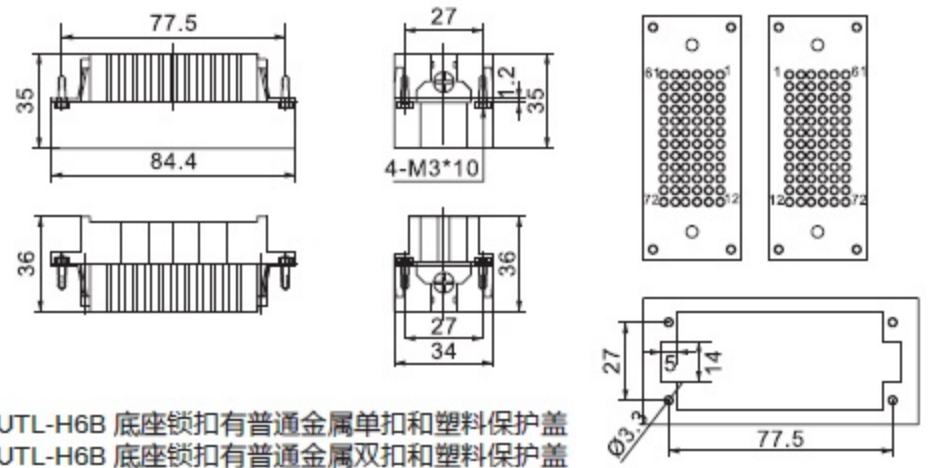
## UTL-HDD 系列 72 回路接插件套件 UTL-HDD series 72 Poles of connector



UTL-HDD-072-M



UTL-HDD-072-F



UTL-H6B 底座锁扣有普通金属单扣和塑料保护盖  
UTL-H6B 底座锁扣有普通金属双扣和塑料保护盖

### 配套外壳 Suit hood/housing

| UTL-H16B 上壳<br>UTL-H16B hood | 螺纹<br>Thread | 型号<br>Type | 图纸<br>Drawing |
|------------------------------|--------------|------------|---------------|
|------------------------------|--------------|------------|---------------|

外壳上壳：侧面进线  
Hood: Side entry

|  |                    |   |  |
|--|--------------------|---|--|
|  | PG21<br>M25<br>M32 | UTL-H16B-TS-<br>PG21<br>M25<br>M32                  |  |
|  | PG29               | 高结构 / High<br>construction<br>UTL-H16B-TSH-<br>PG29 |  |
|  | PG21<br>M25<br>M32 | H16B-TSB-<br>PG21<br>M25<br>M32                     |  |

侧面带双扣上壳  
Side entry housing with 2 levers

|  |                    |                                    |  |
|--|--------------------|------------------------------------|--|
|  | PG21<br>M25<br>M32 | UTL-H16B-TS-<br>PG21<br>M25<br>M32 |  |
|--|--------------------|------------------------------------|--|

外壳上壳：顶部进线  
Hood: Top entry

|  |                    |                                       |  |
|--|--------------------|---------------------------------------|--|
|  | PG21<br>M25<br>M32 | UTL-H16B-TG-<br>PG21<br>M25<br>M32    |  |
|  | PG21<br>M25<br>M32 | UTL-H16B-TG-RO-<br>PG21<br>M25<br>M32 |  |

| UTL-H16B 上壳 / 底座<br>UTL-H16B hood/housing | 螺纹<br>Thread | 型号<br>Type | 图纸<br>Drawing |
|---|--------------|------------|---------------|
|---|--------------|------------|---------------|

外壳上壳：顶部进线  
Hood: Top entry

|  |      |                          |  |
|--|------|--------------------------|--|
|  | PG29 | UTL-H16B-TGH-RO-<br>PG29 |  |
|--|------|--------------------------|--|

顶部带双扣上壳  
Top entry housing with 2 levers

|  |                    |                                     |  |
|--|--------------------|-------------------------------------|--|
|  | PG21<br>M25<br>M32 | UTL-H16B-TGB-<br>PG21<br>M25<br>M32 |  |
|--|--------------------|-------------------------------------|--|

外壳底座：开孔安装  
Bulkhead: mounted

|  |     |                    |  |
|--|-----|--------------------|--|
|  | M32 | UTL-H16B-AG<br>M32 |  |
|--|-----|--------------------|--|

|  |  |                |  |
|--|--|----------------|--|
|  |  | UTL-H16B-AD-BO |  |
|--|--|----------------|--|

外壳底座：表面安装  
Surface mounted: Side entry

|  |             |                              |  |
|--|-------------|------------------------------|--|
|  | PG21<br>M25 | UTL-H16B-SGR-<br>PG21<br>M25 |  |
|--|-------------|------------------------------|--|

|  |                    |                                       |  |
|--|--------------------|---------------------------------------|--|
|  | PG21<br>M25<br>M32 | UTL-H16B-DR-BO-<br>PG21<br>M25<br>M32 |  |
|--|--------------------|---------------------------------------|--|

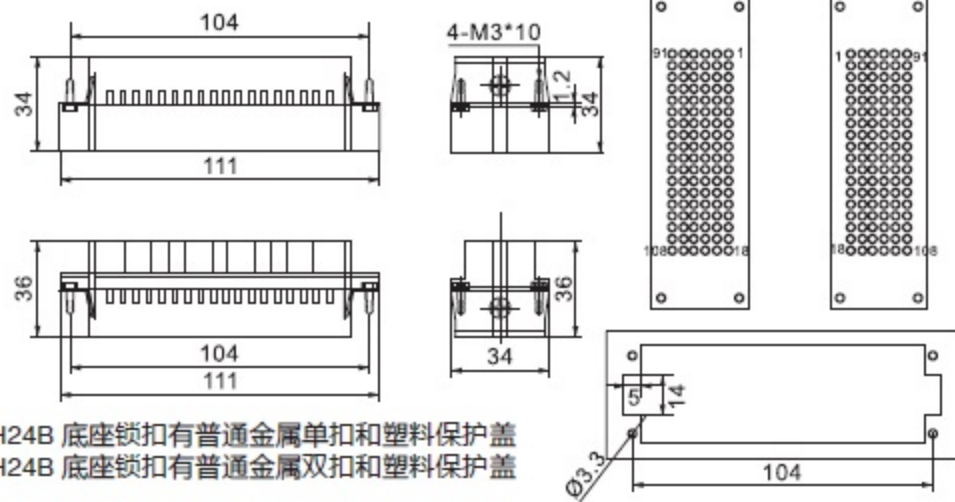
UTL-HDD 系列 108 回路接插件套件 UTL-HDD series 108 Poles of connector



UTL-HDD-108-M



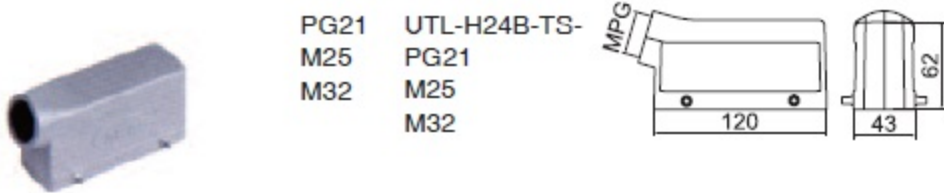
UTL-HDD-108-F



配套外壳 Suit hood/housing

| UTL-H24B 上壳<br>UTL-H24B hood | 螺纹<br>Thread | 型号<br>Type | 图纸<br>Drawing |
|------------------------------|--------------|------------|---------------|
|------------------------------|--------------|------------|---------------|

外壳上壳：侧面进线  
Hood:Side entry

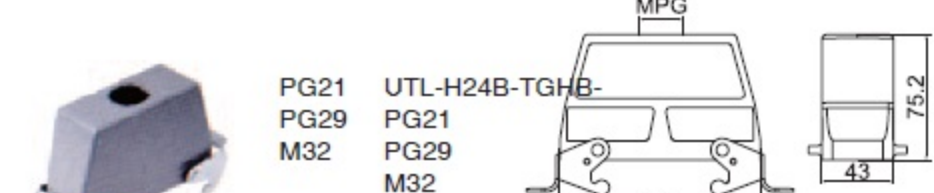


外壳上壳：顶部进线  
Hood:Top entry

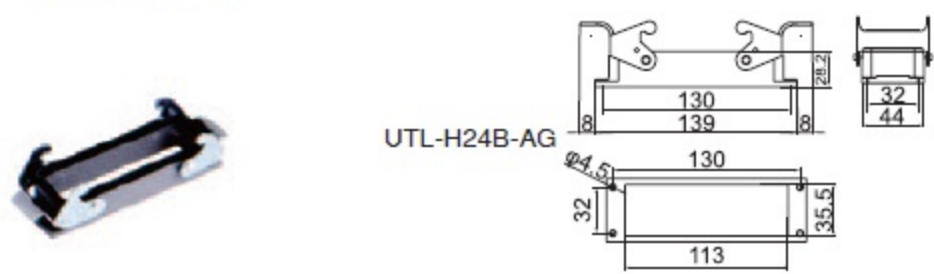


| UTL-H24B 上壳/底座<br>UTL-H24B hood/housing | 螺纹<br>Thread | 型号<br>Type | 图纸<br>Drawing |
|---|--------------|------------|---------------|
|---|--------------|------------|---------------|

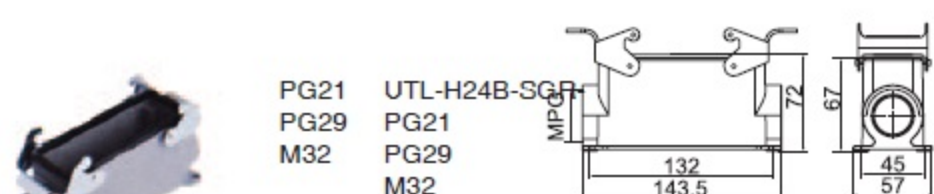
外壳上壳：顶部进线  
Hood:Top entry



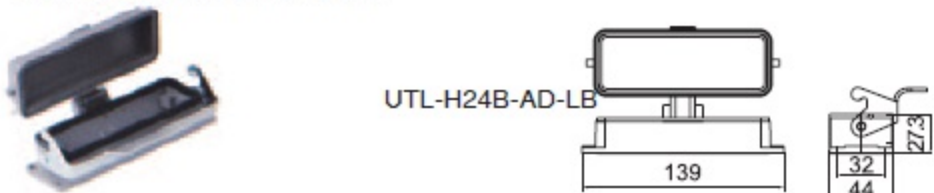
外壳底座：开孔安装  
Bulkhead:mounted



外壳底座：表面安装  
Surface mounted:Side entry



4 耳带盖底座  
Bulkhead mounted with 2 bolts





# Set general introduction 常用套件组合

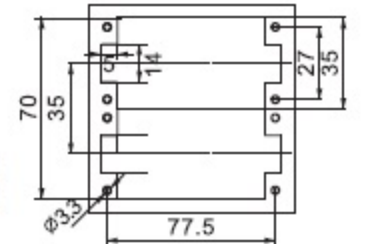
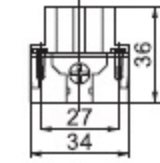
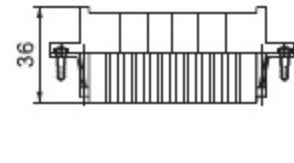
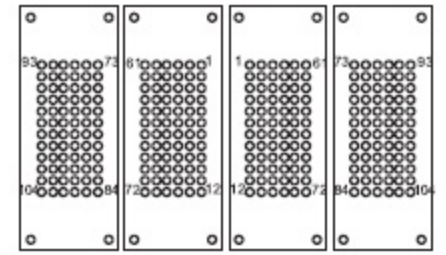
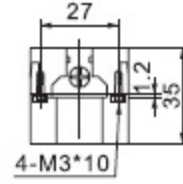
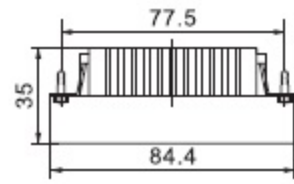
## UTL-HDD 系列 144 回路接插件套件 UTL-HDD series 144 Poles of connector



UTL-HDD-072-M(1~72)  
UTL-HDD-072-M(73~144)



UTL-HDD-072-F(1~72)  
UTL-HDD-072-F(73~144)



UTL-H32B 底座锁扣有普通金属单扣和塑料保护盖  
UTL-H32B 底座锁扣有普通金属双扣和塑料保护盖

### 配套外壳 Suit hood/housing

| UTL-H32B 上壳<br>UTL-H32B hood | 螺纹<br>Thread | 型号<br>Type | 图纸<br>Drawing |
|------------------------------|--------------|------------|---------------|
|------------------------------|--------------|------------|---------------|

外壳上壳：侧面进线  
Hood: Side entry

| UTL-H32B 底座<br>UTL-H32 B housing | 螺纹<br>Thread | 型号<br>Type | 图纸<br>Drawing |
|----------------------------------|--------------|------------|---------------|
|----------------------------------|--------------|------------|---------------|

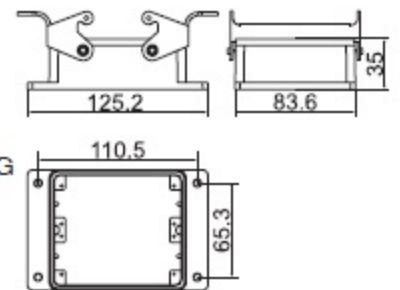
外壳底座：开孔安装  
Bulkhead: mounted



PG29 M32 UTL-H32B-TS-PG29 M32



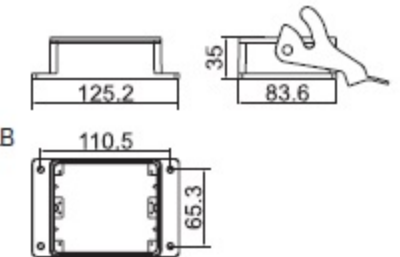
UTL-H32B-TS-M32 housing



PG29 M32 UTL-H32B-TS-RO-PG29 M32



UTL-H32B-TS-RO-M32 housing

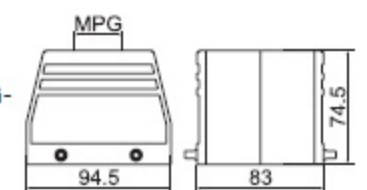


外壳上壳：顶部进线  
Hood: Top entry

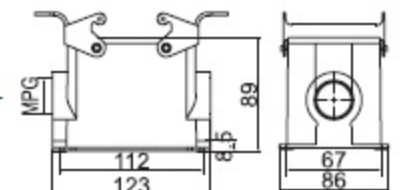
外壳底座：开孔安装  
Bulkhead: mounted



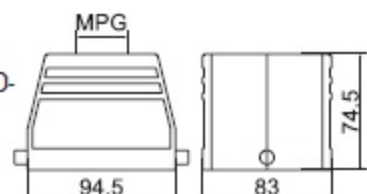
PG29 M32 UTL-H32B-TG-PG29 M32



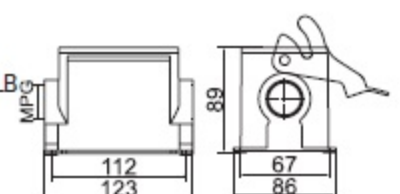
PG29 M32 UTL-H32B-TG-PG29 M32 housing



PG29 M32 UTL-H32B-TG-RO-PG29 M32



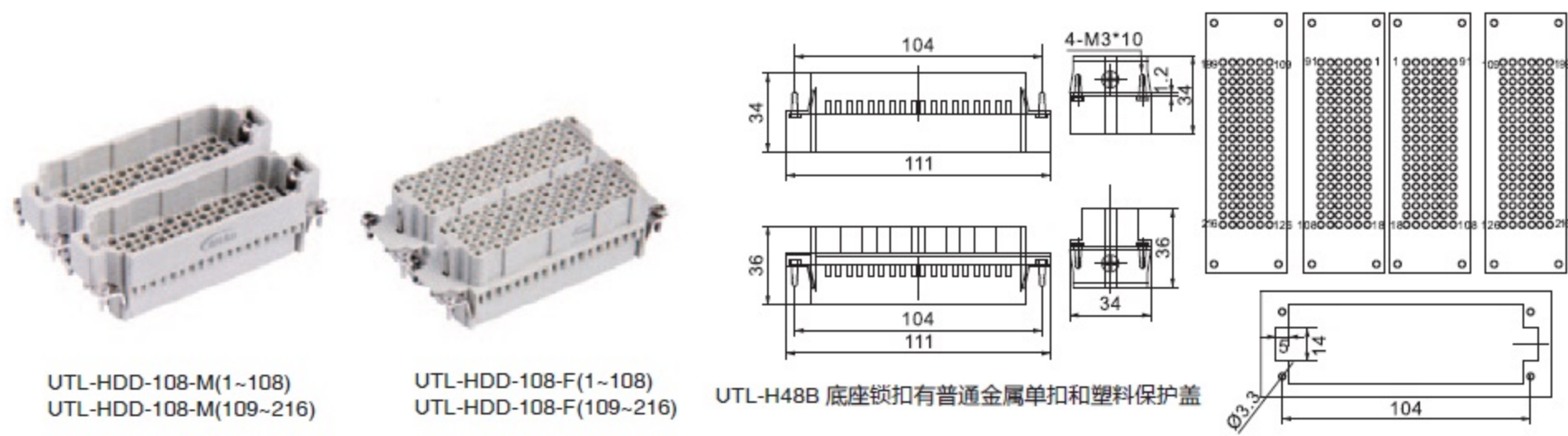
PG29 M32 UTL-H32B-TG-RO-PG29 M32 housing




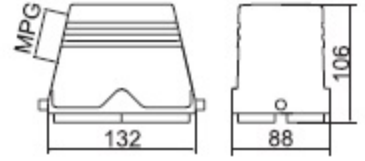

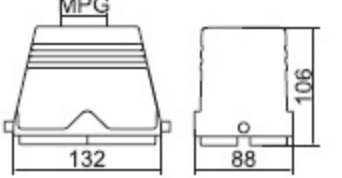

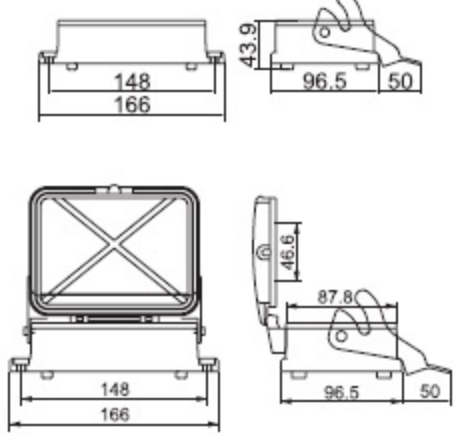

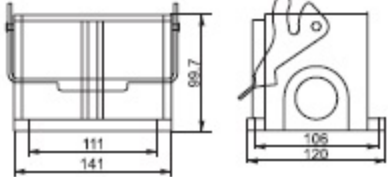

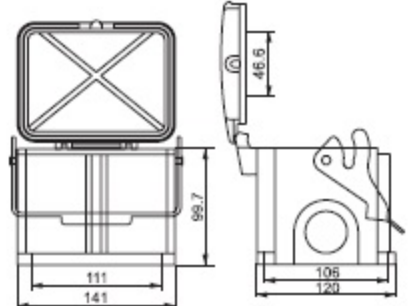
# Set general introduction 常用套件组合



## UTL-HDD 系列 216 回路接插件套件 UTL-HDD series 216 Poles of connector



### 配套外壳 Suit hood/housing

| H48B 上壳 / 底座<br>H48B hood/housing  | 螺纹<br>Thread        | 型号<br>Type  | 图纸<br>Drawing   |
|--|---------------------|---|---|
| 外壳上壳：侧面进线<br>Hood:Side entry<br>            | PG29<br>PG36<br>M40 | UTL-H48B-TS-RO-PG29<br>UTL-H48B-TS-RO-PG36<br>UTL-H48B-TS-RO-M40    |  |
| 外壳上壳：顶部进线<br>Hood:Top entry<br>             | PG29<br>PG36<br>M40 | UTL-H48B-TG-RO-PG29<br>UTL-H48B-TG-RO-PG36<br>UTL-H48B-TG-RO-M40    |  |
| 外壳底座：开孔安装<br>Bulkhead:mounted<br>           |                     | UTL-H48B-AG-LB<br><br>UTL-H48B-AD-LB                                |  |
| 外壳底座：表面安装<br>Surface mounted:Side entry<br> | PG29<br>PG36<br>M40 | UTL-H48B-SGR-LB-PG29<br>UTL-H48B-SGR-LB-PG36<br>UTL-H48B-SGR-LB-M40 |  |
|   | PG29<br>PG36<br>M40 | UTL-H48B-SDR-LB-PG29<br>UTL-H48B-SDR-LB-PG36<br>UTL-H48B-SDR-LB-M40 |  |