
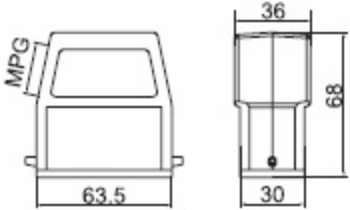

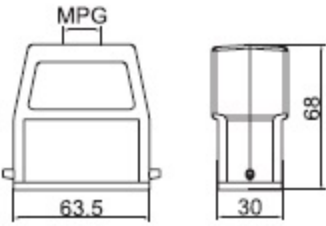

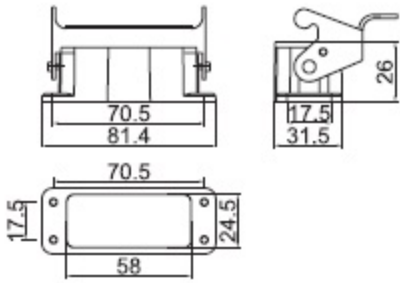

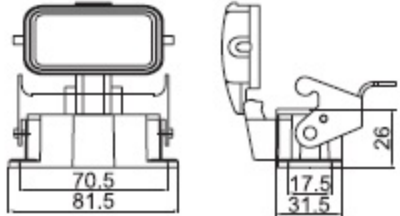

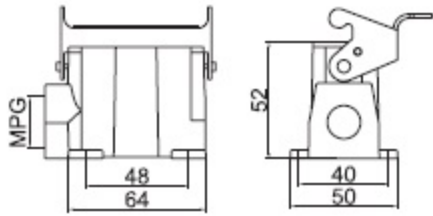



Set general introduction 常用套件组合

配套外壳 Suit hood/housing

UTL-H10A 上壳 / 底座 UTL-H10A hood/housing	螺纹 Thread	型号 Type	图纸 Drawing
外壳上壳：侧面进线 Hood:Side entry 	PG16 PG21	UTL-H10A-TSH-RO-PG16 UTL-H10A-TSH-RO-PG21	
外壳上壳：顶部进线 Hood:Top entry 	PG16 PG21	UTL-H10A-TGH-RO-PG16 UTL-H10A-TGH-RO-PG21	
		UTL-H10A-AG-LB	
		UTL-H10A-AD-LB	
外壳底座：表面安装 Surface mounted:Side entry 	PG16 PG21	UTL-H10A-SGR-LB-PG16 UTL-H10A-SGR-LB-PG21	
	PG16 PG21	UTL-H10A-SDR-LB-PG16 UTL-H10A-SDR-LB-PG21	