
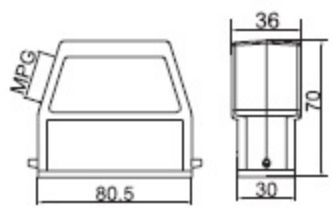

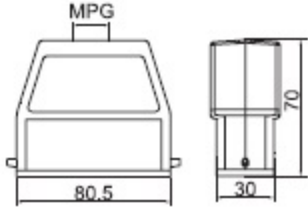


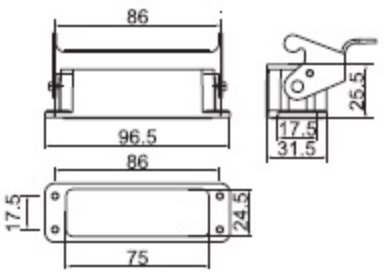
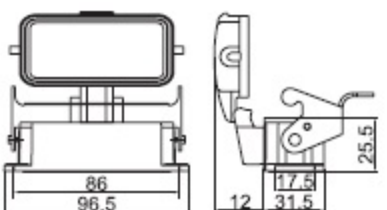




Set general introduction

常用套件组合

配套外壳 Suit hood/housing

UTL-H16A 上壳 / 底座 UTL-H16A hood/housing	螺纹 Thread	型号 Type	图纸 Drawing
<p>外壳上壳：侧面进线 Hood:Side entry</p> 	PG16 PG21	UTL-H16A-TSH-RO-PG16 UTL-H16A-TSH-RO-PG21	
<p>外壳上壳：顶部进线 Hood:Top entry</p> 	PG16 PG21	UTL-H16A-TGH-RO-PG16 UTL-H16A-TGH-RO-PG21	
<p>外壳底座：开孔安装 Surface mounted:mounted</p>  		UTL-H16A-AG-LB UTL-H16A-AD-LB	 
<p>外壳底座：表面安装 Surface mounted:Side entry</p>  	PG16 PG21 PG16 PG21	UTL-H16A-SGR-LB-PG16 UTL-H16A-SGR-LB-PG21 UTL-H16A-SDR-LB-PG16 UTL-H16A-SDR-LB-PG21	