

DC POWER JACKS FOR CABLE ASSEMBLY



DCJ-001



DCJ-002



DCJ-003



DCJ-004

P/N DCJ-001 DC JACK 2.1 x 5.5MM OPEN TYPE(2P)
P/N DCJ-002 DC JACK 2.5 x 5.5MM OPEN TYPE(2P)
P/N DCJ-003 DC JACK 2.1 x 5.5MM CLOSE TYPE(3P)
P/N DCJ-004 DC JACK 2.5 x 5.5MM CLOSE TYPE(3P)



DCJ-006



DCJ-007

P/N DCJ-005 DC JACK 2.1 x 5.5MM SMALL TYPE
P/N DCJ-006 DC JACK 2.5 x 5.5MM SMALL TYPE
P/N DCJ-007 DC JACK 2.1 x 5.5MM LARGE TYPE
P/N DCJ-008 DC JACK 2.5 x 5.5MM LARGE TYPE



DCJ-009



DCJ-010

P/N DCJ-009 DC JACK 2.1 x 5.5MM
 CHASSIS MOUNT TYPE
P/N DCJ-010 DC JACK 2.5 x 5.5MM
 CHASSIS MOUNT TYPE



DCJ-107



DCJ-108

P/N DCJ-105 DC JACK 2.1 x 5.5MM SMALL TYPE
P/N DCJ-106 DC JACK 2.5 x 5.5MM SMALL TYPE
P/N DCJ-107 DC JACK 2.1 x 5.5MM LARGE TYPE
P/N DCJ-108 DC JACK 2.5 x 5.5MM LARGE TYPE

P/N DCJ-201
 I.D. 2.1MM
 DC CHASSIS JACK



P/N DCJ-202
 I.D. 2.5MM
 DC CHASSIS JACK



P/N DCJ-305
 I.D. 1.0MM DC JACK WITH
 PLASTIC HANDLE
P/N DCJ-306
 I.D. 1.3MM DC JACK WITH
 PLASTIC HANDLE



P/N DCJ-203
 I.D. 2.1MM
 DC JACK SHIELDED TYPE
P/N DCJ-204
 I.D. 2.5MM
 DC JACK SHIELDED TYPE



P/N DCJ-205
 I.D. 1.0MM DC JACK
P/N DCJ-206
 I.D. 1.3MM DC JACK



DIA. 2.00MM/2.5MM DC POWER JACK (1)

P/N	Dimension (m/m)	
DC20-01 DC25-01		<p style="text-align: center;">DC20-01</p>
DC20-03 DC25-03		<p style="text-align: center;">DC20-03</p>
Schematic Code (Normal Close)	SPECIFICATIONS	MATERIALS
	<ol style="list-style-type: none"> 1. Rating: 2A 16VDC 2. Withstanding voltage: AC 500V, 60Hz for 1 minute 3. Insulation resistance (initial): 100MΩ (min.) at 500V DC 4. Contact resistance (initial): 30mΩ (max.) at AC 100mA (max.) 1 KHz 5. Insertion & Extraction force: Initial : 0.3 to 3.0Kgs After life test: 0.2 to 3.0Kgs 6. Life test: 5,000 cycles unloading (20-30 cycle/minute) 	<ol style="list-style-type: none"> 1. Housing: Thermoplastic 2. Center pin: Nickel plating. 3. Terminal: Brass/Copper alloy Silver plating. <p>All materials must be RoHS compliant.</p>

ORDERING INFORMATION:

P/N DC 20 - 01

DIA. 2.0MM DC POWER JACK

P/N DC 25 - 01

DIA. 2.5MM DC POWER JACK

P/N DC 20 - 03

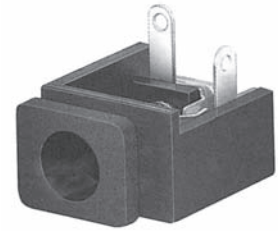
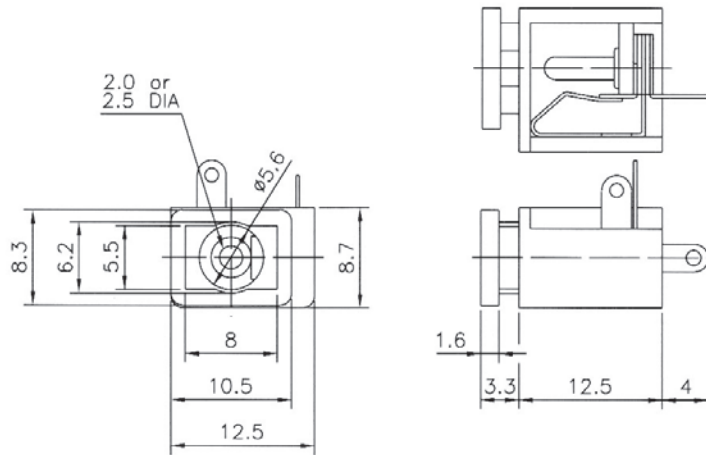
DIA. 2.0MM DC POWER JACK

P/N DC 25 - 03

DIA. 2.5MM DC POWER JACK

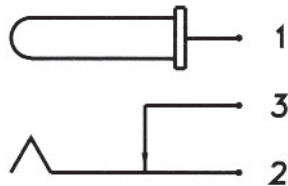
DIA. 2.00MM/2.5MM DC POWER JACK (2)

Dimension (m/m)



DC20-02/DC25-02

Schematic Code (Normal Close)



SPECIFICATIONS

1. **Rating:** 2A 16VDC
2. **Withstanding voltage:**
AC 500V, 60Hz for 1 minute
3. **Insulation resistance (initial):**
100MΩ (min.) at 500V DC
4. **Contact resistance (initial):**
30mΩ (max.) at AC 100mA (max.) 1 KHz
5. **Insertion & Extraction force:**
Initial : 0.3 to 3.0Kgs
After life test: 0.2 to 3.0Kgs
6. **Life test:**
5,000 cycles unloading (20-30 cycle/minute)

MATERIALS

1. **Housing:** Thermoplastic
 2. **Center pin:** Nickel plating.
 3. **Terminal:** Brass/Copper alloy Silver plating.
- All materials must be RoHS compliant.**

ORDERING INFORMATION:

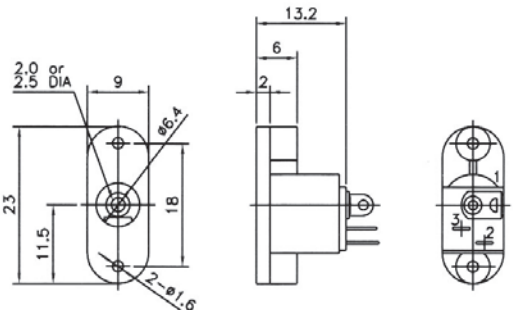

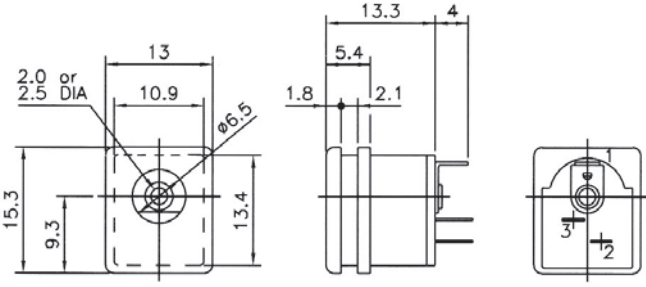

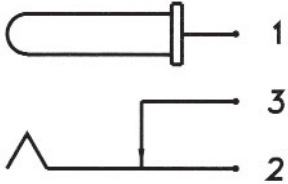
P/N D C 2 0 - 0 2

DIA. 2.0MM DC POWER JACK

P/N D C 2 5 - 0 2

DIA. 2.5MM DC POWER JACK

DIA. 2.00MM/2.5MM DC POWER JACK (3)

P/N	Dimension (m/m)	
DC20-04/ DC25-04		 <p style="text-align: center;">DC20-04</p>
DC20-06/ DC25-06		 <p style="text-align: center;">DC20-06</p>
Schematic Code (Normal Close)	SPECIFICATIONS	
	<ol style="list-style-type: none"> 1. Rating: 2A 16VDC 2. Withstanding voltage: AC 500V, 60Hz for 1 minute 3. Insulation resistance (initial): 100MΩ (min.) at 500V DC 4. Contact resistance (initial): 30mΩ (max.) at AC 100mA (max.) 1 KHz 5. Insertion & Extraction force: Initial : 0.3 to 3.0Kgs After life test: 0.2 to 3.0Kgs 6. Life test: 5,000 cycles unloading (20-30 cycle/minute) 	
MATERIALS		
<ol style="list-style-type: none"> 1. Housing: Thermoplastic 2. Center pin: Nickel plating. 3. Terminal: Brass/Copper alloy Silver plating. <p>All materials must be RoHS compliant.</p>		

ORDERING INFORMATION:

P/N DC 20 - 04

DIA. 2.0MM DC POWER JACK

P/N DC 25 - 04

DIA. 2.5MM DC POWER JACK


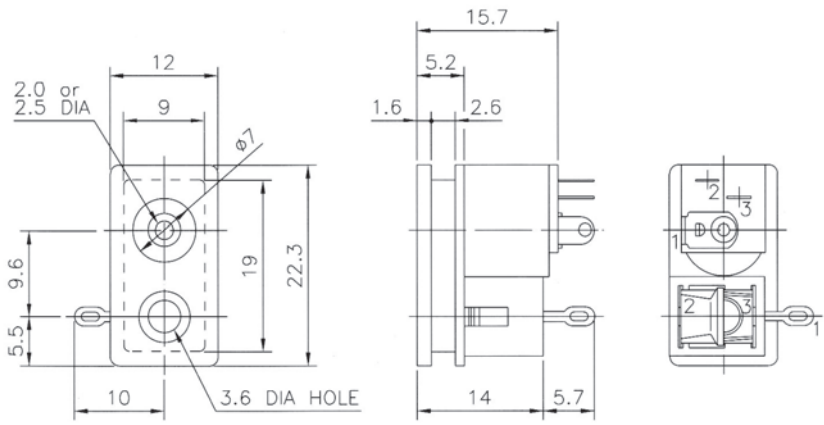
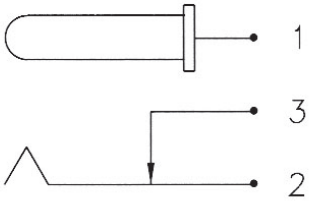
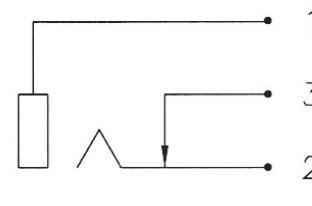
P/N DC 20 - 06

DIA. 2.0MM DC POWER JACK

P/N DC 25 - 06

DIA. 2.5MM DC POWER JACK

DIA. 2.00MM/2.5MM DC POWER JACK (4)

Dimension (m/m)		
		
DC20-07		
Schematic Code (Normal Close)		SPECIFICATIONS 1. Rating: 2A 16VDC 2. Withstanding voltage: AC 500V, 60Hz for 1 minute 3. Insulation resistance (initial): 100MΩ (min.) at 500V DC 4. Contact resistance (initial): 30mΩ (max.) at AC 100mA (max.) 1 KHz 5. Insertion & Extraction force: Initial : 0.3 to 3.0Kgs After life test: 0.2 to 3.0Kgs 6. Life test: 5,000 cycles unloading (20-30 cycle/minute) MATERIALS 1. Housing: Thermoplastic 2. Center pin: Nickel plating. 3. Terminal: Brass/Copper alloy Silver plating. All materials must be RoHS compliant.
		
DC Power Jack	3.5φ Phone Jack	

ORDERING INFORMATION:

P/N DC 20 - 07

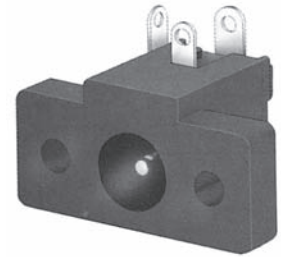
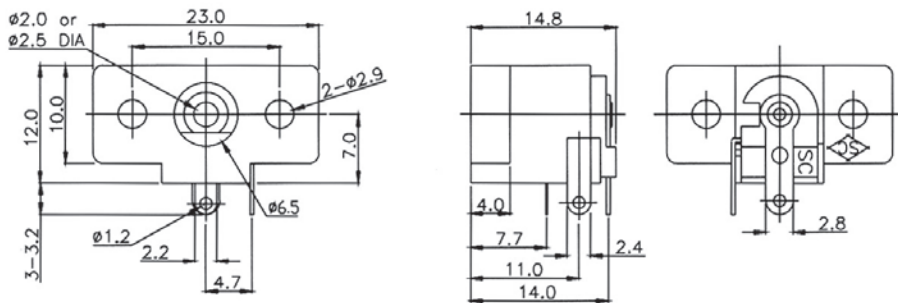
DIA. 2.0MM DC POWER JACK
WITH DIA. 3.5MM PHONE JACK

P/N DC 25 - 07

DIA. 2.5MM DC POWER JACK
WITH DIA. 3.5MM PHONE JACK

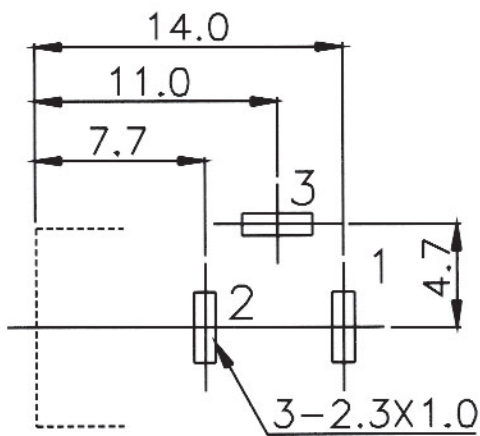
DIA. 2.00MM/2.5MM DC POWER JACK (8)

Dimension (m/m)

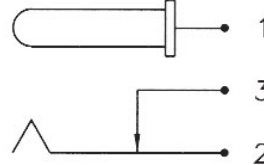


DC20-21

Pin Hole Layout (Jack Bottom View)



Schematic Code (Normal Close)



SPECIFICATIONS

- Rating:** 2A 16VDC
- Withstanding voltage:** AC 500V, 60Hz for 1 minute
- Insulation resistance (initial):** 100M Ω (min.) at 500V DC
- Contact resistance (initial):** 30m Ω (max.) at AC 100mA (max.) 1 KHz
- Insertion & Extraction force:**
 - Initial : 0.3 to 3.0Kgs
 - After life test: 0.2 to 3.0Kgs
- Life test:** 5,000 cycles unloading (20-30 cycle/minute)

MATERIALS

- Housing:** Thermoplastic
 - Center pin:** Nickel plating.
 - Terminal:** Brass/Copper alloy Silver plating.
- All materials must be RoHS compliant.

ORDERING INFORMATION:


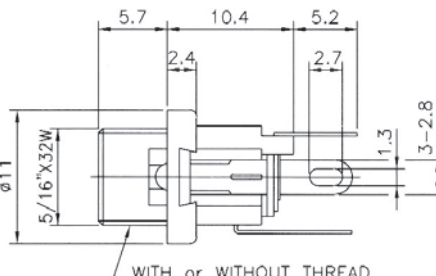
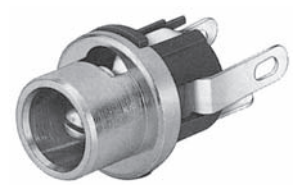
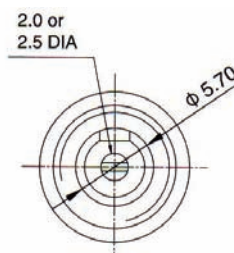
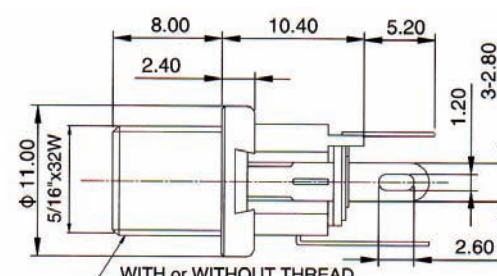


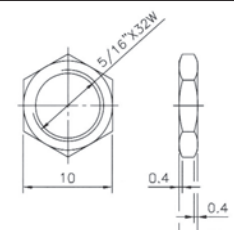

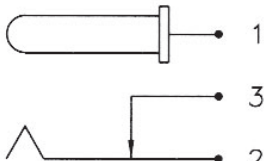
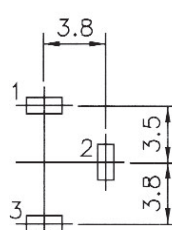
P/N DC 20 - 21

DIA. 2.0MM DC POWER JACK
H=8.5MM

P/N DC 25 - 21

DIA. 2.5MM DC POWER JACK
H=8.5MM

DIA. 2.00MM/2.5MM DC POWER JACK (9)

P/N	Dimension (m/m)		
DC20-22 DC20-08			
DC20-79 DC20-80			
		Schematic Code (Normal Close)	
Washer	Nut		DC20-80
Pin Hole Layout (Jack Bottom View)	SPECIFICATIONS	MATERIALS	
	<ol style="list-style-type: none"> Rating: 2A 16VDC Withstanding voltage: AC 500V, 60Hz for 1 minute Insulation resistance (initial): 100MΩ (min.) at 500V DC Contact resistance (initial): 30mΩ (max.) at AC 100mA (max.) 1 KHz Insertion & Extraction force: Initial : 0.3 to 3.0Kgs After life test: 0.2 to 3.0Kgs Life test: 5,000 cycles unloading (20-30 cycle/minute) 	<ol style="list-style-type: none"> Housing: Thermoplastic Center pin: Nickel plating. Terminal: Brass/Copper alloy Silver plating. <p>All materials must be RoHS compliant.</p>	

ORDERING INFORMATION:

P/N DC 20 - 22
P/N DC 20 - 79

DIA. 2.0MM DC POWER JACK
W/O NUT & WASHER W/O THREAD

P/N DC 25 - 22
P/N DC 25 - 79

DIA. 2.5MM DC POWER JACK
W/O NUT & WASHER W/O THREAD

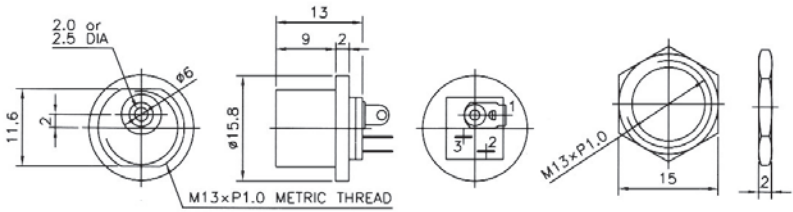

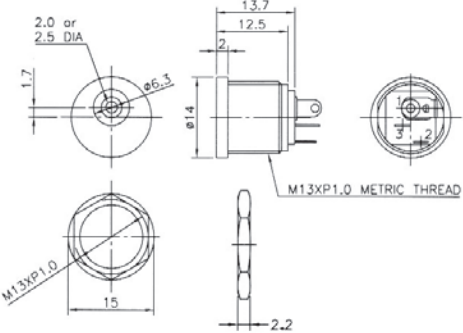

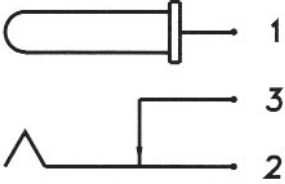
P/N DC 20 - 08
P/N DC 20 - 80

DIA. 2.0MM DC POWER JACK
WITH NUT & WASHER WITH THREAD

P/N DC 25 - 08
P/N DC 25 - 80

DIA. 2.5MM DC POWER JACK
WITH NUT & WASHER WITH THREAD

DIA. 2.00MM/2.5MM DC POWER JACK (18)

P/N	Dimension (m/m)	
DC20-05 DC25-05		 <p style="text-align: center;">DC20-05</p>
DC20-39 DC25-39		 <p style="text-align: center;">DC20-39</p>
Schematic Code (Normal Close)	SPECIFICATIONS	
	MATERIALS 1. Housing: Thermoplastic 2. Center pin: Nickel plating. 3. Terminal: Brass/Copper alloy Silver plating. All materials must be RoHS compliant.	
1. Rating: 2A 16VDC 2. Withstanding voltage: AC 500V, 60Hz for 1 minute 3. Insulation resistance (initial): 100MΩ (min.) at 500V DC 4. Contact resistance (initial): 30mΩ (max.) at AC 100mA (max.) 1 KHz 5. Insertion & Extraction force: Initial : 0.3 to 3.0Kgs After life test: 0.2 to 3.0Kgs 6. Life test: 5,000 cycles unloading (20-30 cycle/minute)		

ORDERING INFORMATION:

P/N DC 20 - 05

DIA. 2.0MM DC POWER JACK

P/N DC 25 - 05

DIA. 2.5MM DC POWER JACK

P/N DC 20 - 39

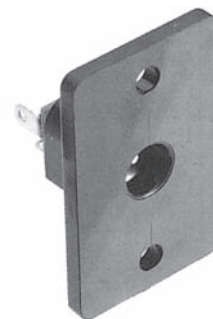
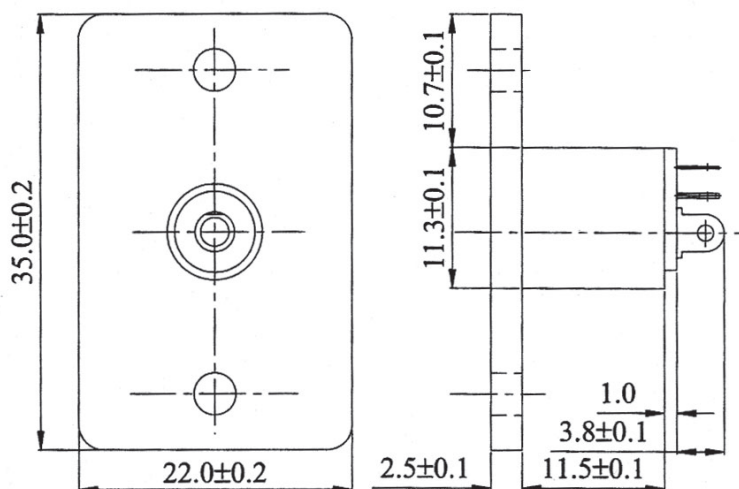
DIA. 2.0MM DC POWER JACK

P/N DC 25 - 39

DIA. 2.5MM DC POWER JACK

DIA. 2.00MM/2.5MM DC POWER JACK (32)

Pin Hole Layout (Bottom View)



DC20-76/DC25-76

SPECIFICATIONS

- 1. Rating:** 2A 16VDC
- 2. Withstanding voltage:**
AC 500V, 60Hz for 1 minute
- 3. Insulation resistance (initial):**
100M Ω (min.) at 500V DC
- 4. Contact resistance (initial):**
30m Ω (max.) at AC 100mA (max.) 1 KHz
- 5. Insertion & Extraction force:**
Initial : 0.3 to 3.0Kgs
After life test: 0.2 to 3.0Kgs
- 6. Life test:**
5,000 cycles unloading (20-30 cycle/minute)

MATERIALS

- 1. Housing:** Thermoplastic
 - 2. Center pin:** Nickel plating.
 - 3. Terminal:** Brass/Copper alloy Silver plating.
- All materials must be RoHS compliant.

ORDERING INFORMATION:

P/N DC 20 - 76

DIA. 2.0MM DC POWER JACK

P/N DC 25 - 76

DIA. 2.5MM DC POWER JACK