

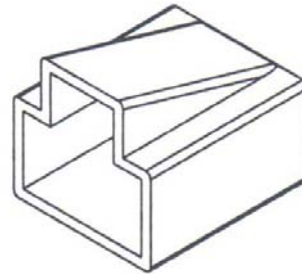
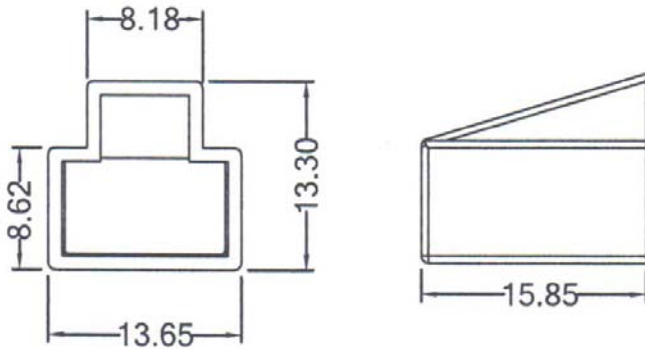
DUST COVER FOR RJ45 (8P) JACK & PLUG

MATERIALS

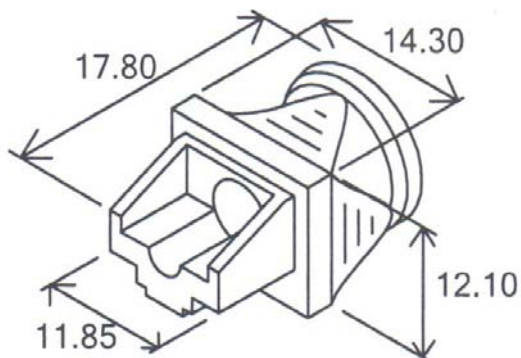
Body: PE or PVC

All materials must be RoHS compliant.

Unit: mm



DC45-01x



DC45-02x

ORDERING INFORMATION:

P/N DC45-01B

FOR 8P PLUG COLOR: BLACK

P/N DC45-01W

FOR 8P PLUG COLOR: WHITE

P/N DC45-02B

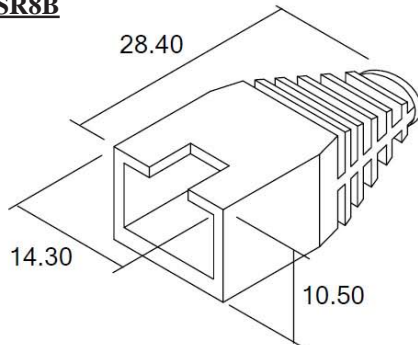
FOR 8P JACK COLOR: BLACK

P/N DC45-02A

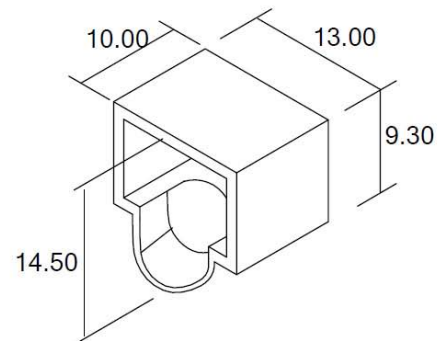
FOR 8P JACK COLOR: GRAY

PROTECTIVE COVERS FOR RJ45 (8P) PLUGS

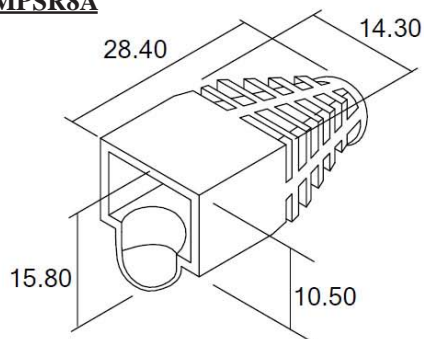
MPSR8B



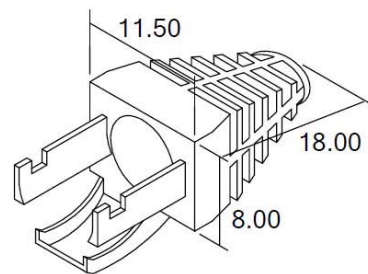
MPSR8D



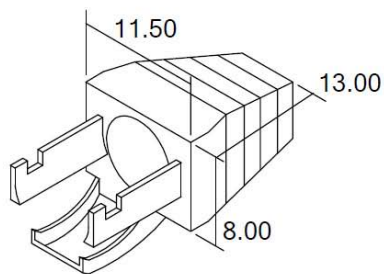
MPSR8A



MPSR8F



MPSR8E



ORDERING INFORMATION:

P/N M P S R $\frac{xx}{1}$ - $\frac{xxx}{2}$ $\frac{x}{3}$

1. MODULAR PLUG BOOT TYPE:

8A, 8B, 8D, 8E, 8F

2. ENTRANCE DIAMETER:

"55" DIA. 5.5MM

"60" DIA. 6.0MM

"65" DIA. 6.5MM

3. BOOT COLOR:

"B" BLACK (STANDARD)

"R" RED

"N" GREEN

"U" BLUE

"Y" YELLOW

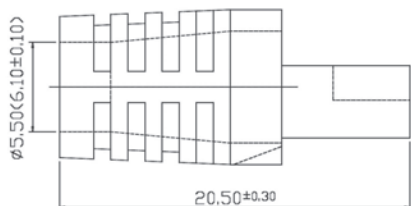
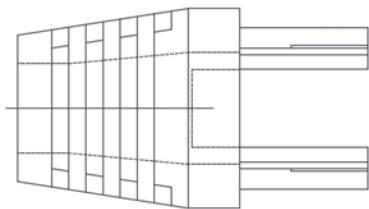
"A" GRAY

"V" IVORY

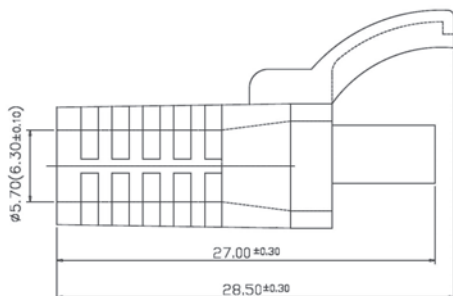
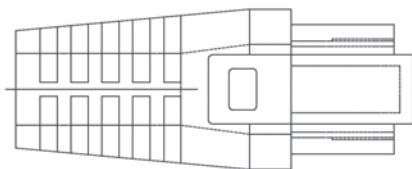
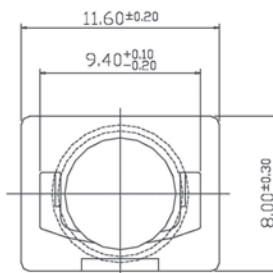
"W" WHITE

"O" ORANGE

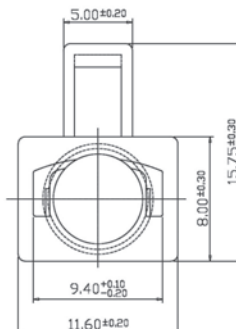
PROTECTIVE ABS + PVC COVERS FOR 8P MODULAR PLUGS



SR0815-xxx
SR0816-xxx



SR0818-xxx



ORDERING INFORMATION:

P/N SR08 $\frac{xx}{1}$ - $\frac{xx}{2}$ $\frac{W}{3}$

1. PROTETIVE COVER TYPE:

"15" $\varnothing 5.5\text{MM}$ & $\varnothing 6.1\text{MM}$

"16" $\varnothing 5.7\text{MM}$ & $\varnothing 6.3\text{MM}$

"18" $\varnothing 5.7\text{MM}$ & $\varnothing 6.3\text{MM}$

2. ENTRANCE DIAMETER:

"55" $\varnothing 5.5\text{MM}$ FOR SR0814

"57" $\varnothing 5.7\text{MM}$ FOR SR0813

"61" $\varnothing 6.1\text{MM}$ FOR SR0813

"63" $\varnothing 6.3\text{MM}$ FOR SR0814

3. COLOR OF ABS PART:

"A" GRAY

"B" BLACK

"E" BEIGE

"N" GREEN

"O" ORANGE

"R" RED

"U" BLUE

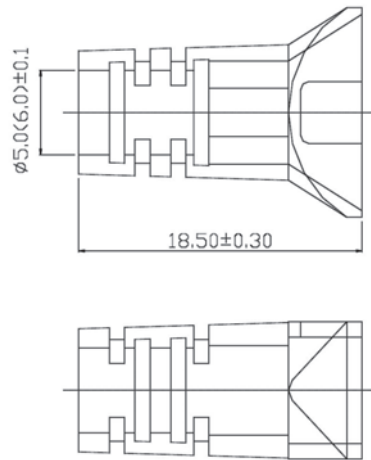
"V" IVORY

"Y" YELLOW

4. COLOR OF PVC PART:

"W" WHITE

PROTECTIVE COVERS FOR 8P MODULAR PLUGS

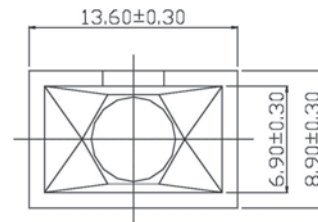


MATERIALS

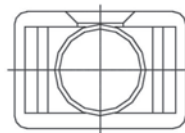
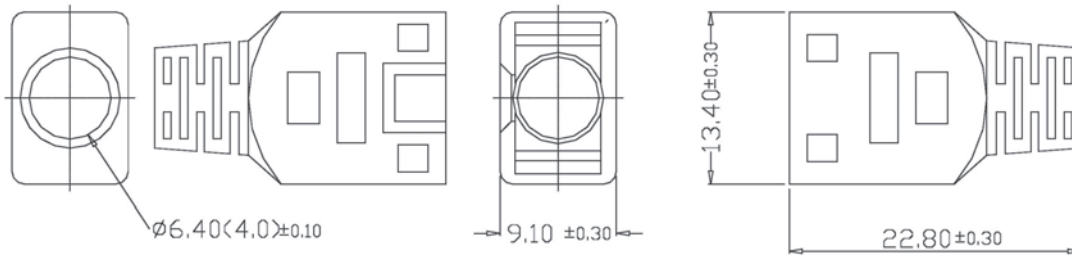
Body: PVC

All materials must be RoHS compliant.

Unit: mm



SR0813-xxx



MATERIALS

Body: ABS

All materials must be RoHS compliant.

Unit: mm

SR0814-xxx

ORDERING INFORMATION:

P/N SR08 $\frac{xx}{1}$ - $\frac{xxx}{23}$

1. PROTETIVE COVER TYPE:
 - "13" PVC (COLOR: B, W, A, N, Y)
 - "14" ABS (COLOR: B, W, A, N, R, U, Y)
2. ENTRANCE DIAMETER:
 - "40" $\phi 4.0$ MM FOR SR0814
 - "50" $\phi 5.0$ MM FOR SR0813
 - "60" $\phi 6.0$ MM FOR SR0813
 - "64" $\phi 6.4$ MM FOR SR0814
3. COVER COLOR:
 - "B" BLACK
 - "W" WHITE
 - "A" GRAY
 - "N" GREEN
 - "R" RED

"U" BLUE
"Y" YELLOW

NOTE: P/N SR0813 FOR MODULAR PLUG
P/N MP0661(62)-88Rxx,
P/N SR0814 FOR MODULAR PLUG
P/N MP7T-88Rxxx