

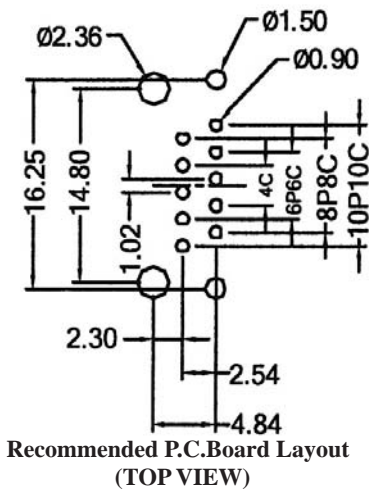
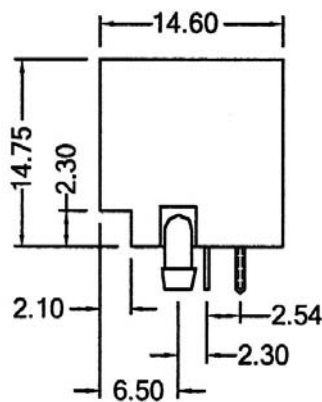
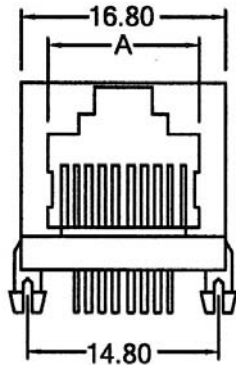
SIDE ENTRY UP LATCH MODULAR PCB JACK 6P+8P+10P PROFILE=14.75MM (FULLY SHIELDED)

SPECIFICATIONS

Insulation Resistance: 500MΩ Min.
Contact Resistance: 20mΩ Max.
Rating Current: 1.5A Max.
Rating Voltage: 120V AC.
Dielectric Voltage: 1000 Vrms 60 Sec. Min.
Temperature Range: -40°C / +85°C
Durability: 500 Mating cycles Min.

MATERIALS

Housing: PBT Glass Filled (UL 94V-0)
Soldering Temperature: 235°C
Color: Black
Spring Wire: Phosphor Bronze
 Gold plating Over Nickel
Shield: Brass plating Nickel Alloy
All materials must be RoHS compliant.



No. of Positions	No. of Contacts	A
6P(8P)	4C/6C	9.90
8P	8C	11.90
10P	10C	11.90

ORDERING INFORMATION:

P/N M J R 9 - $\frac{x}{1} \frac{x}{2} B$

1. NO. OF POSITIONS & CONTACTS:

"66" 6P6C
 "64" 6P4C
 "88" 8P8C
 "00" 10P10C

2. CONTACT FINISH:

"A" 6 MICROINCH GOLD
 "B" 15 MICROINCH GOLD
 "C" 30 MICROINCH GOLD
 "D" 50 MICROINCH GOLD

SIDE ENTRY UP LATCH MODULAR PCB JACK 8P+10P PROFILE=14.75MM (FULLY SHIELDED)

SPECIFICATIONS

Insulation Resistance: 500MΩ Min.

Contact Resistance: 20mΩ Max.

Rating Current: 1.5A Max.

Rating Voltage: 120V AC.

Dielectric Voltage: 1000 Vrms 60 Sec. Min.

Temperature Range: -40°C / +85°C

Durability: 500 Mating cycles Min.

MATERIALS

Housing: PBT Glass Filled (UL 94V-0)

Soldering Temperature: 235°C

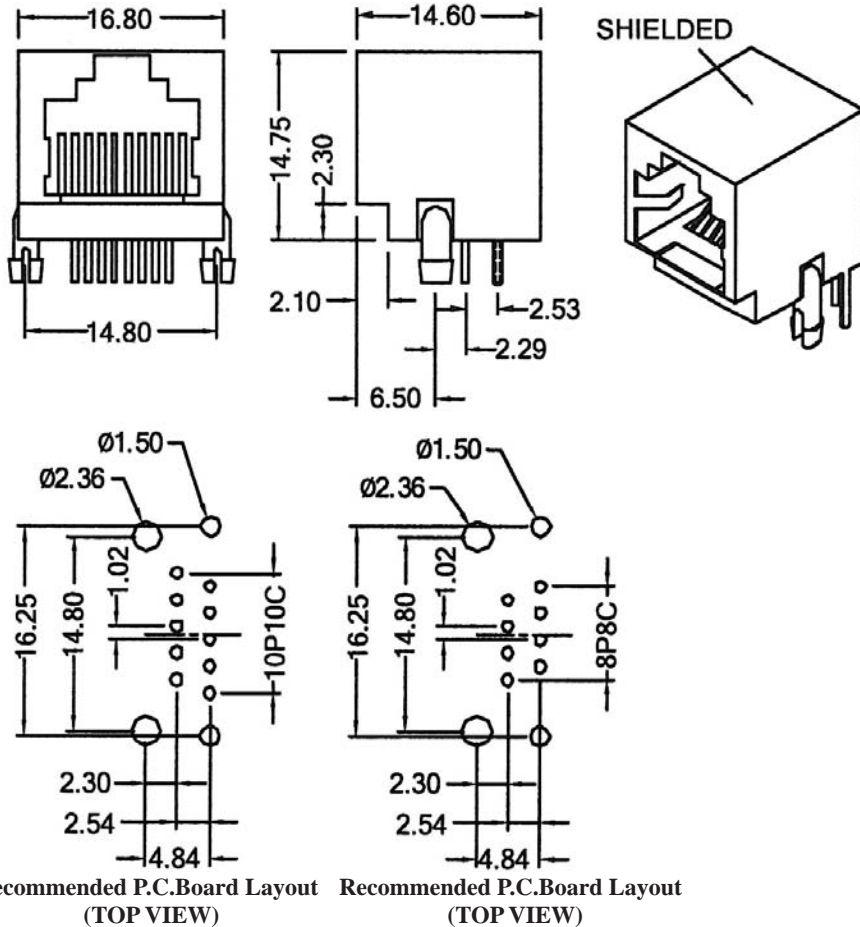
Color: Black & Gray

Spring Wire: Phosphor Bronze

Gold plating Over Nickel

Shield: Brass plating Nickel Alloy

All materials must be RoHS compliant.



ORDERING INFORMATION:

P/N M J S 2 - $\frac{x x x x}{1 2 3}$

1. NO. OF POSITIONS & CONTACTS:

"88" 8P8C

"00" 10P10C

2. CONTACT FINISH:

"A" 6 MICROINCH GOLD

"B" 15 MICROINCH GOLD

"C" 30 MICROINCH GOLD

"D" 50 MICROINCH GOLD

3. HOUSING COLOR:

"A" GRAY

"B" BLACK

SIDE ENTRY UP LATCH MODULAR PCB JACK 8P PROFILE=14.80MM (FULLY SHIELDED)

SPECIFICATIONS

Insulation Resistance: 500MΩ Min.

Contact Resistance: 20mΩ Max.

Rating Current: 1.5A Max.

Rating Voltage: 120V AC.

Dielectric Voltage: 1000 Vrms 60 Sec. Min.

Temperature Range: -40°C / +85°C

Durability: 500 Mating cycles Min.

MATERIALS

Housing: PBT Glass Filled (UL 94V-0)

Soldering Temperature: 235°C

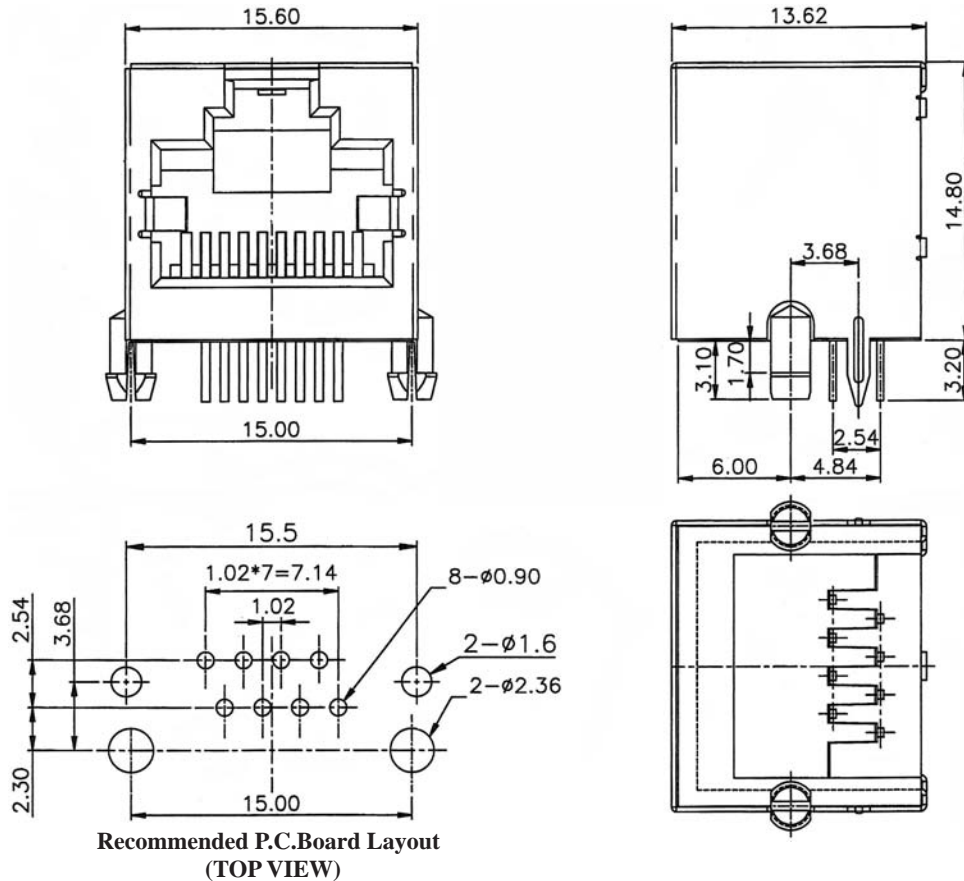
Color: Black

Spring Wire: Phosphor Bronze

Gold plating Over Nickel

Shield: Brass plating Nickel Alloy

All materials must be RoHS compliant.



ORDERING INFORMATION:

P/N M J 1 M - $\frac{x}{1} \frac{x}{2} B$

1. NO. OF POSITIONS & CONTACTS:

"88" 8P8C

"84" 8P4C

2. CONTACT FINISH:

"A" 6 MICROINCH GOLD

"B" 15 MICROINCH GOLD

"C" 30 MICROINCH GOLD

"D" 50 MICROINCH GOLD

"E" GOLD FLASH

SIDE ENTRY UP LATCH MODULAR PCB JACK PIN REVERSED TYPE 8P PROFILE=14.80MM (FULLY SHIELDED)

SPECIFICATIONS

Insulation Resistance: 500MΩ Min.

Contact Resistance: 20mΩ Max.

Rating Current: 1.5A Max.

Rating Voltage: 120V AC.

Dielectric Voltage: 1000 Vrms 60 Sec. Min.

Temperature Range: -40°C / +85°C

Durability: 500 Mating cycles Min.

MATERIALS

Housing: PBT Glass Filled (UL 94V-0)

Soldering Temperature: 235°C

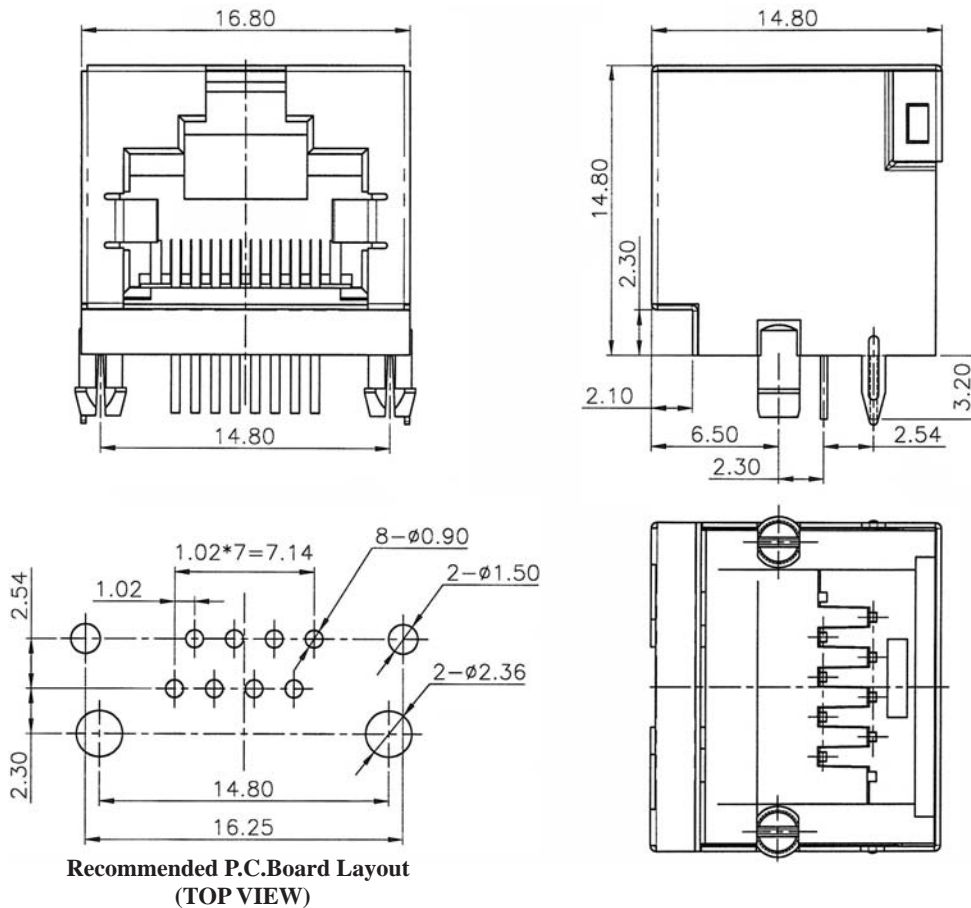
Color: Black

Spring Wire: Phosphor Bronze

Gold plating Over Nickel

Shield: Brass plating Nickel Alloy

All materials must be RoHS compliant.



Recommended P.C.Board Layout
(TOP VIEW)

ORDERING INFORMATION:

P/N M J 1 S - $\frac{x}{1} \frac{x}{2} B$

1. NO. OF POSITIONS & CONTACTS:

"88" 8P8C

"84" 8P4C

2. CONTACT FINISH:

"A" 6 MICROINCH GOLD

"B" 15 MICROINCH GOLD

"C" 30 MICROINCH GOLD

"D" 50 MICROINCH GOLD

NOTE: PIN REVERSED TYPE

SIDE ENTRY MODULAR PCB JACK 6P PROFILE=21.50MM (HALF SHIELDED)

SPECIFICATIONS

Insulation Resistance: 500MΩ Min.

Contact Resistance: 20mΩ Max.

Rating Current: 1.5A Max.

Rating Voltage: 120V AC.

Dielectric Voltage: 1000 Vrms 60 Sec. Min.

Temperature Range: -40°C / +85°C

Durability: 500 Mating cycles Min.

MATERIALS

Housing: PBT Glass Filled (UL 94V-0)

Soldering Temperature: 235°C

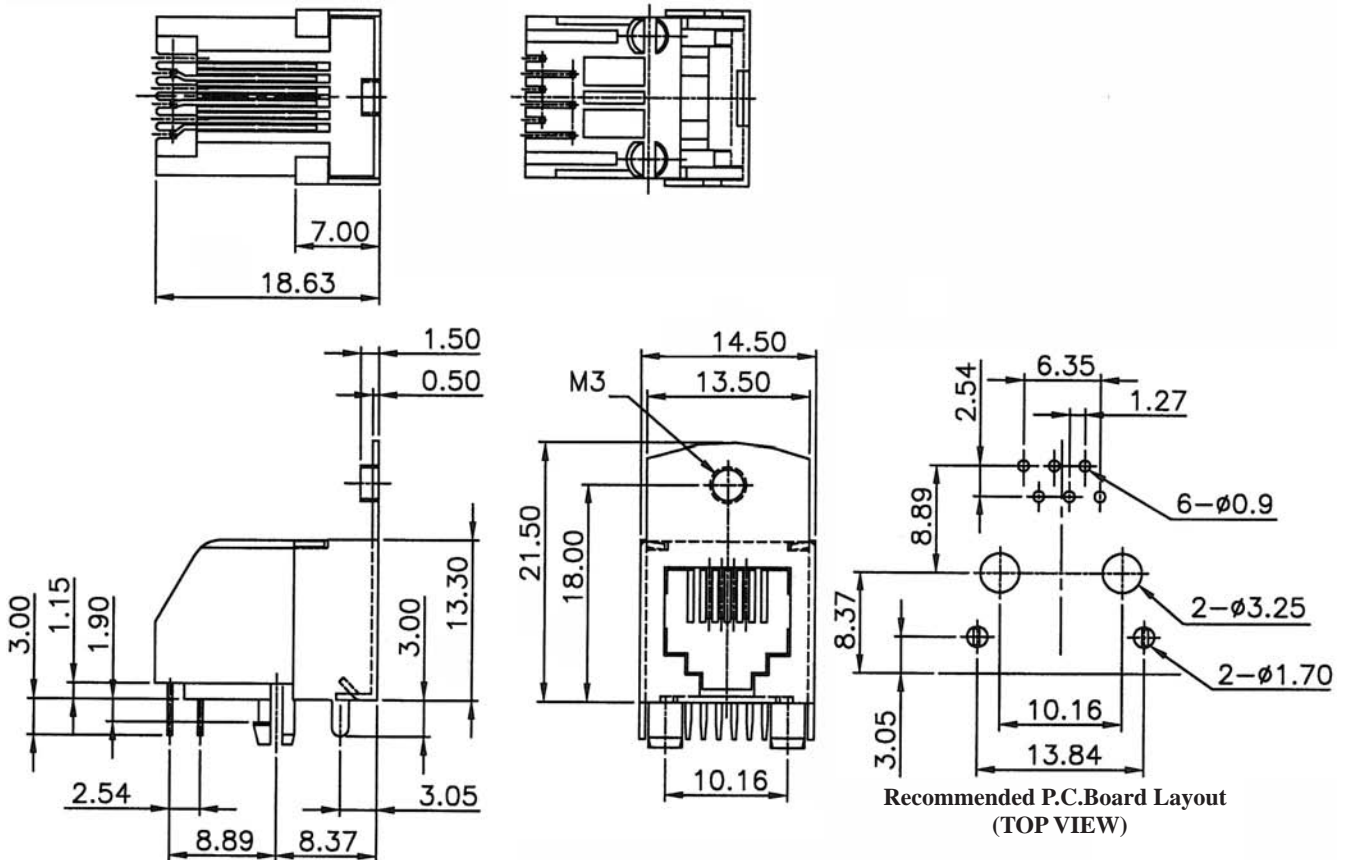
Color: Black

Spring Wire: Phosphor Bronze

Gold plating Over Nickel

Shield: Brass plating Nickel Alloy

All materials must be RoHS compliant.



ORDERING INFORMATION:

P/N M J 6 W - $\frac{x}{1} \frac{x}{2} B$

1. NO. OF POSITIONS & CONTACTS:

"66" 6P6C

"64" 6P4C

2. CONTACT FINISH:

"A" 6 MICROINCH GOLD

"B" 15 MICROINCH GOLD

"C" 30 MICROINCH GOLD

"D" 50 MICROINCH GOLD

SIDE ENTRY MODULAR PCB JACK 8P PROFILE=21.50MM (HALF SHIELDED)

SPECIFICATIONS

Insulation Resistance: 500MΩ Min.

Contact Resistance: 20mΩ Max.

Rating Current: 1.5A Max.

Rating Voltage: 120V AC.

Dielectric Voltage: 1000 Vrms 60 Sec. Min.

Temperature Range: -40°C / +85°C

Durability: 500 Mating cycles Min.

MATERIALS

Housing: PBT Glass Filled (UL 94V-0)

Soldering Temperature: 235°C

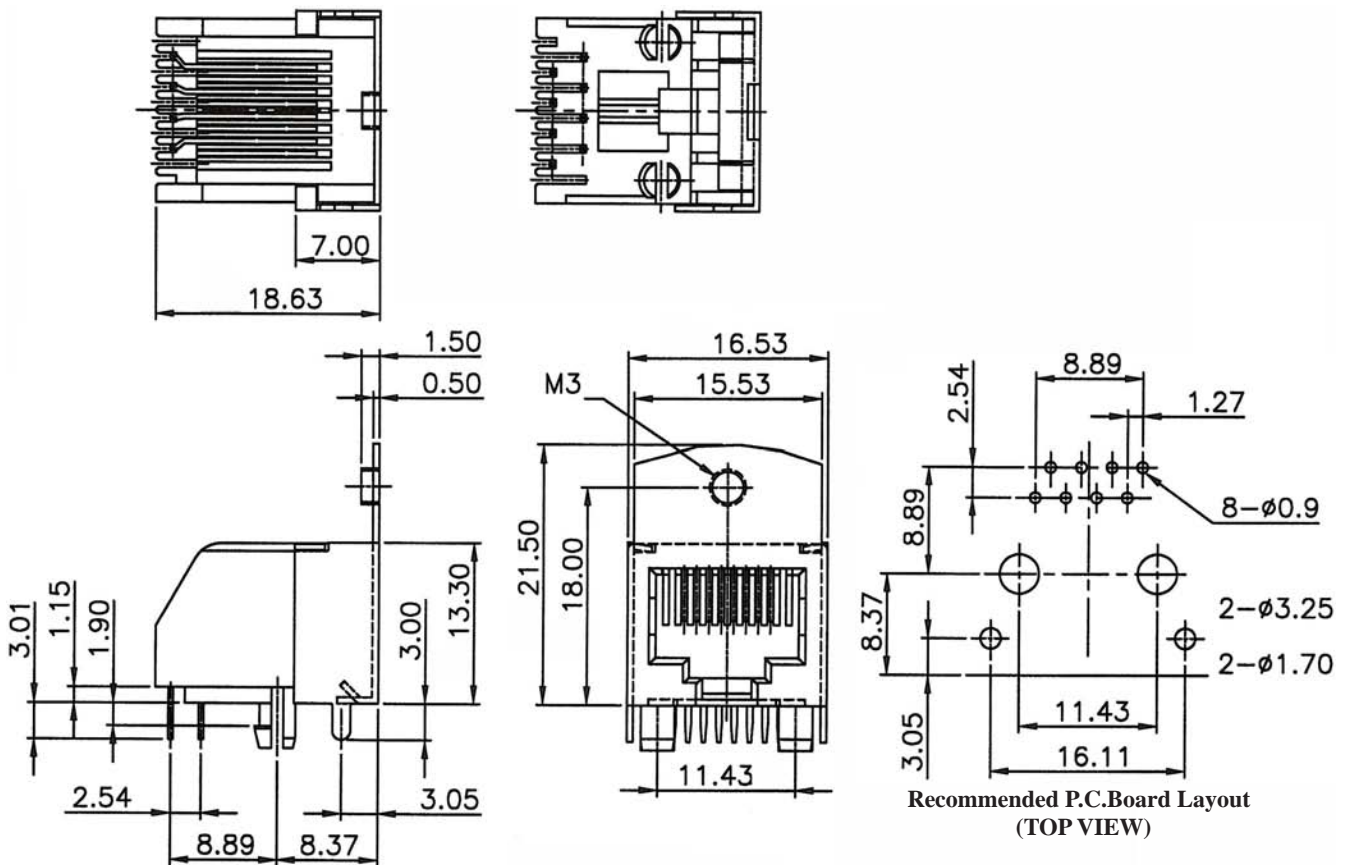
Color: Black

Spring Wire: Phosphor Bronze

Gold plating Over Nickel

Shield: Brass plating Nickel Alloy

All materials must be RoHS compliant.



ORDERING INFORMATION:

P/N M J 6 W - $\frac{x}{1} \frac{x}{2} \frac{B}{3} \frac{x}{3}$

1. NO. OF POSITIONS & CONTACTS:

"88" 8P8C

"84" 8P4C

2. CONTACT FINISH:

"A" 6 MICROINCH GOLD

"B" 15 MICROINCH GOLD

"C" 30 MICROINCH GOLD

"D" 50 MICROINCH GOLD

3. KEYWAY OPTION:

" " W/O KEYWAY

"K" WITH KEYWAY