

SIDE ENTRY EMBEDDED MODULAR SMT JACK 6P PROFILE=11.45MM (FULLY SHIELDED)

SPECIFICATIONS

Insulation Resistance: 500MΩ Min.

Contact Resistance: 20mΩ Max.

Rating Current: 1.5A Max.

Rating Voltage: 120V AC.

Dielectric Voltage: 1000 Vrms 60 Sec. Min.

Temperature Range: -40°C / +85°C

Durability: 500 Mating cycles Min.

MATERIALS

Housing: Nylon (UL 94V-0)

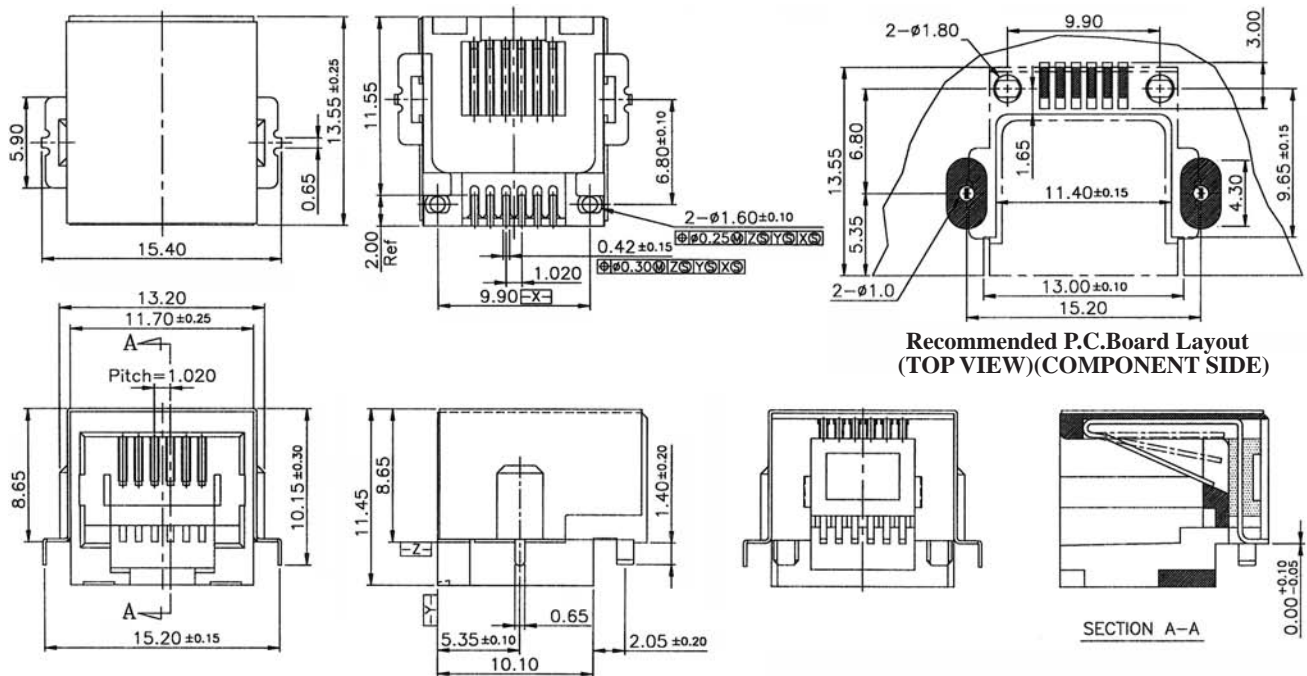
Soldering Temperature: 260°C

Color: Black

Spring Wire: Phosphor Bronze

Gold plating Over Nickel

All materials must be RoHS compliant.



**Recommended P.C.Board Layout
(TOP VIEW)(COMPONENT SIDE)**

ORDERING INFORMATION:

P/N M J 4 Z - $\frac{x}{1}$ $\frac{x}{2}$ B - $\frac{x}{3}$

1. NO. OF POSITIONS & CONTACTS:

"66" 6P6C

"64" 6P4C

2. CONTACT FINISH:

"A" 6 MICROINCH GOLD

"B" 15 MICROINCH GOLD

"C" 30 MICROINCH GOLD

"D" 50 MICROINCH GOLD

3. PACKAGE OPTION:

" " TRAY

"R" TAPE & REEL

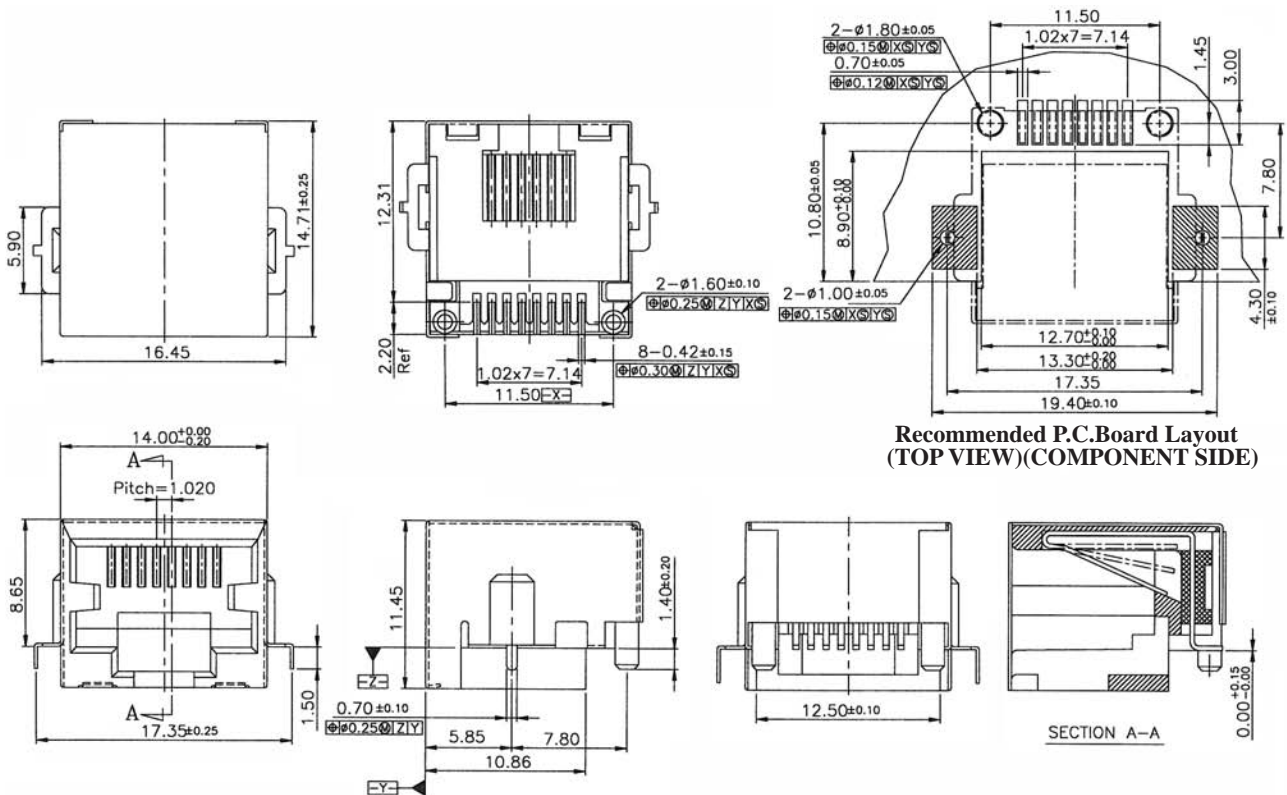
SIDE ENTRY EMBEDDED MODULAR SMT JACK 8P PROFILE=11.45MM (FULLY SHIELDED)

SPECIFICATIONS

Insulation Resistance: 500MΩ Min.
 Contact Resistance: 20mΩ Max.
 Rating Current: 1.5A Max.
 Rating Voltage: 120V AC.
 Dielectric Voltage: 1000 Vrms 60 Sec. Min.
 Temperature Range: -40°C / +85°C
 Durability: 500 Mating cycles Min.

MATERIALS

Housing: Nylon (UL 94V-0)
 Soldering Temperature: 260°C
 Color: Black
 Spring Wire: Phosphor Bronze
 Gold plating Over Nickel
 All materials must be RoHS compliant.



ORDERING INFORMATION:

P/N M J 4 Z - $\frac{88}{1}$ X B - $\frac{x}{3}$

- NO. OF POSITIONS & CONTACTS:
"88" 8P8C
- CONTACT FINISH:
"A" 6 MICROINCH GOLD
"B" 15 MICROINCH GOLD
"C" 30 MICROINCH GOLD
"D" 50 MICROINCH GOLD
"E" GOLD FLASH
- PACKAGE OPTION:
" " TRAY
"R" TAPE & REEL

SIDE ENTRY MODULAR SMT JACK 8P PROFILE=11.75MM (FULLY SHIELDED)

SPECIFICATIONS

Insulation Resistance: 500MΩ Min.

Contact Resistance: 20mΩ Max.

Rating Current: 1.5A Max.

Rating Voltage: 120V AC.

Dielectric Voltage: 1000 Vrms 60 Sec. Min.

Temperature Range: -40°C / +85°C

Durability: 500 Mating cycles Min.

MATERIALS

Housing: Nylon (UL 94V-0)

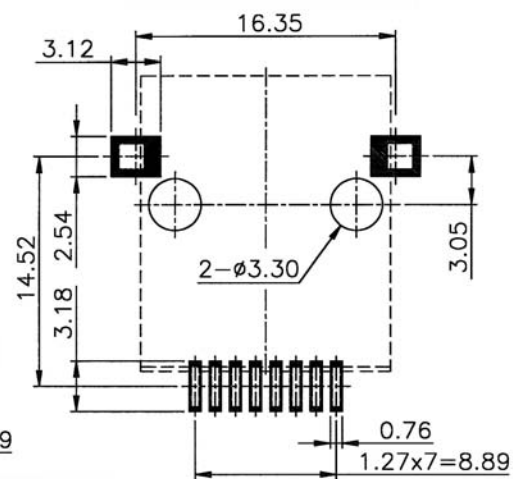
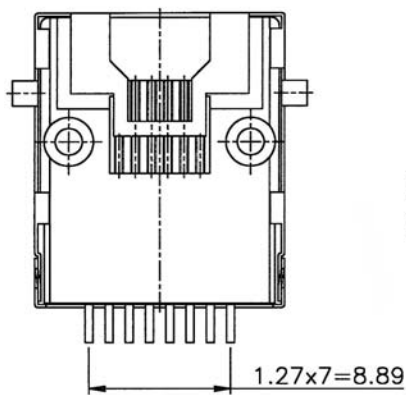
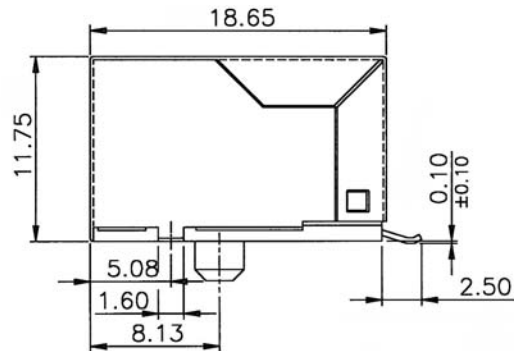
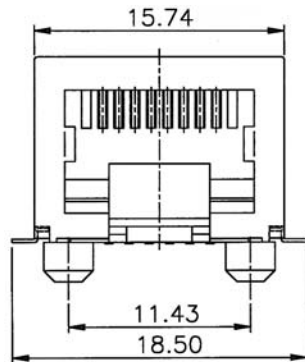
Soldering Temperature: 260°C

Color: Black

Spring Wire: Phosphor Bronze

Gold plating Over Nickel

All materials must be RoHS compliant.



Recommended P.C.Board Layout

ORDERING INFORMATION:

P/N M J 1 9 - $\frac{x}{1} \frac{x}{2} \frac{x}{3}$ B - $\frac{x}{3}$

1. NO. OF POSITIONS & CONTACTS:

"88" 8P8C

"84" 8P4C

2. CONTACT FINISH:

"A" 6 MICROINCH GOLD

"B" 15 MICROINCH GOLD

"C" 30 MICROINCH GOLD

"D" 50 MICROINCH GOLD

3. PACKAGE OPTION:

" " TRAY

"R" TAPE & REEL

SIDE ENTRY MODULAR SMT JACK 10P PROFILE=11.75MM (FULLY SHIELDED)

SPECIFICATIONS

Insulation Resistance: 500MΩ Min.

Contact Resistance: 20mΩ Max.

Rating Current: 1.5A Max.

Rating Voltage: 120V AC.

Dielectric Voltage: 1000 Vrms 60 Sec. Min.

Temperature Range: -40°C / +85°C

Durability: 500 Mating cycles Min.

MATERIALS

Housing: Nylon (UL 94V-0)

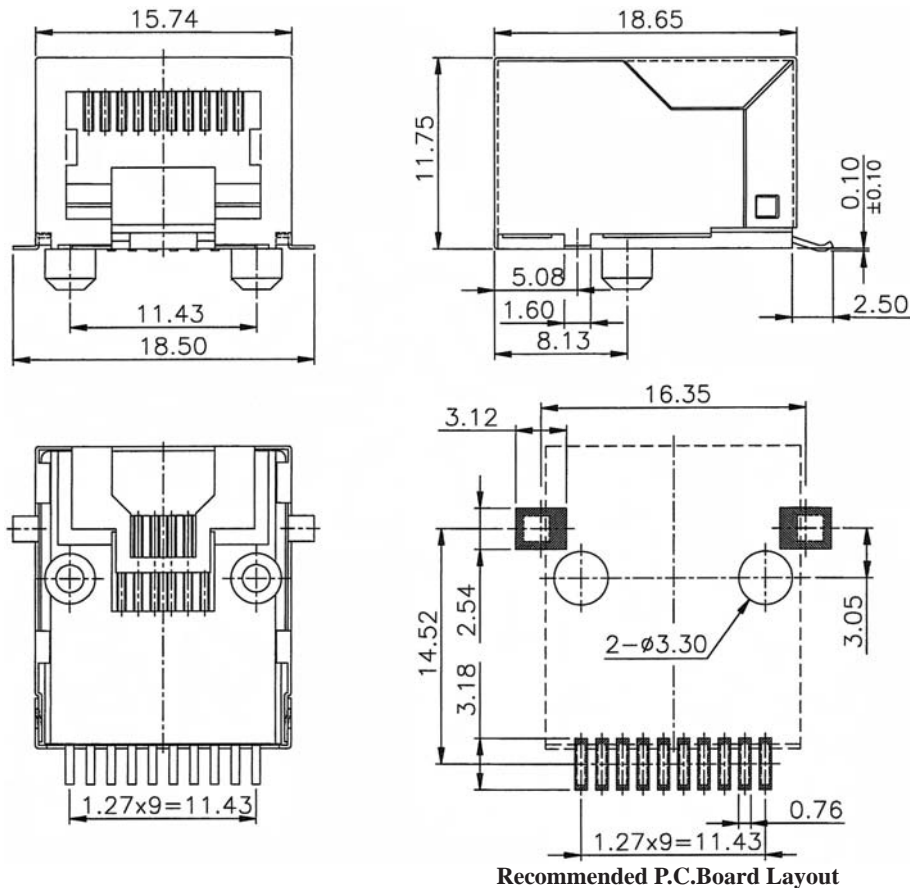
Soldering Temperature: 260°C

Color: Black

Spring Wire: Phosphor Bronze

Gold plating Over Nickel

All materials must be RoHS compliant.



ORDERING INFORMATION:

P/N M J 1 9 - $\frac{x}{1} \frac{x}{2} \frac{x}{3} B - \frac{x}{3}$

1. NO. OF POSITIONS & CONTACTS:

"00" 10P10C

"08" 10P8C

2. CONTACT FINISH:

"A" 6 MICROINCH GOLD

"B" 15 MICROINCH GOLD

"C" 30 MICROINCH GOLD

"D" 50 MICROINCH GOLD

3. PACKAGE OPTION:

" " TRAY

"R" TAPE & REEL

SIDE ENTRY MODULAR SMT JACK 6P PROFILE=11.75MM (FULLY SHIELDED)

SPECIFICATIONS

Insulation Resistance: 500MΩ Min.

Contact Resistance: 20mΩ Max.

Rating Current: 1.5A Max.

Rating Voltage: 120V AC.

Dielectric Voltage: 1000 Vrms 60 Sec. Min.

Temperature Range: -40°C / +85°C

Durability: 500 Mating cycles Min.

MATERIALS

Housing: Nylon (UL 94V-0)

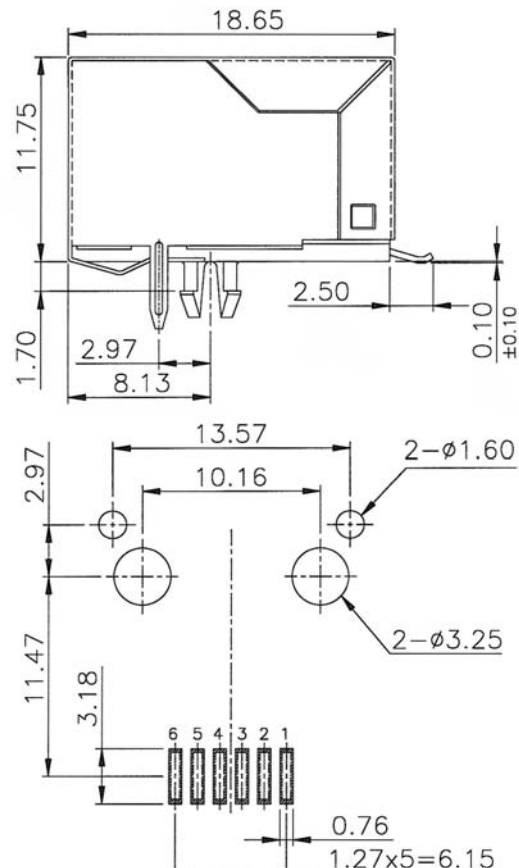
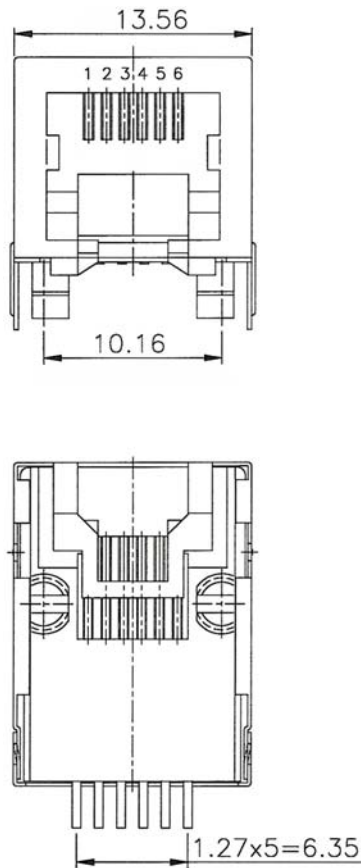
Soldering Temperature: 260°C

Color: Black

Spring Wire: Phosphor Bronze

Gold plating Over Nickel

All materials must be RoHS compliant.



**Recommended P.C.Board Layout
(TOP VIEW)**

ORDERING INFORMATION:

P/N M J 6 S - $\frac{x}{1} \frac{x}{2} \frac{x}{3} B - \frac{x}{3}$

1. NO. OF POSITIONS & CONTACTS:

"66" 6P6C

"64" 6P4C

2. CONTACT FINISH:

"A" 6 MICROINCH GOLD

"B" 15 MICROINCH GOLD

"C" 30 MICROINCH GOLD

"D" 50 MICROINCH GOLD

3. PACKAGE OPTION:

" " TRAY

"R" TAPE & REEL

SIDE ENTRY MODULAR SMT JACK 8P PROFILE=11.75MM (FULLY SHIELDED)

SPECIFICATIONS

Insulation Resistance: 500MΩ Min.

Contact Resistance: 20mΩ Max.

Rating Current: 1.5A Max.

Rating Voltage: 120V AC.

Dielectric Voltage: 1000 Vrms 60 Sec. Min.

Temperature Range: -40°C / +85°C

Durability: 500 Mating cycles Min.

MATERIALS

Housing: Nylon (UL 94V-0)

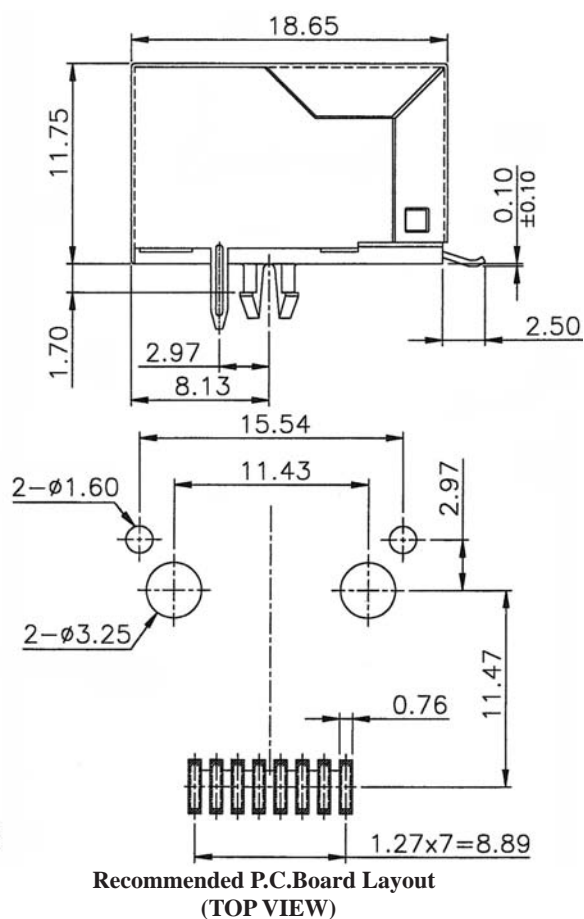
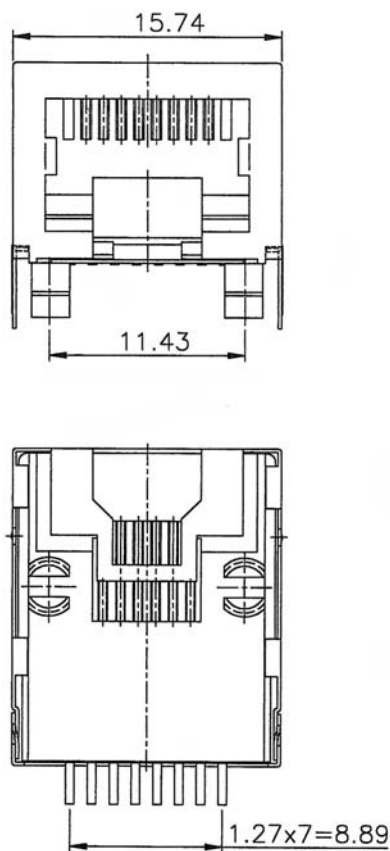
Soldering Temperature: 260°C

Color: Black

Spring Wire: Phosphor Bronze

Gold plating Over Nickel

All materials must be RoHS compliant.



ORDERING INFORMATION:

P/N M J 6 S - $\frac{x}{1} \frac{x}{2} \frac{x}{3}$ B - $\frac{x}{3}$

1. NO. OF POSITIONS & CONTACTS:

"88" 8P8C

"84" 8P4C

2. CONTACT FINISH:

"A" 6 MICROINCH GOLD

"B" 15 MICROINCH GOLD

"C" 30 MICROINCH GOLD

"D" 50 MICROINCH GOLD

3. PACKAGE OPTION:

" " TRAY

"R" TAPE & REEL

SIDE ENTRY MODULAR SMT JACK 10P PROFILE=11.75MM (FULLY SHIELDED)

SPECIFICATIONS

Insulation Resistance: 500MΩ Min.

Contact Resistance: 20mΩ Max.

Rating Current: 1.5A Max.

Rating Voltage: 120V AC.

Dielectric Voltage: 1000 Vrms 60 Sec. Min.

Temperature Range: -40°C / +85°C

Durability: 500 Mating cycles Min.

MATERIALS

Housing: Nylon (UL 94V-0)

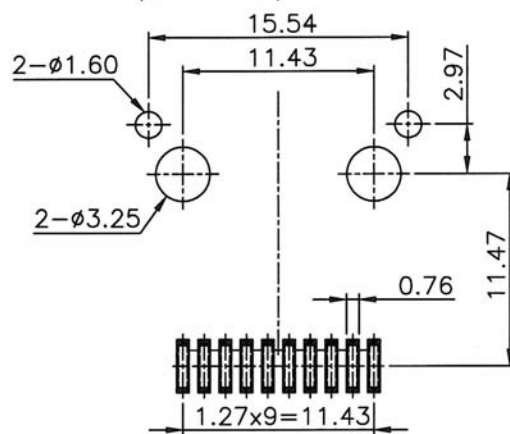
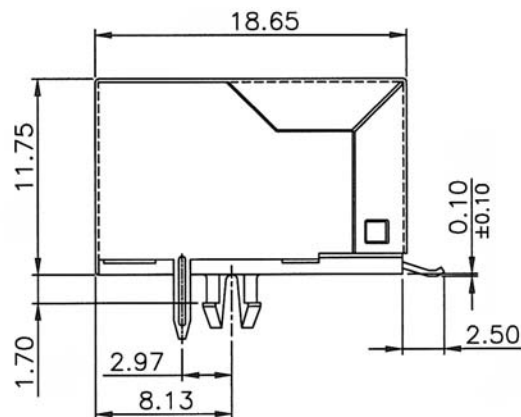
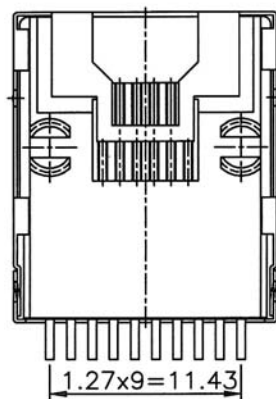
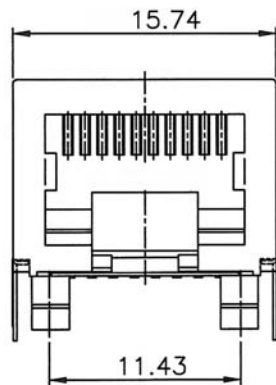
Soldering Temperature: 260°C

Color: Black

Spring Wire: Phosphor Bronze

Gold plating Over Nickel

All materials must be RoHS compliant.



Recommended P.C.Board Layout
(TOP VIEW)

ORDERING INFORMATION:

P/N M J 6 S - $\frac{x}{1} \frac{x}{2} \frac{x}{3}$ B - $\frac{x}{3}$

1. NO. OF POSITIONS & CONTACTS:

"00" 10P10C

"08" 10P8C

2. CONTACT FINISH:

"A" 6 MICROINCH GOLD

"B" 15 MICROINCH GOLD

"C" 30 MICROINCH GOLD

"D" 50 MICROINCH GOLD

3. PACKAGE OPTION:

" " TRAY

"R" TAPE & REEL

SIDE ENTRY MODULAR SMT JACK 8P PROFILE=11.75MM (FULLY SHIELDED)

SPECIFICATIONS

Insulation Resistance: 500MΩ Min.

Contact Resistance: 20mΩ Max.

Rating Current: 1.5A Max.

Rating Voltage: 120V AC.

Dielectric Voltage: 1000 Vrms 60 Sec. Min.

Temperature Range: -40°C / +85°C

Durability: 500 Mating cycles Min.

MATERIALS

Housing: Nylon (UL 94V-0)

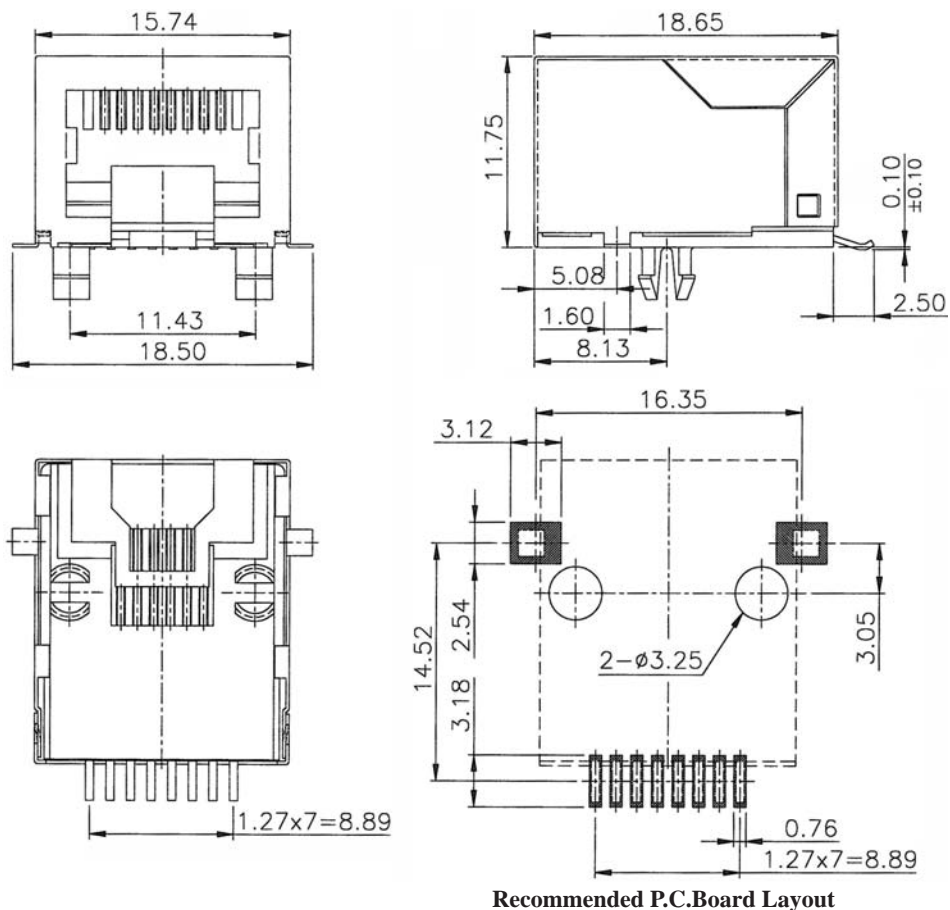
Soldering Temperature: 260°C

Color: Black

Spring Wire: Phosphor Bronze

Gold plating Over Nickel

All materials must be RoHS compliant.



ORDERING INFORMATION:

P/N M J 8 N - $\frac{88}{1} \frac{x}{2} \frac{B}{3} \frac{x}{4}$

1. NO. OF POSITIONS & CONTACTS:

"88" 8P8C

2. CONTACT FINISH:

"A" 6 MICROINCH GOLD

"B" 15 MICROINCH GOLD

"C" 30 MICROINCH GOLD

"D" 50 MICROINCH GOLD

3. KEYWAY OPTION:

" " W/O KEYWAY

"K" WITH KEYWAY

4. PACKAGE OPTION:

" " TRAY

"R" TAPE & REEL

SIDE ENTRY MODULAR SMT JACK 8P PROFILE=11.75MM (FULLY SHIELDED)

SPECIFICATIONS

Insulation Resistance: 500MΩ Min.

Contact Resistance: 20mΩ Max.

Rating Current: 1.5A Max.

Rating Voltage: 120V AC.

Dielectric Voltage: 1000 Vrms 60 Sec. Min.

Temperature Range: -40°C / +85°C

Durability: 500 Mating cycles Min.

MATERIALS

Housing: Nylon (UL 94V-0)

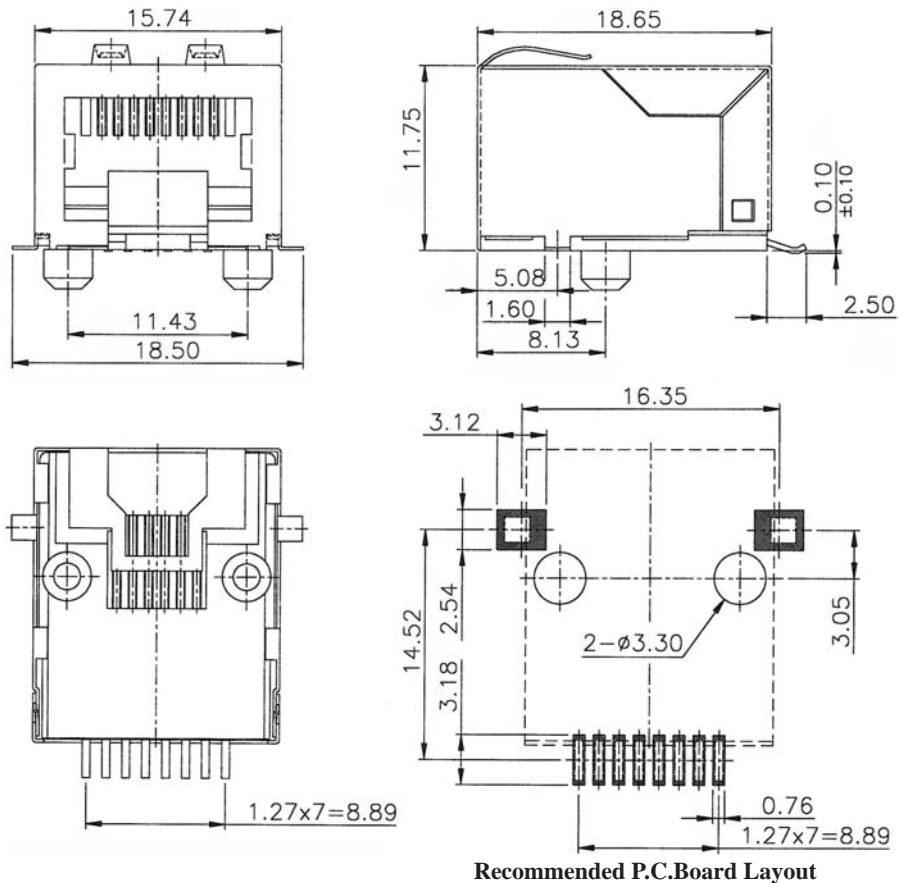
Soldering Temperature: 260°C

Color: Black

Spring Wire: Phosphor Bronze

Gold plating Over Nickel

All materials must be RoHS compliant.



ORDERING INFORMATION:

P/N M J 2 W - $\frac{88}{1} \times \frac{B}{2} - \frac{x}{3}$

1. NO. OF POSITIONS & CONTACTS:

"88" 8P8C

2. CONTACT FINISH:

"A" 6 MICROINCH GOLD

"B" 15 MICROINCH GOLD

"C" 30 MICROINCH GOLD

"D" 50 MICROINCH GOLD

3. PACKAGE OPTION:

" " TRAY

"R" TAPE & REEL

SIDE ENTRY MODULAR SMT JACK 8P PROFILE=11.75MM (FULLY SHIELDED)

SPECIFICATIONS

Insulation Resistance: 500MΩ Min.

Contact Resistance: 20mΩ Max.

Rating Current: 1.5A Max.

Rating Voltage: 120V AC.

Dielectric Voltage: 1000 Vrms 60 Sec. Min.

Temperature Range: -40°C / +85°C

Durability: 500 Mating cycles Min.

MATERIALS

Housing: Nylon (UL 94V-0)

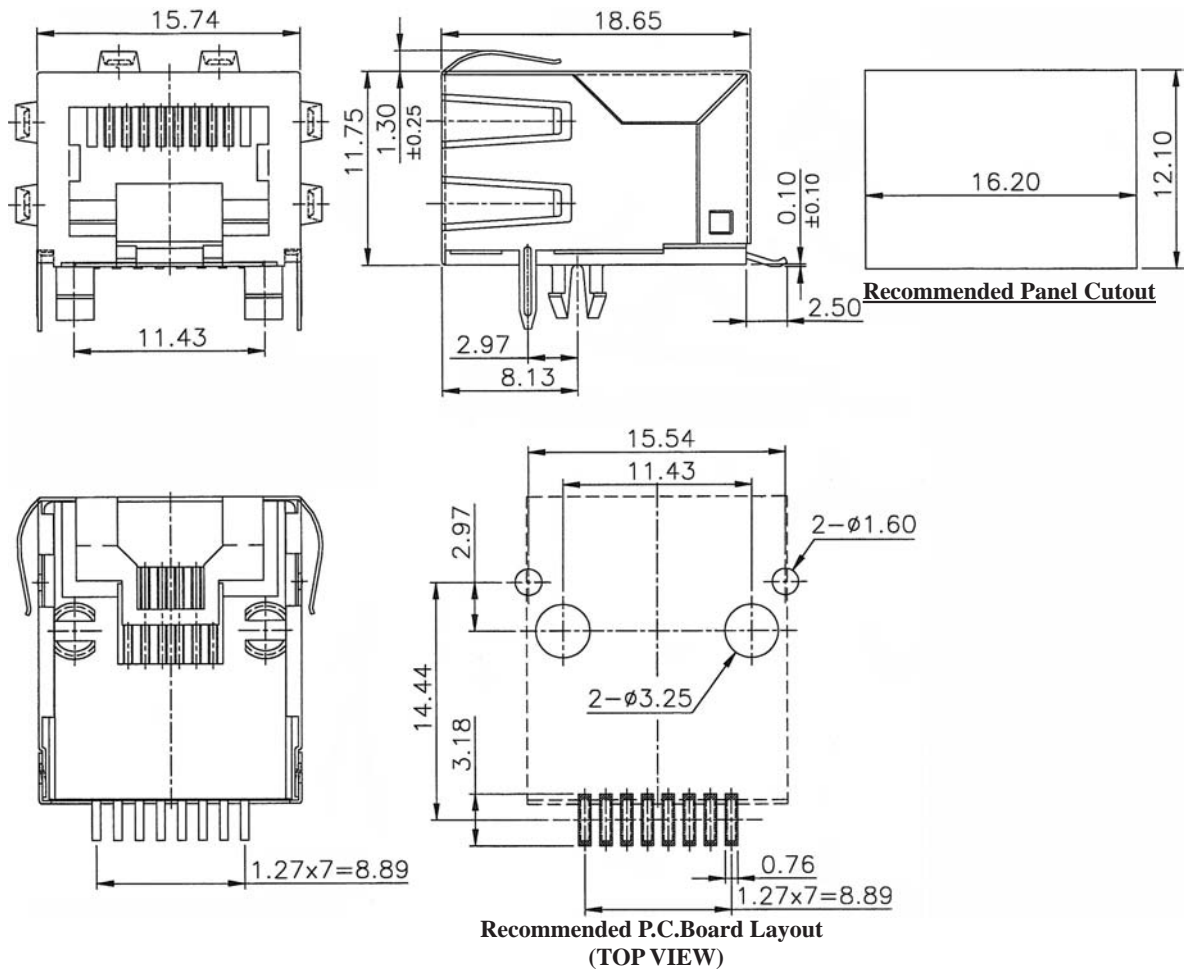
Soldering Temperature: 260°C

Color: Black

Spring Wire: Phosphor Bronze

Gold plating Over Nickel

All materials must be RoHS compliant.



ORDERING INFORMATION:

P/N M J 2 Y - $\frac{x}{1} \frac{x}{2} \frac{x}{3} B - \frac{x}{3}$

1. NO. OF POSITIONS & CONTACTS:

"88" 8P8C

"84" 8P4C

2. CONTACT FINISH:

"A" 6 MICROINCH GOLD

"B" 15 MICROINCH GOLD

"C" 30 MICROINCH GOLD

"D" 50 MICROINCH GOLD

3. PACKAGE OPTION:

" " TRAY

"R" TAPE & REEL

SIDE ENTRY MODULAR SMT JACK 8P PROFILE=11.75MM (FULLY SHIELDED)

SPECIFICATIONS

Insulation Resistance: 500MΩ Min.

Contact Resistance: 20mΩ Max.

Rating Current: 1.5A Max.

Rating Voltage: 120V AC.

Dielectric Voltage: 1000 Vrms 60 Sec. Min.

Temperature Range: -40°C / +85°C

Durability: 500 Mating cycles Min.

MATERIALS

Housing: Nylon (UL 94V-0)

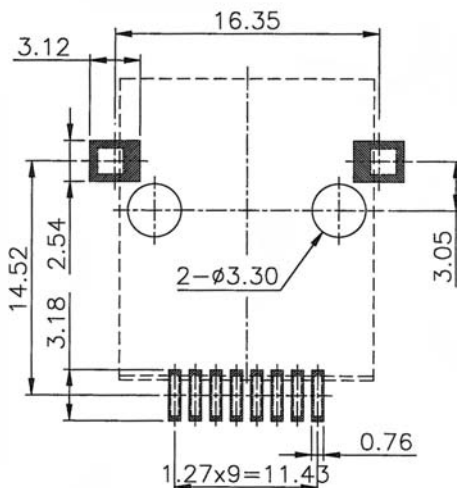
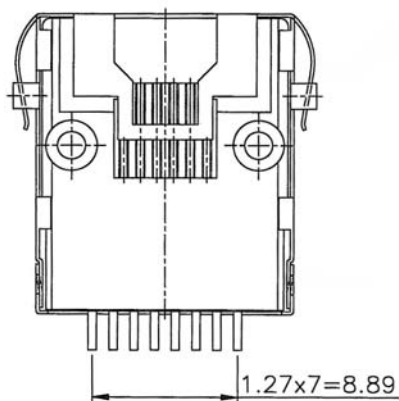
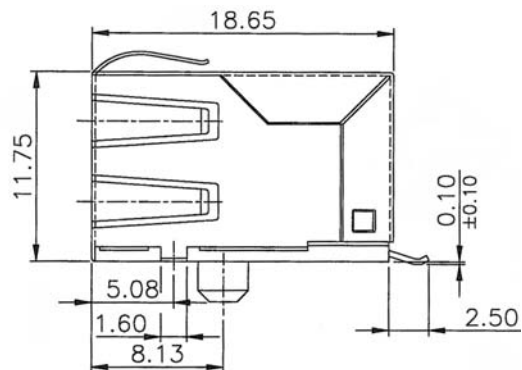
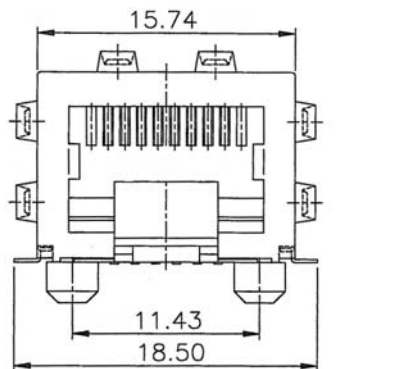
Soldering Temperature: 260°C

Color: Black

Spring Wire: Phosphor Bronze

Gold plating Over Nickel

All materials must be RoHS compliant.



Recommended P.C.Board Layout

ORDERING INFORMATION:

P/N M J 2 Z - $\frac{x}{1}$ $\frac{x}{2}$ $\frac{x}{3}$ B - $\frac{x}{3}$

1. NO. OF POSITIONS & CONTACTS:

"88" 8P8C

"84" 8P4C

2. CONTACT FINISH:

"A" 6 MICROINCH GOLD

"B" 15 MICROINCH GOLD

"C" 30 MICROINCH GOLD

"D" 50 MICROINCH GOLD

3. PACKAGE OPTION:

" " TRAY

"R" TAPE & REEL

SIDE ENTRY MODULAR SMT JACK 10P PROFILE=11.90MM (FULLY SHIELDED)

SPECIFICATIONS

Insulation Resistance: 500MΩ Min.

Contact Resistance: 20mΩ Max.

Rating Current: 1.5A Max.

Rating Voltage: 120V AC.

Dielectric Voltage: 1000 Vrms 60 Sec. Min.

Temperature Range: -40°C / +85°C

Durability: 500 Mating cycles Min.

MATERIALS

Housing: Nylon (UL 94V-0)

Soldering Temperature: 260°C

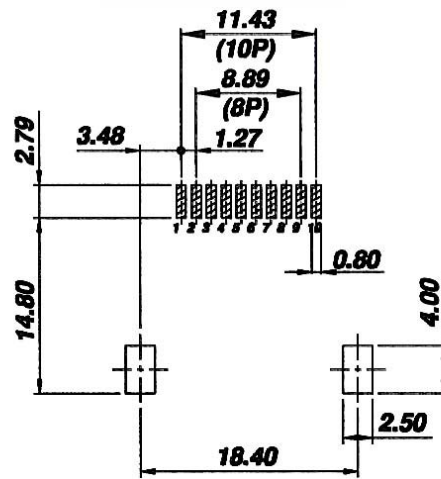
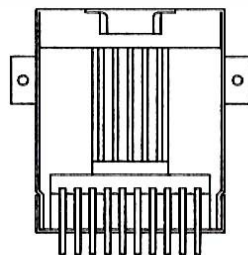
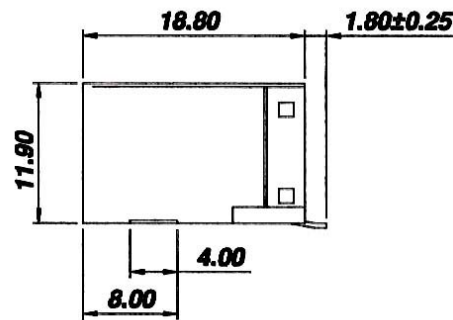
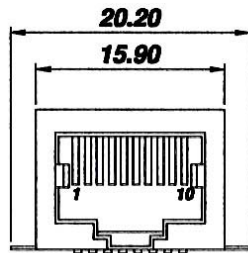
Color: Black

Spring Wire: Phosphor Bronze

Gold plating Over Nickel

Shield: Brass plating Nickel Alloy

All materials must be RoHS compliant.



Recommended P.C.Board Layout
(TOP VIEW)

ORDERING INFORMATION:

P/N M J R Z - $\frac{x}{1}$ $\frac{x}{2}$ $\frac{x}{3}$ B - $\frac{x}{3}$

1. NO. OF POSITIONS & CONTACTS:

"00" 10P10C

"08" 10P8C

2. CONTACT FINISH:

"A" 6 MICROINCH GOLD

"B" 15 MICROINCH GOLD

"C" 30 MICROINCH GOLD

"D" 50 MICROINCH GOLD

3. PACKAGE OPTION:

" " TRAY

"R" TAPE & REEL

SIDE ENTRY MODULAR SMT JACK 8P+10P PROFILE=12.00MM (FULLY SHIELDED)

SPECIFICATIONS

Insulation Resistance: 500MΩ Min.

Contact Resistance: 20mΩ Max.

Rating Current: 1.5A Max.

Rating Voltage: 120V AC.

Dielectric Voltage: 1000 Vrms 60 Sec. Min.

Temperature Range: -40°C / +85°C

Durability: 500 Mating cycles Min.

MATERIALS

Housing: Nylon (UL 94V-0)

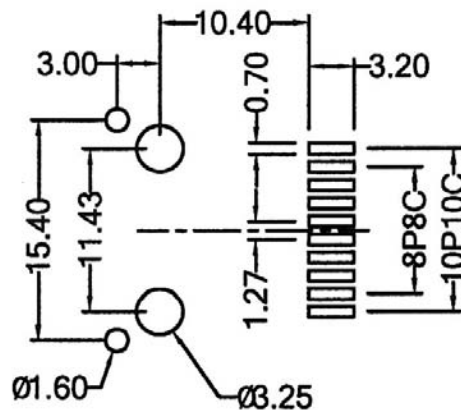
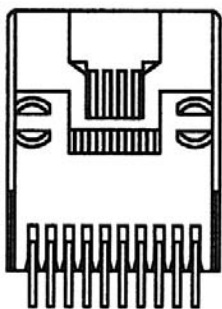
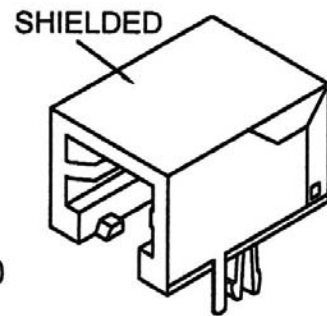
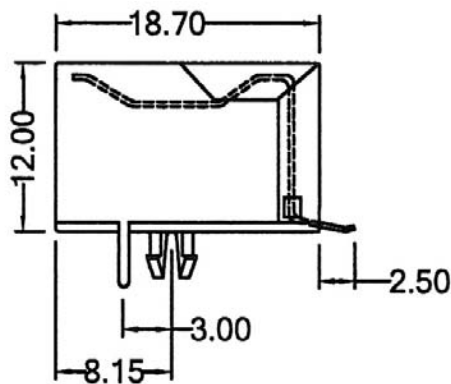
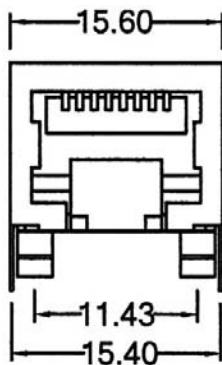
Soldering Temperature: 260°C

Color: Black

Spring Wire: Phosphor Bronze

Gold plating Over Nickel

All materials must be RoHS compliant.



Recommended P.C.Board Layout
(TOP VIEW)

ORDERING INFORMATION:

P/N MJS 4 - $\frac{x}{1} \frac{x}{2} B$

1. NO. OF POSITIONS & CONTACTS:

"88" 8P8C

"00" 10P10C

2. CONTACT FINISH:

"A" 6 MICROINCH GOLD

"B" 15 MICROINCH GOLD

"C" 30 MICROINCH GOLD

"D" 50 MICROINCH GOLD

SIDE ENTRY UP LATCH MODULAR SMT JACK 8P PROFILE=13.10MM (FULLY SHIELDED)

SPECIFICATIONS

Insulation Resistance: 500MΩ Min.

Contact Resistance: 20mΩ Max.

Rating Current: 1.5A Max.

Rating Voltage: 120V AC.

Dielectric Voltage: 1000 Vrms 60 Sec. Min.

Temperature Range: -40°C / +85°C

Durability: 500 Mating cycles Min.

MATERIALS

Housing: Nylon (UL 94V-0)

Soldering Temperature: 260°C

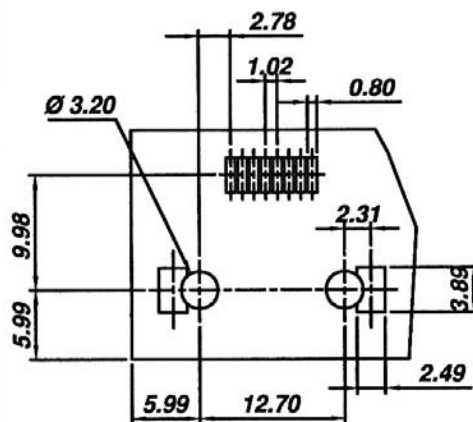
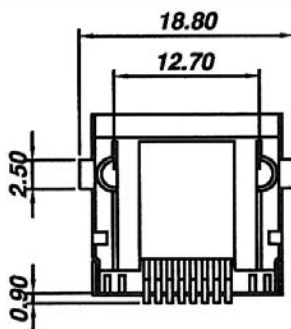
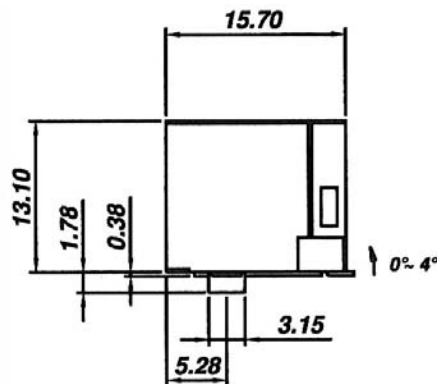
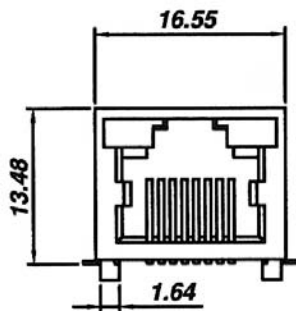
Color: Black

Spring Wire: Phosphor Bronze

Gold plating Over Nickel

Shield: Brass plating Nickel Alloy

All materials must be RoHS compliant.



Recommended P.C.Board Layout
(TOP VIEW)

ORDERING INFORMATION:

P/N M J R P - $\frac{8}{1} \frac{8}{2} \times \frac{B}{3} - \frac{x}{3}$

1. NO. OF POSITIONS & CONTACTS:

"88" 8P8C

2. CONTACT FINISH:

"A" 6 MICROINCH GOLD

"B" 15 MICROINCH GOLD

"C" 30 MICROINCH GOLD

"D" 50 MICROINCH GOLD

3. PACKAGE OPTION:

" " TRAY

"R" TAPE & REEL

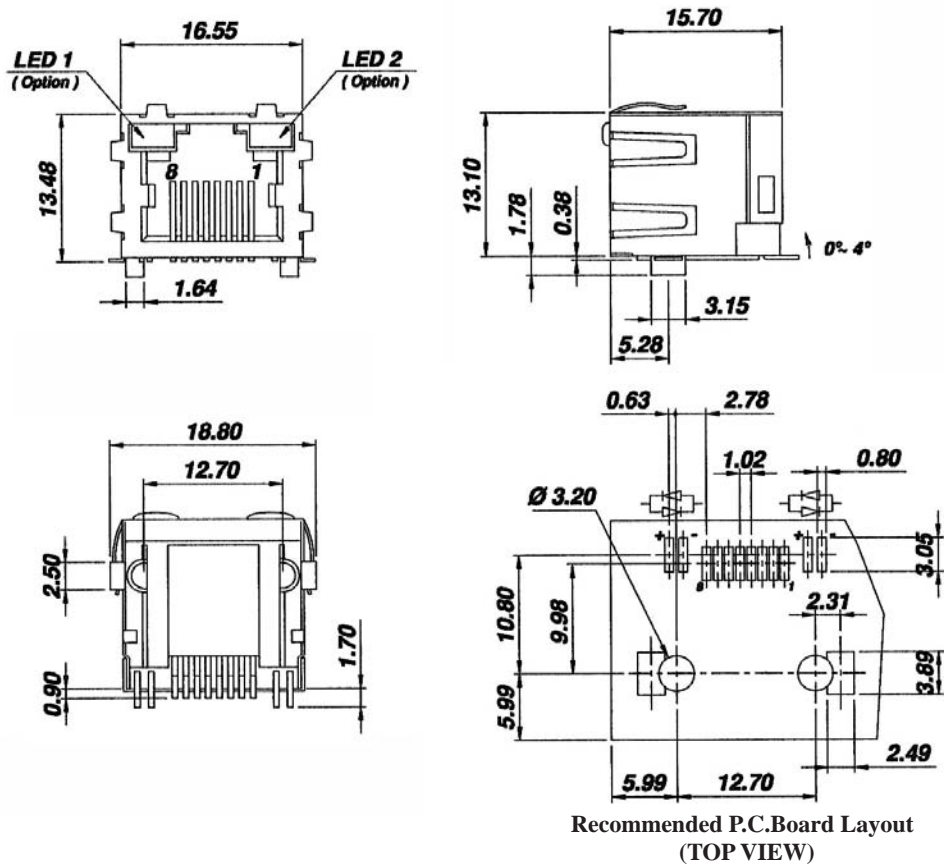
SIDE ENTRY UP LATCH MODULAR SMT JACK WITH LED 8P PROFILE=13.10MM (FULLY SHIELDED)

SPECIFICATIONS

Insulation Resistance: 500MΩ Min.
 Contact Resistance: 20mΩ Max.
 Rating Current: 1.5A Max.
 Rating Voltage: 120V AC.
 Dielectric Voltage: 1000 Vrms 60 Sec. Min.
 Temperature Range: -40°C / +85°C
 Durability: 500 Mating cycles Min.

MATERIALS

Housing: Nylon (UL 94V-0)
 Soldering Temperature: 260°C
 Color: Black
 Spring Wire: Phosphor Bronze
 Gold plating Over Nickel
 Shield: Brass plating Nickel Alloy
 All materials must be RoHS compliant.



ORDERING INFORMATION:

P/N M J R Q - $\frac{88}{1}$ $\frac{x}{2}$ B $\frac{x}{3}$ $\frac{x}{4}$

- NO. OF POSITIONS & CONTACTS:
"88" 8P8C
- CONTACT FINISH:
"A" 6 MICROINCH GOLD
"B" 15 MICROINCH GOLD
"C" 30 MICROINCH GOLD
"D" 50 MICROINCH GOLD
- CODE OF LED1 DESIGNATION:
N, Y, R, X, 3, 4, 5, 6, 9, 0, 8
- CODE OF LED2 DESIGNATION:
N, Y, R, X, 3, 4, 5, 6, 9, 0, 8

LED Designation:

Code	Forward	Reverse	Code	Forward	Reverse
N	Green	—	4	Yellow	Red
Y	Yellow	—	5	Green	Yellow
R	Red	—	6	Yellow	Green
1	Green	Orange	9	Red	Green
3	Green	Red	0	Red	Yellow
X	—	—	8	Orange	—

SIDE ENTRY MODULAR SMT JACK 8P PROFILE=13.19MM (HALF SHIELDED)

SPECIFICATIONS

Insulation Resistance: 500MΩ Min.

Contact Resistance: 20mΩ Max.

Rating Current: 1.5A Max.

Rating Voltage: 120V AC.

Dielectric Voltage: 1000 Vrms 60 Sec. Min.

Temperature Range: -40°C / +85°C

Durability: 500 Mating cycles Min.

MATERIALS

Housing: PBT Glass Filled (UL 94V-0)

Soldering Temperature: 235°C

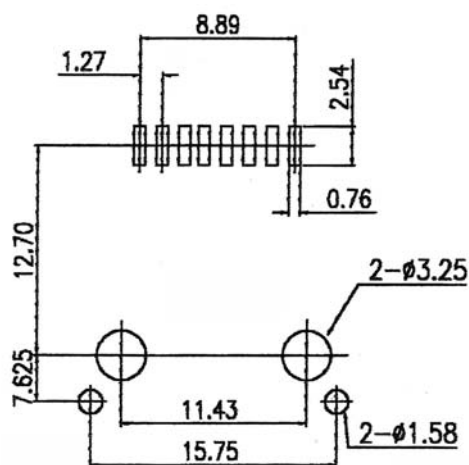
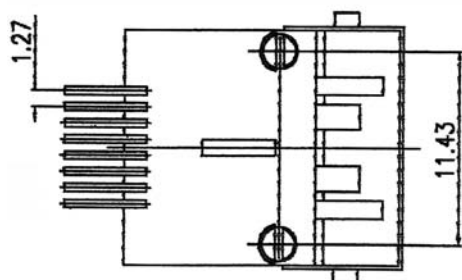
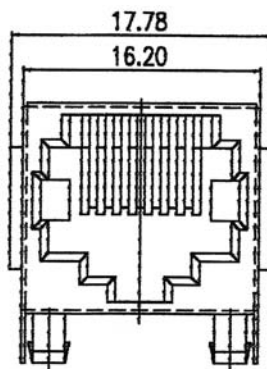
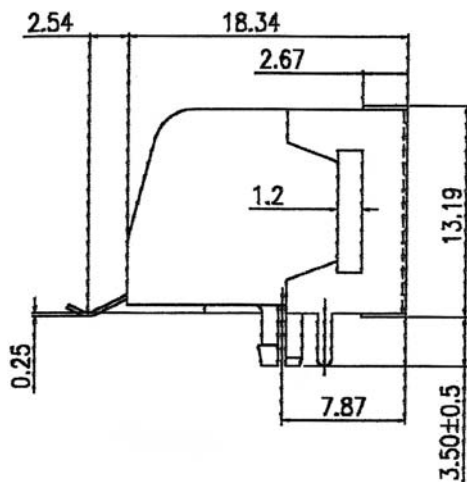
Color: Black

Spring Wire: Phosphor Bronze

Gold plating Over Nickel

Shield: Brass plating Nickel Alloy

All materials must be RoHS compliant.



Recommended P.C. Board Layout

ORDERING INFORMATION:

P/N M J 3 0 - $\frac{x}{1} \frac{x}{2} \frac{x}{3} B$

1. NO. OF POSITIONS & CONTACTS:

"88" 8P8C

"86" 8P6C

"84" 8P4C

2. CONTACT FINISH:

"A" 6 MICROINCH GOLD

"B" 15 MICROINCH GOLD

"C" 30 MICROINCH GOLD

"D" 50 MICROINCH GOLD