

SIDE ENTRY UP LATCH MODULAR PCB JACK 4P+6P+8P+10P PROFILE=14.50MM (UNSHIELDED)

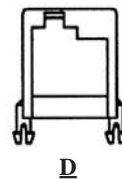
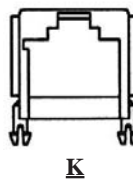
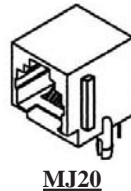
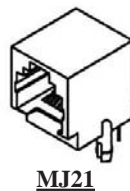
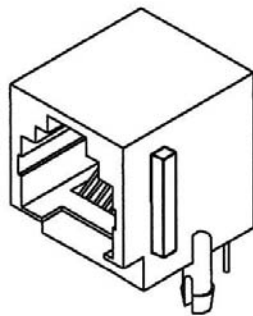
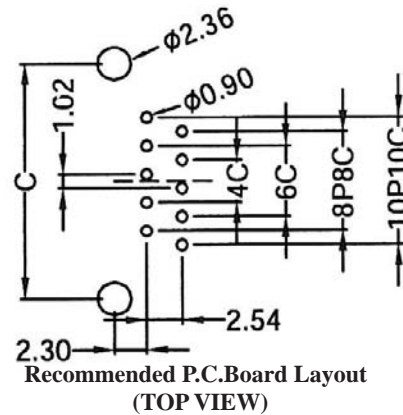
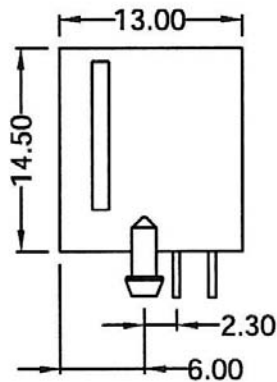
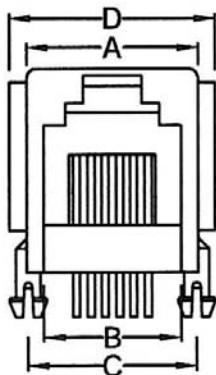
SPECIFICATIONS

Insulation Resistance: 500MΩ Min.
Contact Resistance: 20mΩ Max.
Rating Current: 1.5A Max.
Rating Voltage: 120V AC.
Dielectric Voltage: 1000 Vrms 60 Sec. Min.
Temperature Range: -40°C / +85°C
Durability: 500 Mating cycles Min.

MATERIALS

Housing: PBT Glass Filled (UL 94V-0)
Soldering Temperature: 235°C
Color: Black & Gray
Spring Wire: Phosphor Bronze
 Gold plating Over Nickel

All materials must be RoHS compliant.



No. of Positions	No. of Contacts	A	B	C	D
4P	4C	10.00	7.85	10.00	12.00
6P	2C/4C/6C	12.20	9.90	12.00	14.20
8P	8C	15.00	11.85	15.00	16.90
10P	10C	15.00	11.85	15.00	16.90

ORDERING INFORMATION:

P/N M J $\frac{XX}{1} - \frac{XXX}{2} \frac{XXX}{3} \frac{X}{4} \frac{X}{5}$

1. PANEL STOP OPTION:

"20" WITH PANEL STOP
 "21" W/O PANEL STOP

2. NO. OF POSITIONS & CONTACTS:

"66" 6P6C
 "64" 6P4C
 "88" 8P8C
 "00" 10P10C
 "44" 4P4C

3. CONTACT FINISH:

"A" 6 MICROINCH GOLD
 "B" 15 MICROINCH GOLD
 "C" 30 MICROINCH GOLD

"D" 50 MICROINCH GOLD

"E" GOLD FLASH

4. HOUSING COLOR:

"B" BLACK
 "A" GRAY

5. KEYWAY & OFFSET OPTION:

" " W/O KEYWAY & W/O OFFSET LATCH
 "K" WITH KEYWAY (8P & 10P)
 "D" WITH OFFSET LATCH (6P ONLY)

SIDE ENTRY UP LATCH MODULAR PCB JACK 4P+6P+8P+10P PROFILE=14.50MM (UNSHIELDED)

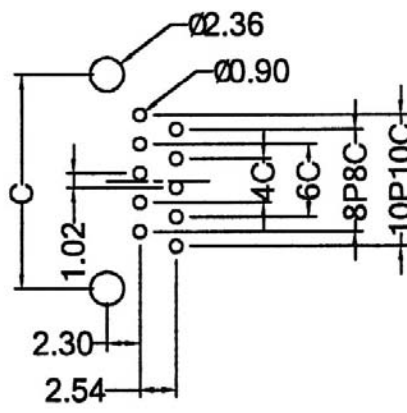
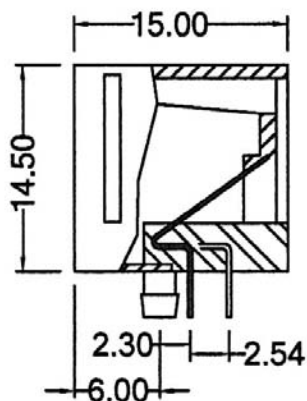
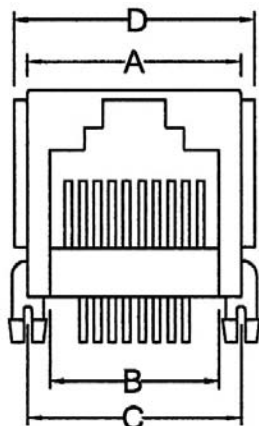
SPECIFICATIONS

Insulation Resistance: 500MΩ Min.
Contact Resistance: 20mΩ Max.
Rating Current: 1.5A Max.
Rating Voltage: 120V AC.
Dielectric Voltage: 1000 Vrms 60 Sec. Min.
Temperature Range: -40°C / +85°C
Durability: 500 Mating cycles Min.

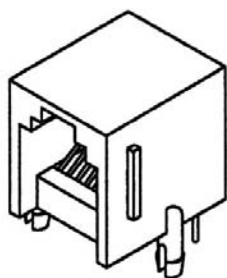
MATERIALS

Housing: PBT Glass Filled (UL 94V-0)
Soldering Temperature: 235°C
Color: Black & Gray
Spring Wire: Phosphor Bronze
 Gold plating Over Nickel

All materials must be RoHS compliant.



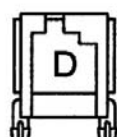
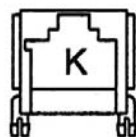
Recommended P.C. Board Layout (TOP VIEW)



MJ26



MJ27



No. of Positions	No. of Contacts	A	B	C	D
(6P)4P	4C	12.20	7.85	12.00	14.20
6P	2C/4C/6C	12.20	9.90	12.00	14.20
8P	8C	15.00	11.85	15.00	16.90
10P	10C	15.00	11.85	15.00	16.90

ORDERING INFORMATION:

P/N M J $\frac{XX}{1} - \frac{XXXXXX}{2345}$

1. PANEL STOP OPTION:

"26" WITH PANEL STOP
 "27" W/O PANEL STOP

2. NO. OF POSITIONS & CONTACTS:

"66" 6P6C
 "64" 6P4C
 "88" 8P8C
 "00" 10P10C
 "44" 4P4C

3. CONTACT FINISH:

"A" 6 MICROINCH GOLD
 "B" 15 MICROINCH GOLD
 "C" 30 MICROINCH GOLD

"D" 50 MICROINCH GOLD

"E" GOLD FLASH

4. HOUSING COLOR:

"B" BLACK
 "A" GRAY

5. KEYWAY & OFFSET OPTION:

" " W/O KEYWAY & W/O OFFSET LATCH
 "K" WITH KEYWAY (8P & 10P)
 "D" WITH OFFSET LATCH (6P ONLY)

SIDE ENTRY UP LATCH MODULAR PCB JACK 4P PROFILE=14.50MM (UNSHIELDED)

SPECIFICATIONS

Insulation Resistance: 500M Ω Min.

Contact Resistance: 20m Ω Max.

Rating Current: 1.5A Max.

Rating Voltage: 120V AC.

Dielectric Voltage: 1000 Vrms 60 Sec. Min.

Temperature Range: -40 $^{\circ}$ c / +85 $^{\circ}$ c

Durability: 500 Mating cycles Min.

MATERIALS

Housing: PBT Glass Filled (UL 94V-0)

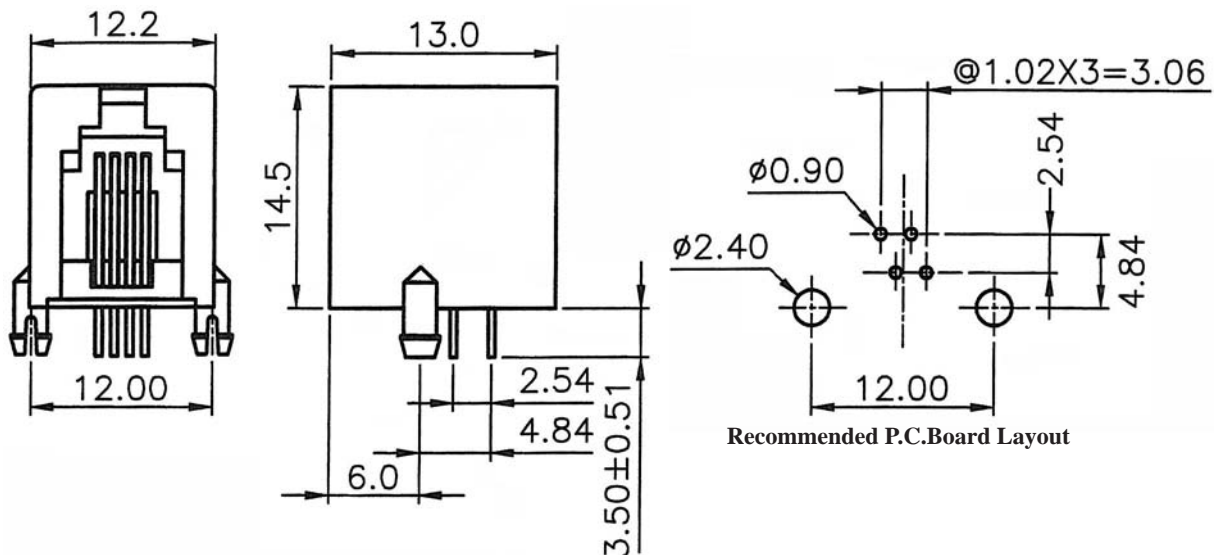
Soldering Temperature: 235 $^{\circ}$ c

Color: Black

Spring Wire: Phosphor Bronze

Gold plating Over Nickel

All materials must be RoHS compliant.



ORDERING INFORMATION:

P/N M J 6 U - $\frac{44}{T} \frac{x}{2} \frac{x}{3}$

1. NO. OF POSITIONS & CONTACTS:

"44" 4P4C

2. CONTACT FINISH:

"A" 6 MICROINCH GOLD

"B" 15 MICROINCH GOLD

"C" 30 MICROINCH GOLD

"D" 50 MICROINCH GOLD

3. HOUSING COLOR:

"A" GRAY

"B" BLACK

SIDE ENTRY UP LATCH MODULAR PCB JACK 4P PROFILE=14.50MM (UNSHIELDED)

SPECIFICATIONS

Insulation Resistance: 500MΩ Min.

Contact Resistance: 20mΩ Max.

Rating Current: 1.5A Max.

Rating Voltage: 120V AC.

Dielectric Voltage: 1000 Vrms 60 Sec. Min.

Temperature Range: -40°C / +85°C

Durability: 500 Mating cycles Min.

MATERIALS

Housing: PBT Glass Filled (UL 94V-0)

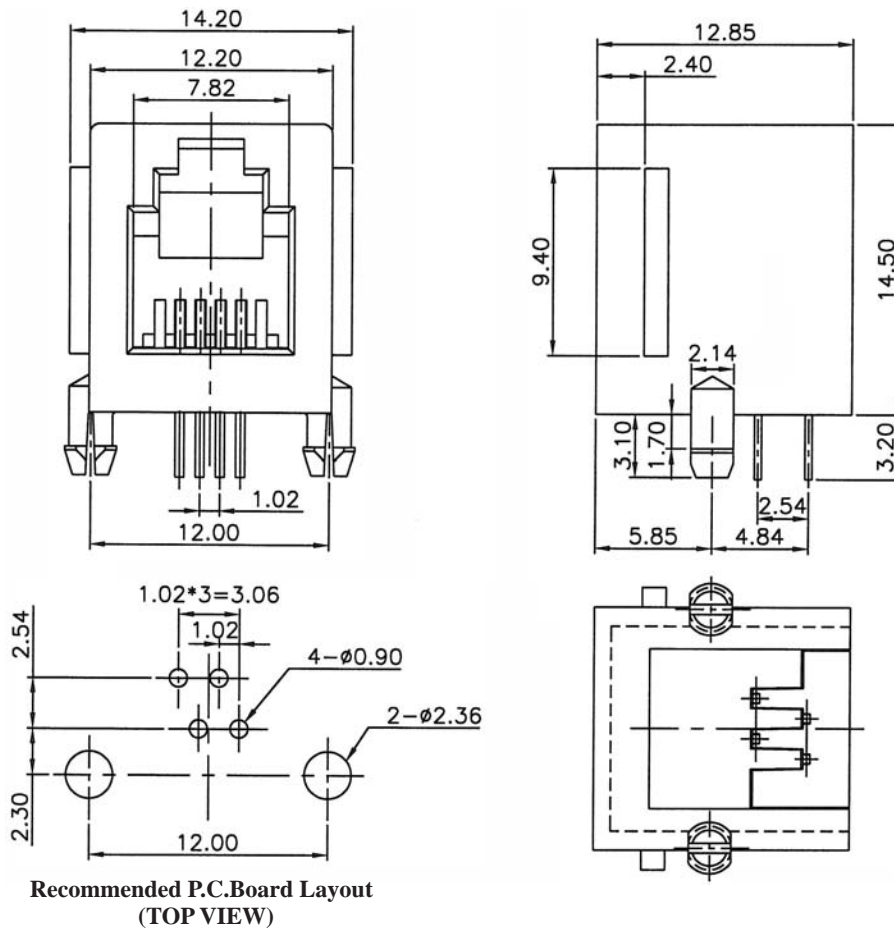
Soldering Temperature: 235°C

Color: Black & Gray

Spring Wire: Phosphor Bronze

Gold plating Over Nickel

All materials must be RoHS compliant.



ORDERING INFORMATION:

P/N M J 1 P - $\frac{44}{T} \frac{x}{2} \frac{x}{3}$

1. NO. OF POSITIONS & CONTACTS:

"44" 4P4C

2. CONTACT FINISH:

"A" 6 MICROINCH GOLD

"B" 15 MICROINCH GOLD

"C" 30 MICROINCH GOLD

"D" 50 MICROINCH GOLD

"E" GOLD FLASH

3. HOUSING COLOR:

"A" GRAY

"B" BLACK

SIDE ENTRY UP LATCH MODULAR PCB JACK 6P PROFILE=14.50MM (UNSHIELDED)

SPECIFICATIONS

Insulation Resistance: 500MΩ Min.

Contact Resistance: 20mΩ Max.

Rating Current: 1.5A Max.

Rating Voltage: 120V AC.

Dielectric Voltage: 1000 Vrms 60 Sec. Min.

Temperature Range: -40°C / +85°C

Durability: 500 Mating cycles Min.

MATERIALS

Housing: PBT Glass Filled (UL 94V-0)

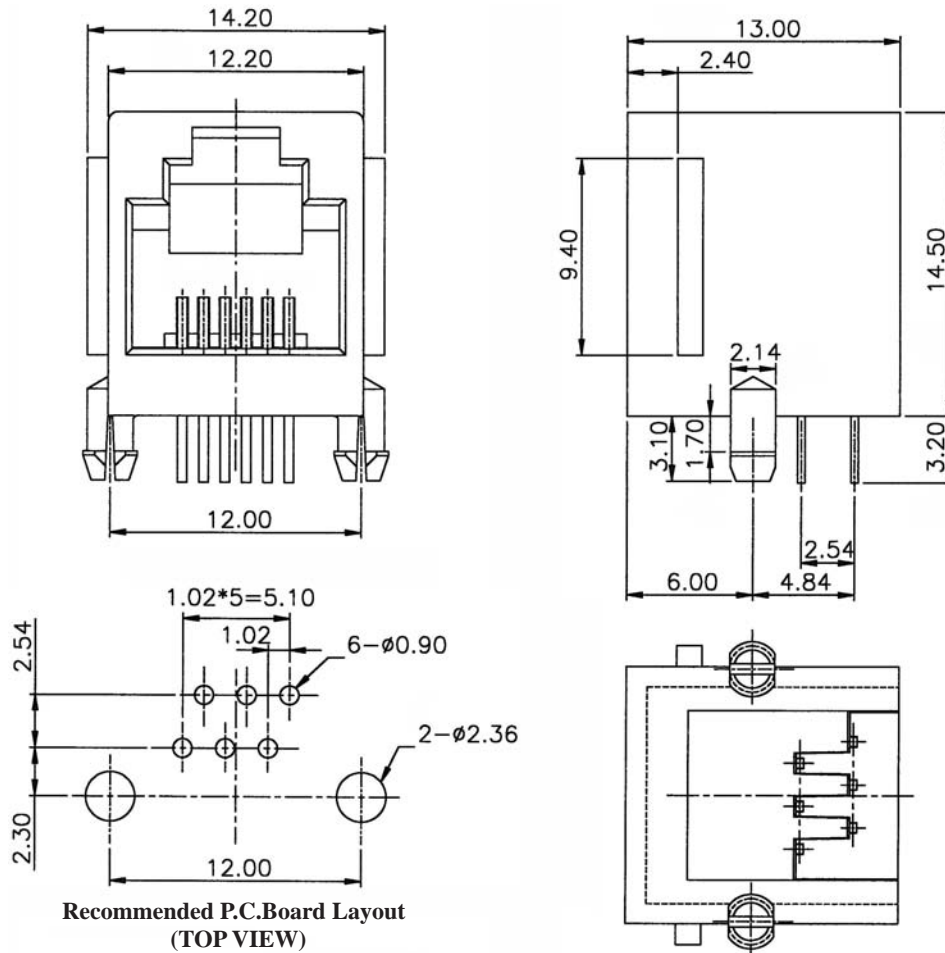
Soldering Temperature: 235°C

Color: Black & Gray

Spring Wire: Phosphor Bronze

Gold plating Over Nickel

All materials must be RoHS compliant.



Recommended P.C.Board Layout
(TOP VIEW)

ORDERING INFORMATION:

P/N M J 1 P - $\frac{x x x x}{T 2 3}$

1. NO. OF POSITIONS & CONTACTS:

"66" 6P6C

"64" 6P4C

2. CONTACT FINISH:

"A" 6 MICROINCH GOLD

"B" 15 MICROINCH GOLD

"C" 30 MICROINCH GOLD

"D" 50 MICROINCH GOLD

"E" GOLD FLASH

3. HOUSING COLOR:

"A" GRAY

"B" BLACK

SIDE ENTRY UP LATCH MODULAR PCB JACK 8P PROFILE=14.50MM (UNSHIELDED)

SPECIFICATIONS

Insulation Resistance: 500MΩ Min.

Contact Resistance: 20mΩ Max.

Rating Current: 1.5A Max.

Rating Voltage: 120V AC.

Dielectric Voltage: 1000 Vrms 60 Sec. Min.

Temperature Range: -40°C / +85°C

Durability: 500 Mating cycles Min.

MATERIALS

Housing: PBT Glass Filled (UL 94V-0)

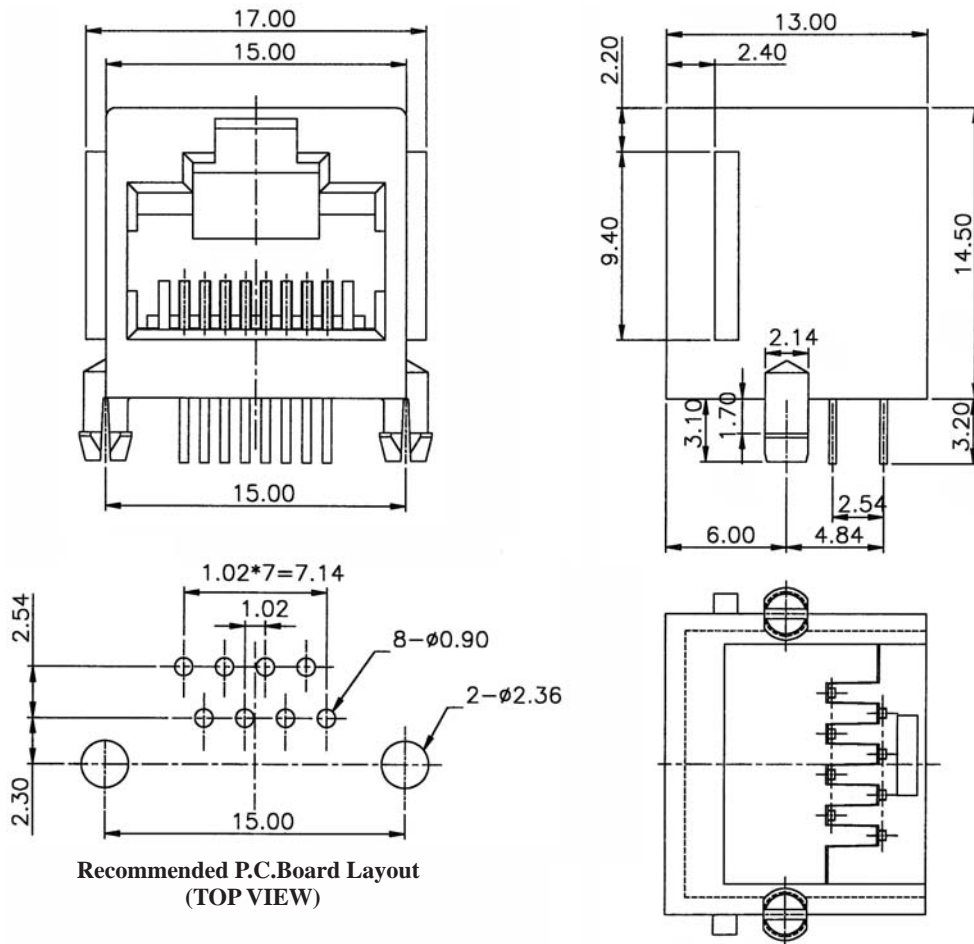
Soldering Temperature: 235°C

Color: Black & Gray

Spring Wire: Phosphor Bronze

Gold plating Over Nickel

All materials must be RoHS compliant.



ORDERING INFORMATION:

P/N M J 1 P - $\frac{x x x x}{T 2 3}$

1. NO. OF POSITIONS & CONTACTS:

"88" 8P8C

"84" 8P4C

2. CONTACT FINISH:

"A" 6 MICROINCH GOLD

"B" 15 MICROINCH GOLD

"C" 30 MICROINCH GOLD

"D" 50 MICROINCH GOLD

"E" GOLD FLASH

3. HOUSING COLOR:

"A" GRAY

"B" BLACK

SIDE ENTRY UP LATCH MODULAR PCB JACK 10P PROFILE=14.50MM (UNSHIELDED)

SPECIFICATIONS

Insulation Resistance: 500MΩ Min.

Contact Resistance: 20mΩ Max.

Rating Current: 1.5A Max.

Rating Voltage: 120V AC.

Dielectric Voltage: 1000 Vrms 60 Sec. Min.

Temperature Range: -40°C / +85°C

Durability: 500 Mating cycles Min.

MATERIALS

Housing: PBT Glass Filled (UL 94V-0)

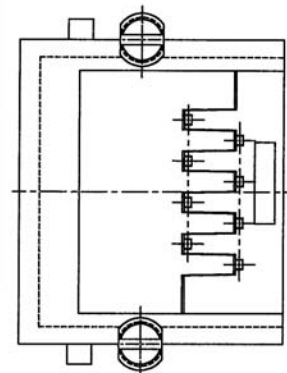
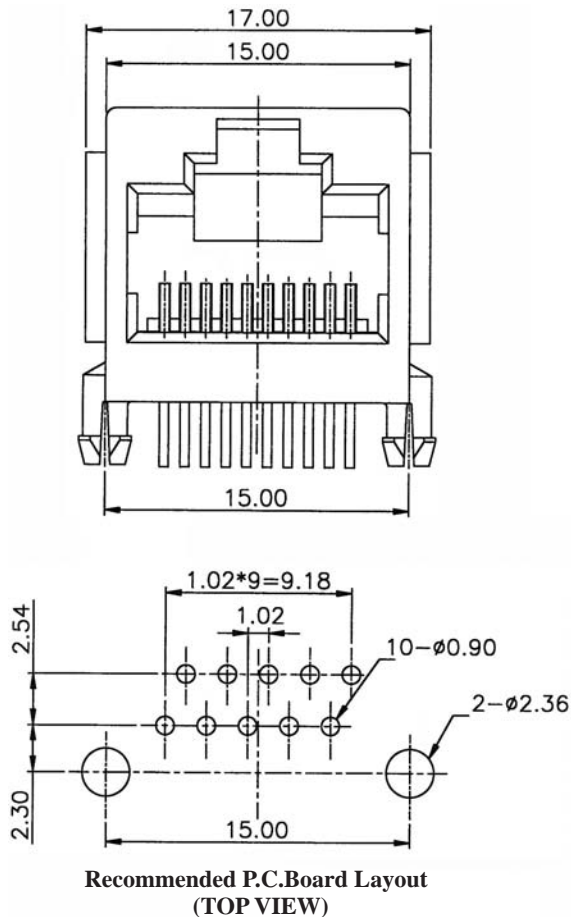
Soldering Temperature: 235°C

Color: Black & Gray

Spring Wire: Phosphor Bronze

Gold plating Over Nickel

All materials must be RoHS compliant.



ORDERING INFORMATION:

P/N MJ1P- $\frac{x}{1} \frac{x}{2} \frac{x}{3}$

1. NO. OF POSITIONS & CONTACTS:

"00" 10P10C

"08" 10P8C

2. CONTACT FINISH:

"A" 6 MICROINCH GOLD

"B" 15 MICROINCH GOLD

"C" 30 MICROINCH GOLD

"D" 50 MICROINCH GOLD

"E" GOLD FLASH

3. HOUSING COLOR:

"A" GRAY

"B" BLACK

SIDE ENTRY UP LATCH MODULAR PCB JACK 4P PROFILE=14.50MM (UNSHIELDED)

SPECIFICATIONS

Insulation Resistance: 500MΩ Min.

Contact Resistance: 20mΩ Max.

Rating Current: 1.5A Max.

Rating Voltage: 120V AC.

Dielectric Voltage: 1000 Vrms 60 Sec. Min.

Temperature Range: -40°C / +85°C

Durability: 500 Mating cycles Min.

MATERIALS

Housing: PBT Glass Filled (UL 94V-0)

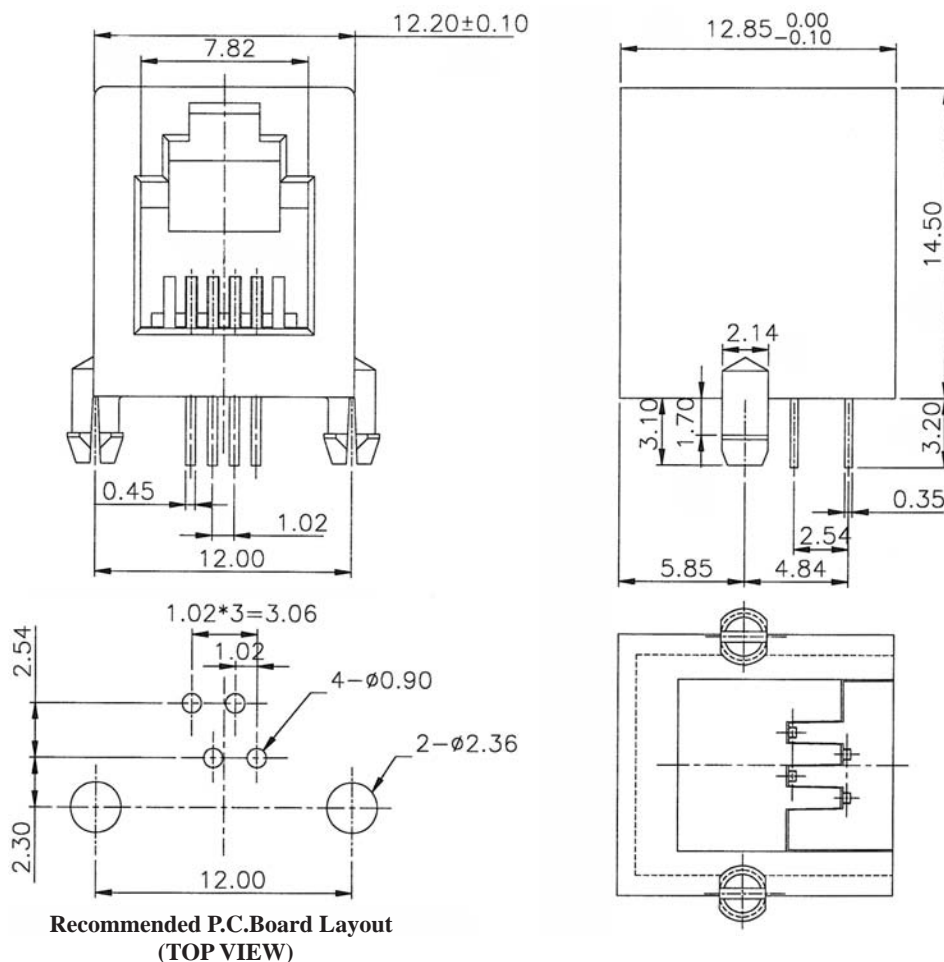
Soldering Temperature: 235°C

Color: Black & Gray

Spring Wire: Phosphor Bronze

Gold plating Over Nickel

All materials must be RoHS compliant.



**Recommended P.C.Board Layout
(TOP VIEW)**

ORDERING INFORMATION:

P/N M J 1 Q - $\frac{44}{1} \frac{x}{2} \frac{x}{3}$

1. NO. OF POSITIONS & CONTACTS:

"44" 4P4C

2. CONTACT FINISH:

"A" 6 MICROINCH GOLD

"B" 15 MICROINCH GOLD

"C" 30 MICROINCH GOLD

"D" 50 MICROINCH GOLD

"E" GOLD FLASH

3. HOUSING COLOR:

"A" GRAY

"B" BLACK

SIDE ENTRY UP LATCH MODULAR PCB JACK 6P PROFILE=14.50MM (UNSHIELDED)

SPECIFICATIONS

Insulation Resistance: 500M Ω Min.

Contact Resistance: 20m Ω Max.

Rating Current: 1.5A Max.

Rating Voltage: 120V AC.

Dielectric Voltage: 1000 Vrms 60 Sec. Min.

Temperature Range: -40 $^{\circ}$ C / +85 $^{\circ}$ C

Durability: 500 Mating cycles Min.

MATERIALS

Housing: PBT Glass Filled (UL 94V-0)

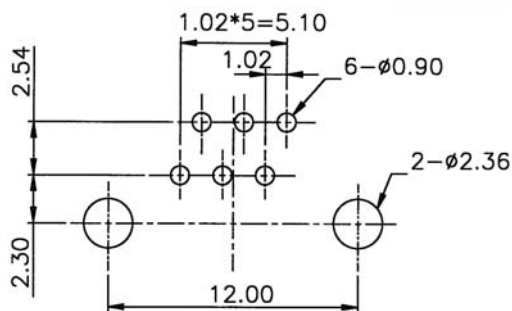
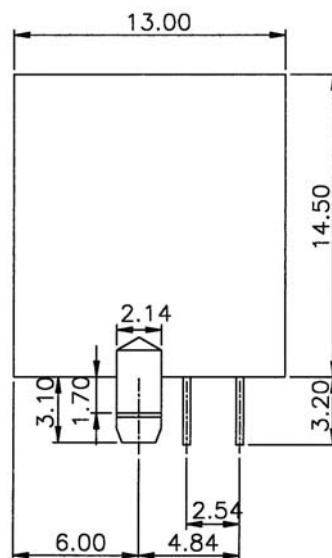
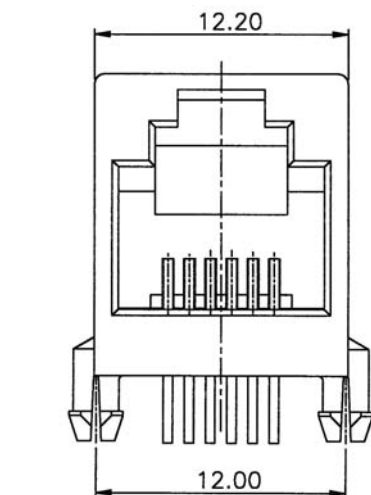
Soldering Temperature: 235 $^{\circ}$ C

Color: Black & Gray

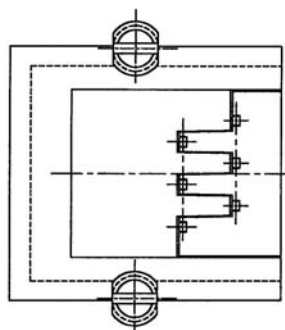
Spring Wire: Phosphor Bronze

Gold plating Over Nickel

All materials must be RoHS compliant.



Recommended P.C.Board Layout
(TOP VIEW)



ORDERING INFORMATION:

P/N M J 1 Q - $\frac{x}{1} \frac{x}{2} \frac{x}{3}$

1. NO. OF POSITIONS & CONTACTS:

"66" 6P6C

"64" 6P4C

2. CONTACT FINISH:

"A" 6 MICROINCH GOLD

"B" 15 MICROINCH GOLD

"C" 30 MICROINCH GOLD

"D" 50 MICROINCH GOLD

"E" GOLD FLASH

3. HOUSING COLOR:

"A" GRAY

"B" BLACK

SIDE ENTRY UP LATCH MODULAR PCB JACK 8P PROFILE=14.50MM (UNSHIELDED)

SPECIFICATIONS

Insulation Resistance: 500MΩ Min.

Contact Resistance: 20mΩ Max.

Rating Current: 1.5A Max.

Rating Voltage: 120V AC.

Dielectric Voltage: 1000 Vrms 60 Sec. Min.

Temperature Range: -40°C / +85°C

Durability: 500 Mating cycles Min.

MATERIALS

Housing: PBT Glass Filled (UL 94V-0)

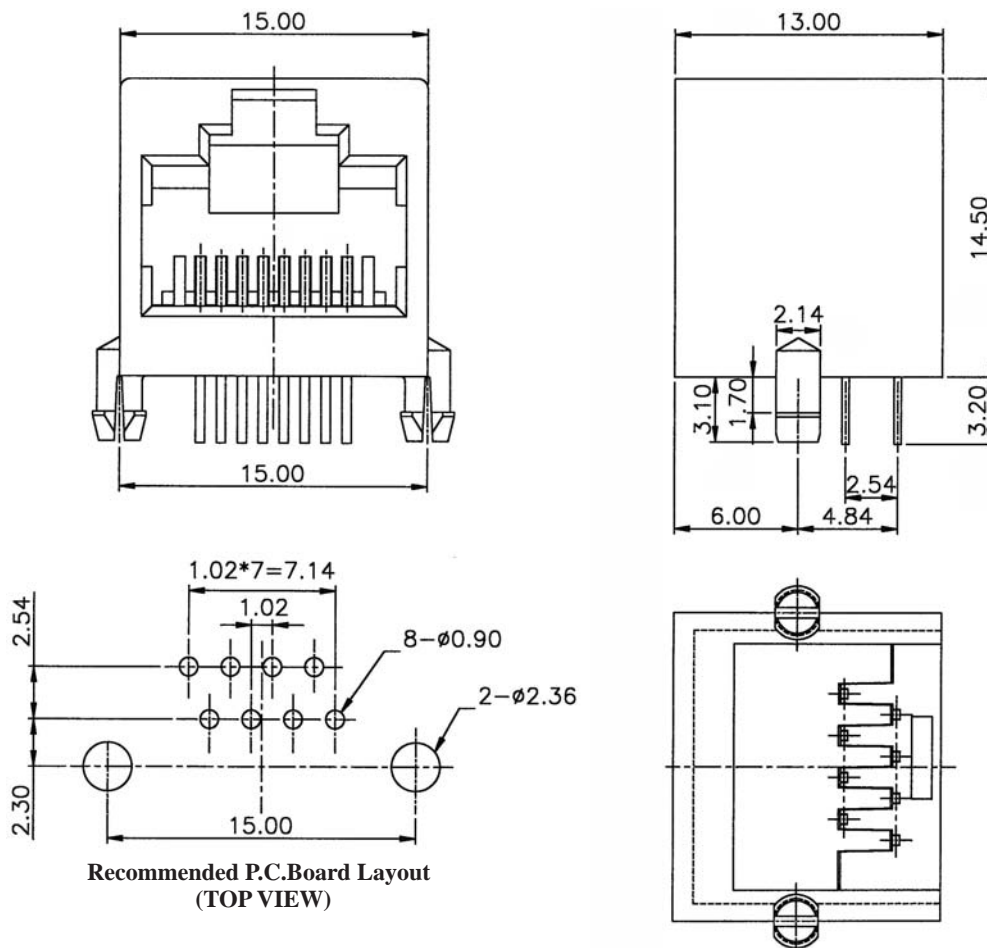
Soldering Temperature: 235°C

Color: Black & Gray

Spring Wire: Phosphor Bronze

Gold plating Over Nickel

All materials must be RoHS compliant.



ORDERING INFORMATION:

P/N M J 1 Q - $\frac{x}{1} \frac{x}{2} \frac{x}{3}$

1. NO. OF POSITIONS & CONTACTS:

"88" 8P8C

"84" 8P4C

2. CONTACT FINISH:

"A" 6 MICROINCH GOLD

"B" 15 MICROINCH GOLD

"C" 30 MICROINCH GOLD

"D" 50 MICROINCH GOLD

"E" GOLD FLASH

3. HOUSING COLOR:

"A" GRAY

"B" BLACK

SIDE ENTRY UP LATCH MODULAR PCB JACK WITH PIN 1, 4 & 5, 8 SHORTED 8P PROFILE=14.50MM (UNSHIELDED)

SPECIFICATIONS

Insulation Resistance: 500MΩ Min.

Contact Resistance: 20mΩ Max.

Rating Current: 1.5A Max.

Rating Voltage: 120V AC.

Dielectric Voltage: 1000 Vrms 60 Sec. Min.

Temperature Range: -40°C / +85°C

Durability: 500 Mating cycles Min.

MATERIALS

Housing: PBT Glass Filled (UL 94V-0)

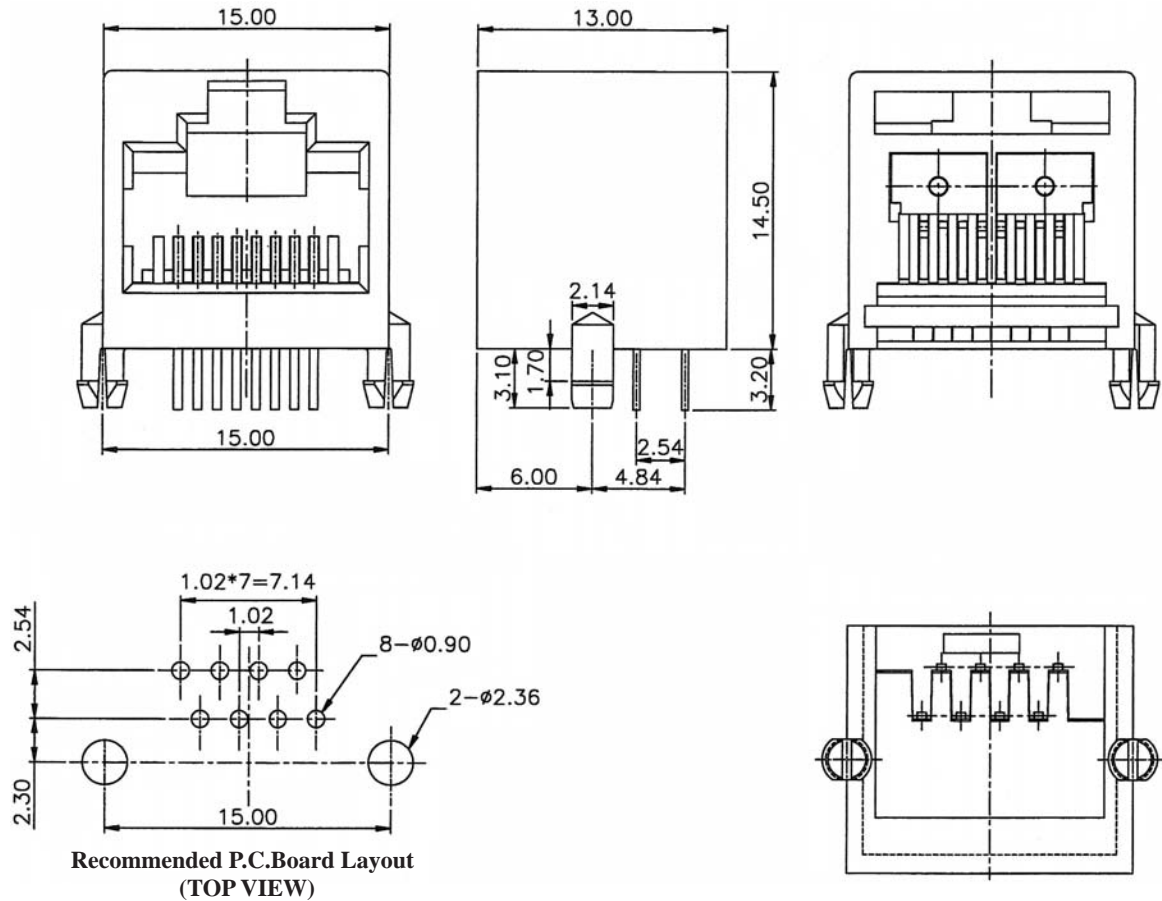
Soldering Temperature: 235°C

Color: Black

Spring Wire: Phosphor Bronze

Gold plating Over Nickel

All materials must be RoHS compliant.



Recommended P.C.Board Layout
(TOP VIEW)

ORDERING INFORMATION:

P/N M J 1 N - $\frac{88}{1} \times \frac{B}{2}$

1. NO. OF POSITIONS & CONTACTS:

"88" 8P8C

2. CONTACT FINISH:

"A" 6 MICROINCH GOLD

"B" 15 MICROINCH GOLD

"C" 30 MICROINCH GOLD

"D" 50 MICROINCH GOLD

"E" GOLD FLASH

SIDE ENTRY UP LATCH MODULAR PCB JACK 10P PROFILE=14.50MM (UNSHIELDED)

SPECIFICATIONS

Insulation Resistance: 500M Ω Min.

Contact Resistance: 20m Ω Max.

Rating Current: 1.5A Max.

Rating Voltage: 120V AC.

Dielectric Voltage: 1000 Vrms 60 Sec. Min.

Temperature Range: -40 $^{\circ}$ C / +85 $^{\circ}$ C

Durability: 500 Mating cycles Min.

MATERIALS

Housing: PBT Glass Filled (UL 94V-0)

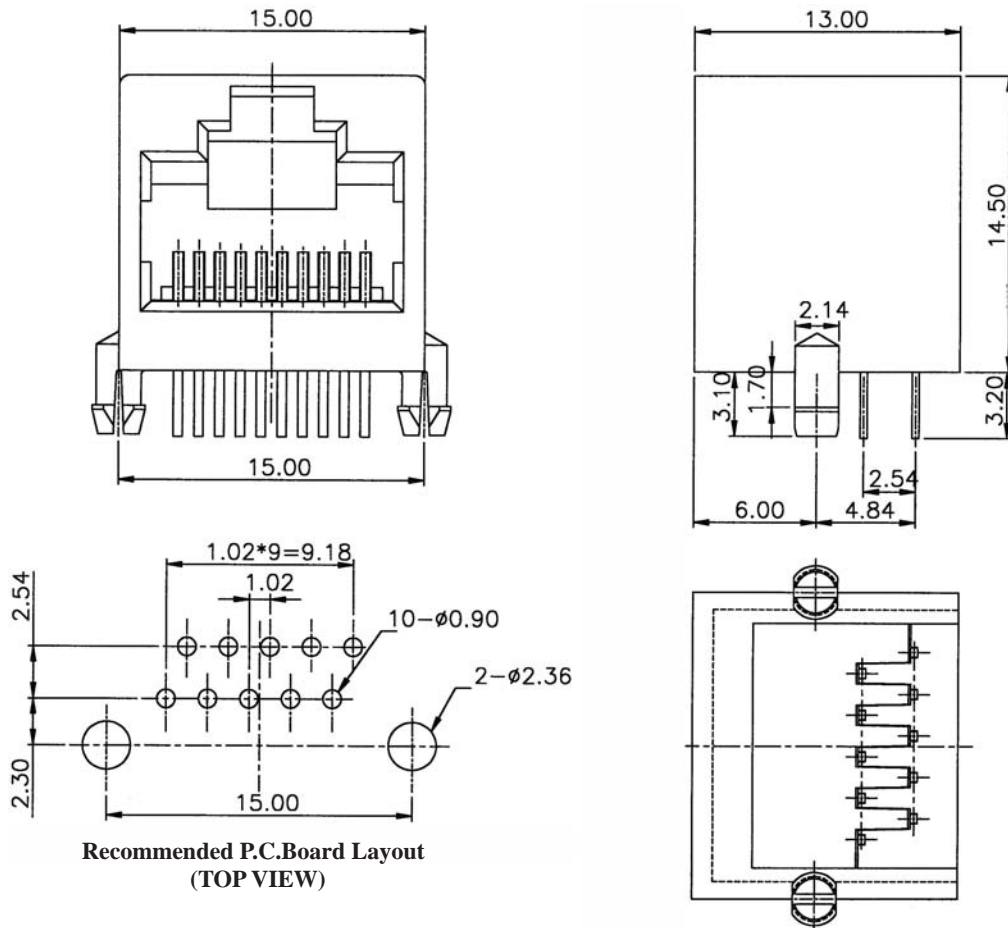
Soldering Temperature: 235 $^{\circ}$ C

Color: Black & Gray

Spring Wire: Phosphor Bronze

Gold plating Over Nickel

All materials must be RoHS compliant.



ORDERING INFORMATION:

P/N M J 1 Q - $\frac{x}{1} \frac{x}{2} \frac{x}{3}$

1. NO. OF POSITIONS & CONTACTS:

"00" 10P10C

"08" 10P8C

2. CONTACT FINISH:

"A" 6 MICROINCH GOLD

"B" 15 MICROINCH GOLD

"C" 30 MICROINCH GOLD

"D" 50 MICROINCH GOLD

"E" GOLD FLASH

3. HOUSING COLOR:

"A" GRAY

"B" BLACK

SIDE ENTRY UP LATCH MODULAR PCB JACK WITH REVERSED PINS 8P PROFILE=14.50MM (UNSHIELDED)

SPECIFICATIONS

Insulation Resistance: 500MΩ Min.

Contact Resistance: 20mΩ Max.

Rating Current: 1.5A Max.

Rating Voltage: 120V AC.

Dielectric Voltage: 1000 Vrms 60 Sec. Min.

Temperature Range: -40°C / +85°C

Durability: 500 Mating cycles Min.

MATERIALS

Housing: PBT Glass Filled (UL 94V-0)

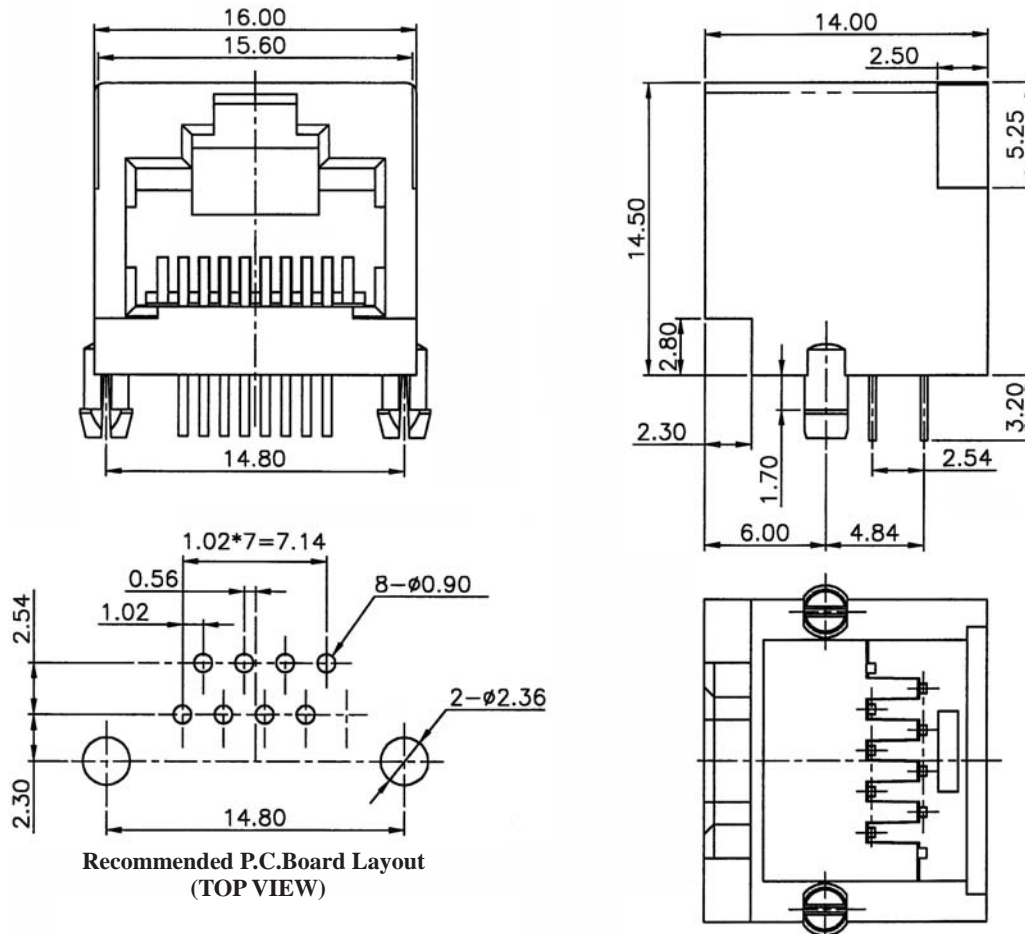
Soldering Temperature: 235°C

Color: Black

Spring Wire: Phosphor Bronze

Gold plating Over Nickel

All materials must be RoHS compliant.



ORDERING INFORMATION:

P/N M J 1 R - $\frac{x}{1} \frac{x}{2} B$

1. NO. OF POSITIONS & CONTACTS:

"88" 8P8C

"84" 8P4C

2. CONTACT FINISH:

"A" 6 MICROINCH GOLD

"B" 15 MICROINCH GOLD

"C" 30 MICROINCH GOLD

"D" 50 MICROINCH GOLD

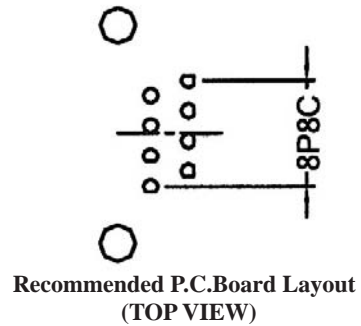
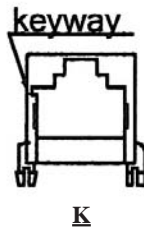
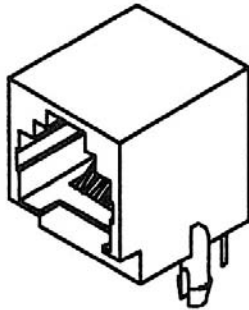
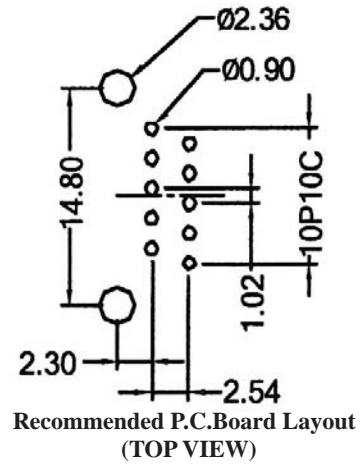
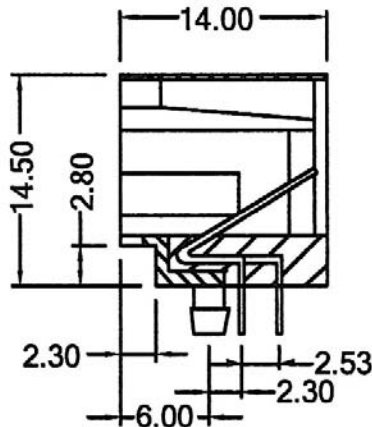
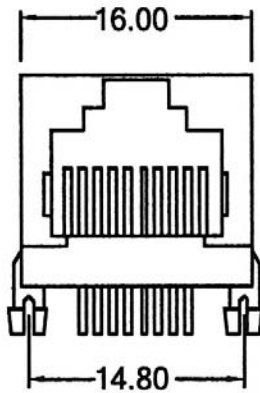
SIDE ENTRY UP LATCH MODULAR PCB JACK 8P+10P PROFILE=14.50MM (UNSHIELDED)

SPECIFICATIONS

Insulation Resistance: 500MΩ Min.
Contact Resistance: 20mΩ Max.
Rating Current: 1.5A Max.
Rating Voltage: 120V AC.
Dielectric Voltage: 1000 Vrms 60 Sec. Min.
Temperature Range: -40°C / +85°C
Durability: 500 Mating cycles Min.

MATERIALS

Housing: PBT Glass Filled (UL 94V-0)
Soldering Temperature: 235°C
Color: Black & Gray
Spring Wire: Phosphor Bronze
 Gold plating Over Nickel
All materials must be RoHS compliant.



ORDERING INFORMATION:

P/N MJS 1 - $\frac{X X X X X}{1 2 3 4}$

- NO. OF POSITIONS & CONTACTS:
 "88" 8P8C
 "00" 10P10C
- CONTACT FINISH:
 "A" 6 MICROINCH GOLD
 "B" 15 MICROINCH GOLD
 "C" 30 MICROINCH GOLD
 "D" 50 MICROINCH GOLD
- HOUSING COLOR:
 "A" GRAY
 "B" BLACK
- KEYWAY OPTION:
 " " W/O KEYWAY
 "K" WITH KEYWAY

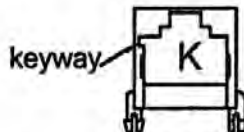
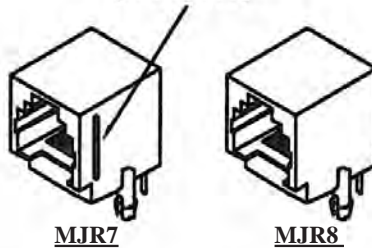
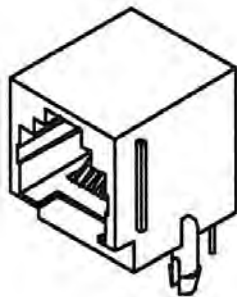
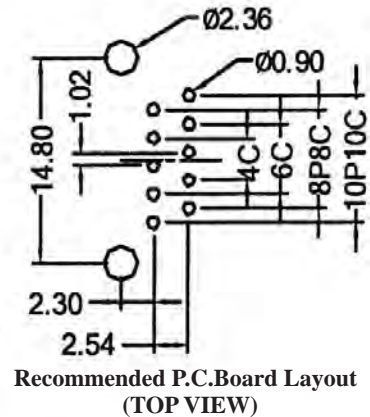
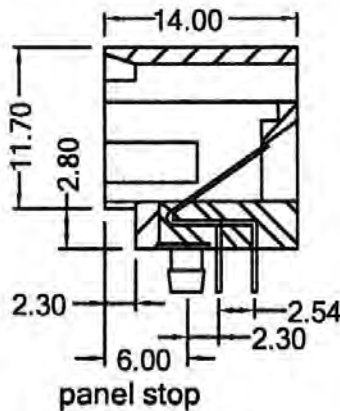
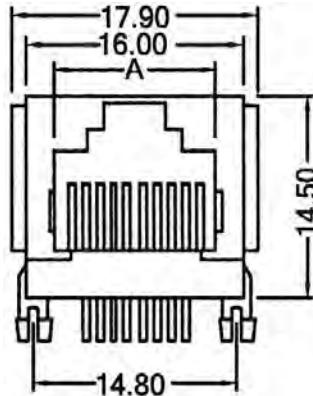
SIDE ENTRY UP LATCH MODULAR PCB JACK 6P+8P+10P PROFILE=14.50MM (UNSHIELDED)

SPECIFICATIONS

Insulation Resistance: 500MΩ Min.
Contact Resistance: 20mΩ Max.
Rating Current: 1.5A Max.
Rating Voltage: 120V AC.
Dielectric Voltage: 1000 Vrms 60 Sec. Min.
Temperature Range: -40°C / +85°C
Durability: 500 Mating cycles Min.

MATERIALS

Housing: PBT Glass Filled (UL 94V-0)
Soldering Temperature: 235°C
Color: Black & Gray
Spring Wire: Phosphor Bronze
 Gold plating Over Nickel
All materials must be RoHS compliant.



No. of Positions	No. of Contacts	A
(8P)6P	2C/4C/6C	10.00
8P	2C/4C/6C/8C	12.10
10P	10C	12.10

ORDERING INFORMATION:

P/N M J $\frac{XX}{1} - \frac{XX}{2} \frac{XXX}{3} \frac{XXX}{4}$

- PANEL STOP OPTION:
 - "R7" WITH PANEL STOP
 - "R8" W/O PANEL STOP
- NO. OF POSITIONS & CONTACTS:
 - "66" 6P6C
 - "64" 6P4C
 - "88" 8P8C
 - "00" 10P10C
- CONTACT FINISH:
 - "A" 6 MICROINCH GOLD
 - "B" 15 MICROINCH GOLD
 - "C" 30 MICROINCH GOLD
 - "D" 50 MICROINCH GOLD
- HOUSING COLOR:
 - "A" GRAY
 - "B" BLACK
- KEYWAY OPTION:
 - " " W/O KEYWAY
 - "K" WITH KEYWAY (for 8P & 10P)