

# SIDE ENTRY 2-PORT UP LATCH MODULAR PCB JACK 6P PROFILE=14.50MM (UNSHIELDED)

## SPECIFICATIONS

Insulation Resistance: 500MΩ Min.

Contact Resistance: 20mΩ Max.

Rating Current: 1.5A Max.

Rating Voltage: 120V AC.

Dielectric Voltage: 1000 Vrms 60 Sec. Min.

Temperature Range: -40°C / +85°C

Durability: 500 Mating cycles Min.

## MATERIALS

Housing: PBT Glass Filled (UL 94V-0)

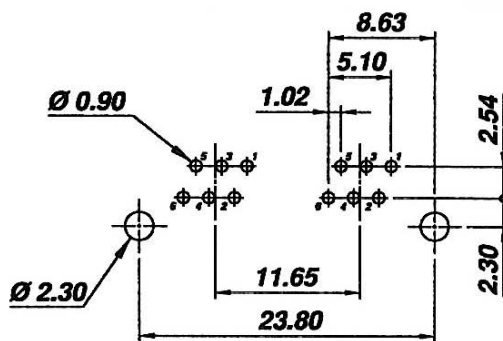
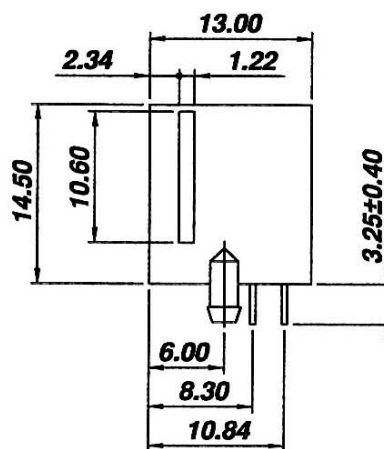
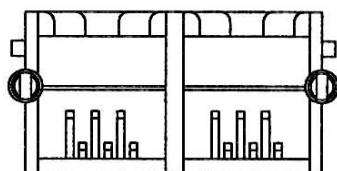
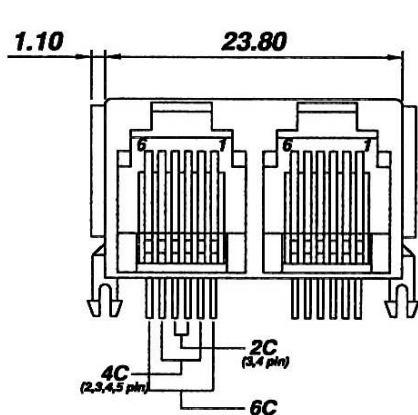
Soldering Temperature: 235°C

Color: Black & Gray

Spring Wire: Phosphor Bronze

Gold plating Over Nickel

All materials must be RoHS compliant.



Recommended P.C.Board Layout  
(TOP VIEW)

## ORDERING INFORMATION:

P/N MJ6T -  $\frac{x}{1} \frac{x}{2} \frac{x}{3} \frac{x}{4} \frac{0}{2}$

### 1. NO. OF POSITIONS & CONTACTS:

"66" 6P6C

"64" 6P4C

### 2. CONTACT FINISH:

"A" 6 MICROINCH GOLD

"B" 15 MICROINCH GOLD

"C" 30 MICROINCH GOLD

"D" 50 MICROINCH GOLD

### 3. HOUSING COLOR:

"A" GRAY

"B" BLACK

### 4. NO. OF PORTS:

02

NOTE: P/N MJ6THT-6xxx02 for High Temp. Version

# SIDE ENTRY 3-PORT UP LATCH MODULAR PCB JACK 6P PROFILE=14.50MM (UNSHIELDED)

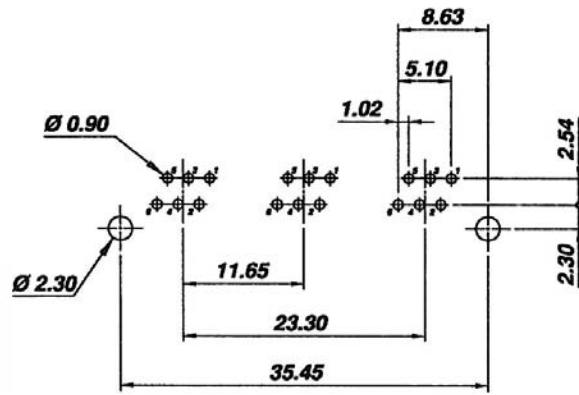
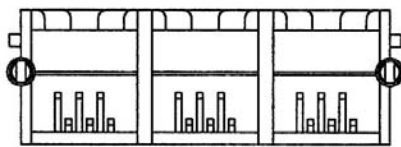
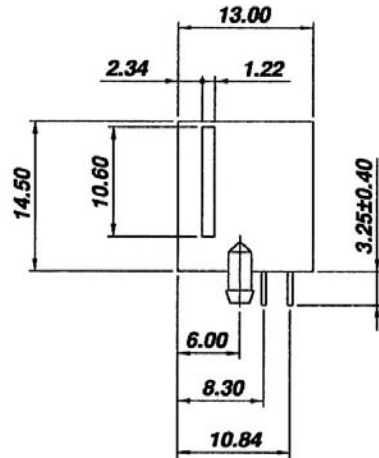
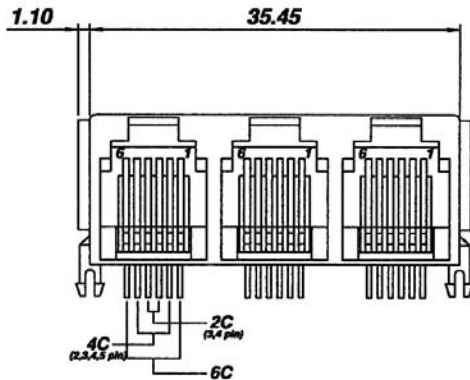
## SPECIFICATIONS

Insulation Resistance: 500MΩ Min.  
 Contact Resistance: 20mΩ Max.  
 Rating Current: 1.5A Max.  
 Rating Voltage: 120V AC.  
 Dielectric Voltage: 1000 Vrms 60 Sec. Min.  
 Temperature Range: -40°C / +85°C  
 Durability: 500 Mating cycles Min.

## MATERIALS

Housing: PBT Glass Filled (UL 94V-0)  
 Soldering Temperature: 235°C  
 Color: Black & Gray  
 Spring Wire: Phosphor Bronze  
 Gold plating Over Nickel

All materials must be RoHS compliant.



Recommended P.C.Board Layout (TOP VIEW)

## ORDERING INFORMATION:

P/N MJ6T -  $\frac{xx}{1} \frac{xx}{2} \frac{xx}{3} \frac{03}{4}$

### 1. NO. OF POSITIONS & CONTACTS:

"66" 6P6C  
 "64" 6P4C

### 2. CONTACT FINISH:

"A" 6 MICROINCH GOLD  
 "B" 15 MICROINCH GOLD  
 "C" 30 MICROINCH GOLD  
 "D" 50 MICROINCH GOLD

### 3. HOUSING COLOR:

"A" GRAY  
 "B" BLACK

### 4. NO. OF PORTS:

03

NOTE: P/N MJ6THT-6xxx03 for High Temp. Version

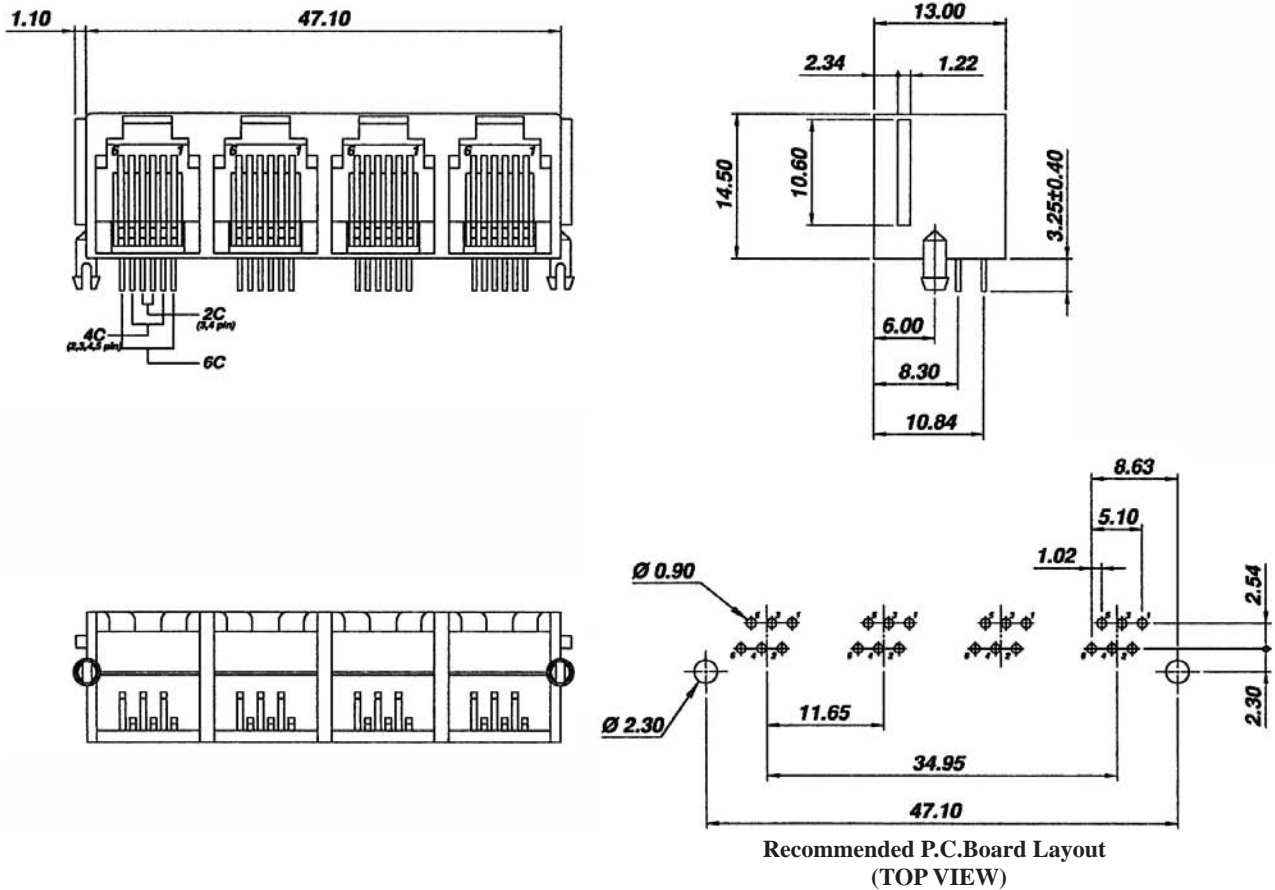
# SIDE ENTRY 4-PORT UP LATCH MODULAR PCB JACK 6P PROFILE=14.50MM (UNSHIELDED)

## SPECIFICATIONS

**Insulation Resistance:** 500MΩ Min.  
**Contact Resistance:** 20mΩ Max.  
**Rating Current:** 1.5A Max.  
**Rating Voltage:** 120V AC.  
**Dielectric Voltage:** 1000 Vrms 60 Sec. Min.  
**Temperature Range:** -40°C / +85°C  
**Durability:** 500 Mating cycles Min.

## MATERIALS

**Housing:** PBT Glass Filled (UL 94V-0)  
**Soldering Temperature:** 235°C  
**Color:** Black & Gray  
**Spring Wire:** Phosphor Bronze  
 Gold plating Over Nickel  
**All materials must be RoHS compliant.**



## ORDERING INFORMATION:

P/N MJ6T -  $\frac{x}{1} \frac{x}{2} \frac{x}{3} \frac{x}{4} 04$

### 1. NO. OF POSITIONS & CONTACTS:

"66" 6P6C  
 "64" 6P4C

### 2. CONTACT FINISH:

"A" 6 MICROINCH GOLD  
 "B" 15 MICROINCH GOLD  
 "C" 30 MICROINCH GOLD  
 "D" 50 MICROINCH GOLD

### 3. HOUSING COLOR:

"A" GRAY  
 "B" BLACK

### 4. NO. OF PORTS:

04

NOTE: P/N MJ6THT-6xxx04 for High Temp. Version

# SIDE ENTRY 5-PORT UP LATCH MODULAR PCB JACK 6P PROFILE=14.50MM (UNSHIELDED)

## SPECIFICATIONS

Insulation Resistance: 500MΩ Min.

Contact Resistance: 20mΩ Max.

Rating Current: 1.5A Max.

Rating Voltage: 120V AC.

Dielectric Voltage: 1000 Vrms 60 Sec. Min.

Temperature Range: -40°C / +85°C

Durability: 500 Mating cycles Min.

## MATERIALS

Housing: PBT Glass Filled (UL 94V-0)

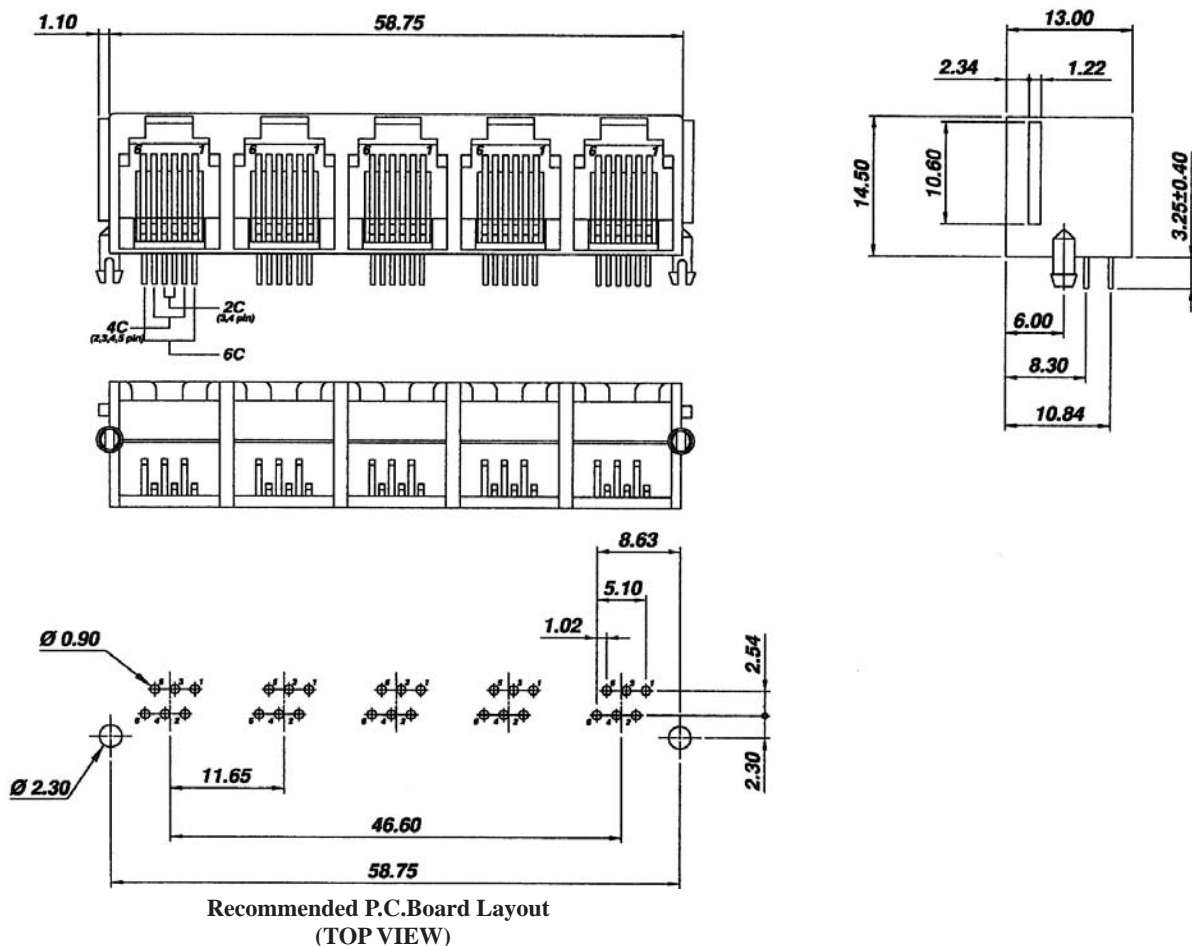
Soldering Temperature: 235°C

Color: Black & Gray

Spring Wire: Phosphor Bronze

Gold plating Over Nickel

All materials must be RoHS compliant.



## ORDERING INFORMATION:

P/N MJ6T -  $\frac{x}{1} \frac{x}{2} \frac{x}{3} \frac{x}{4} \frac{05}{5}$

1. NO. OF POSITIONS & CONTACTS:

"66" 6P6C

"64" 6P4C

2. CONTACT FINISH:

"A" 6 MICROINCH GOLD

"B" 15 MICROINCH GOLD

"C" 30 MICROINCH GOLD

"D" 50 MICROINCH GOLD

3. HOUSING COLOR:

"A" GRAY

"B" BLACK

4. NO. OF PORTS:

05

NOTE: P/N MJ6THT-6xxx05 for High Temp. Version

# SIDE ENTRY 6-PORT UP LATCH MODULAR PCB JACK 6P PROFILE=14.50MM (UNSHIELDED)

## SPECIFICATIONS

Insulation Resistance: 500MΩ Min.

Contact Resistance: 20mΩ Max.

Rating Current: 1.5A Max.

Rating Voltage: 120V AC.

Dielectric Voltage: 1000 Vrms 60 Sec. Min.

Temperature Range: -40°C / +85°C

Durability: 500 Mating cycles Min.

## MATERIALS

Housing: PBT Glass Filled (UL 94V-0)

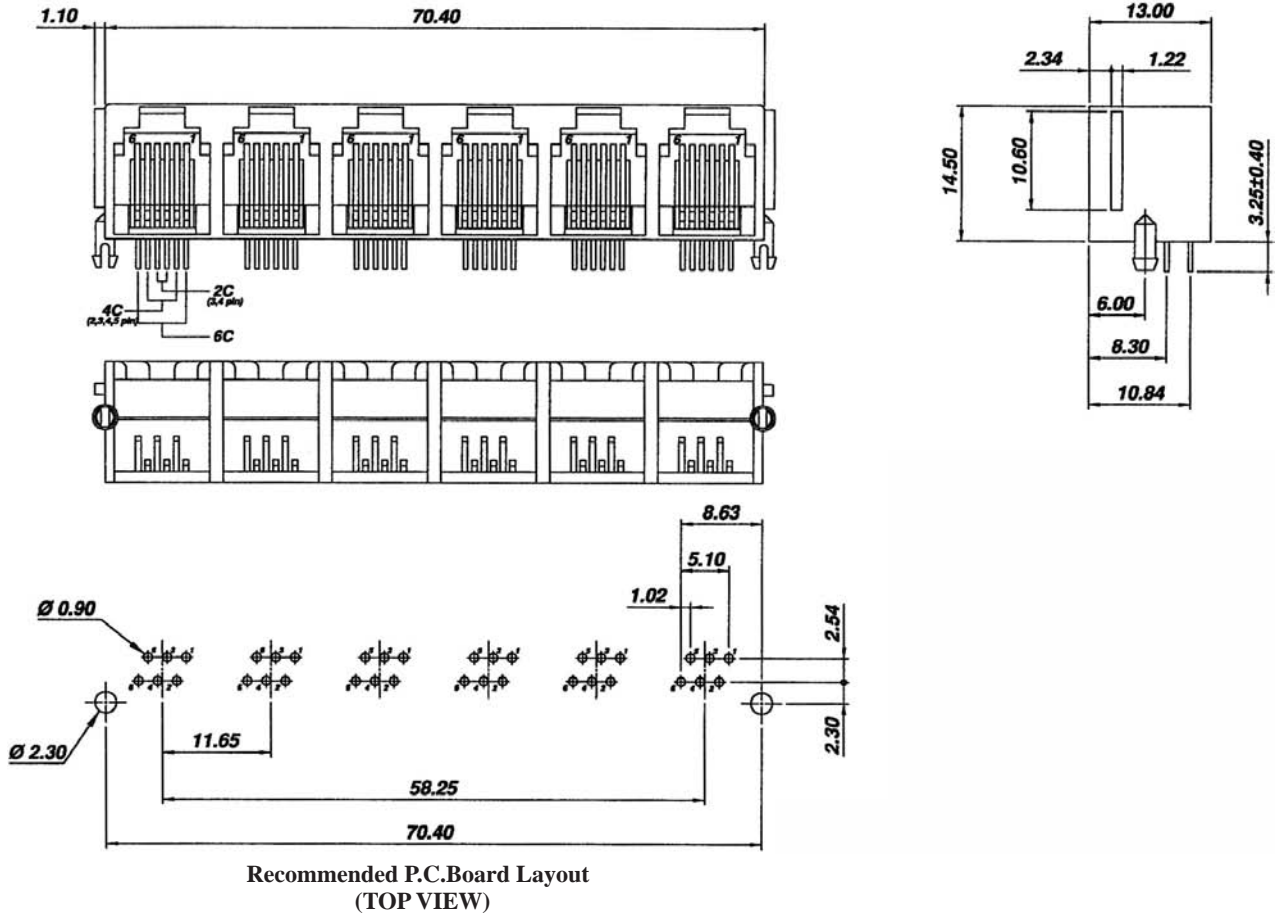
Soldering Temperature: 235°C

Color: Black & Gray

Spring Wire: Phosphor Bronze

Gold plating Over Nickel

All materials must be RoHS compliant.



## ORDERING INFORMATION:

P/N MJ6T -  $\frac{\text{xx}}{1} \frac{\text{xx}}{2} \frac{\text{xx}}{3} \frac{\text{xx}}{4} \frac{06}{4}$

1. NO. OF POSITIONS & CONTACTS:

"66" 6P6C

"64" 6P4C

2. CONTACT FINISH:

"A" 6 MICROINCH GOLD

"B" 15 MICROINCH GOLD

"C" 30 MICROINCH GOLD

"D" 50 MICROINCH GOLD

3. HOUSING COLOR:

"A" GRAY

"B" BLACK

4. NO. OF PORTS:

06

NOTE: P/N MJ6THT-6xxx06 for High Temp. Version

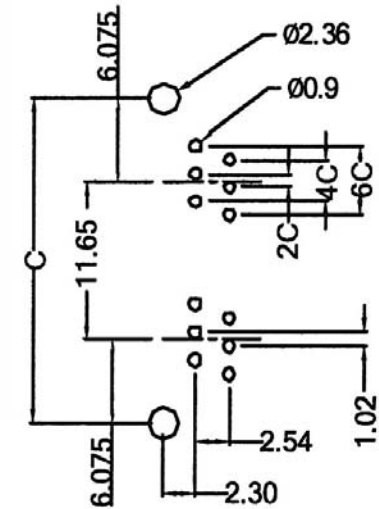
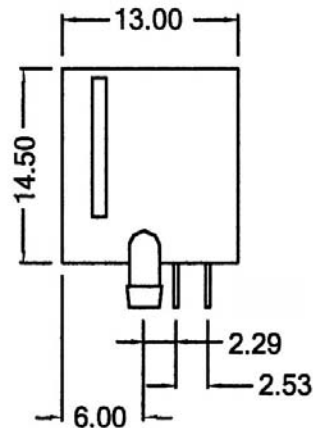
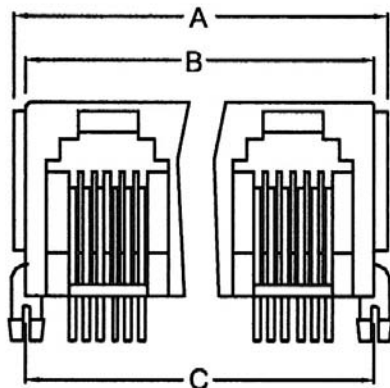
## SIDE ENTRY MULTI-PORT UP LATCH MODULAR PCB JACK 6P PROFILE=14.50MM (UNSHIELDED)

### SPECIFICATIONS

**Insulation Resistance:** 500MΩ Min.  
**Contact Resistance:** 20mΩ Max.  
**Rating Current:** 1.5A Max.  
**Rating Voltage:** 120V AC.  
**Dielectric Voltage:** 1000 Vrms 60 Sec. Min.  
**Temperature Range:** -40°C / +85°C  
**Durability:** 500 Mating cycles Min.

### MATERIALS

**Housing:** PBT Glass Filled (UL 94V-0)  
**Soldering Temperature:** 235°C  
**Color:** Black & Gray  
**Spring Wire:** Phosphor Bronze  
 Gold plating Over Nickel  
**All materials must be RoHS compliant.**



Recommended P.C. Board Layout (TOP VIEW)

$$\begin{aligned}
 A &= 11.65 \times \text{Ports} + 2.50 \\
 B &= 11.65 \times \text{Ports} + 0.70 \\
 C &= 11.65 \times \text{Ports} + 0.50
 \end{aligned}$$

### ORDERING INFORMATION:

P/N M J 3 R -  $\frac{x}{1} \frac{x}{2} \frac{x}{3} \frac{A}{4} \frac{x}{x}$

1. NO. OF POSITIONS & CONTACTS:

"66" 6P6C  
 "64" 6P4C

2. CONTACT FINISH:

"A" 6 MICROINCH GOLD  
 "B" 15 MICROINCH GOLD  
 "C" 30 MICROINCH GOLD  
 "D" 50 MICROINCH GOLD  
 "E" GOLD FLASH

3. HOUSING COLOR:

"A" GRAY (STANDARD)  
 "B" BLACK

4. NO. OF PORTS:

02, 03, 04, 05, 06, 07, 08

## SIDE ENTRY 2-PORT UP LATCH MODULAR PCB JACK 8P PROFILE=14.50MM (UNSHIELDED)

### SPECIFICATIONS

**Insulation Resistance:** 500MΩ Min.

**Contact Resistance:** 20mΩ Max.

**Rating Current:** 1.5A Max.

**Rating Voltage:** 120V AC.

**Dielectric Voltage:** 1000 Vrms 60 Sec. Min.

**Temperature Range:** -40°C / +85°C

**Durability:** 500 Mating cycles Min.

### MATERIALS

**Housing:** PBT Glass Filled (UL 94V-0)

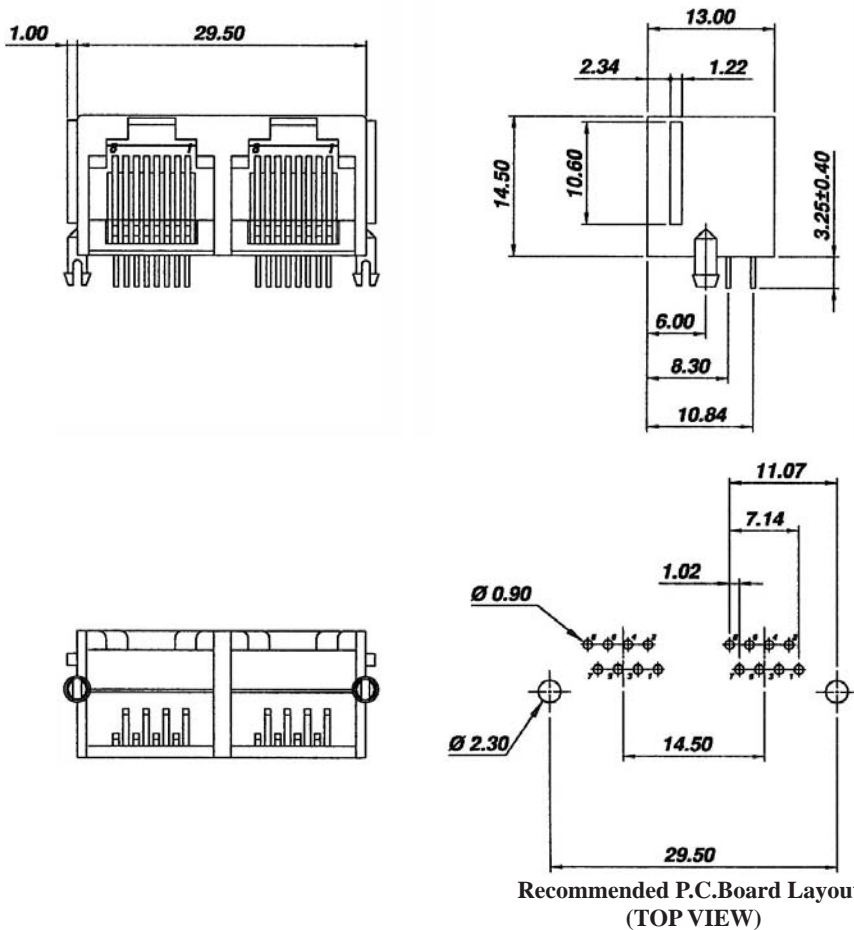
**Soldering Temperature:** 235°C

**Color:** Black & Gray

**Spring Wire:** Phosphor Bronze

Gold plating Over Nickel

All materials must be RoHS compliant.



Recommended P.C.Board Layout  
(TOP VIEW)

### ORDERING INFORMATION:

P/N M J 6 T -  $\frac{88}{1} \times \frac{23}{3} \times \frac{02}{4}$

#### 1. NO. OF POSITIONS & CONTACTS:

"88" 8P8C

#### 2. CONTACT FINISH:

"A" 6 MICROINCH GOLD

"B" 15 MICROINCH GOLD

"C" 30 MICROINCH GOLD

"D" 50 MICROINCH GOLD

#### 3. HOUSING COLOR:

"A" GRAY

"B" BLACK

#### 4. NO. OF PORTS:

02

# SIDE ENTRY 3-PORT UP LATCH MODULAR PCB JACK 8P PROFILE=14.50MM (UNSHIELDED)

## SPECIFICATIONS

**Insulation Resistance:** 500MΩ Min.

**Contact Resistance:** 20mΩ Max.

**Rating Current:** 1.5A Max.

**Rating Voltage:** 120V AC.

**Dielectric Voltage:** 1000 Vrms 60 Sec. Min.

**Temperature Range:** -40°C / +85°C

**Durability:** 500 Mating cycles Min.

## MATERIALS

**Housing:** PBT Glass Filled (UL 94V-0)

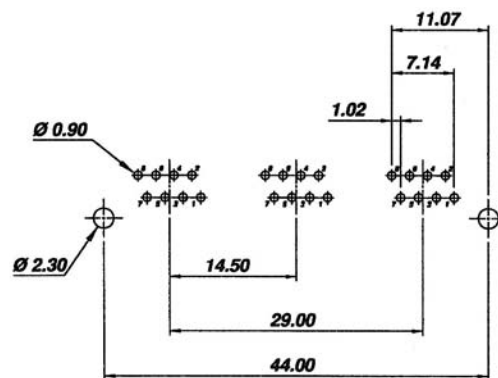
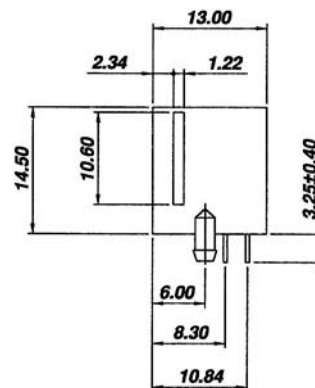
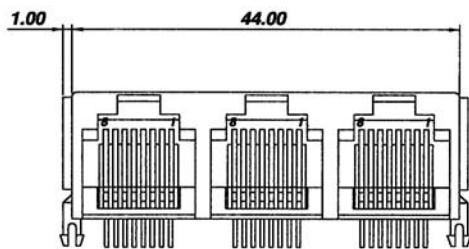
**Soldering Temperature:** 235°C

**Color:** Black & Gray

**Spring Wire:** Phosphor Bronze

Gold plating Over Nickel

All materials must be RoHS compliant.



Recommended P.C. Board Layout  
(TOP VIEW)

## ORDERING INFORMATION:

P/N M J 6 T -  $\frac{88}{1} \times \frac{3}{23} \times \frac{03}{4}$

### 1. NO. OF POSITIONS & CONTACTS:

"88" 8P8C

### 2. CONTACT FINISH:

"A" 6 MICROINCH GOLD

"B" 15 MICROINCH GOLD

"C" 30 MICROINCH GOLD

"D" 50 MICROINCH GOLD

### 3. HOUSING COLOR:

"A" GRAY

"B" BLACK

### 4. NO. OF PORTS:

03



# SIDE ENTRY 4-PORT UP LATCH MODULAR PCB JACK 8P PROFILE=14.50MM (UNSHIELDED)

## SPECIFICATIONS

**Insulation Resistance:** 500MΩ Min.

**Contact Resistance:** 20mΩ Max.

**Rating Current:** 1.5A Max.

**Rating Voltage:** 120V AC.

**Dielectric Voltage:** 1000 Vrms 60 Sec. Min.

**Temperature Range:** -40°C / +85°C

**Durability:** 500 Mating cycles Min.

## MATERIALS

**Housing:** PBT Glass Filled (UL 94V-0)

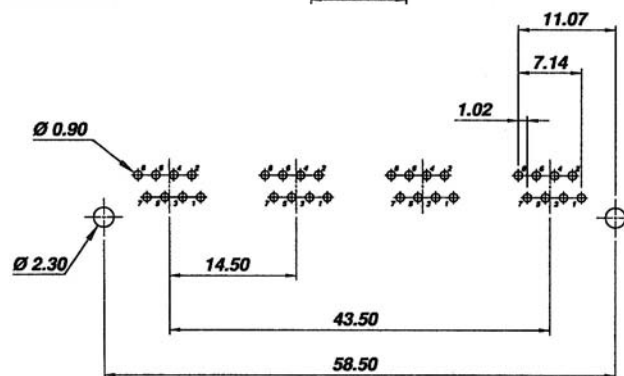
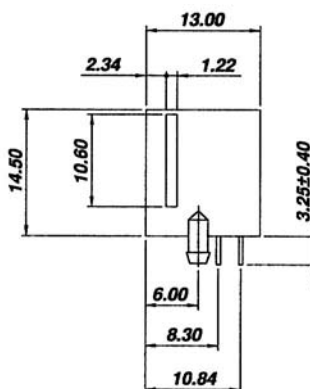
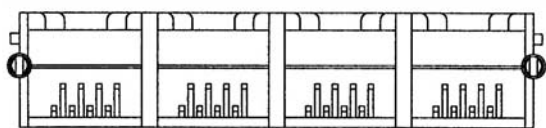
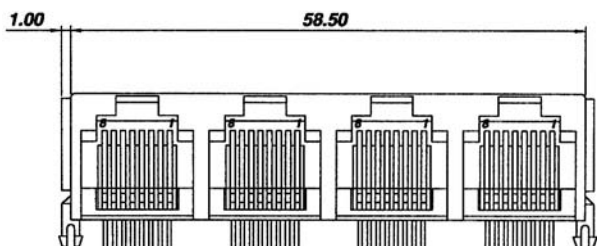
**Soldering Temperature:** 235°C

**Color:** Black & Gray

**Spring Wire:** Phosphor Bronze

Gold plating Over Nickel

All materials must be RoHS compliant.



Recommended P.C.Board Layout  
(TOP VIEW)

## ORDERING INFORMATION:

P/N M J 6 T -  $\frac{88}{1} \times \frac{2}{3} \times \frac{04}{4}$

### 1. NO. OF POSITIONS & CONTACTS:

"88" 8P8C

### 2. CONTACT FINISH:

"A" 6 MICROINCH GOLD

"B" 15 MICROINCH GOLD

"C" 30 MICROINCH GOLD

"D" 50 MICROINCH GOLD

### 3. HOUSING COLOR:

"A" GRAY

"B" BLACK

### 4. NO. OF PORTS:

04

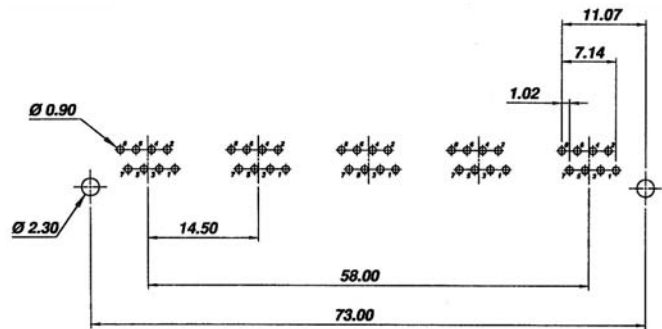
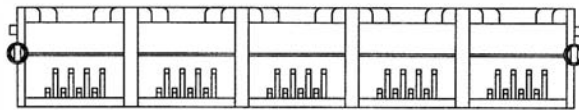
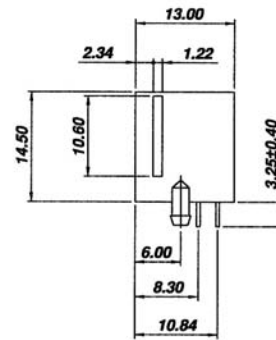
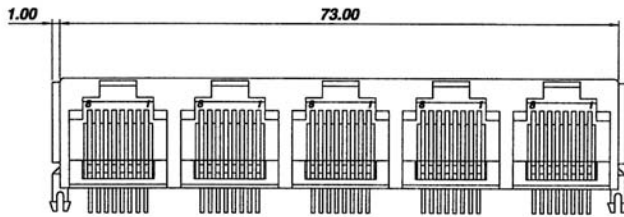
# SIDE ENTRY 5-PORT UP LATCH MODULAR PCB JACK 8P PROFILE=14.50MM (UNSHIELDED)

## SPECIFICATIONS

**Insulation Resistance:** 500MΩ Min.  
**Contact Resistance:** 20mΩ Max.  
**Rating Current:** 1.5A Max.  
**Rating Voltage:** 120V AC.  
**Dielectric Voltage:** 1000 Vrms 60 Sec. Min.  
**Temperature Range:** -40°C / +85°C  
**Durability:** 500 Mating cycles Min.

## MATERIALS

**Housing:** PBT Glass Filled (UL 94V-0)  
**Soldering Temperature:** 235°C  
**Color:** Black & Gray  
**Spring Wire:** Phosphor Bronze  
 Gold plating Over Nickel  
**All materials must be RoHS compliant.**



Recommended P.C. Board Layout (TOP VIEW)

## ORDERING INFORMATION:

P/N M J 6 T -  $\frac{88}{1} \times \frac{8}{23} \times \frac{05}{4}$

1. NO. OF POSITIONS & CONTACTS:  
"88" 8P8C
2. CONTACT FINISH:  
"A" 6 MICROINCH GOLD  
"B" 15 MICROINCH GOLD  
"C" 30 MICROINCH GOLD  
"D" 50 MICROINCH GOLD
3. HOUSING COLOR:  
"A" GRAY  
"B" BLACK
4. NO. OF PORTS:  
05

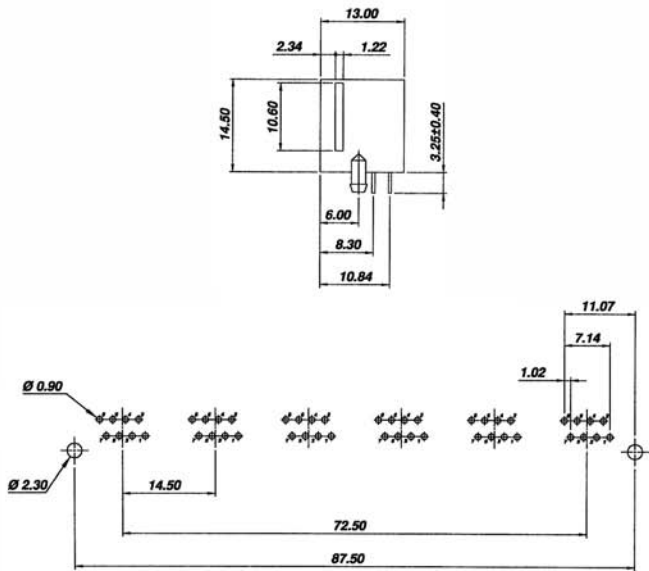
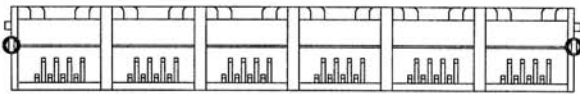
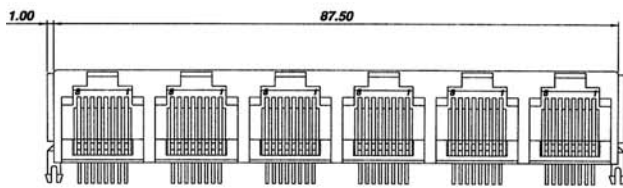
# SIDE ENTRY 6-PORT UP LATCH MODULAR PCB JACK 8P PROFILE=14.50MM (UNSHIELDED)

## SPECIFICATIONS

**Insulation Resistance:** 500MΩ Min.  
**Contact Resistance:** 20mΩ Max.  
**Rating Current:** 1.5A Max.  
**Rating Voltage:** 120V AC.  
**Dielectric Voltage:** 1000 Vrms 60 Sec. Min.  
**Temperature Range:** -40°C / +85°C  
**Durability:** 500 Mating cycles Min.

## MATERIALS

**Housing:** PBT Glass Filled (UL 94V-0)  
**Soldering Temperature:** 235°C  
**Color:** Black & Gray  
**Spring Wire:** Phosphor Bronze  
 Gold plating Over Nickel  
**All materials must be RoHS compliant.**



Recommended P.C. Board Layout (TOP VIEW)

## ORDERING INFORMATION:

P/N M J 6 T -  $\frac{88}{1} \times \frac{23}{3} \times \frac{06}{4}$

1. NO. OF POSITIONS & CONTACTS:  
"88" 8P8C
2. CONTACT FINISH:  
"A" 6 MICROINCH GOLD  
"B" 15 MICROINCH GOLD  
"C" 30 MICROINCH GOLD  
"D" 50 MICROINCH GOLD
3. HOUSING COLOR:  
"A" GRAY  
"B" BLACK
4. NO. OF PORTS:  
06

# SIDE ENTRY 2-PORT UP LATCH MODULAR PCB JACK 6P PROFILE=14.50MM (UNSHIELDED)

## SPECIFICATIONS

Insulation Resistance: 500MΩ Min.

Contact Resistance: 20mΩ Max.

Rating Current: 1.5A Max.

Rating Voltage: 120V AC.

Dielectric Voltage: 1000 Vrms 60 Sec. Min.

Temperature Range: -40°C / +85°C

Durability: 500 Mating cycles Min.

## MATERIALS

Housing: PBT Glass Filled (UL 94V-0)

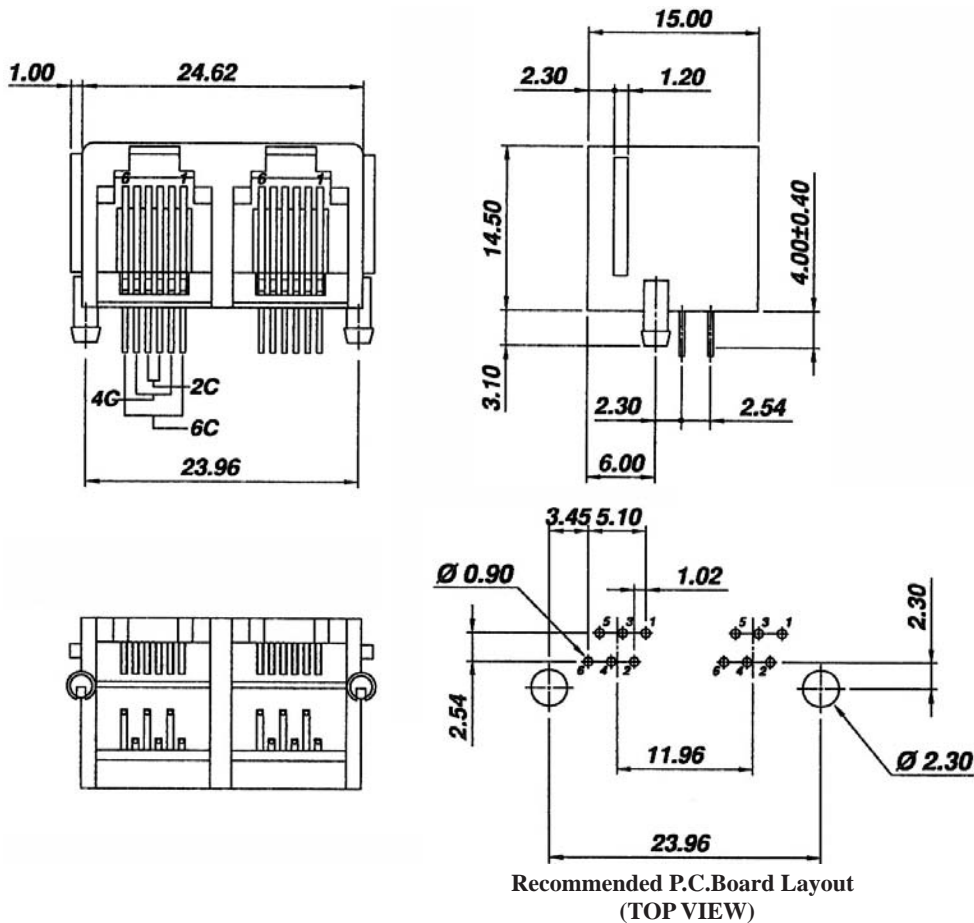
Soldering Temperature: 235°C

Color: Black & Gray

Spring Wire: Phosphor Bronze

Gold plating Over Nickel

All materials must be RoHS compliant.



## ORDERING INFORMATION:

P/N MJ29 -  $\frac{xx}{1} \frac{xx}{2} \frac{xx}{3} \frac{02}{4}$

### 1. NO. OF POSITIONS & CONTACTS:

"66" 6P6C

"64" 6P4C

### 2. CONTACT FINISH:

"A" 6 MICROINCH GOLD

"B" 15 MICROINCH GOLD

"C" 30 MICROINCH GOLD

"D" 50 MICROINCH GOLD

### 3. HOUSING COLOR:

"A" GRAY

"B" BLACK

### 4. NO. OF PORTS:

02

NOTE: P/N MJ29HT-xxxx02 for High Temp. Version

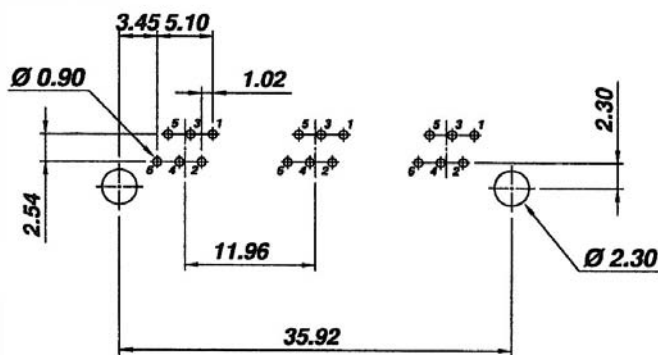
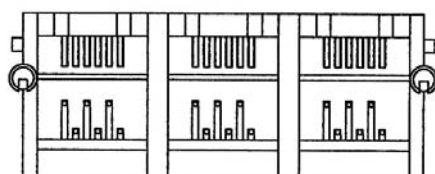
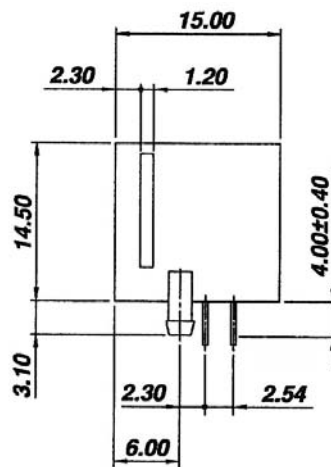
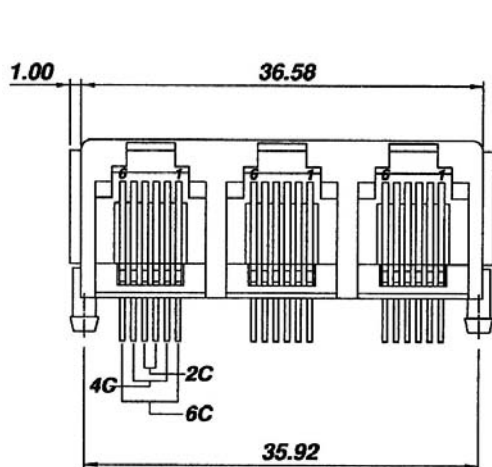
# SIDE ENTRY 3-PORT UP LATCH MODULAR PCB JACK 6P PROFILE=14.50MM (UNSHIELDED)

## SPECIFICATIONS

**Insulation Resistance:** 500MΩ Min.  
**Contact Resistance:** 20mΩ Max.  
**Rating Current:** 1.5A Max.  
**Rating Voltage:** 120V AC.  
**Dielectric Voltage:** 1000 Vrms 60 Sec. Min.  
**Temperature Range:** -40°C / +85°C  
**Durability:** 500 Mating cycles Min.

## MATERIALS

**Housing:** PBT Glass Filled (UL 94V-0)  
**Soldering Temperature:** 235°C  
**Color:** Black & Gray  
**Spring Wire:** Phosphor Bronze  
 Gold plating Over Nickel  
**All materials must be RoHS compliant.**



Recommended P.C.Board Layout (TOP VIEW)

## ORDERING INFORMATION:

P/N MJ 2 9 -  $\frac{x}{1} \frac{x}{2} \frac{x}{3} \frac{x}{4} 0.3$

### 1. NO. OF POSITIONS & CONTACTS:

"66" 6P6C  
"64" 6P4C

### 2. CONTACT FINISH:

"A" 6 MICROINCH GOLD  
"B" 15 MICROINCH GOLD  
"C" 30 MICROINCH GOLD  
"D" 50 MICROINCH GOLD

### 3. HOUSING COLOR:

"A" GRAY  
"B" BLACK

### 4. NO. OF PORTS:

03

NOTE: P/N MJ29HT-xxxx03 for High Temp. Version

# SIDE ENTRY 4-PORT UP LATCH MODULAR PCB JACK 6P PROFILE=14.50MM (UNSHIELDED)

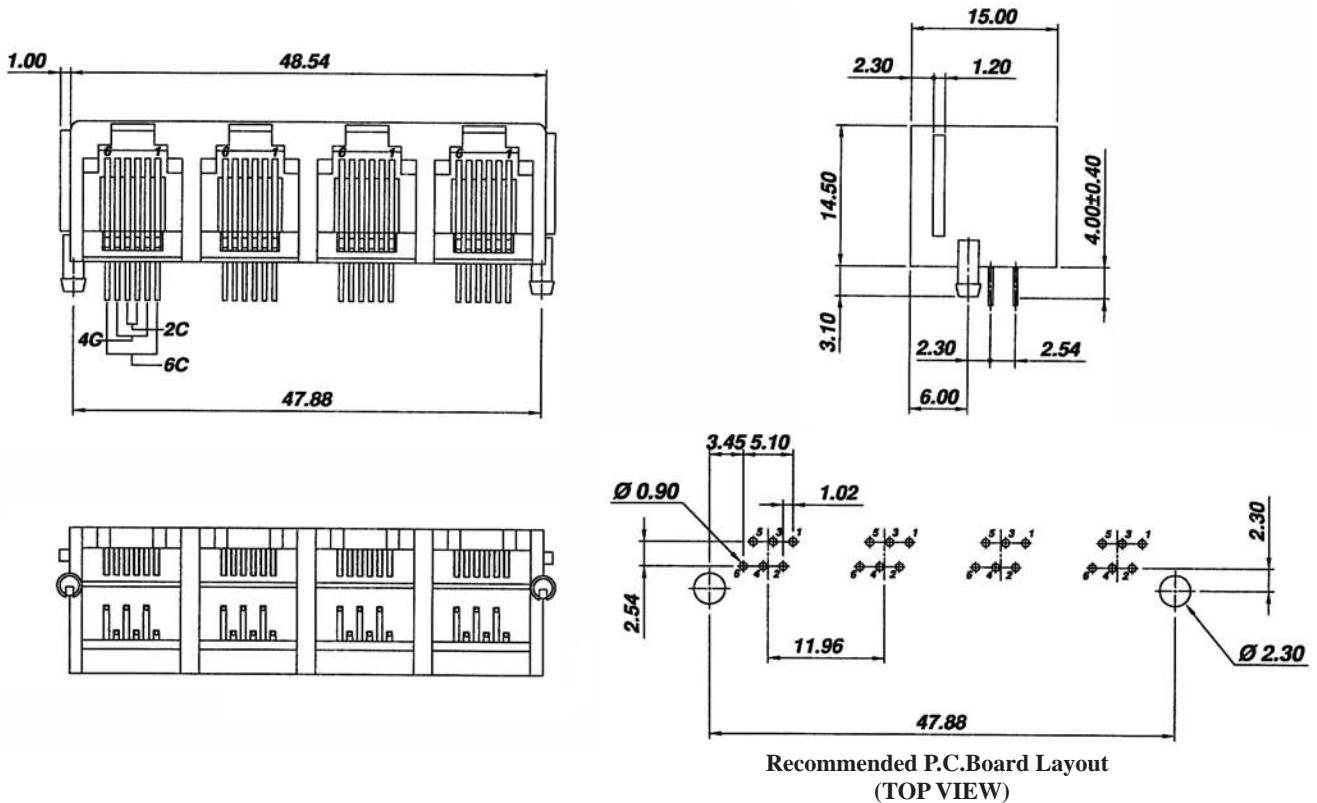
## SPECIFICATIONS

Insulation Resistance: 500MΩ Min.  
 Contact Resistance: 20mΩ Max.  
 Rating Current: 1.5A Max.  
 Rating Voltage: 120V AC.  
 Dielectric Voltage: 1000 Vrms 60 Sec. Min.  
 Temperature Range: -40°C / +85°C  
 Durability: 500 Mating cycles Min.

## MATERIALS

Housing: PBT Glass Filled (UL 94V-0)  
 Soldering Temperature: 235°C  
 Color: Black & Gray  
 Spring Wire: Phosphor Bronze  
 Gold plating Over Nickel

All materials must be RoHS compliant.



## ORDERING INFORMATION:

P/N MJ29 -  $\frac{x}{1} \frac{x}{2} \frac{x}{3} \frac{x}{4} 04$

### 1. NO. OF POSITIONS & CONTACTS:

"66" 6P6C  
 "64" 6P4C

### 2. CONTACT FINISH:

"A" 6 MICROINCH GOLD  
 "B" 15 MICROINCH GOLD  
 "C" 30 MICROINCH GOLD  
 "D" 50 MICROINCH GOLD

### 3. HOUSING COLOR:

"A" GRAY  
 "B" BLACK

### 4. NO. OF PORTS:

04

NOTE: P/N MJ29HT-xxxx04 for High Temp. Version

# SIDE ENTRY 6-PORT UP LATCH MODULAR PCB JACK 6P PROFILE=14.50MM (UNSHIELDED)

## SPECIFICATIONS

Insulation Resistance: 500MΩ Min.

Contact Resistance: 20mΩ Max.

Rating Current: 1.5A Max.

Rating Voltage: 120V AC.

Dielectric Voltage: 1000 Vrms 60 Sec. Min.

Temperature Range: -40°C / +85°C

Durability: 500 Mating cycles Min.

## MATERIALS

Housing: PBT Glass Filled (UL 94V-0)

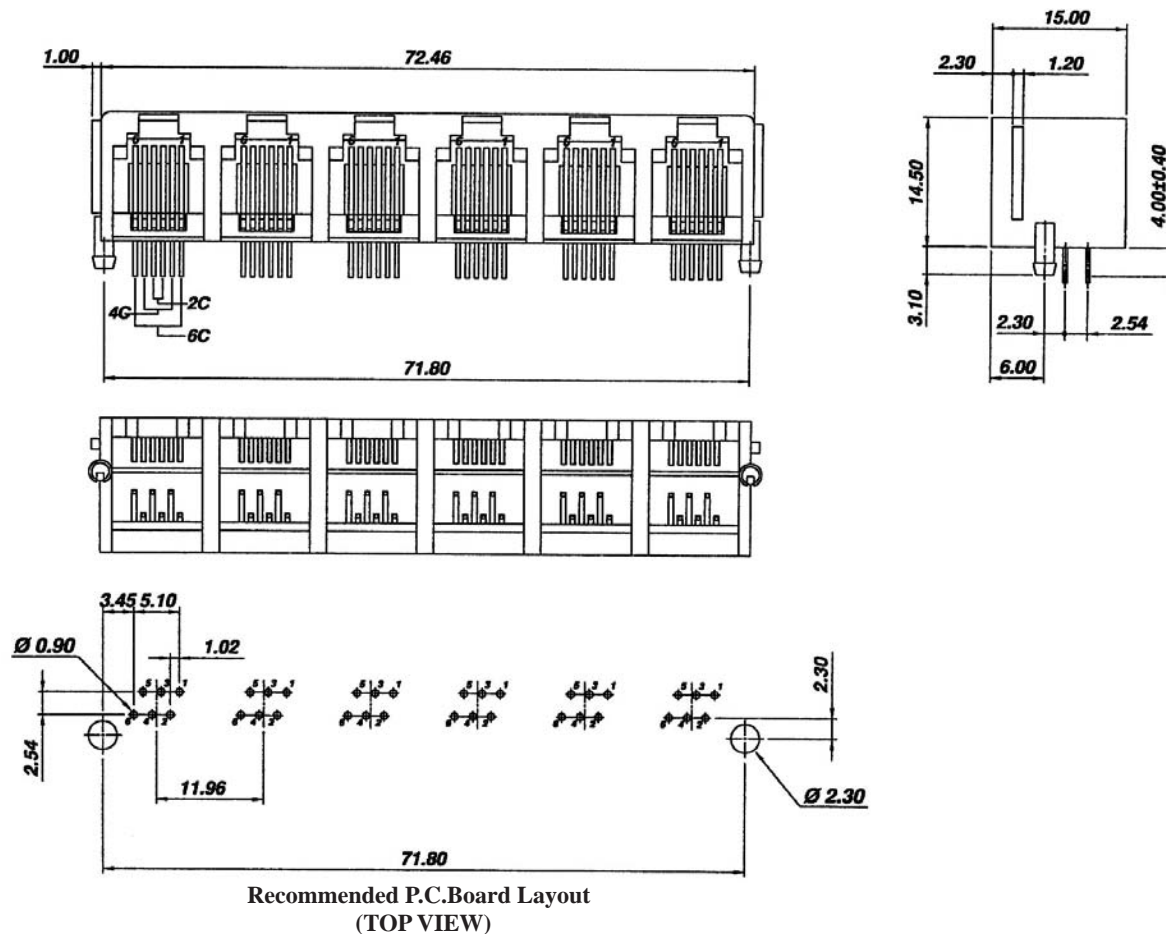
Soldering Temperature: 235°C

Color: Black & Gray

Spring Wire: Phosphor Bronze

Gold plating Over Nickel

All materials must be RoHS compliant.



## ORDERING INFORMATION:

P/N MJ29 -  $\frac{x}{1} \frac{x}{2} \frac{x}{3} \frac{x}{4} \frac{06}{4}$

### 1. NO. OF POSITIONS & CONTACTS:

"66" 6P6C

"64" 6P4C

### 2. CONTACT FINISH:

"A" 6 MICROINCH GOLD

"B" 15 MICROINCH GOLD

"C" 30 MICROINCH GOLD

"D" 50 MICROINCH GOLD

### 3. HOUSING COLOR:

"A" GRAY

"B" BLACK

### 4. NO. OF PORTS:

06

NOTE: P/N MJ29HT-xxxx06 for High Temp. Version

# SIDE ENTRY 8-PORT UP LATCH MODULAR PCB JACK 6P PROFILE=14.50MM (UNSHIELDED)

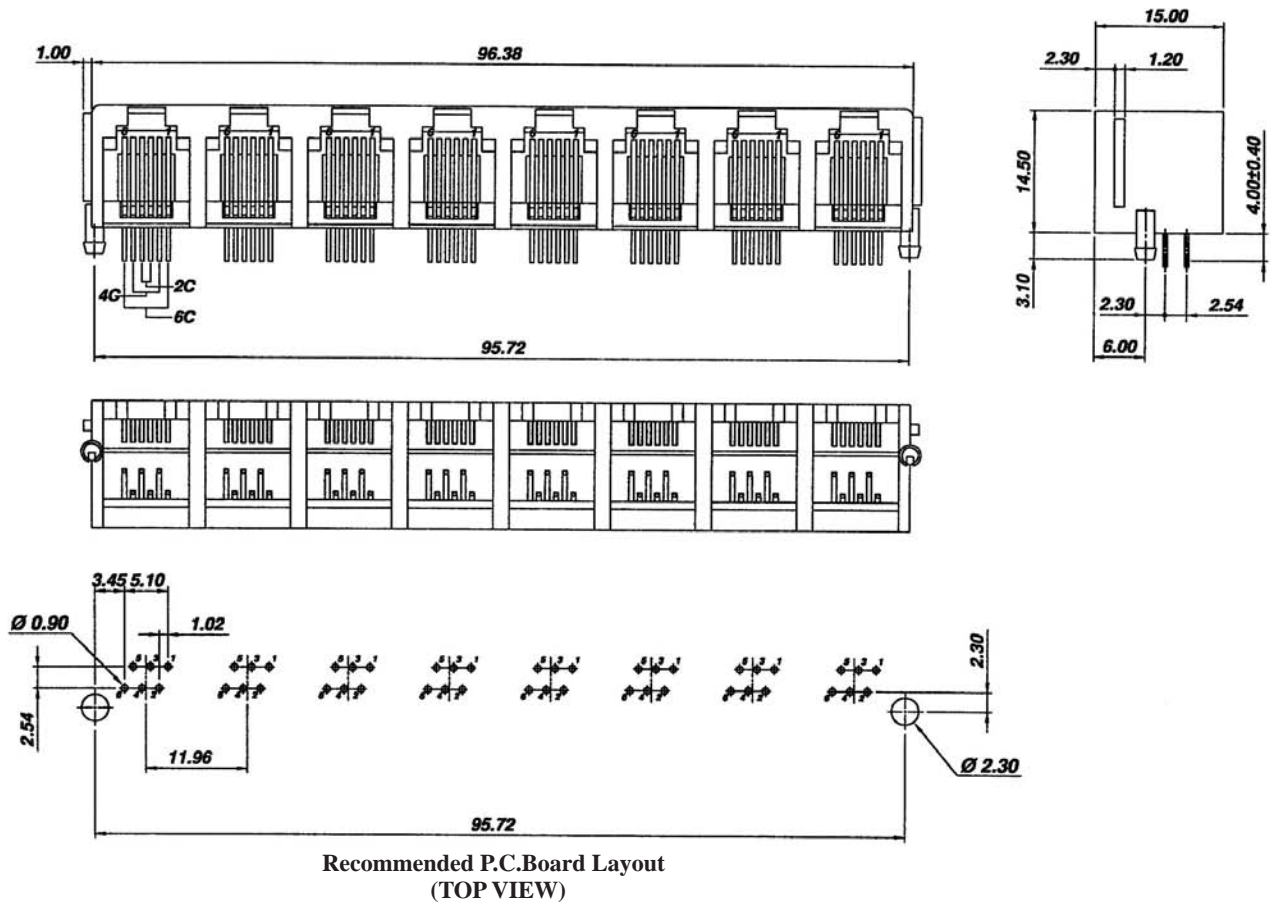
## SPECIFICATIONS

Insulation Resistance: 500MΩ Min.  
 Contact Resistance: 20mΩ Max.  
 Rating Current: 1.5A Max.  
 Rating Voltage: 120V AC.  
 Dielectric Voltage: 1000 Vrms 60 Sec. Min.  
 Temperature Range: -40°C / +85°C  
 Durability: 500 Mating cycles Min.

## MATERIALS

Housing: PBT Glass Filled (UL 94V-0)  
 Soldering Temperature: 235°C  
 Color: Black & Gray  
 Spring Wire: Phosphor Bronze  
 Gold plating Over Nickel

All materials must be RoHS compliant.



## ORDERING INFORMATION:

P/N MJ29 -  $\frac{x}{1} \frac{x}{2} \frac{x}{3} \frac{x}{4} \frac{08}{4}$

### 1. NO. OF POSITIONS & CONTACTS:

"66" 6P6C  
 "64" 6P4C

### 2. CONTACT FINISH:

"A" 6 MICROINCH GOLD  
 "B" 15 MICROINCH GOLD  
 "C" 30 MICROINCH GOLD  
 "D" 50 MICROINCH GOLD

### 3. HOUSING COLOR:

"A" GRAY  
 "B" BLACK

### 4. NO. OF PORTS:

08

NOTE: P/N MJ29HT-xxxx08 for High Temp. Version



## SIDE ENTRY 2-PORT UP LATCH MODULAR PCB JACK 8P+10P PROFILE=14.50MM (UNSHIELDED)

### SPECIFICATIONS

Insulation Resistance: 500MΩ Min.

Contact Resistance: 20mΩ Max.

Rating Current: 1.5A Max.

Rating Voltage: 120V AC.

Dielectric Voltage: 1000 Vrms 60 Sec. Min.

Temperature Range: -40°C / +85°C

Durability: 500 Mating cycles Min.

### MATERIALS

Housing: PBT Glass Filled (UL 94V-0)

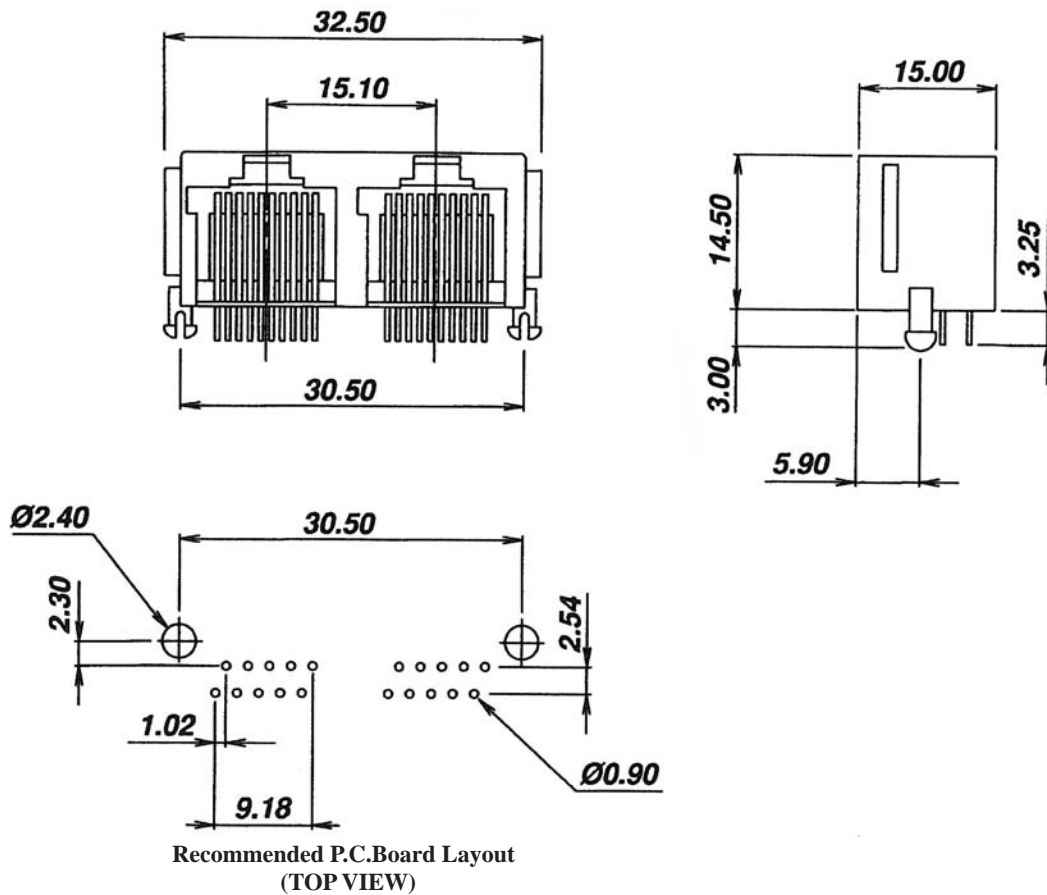
Soldering Temperature: 235°C

Color: Black

Spring Wire: Phosphor Bronze

Gold plating Over Nickel

All materials must be RoHS compliant.



### ORDERING INFORMATION:

P/N MJ29 -  $\frac{x}{1} \frac{x}{2} \frac{x}{3} B \frac{0}{3} 2$

#### 1. NO. OF POSITIONS & CONTACTS:

"00" 10P10C

"88" 8P8C (= 10P8C)

#### 2. CONTACT FINISH:

"A" 6 MICROINCH GOLD

"B" 15 MICROINCH GOLD

"C" 30 MICROINCH GOLD

"D" 50 MICROINCH GOLD

#### 3. NO. OF PORTS:

02

NOTE: P/N MJ29HT-xxxB02 for High Temp. Version

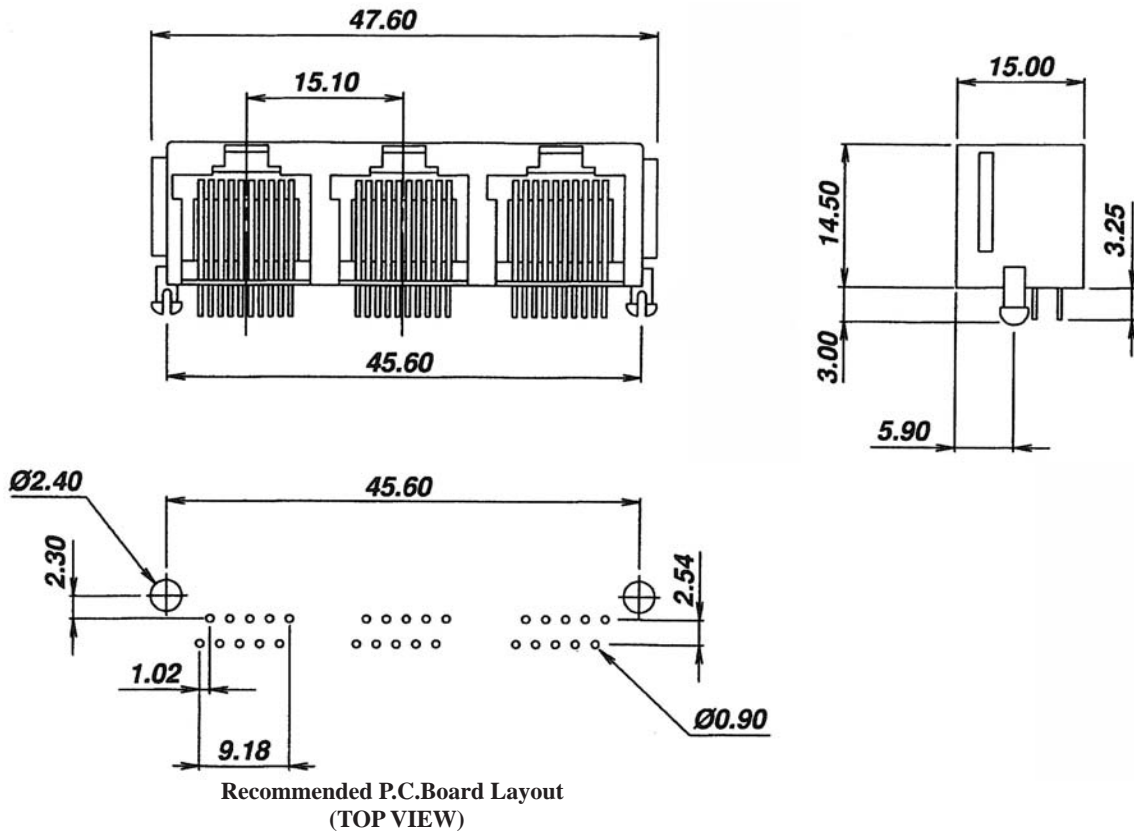
# SIDE ENTRY 3-PORT UP LATCH MODULAR PCB JACK 8P+10P PROFILE=14.50MM (UNSHIELDED)

## SPECIFICATIONS

**Insulation Resistance:** 500MΩ Min.  
**Contact Resistance:** 20mΩ Max.  
**Rating Current:** 1.5A Max.  
**Rating Voltage:** 120V AC.  
**Dielectric Voltage:** 1000 Vrms 60 Sec. Min.  
**Temperature Range:** -40°C / +85°C  
**Durability:** 500 Mating cycles Min.

## MATERIALS

**Housing:** PBT Glass Filled (UL 94V-0)  
**Soldering Temperature:** 235°C  
**Color:** Black  
**Spring Wire:** Phosphor Bronze  
 Gold plating Over Nickel  
**All materials must be RoHS compliant.**



## ORDERING INFORMATION:

P/N MJ 29 -  $\frac{x}{1} \frac{x}{2} \frac{x}{3}$  B  $\frac{0}{3}$

- NO. OF POSITIONS & CONTACTS:  
 "00" 10P10C  
 "88" 8P8C (= 10P8C)
- CONTACT FINISH:  
 "A" 6 MICROINCH GOLD  
 "B" 15 MICROINCH GOLD  
 "C" 30 MICROINCH GOLD  
 "D" 50 MICROINCH GOLD
- NO. OF PORTS:  
 03

NOTE: P/N MJ29HT-xxxB03 for High Temp. Version

# SIDE ENTRY 4-PORT UP LATCH MODULAR PCB JACK 8P+10P PROFILE=14.50MM (UNSHIELDED)

## SPECIFICATIONS

Insulation Resistance: 500MΩ Min.

Contact Resistance: 20mΩ Max.

Rating Current: 1.5A Max.

Rating Voltage: 120V AC.

Dielectric Voltage: 1000 Vrms 60 Sec. Min.

Temperature Range: -40°C / +85°C

Durability: 500 Mating cycles Min.

## MATERIALS

Housing: PBT Glass Filled (UL 94V-0)

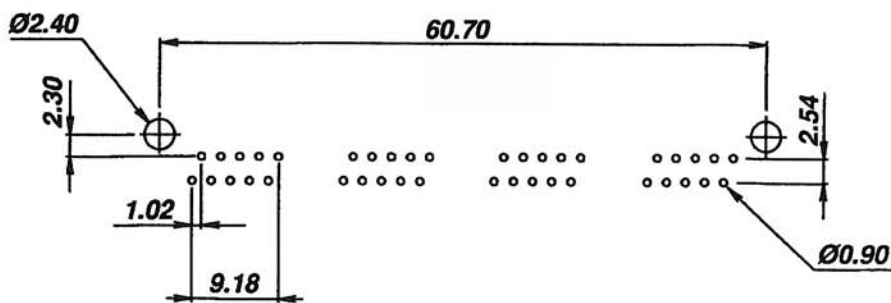
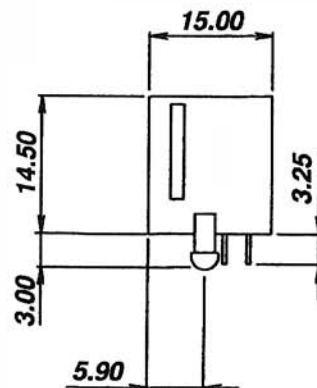
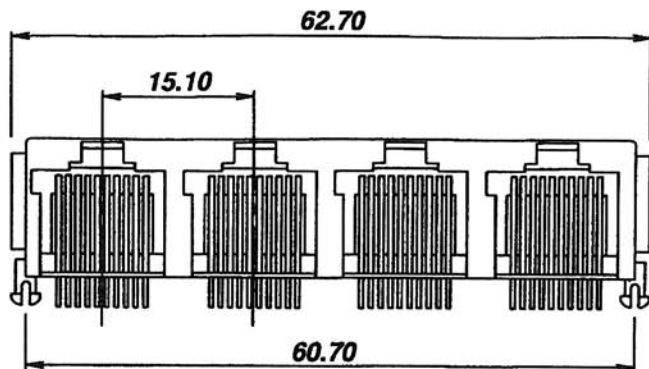
Soldering Temperature: 235°C

Color: Black

Spring Wire: Phosphor Bronze

Gold plating Over Nickel

All materials must be RoHS compliant.



Recommended P.C. Board Layout  
(TOP VIEW)

## ORDERING INFORMATION:

P/N MJ29 -  $\frac{xx}{1} \frac{xx}{2} \frac{x}{3}$  B  $\frac{0}{4}$

### 1. NO. OF POSITIONS & CONTACTS:

"00" 10P10C

"88" 8P8C (= 10P8C)

### 2. CONTACT FINISH:

"A" 6 MICROINCH GOLD

"B" 15 MICROINCH GOLD

"C" 30 MICROINCH GOLD

"D" 50 MICROINCH GOLD

### 3. NO. OF PORTS:

04

NOTE: P/N MJ29HT-xxxB04 for High Temp. Version

## SIDE ENTRY 6-PORT UP LATCH MODULAR PCB JACK 8P+10P PROFILE=14.50MM (UNSHIELDED)

### SPECIFICATIONS

Insulation Resistance: 500MΩ Min.

Contact Resistance: 20mΩ Max.

Rating Current: 1.5A Max.

Rating Voltage: 120V AC.

Dielectric Voltage: 1000 Vrms 60 Sec. Min.

Temperature Range: -40°C / +85°C

Durability: 500 Mating cycles Min.

### MATERIALS

Housing: PBT Glass Filled (UL 94V-0)

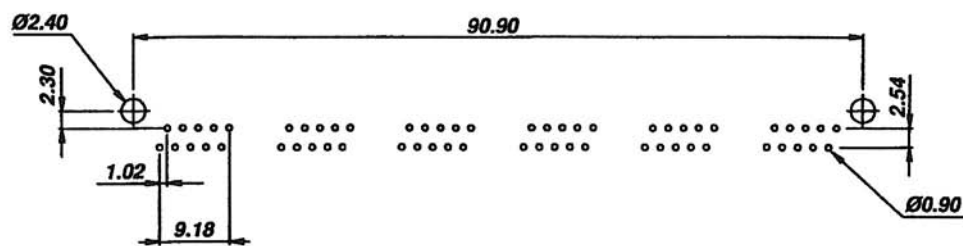
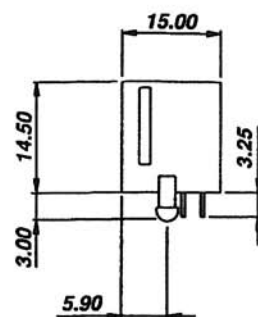
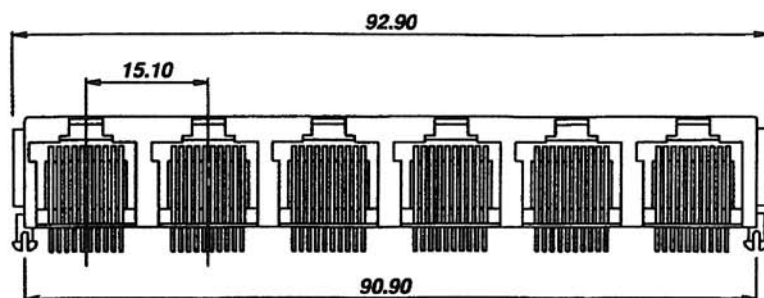
Soldering Temperature: 235°C

Color: Black

Spring Wire: Phosphor Bronze

Gold plating Over Nickel

All materials must be RoHS compliant.



Recommended P.C. Board Layout  
(TOP VIEW)

### ORDERING INFORMATION:

P/N MJ29 -  $\frac{x}{1} \frac{x}{2} \frac{x}{3}$  B 06

#### 1. NO. OF POSITIONS & CONTACTS:

"00" 10P10C

"88" 8P8C (= 10P8C)

#### 2. CONTACT FINISH:

"A" 6 MICROINCH GOLD

"B" 15 MICROINCH GOLD

"C" 30 MICROINCH GOLD

"D" 50 MICROINCH GOLD

#### 3. NO. OF PORTS:

06

NOTE: P/N MJ29HT-xxxB06 for High Temp. Version

# SIDE ENTRY 8-PORT UP LATCH MODULAR PCB JACK 8P+10P PROFILE=14.50MM (UNSHIELDED)

## SPECIFICATIONS

Insulation Resistance: 500MΩ Min.

Contact Resistance: 20mΩ Max.

Rating Current: 1.5A Max.

Rating Voltage: 120V AC.

Dielectric Voltage: 1000 Vrms 60 Sec. Min.

Temperature Range: -40°C / +85°C

Durability: 500 Mating cycles Min.

## MATERIALS

Housing: PBT Glass Filled (UL 94V-0)

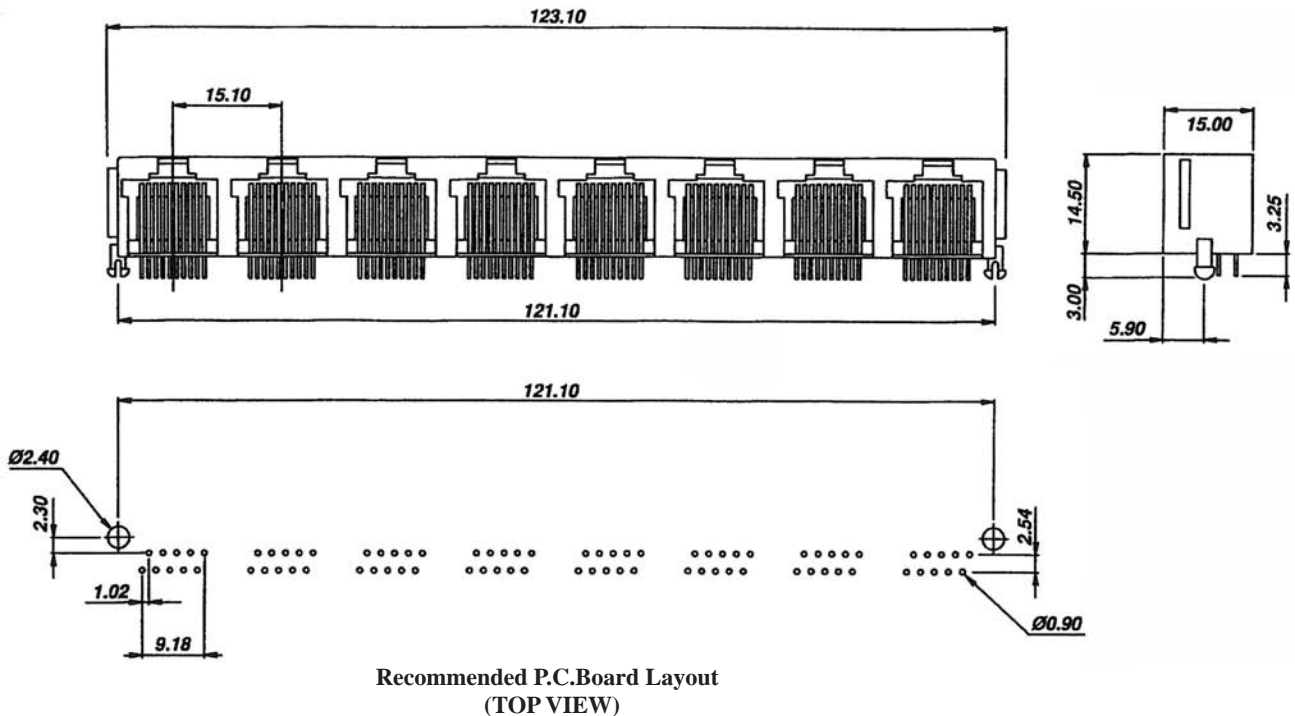
Soldering Temperature: 235°C

Color: Black

Spring Wire: Phosphor Bronze

Gold plating Over Nickel

All materials must be RoHS compliant.



Recommended P.C.Board Layout  
(TOP VIEW)

## ORDERING INFORMATION:

P/N MJ29 -  $\frac{xx}{1} \frac{xx}{2} \frac{x}{3}$  B08

### 1. NO. OF POSITIONS & CONTACTS:

"00" 10P10C

"88" 8P8C (= 10P8C)

### 2. CONTACT FINISH:

"A" 6 MICROINCH GOLD

"B" 15 MICROINCH GOLD

"C" 30 MICROINCH GOLD

"D" 50 MICROINCH GOLD

### 3. NO. OF PORTS:

08

NOTE: P/N MJ29HT-xxxB08 for High Temp. Version