

## SIDE ENTRY MODULAR PCB JACK DEC TYPE 6P PROFILE=15.20MM (UNSHIELDED)

### SPECIFICATIONS

**Insulation Resistance:** 500MΩ Min.

**Contact Resistance:** 20mΩ Max.

**Rating Current:** 1.5A Max.

**Rating Voltage:** 120V AC.

**Dielectric Voltage:** 1000 Vrms 60 Sec. Min.

**Temperature Range:** -40°C / +85°C

**Durability:** 500 Mating cycles Min.

### MATERIALS

**Housing:** PBT Glass Filled (UL 94V-0)

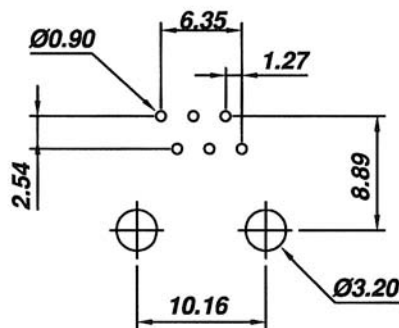
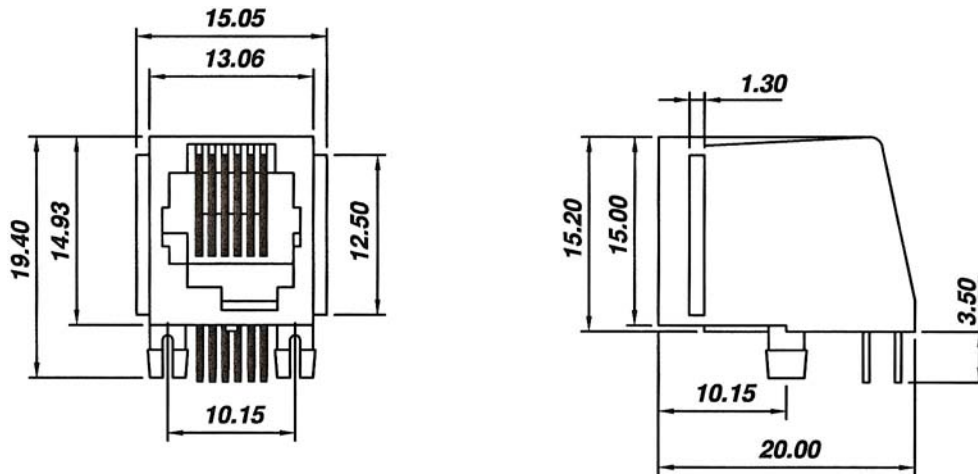
**Soldering Temperature:** 235°C

**Color:** Black

**Spring Wire:** Phosphor Bronze

Gold plating Over Nickel

All materials must be RoHS compliant.



Recommended P.C.Board Layout  
(TOP VIEW)

### ORDERING INFORMATION:

P/N M J L D -  $\frac{x}{1} \frac{x}{2} x$  B

#### 1. NO. OF POSITIONS & CONTACTS:

"66" 6P6C

"64" 6P4C

#### 2. CONTACT FINISH:

"A" 6 MICROINCH GOLD

"B" 15 MICROINCH GOLD

"C" 30 MICROINCH GOLD

"D" 50 MICROINCH GOLD

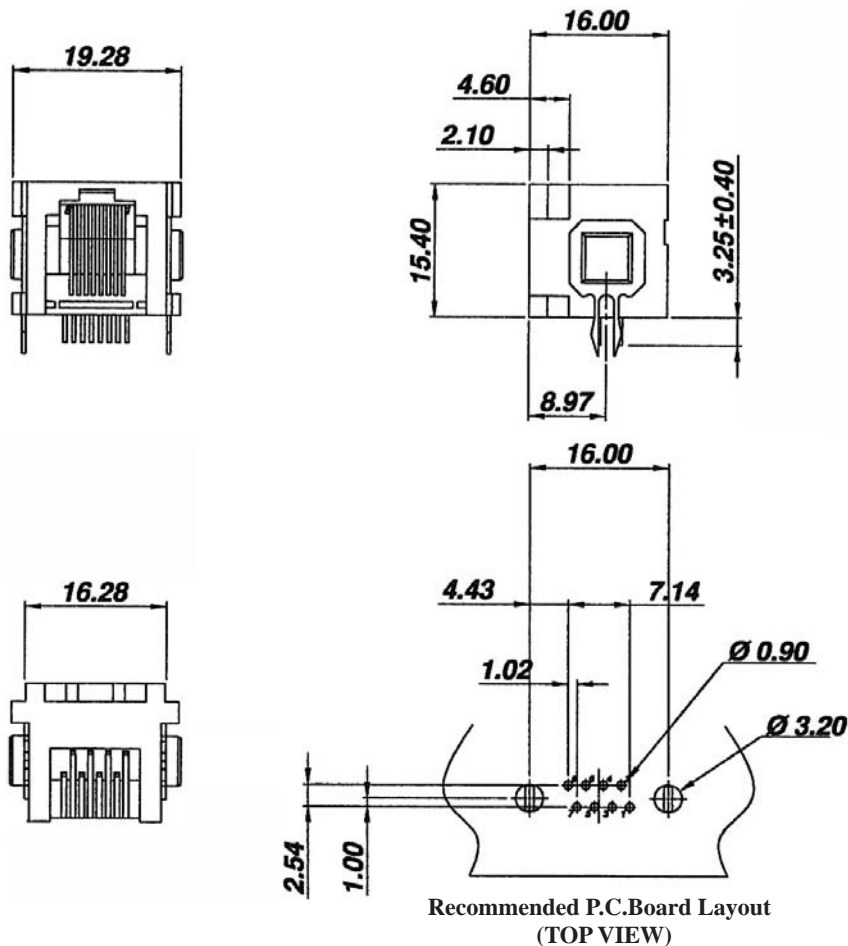
# SIDE ENTRY 1-PORT UP LATCH MODULAR PCB JACK WITH METAL PEGS 8P PROFILE=15.40MM (UNSHIELDED)

## SPECIFICATIONS

**Insulation Resistance:** 500MΩ Min.  
**Contact Resistance:** 20mΩ Max.  
**Rating Current:** 1.5A Max.  
**Rating Voltage:** 120V AC.  
**Dielectric Voltage:** 1000 Vrms 60 Sec. Min.  
**Temperature Range:** -40°C / +85°C  
**Durability:** 500 Mating cycles Min.

## MATERIALS

**Housing:** PBT Glass Filled (UL 94V-0)  
**Soldering Temperature:** 235°C  
**Color:** Black & Gray  
**Spring Wire:** Phosphor Bronze  
 Gold plating Over Nickel  
**All materials must be RoHS compliant.**



## ORDERING INFORMATION:

P/N MJ6L -  $\frac{88}{1} \times \frac{01}{234}$

- NO. OF POSITIONS & CONTACTS:  
"88" 8P8C
- CONTACT FINISH:  
"A" 6 MICROINCH GOLD  
"B" 15 MICROINCH GOLD  
"C" 30 MICROINCH GOLD  
"D" 50 MICROINCH GOLD
- HOUSING COLOR:  
"A" GRAY  
"B" BLACK
- NO. OF PORTS:  
01

NOTE: P/N MJ6LHT-88xx01 for High Temp. Version

# SIDE ENTRY 2-PORT UP LATCH MODULAR PCB JACK WITH METAL PEG 6P PROFILE=15.40MM (UNSHIELDED)

## SPECIFICATIONS

**Insulation Resistance:** 500MΩ Min.

**Contact Resistance:** 20mΩ Max.

**Rating Current:** 1.5A Max.

**Rating Voltage:** 120V AC.

**Dielectric Voltage:** 1000 Vrms 60 Sec. Min.

**Temperature Range:** -40°C / +85°C

**Durability:** 500 Mating cycles Min.

## MATERIALS

**Housing:** PBT Glass Filled (UL 94V-0)

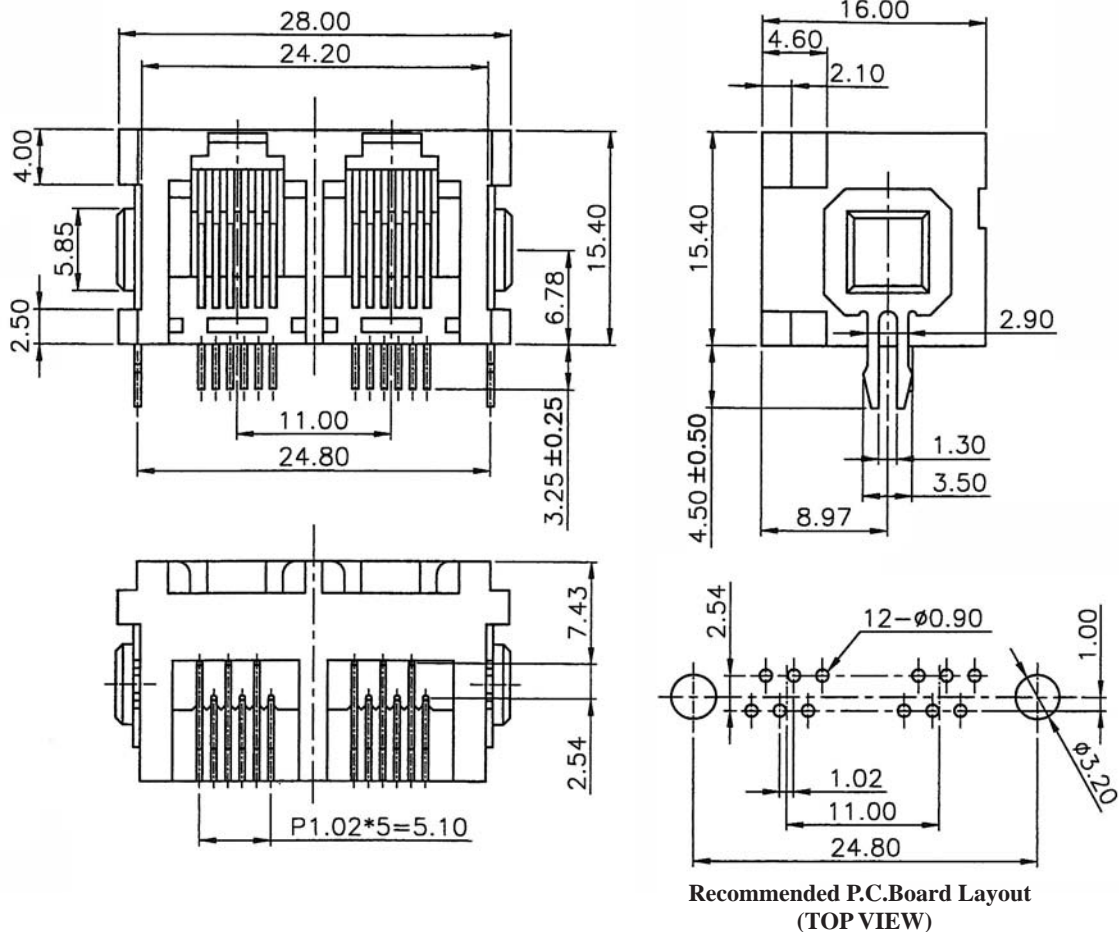
**Soldering Temperature:** 235°C

**Color:** Black & Gray

**Spring Wire:** Phosphor Bronze

Gold plating Over Nickel

**All materials must be RoHS compliant.**



## ORDERING INFORMATION:

**P/N MJ78 -  $\frac{XX}{1} \frac{XX}{2} \frac{XX}{3} \frac{02}{4}$**

### 1. NO. OF POSITIONS & CONTACTS:

"66" 6P6C

"64" 6P4C

### 2. CONTACT FINISH:

"A" 6 MICROINCH GOLD

"B" 15 MICROINCH GOLD

"C" 30 MICROINCH GOLD

"D" 50 MICROINCH GOLD

"E" GOLD FLASH

### 3. HOUSING COLOR:

"A" GRAY (STANDARD)

"B" BLACK

### 4. NO. OF PORTS:

02

# SIDE ENTRY 2-PORT UP LATCH MODULAR PCB JACK WITH METAL PEGS 8P PROFILE=15.40MM (UNSHIELDED)

## SPECIFICATIONS

**Insulation Resistance:** 500MΩ Min.

**Contact Resistance:** 20mΩ Max.

**Rating Current:** 1.5A Max.

**Rating Voltage:** 120V AC.

**Dielectric Voltage:** 1000 Vrms 60 Sec. Min.

**Temperature Range:** -40°C / +85°C

**Durability:** 500 Mating cycles Min.

## MATERIALS

**Housing:** PBT Glass Filled (UL 94V-0)

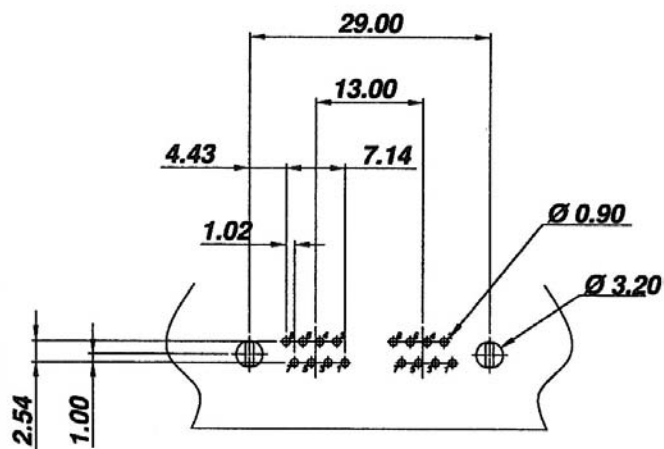
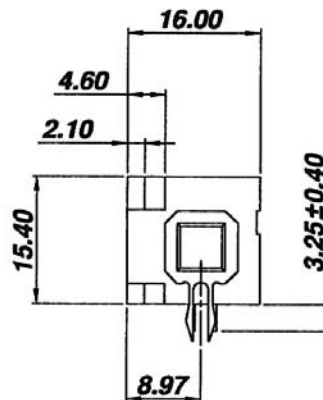
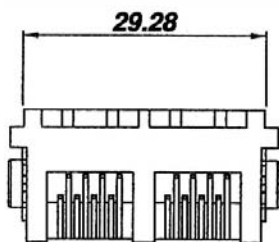
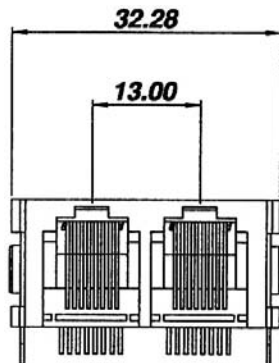
**Soldering Temperature:** 235°C

**Color:** Black & Gray

**Spring Wire:** Phosphor Bronze

Gold plating Over Nickel

All materials must be RoHS compliant.



Recommended P.C.Board Layout  
(TOP VIEW)

## ORDERING INFORMATION:

P/N MJ6L -  $\frac{88}{1} \times \frac{23}{3} \times \frac{02}{4}$

1. NO. OF POSITIONS & CONTACTS:

"88" 8P8C

2. CONTACT FINISH:

"A" 6 MICROINCH GOLD

"B" 15 MICROINCH GOLD

"C" 30 MICROINCH GOLD

"D" 50 MICROINCH GOLD

3. HOUSING COLOR:

"A" GRAY

"B" BLACK

4. NO. OF PORTS:

02

NOTE: P/N MJ6LHT-88xx02 for High Temp. Version

# SIDE ENTRY 3-PORT UP LATCH MODULAR PCB JACK WITH METAL PEGS 8P PROFILE=15.40MM (UNSHIELDED)

## SPECIFICATIONS

Insulation Resistance: 500MΩ Min.

Contact Resistance: 20mΩ Max.

Rating Current: 1.5A Max.

Rating Voltage: 120V AC.

Dielectric Voltage: 1000 Vrms 60 Sec. Min.

Temperature Range: -40°C / +85°C

Durability: 500 Mating cycles Min.

## MATERIALS

Housing: PBT Glass Filled (UL 94V-0)

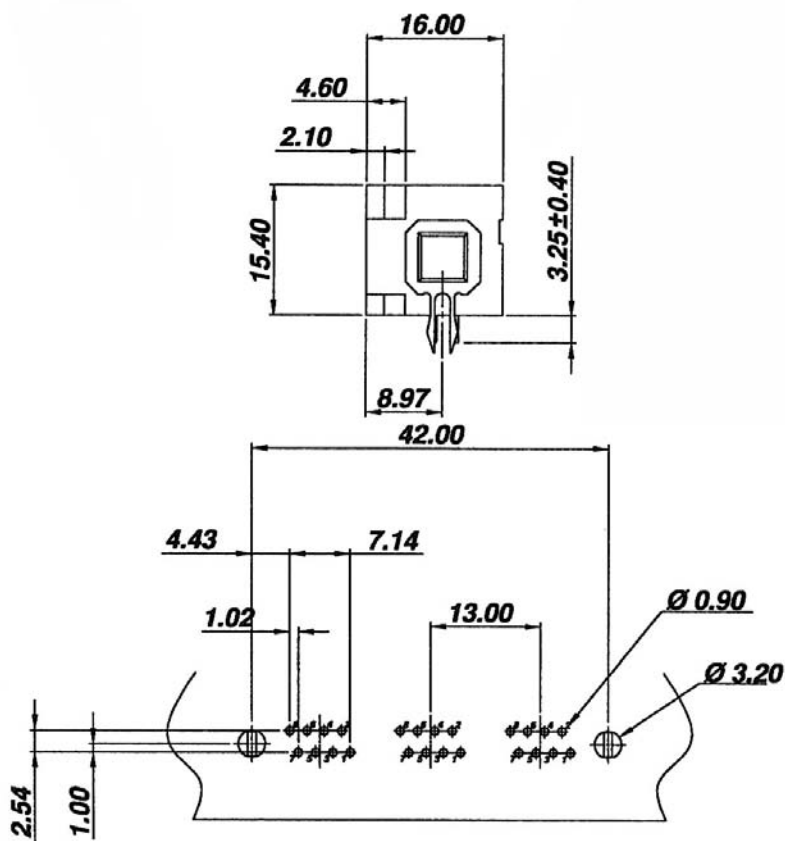
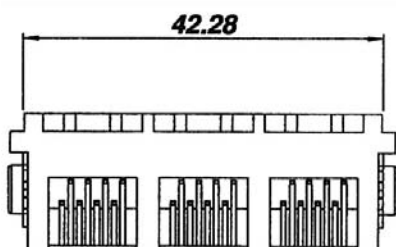
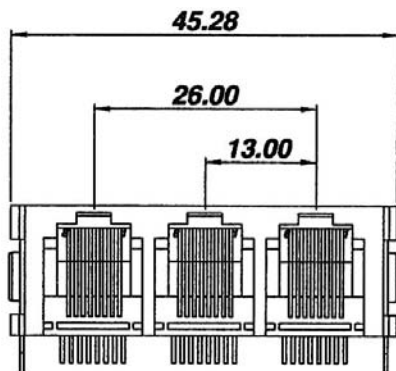
Soldering Temperature: 235°C

Color: Black & Gray

Spring Wire: Phosphor Bronze

Gold plating Over Nickel

All materials must be RoHS compliant.



Recommended P.C.Board Layout  
(TOP VIEW)

## ORDERING INFORMATION:

P/N MJ6L -  $\frac{88}{1} \times \frac{03}{234}$

1. NO. OF POSITIONS & CONTACTS:

"88" 8P8C

2. CONTACT FINISH:

"A" 6 MICROINCH GOLD

"B" 15 MICROINCH GOLD

"C" 30 MICROINCH GOLD

"D" 50 MICROINCH GOLD

3. HOUSING COLOR:

"A" GRAY

"B" BLACK

4. NO. OF PORTS:

03

NOTE: P/N MJ6LHT-88xx03 for High Temp. Version

# SIDE ENTRY 4-PORT UP LATCH MODULAR PCB JACK WITH METAL PEGS 8P PROFILE=15.40MM (UNSHIELDED)

## SPECIFICATIONS

**Insulation Resistance:** 500MΩ Min.

**Contact Resistance:** 20mΩ Max.

**Rating Current:** 1.5A Max.

**Rating Voltage:** 120V AC.

**Dielectric Voltage:** 1000 Vrms 60 Sec. Min.

**Temperature Range:** -40°C / +85°C

**Durability:** 500 Mating cycles Min.

## MATERIALS

**Housing:** PBT Glass Filled (UL 94V-0)

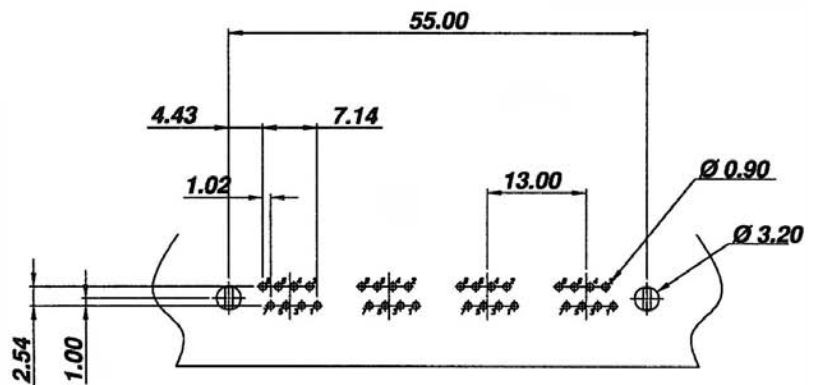
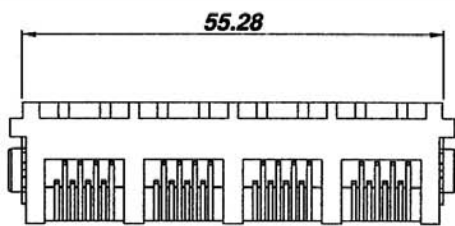
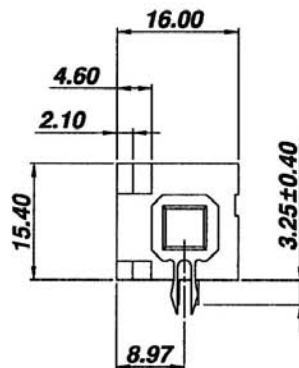
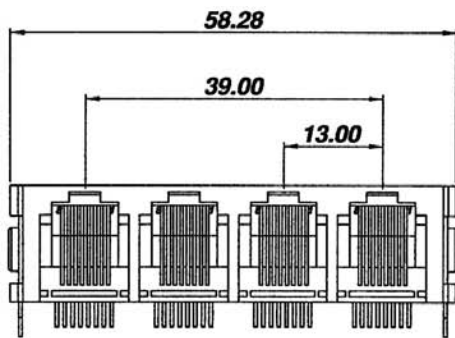
**Soldering Temperature:** 235°C

**Color:** Black & Gray

**Spring Wire:** Phosphor Bronze

Gold plating Over Nickel

All materials must be RoHS compliant.



Recommended P.C.Board Layout  
(TOP VIEW)

## ORDERING INFORMATION:

P/N MJ6L -  $\frac{88}{1} \times \frac{23}{3} \times \frac{04}{4}$

### 1. NO. OF POSITIONS & CONTACTS:

"88" 8P8C

### 2. CONTACT FINISH:

"A" 6 MICROINCH GOLD

"B" 15 MICROINCH GOLD

"C" 30 MICROINCH GOLD

"D" 50 MICROINCH GOLD

### 3. HOUSING COLOR:

"A" GRAY

"B" BLACK

### 4. NO. OF PORTS:

04

NOTE: P/N MJ6LHT-88xx04 for High Temp. Version



# SIDE ENTRY MODULAR PCB JACK 4P+6P+8P+10P PROFILE=15.70MM (UNSHIELDED)

## SPECIFICATIONS

**Insulation Resistance:** 500MΩ Min.

**Contact Resistance:** 20mΩ Max.

**Rating Current:** 1.5A Max.

**Rating Voltage:** 120V AC.

**Dielectric Voltage:** 1000 Vrms 60 Sec. Min.

**Temperature Range:** -40°C / +85°C

**Durability:** 500 Mating cycles Min.

## MATERIALS

**Housing:** PBT Glass Filled (UL 94V-0)

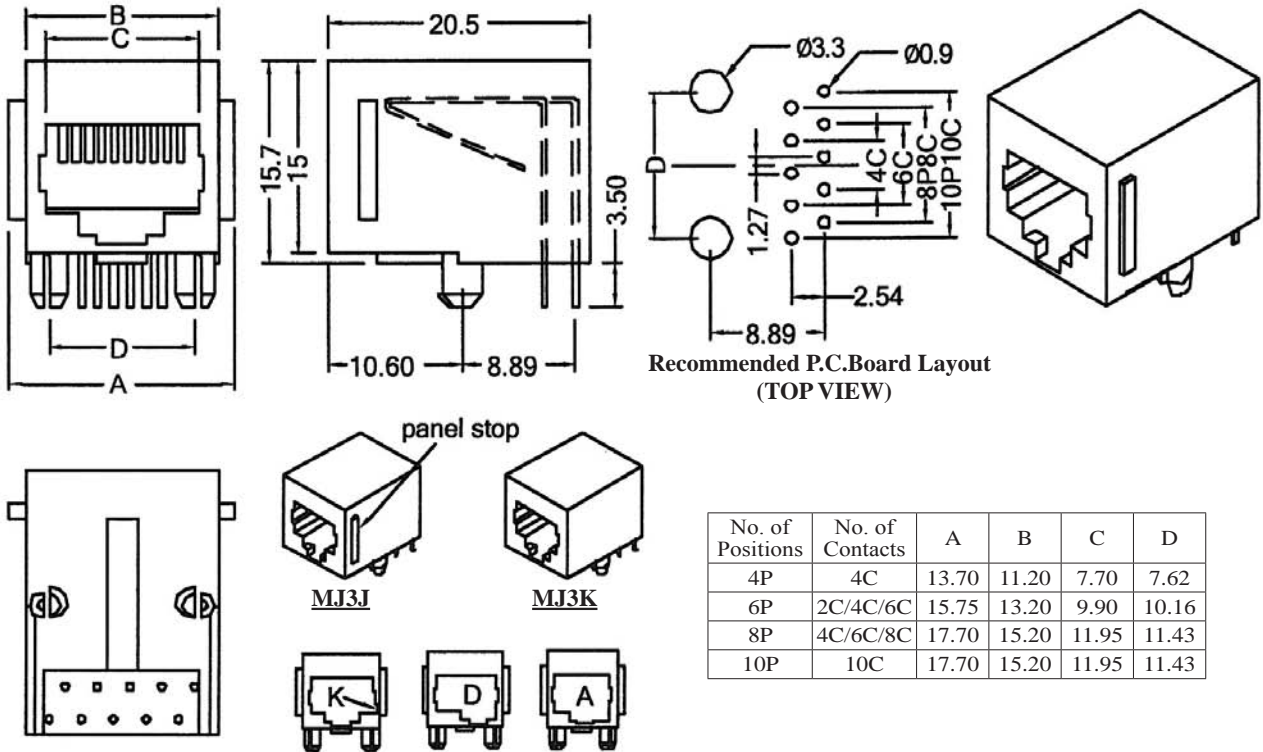
**Soldering Temperature:** 235°C

**Color:** Black

**Spring Wire:** Phosphor Bronze

Gold plating Over Nickel

All materials must be RoHS compliant.



## ORDERING INFORMATION:

P/N M J  $\frac{xx}{1}$  -  $\frac{xxx}{2}$   $\frac{x}{3}$  B  $\frac{x}{4}$

### 1. PANEL STOP OPTION:

"3J" WITH PANEL STOP

"3K" W/O PANEL STOP

### 2. NO. OF POSITIONS & CONTACTS:

"66" 6P6C

"64" 6P4C

"88" 8P8C

"00" 10P10C

"44" 4P4C

### 3. CONTACT FINISH:

"A" 6 MICROINCH GOLD

"B" 15 MICROINCH GOLD

"C" 30 MICROINCH GOLD

"D" 50 MICROINCH GOLD

### 4. KEYWAY & OFFSET OPTION:

" " W/O KEYWAY & W/O OFFSET

"D" OFFSET LATCH (6P ONLY)

"A" NORMAL & OFFSET LATCH (6P ONLY)

"K" WITH KEYWAY (8P & 10P ONLY)

## SIDE ENTRY MODULAR PCB JACK 4P PROFILE=16.00MM (UNSHIELDED)

### SPECIFICATIONS

Insulation Resistance: 500M $\Omega$  Min.

Contact Resistance: 20m $\Omega$  Max.

Rating Current: 1.5A Max.

Rating Voltage: 120V AC.

Dielectric Voltage: 1000 Vrms 60 Sec. Min.

Temperature Range: -40 $^{\circ}$ C / +85 $^{\circ}$ C

Durability: 500 Mating cycles Min.

### MATERIALS

Housing: PBT Glass Filled (UL 94V-0)

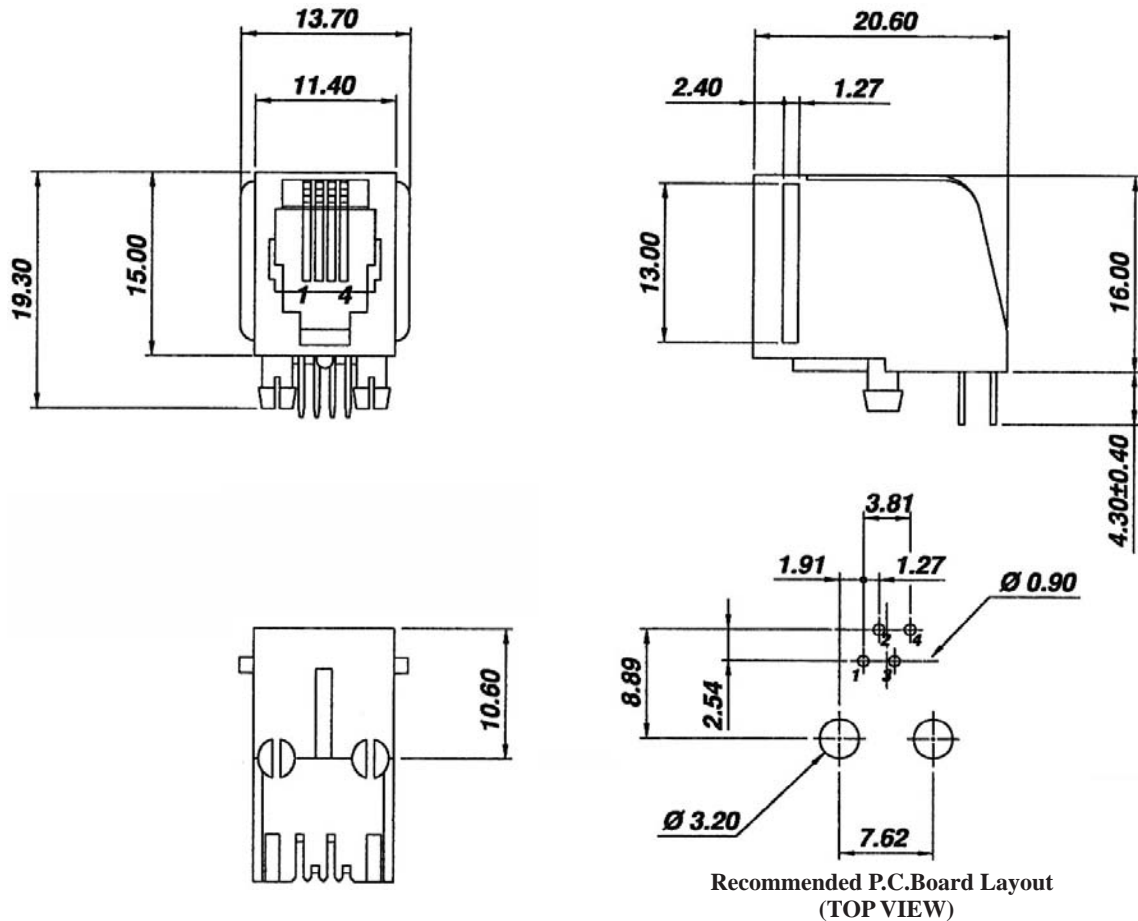
Soldering Temperature: 235 $^{\circ}$ C

Color: Black

Spring Wire: Phosphor Bronze

Gold plating Over Nickel

All materials must be RoHS compliant.



### ORDERING INFORMATION:

P/N M J L C -  $\frac{44}{1} \times \frac{B}{2}$

1. NO. OF POSITIONS & CONTACTS:

"44" 4P4C

2. CONTACT FINISH:

"A" 6 MICROINCH GOLD

"B" 15 MICROINCH GOLD

"C" 30 MICROINCH GOLD

"D" 50 MICROINCH GOLD

NOTE: P/N MJLCHT-44xB for High Temp. Version



## SIDE ENTRY MODULAR PCB JACK 6P PROFILE=16.00MM (UNSHIELDED)

### SPECIFICATIONS

Insulation Resistance: 500M $\Omega$  Min.

Contact Resistance: 20m $\Omega$  Max.

Rating Current: 1.5A Max.

Rating Voltage: 120V AC.

Dielectric Voltage: 1000 Vrms 60 Sec. Min.

Temperature Range: -40 $^{\circ}$ C / +85 $^{\circ}$ C

Durability: 500 Mating cycles Min.

### MATERIALS

Housing: PBT Glass Filled (UL 94V-0)

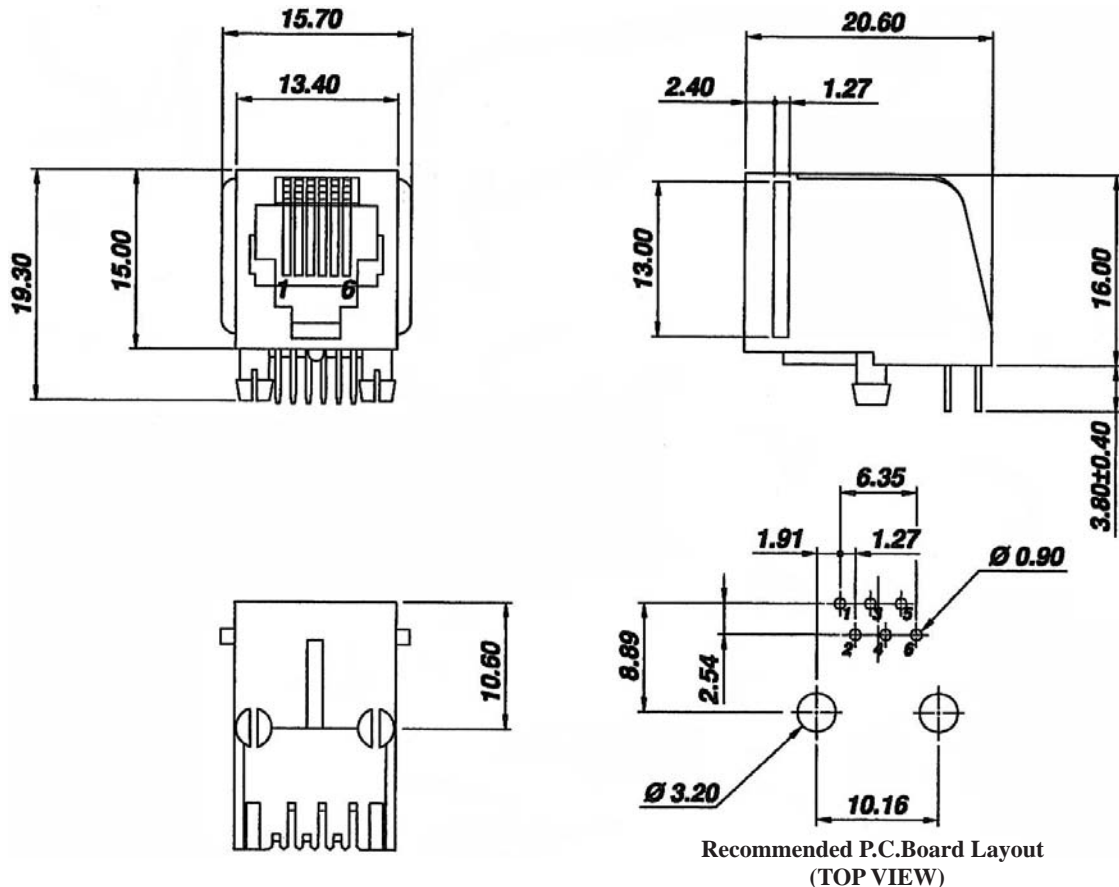
Soldering Temperature: 235 $^{\circ}$ C

Color: Black

Spring Wire: Phosphor Bronze

Gold plating Over Nickel

All materials must be RoHS compliant.



### ORDERING INFORMATION:

P/N M J L C -  $\frac{x}{1} \frac{x}{2} B$

#### 1. NO. OF POSITIONS & CONTACTS:

"66" 6P6C

"64" 6P4C

#### 2. CONTACT FINISH:

"A" 6 MICROINCH GOLD

"B" 15 MICROINCH GOLD

"C" 30 MICROINCH GOLD

"D" 50 MICROINCH GOLD

NOTE: P/N MJLCHT-6xxB for High Temp. Version

## SIDE ENTRY MODULAR PCB JACK 8P PROFILE=16.00MM (UNSHIELDED)

### SPECIFICATIONS

Insulation Resistance: 500MΩ Min.

Contact Resistance: 20mΩ Max.

Rating Current: 1.5A Max.

Rating Voltage: 120V AC.

Dielectric Voltage: 1000 Vrms 60 Sec. Min.

Temperature Range: -40°C / +85°C

Durability: 500 Mating cycles Min.

### MATERIALS

Housing: PBT Glass Filled (UL 94V-0)

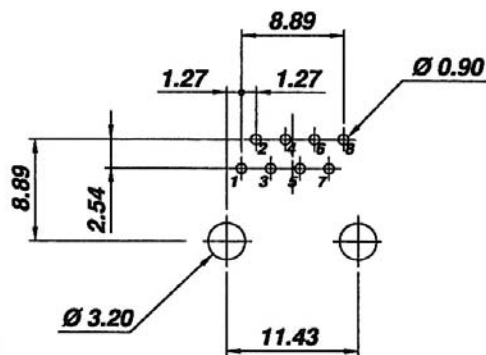
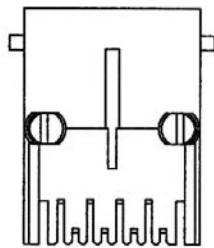
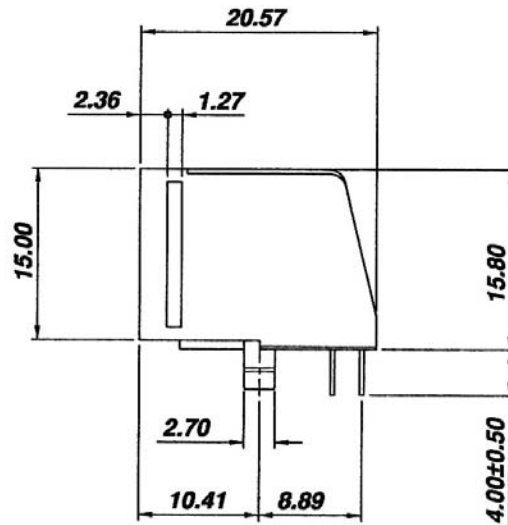
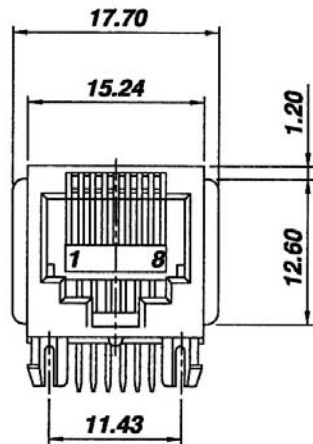
Soldering Temperature: 235°C

Color: Black

Spring Wire: Phosphor Bronze

Gold plating Over Nickel

All materials must be RoHS compliant.



Recommended P.C. Board Layout  
(TOP VIEW)

### ORDERING INFORMATION:

P/N M J L C -  $\frac{88}{1} \times \frac{B}{2} \times \frac{3}{3}$

#### 1. NO. OF POSITIONS & CONTACTS:

"88" 8P8C

#### 2. CONTACT FINISH:

"A" 6 MICROINCH GOLD

"B" 15 MICROINCH GOLD

"C" 30 MICROINCH GOLD

"D" 50 MICROINCH GOLD

#### 3. KEYWAY OPTION:

" " W/O KEYWAY

"K" WITH KEYWAY

NOTE: P/N MJLCHT-88xB for High Temp. Version

## SIDE ENTRY MODULAR PCB JACK DEC TYPE 6P PROFILE=16.00MM (UNSHIELDED)

### SPECIFICATIONS

**Insulation Resistance:** 500MΩ Min.

**Contact Resistance:** 20mΩ Max.

**Rating Current:** 1.5A Max.

**Rating Voltage:** 120V AC.

**Dielectric Voltage:** 1000 Vrms 60 Sec. Min.

**Temperature Range:** -40°C / +85°C

**Durability:** 500 Mating cycles Min.

### MATERIALS

**Housing:** PBT Glass Filled (UL 94V-0)

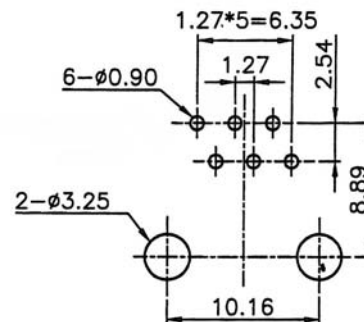
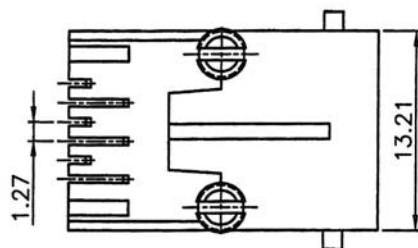
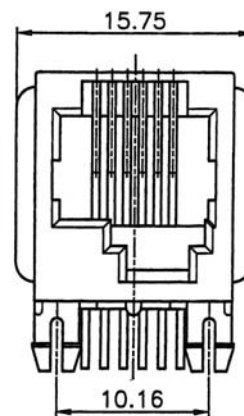
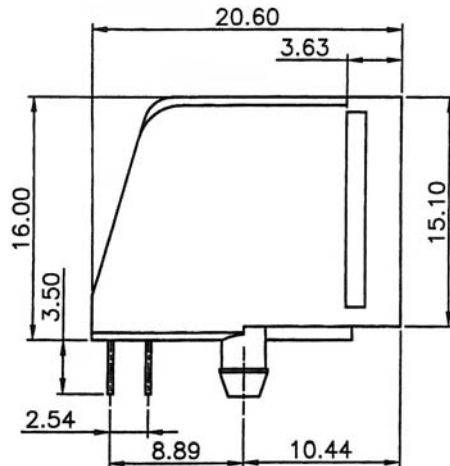
**Soldering Temperature:** 235°C

**Color:** Black

**Spring Wire:** Phosphor Bronze

Gold plating Over Nickel

**All materials must be RoHS compliant.**



Recommended P.C.Board Layout  
(TOP VIEW)

### ORDERING INFORMATION:

P/N M J  $\frac{XX}{1} - \frac{XXX}{23} B$

#### 1. PANEL STOP OPTION:

"8H" WITH PANEL STOP

"8K" W/O PANEL STOP

#### 2. NO. OF POSITIONS & CONTACTS:

"66" 6P6C

"64" 6P4C

#### 3. CONTACT FINISH:

"A" 6 MICROINCH GOLD

"B" 15 MICROINCH GOLD

"C" 30 MICROINCH GOLD

"D" 50 MICROINCH GOLD

"E" GOLD FLASH

# SIDE ENTRY MODULAR PCB JACK 4P+6P+8P PROFILE=16.00MM (UNSHIELDED)

## SPECIFICATIONS

**Insulation Resistance:** 500MΩ Min.

**Contact Resistance:** 20mΩ Max.

**Rating Current:** 1.5A Max.

**Rating Voltage:** 120V AC.

**Dielectric Voltage:** 1000 Vrms 60 Sec. Min.

**Temperature Range:** -40°C / +85°C

**Durability:** 500 Mating cycles Min.

## MATERIALS

**Housing:** PBT Glass Filled (UL 94V-0)

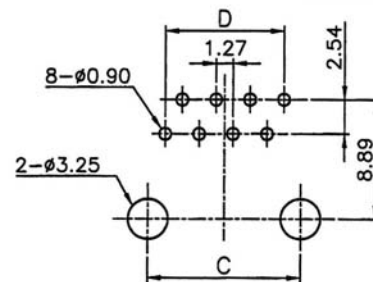
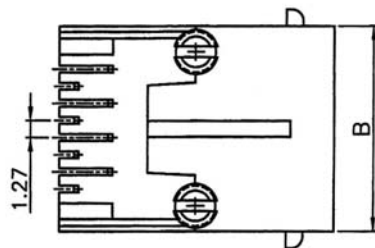
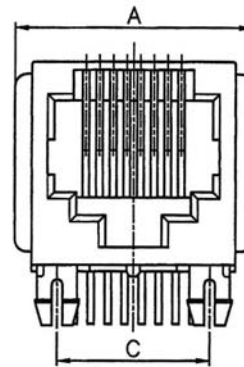
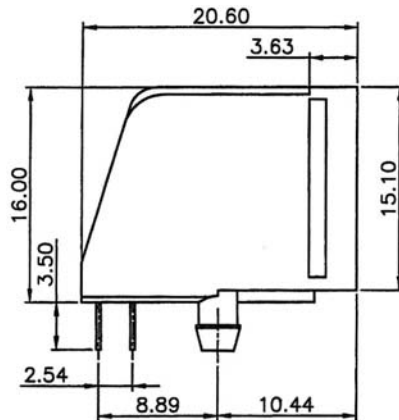
**Soldering Temperature:** 235°C

**Color:** Black

**Spring Wire:** Phosphor Bronze

Gold plating Over Nickel

**All materials must be RoHS compliant.**



**Recommended P.C.Board Layout  
(TOP VIEW)**

No. of Positions	Dimensions			
	A	B	C	D
4	13.72	11.18	7.62	3.81
6	15.75	13.21	10.16	6.35
8	17.78	15.24	11.43	8.89

## ORDERING INFORMATION:

**P/N M J  $\frac{X}{1} X - \frac{X}{2} X \frac{X}{3} B \frac{X}{4}$**

### 1. PANEL STOP OPTION:

"01" WITH PANEL STOP

"02" W/O PANEL STOP

### 2. NO. OF POSITIONS & CONTACTS:

"66" 6P6C

"64" 6P4C

"88" 8P8C

"44" 4P4C

### 3. CONTACT FINISH:

"A" 6 MICROINCH GOLD

"B" 15 MICROINCH GOLD

"C" 30 MICROINCH GOLD

"D" 50 MICROINCH GOLD

"E" GOLD FLASH

### 4. KEYWAY OPTION:

" " W/O KEYWAY

"K" WITH KEYWAY

# SIDE ENTRY UP LATCH MODULAR PCB JACK 4P+6P PROFILE=18.50MM (UNSHIELDED)

## SPECIFICATIONS

**Insulation Resistance:** 500MΩ Min.

**Contact Resistance:** 20mΩ Max.

**Rating Current:** 1.5A Max.

**Rating Voltage:** 120V AC.

**Dielectric Voltage:** 1000 Vrms 60 Sec. Min.

**Temperature Range:** -40°C / +85°C

**Durability:** 500 Mating cycles Min.

## MATERIALS

**Housing:** PBT Glass Filled (UL 94V-0)

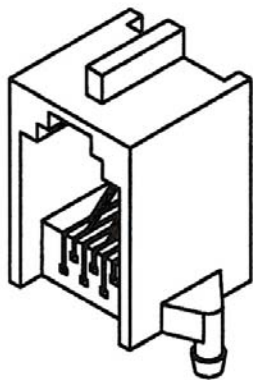
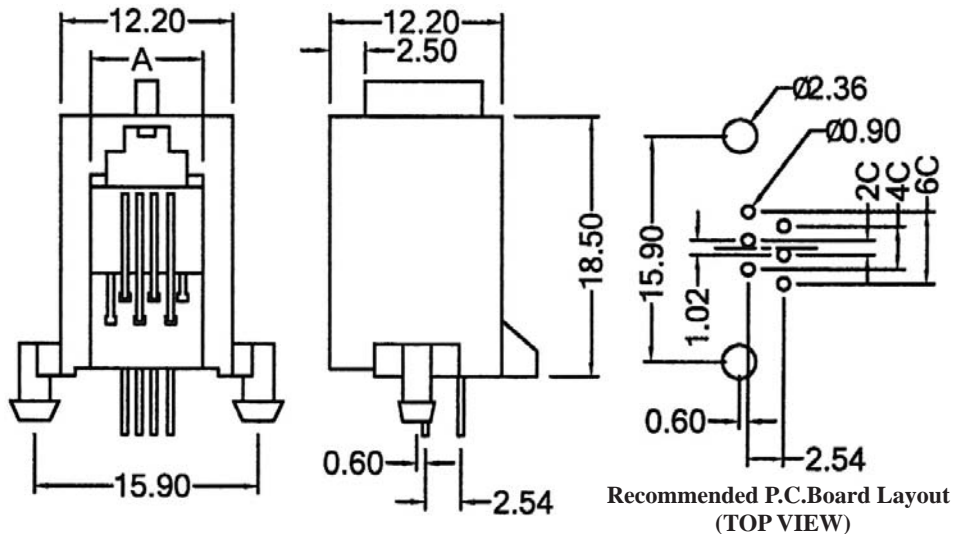
**Soldering Temperature:** 235°C

**Color:** Gray

**Spring Wire:** Phosphor Bronze

Gold plating Over Nickel

All materials must be RoHS compliant.



No. of Positions	No. of Contacts	A
(6P)4P	4C	7.90
6P	2C/4C/6C	9.90

## ORDERING INFORMATION:

P/N M J R 2 -  $\frac{x}{1} \frac{x}{2} \frac{x}{3} \frac{A}{3}$

### 1. NO. OF POSITIONS & CONTACTS:

"66" 6P6C

"64" 6P4C

"44" 4P4C

### 2. CONTACT FINISH:

"A" 6 MICROINCH GOLD

"B" 15 MICROINCH GOLD

"C" 30 MICROINCH GOLD

"D" 50 MICROINCH GOLD

### 3. HOUSING COLOR:

"A" GRAY

## SIDE ENTRY UP LATCH MODULAR PCB JACK WITH SHORTING BAR 8P PROFILE=21.20MM (UNSHIELDED)

### SPECIFICATIONS

**Insulation Resistance:** 500MΩ Min.

**Contact Resistance:** 20mΩ Max.

**Rating Current:** 1.5A Max.

**Rating Voltage:** 120V AC.

**Dielectric Voltage:** 1000 Vrms 60 Sec. Min.

**Temperature Range:** -40°C / +85°C

**Durability:** 500 Mating cycles Min.

### MATERIALS

**Housing:** PBT Glass Filled (UL 94V-0)

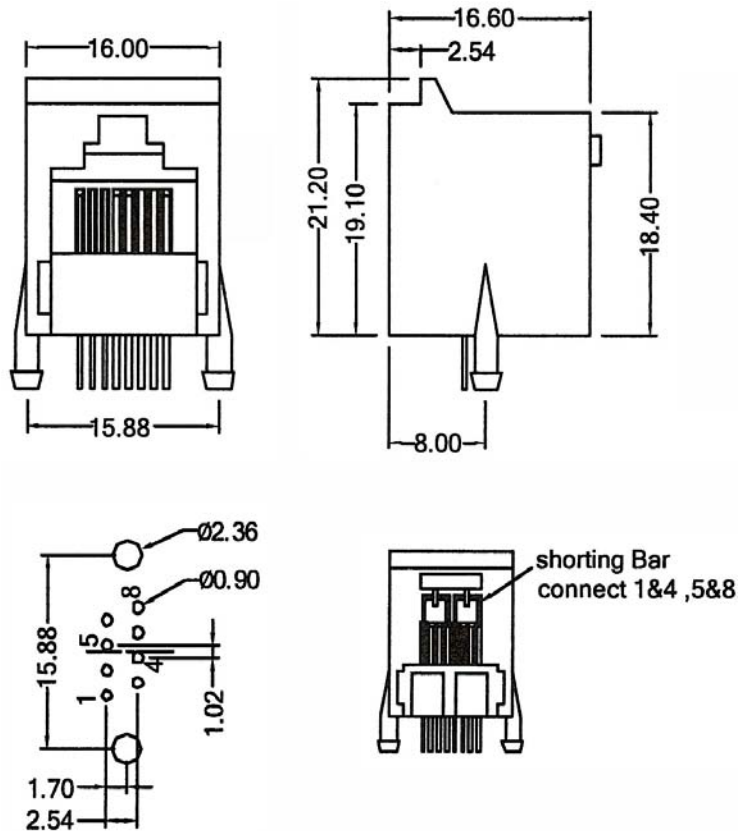
**Soldering Temperature:** 235°C

**Color:** Black

**Spring Wire:** Phosphor Bronze

Gold plating Over Nickel

**All materials must be RoHS compliant.**



Recommended P.C.Board Layout  
(TOP VIEW)

## ORDERING INFORMATION:

**P/N M J 6 8 -  $\frac{88}{1} \times \frac{B}{2}$**

### 1. NO. OF POSITIONS & CONTACTS:

"88" 8P8C

### 2. CONTACT FINISH:

"A" 6 MICROINCH GOLD

"B" 15 MICROINCH GOLD

"C" 30 MICROINCH GOLD

"D" 50 MICROINCH GOLD

"E" 3 MICROINCH GOLD