

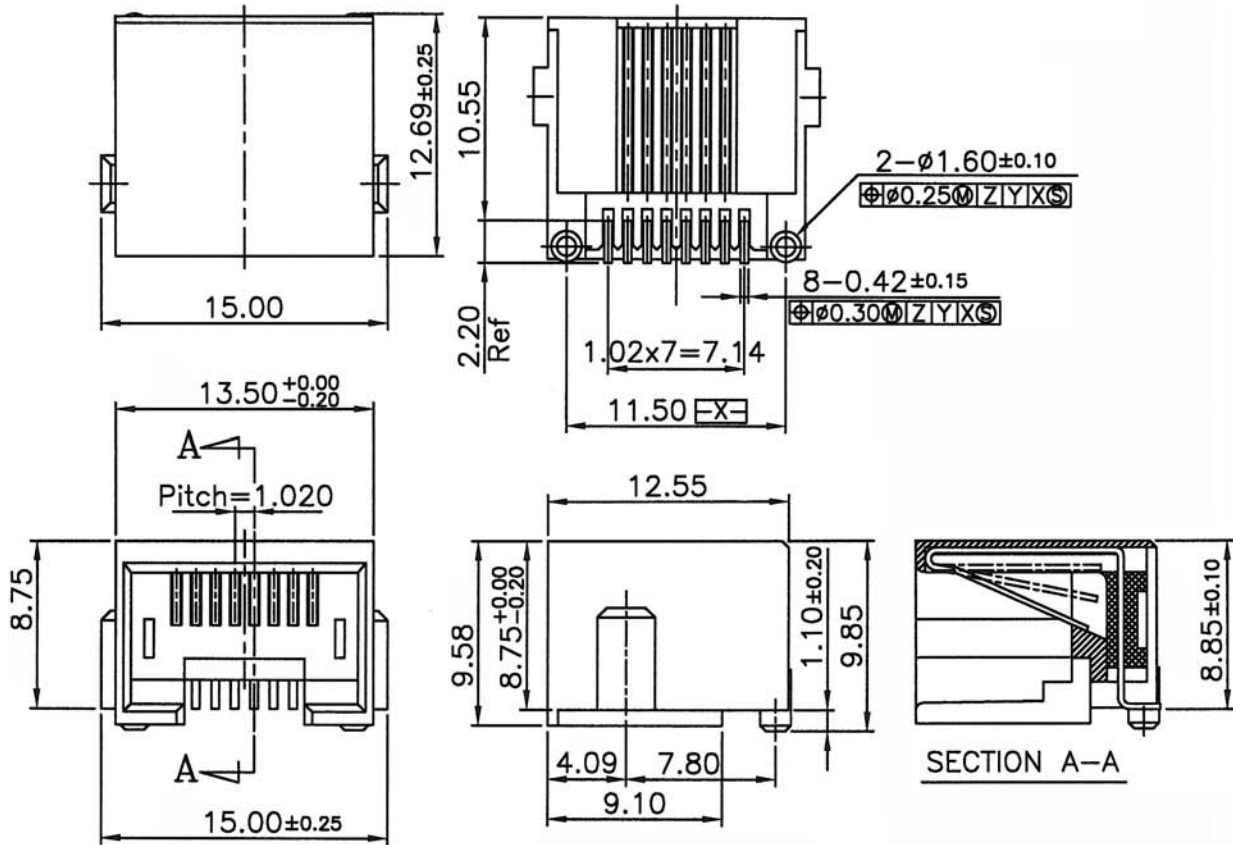
SIDE ENTRY EMBEDDED MODULAR SMT JACK 8P PROFILE=9.58MM (UNSHIELDED)

SPECIFICATIONS

Insulation Resistance: 500MΩ Min.
Contact Resistance: 20mΩ Max.
Rating Current: 1.5A Max.
Rating Voltage: 120V AC.
Dielectric Voltage: 1000 Vrms 60 Sec. Min.
Temperature Range: -40°C / +85°C
Durability: 500 Mating cycles Min.

MATERIALS

Housing: Nylon (UL 94V-0)
Soldering Temperature: 260°C
Color: Black
Spring Wire: Phosphor Bronze
 Gold plating Over Nickel
All materials must be RoHS compliant.



ORDERING INFORMATION:

P/N M J 2 V - $\frac{x}{1} \frac{x}{2} \frac{x}{3} B - \frac{x}{3}$

- NO. OF POSITIONS & CONTACTS:
"88" 8P8C
- CONTACT FINISH:
"A" 6 MICROINCH GOLD
"B" 15 MICROINCH GOLD
"C" 30 MICROINCH GOLD
"D" 50 MICROINCH GOLD
- PACKAGE OPTION:
" " TRAY
"R" TAPE & REEL

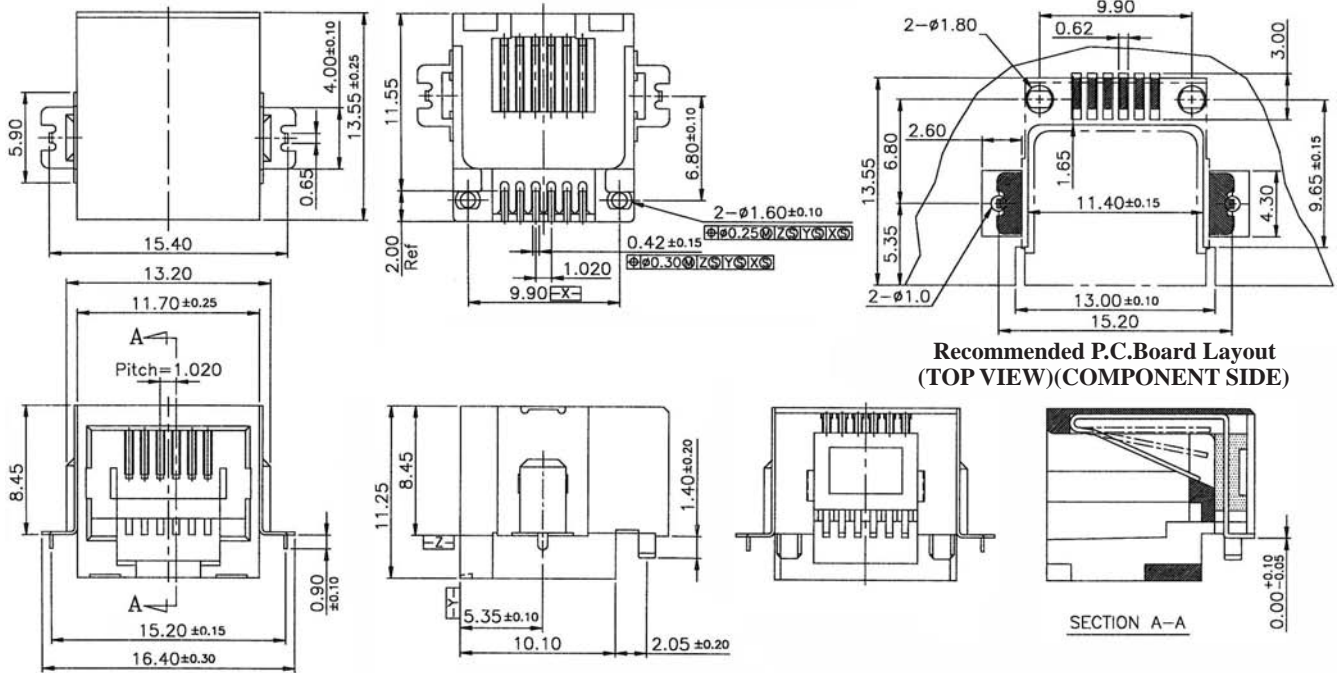
SIDE ENTRY EMBEDDED MODULAR SMT JACK 6P PROFILE=11.25MM (UNSHIELDED)

SPECIFICATIONS

Insulation Resistance: 500MΩ Min.
Contact Resistance: 20mΩ Max.
Rating Current: 1.5A Max.
Rating Voltage: 120V AC.
Dielectric Voltage: 1000 Vrms 60 Sec. Min.
Temperature Range: -40°C / +85°C
Durability: 500 Mating cycles Min.

MATERIALS

Housing: Nylon (UL 94V-0)
Soldering Temperature: 260°C
Color: Black
Spring Wire: Phosphor Bronze
 Gold plating Over Nickel
All materials must be RoHS compliant.



ORDERING INFORMATION:

P/N M J 3 Q - $\frac{x}{1}$ $\frac{x}{2}$ $\frac{x}{3}$ B - $\frac{x}{3}$

- NO. OF POSITIONS & CONTACTS:
 - "66" 6P6C
 - "64" 6P4C
- CONTACT FINISH:
 - "A" 6 MICROINCH GOLD
 - "B" 15 MICROINCH GOLD
 - "C" 30 MICROINCH GOLD
 - "D" 50 MICROINCH GOLD
- PACKAGE OPTION:
 - " " TRAY
 - "R" TAPE & REEL

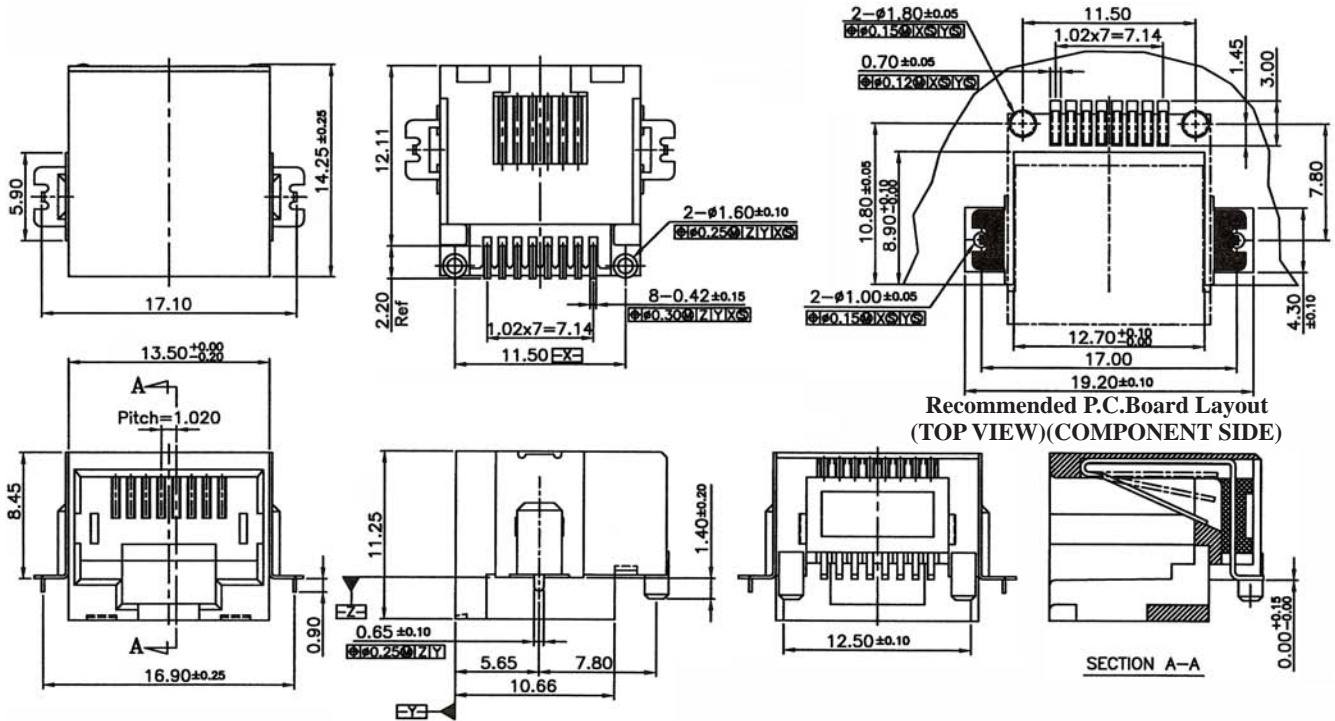
SIDE ENTRY EMBEDDED MODULAR SMT JACK 8P PROFILE=11.25MM (UNSHIELDED)

SPECIFICATIONS

Insulation Resistance: 500MΩ Min.
 Contact Resistance: 20mΩ Max.
 Rating Current: 1.5A Max.
 Rating Voltage: 120V AC.
 Dielectric Voltage: 1000 Vrms 60 Sec. Min.
 Temperature Range: -40°C / +85°C
 Durability: 500 Mating cycles Min.

MATERIALS

Housing: Nylon (UL 94V-0)
 Soldering Temperature: 260°C
 Color: Black
 Spring Wire: Phosphor Bronze
 Gold plating Over Nickel
 All materials must be RoHS compliant.



ORDERING INFORMATION:

P/N M J 3 Q - $\frac{88}{1}$ $\frac{x}{2}$ B - $\frac{x}{3}$

1. NO. OF POSITIONS & CONTACTS:
"88" 8P8C
2. CONTACT FINISH:
"A" 6 MICROINCH GOLD
"B" 15 MICROINCH GOLD
"C" 30 MICROINCH GOLD
"D" 50 MICROINCH GOLD
3. PACKAGE OPTION:
" " TRAY
"R" TAPE & REEL

SIDE ENTRY MODULAR SMT JACK 4P PROFILE=11.50MM (UNSHIELDED)

SPECIFICATIONS

Insulation Resistance: 500MΩ Min.

Contact Resistance: 20mΩ Max.

Rating Current: 1.5A Max.

Rating Voltage: 120V AC.

Dielectric Voltage: 1000 Vrms 60 Sec. Min.

Temperature Range: -40°C / +85°C

Durability: 500 Mating cycles Min.

MATERIALS

Housing: Nylon (UL 94V-0)

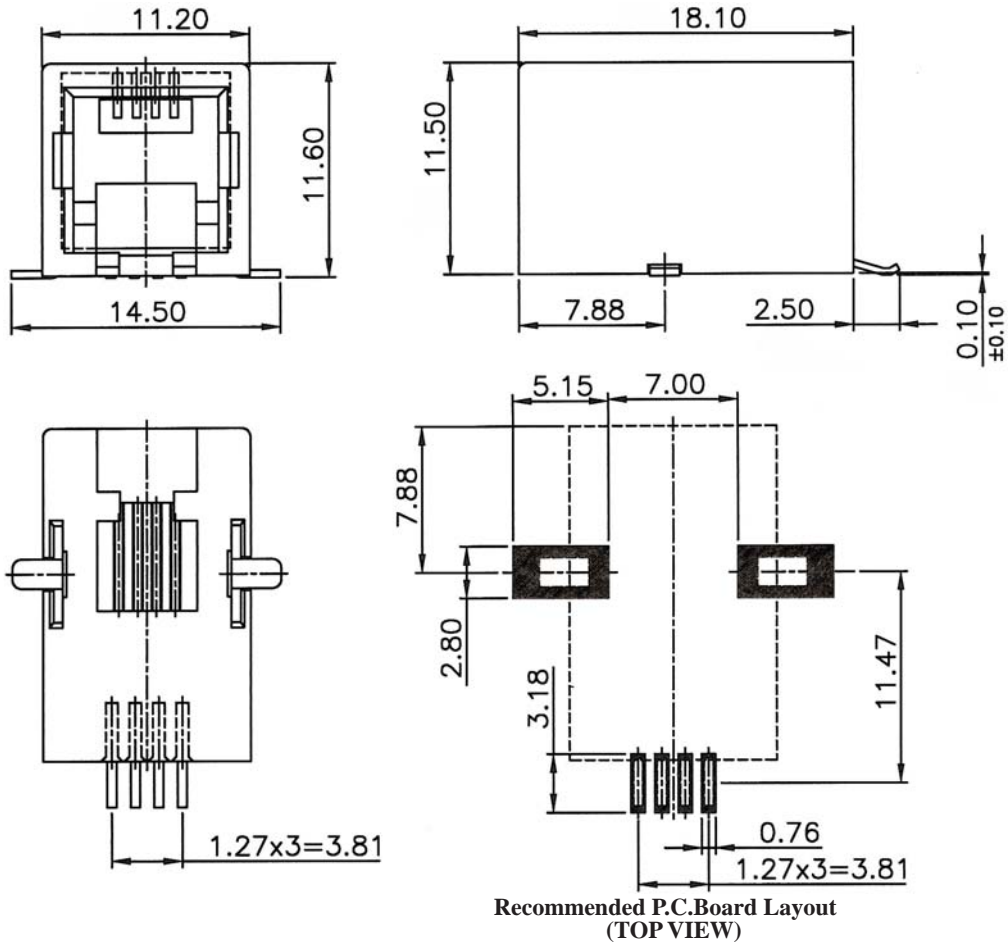
Soldering Temperature: 260°C

Color: Black

Spring Wire: Phosphor Bronze

Gold plating Over Nickel

All materials must be RoHS compliant.



ORDERING INFORMATION:

P/N M J 4 4 - $\frac{x}{1}$ $\frac{x}{2}$ $\frac{x}{3}$ B - $\frac{x}{3}$

1. NO. OF POSITIONS & CONTACTS:

"44" 4P4C

2. CONTACT FINISH:

"A" 6 MICROINCH GOLD

"B" 15 MICROINCH GOLD

"C" 30 MICROINCH GOLD

"D" 50 MICROINCH GOLD

3. PACKAGE OPTION:

" " TRAY

"R" TAPE & REEL

SIDE ENTRY MODULAR SMT JACK 6P PROFILE=11.50MM (UNSHIELDED)

SPECIFICATIONS

Insulation Resistance: 500MΩ Min.

Contact Resistance: 20mΩ Max.

Rating Current: 1.5A Max.

Rating Voltage: 120V AC.

Dielectric Voltage: 1000 Vrms 60 Sec. Min.

Temperature Range: -40°C / +85°C

Durability: 500 Mating cycles Min.

MATERIALS

Housing: Nylon (UL 94V-0)

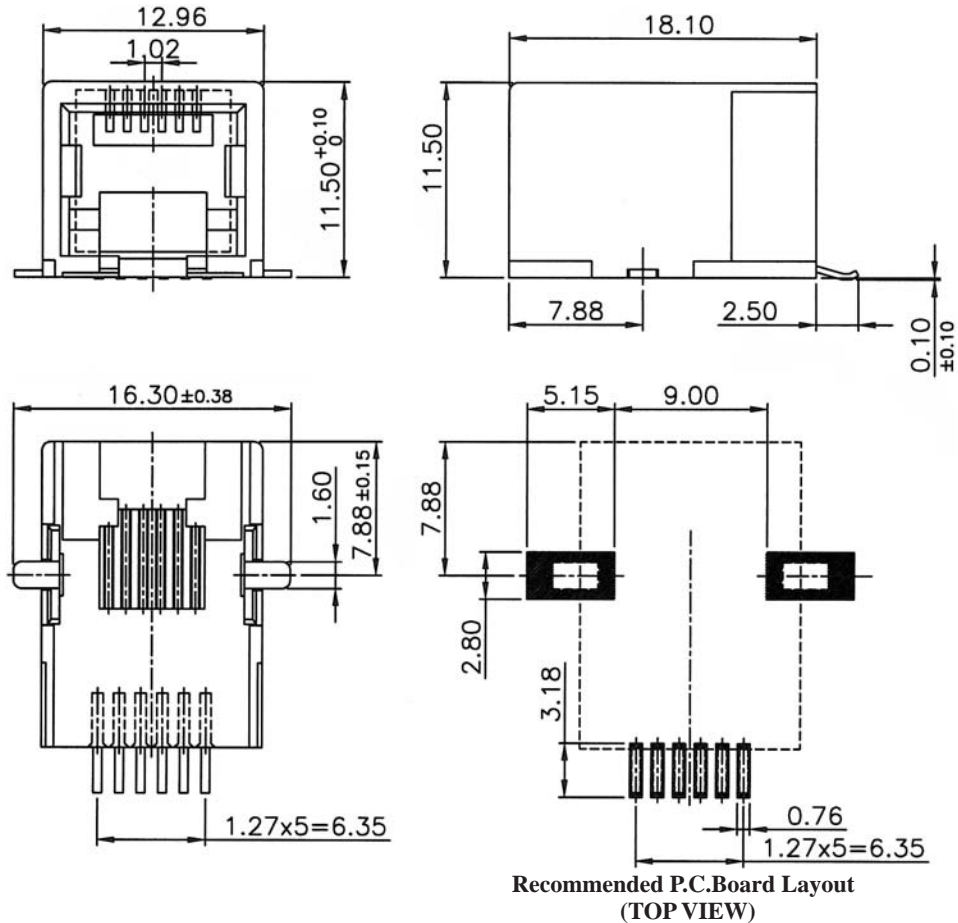
Soldering Temperature: 260°C

Color: Black

Spring Wire: Phosphor Bronze

Gold plating Over Nickel

All materials must be RoHS compliant.



ORDERING INFORMATION:

P/N M J 4 4 - $\frac{x}{1} \frac{x}{2} \frac{x}{3} B - \frac{x}{3}$

1. NO. OF POSITIONS & CONTACTS:

"66" 6P6C

"64" 6P4C

2. CONTACT FINISH:

"A" 6 MICROINCH GOLD

"B" 15 MICROINCH GOLD

"C" 30 MICROINCH GOLD

"D" 50 MICROINCH GOLD

3. PACKAGE OPTION:

" " TRAY

"R" TAPE & REEL

SIDE ENTRY MODULAR SMT JACK 8P PROFILE=11.50MM (UNSHIELDED)

SPECIFICATIONS

Insulation Resistance: 500MΩ Min.

Contact Resistance: 20mΩ Max.

Rating Current: 1.5A Max.

Rating Voltage: 120V AC.

Dielectric Voltage: 1000 Vrms 60 Sec. Min.

Temperature Range: -40°C / +85°C

Durability: 500 Mating cycles Min.

MATERIALS

Housing: Nylon (UL 94V-0)

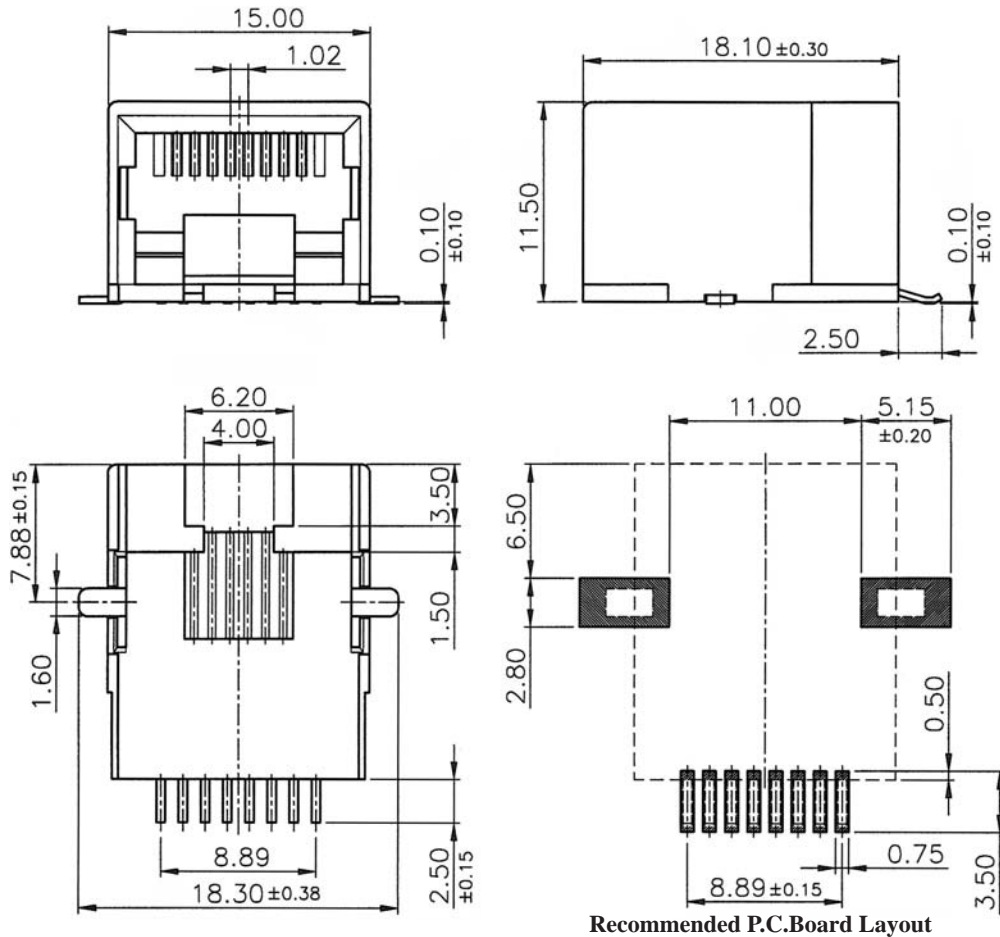
Soldering Temperature: 260°C

Color: Black

Spring Wire: Phosphor Bronze

Gold plating Over Nickel

All materials must be RoHS compliant.



ORDERING INFORMATION:

P/N M J 4 4 - $\frac{x}{1} \frac{x}{2} \frac{x}{3} B - \frac{x}{3}$

1. NO. OF POSITIONS & CONTACTS:

"88" 8P8C

"84" 8P4C

2. CONTACT FINISH:

"A" 6 MICROINCH GOLD

"B" 15 MICROINCH GOLD

"C" 30 MICROINCH GOLD

"D" 50 MICROINCH GOLD

3. PACKAGE OPTION:

" " TRAY

"R" TAPE & REEL

SIDE ENTRY MODULAR SMT JACK 10P PROFILE=11.50MM (UNSHIELDED)

SPECIFICATIONS

Insulation Resistance: 500MΩ Min.

Contact Resistance: 20mΩ Max.

Rating Current: 1.5A Max.

Rating Voltage: 120V AC.

Dielectric Voltage: 1000 Vrms 60 Sec. Min.

Temperature Range: -40°C / +85°C

Durability: 500 Mating cycles Min.

MATERIALS

Housing: Nylon (UL 94V-0)

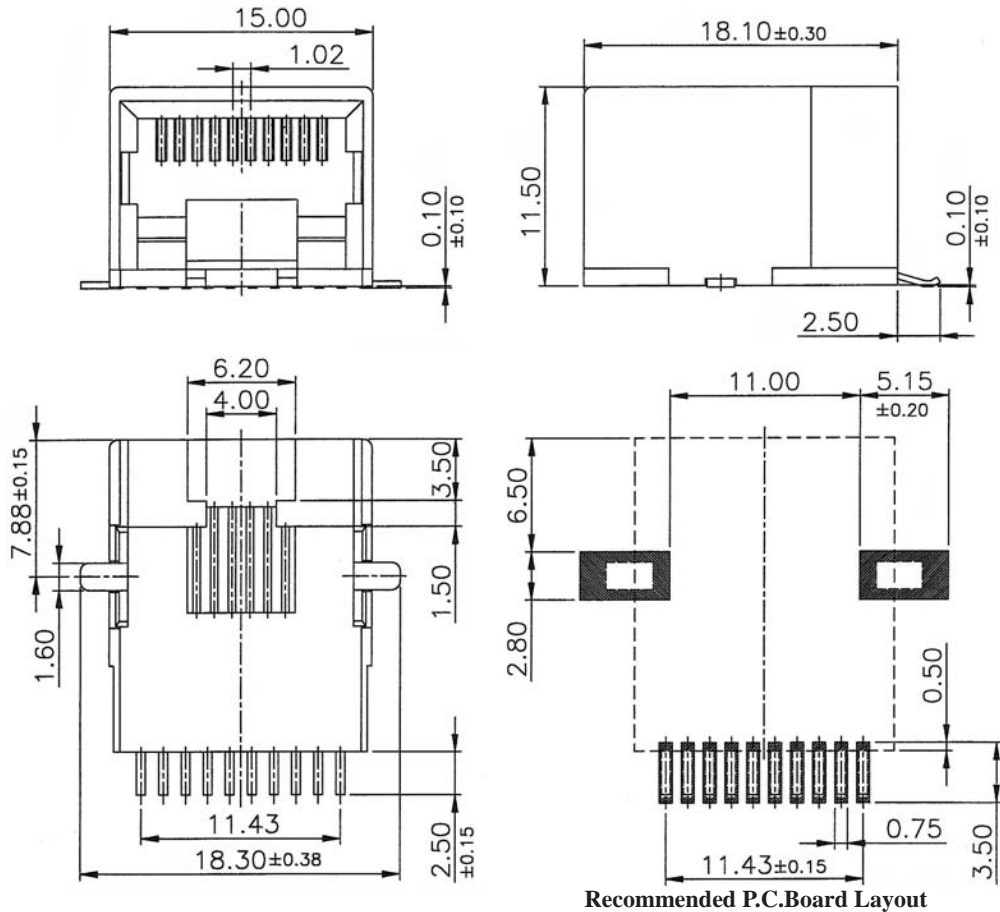
Soldering Temperature: 260°C

Color: Black

Spring Wire: Phosphor Bronze

Gold plating Over Nickel

All materials must be RoHS compliant.



ORDERING INFORMATION:

P/N M J 4 4 - $\frac{x}{1} \frac{x}{2} \frac{x}{3} B - \frac{x}{3}$

1. NO. OF POSITIONS & CONTACTS:

"00" 10P10C

"08" 10P8C

2. CONTACT FINISH:

"A" 6 MICROINCH GOLD

"B" 15 MICROINCH GOLD

"C" 30 MICROINCH GOLD

"D" 50 MICROINCH GOLD

3. PACKAGE OPTION:

" " TRAY

"R" TAPE & REEL

SIDE ENTRY MODULAR SMT JACK 4P PROFILE=11.50MM (UNSHIELDED)

SPECIFICATIONS

Insulation Resistance: 500MΩ Min.

Contact Resistance: 20mΩ Max.

Rating Current: 1.5A Max.

Rating Voltage: 120V AC.

Dielectric Voltage: 1000 Vrms 60 Sec. Min.

Temperature Range: -40°C / +85°C

Durability: 500 Mating cycles Min.

MATERIALS

Housing: Nylon (UL 94V-0)

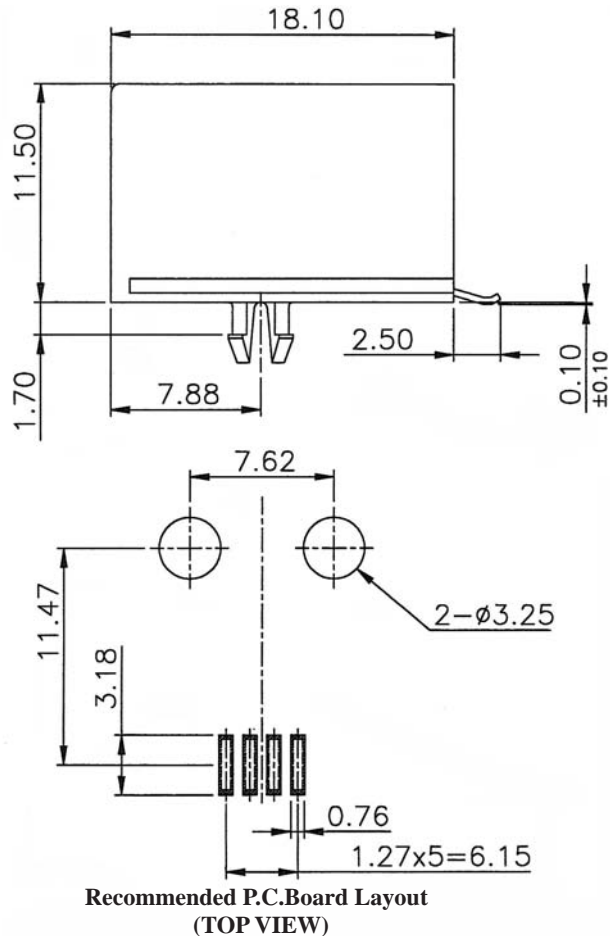
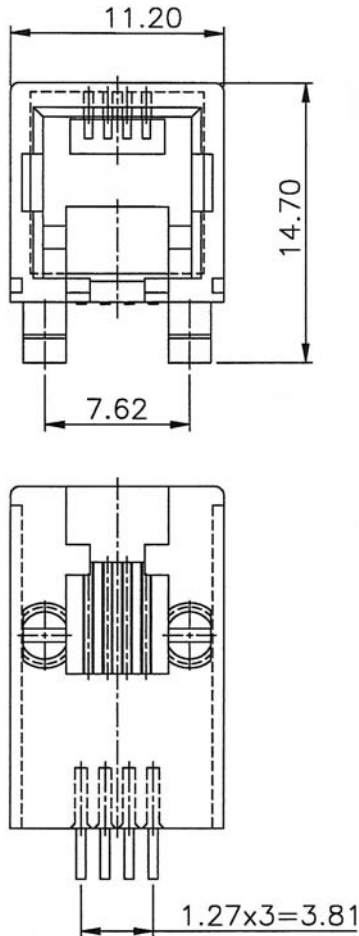
Soldering Temperature: 260°C

Color: Black

Spring Wire: Phosphor Bronze

Gold plating Over Nickel

All materials must be RoHS compliant.



ORDERING INFORMATION:

P/N M J 1 7 - $\frac{x}{1} \frac{x}{2} \frac{x}{3} B - \frac{x}{3}$

1. NO. OF POSITIONS & CONTACTS:

"44" 4P4C

"42" 4P2C

2. CONTACT FINISH:

"A" 6 MICROINCH GOLD

"B" 15 MICROINCH GOLD

"C" 30 MICROINCH GOLD

"D" 50 MICROINCH GOLD

3. PACKAGE OPTION:

" " TRAY

"R" TAPE & REEL

SIDE ENTRY MODULAR SMT JACK 6P PROFILE=11.50MM (UNSHIELDED)

SPECIFICATIONS

Insulation Resistance: 500MΩ Min.

Contact Resistance: 20mΩ Max.

Rating Current: 1.5A Max.

Rating Voltage: 120V AC.

Dielectric Voltage: 1000 Vrms 60 Sec. Min.

Temperature Range: -40°C / +85°C

Durability: 500 Mating cycles Min.

MATERIALS

Housing: Nylon (UL 94V-0)

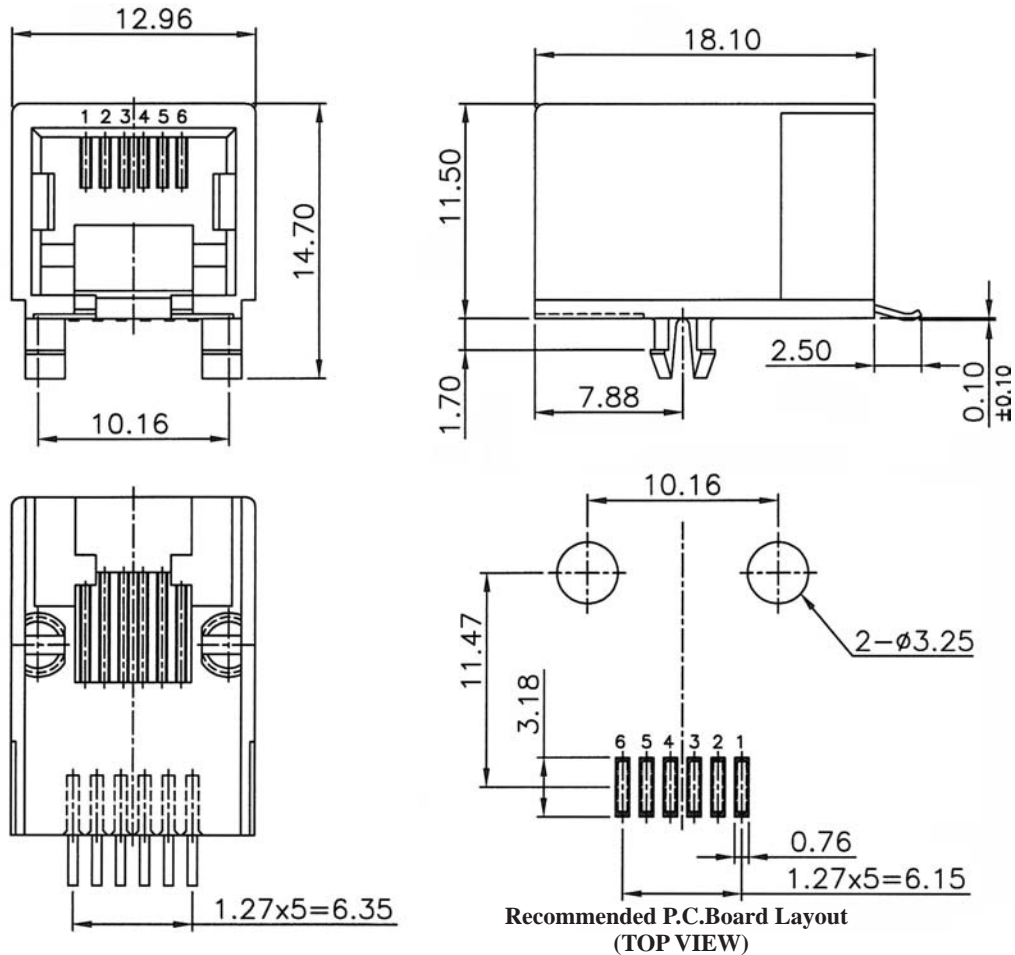
Soldering Temperature: 260°C

Color: Black

Spring Wire: Phosphor Bronze

Gold plating Over Nickel

All materials must be RoHS compliant.



ORDERING INFORMATION:

P/N M J 1 7 - $\frac{x}{1} \frac{x}{2} \frac{x}{3} B - \frac{x}{3}$

1. NO. OF POSITIONS & CONTACTS:

"66" 6P6C

"64" 6P4C

2. CONTACT FINISH:

"A" 6 MICROINCH GOLD

"B" 15 MICROINCH GOLD

"C" 30 MICROINCH GOLD

"D" 50 MICROINCH GOLD

3. PACKAGE OPTION:

" " TRAY

"R" TAPE & REEL

SIDE ENTRY MODULAR SMT JACK 8P PROFILE=11.50MM (UNSHIELDED)

SPECIFICATIONS

Insulation Resistance: 500MΩ Min.

Contact Resistance: 20mΩ Max.

Rating Current: 1.5A Max.

Rating Voltage: 120V AC.

Dielectric Voltage: 1000 Vrms 60 Sec. Min.

Temperature Range: -40°C / +85°C

Durability: 500 Mating cycles Min.

MATERIALS

Housing: Nylon (UL 94V-0)

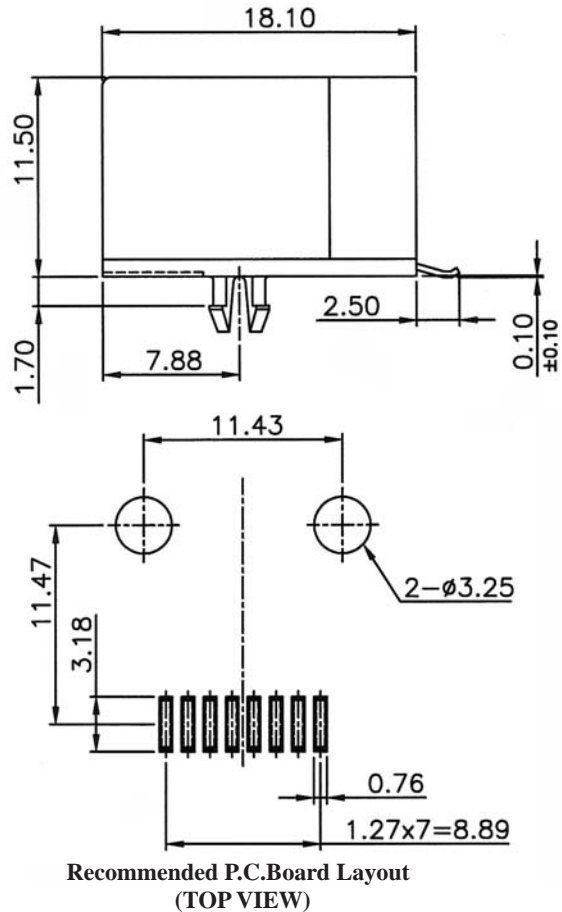
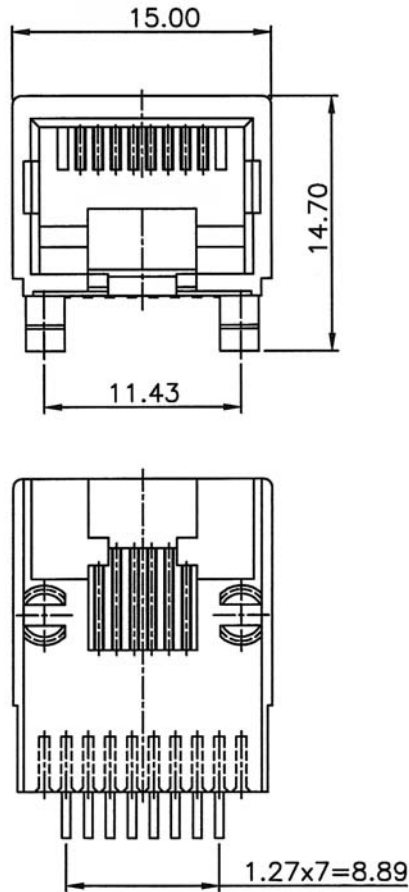
Soldering Temperature: 260°C

Color: Black

Spring Wire: Phosphor Bronze

Gold plating Over Nickel

All materials must be RoHS compliant.



ORDERING INFORMATION:

P/N M J 1 7 - $\frac{x}{1} \frac{x}{2} \frac{x}{3}$ B - $\frac{x}{3}$

1. NO. OF POSITIONS & CONTACTS:

"88" 8P8C

"84" 8P4C

2. CONTACT FINISH:

"A" 6 MICROINCH GOLD

"B" 15 MICROINCH GOLD

"C" 30 MICROINCH GOLD

"D" 50 MICROINCH GOLD

3. PACKAGE OPTION:

" " TRAY

"R" TAPE & REEL

SIDE ENTRY MODULAR SMT JACK 10P PROFILE=11.50MM (UNSHIELDED)

SPECIFICATIONS

Insulation Resistance: 500MΩ Min.

Contact Resistance: 20mΩ Max.

Rating Current: 1.5A Max.

Rating Voltage: 120V AC.

Dielectric Voltage: 1000 Vrms 60 Sec. Min.

Temperature Range: -40°C / +85°C

Durability: 500 Mating cycles Min.

MATERIALS

Housing: Nylon (UL 94V-0)

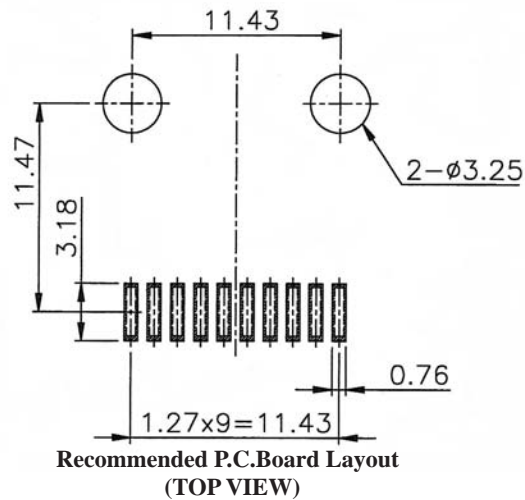
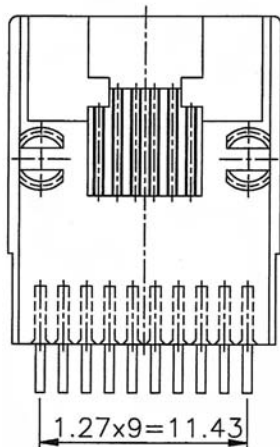
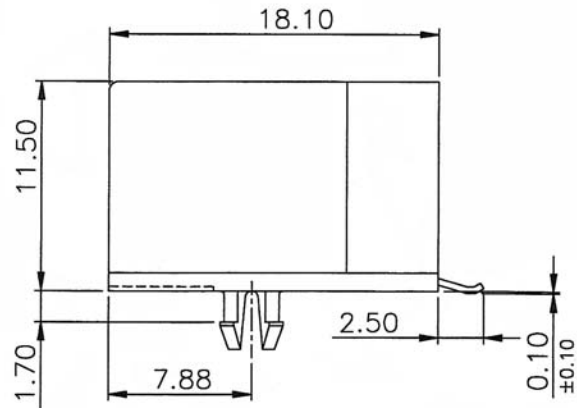
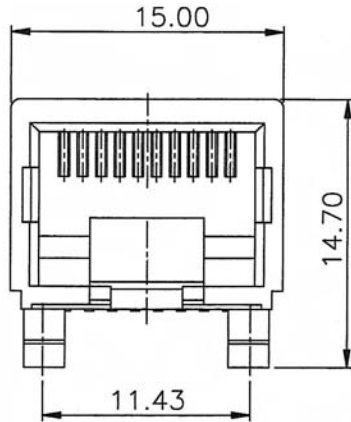
Soldering Temperature: 260°C

Color: Black

Spring Wire: Phosphor Bronze

Gold plating Over Nickel

All materials must be RoHS compliant.



ORDERING INFORMATION:

P/N M J 1 7 - $\frac{x}{1} \frac{x}{2} \frac{x}{3}$ B - $\frac{x}{3}$

1. NO. OF POSITIONS & CONTACTS:

"00" 10P10C

"08" 10P8C

2. CONTACT FINISH:

"A" 6 MICROINCH GOLD

"B" 15 MICROINCH GOLD

"C" 30 MICROINCH GOLD

"D" 50 MICROINCH GOLD

3. PACKAGE OPTION:

" " TRAY

"R" TAPE & REEL

SIDE ENTRY MODULAR SMT JACK 6P PROFILE=11.50MM (UNSHIELDED)

SPECIFICATIONS

Insulation Resistance: 500MΩ Min.

Contact Resistance: 20mΩ Max.

Rating Current: 1.5A Max.

Rating Voltage: 120V AC.

Dielectric Voltage: 1000 Vrms 60 Sec. Min.

Temperature Range: -40°C / +85°C

Durability: 500 Mating cycles Min.

MATERIALS

Housing: Nylon (UL 94V-0)

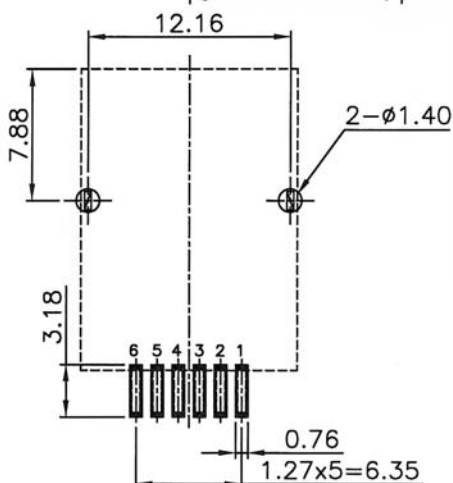
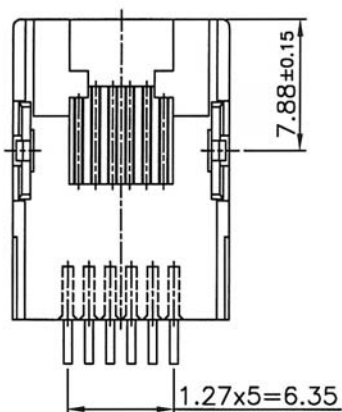
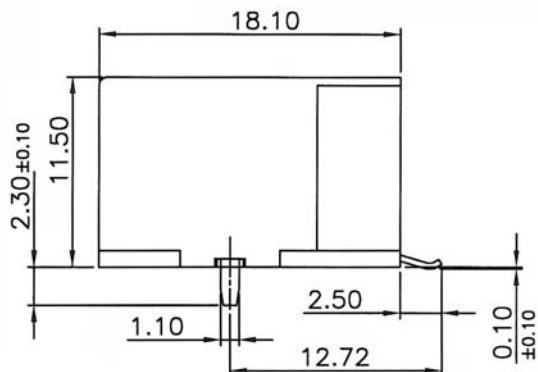
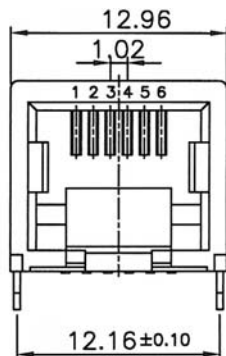
Soldering Temperature: 260°C

Color: Black

Spring Wire: Phosphor Bronze

Gold plating Over Nickel

All materials must be RoHS compliant.



Recommended P.C.Board Layout
(TOP VIEW)

ORDERING INFORMATION:

P/N M J 4 8 - $\frac{x}{1}$ $\frac{x}{2}$ $\frac{x}{3}$ B - $\frac{x}{3}$

1. NO. OF POSITIONS & CONTACTS:

"66" 6P6C

"64" 6P4C

2. CONTACT FINISH:

"A" 6 MICROINCH GOLD

"B" 15 MICROINCH GOLD

"C" 30 MICROINCH GOLD

"D" 50 MICROINCH GOLD

3. PACKAGE OPTION:

" " TRAY

"R" TAPE & REEL

SIDE ENTRY MODULAR SMT JACK 8P PROFILE=11.50MM (UNSHIELDED)

SPECIFICATIONS

Insulation Resistance: 500MΩ Min.

Contact Resistance: 20mΩ Max.

Rating Current: 1.5A Max.

Rating Voltage: 120V AC.

Dielectric Voltage: 1000 Vrms 60 Sec. Min.

Temperature Range: -40°C / +85°C

Durability: 500 Mating cycles Min.

MATERIALS

Housing: Nylon (UL 94V-0)

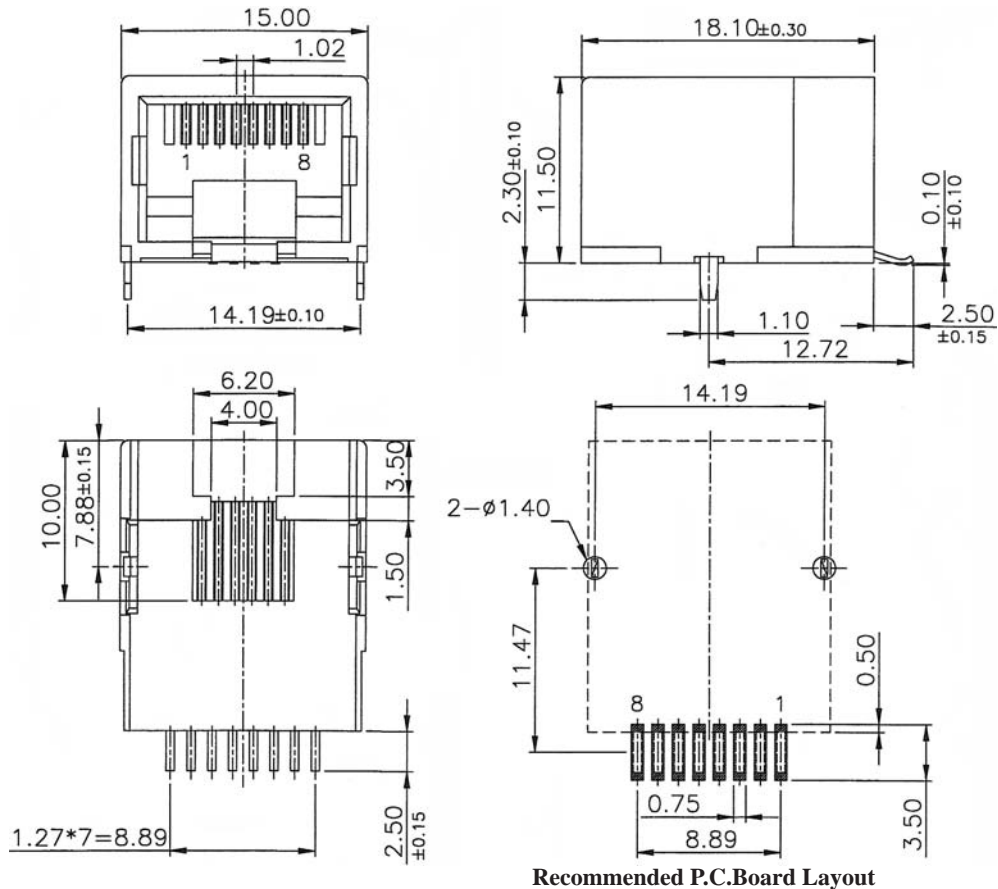
Soldering Temperature: 260°C

Color: Black

Spring Wire: Phosphor Bronze

Gold plating Over Nickel

All materials must be RoHS compliant.



ORDERING INFORMATION:

P/N M J 4 8 - $\frac{x}{1} \frac{x}{2} \frac{x}{3} B - \frac{x}{3}$

1. NO. OF POSITIONS & CONTACTS:

"88" 8P8C

"84" 8P4C

2. CONTACT FINISH:

"A" 6 MICROINCH GOLD

"B" 15 MICROINCH GOLD

"C" 30 MICROINCH GOLD

"D" 50 MICROINCH GOLD

3. PACKAGE OPTION:

" " TRAY

"R" TAPE & REEL

SIDE ENTRY MODULAR SMT JACK 8P+10P PROFILE=11.50MM (UNSHIELDED)

SPECIFICATIONS

Insulation Resistance: 500MΩ Min.

Contact Resistance: 20mΩ Max.

Rating Current: 1.5A Max.

Rating Voltage: 120V AC.

Dielectric Voltage: 1000 Vrms 60 Sec. Min.

Temperature Range: -40°C / +85°C

Durability: 500 Mating cycles Min.

MATERIALS

Housing: Nylon (UL 94V-0)

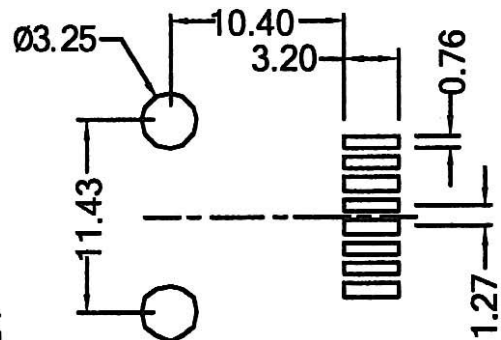
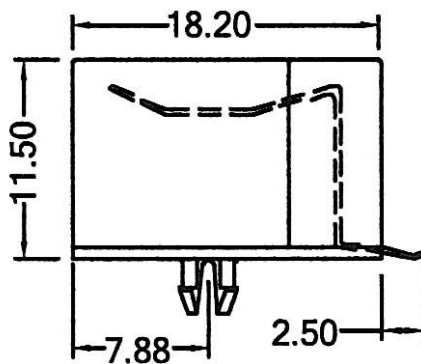
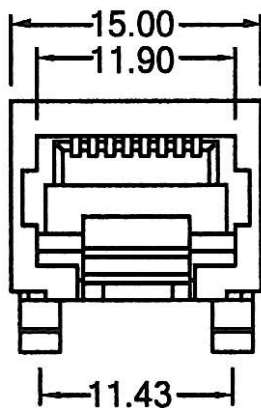
Soldering Temperature: 260°C

Color: Black

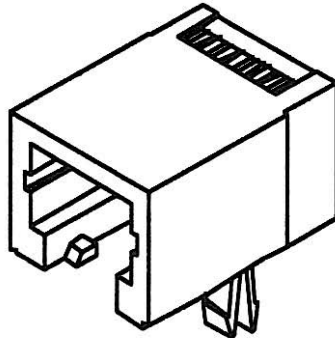
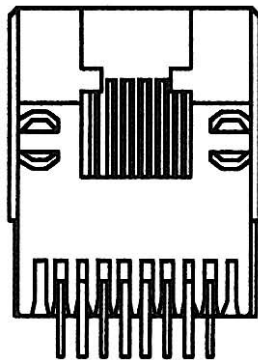
Spring Wire: Phosphor Bronze

Gold plating Over Nickel

All materials must be RoHS compliant.



Recommended P.C.Board Layout
(TOP VIEW)



ORDERING INFORMATION:

P/N M J S 3 - $\frac{x}{1}$ $\frac{x}{2}$ $\frac{x}{3}$ B - $\frac{x}{3}$

1. NO. OF POSITIONS & CONTACTS:

"88" 8P8C

"00" 10P10C

2. CONTACT FINISH:

"A" 6 MICROINCH GOLD

"B" 15 MICROINCH GOLD

"C" 30 MICROINCH GOLD

"D" 50 MICROINCH GOLD

3. PACKAGE OPTION:

" " TRAY

"R" TPAE & REEL

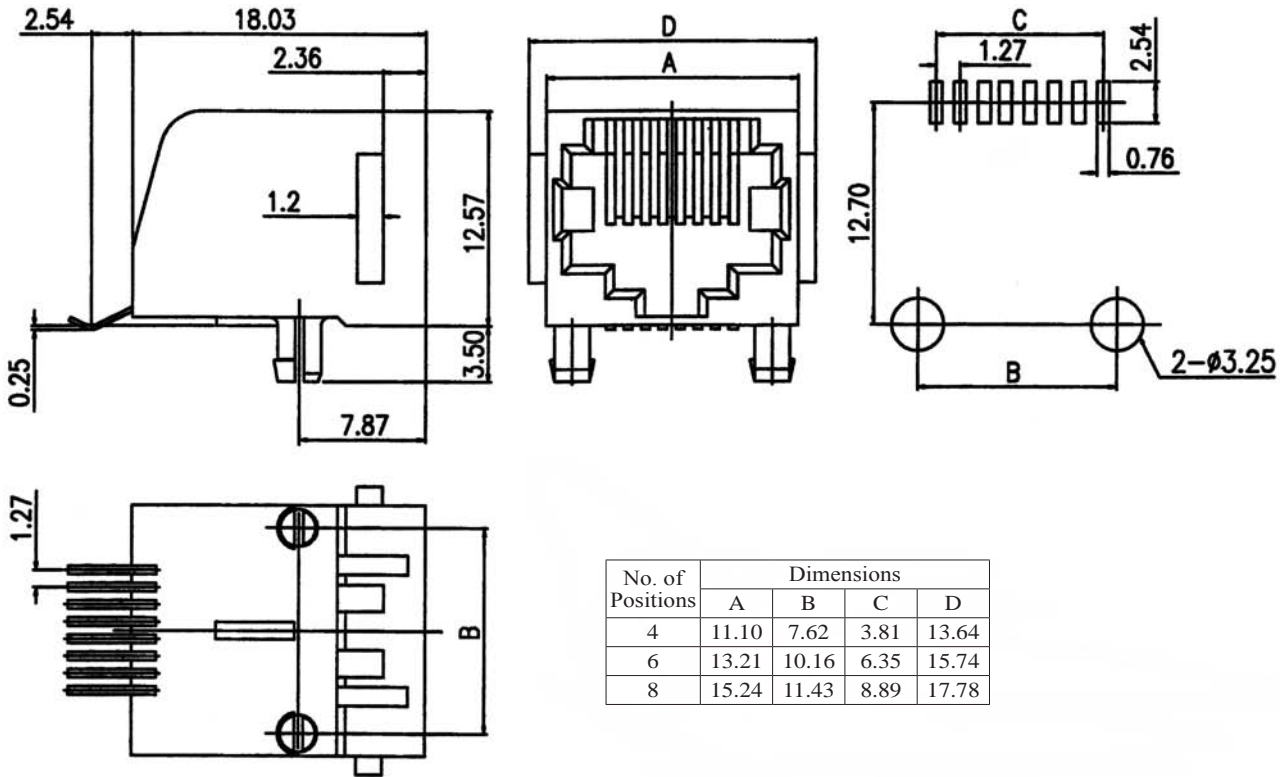
SIDE ENTRY MODULAR SMT JACK 4P+6P+8P PROFILE=12.57MM (UNSHIELDED)

SPECIFICATIONS

Insulation Resistance: 500MΩ Min.
 Contact Resistance: 20mΩ Max.
 Rating Current: 1.5A Max.
 Rating Voltage: 120V AC.
 Dielectric Voltage: 1000 Vrms 60 Sec. Min.
 Temperature Range: -40°C / +85°C
 Durability: 500 Mating cycles Min.

MATERIALS

Housing: Nylon (UL 94V-0)
 Soldering Temperature: 260°C
 Color: Black
 Spring Wire: Phosphor Bronze
 Gold plating Over Nickel
 All materials must be RoHS compliant.



ORDERING INFORMATION:

P/N M J $\frac{x}{1} \frac{x}{2} \frac{x}{3} B - \frac{x}{4}$

- PANEL STOP OPTION:
 "13" WITH PANEL STOP
 "14" W/O PANEL STOP
- NO. OF POSITIONS & CONTACTS:
 "66" 6P6C
 "64" 6P4C
 "88" 8P8C
 "44" 4P4C
- CONTACT FINISH:
 "A" 6 MICROINCH GOLD
 "B" 15 MICROINCH GOLD
 "C" 30 MICROINCH GOLD
 "D" 50 MICROINCH GOLD
- PACKAGE OPTION:
 " " TRAY
 "R" TAPE & REEL

SIDE ENTRY UP LATCH SMT JACK 6P WITH SOLDER PAD PROFILE=12.70MM (UNSHIELDED)

SPECIFICATIONS

Insulation Resistance: 500MΩ Min.

Contact Resistance: 20mΩ Max.

Rating Current: 1.5A Max.

Rating Voltage: 120V AC.

Dielectric Voltage: 1000 Vrms 60 Sec. Min.

Temperature Range: -40°C / +85°C

Durability: 500 Mating cycles Min.

MATERIALS

Housing: Nylon (UL 94V-0)

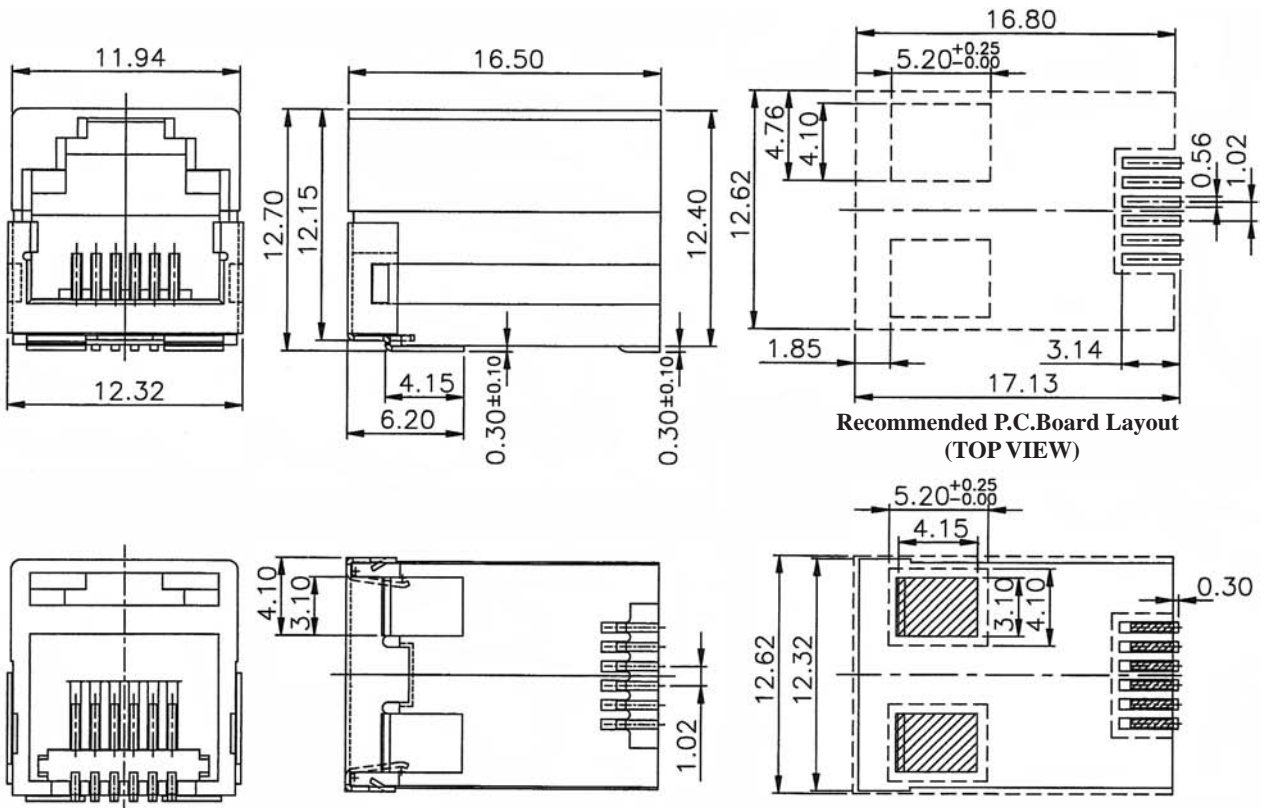
Soldering Temperature: 260°C

Color: Black

Spring Wire: Phosphor Bronze

Gold plating Over Nickel

All materials must be RoHS compliant.



ORDERING INFORMATION:

P/N M J 4 U - $\frac{x}{1} \frac{x}{2} \frac{x}{3} B - \frac{x}{3}$

1. NO. OF POSITIONS & CONTACTS:

"66" 6P6C

"64" 6P4C

2. CONTACT FINISH:

"A" 6 MICROINCH GOLD

"B" 15 MICROINCH GOLD

"C" 30 MICROINCH GOLD

"D" 50 MICROINCH GOLD

3. PACKAGE OPTION:

" " TRAY

"R" TAPE & REEL

SIDE ENTRY MODULAR SMT JACK 6P PROFILE=12.70MM (UNSHIELDED)

SPECIFICATIONS

Insulation Resistance: 500MΩ Min.

Contact Resistance: 20mΩ Max.

Rating Current: 1.5A Max.

Rating Voltage: 120V AC.

Dielectric Voltage: 1000 Vrms 60 Sec. Min.

Temperature Range: -40°C / +85°C

Durability: 500 Mating cycles Min.

MATERIALS

Housing: Nylon (UL 94V-0)

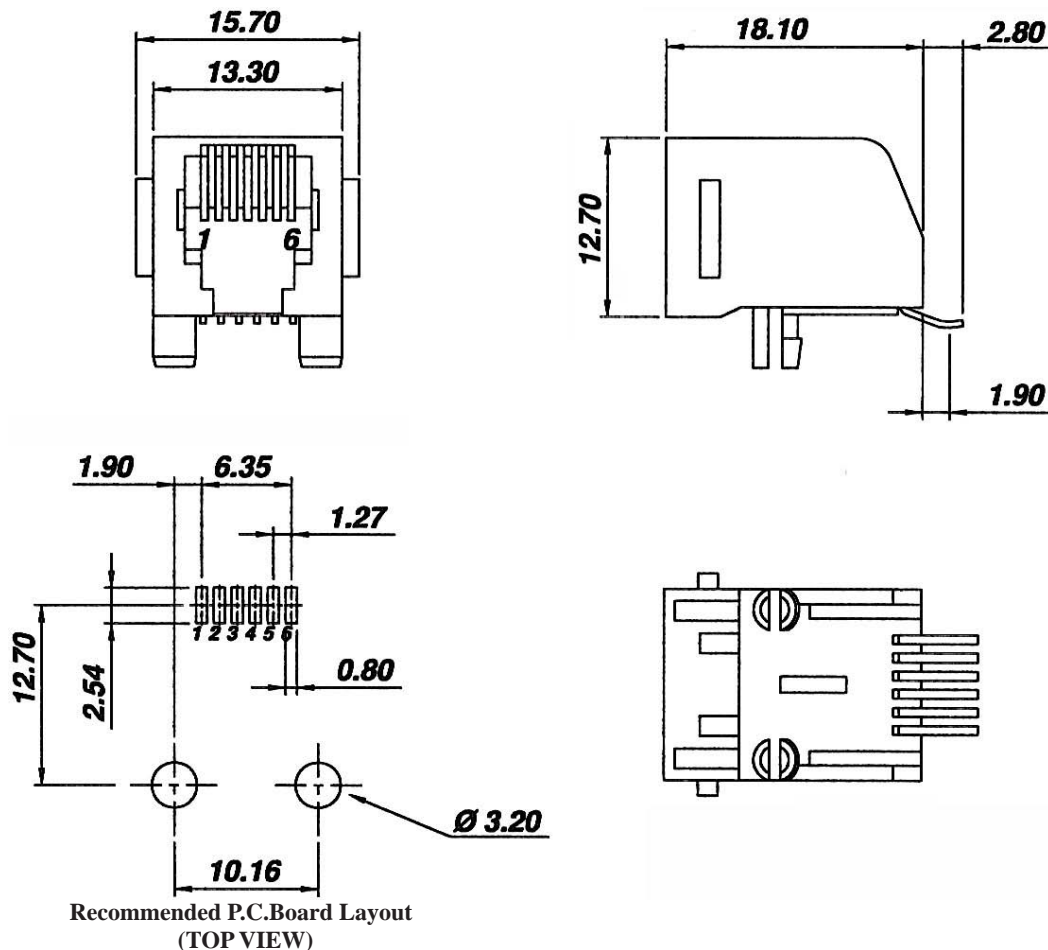
Soldering Temperature: 260°C

Color: Black

Spring Wire: Phosphor Bronze

Gold plating Over Nickel

All materials must be RoHS compliant.



ORDERING INFORMATION:

P/N M J R M - $\frac{x}{1} \frac{x}{2} \frac{x}{3}$ B - $\frac{x}{3}$

1. NO. OF POSITIONS & CONTACTS:

"66" 6P6C

"64" 6P4C

2. CONTACT FINISH:

"A" 6 MICROINCH GOLD

"B" 15 MICROINCH GOLD

"C" 30 MICROINCH GOLD

"D" 50 MICROINCH GOLD

3. PACKAGE OPTION:

" " TRAY

"R" TAPE & REEL

SIDE ENTRY MODULAR SMT JACK 8P PROFILE=12.70MM (UNSHIELDED)

SPECIFICATIONS

Insulation Resistance: 500MΩ Min.

Contact Resistance: 20mΩ Max.

Rating Current: 1.5A Max.

Rating Voltage: 120V AC.

Dielectric Voltage: 1000 Vrms 60 Sec. Min.

Temperature Range: -40°C / +85°C

Durability: 500 Mating cycles Min.

MATERIALS

Housing: Nylon (UL 94V-0)

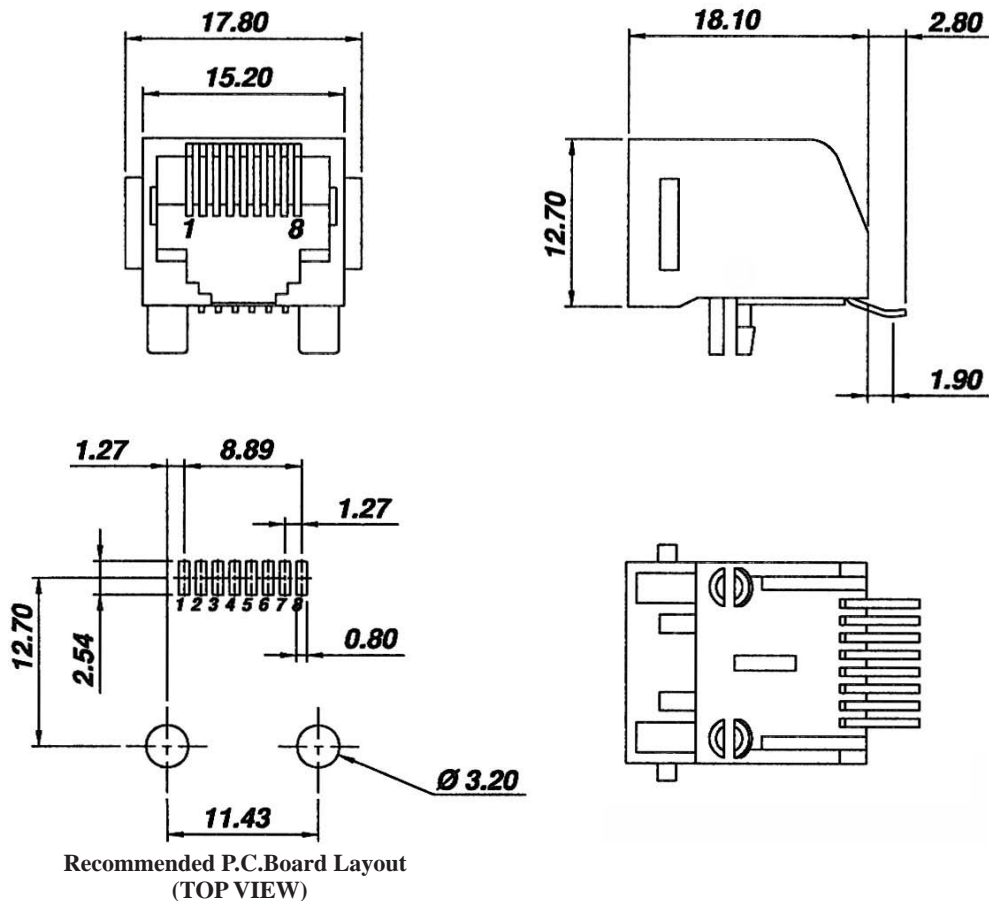
Soldering Temperature: 260°C

Color: Black

Spring Wire: Phosphor Bronze

Gold plating Over Nickel

All materials must be RoHS compliant.



ORDERING INFORMATION:

P/N M J R M - $\frac{88}{1} \frac{x}{2} B - \frac{x}{3}$

1. NO. OF POSITIONS & CONTACTS:

"88" 8P8C

2. CONTACT FINISH:

"A" 6 MICROINCH GOLD

"B" 15 MICROINCH GOLD

"C" 30 MICROINCH GOLD

"D" 50 MICROINCH GOLD

3. PACKAGE OPTION:

" " TRAY

"R" TAPE & REEL

SIDE ENTRY MODULAR SMT JACK 6P PROFILE=12.70MM (UNSHIELDED)

SPECIFICATIONS

Insulation Resistance: 500MΩ Min.

Contact Resistance: 20mΩ Max.

Rating Current: 1.5A Max.

Rating Voltage: 120V AC.

Dielectric Voltage: 1000 Vrms 60 Sec. Min.

Temperature Range: -40°C / +85°C

Durability: 500 Mating cycles Min.

MATERIALS

Housing: Nylon (UL 94V-0)

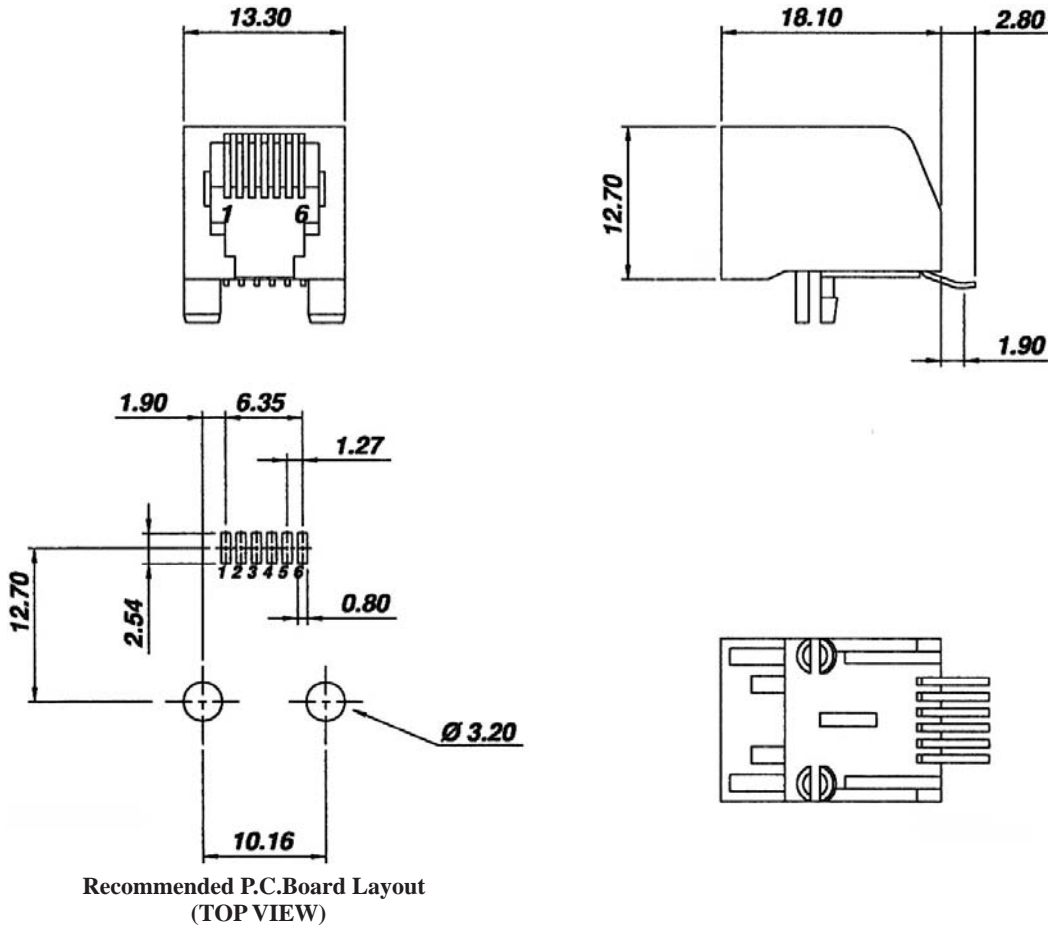
Soldering Temperature: 260°C

Color: Black

Spring Wire: Phosphor Bronze

Gold plating Over Nickel

All materials must be RoHS compliant.



ORDERING INFORMATION:

P/N M J R N - $\frac{x}{1} \frac{x}{2} \frac{x}{3}$ B - $\frac{x}{3}$

1. NO. OF POSITIONS & CONTACTS:

"66" 6P6C

"64" 6P4C

2. CONTACT FINISH:

"A" 6 MICROINCH GOLD

"B" 15 MICROINCH GOLD

"C" 30 MICROINCH GOLD

"D" 50 MICROINCH GOLD

3. PACKAGE OPTION:

" " TRAY

"R" TAPE & REEL

SIDE ENTRY MODULAR SMT JACK 8P PROFILE=12.70MM (UNSHIELDED)

SPECIFICATIONS

Insulation Resistance: 500MΩ Min.

Contact Resistance: 20mΩ Max.

Rating Current: 1.5A Max.

Rating Voltage: 120V AC.

Dielectric Voltage: 1000 Vrms 60 Sec. Min.

Temperature Range: -40°C / +85°C

Durability: 500 Mating cycles Min.

MATERIALS

Housing: Nylon (UL 94V-0)

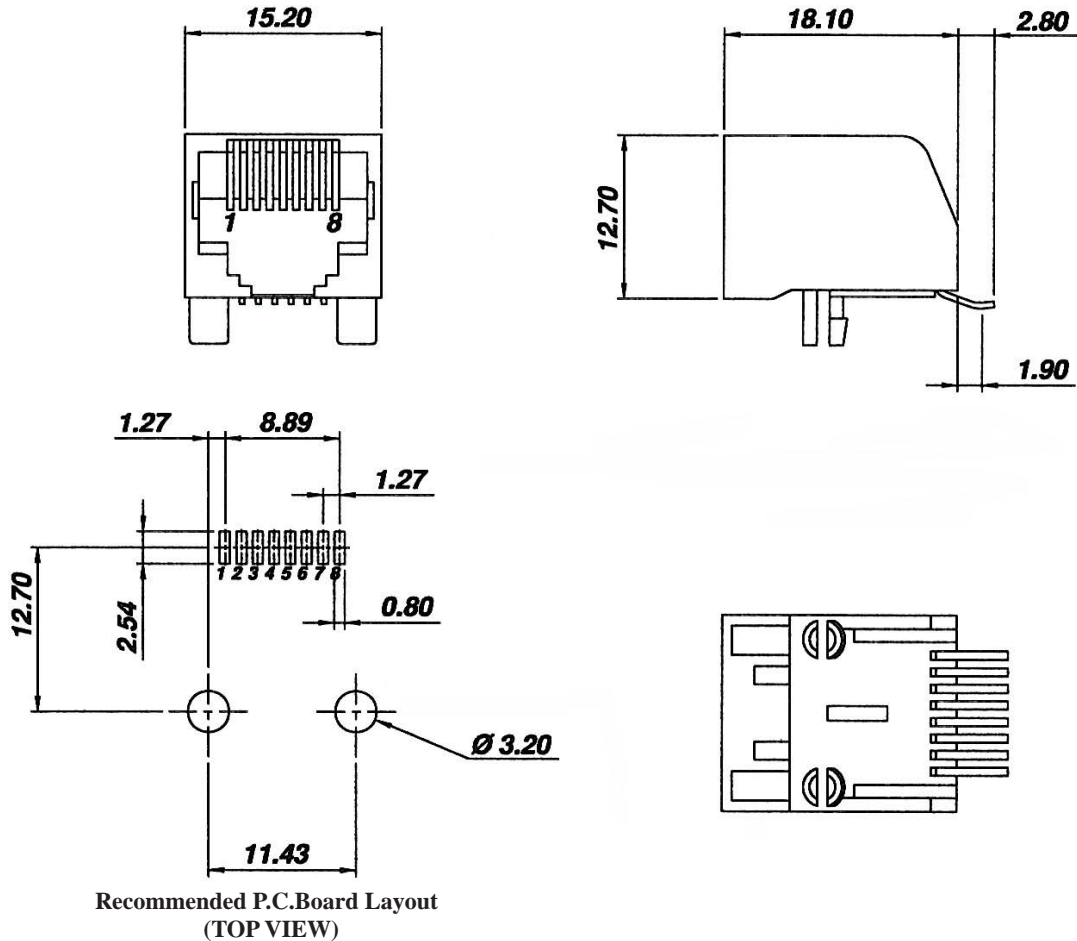
Soldering Temperature: 260°C

Color: Black

Spring Wire: Phosphor Bronze

Gold plating Over Nickel

All materials must be RoHS compliant.



ORDERING INFORMATION:

P/N M J R N - $\frac{88}{1} \times \frac{B}{2} - \frac{x}{3}$

1. NO. OF POSITIONS & CONTACTS:

"88" 8P8C

2. CONTACT FINISH:

"A" 6 MICROINCH GOLD

"B" 15 MICROINCH GOLD

"C" 30 MICROINCH GOLD

"D" 50 MICROINCH GOLD

3. PACKAGE OPTION:

" " TRAY

"R" TAPE & REEL