

Case with cooling fins: Embedded case



contents of delivery: 1 = 1 x case profile; 2 = 2 x cover panel; 3 = 1 x bottom panel; 4 = mounting material

- universal cooling fin case made of aluminium extruded profile, cover panels in 2 mm thickness and removable bottom panel
- optimized heat dissipation by means of external cooling fins
- the integrated T-grooves in the case profile for mounting of i.e. mainboards in the Mini-ITX or NUC form factor by means of distance, bolts and mounting plate also EBX, Nano ITX, EPIC, ETX/XTX and PC/104 form factors by means
- internal guide grooves for inserting PCBs or mounting plates
- wall-, ceiling- or top-hat rail mounting by means of fixing straps or top-hat rail mounting from the bottom
- special designs, embedded cover panels, machinings, surfaces and printings upon request

<p>art. no.</p> <p>EMB 135 ...</p>		
<p>art. no.</p> <p>EMB 175 ...</p>		
<p>please indicate:</p> <p>... $\left[\begin{array}{c} \text{---} \\ \text{---} \end{array} \right]$ 105 150 200 250 mm</p> <p>... surface</p> <p>SA = black anodised</p> <p>ME = natural colour anodised</p> <p>MS = case profile SA, cover panels ME</p> <p>... way of fixation (optional)</p> <p>KL = fixing of mounting rail</p> <p>LS = mounting strap set</p> <p>... accessories (optional)</p> <p>BL = bottom panel with ventilation slots</p>		

* accessories mounting set BFS → M 50

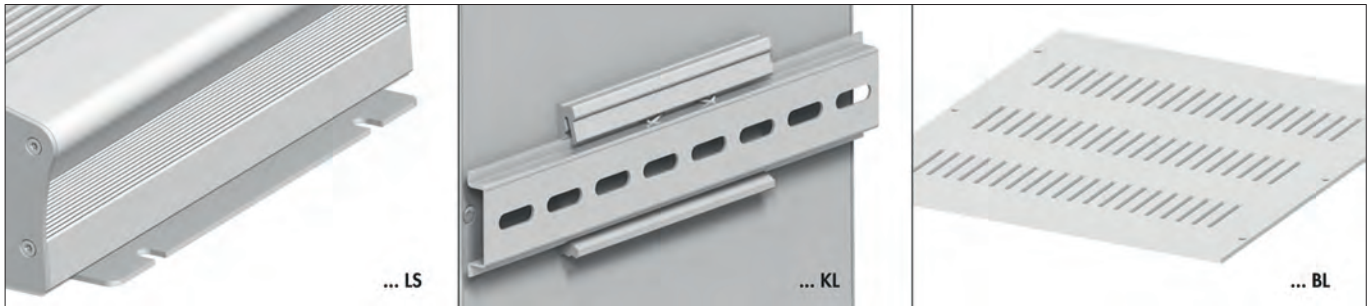
Profile sold by the metre → M 57

Case with cooling fins: Embedded case

art. no.		
EMB 215 ...		
please indicate:	... $\left[\begin{array}{c} \text{---} \\ \text{---} \end{array} \right]$ 150 200 250 mm	... surface SA = black anodised ME = natural colour anodised MS = case profile SA, cover panels ME
	... way of fixation (optional) KL = fixing of mounting rail LS = mounting strap set	... accessories (optional) BL = bottom panel with ventilation slots

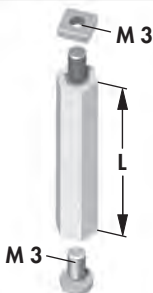
* accessories mounting set BFS → M 50

Profile sold by the metre → M 57



Accessory for the embedded case

– accessory for the embedded case, insulating

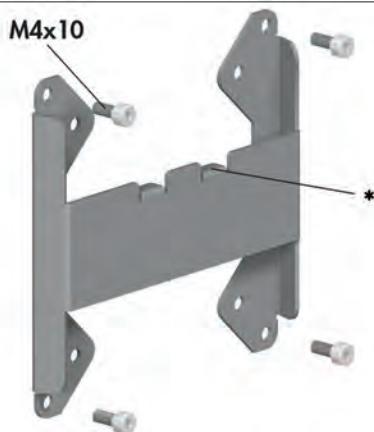


art. no.	dim. [mm] L	art. no.	dim. [mm] L	art. no.	dim. [mm] L
BFS 15	15	BFS 25	25	BFS 35	35
BFS 20	20	BFS 30	30	BFS 40	40

Monitor bracket

– suitable for VESA MIS-D 75/100

* suitable for mounting rail KL 35 100



art. no.	details
MH 135 ...	for EMB 135 ... KL & EMB 175 ... KL
please indicate:	... surface SA = black anodised ME = natural colour anodised