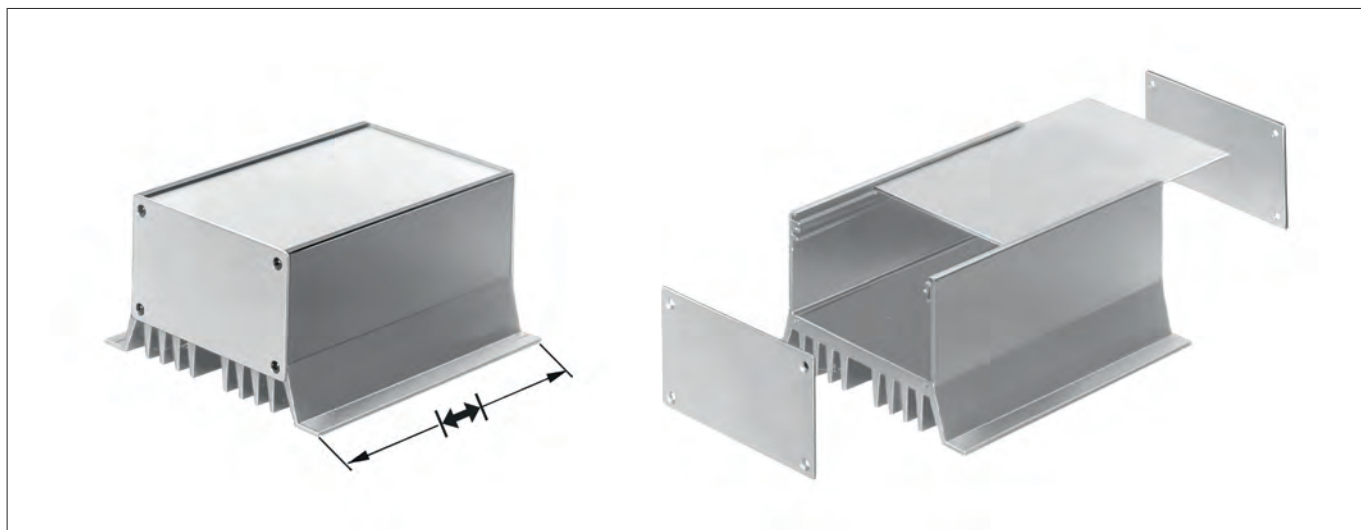
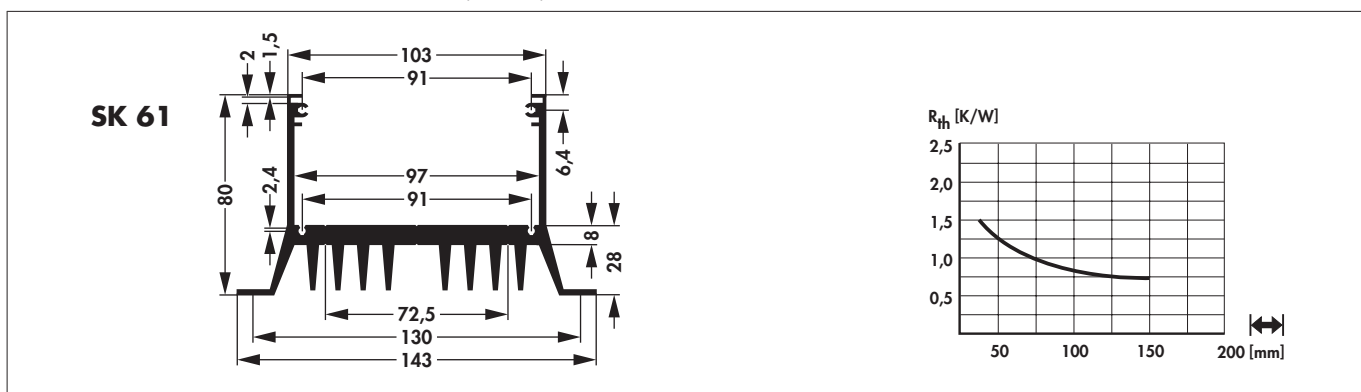


Heat dissipating case



- solid profile case with integrated cooling fins; extendable cover panel and screwmounted 2 mm cover panels
- further dimensions and surface treatments upon request



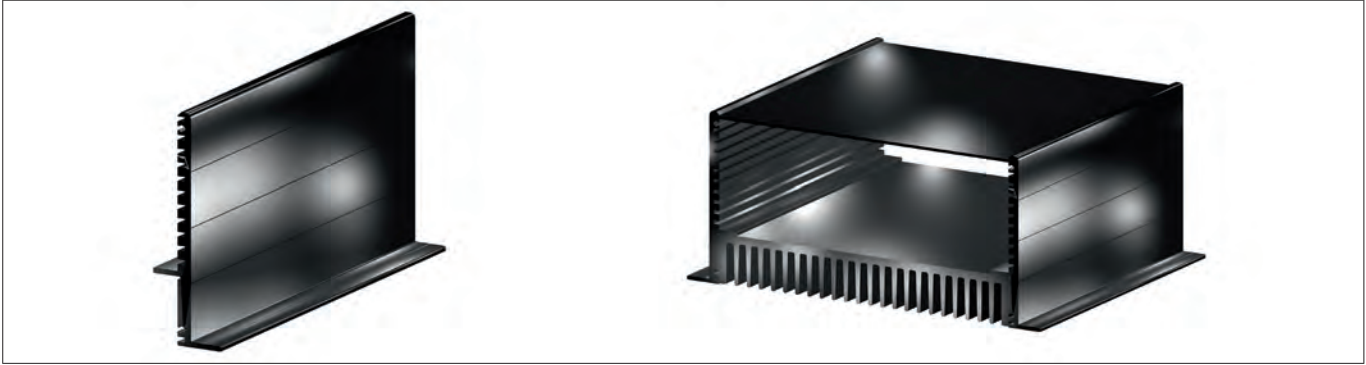
art. no.	dim. [mm]
<b>WAG 100 ...</b>	100
<b>WAG 120 ...</b>	120
<b>WAG 160 ...</b>	160
<b>WAG 200 ...</b>	200
<b>WAG 220 ...</b>	220
please indicate: ... surface SA = black anodised ME = natural colour anodised	

Profile sold by the metre → M 57



Heat dissipating case

Side panel profile for heat dissipation case



- solid side panel profile for assembly of cooling cases with cooling profiles
- integrated guide slots in 5.08 mm grid spacing (1 HP)
- with **M 3** fixing threads for cover panels
- special dimensions, drillings and surface treatments upon request
- **suitable for:**  
**SK 42, SK 94, SK 113, SK 118, SK 119, SK 132, SK 136, SK 166, SK 198, SK 410, SK 421, SK 439, SK 463 ...u. a.**
- the cooling profiles can also be cut in fin direction, thus the cases are available in different widths

<b>art. no.</b>		
	G 118	
<b>G 118 ...</b>		
<b>please indicate:</b>	... <b>100 150 200 mm</b>	<b>... surface</b> <b>SA = black anodised</b> <b>ME = natural colour anodised</b>

Profile sold by the metre → M 57